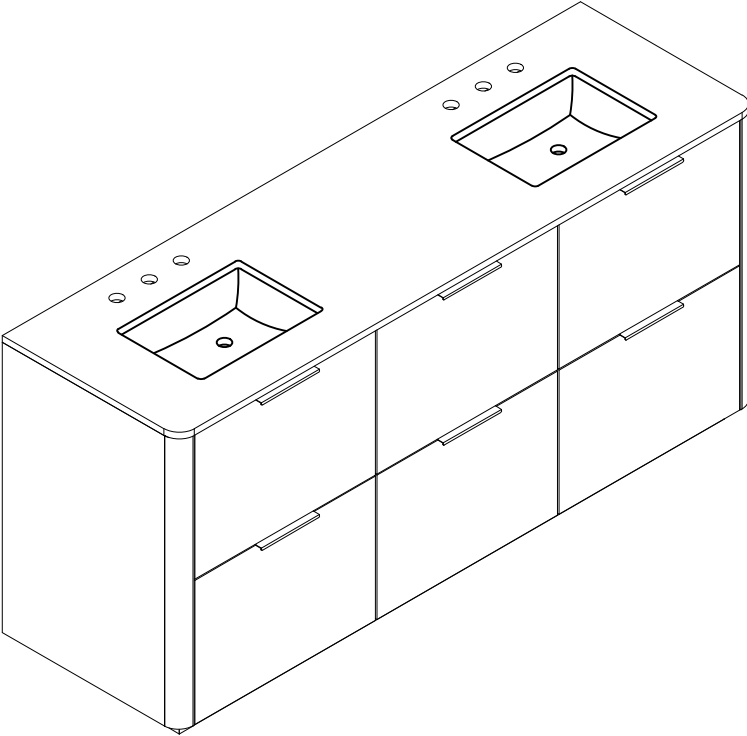


# 72" DOUBLE SINK VANITY

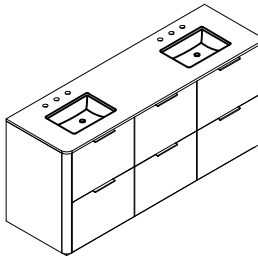
Assembly Instructions



Every thing we make is incredibly simple to set up, including your new vanity. You won't need any additional tools.

## Parts List

A x 1  
MAIN BODY



To remove the drawers, detach the male slide from the female slide by pressing up on the tabs and pulling the drawers forward. To reattach the drawers, align the male slides with the female slides and push the drawers in gently.

