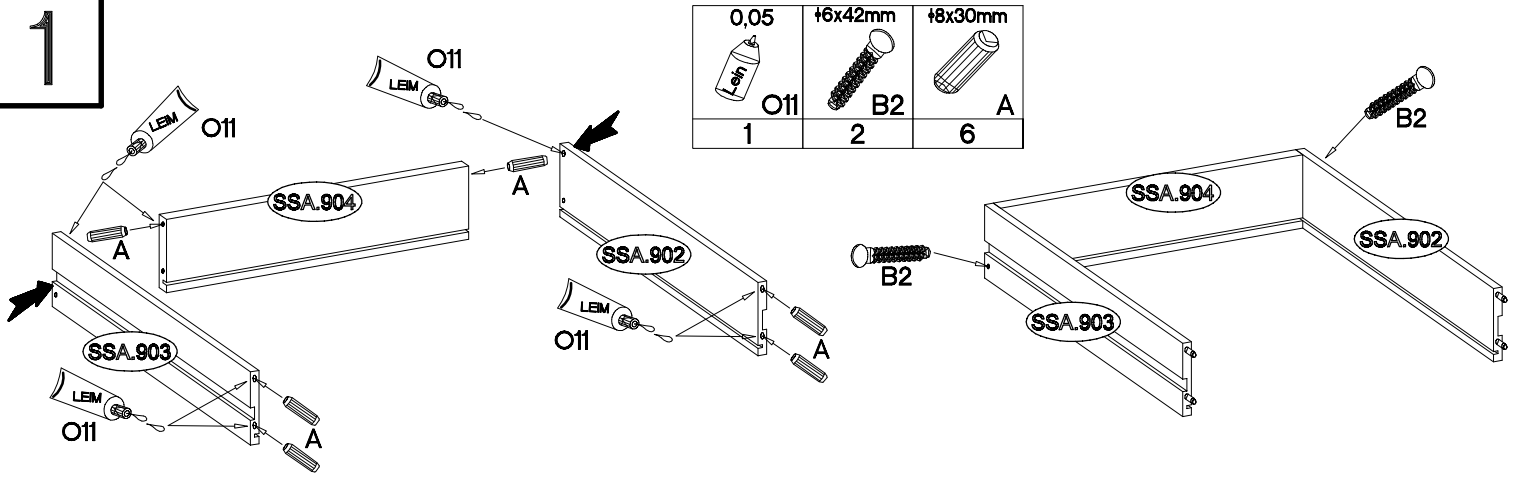


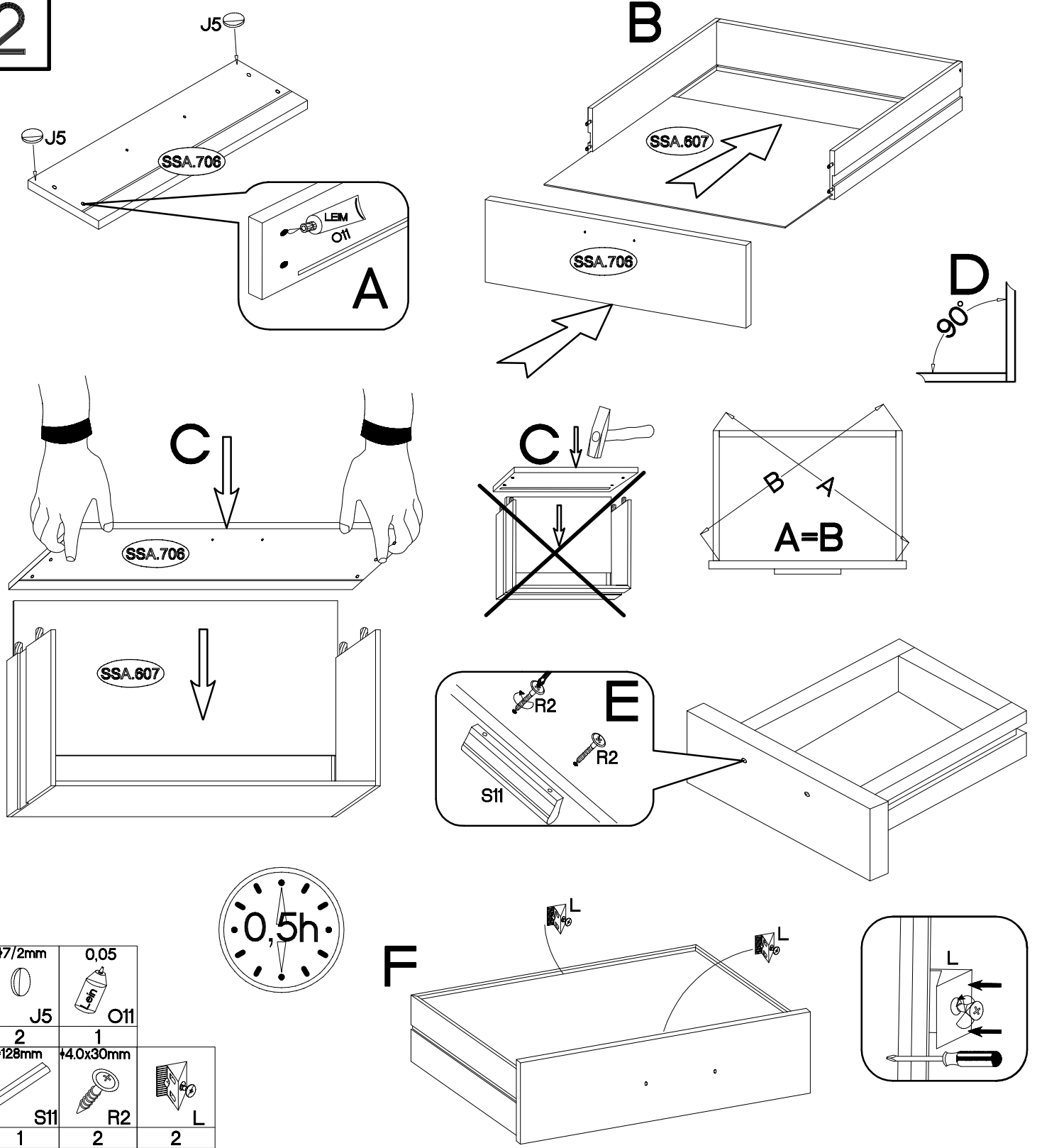
3B :

+15/12mm	+8x30mm	+7/3mm	+4.0x12mm			+10x50mm			+7/2mm	+6x42mm	L=20mm
C	A	J7	R5	J3	J12	O7	L2	J15	J5	B2	D2
16	22	8	8	4	8	2	10	8	8	2	16
+4.0x25mm		+3.5x13mm			+6.3x13mm	27/310mm		M4x9mm	+3.0x20mm	0,05	
P14	F10	P5	L	E	M2	I4	L9	U1	P7	O11	
6	6	2	12	12	4	1	2	2	10	1	

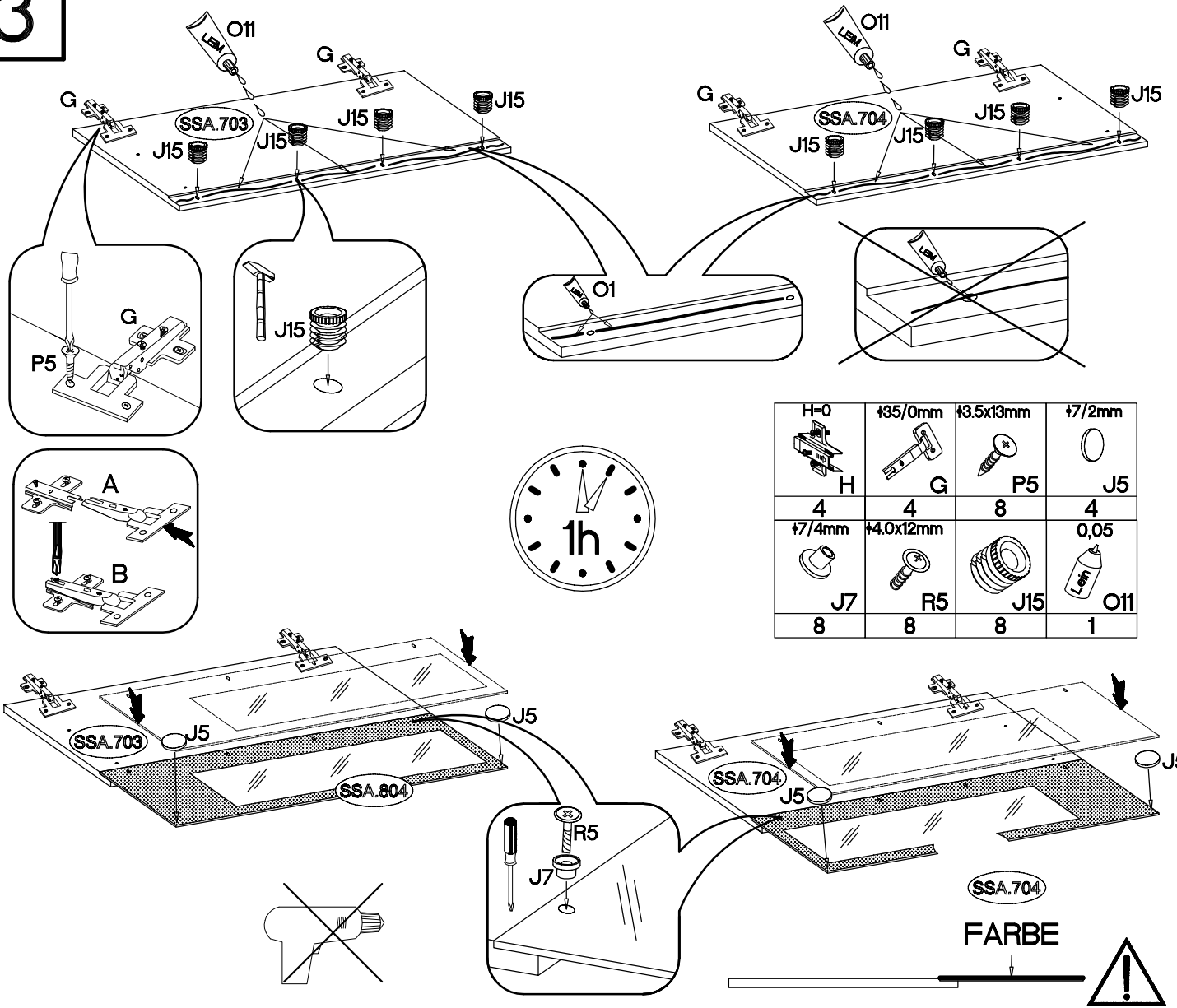
1



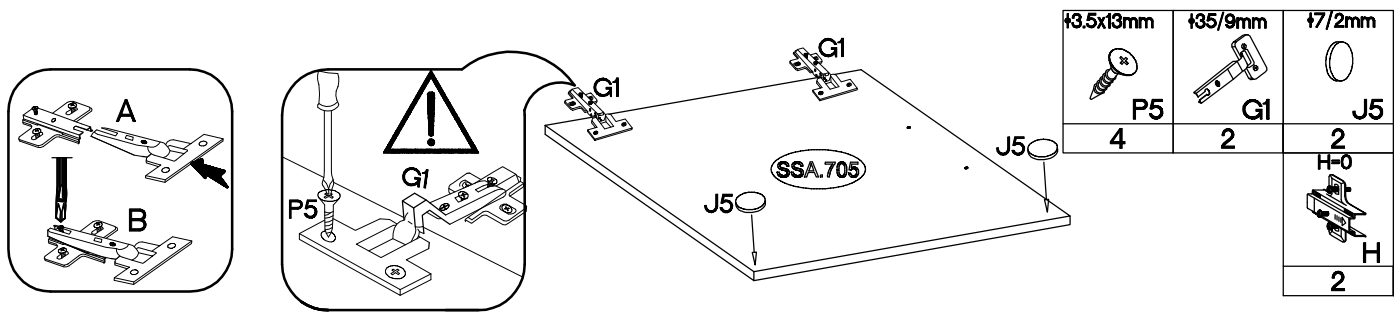
2



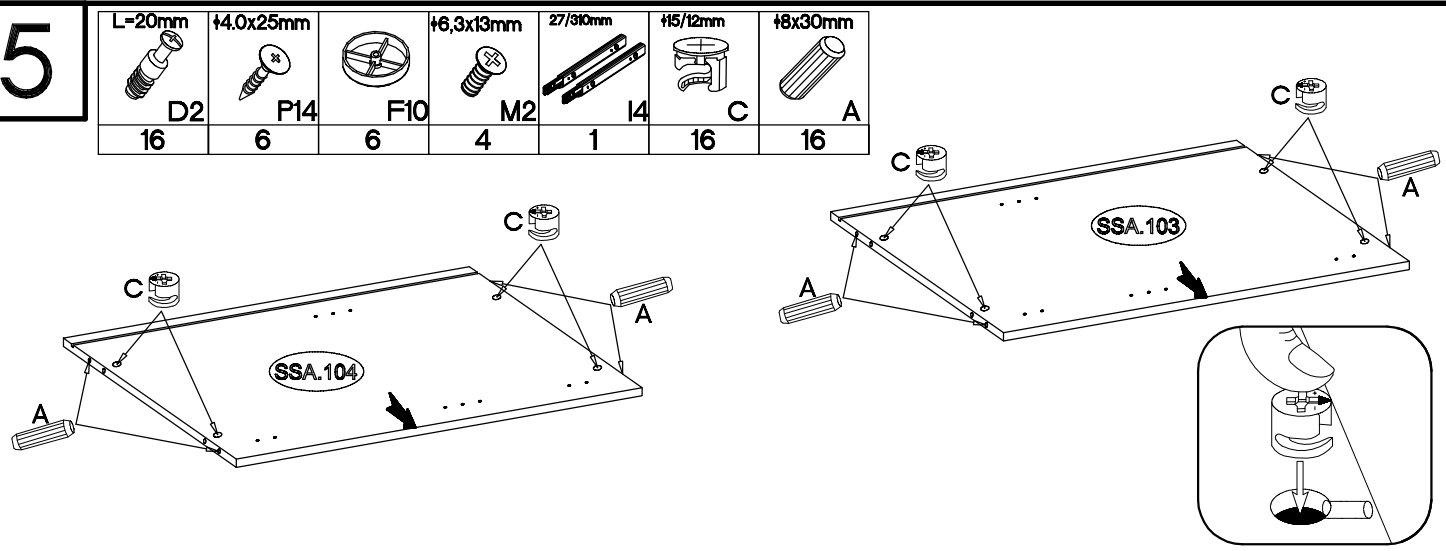
3

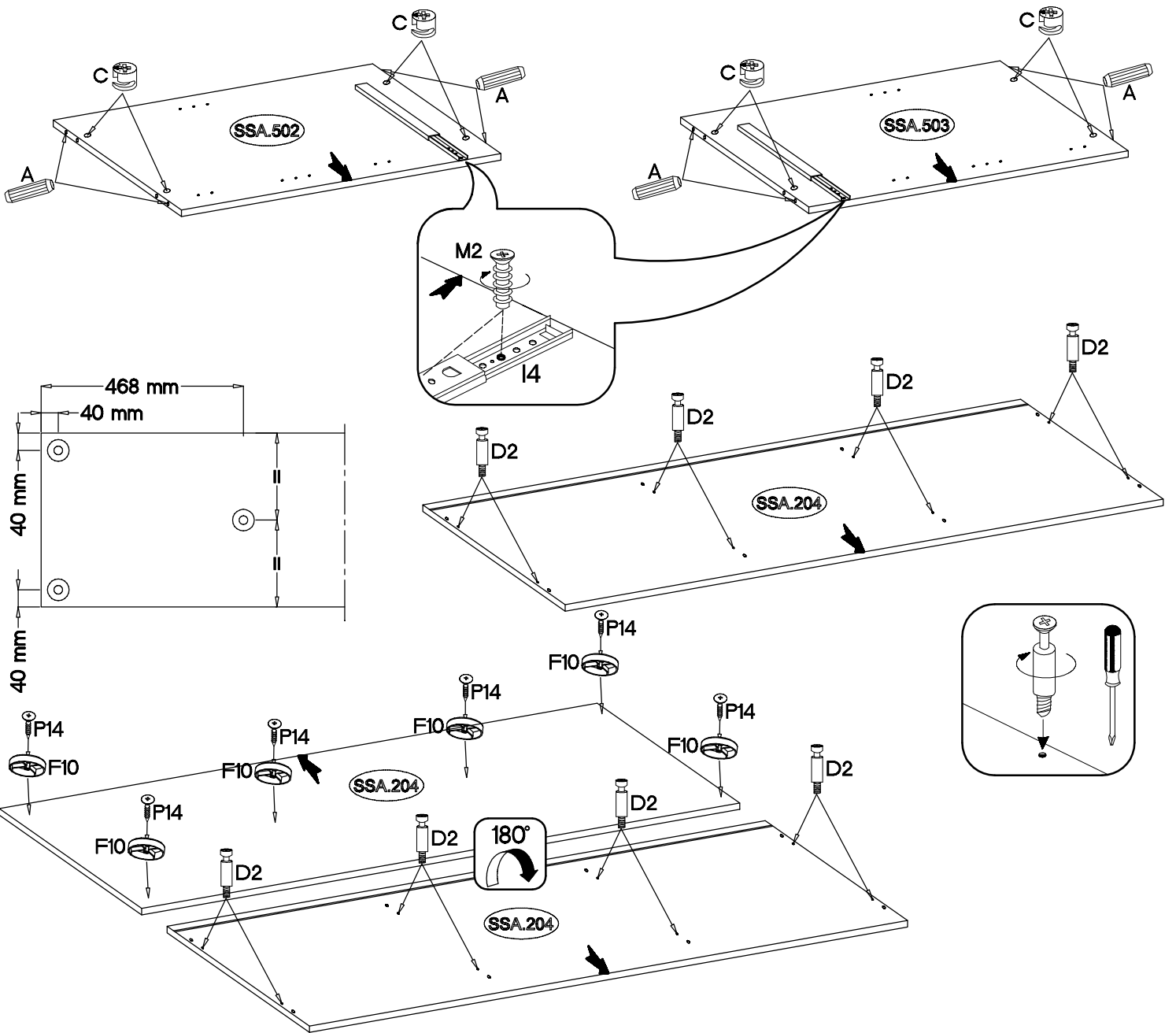


4

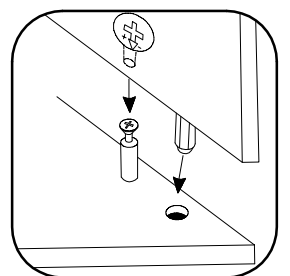
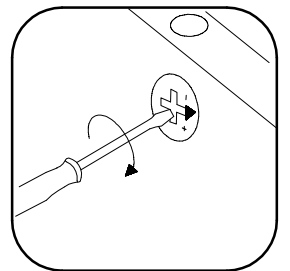
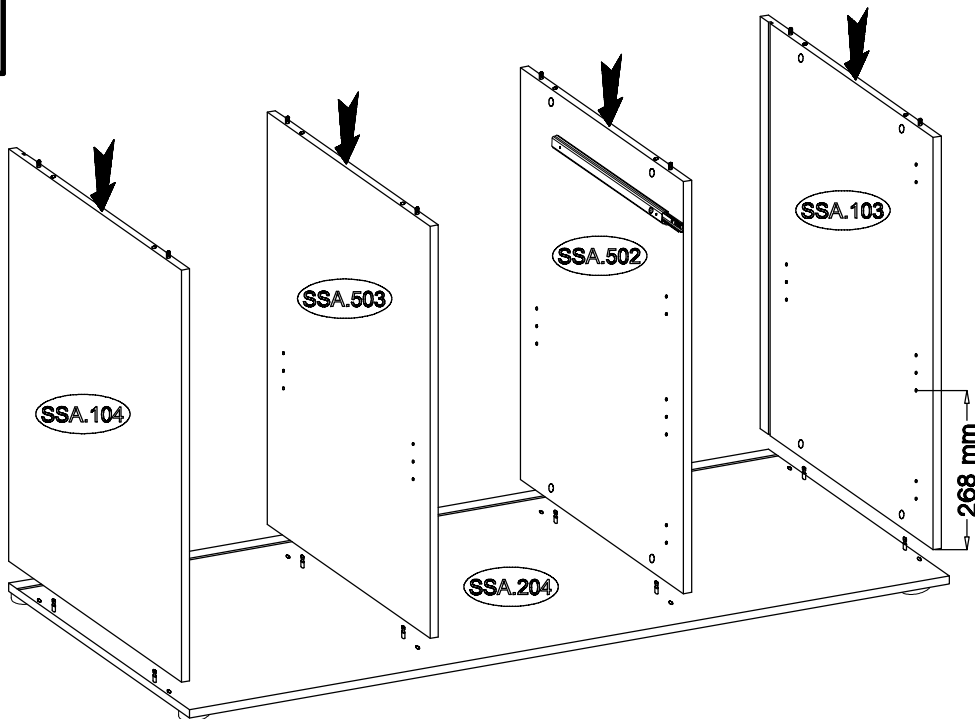


5

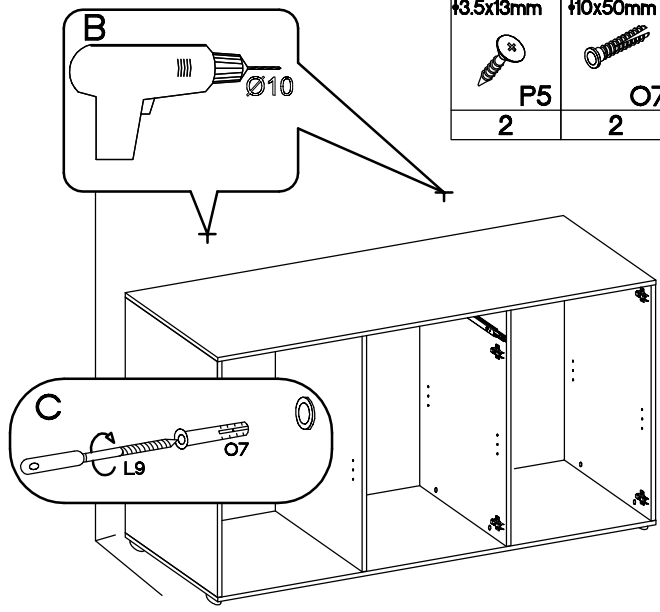
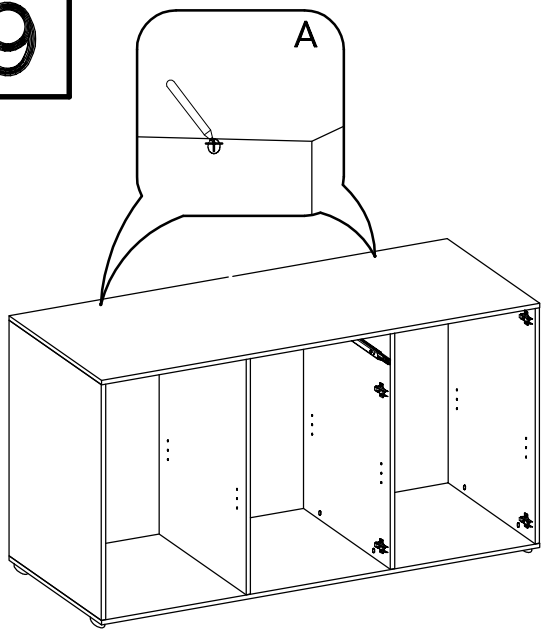




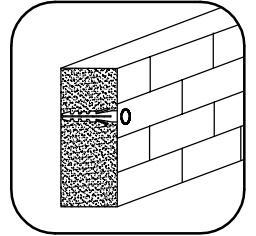
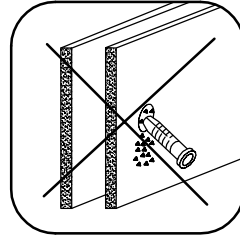
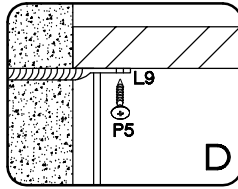
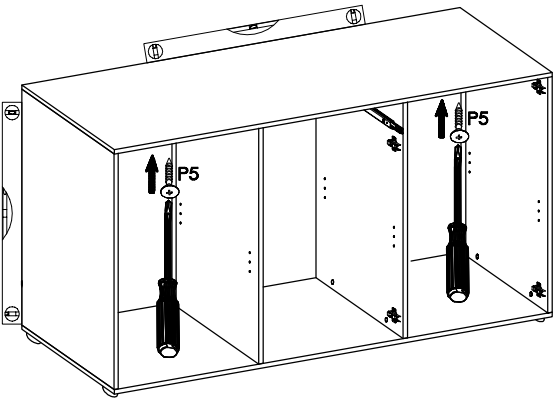
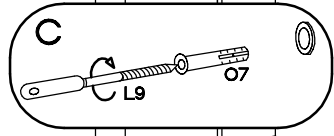
6



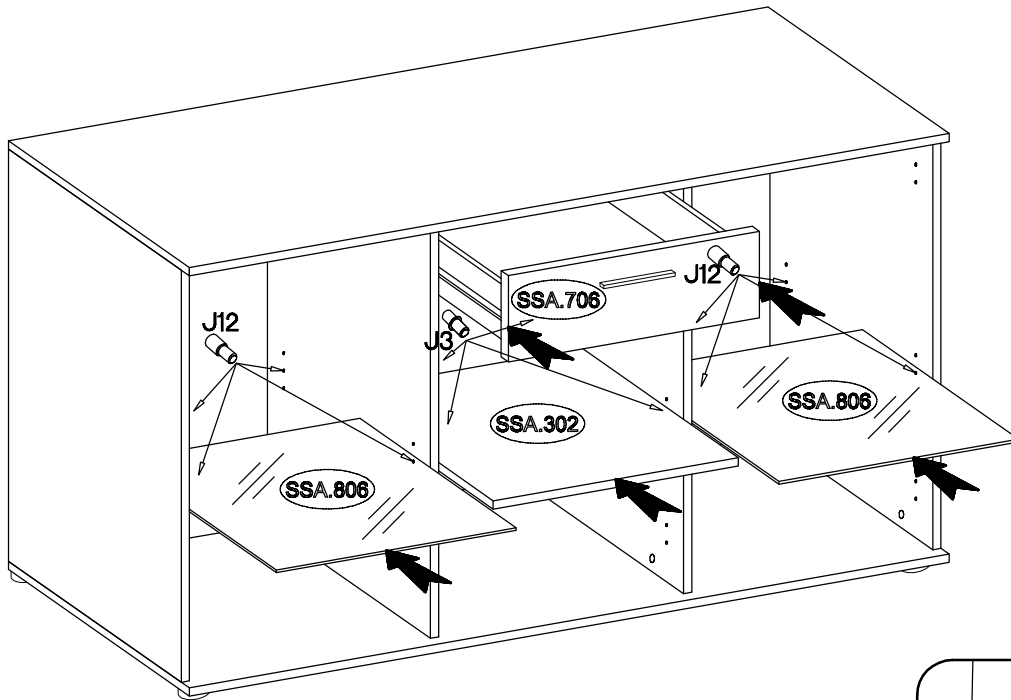
9



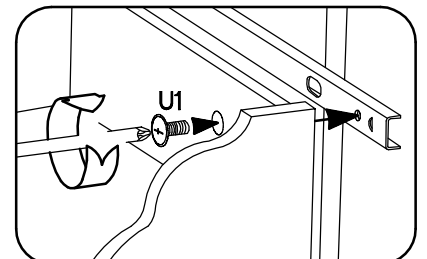
 P5 2	 O7 2	 L9 2
-------------	-------------	-------------

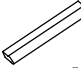




10



 J3 4	 J12 8	 U1 2
-------------	--------------	-------------



L=128mm 	4.0x30mm 	
S11	R2	E
3	6	12

