

Pacific Bay Limited Lifetime Warranty

Pacific Bay products have been manufactured under the highest standards of quality and workmanship. Pacific Bay warrants to the original purchaser for as long as the original purchaser owns their home that this faucet will be leak- and drip-free during normal use and that all parts and finishes of this faucet will be free from defects in material and manufacturing workmanship. If the faucet is used commercially Pacific Bay warrants the faucet to be free from defects in material and workmanship for (5) years from the date the faucet was purchased. Plated metal and plated plastic finishes are warranted for (1) year.

If the faucet should develop a leak or drip during the warranty period, Pacific Bay will, free of charge, provide the parts necessary to put the faucet back into good working condition by you. They may also replace any part or finish that proves defective in material and manufacturing workmanship, under normal installation, use and service free of charge. Proof of purchase (original sales receipt) from the original purchaser must accompany all warranty claims. Defects or damages caused by the use of other products or parts is not covered by this warranty. If repair or replacement is not practical, Pacific Bay may elect to refund the purchase price in exchange for the return of the product.

This warranty covers replacement of all defective parts and finishes. However, damage due to product abuse, product misuse, installation error, or the use of cleaners containing alcohol, abrasives, or other solvents, whether performed by a contractor, service company, or yourself will void this warranty. Pacific Bay will not be responsible for labor charges and/or damages incurred in installation, repair or replacement, nor any indirect, incidental or consequential damages, losses, injury costs of any nature relating to this faucet. Except as provided by law, this warranty is in lieu of and excludes all other warranties, conditions and guarantees, whether expressed or implied, statutory or otherwise, including without restriction those of merchantability or of fitness for use.

Pacific Bay will advise you on how to proceed in making warranty claims. To begin a warranty claim, write to Pacific Bay explaining the defect and include proof of purchase and your name, address and telephone number. Email is info@pacificbayfaucets.com.



PB-L04 – Lynden Bathroom Faucet



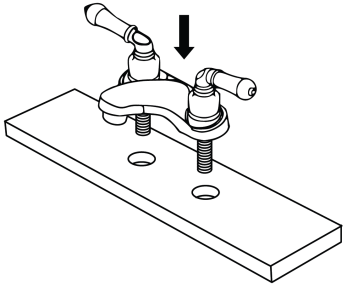
INSTALLATION OF THE FAUCET

1 New Faucet Preparation

Completely shut off the water supply. Remove the old faucet by disconnecting it from the water supply tubes under the sink and unscrewing the faucet from the counter top by removing the mounting nuts. Clean the sink's top surface in preparation for installation of the new faucet.

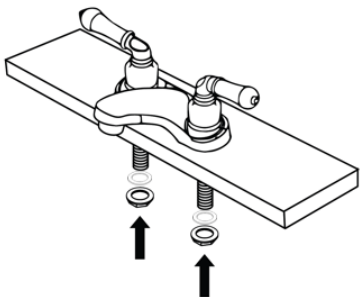
2 Install Faucet onto Sink Top

Place the faucet in position on the sink top. *Optional: use silicone under the base plate for an ultra water tight seal.*



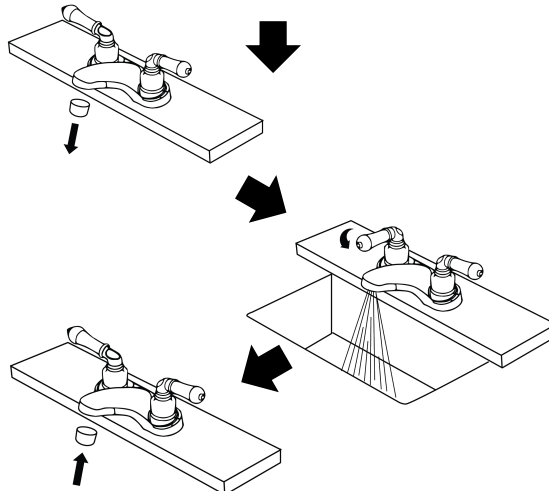
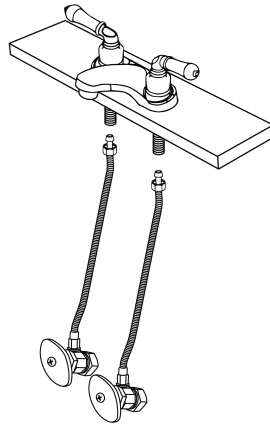
3 Install Faucet Under Sink

Screw the provided locknuts and washers upward from under the sink onto faucet connectors using your hands only. Tighten the nuts alternating until they are nearly flush with the underside of the sink top. Then, align the faucet as desired. While maintaining set alignment, tighten down the locknuts to lock the faucet into place. Attach the water supply lines to the faucet by tightening the nuts. Do not overtighten.



4 Connect to Water Supply

Last step is to remove the aerator and connect the water supply lines. Turn the water on and allow both the hot and cold water to run for 30 to 60 seconds. While the water is running, check for leaks around and under the sink. Turn the water off and reattach the aerator, your new Pacific Bay faucet is ready to use.



MAINTENANCE AND CLEANING

Cleaning Tips: The finish on your product is designed to retain its beautiful sheen for years. To maintain the original look of the finish, a little care and caution should be used. We recommend the use of mild soap and water to clean the product.

THE USE OF ABRASIVE CLEANERS MAY SCRATCH THE FINISH OR CAUSE OTHER DAMAGE.

RECOMMENDED TOOLS AND MATERIALS

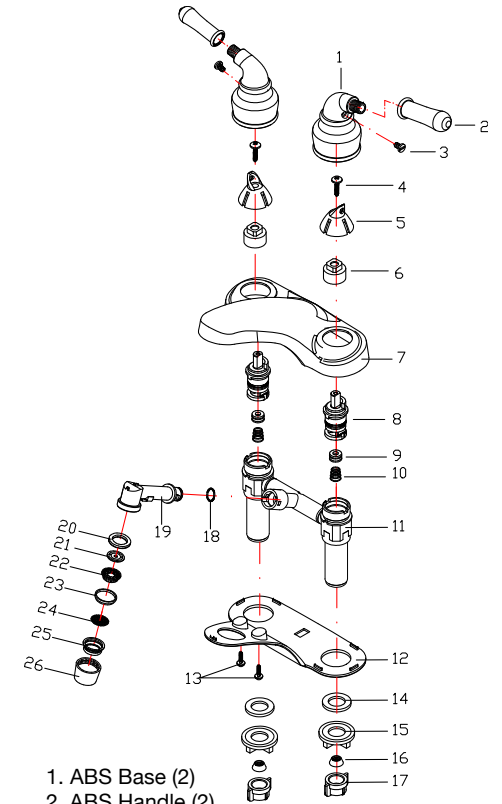
- ◆ Adjustable Wrench
- ◆ Plumbers Tape (Thread Seal Tape)

BEFORE YOU BEGIN

There are a variety of things to do before installing any new plumbing system into your home or residence. Before you begin work make sure you:

- ◆ Shut off the main water supply
- ◆ Cover your drain to prevent loss of parts
- ◆ Observed any local plumbing codes
- ◆ Inspect fixture for damage - Replace as necessary

* Pacific Bay reserves the right to make any revisions in the design of products without notice.



1. ABS Base (2)
2. ABS Handle (2)
3. POM Bolt (2)
4. Stainless Screws (2)
5. POM Inner Sleeve (2)
6. POM Nut (2)
7. ABS Escutcheon
8. POM/Rubber/Stainless Mandrel (2)
9. Rubber Washer (2)
10. Stainless Spring (2)
11. POM/Rubber Body
12. PP Base Plate
13. Stainless Screw (2)
14. Rubber Washer (2)
15. ABS Mounting Nut (2)
16. Rubber Washer (2)
17. ABS Coupling Nut (2)
18. Rubber O-Ring
19. ABS Outlet
20. Rubber Washer
21. POM Flow Restrictor
22. POM Filter Nut
23. POM Ring
24. Stainless Filter
25. POM Filter Seat
26. ABS Aerator Nut