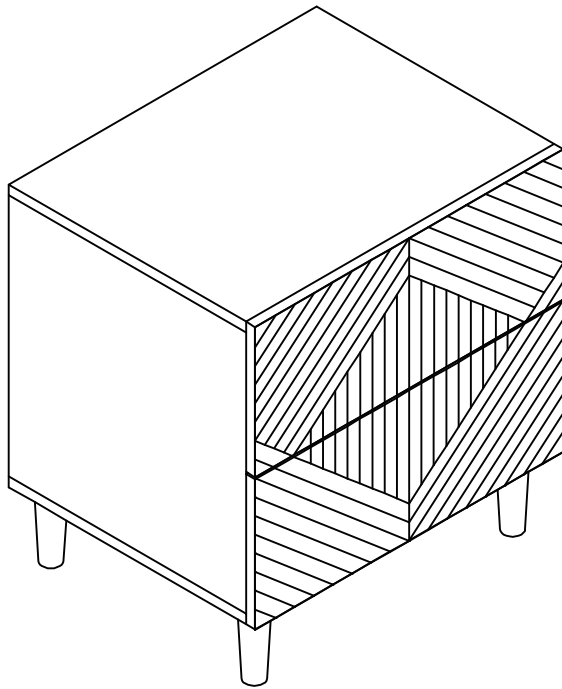


Instruction manual

50cm Bedside Table



CONTENTS

Safety and care advice	1
Components	2
Assembly instructions	5
Copyright	13

⚠ SAFETY AND CARE ADVICE ⚠

PLEASE READ THESE INSTRUCTIONS CAREFULLY AND KEEP FOR FUTURE REFERENCE

- **Warning:** This unit weighs approximately 15.5kgs. Please lift with care.
- Check you have all the components and tools listed on pages 2 and 3.
- Remove all fittings from the plastic bags and separate them into their groups.
- Keep children and animals away from the work area, small parts could choke if swallowed.
- Make sure you have enough space to lay out the parts before starting.
- Do not stand or put weight on the product, this could cause damage.
- Assemble the item as close to its final position (in the same room) as possible.

- Assemble on a soft level surface to avoid damaging the unit or your floor (use opened out unit carton).



- We do not recommend the use of power drill/drivers **for inserting screws**, as this could damage the unit. Only use hand screwdrivers.
- Dispose of all packaging carefully and responsibly.

CARE AND MAINTENANCE

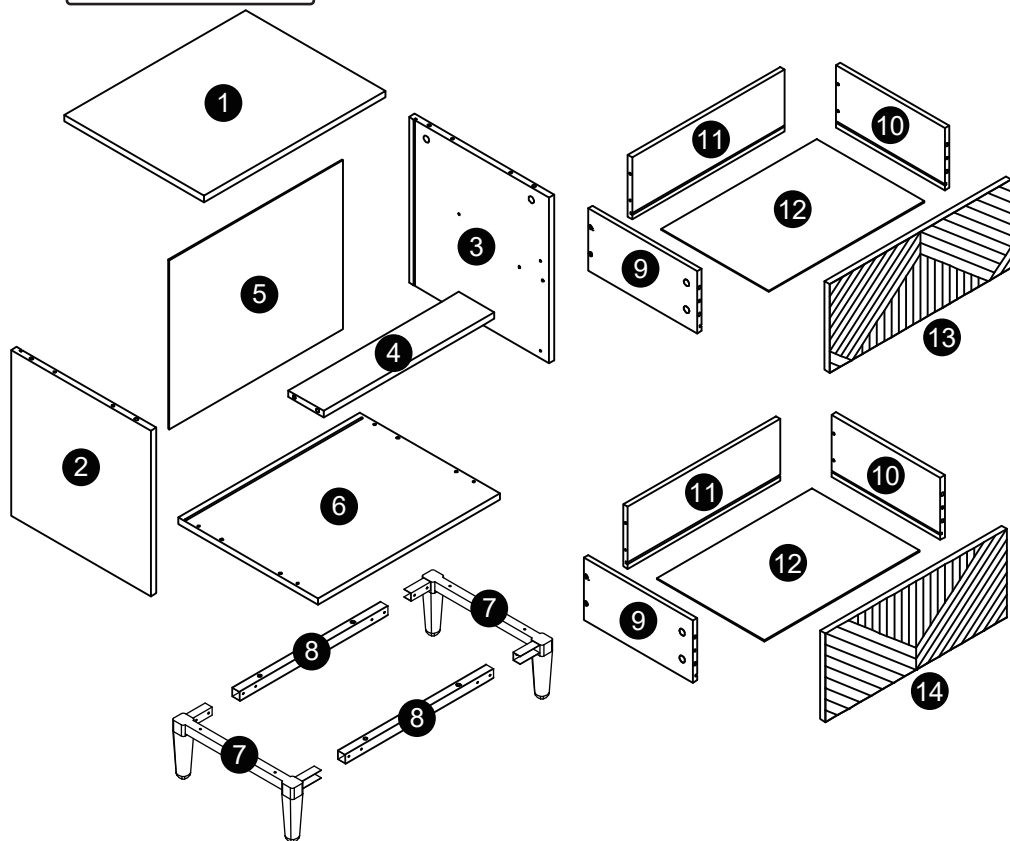
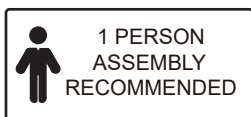
- Only clean using a damp cloth and mild detergent, do not use bleach or abrasive cleaners.
- From time to time check that there are no loose screws on this unit.

- This product should not be discarded with household waste. Take to your local authority waste disposal center.

Note *If required the next page can be cut out and used as reference throughout the assembly. Keep this page with these instructions for future reference.*

COMPONENTS

Please check you have all the panels listed below:

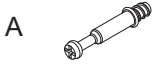


1	Top Panel	x1	8	Iron bar	x2
2	Left Side Panel	x1	9	Drawer Left Side Panel	x2
3	Right Side Panel	x1	10	Drawer Right Side Panel	x2
4	Support bar	x1	11	Drawer Back Panel	x2
5	Back Panel	x1	12	Drawer Bottom Panel	x2
6	Bottom Panel	x1	13	Drawer Front Panel	x1
7	Leg	x2	14	Drawer Front Panel	x1



COMPONENTS

Please check you have all the fittings listed below:



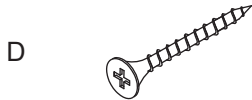
Metal Dowel x 16



Lock (Ø15x10mm) x 16



Wooden Dowel (Ø6x30mm) x 12



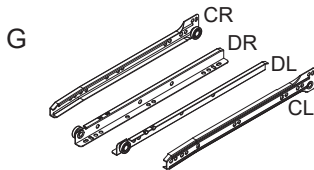
Screw (Ø4x35mm) x 4



Screw (Ø6x12mm) x 8



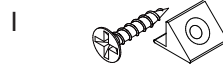
Screw (Ø6x30mm) x 8



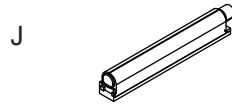
Drawer runner x 2



Screw (Ø3.5x12mm) x 16



Back Support x 4



Ejection switch x 2



Screw (Ø3x12mm) x 4



Screw (Ø4x30mm) x 8

TOOLS NEEDED
(We don't provide)



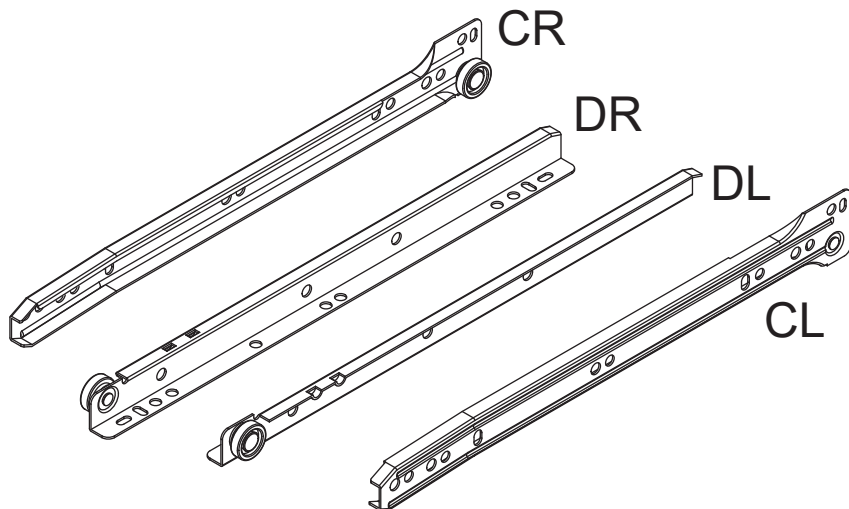
Phillips Screwdriver x 1



DRAWER RUNNER INSTRUCTION

⚠ IMPORTANT - Please read carefully - 1 Pair of drawer runners includes 4 pieces.

Part G includes CR\DR\DL\CL .

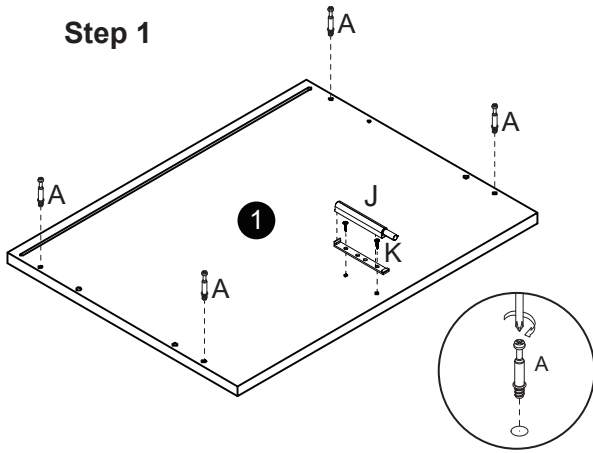


Fittings (not to scale)

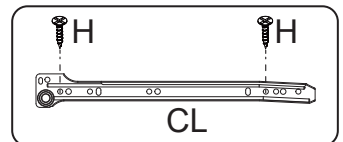
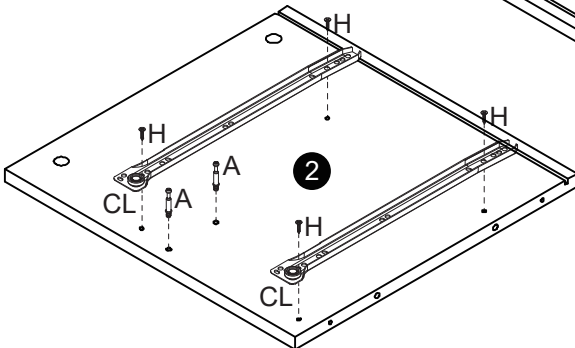
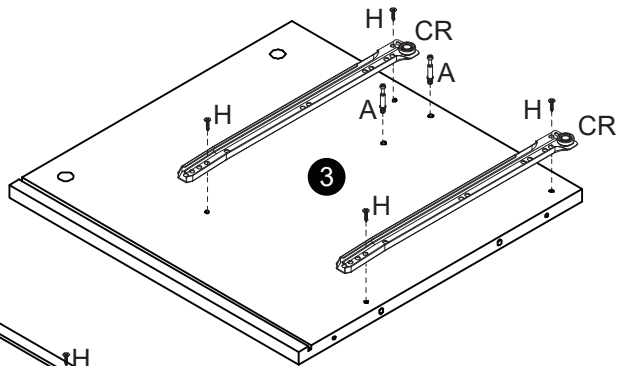
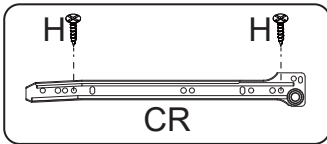
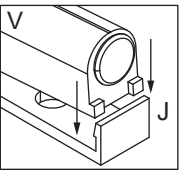
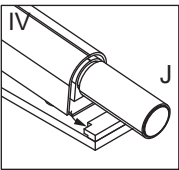
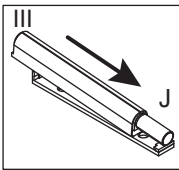
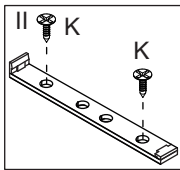
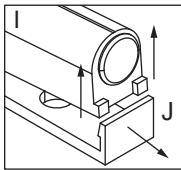
No.	Description	Qty	
CR	Outer Drawer Runner - Right	2	
CL	Outer Drawer Runner - Left	2	
DR	Inner Drawer Runner - Right	2	
DL	Inner Drawer Runner - Left	2	

ASSEMBLY INSTRUCTIONS

Step 1

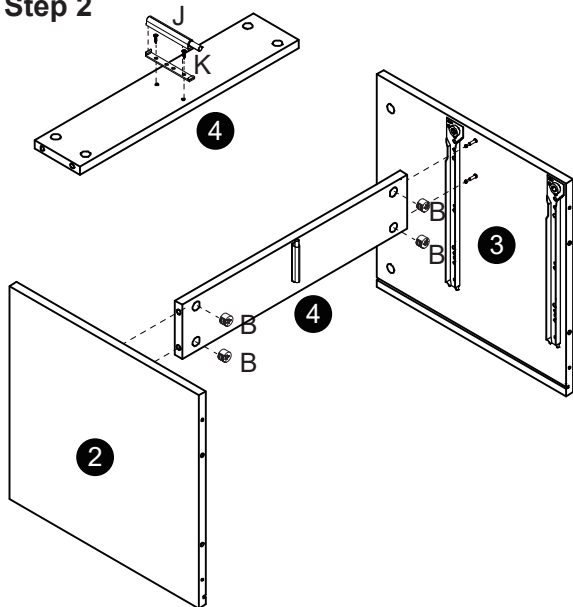




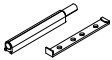

A		8	
H		8	
J		1	
K		2	
CR		2	
CL		2	



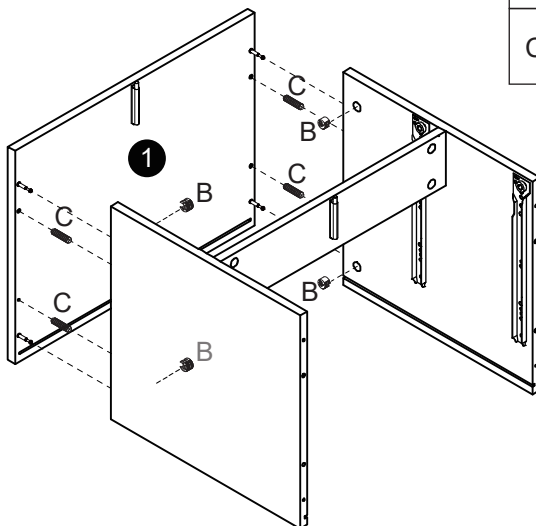
ASSEMBLY INSTRUCTIONS



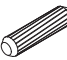
Step 2



B		4	
J		1	
K		2	

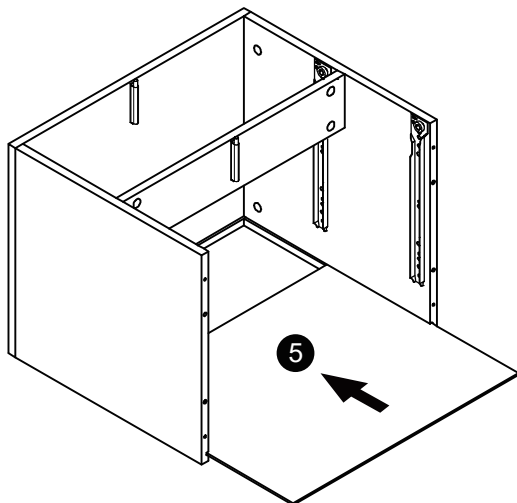
Step 3



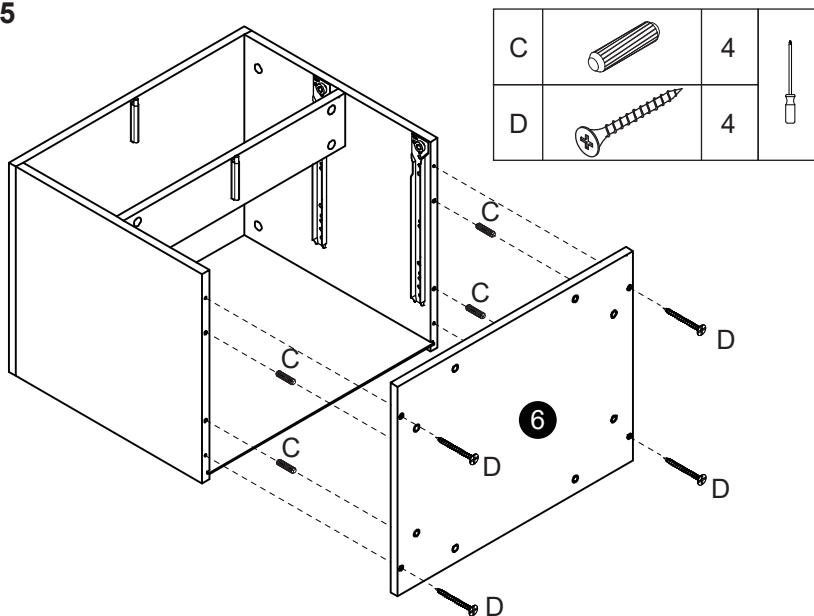
B		4	
C		4	

ASSEMBLY INSTRUCTIONS

Step 4

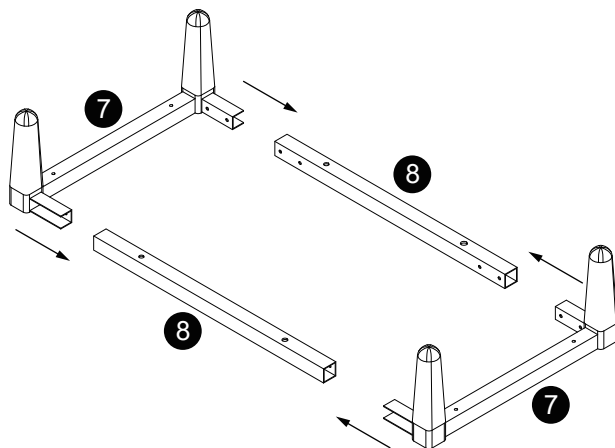


Step 5

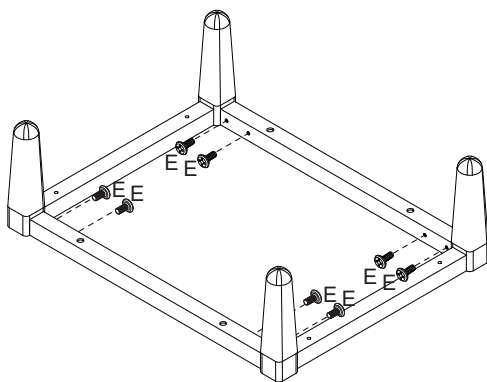
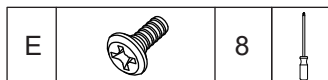


ASSEMBLY INSTRUCTIONS

Step 6

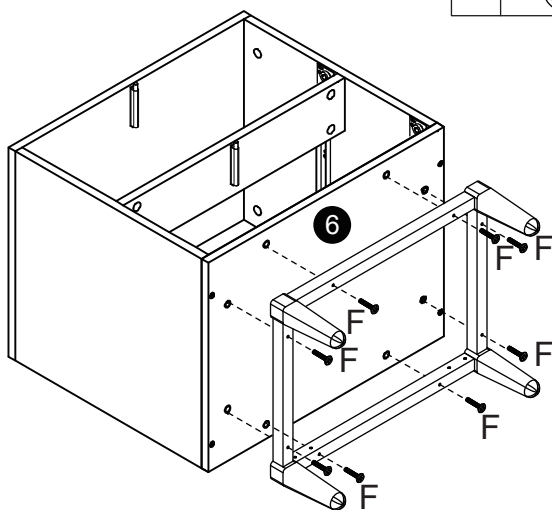
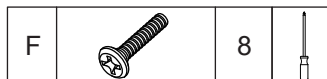


Step 7

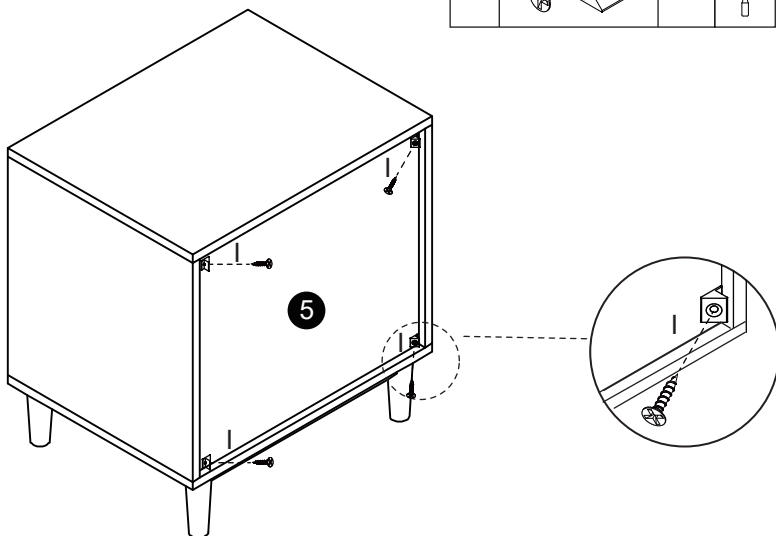
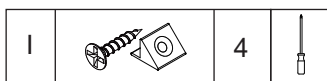


ASSEMBLY INSTRUCTIONS

Step 8

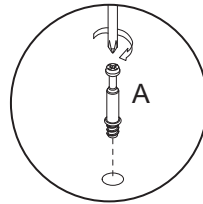
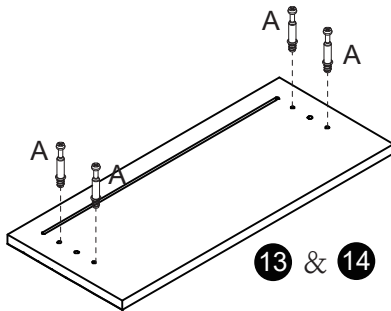
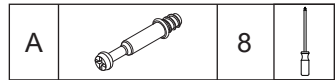


Step 9

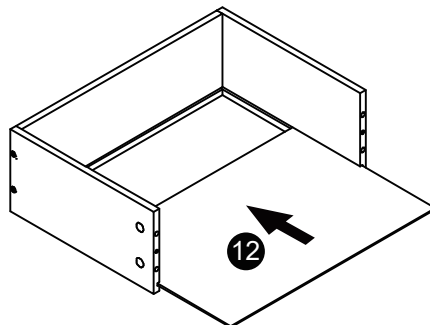
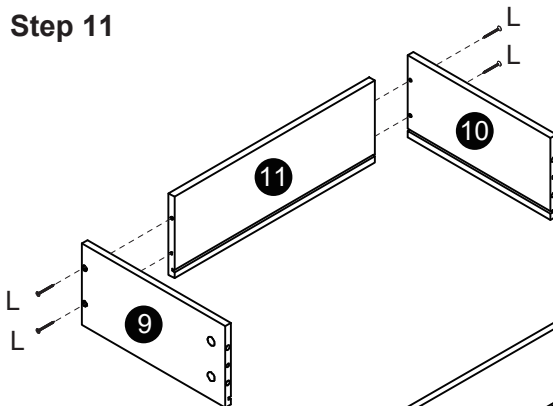
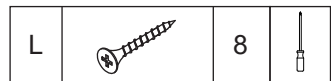


ASSEMBLY INSTRUCTIONS

Step 10



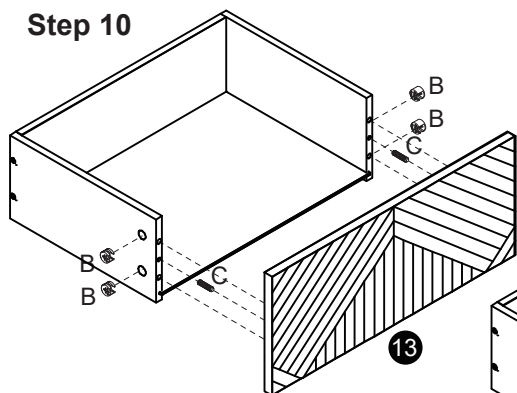
Step 11






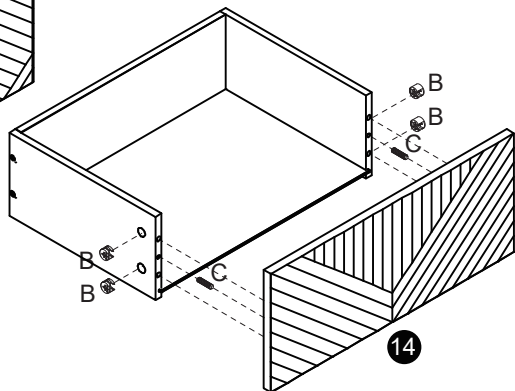
x2

ASSEMBLY INSTRUCTIONS

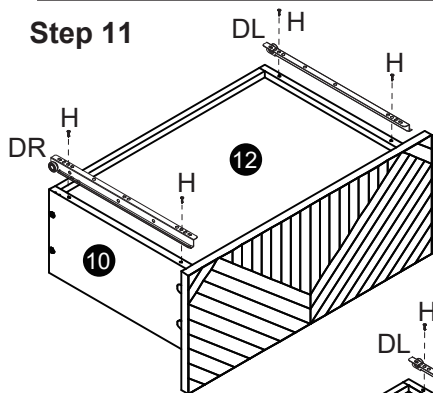
Step 10







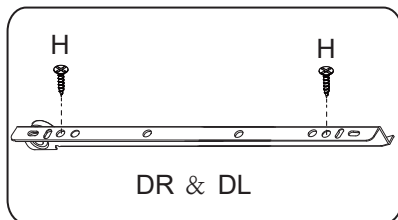
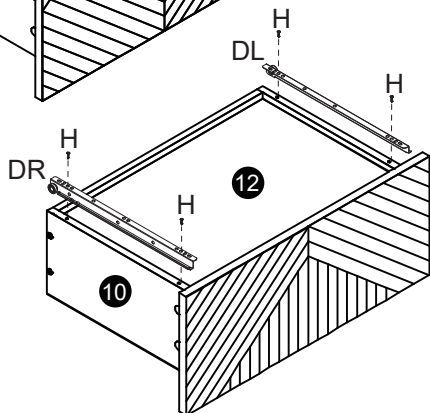
B		8	
C		4	



Step 11

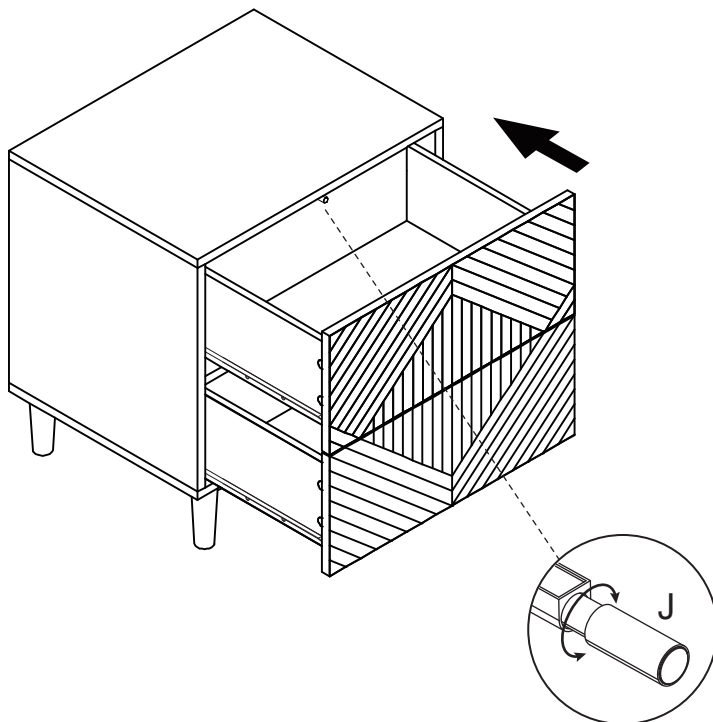


H		8	
DR		2	
DL		2	



ASSEMBLY INSTRUCTIONS

Step 12



Adjust the switch to make sure the drawer can be opening / closing successfully

IF YOU FIND A DEFECTIVE PART

We fully stock all parts and components. Any defective part can be quickly replaced. Take note of the defective part number in manual and we will arrange a quick replacement.

COPYRIGHT

All material in this instruction manual is copyrighted

Any unauthorised use may violate worldwide copyright, trademark and other laws.