

ASSEMBLY INSTRUCTIONS



COMPUTER DESK

ASSEMBLY INSTRUCTIONS

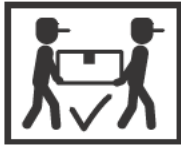
ASSEMBLY TIPS:

1. Remove hardware from box and sort by size.
2. Please check to see that all hardware and parts are present prior to start of assembly.
3. Please follow attached instructions in the same sequence as numbered to assure fast & easy assembly.



WARNING!

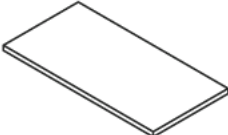

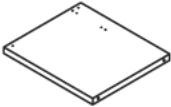

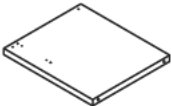


1. Don't attempt to repair or modify parts that are broken or defective. Please contact the store immediately.
2. This product is for home use only and not intended for commercial establishments.




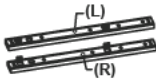
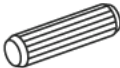





ASSEMBLY TIME

30 MINUTES

PARTS IDENTIFICATION

A	TOP PANEL		1 PC	E	KEYBOARD SHELF		1 PC
B	LEFT SIDE PANEL		1 PC	F	LEFT DIVIDER PANEL		1 PC
C	RIGHT SIDE PANEL		1 PC	G	RIGHT DIVIDER PANEL		1 PC
D	BACK PANEL		1 PC				

HARDWARE IDENTIFICATION




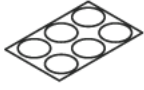

Z	NO	DESCRIPTION	FIGURE	Q'TY	NO	DESCRIPTION	FIGURE	Q'TY
	1	GLUE 15g		1 PC	5	RAIL L = 300mm SR		1 SET
	2	WOODEN DOWEL Ø 8x30mm		8 PCS	6	SCREW Ø 3.5x12.5mm SR		12 PCS
	3	CAM LOCK Ø 15x12mm SR		8 PCS	7	ADJUSTMENT FEET Ø 35x17.2mm		4 PCS
	4	CAM BOLT Ø 7x35.5mm SR		8 PCS	8	COUPLER		5 PCS

NOTE:

Phillips head screw driver is required in the assembly process; however, manufacturer does not provide this item.

Z

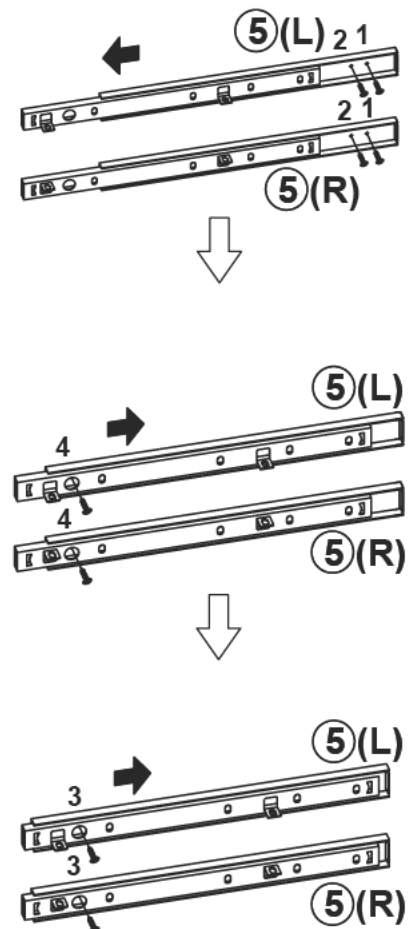
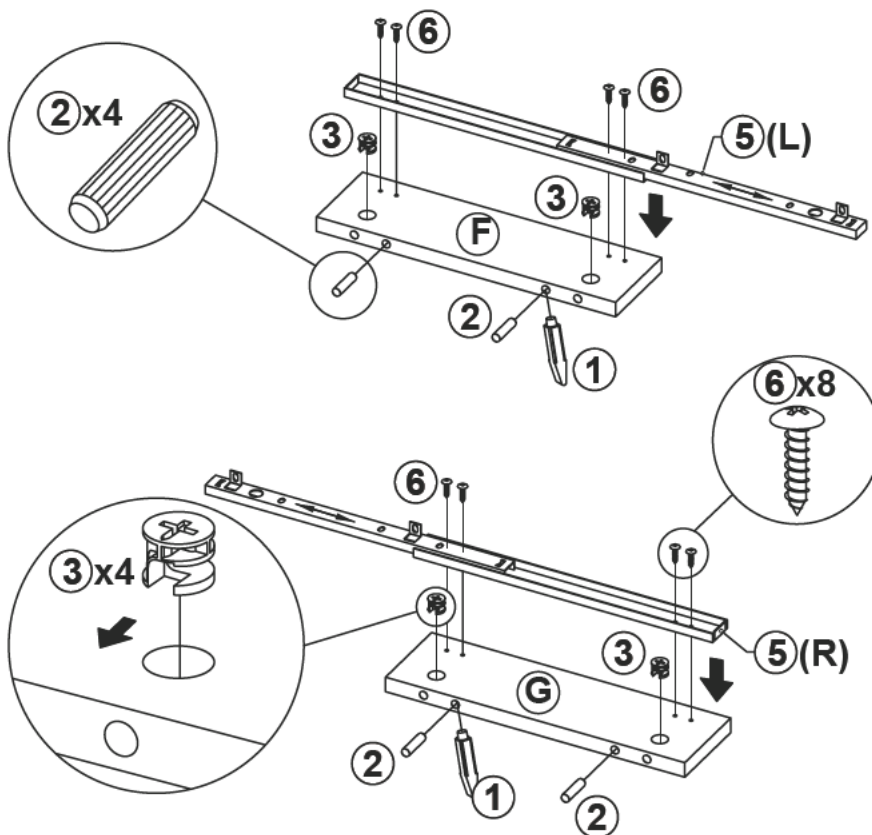
HARDWARE IDENTIFICATION

NO	DESCRIPTION	FIGURE	Q'TY	NO	DESCRIPTION	FIGURE	Q'TY
9	SCREW Ø 4.2x25.4mm RBW		10 PCS	12	BOLT Ø 6.2x18mm SR		1 PC
10	BOLT Ø 4.5x12mm SR		5 PCS	13	STICKER Ø 20mm		2 PCS
11	BOLT Ø 6.2x45mm SR		4 PCS				

Z5,Z6,Z7,Z8 not included in blister packaging.

STEP 1

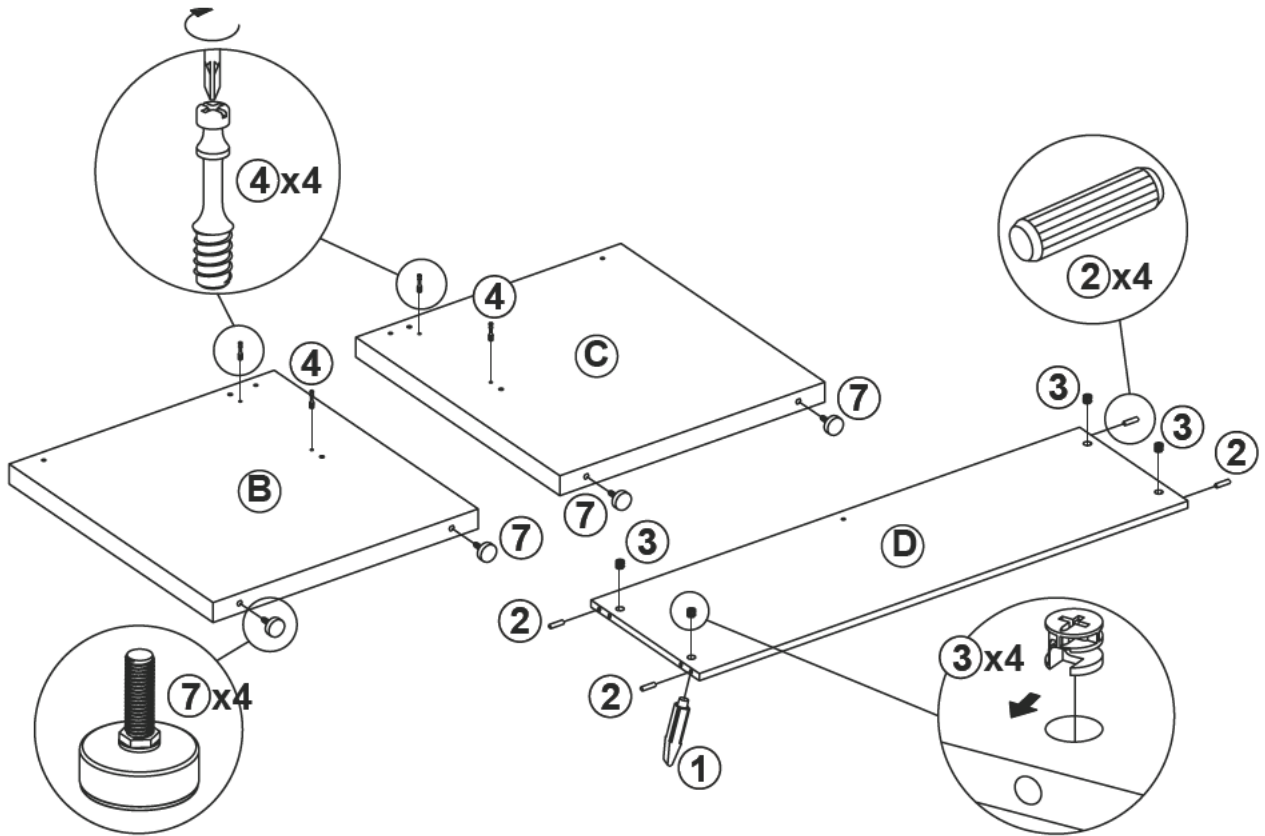
Apply glue on all wooden dowels to ensure integrity of the structure.



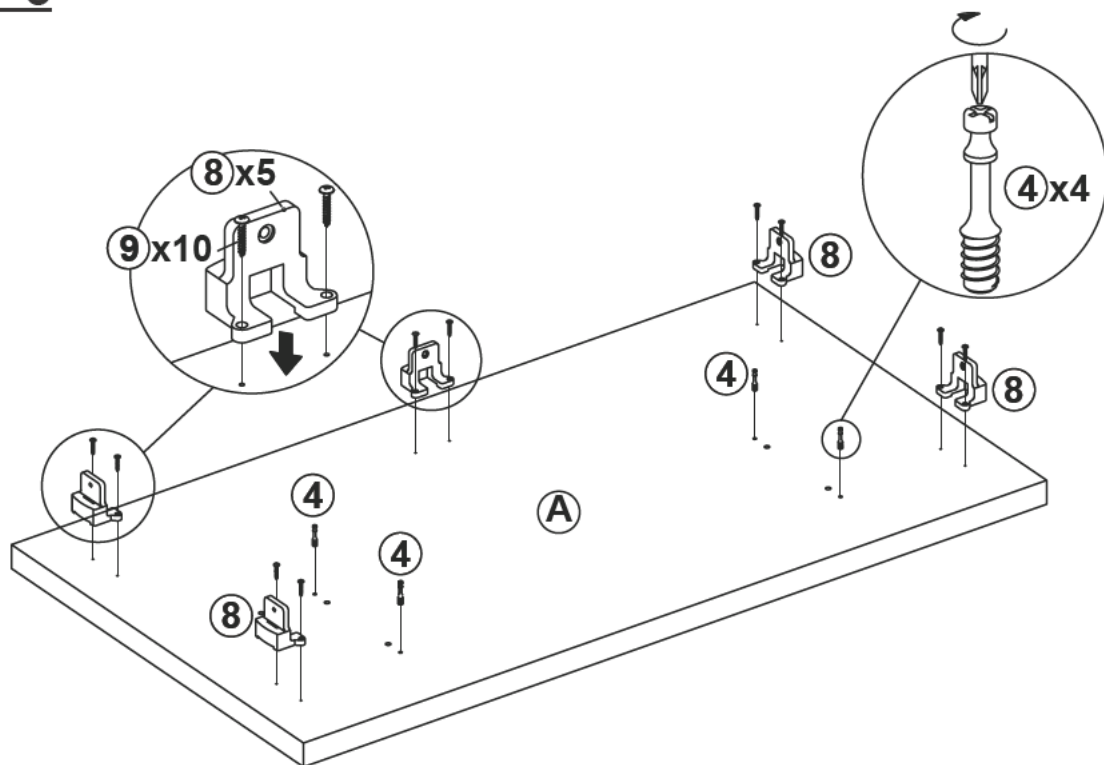
NOTE:

Phillips head screw driver is required in the assembly process; however, manufacturer does not provide this item.

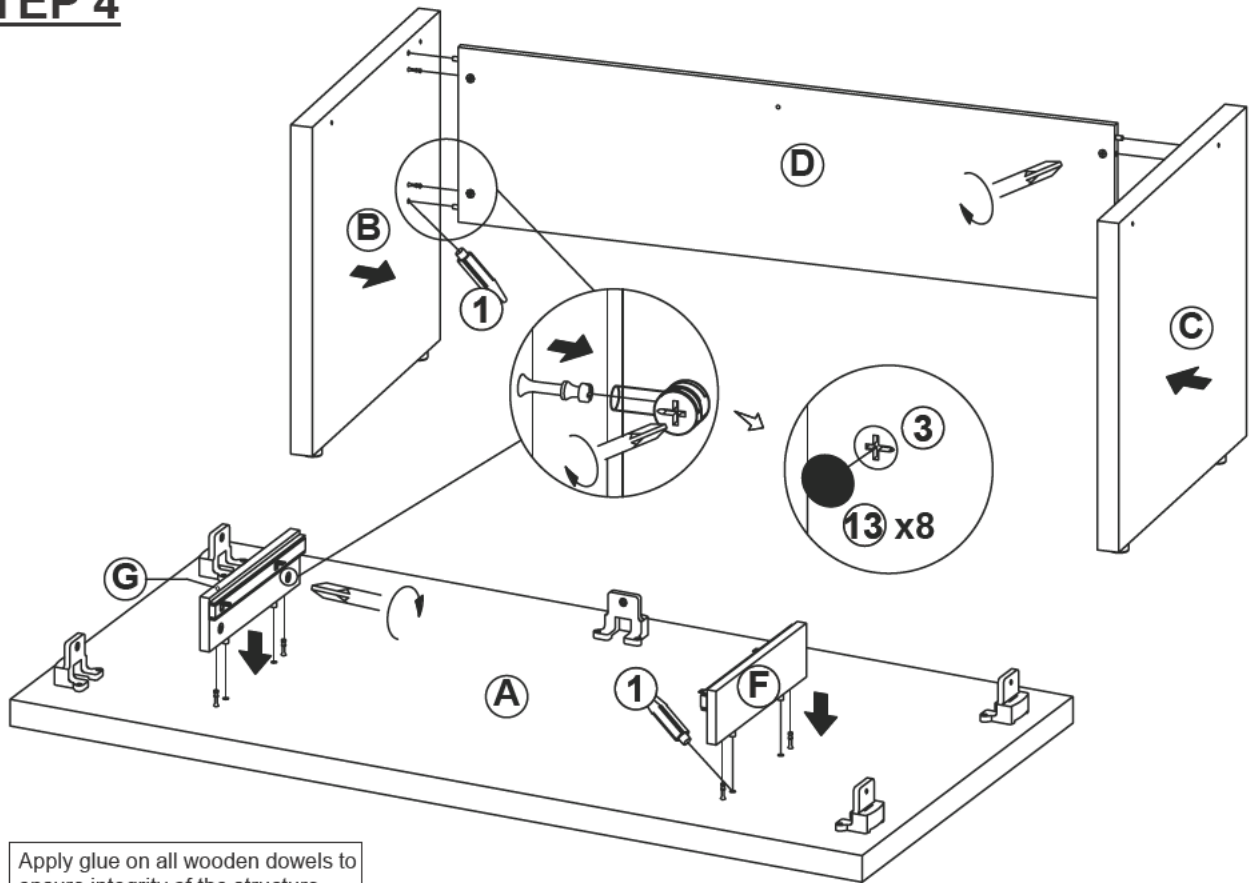
STEP 2



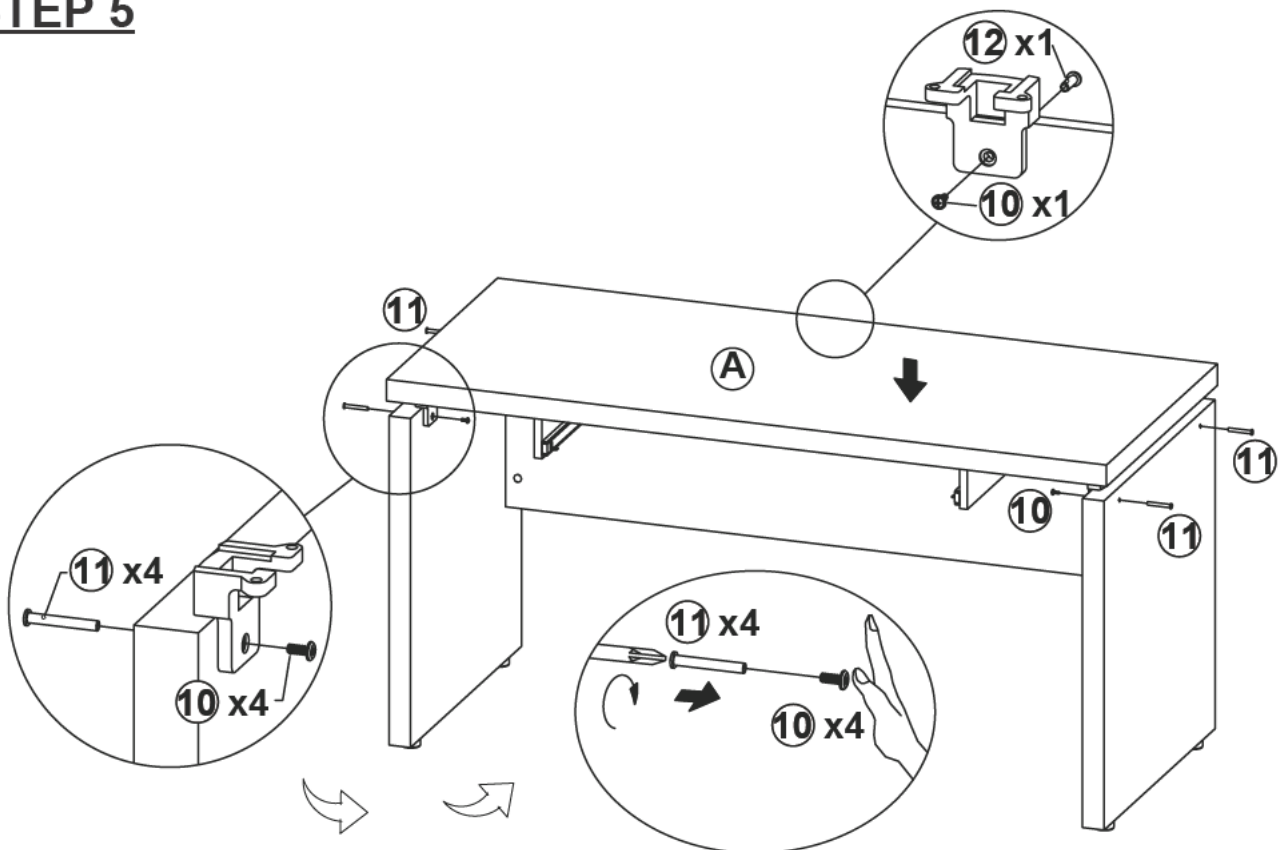
STEP 3



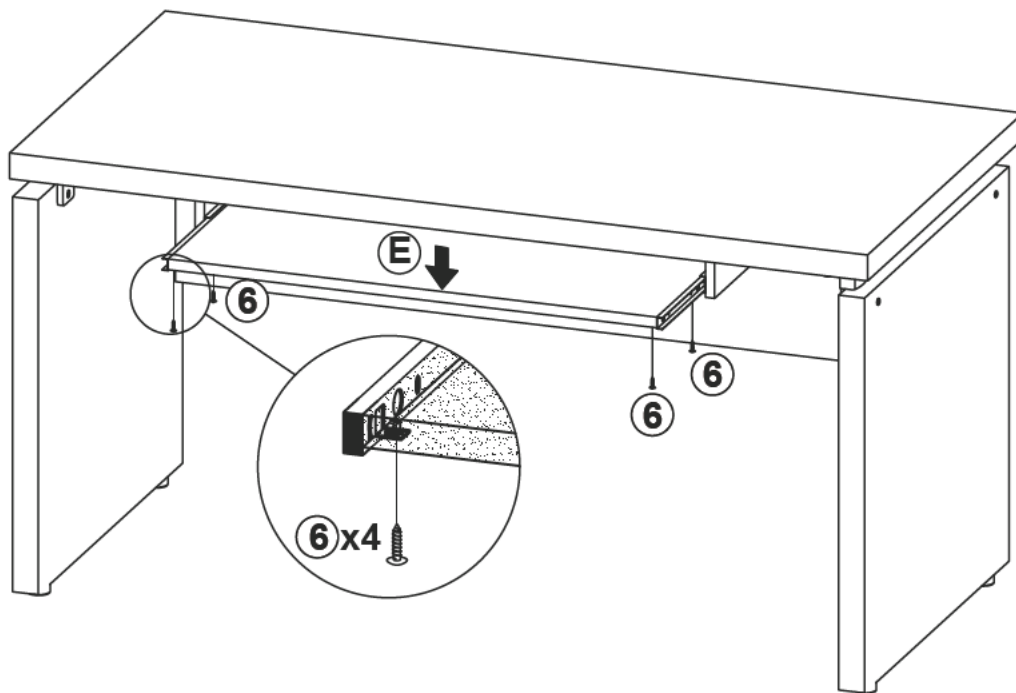
STEP 4



STEP 5

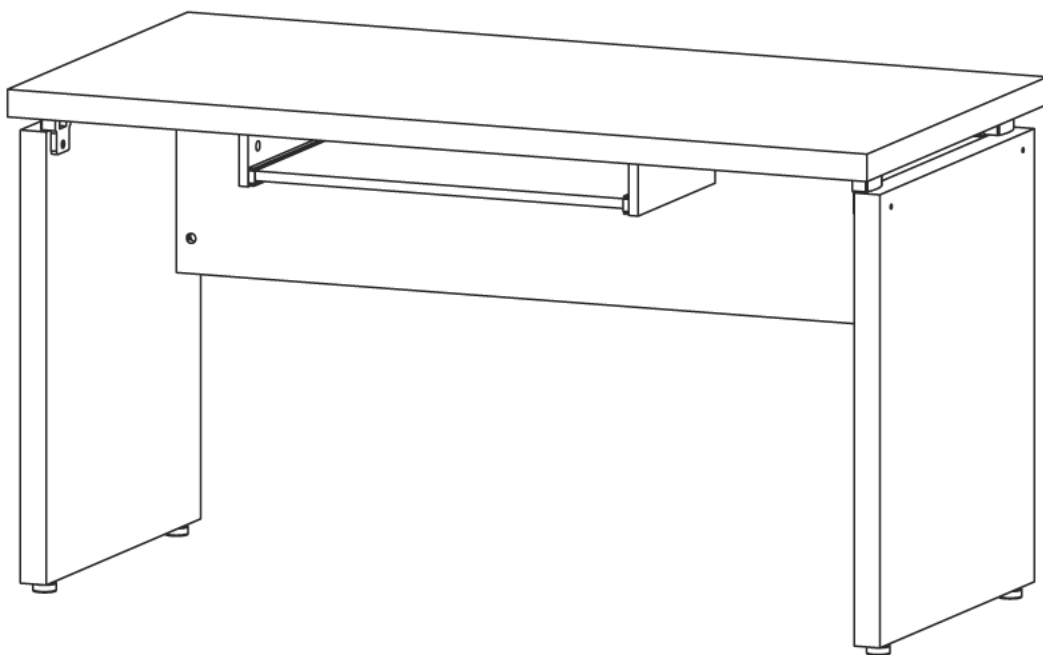


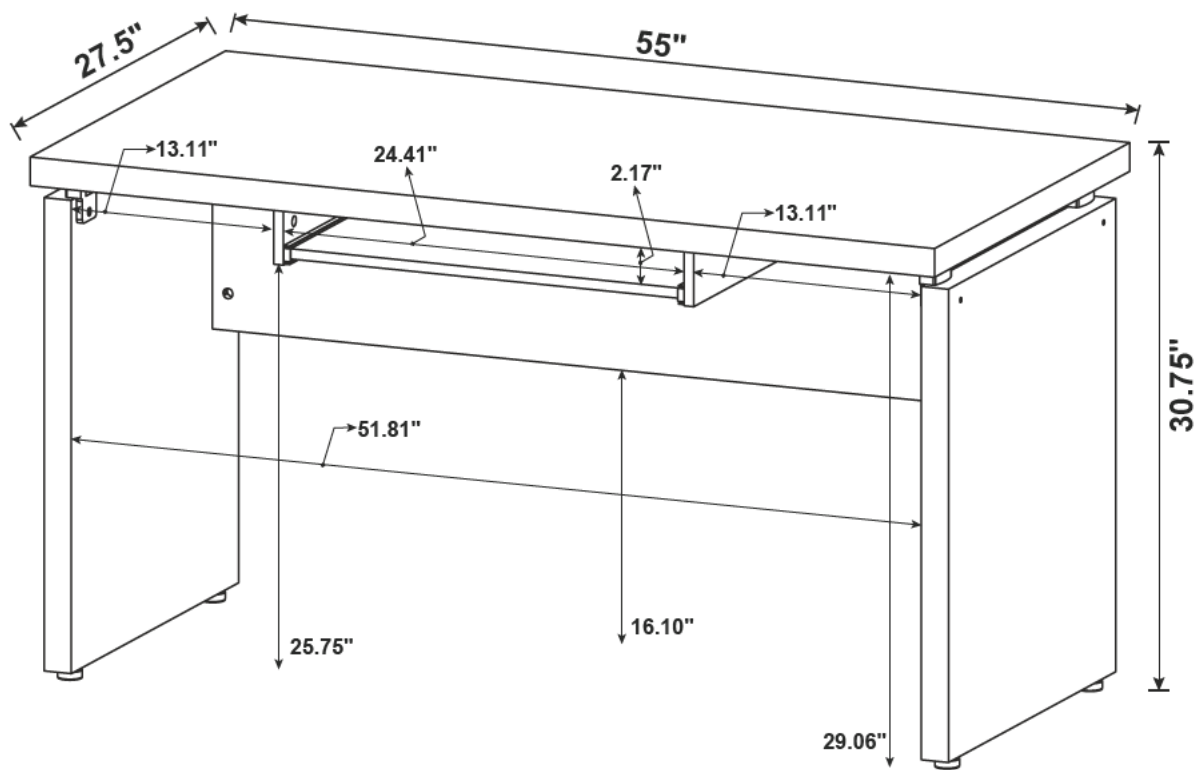
STEP 6



STEP 7

COMPLETE





Note : Dimension tolerance $\pm 5\%$