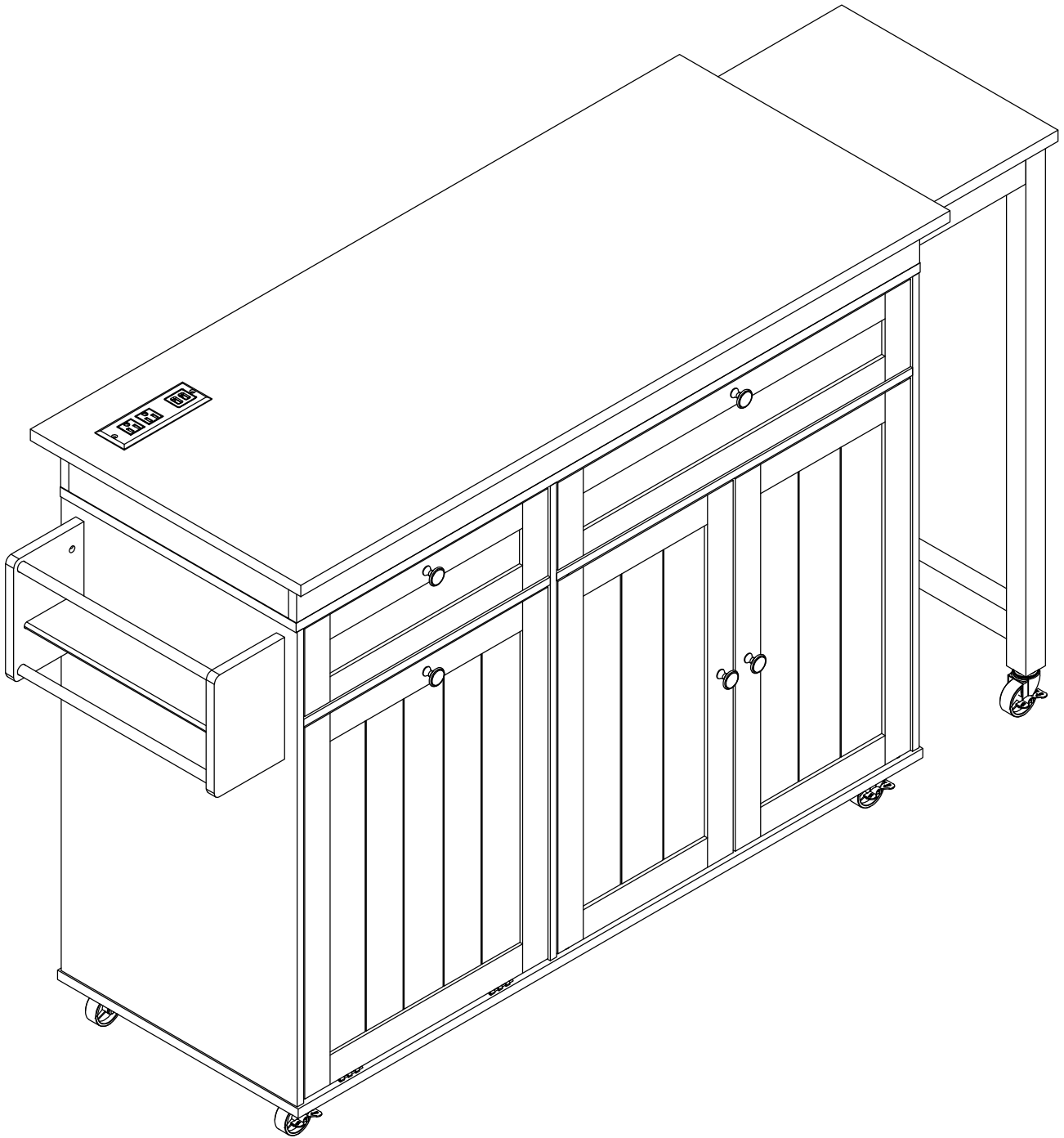


Assembly instruction



INTRODUCTION

Thank you for purchasing our products. Please read the instructions carefully before installation and keep it in a safe place for future reference. If you need any assistance or support, please feel free to contact our customer support team.

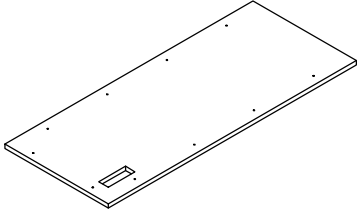
PRECAUTIONS

1. There are many components and accessories in the package. Each component and accessory is labeled with a letter or a number, check carefully before using any of them. Keep them away from children to prevent accidents.
2. Please install the product on a clean and soft underlay (such as carpet or cardboard) to avoid scratching or damaging the surface of the product.
3. The main components of the product are relatively heavy. Please pay attention to safety during installation.
4. The product is not stable during installation. Please do not move it randomly before it is completely installed.
5. This product requires two people to install.
6. If you have any questions during installation, please contact our customer service in time.

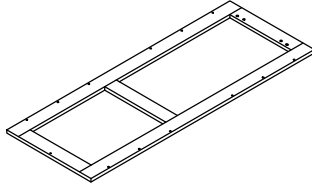
***PLEASE BE SURE TO FOLLOW THE INSTALLATION STEPS IN THE MANUAL TO AVOID UNNECESSARY LOSSES CAUSED BY IMPROPER INSTALLATION.**

***IF YOU NEED FURTHER ASSISTANCE, PLEASE CONTACT OUR CUSTOMER SERVICE ONLINE.**

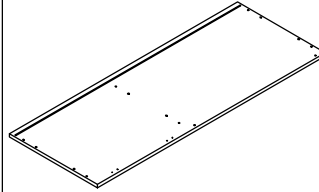
Parts List



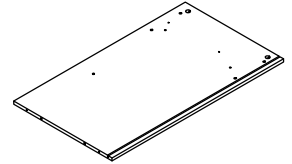
①
1X



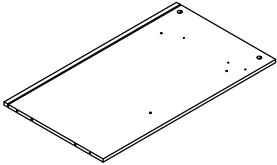
②
1X



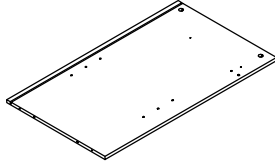
③
1X



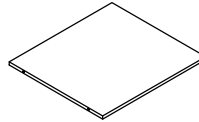
④
1X



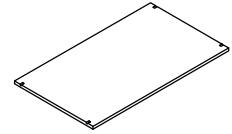
⑤
1X



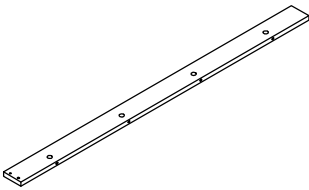
⑥
1X



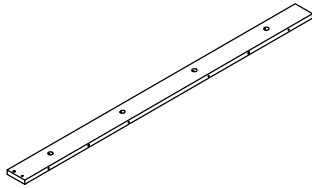
⑦
1X



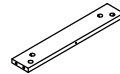
⑧
1X



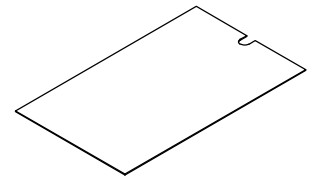
⑨
1X



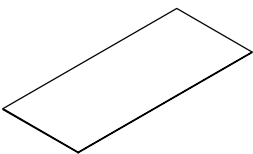
⑩
1X



⑪
1X



⑫
1X



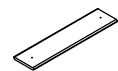
⑬
2X



⑭
1X



⑮
1X

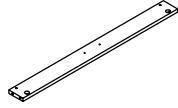


⑯
1X

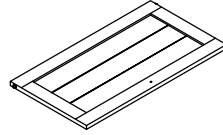
Parts List



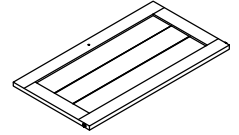
①⑦
2X



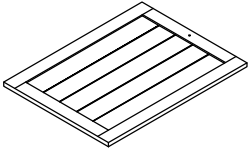
①⑧
1X



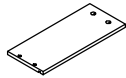
①⑨
1X



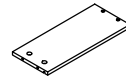
②⑩
1X



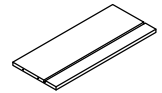
②①
1X



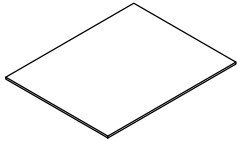
②②
1X



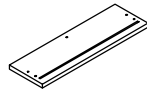
②③
1X



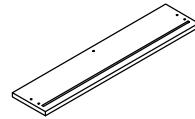
②④
1X



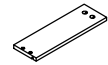
②⑤
1X



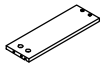
②⑥
1X



②⑦
1X



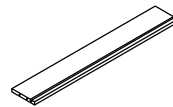
②⑧
2X



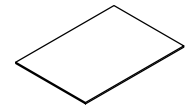
②⑨
2X



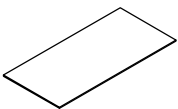
③⑩
1X



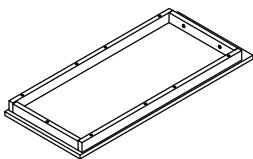
③①
1X



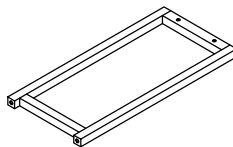
③②
1X



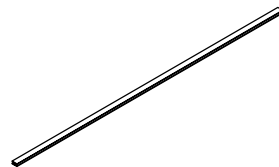
③③
1X



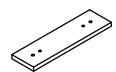
③④
1X



③⑤
1X




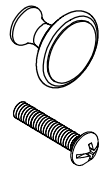
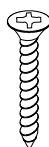


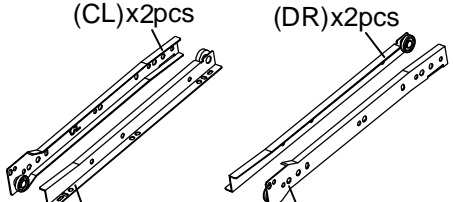

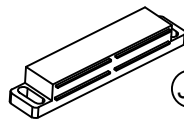

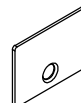

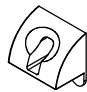

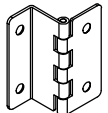

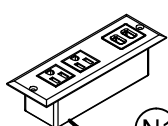

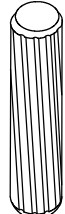



③⑥
1X

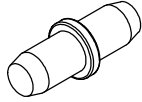


③⑦
1X

Hardware List

 4mm (A) 1X	 Ø5*40mm (B) 15X	 Ø6*30mm (C) 18X	 D1 X5Pcs D2 X5Pcs M4*20 mm (D)
 Ø3.5*30mm (E) 12X	 Ø6*35mm (F1) 36X	 Ø15*9mm (F2) 36X	 (CL)x2pcs (DR)x2pcs (DL)x2pcs (CR)x2pcs (G)
 Ø3*12mm (H) 21X	 J1 x1Pcs 70*17*13mm  J2 x2Pcs Ø3*15mm (J)	 K1 x2Pcs 30*22*1mm  K2 x2Pcs Ø3*12mm (K)	 L1 x16Pcs 14*10mm  L2 x16Pcs Ø3*16mm (L)
 M1 x2Pcs 41.5*18.5mm  M2 x 8Pcs Ø3.5*14mm (M)	 N1 x1Pcs  N2 x2Pcs Ø3.5*14mm (N)	 Ø10*40mm (O) 2X	 M5*18mm (P) 2X

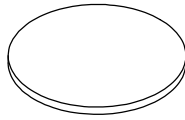
Hardware List



Ø5*Ø7*17mm

Q

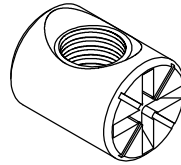
4X



Ø20mm

R

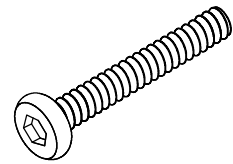
22X



M6*Ø9.5*10mm

S

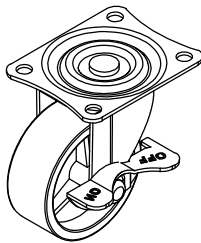
4X



M6*38mm

T

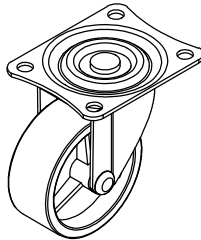
8X



2"

U

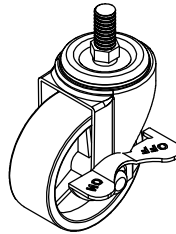
2X



2"

V

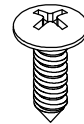
3X



2"

W

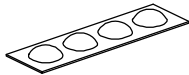
2X



Ø4.5*12mm

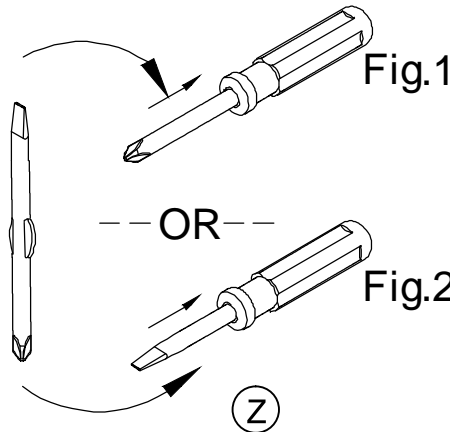
ZA

20X



Y

4X



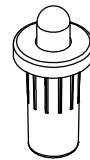
OR

Z



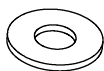
ZB

1X



ZC

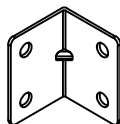
4Pcs



Ø13*Ø7*1mm

ZD

6X



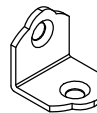
ZE1 x 2Pcs



ZE2 x 8Pcs

Ø3.5*12mm

ZE



ZF1 x 2Pcs



ZF2 x 4Pcs

Ø3.5*10mm

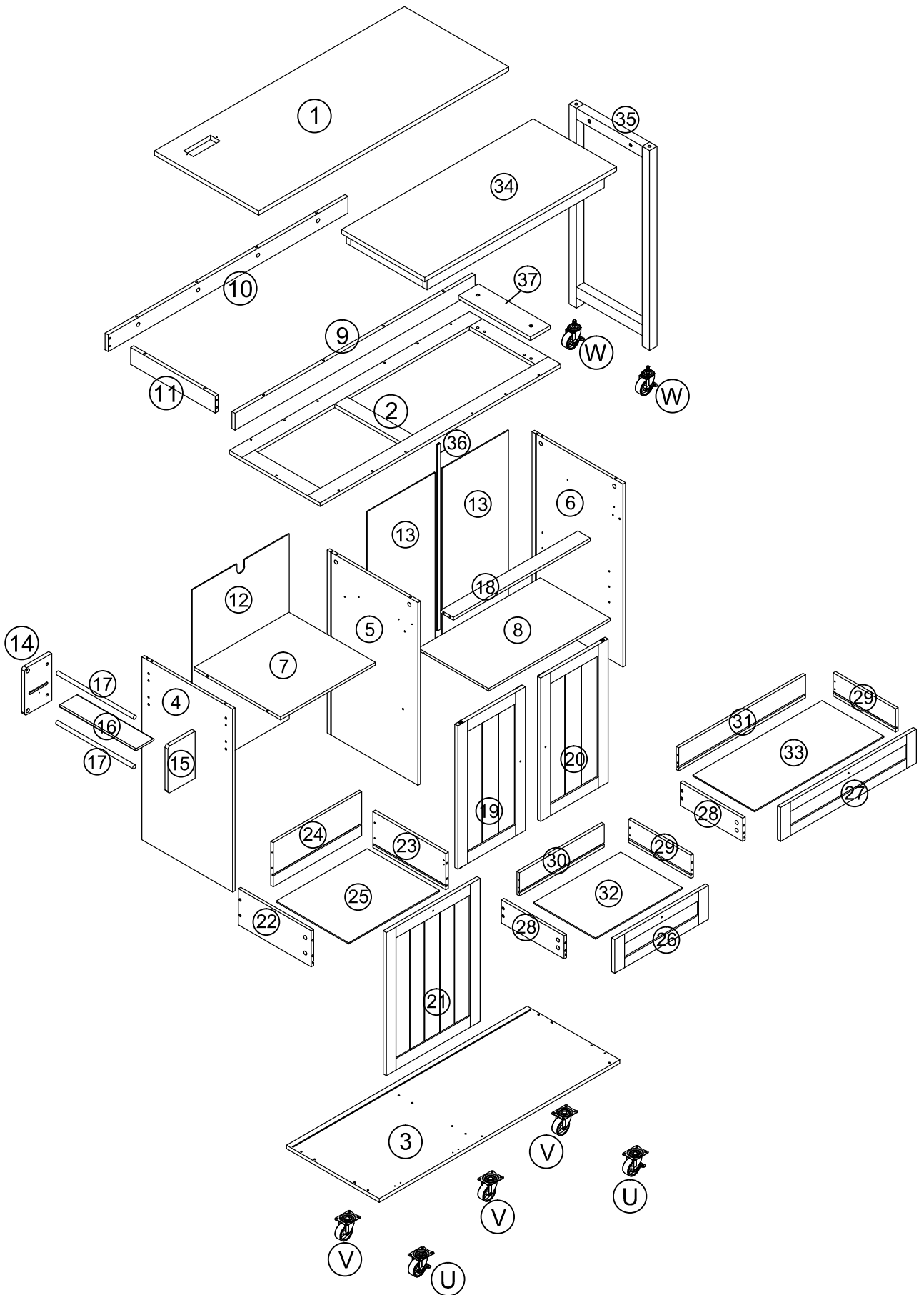
ZF



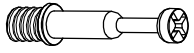
Ø8*20mm

ZG

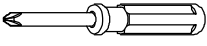
2X



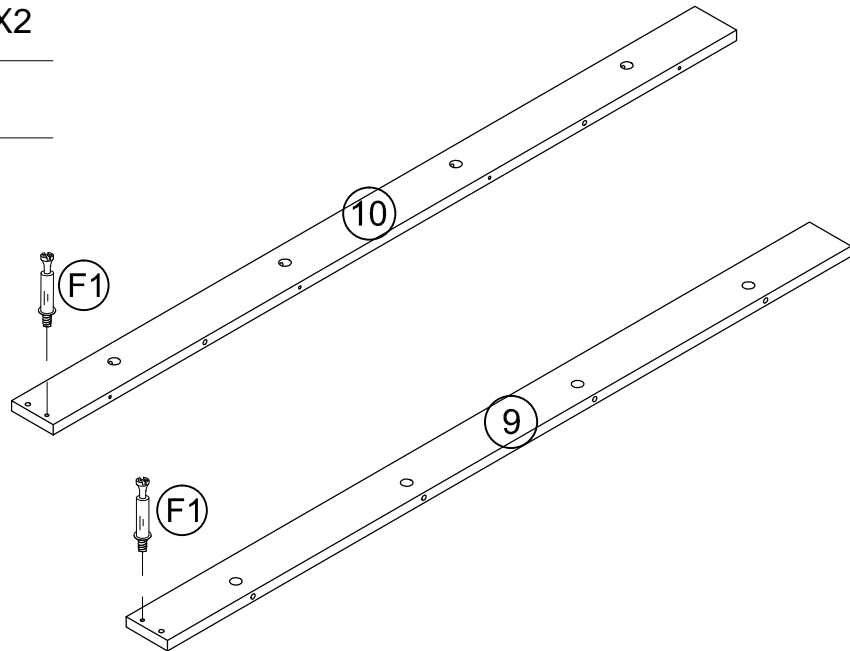
Step 1.



F1 X2



Z



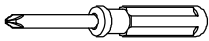
Step 2.



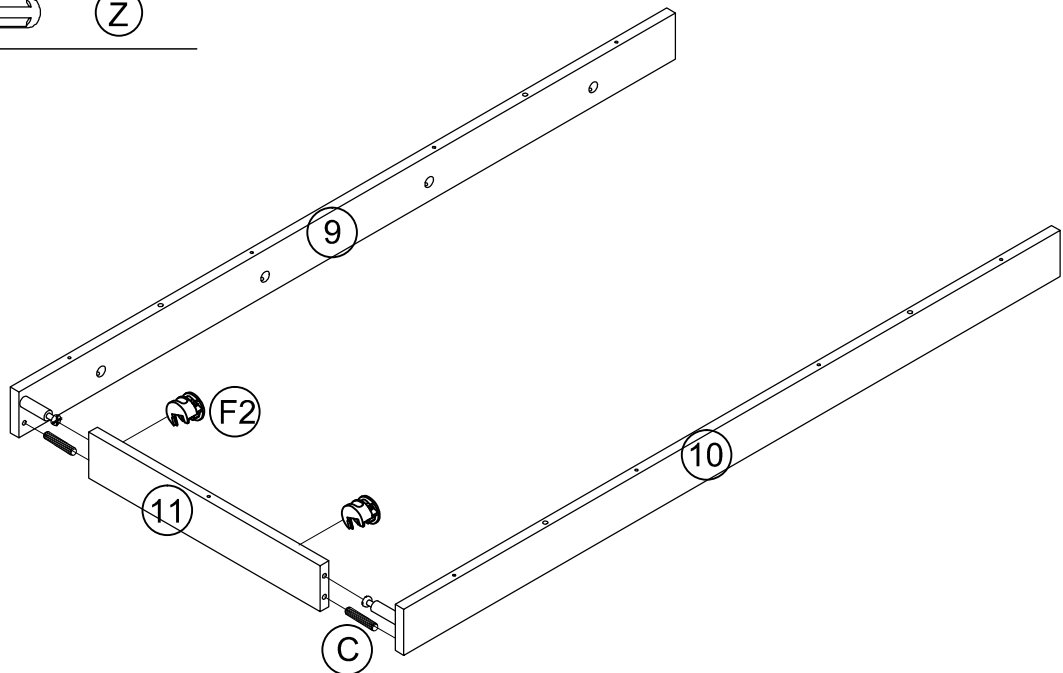
C X2



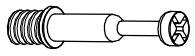
F2 X2



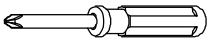
Z



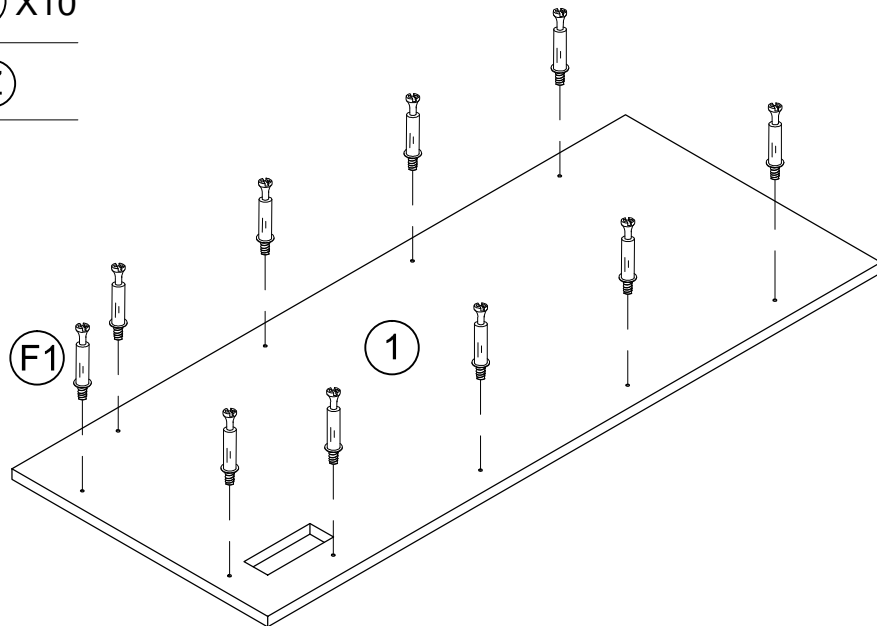
Step 3.



F1 X10



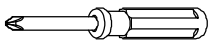
Z



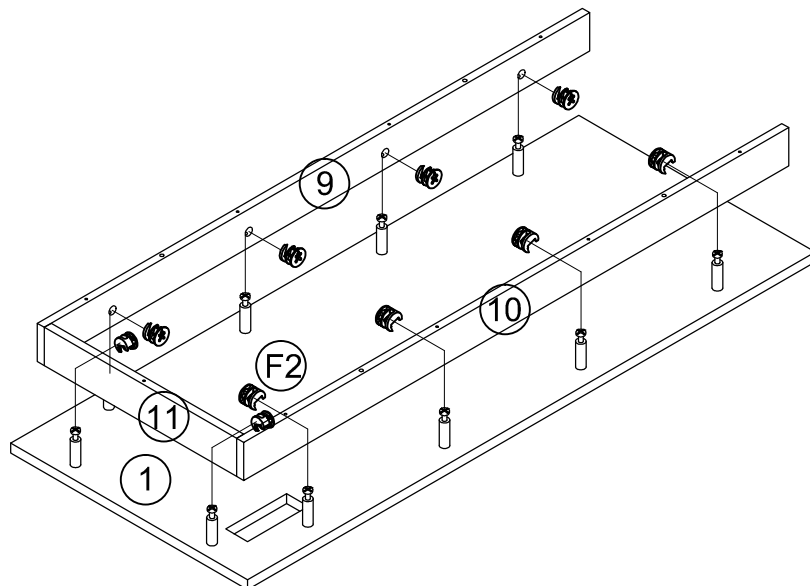
Step 4.



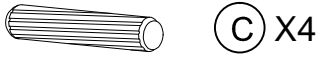
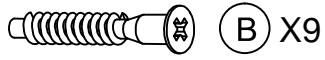
F2 X10



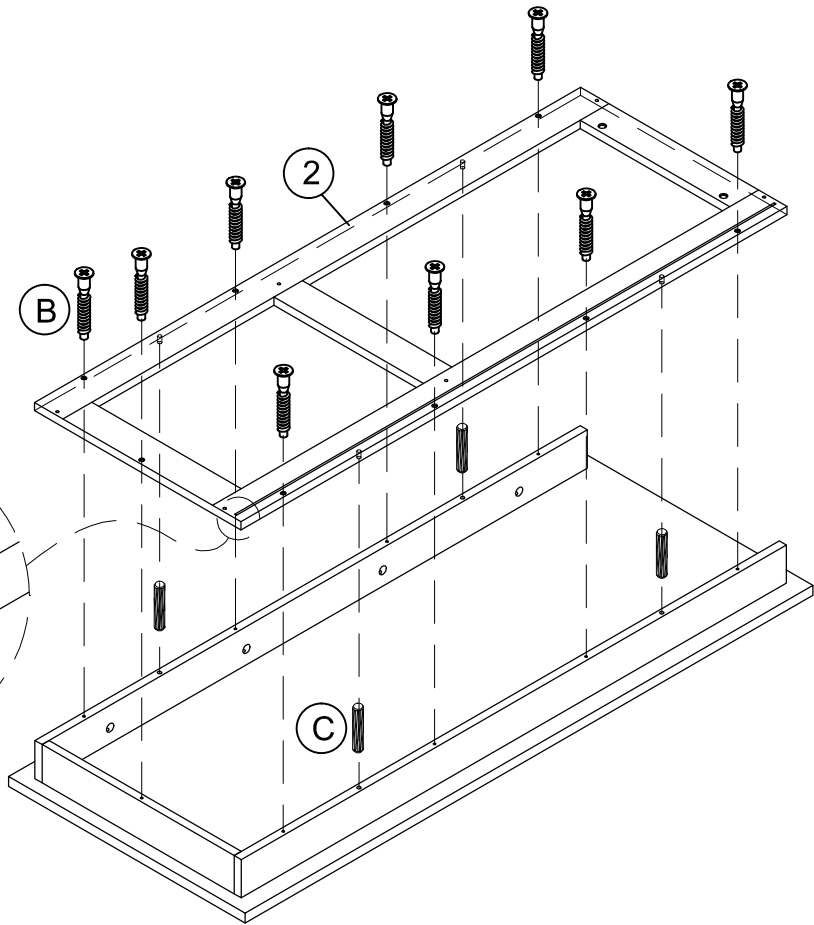
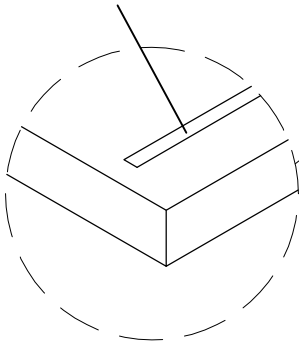
Z



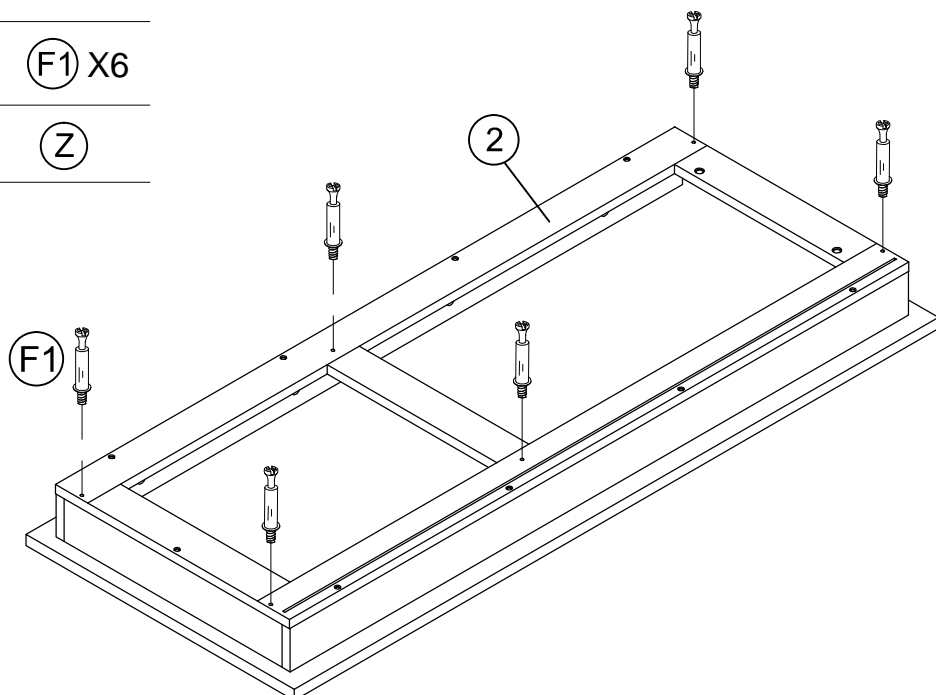
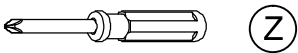
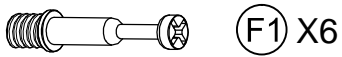
Step 5.



Back groove

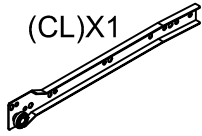


Step 6.

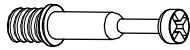


Step 7.

(CL)X1



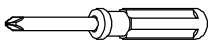
(G)



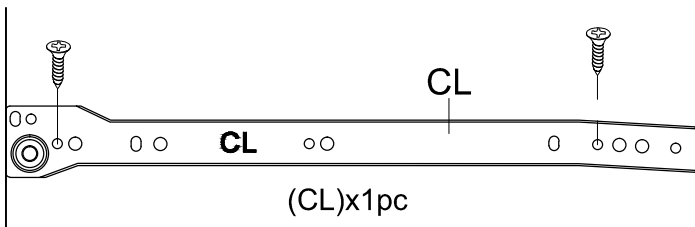
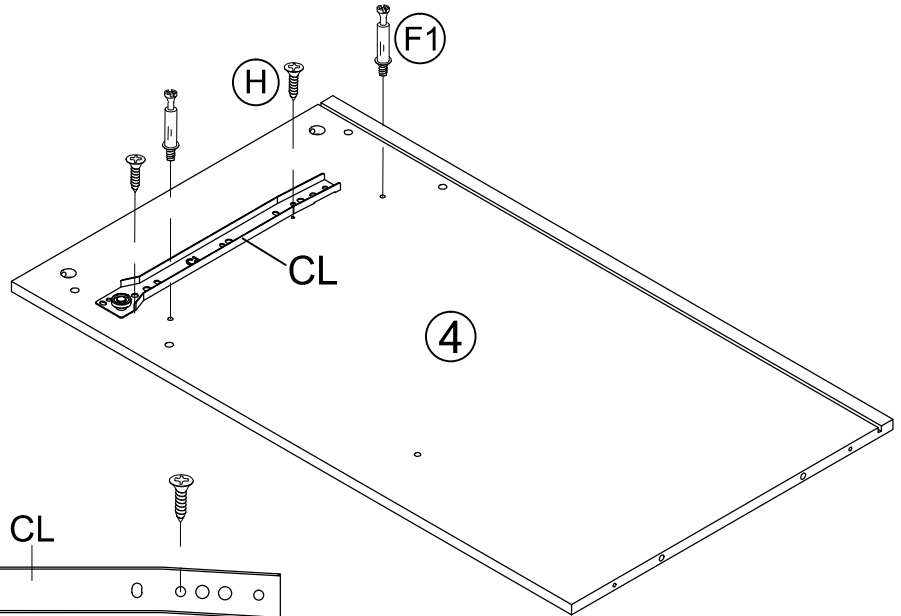
(F1) X2



(H) X2

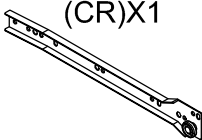


(Z)

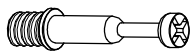


Step 8.

(CR)X1



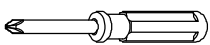
(G)



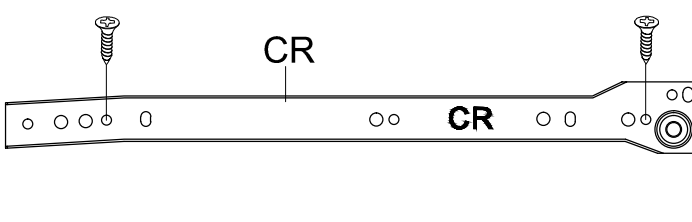
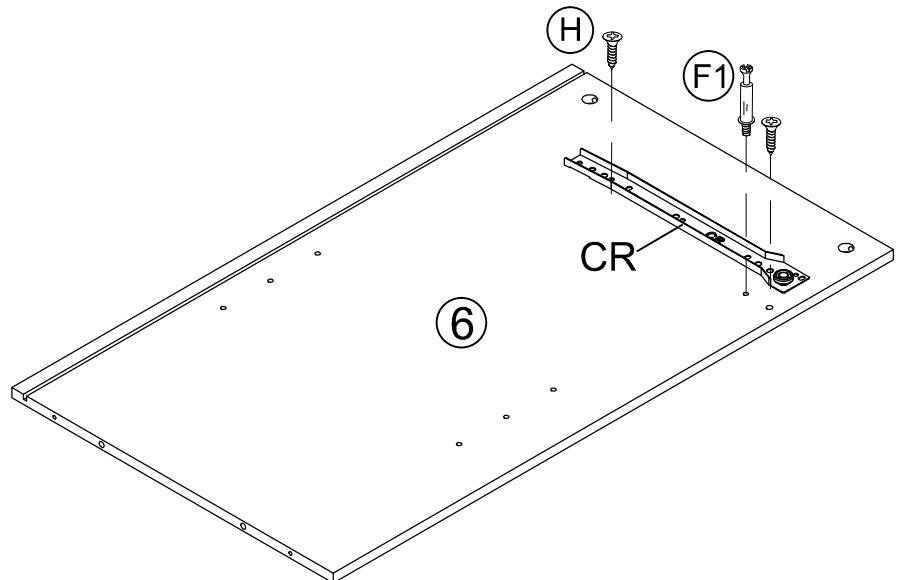
(F1) X1



(H) X2

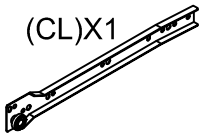


(Z)



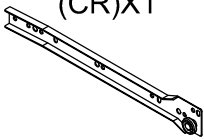
Step 9.

(CL)X1

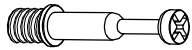


(G)

(CR)X1



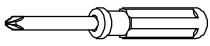
(G)



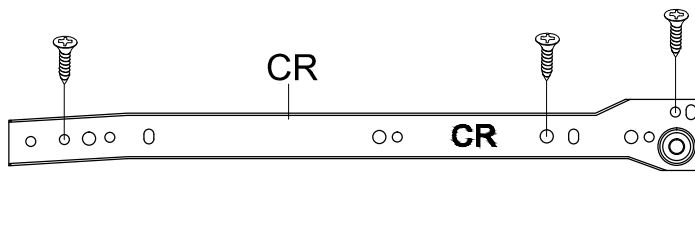
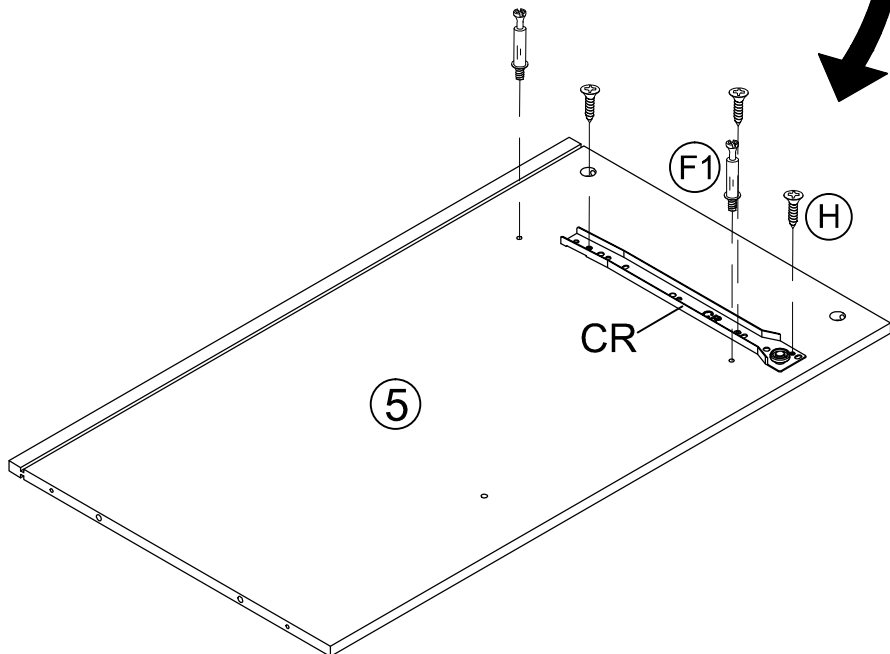
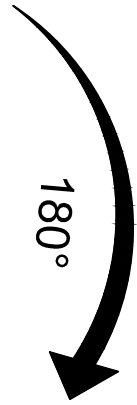
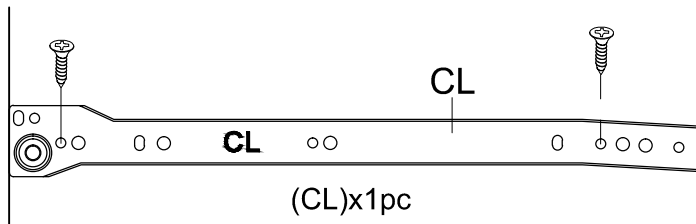
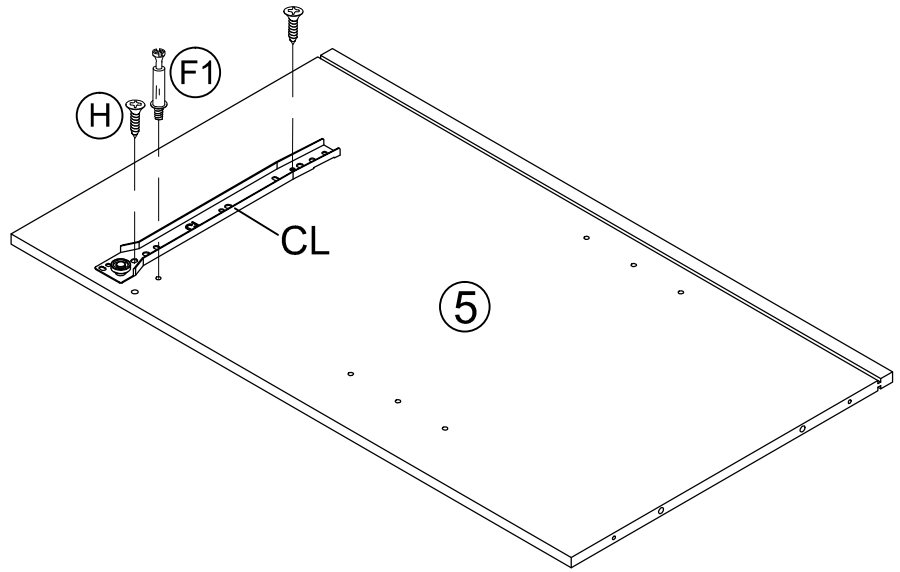
(F1) X3



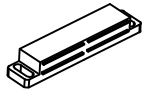
(H) X5



(Z)



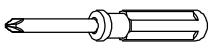
Step 10.



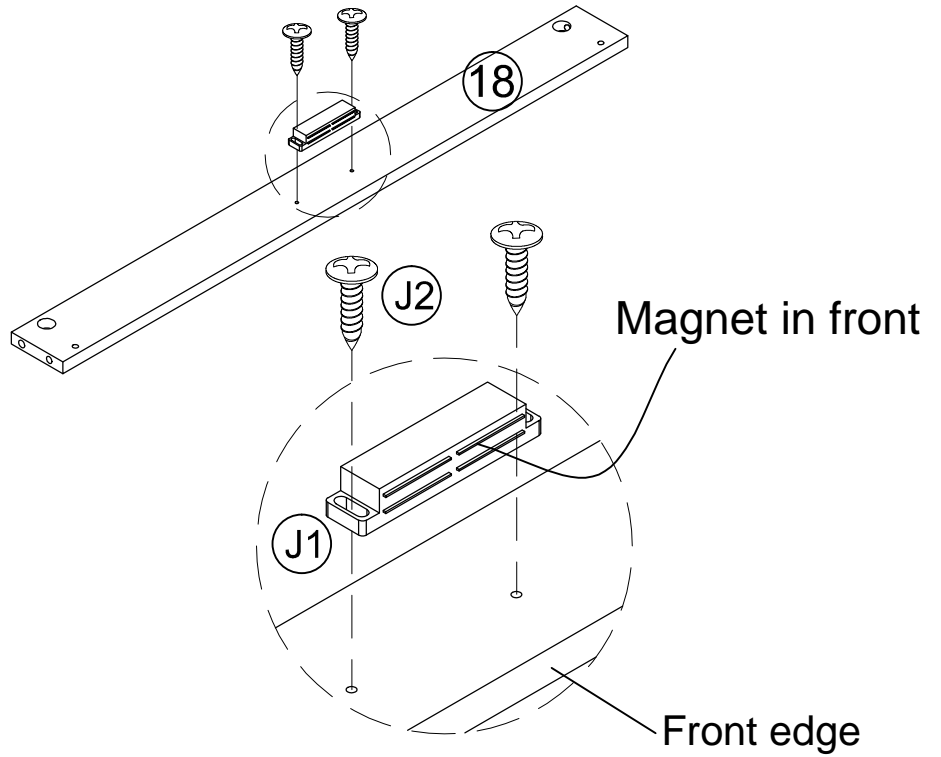
ⓐ J1 X1



ⓑ J2 X2



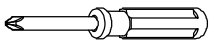
Ⓒ Z



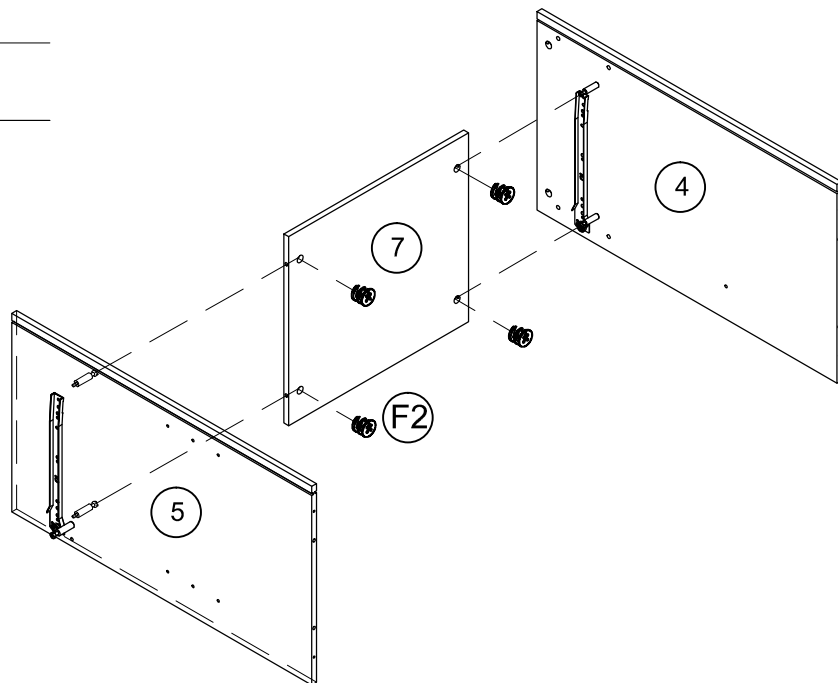
Step 11.



ⓐ F2 X4



Ⓒ Z



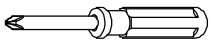
Step 12.



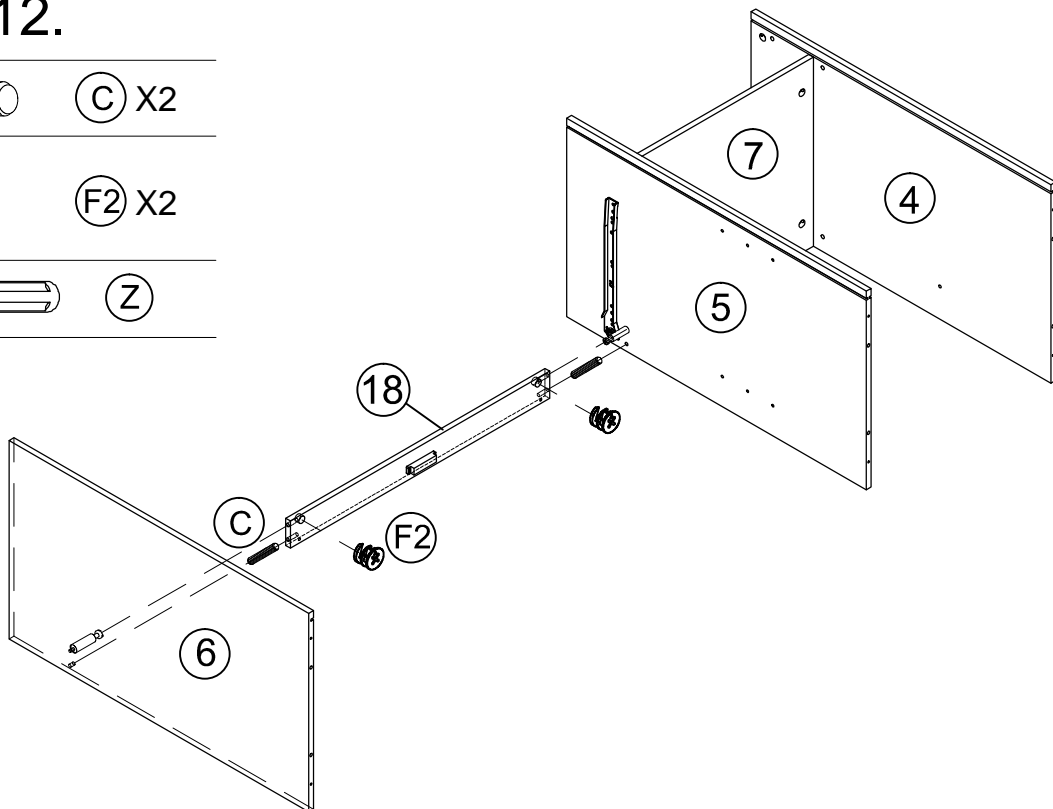
(C) X2



(F2) X2



(Z)



Step 13.



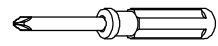
(U) X2



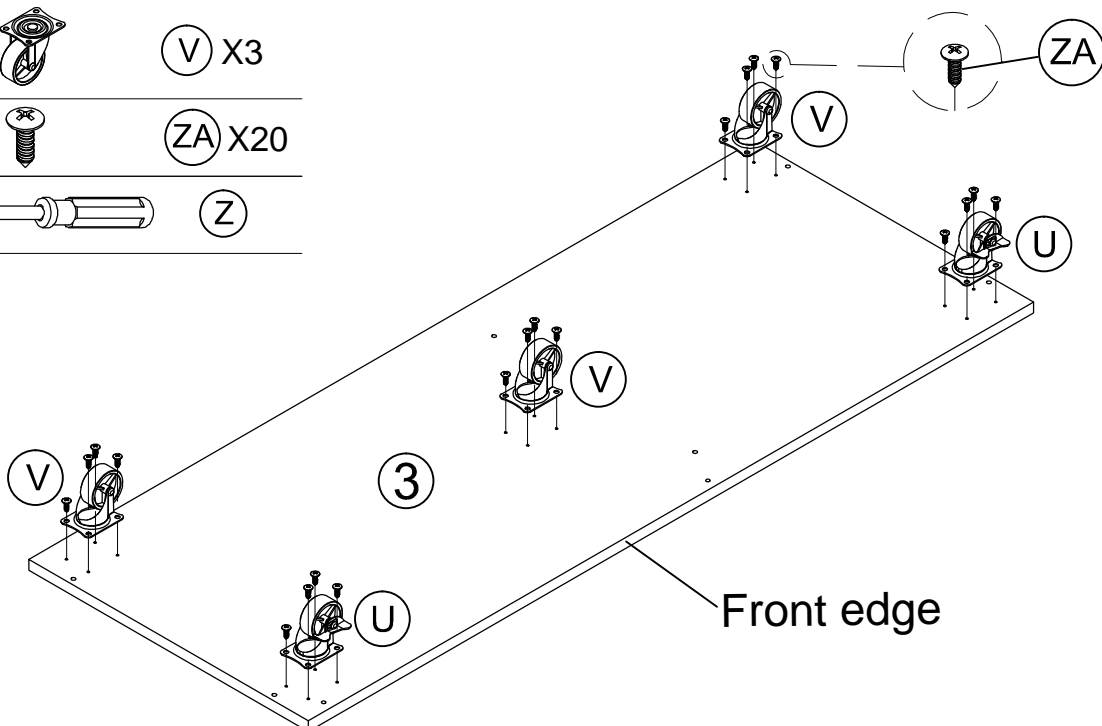
(V) X3





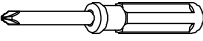
(ZA) X20

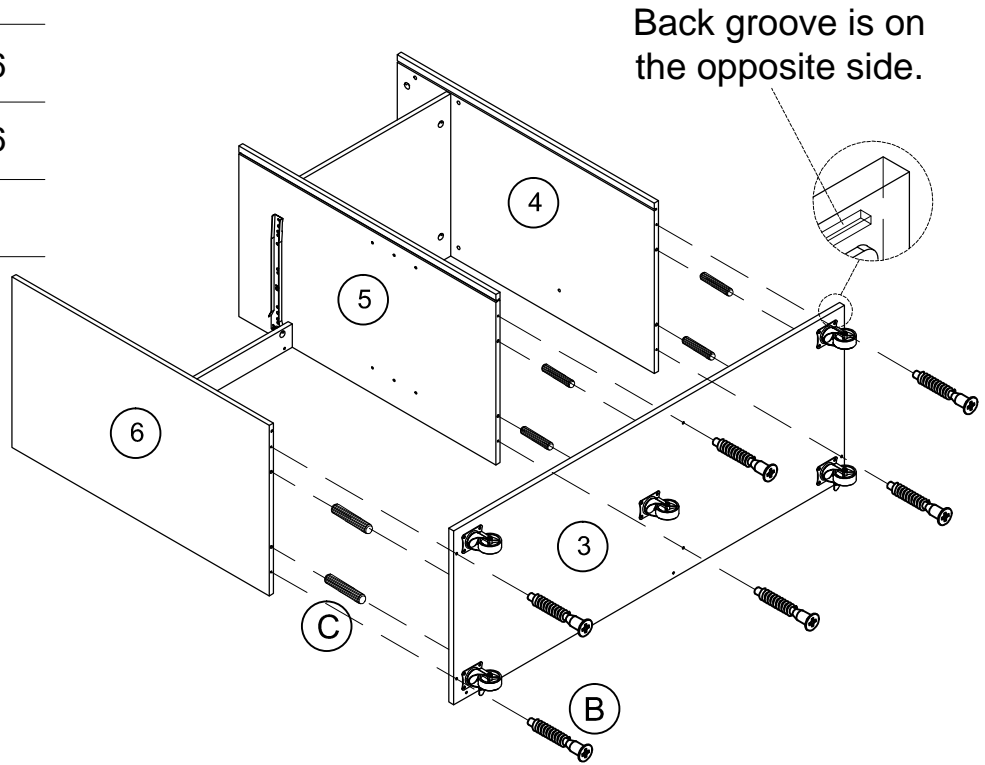


(Z)



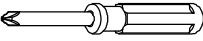


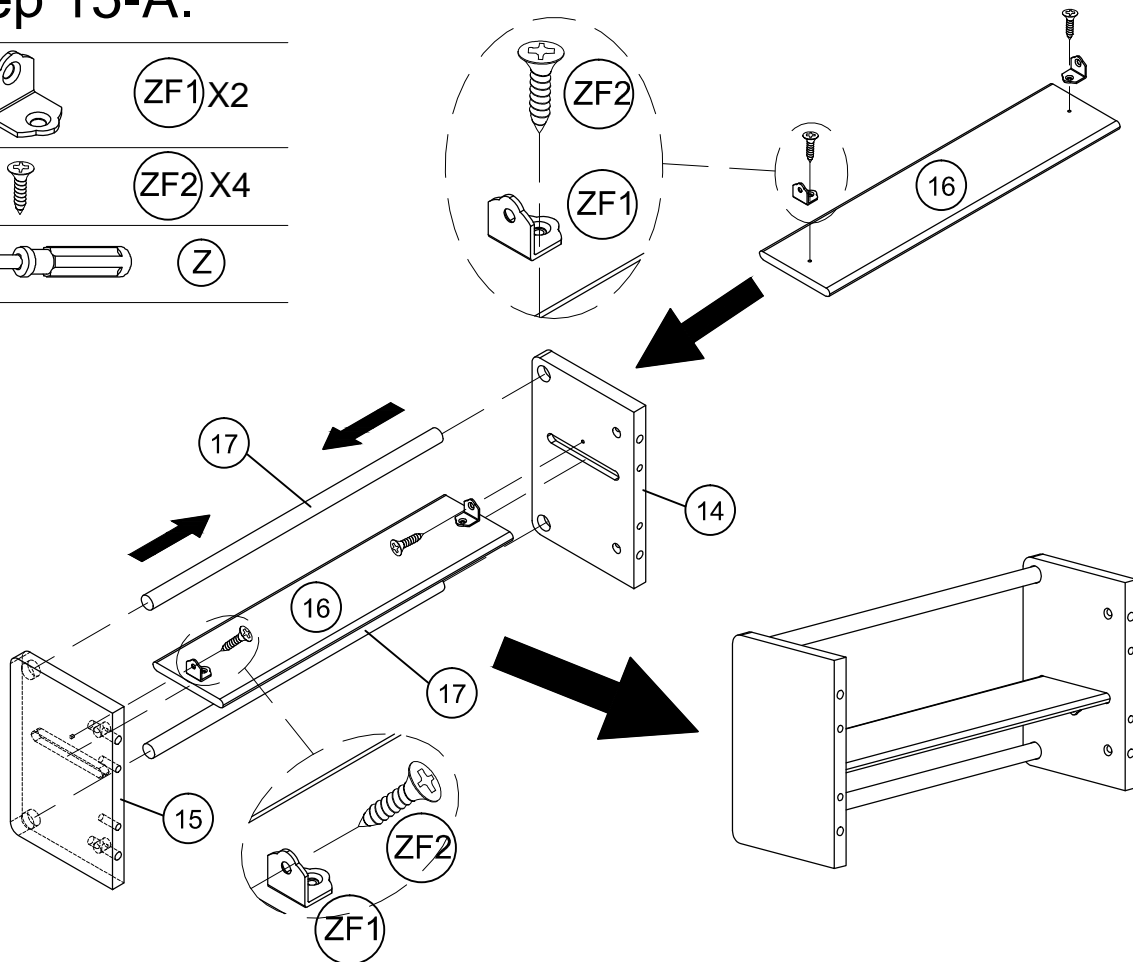
Step 14.

-  (B) X6
-  (C) X6
-  (Z)



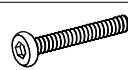



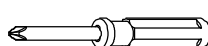


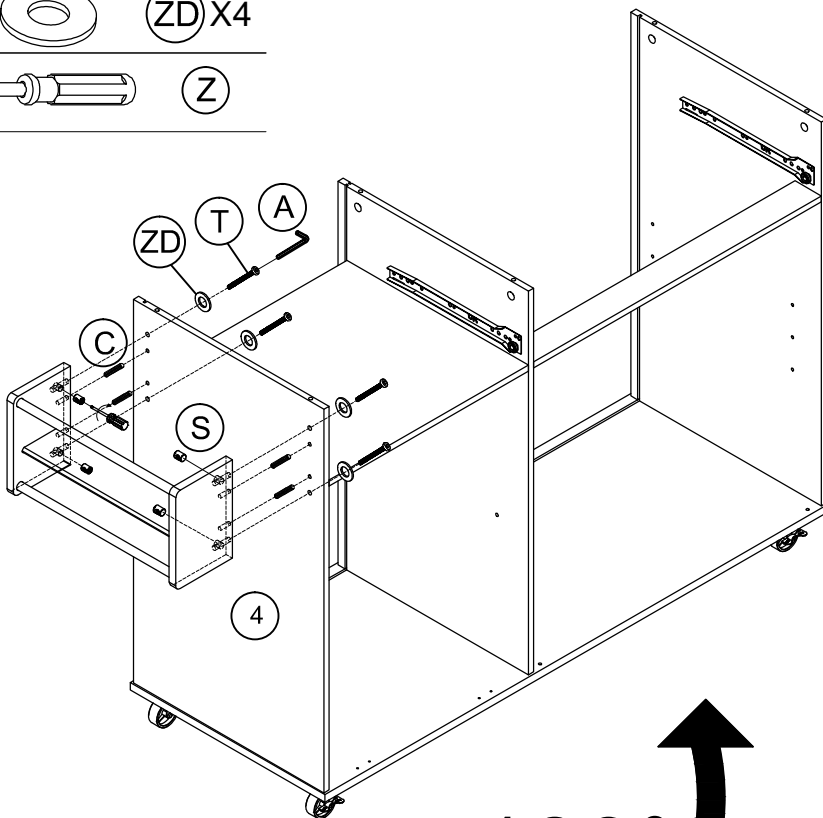
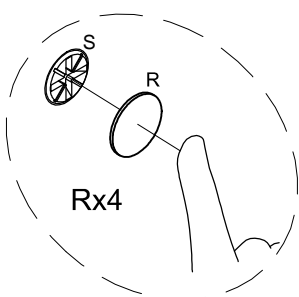
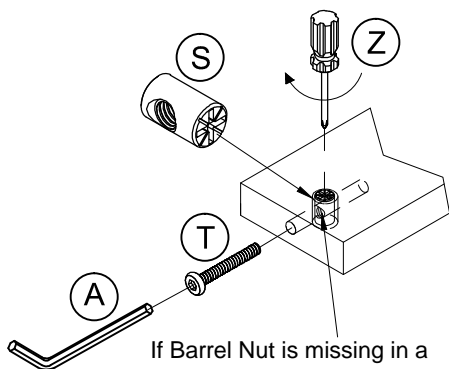
Step 15-A.

-  (ZF1) X2
-  (ZF2) X4
-  (Z)

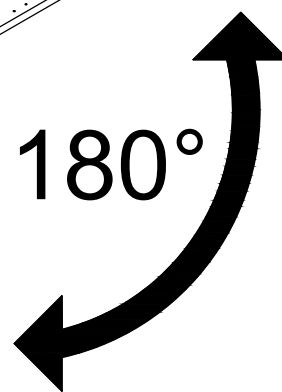
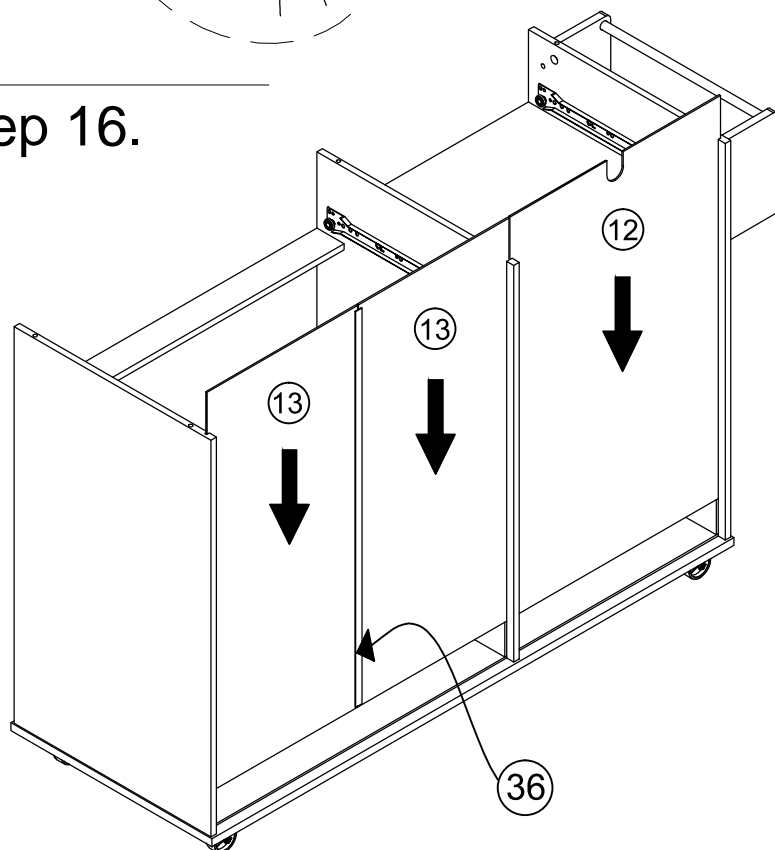


Step 15-B.

	(A) X1		(R) X4		(T) X4
	(C) X4		(ZD) X4		
	(S) X4		(Z)		



Step 16.



Step 17.



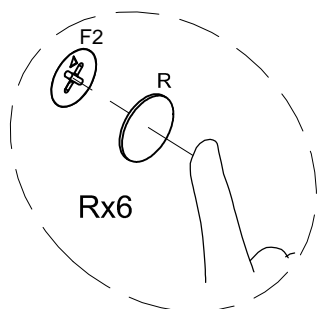
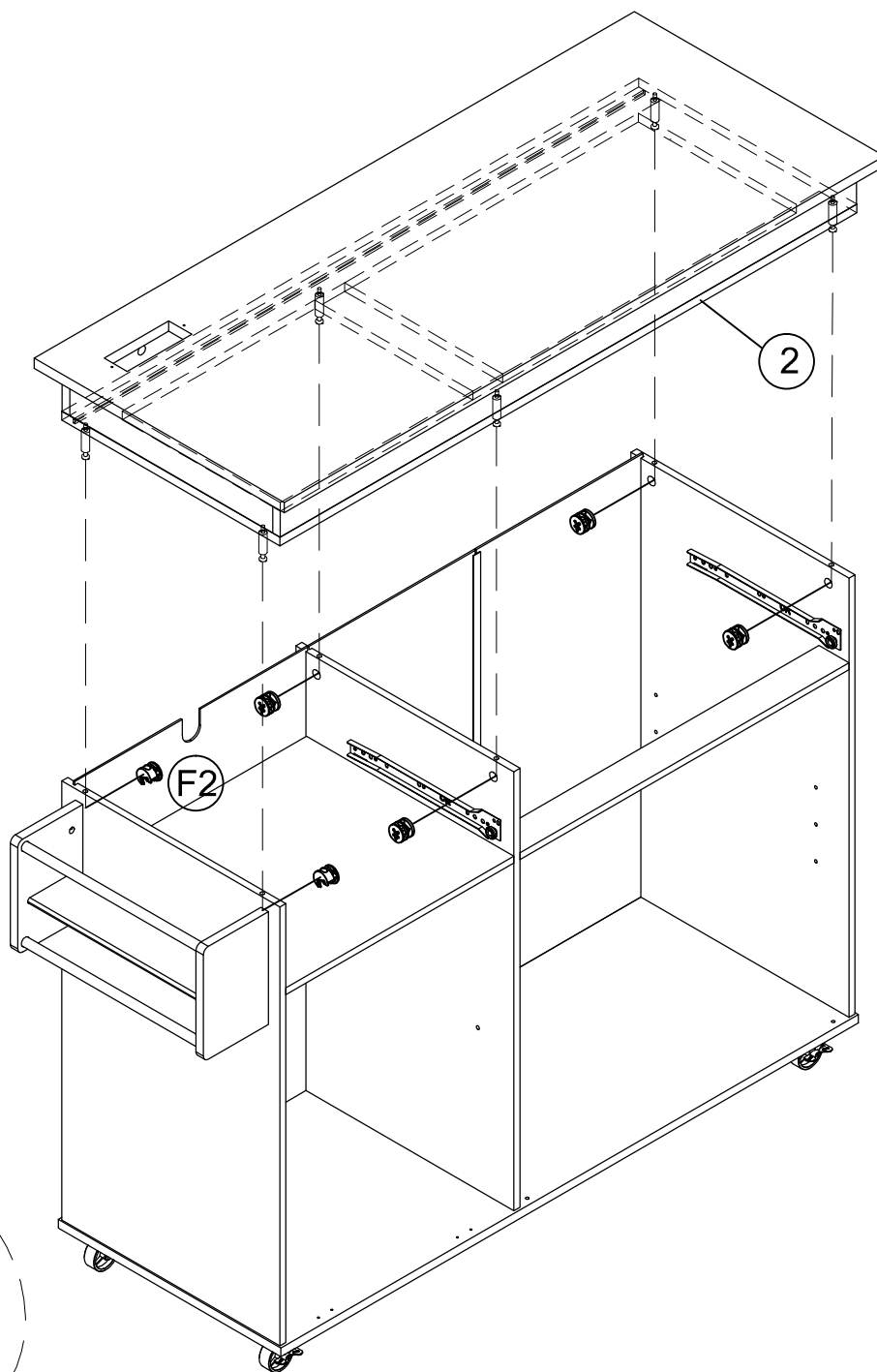
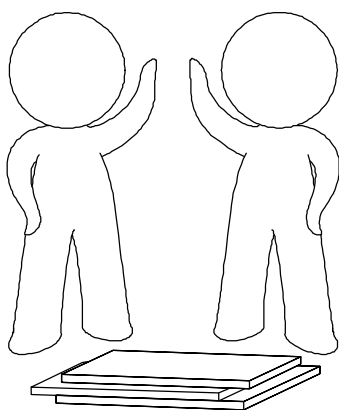
(F2) X6



(R) X6



(Z)



Step 18.



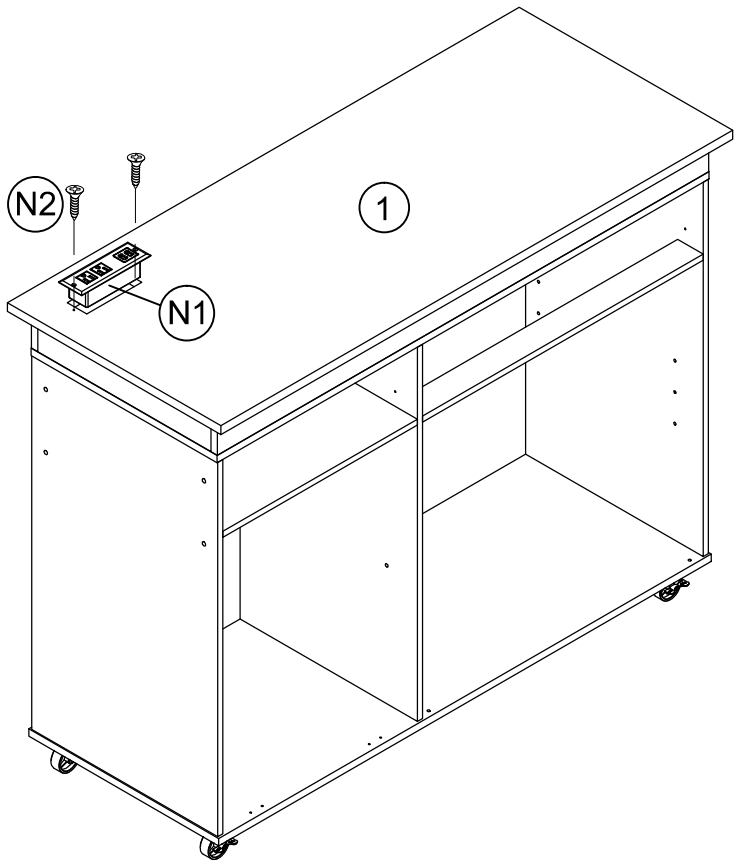
(N1) X1



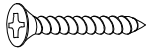
(N2) X2



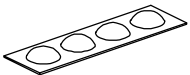
(Z)



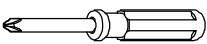
Step 19.



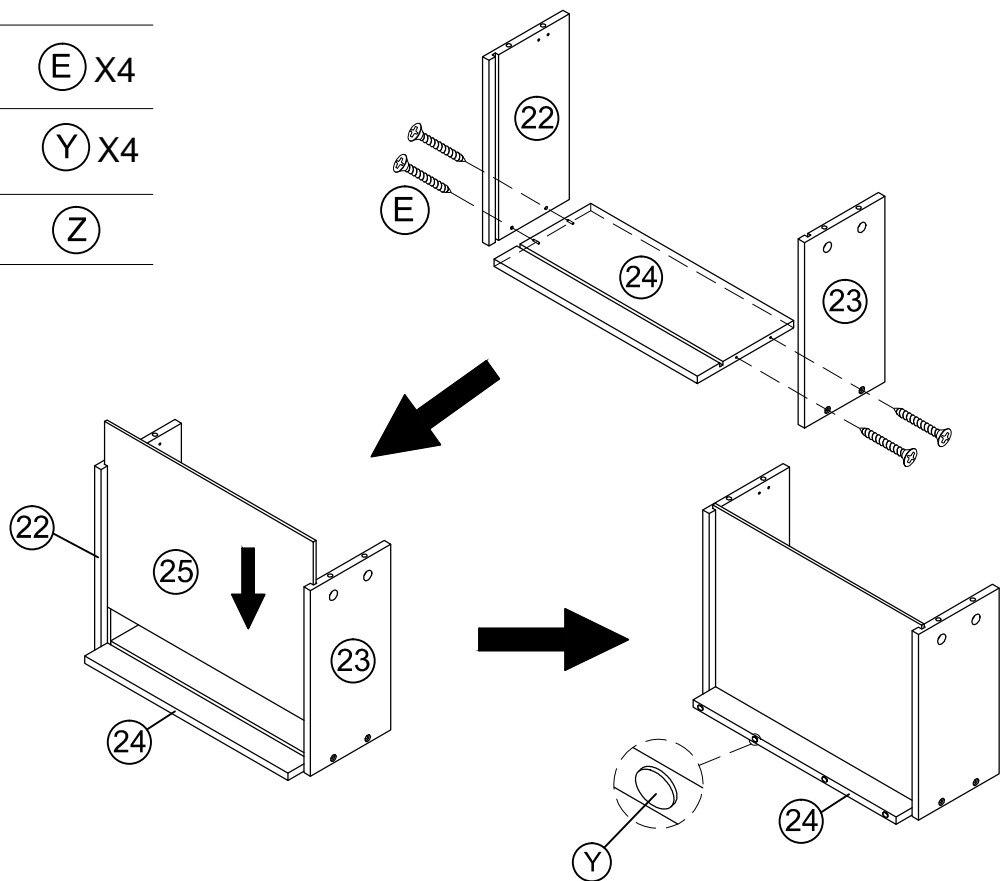
(E) X4



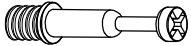
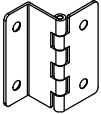

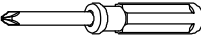
(Y) X4

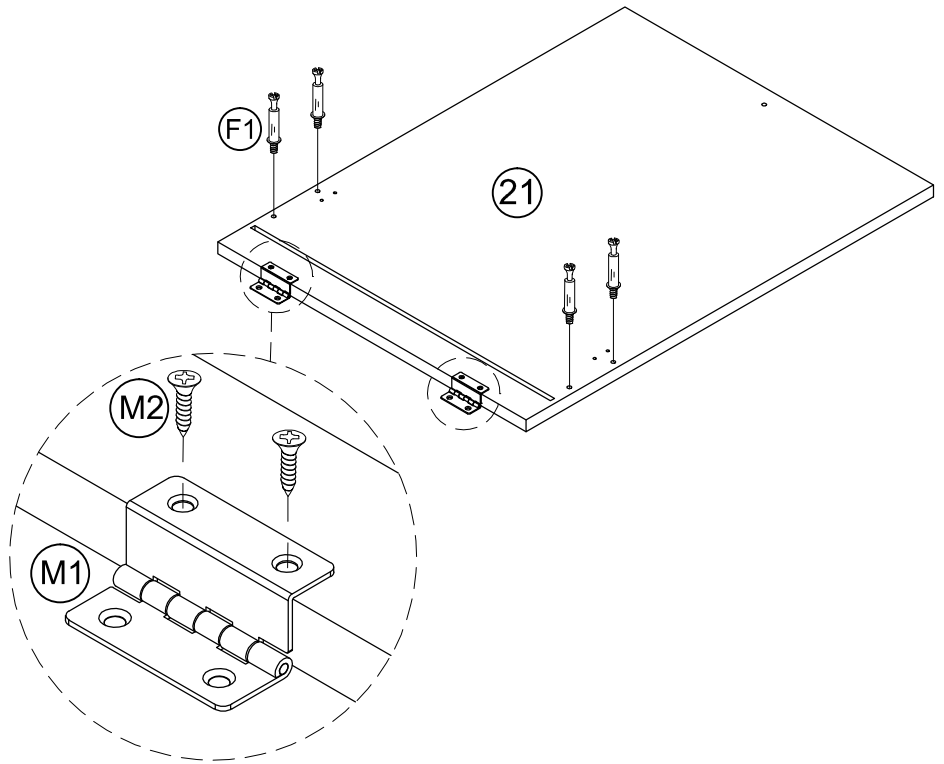


(Z)


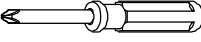


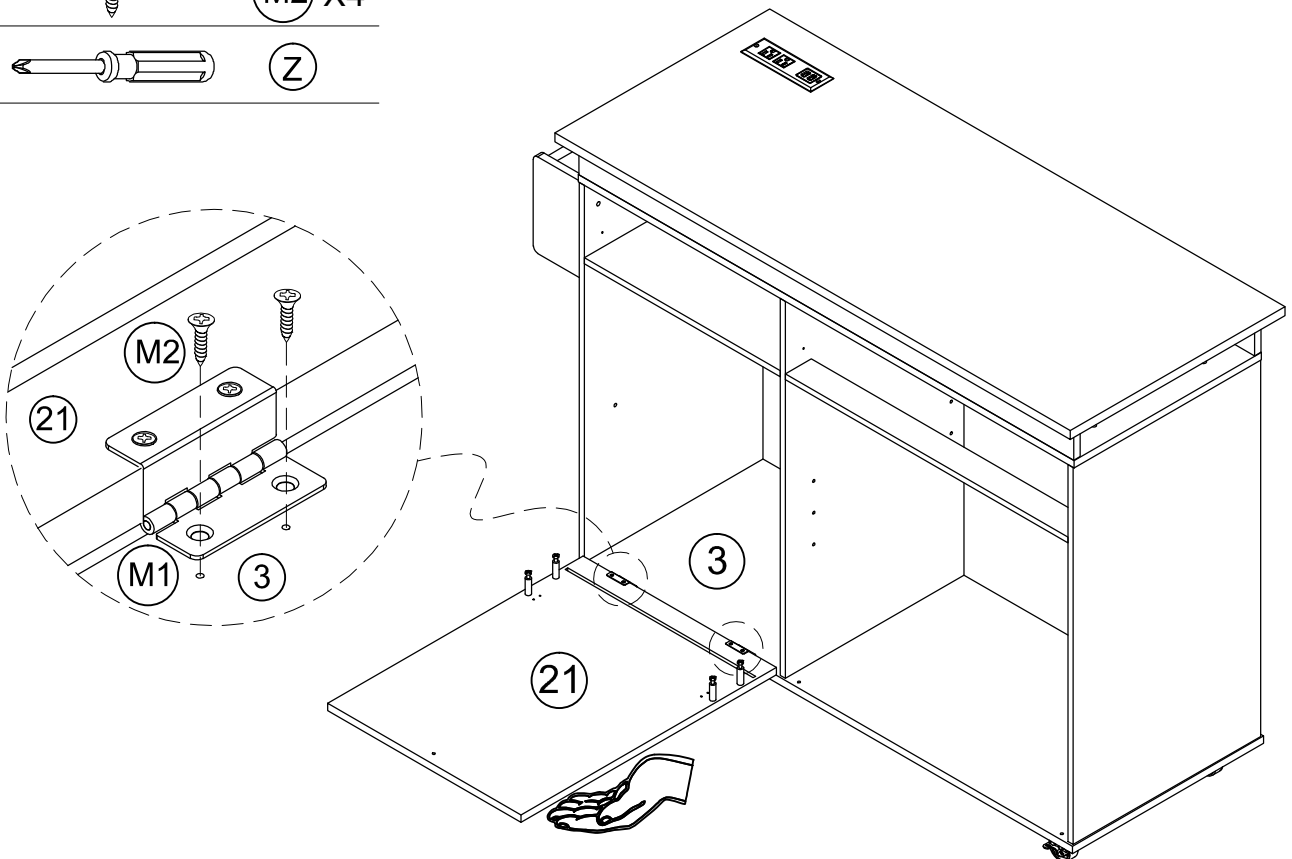
Step 20.

-  (F1) X4
-  (M1) X2
-  (M2) X4
-  (Z)








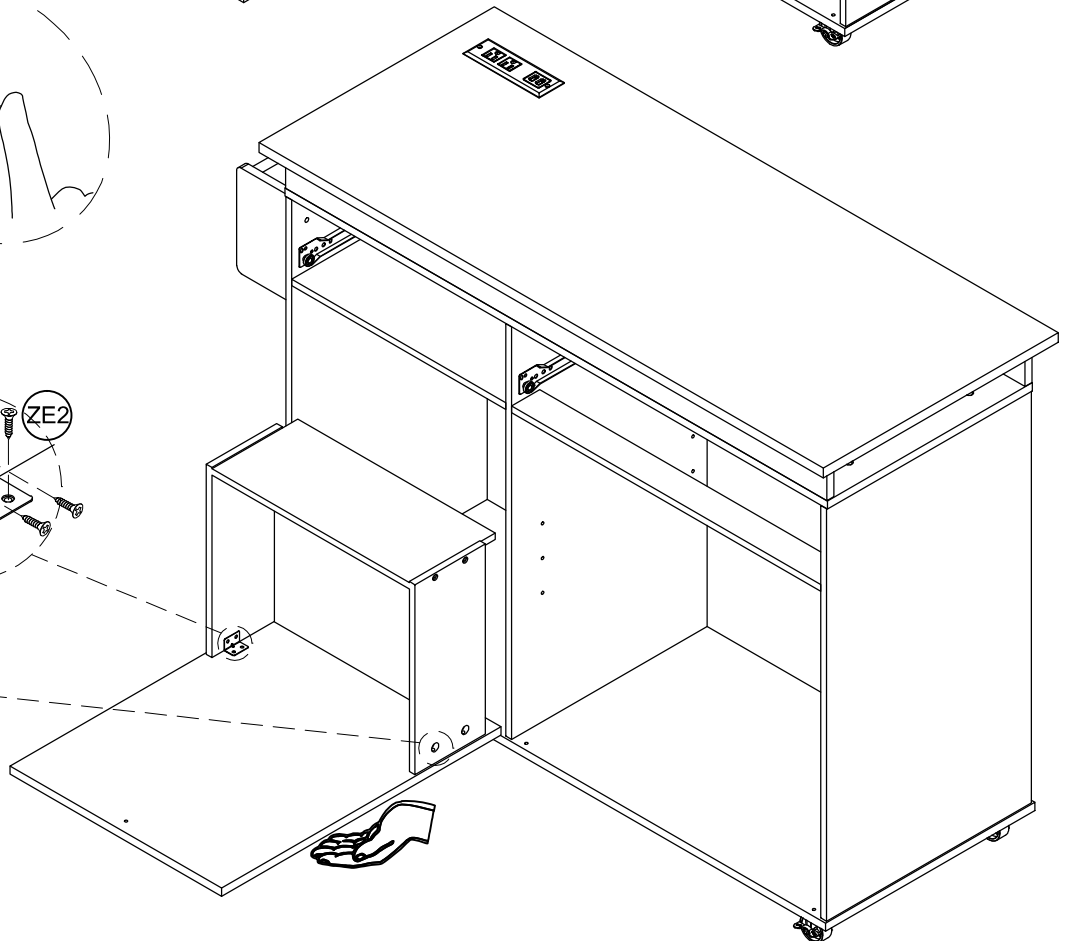
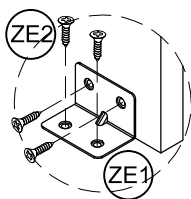
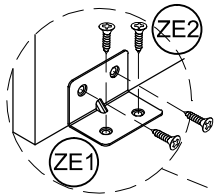
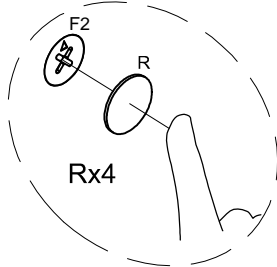
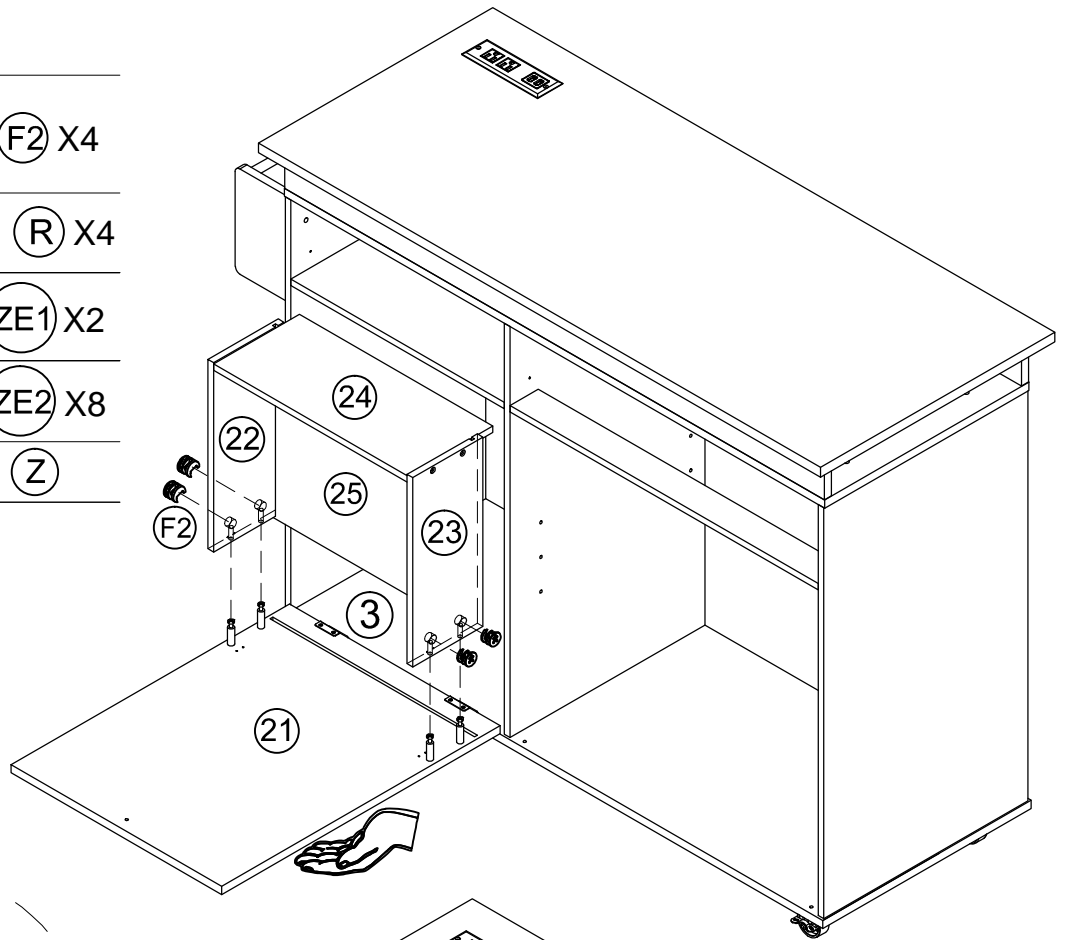
Step 21.

-  (M2) X4
-  (Z)



Step 22.

-  (F2) X4
-  (R) X4
-  (ZE1) X2
-  (ZE2) X8
-  (Z)



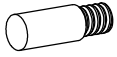
Step 23.



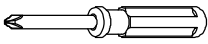
ⓓ1 X1



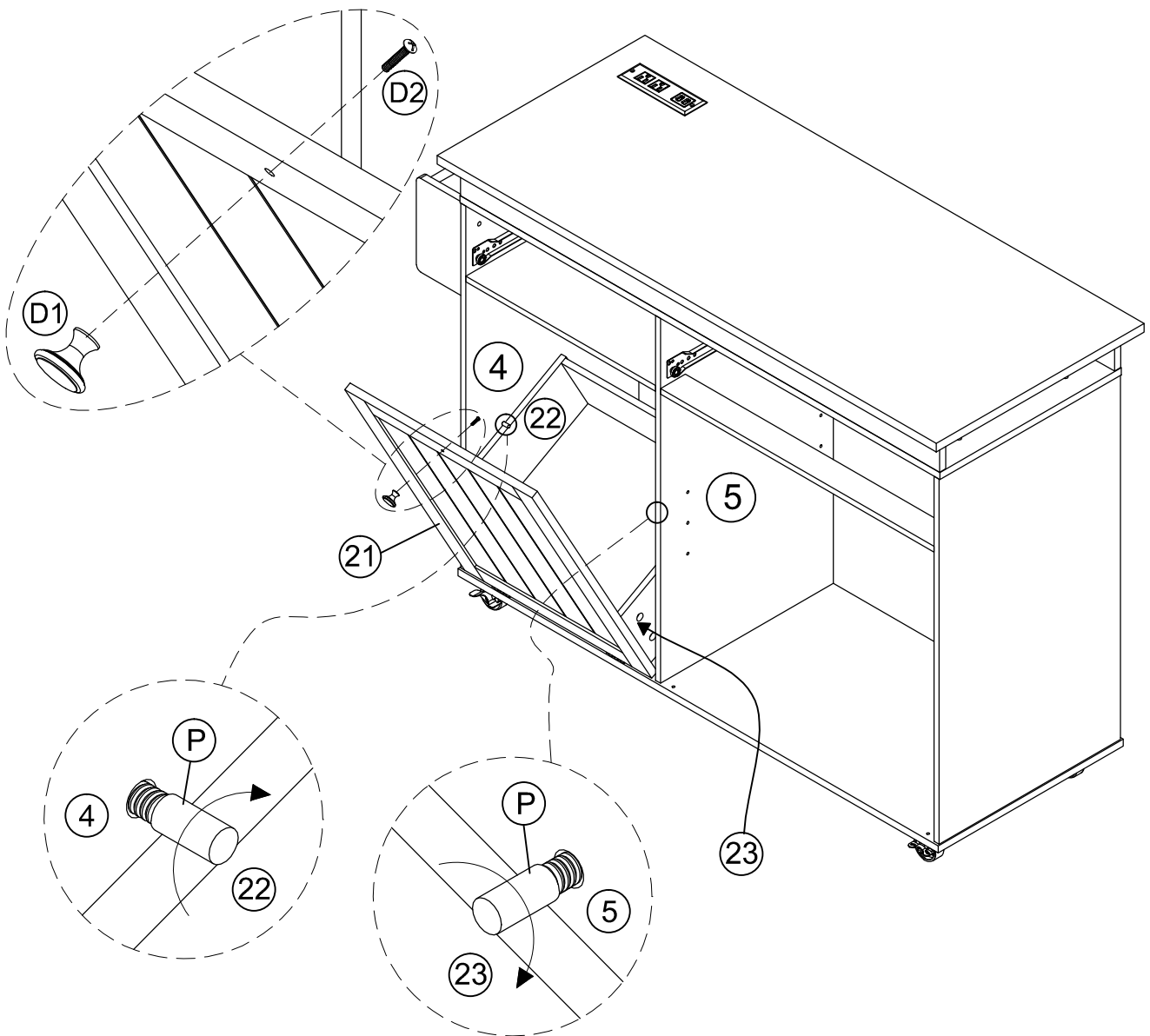
ⓓ2 X1



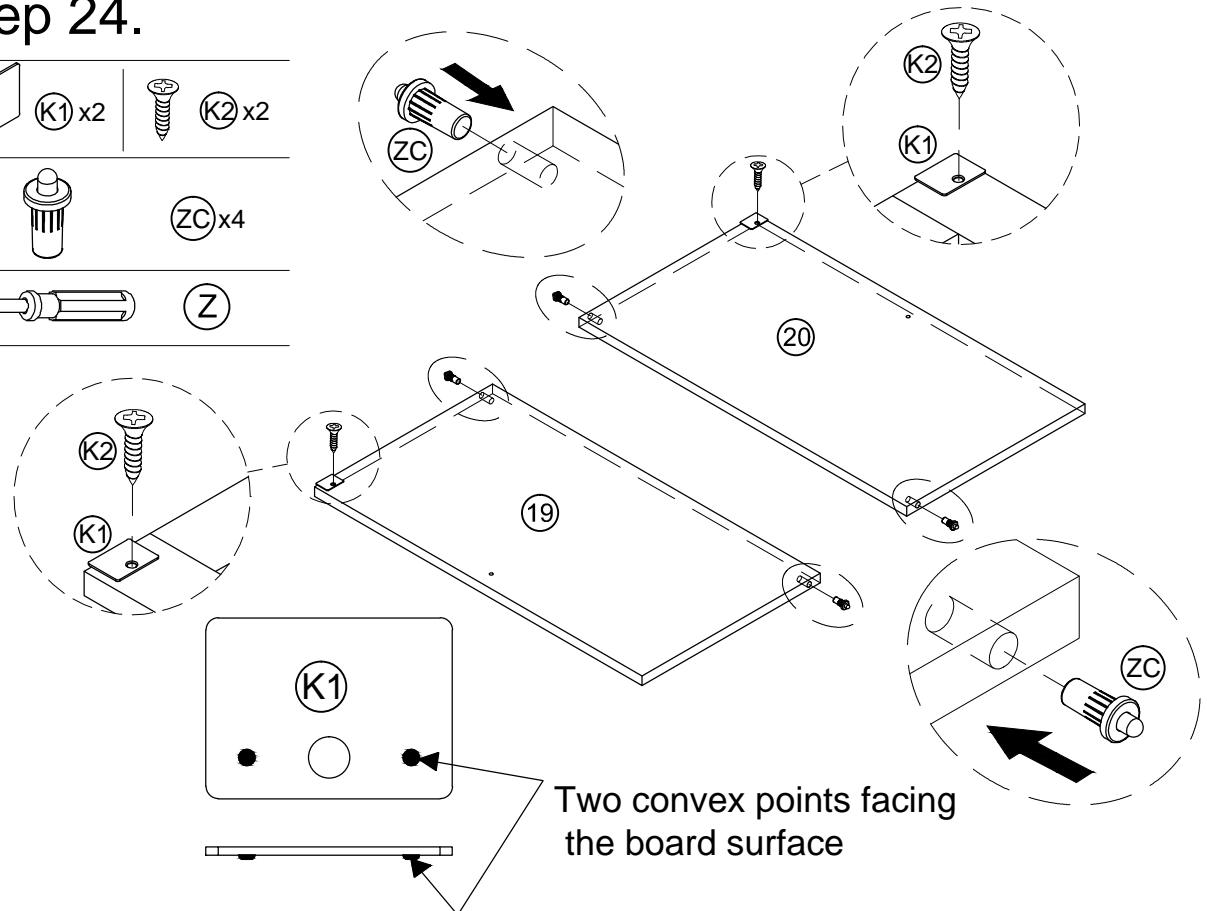
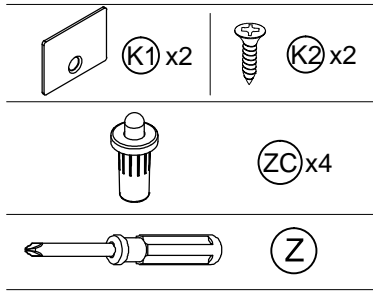
Ⓟ X2



Ⓩ



Step 24.

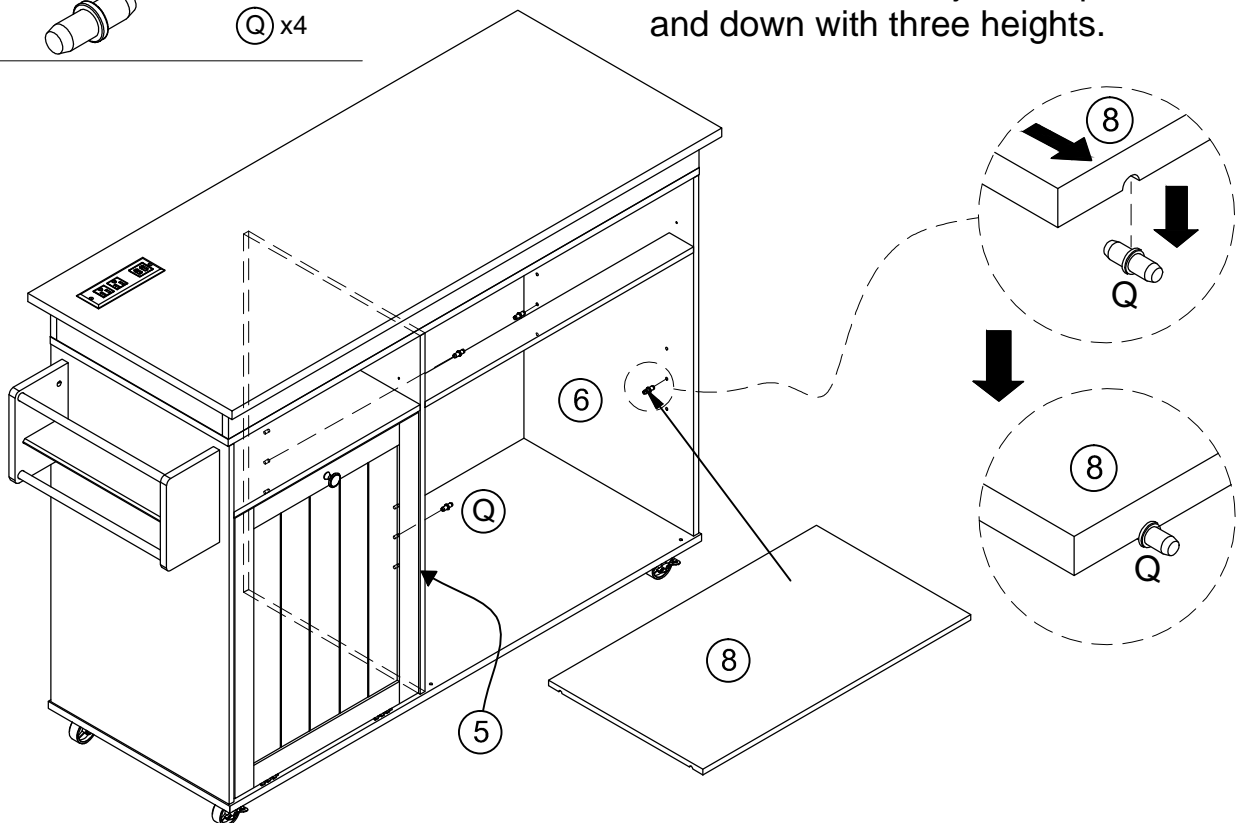


Two convex points facing the board surface



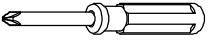
Step 25.

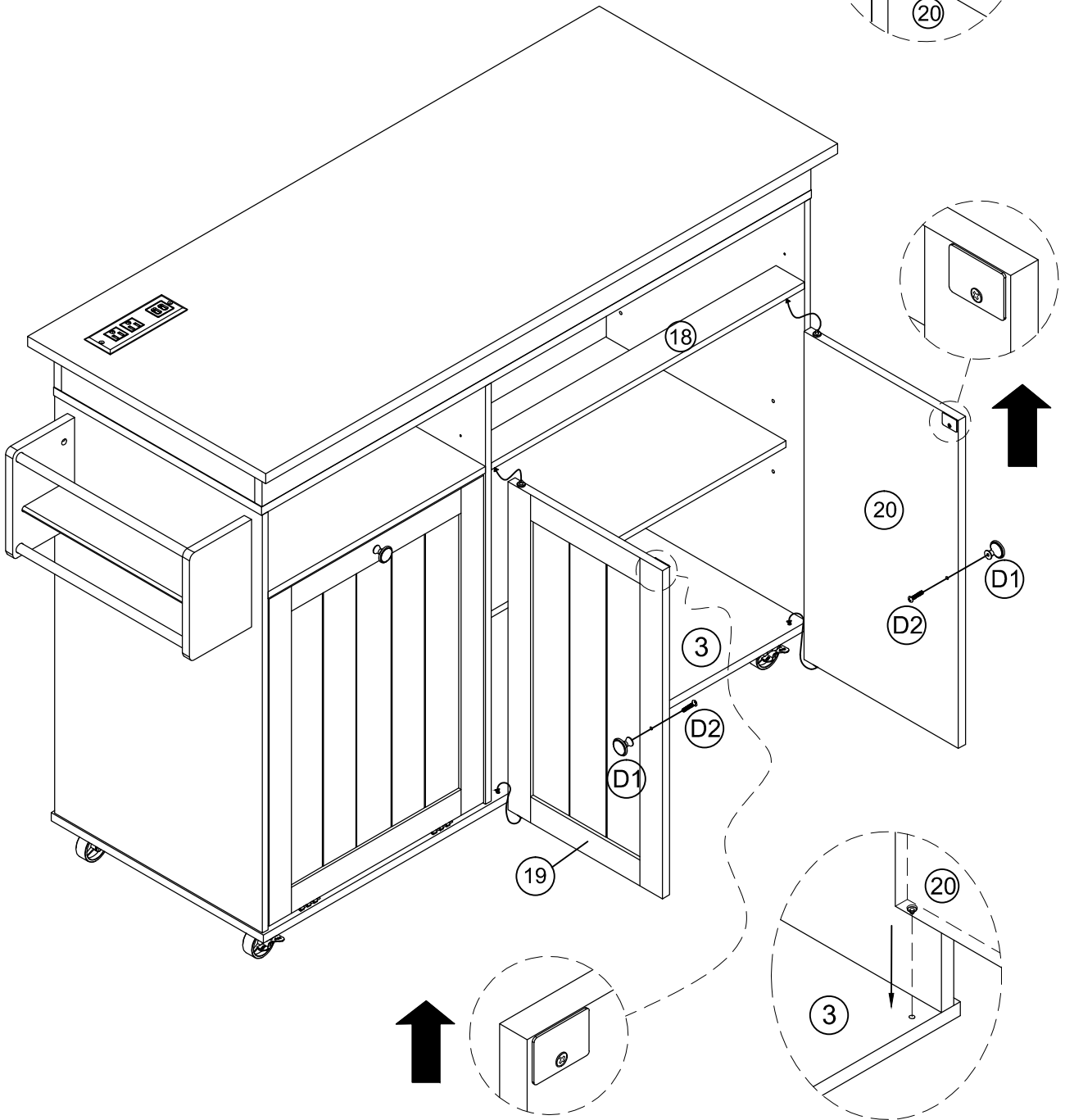
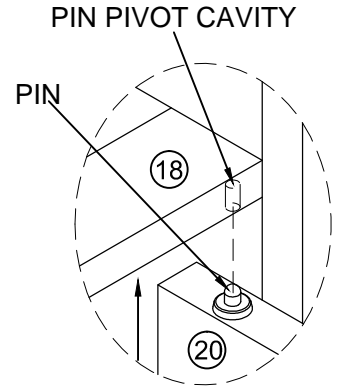


Adjustable for three heights.
The shelf can be adjusted up and down with three heights.



Step 26.

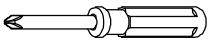
-  (D1) X2
-  (D2) X2
-  (Z)



Step 27.

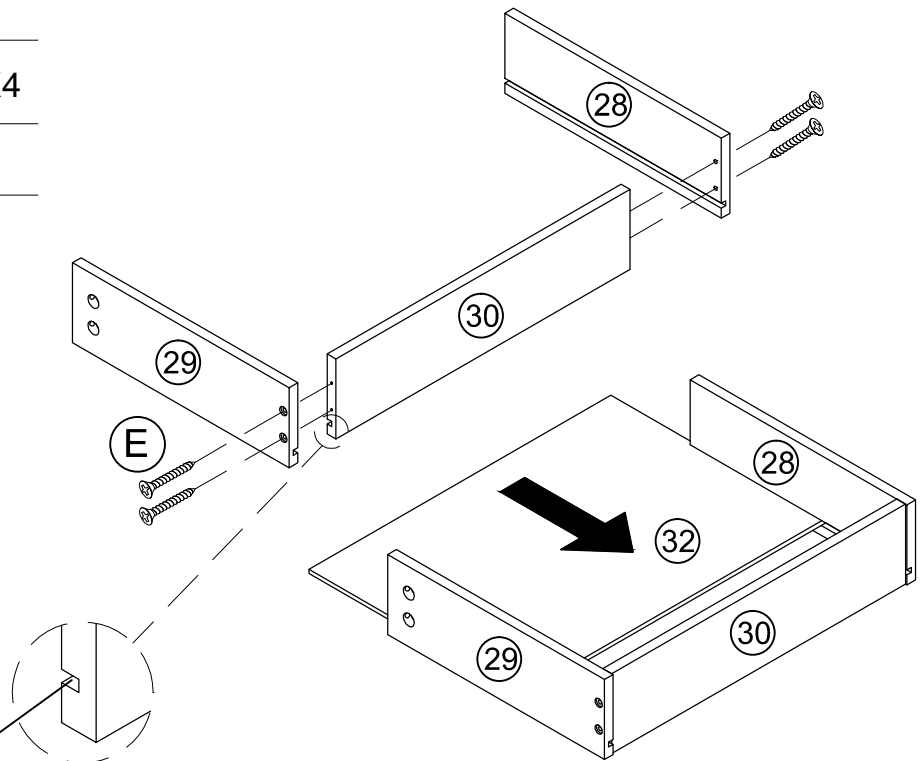


(E) X4

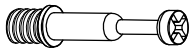


(Z)

Back Groove



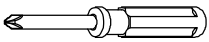
Step 28.



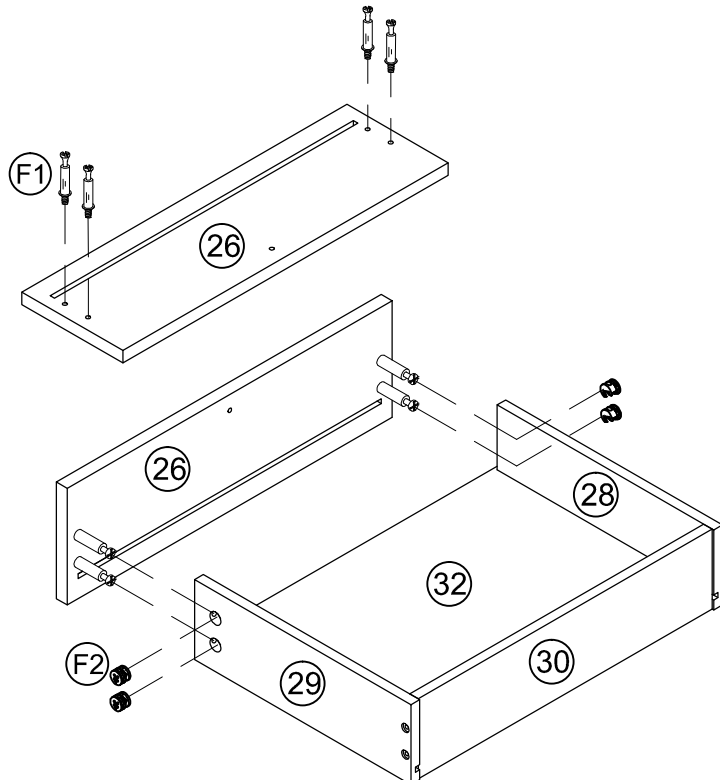
(F1) X4



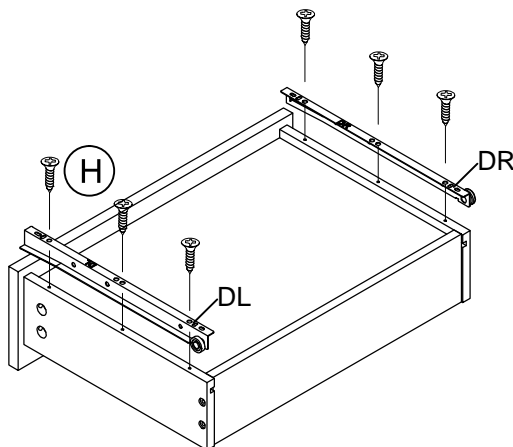
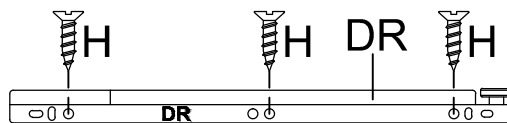
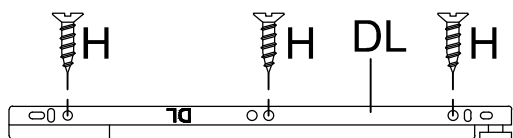
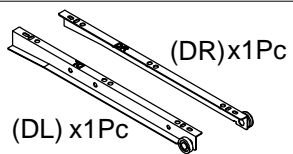
(F2) X4



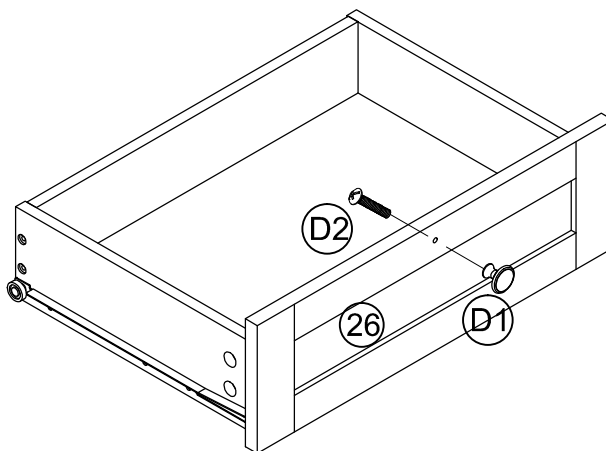
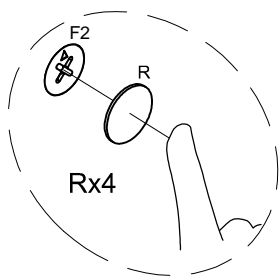
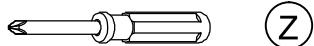
(Z)



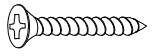
Step 29.



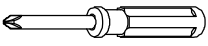
Step 30.



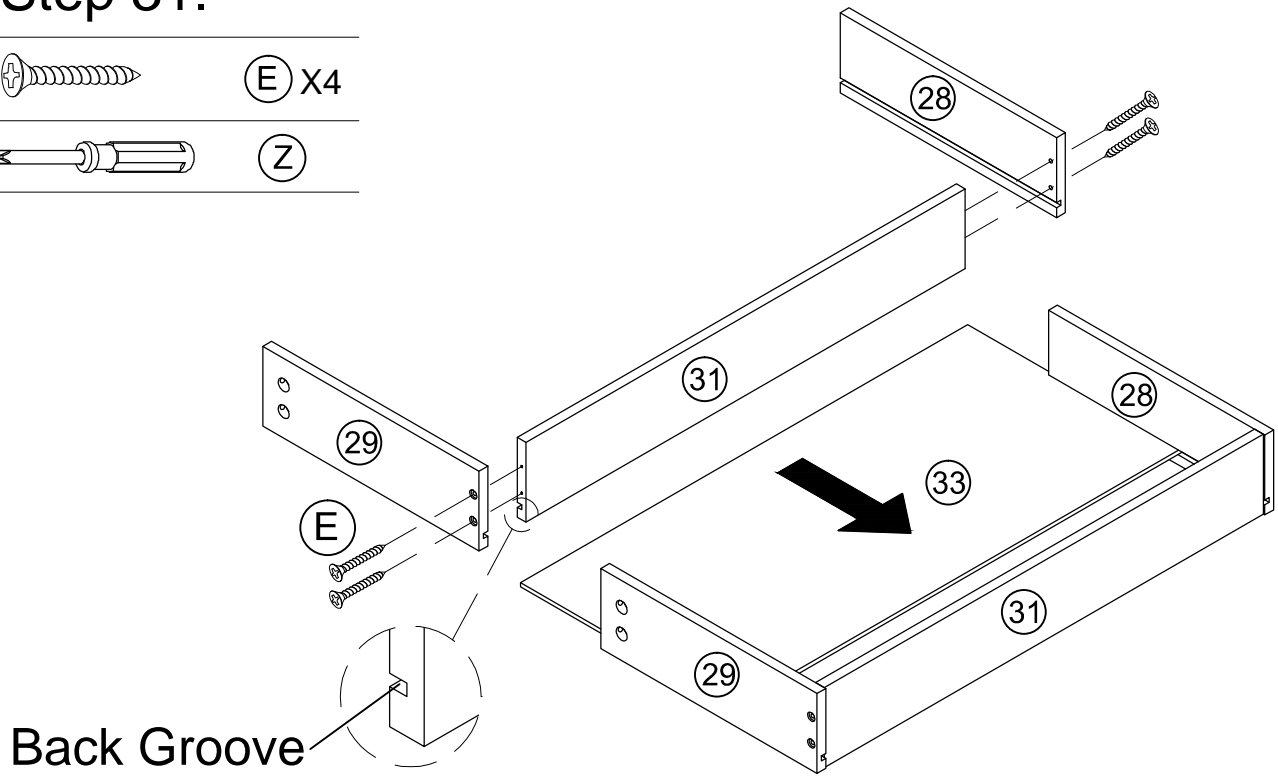
Step 31.



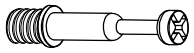
E X4



Z



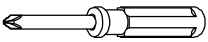
Step 32.



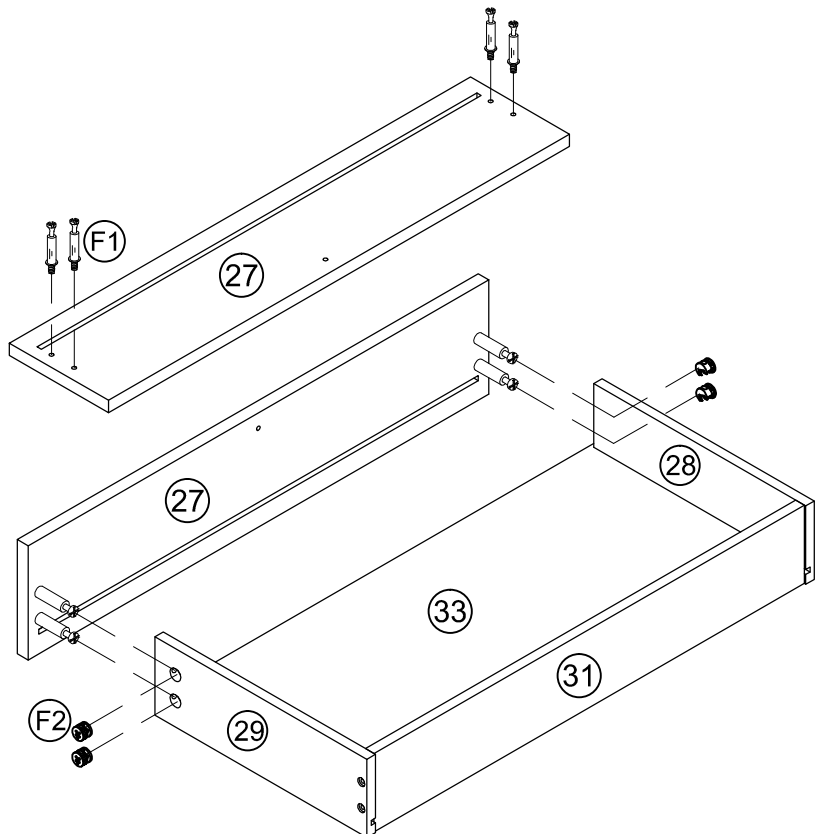
F1 X4



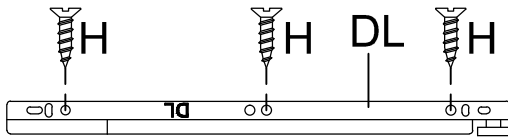
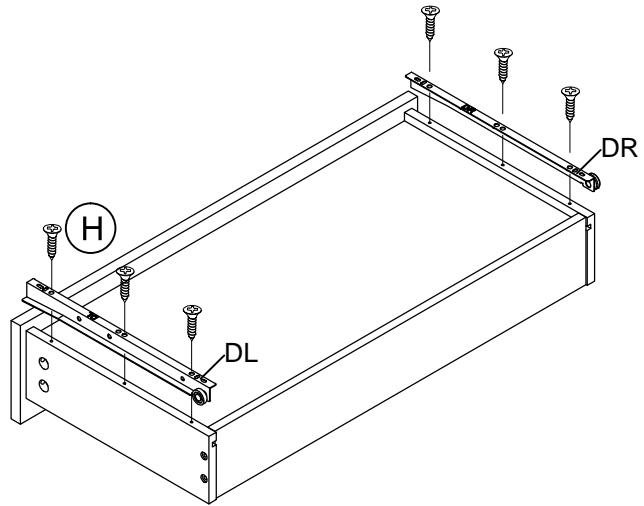
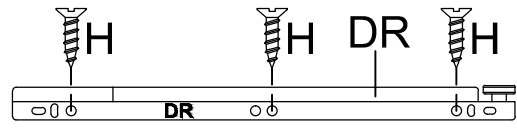
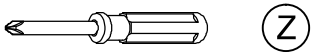
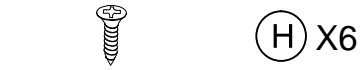
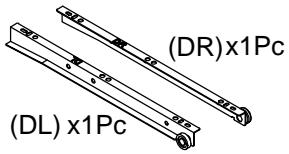
F2 X4



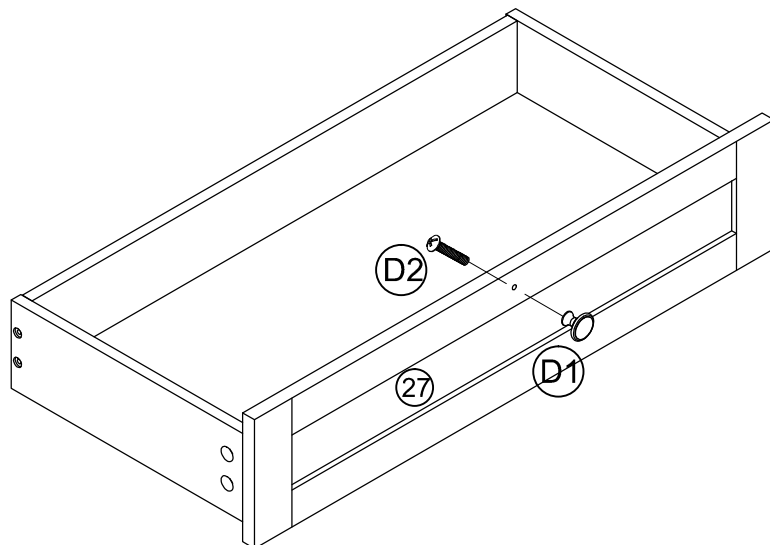
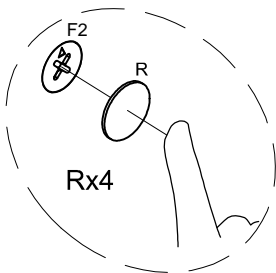
Z





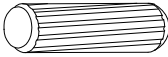

Step 33.

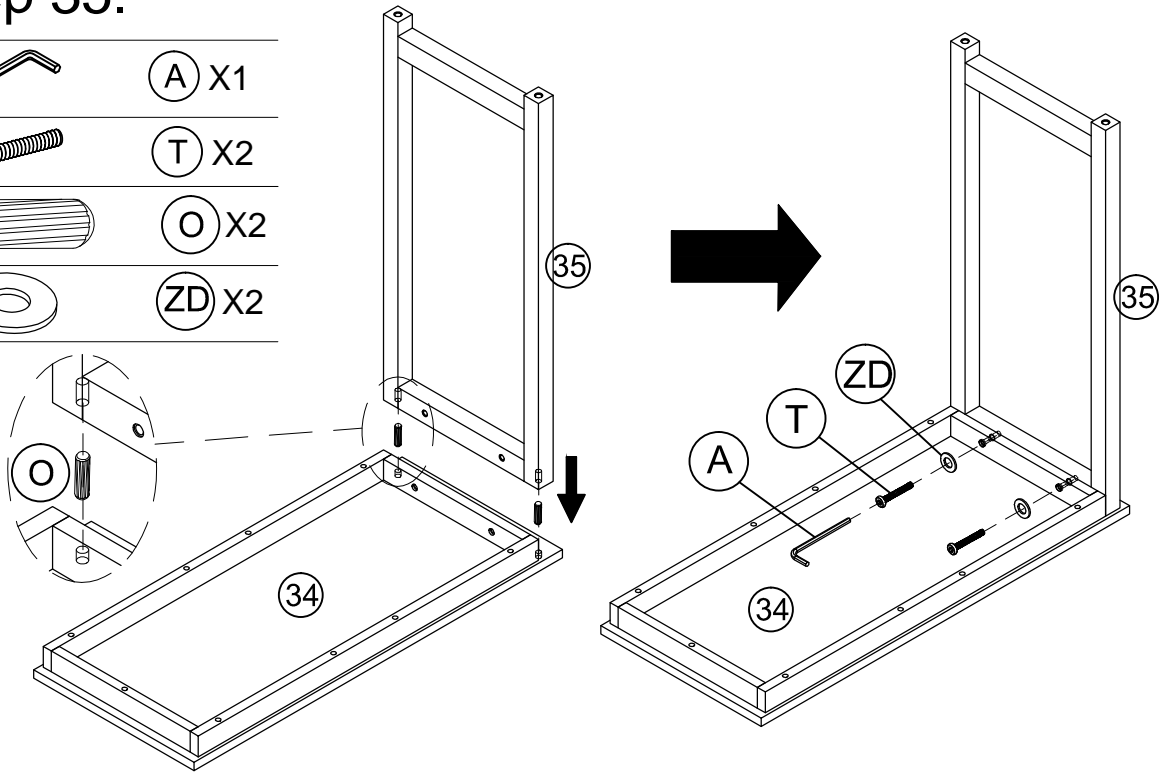


Step 34.





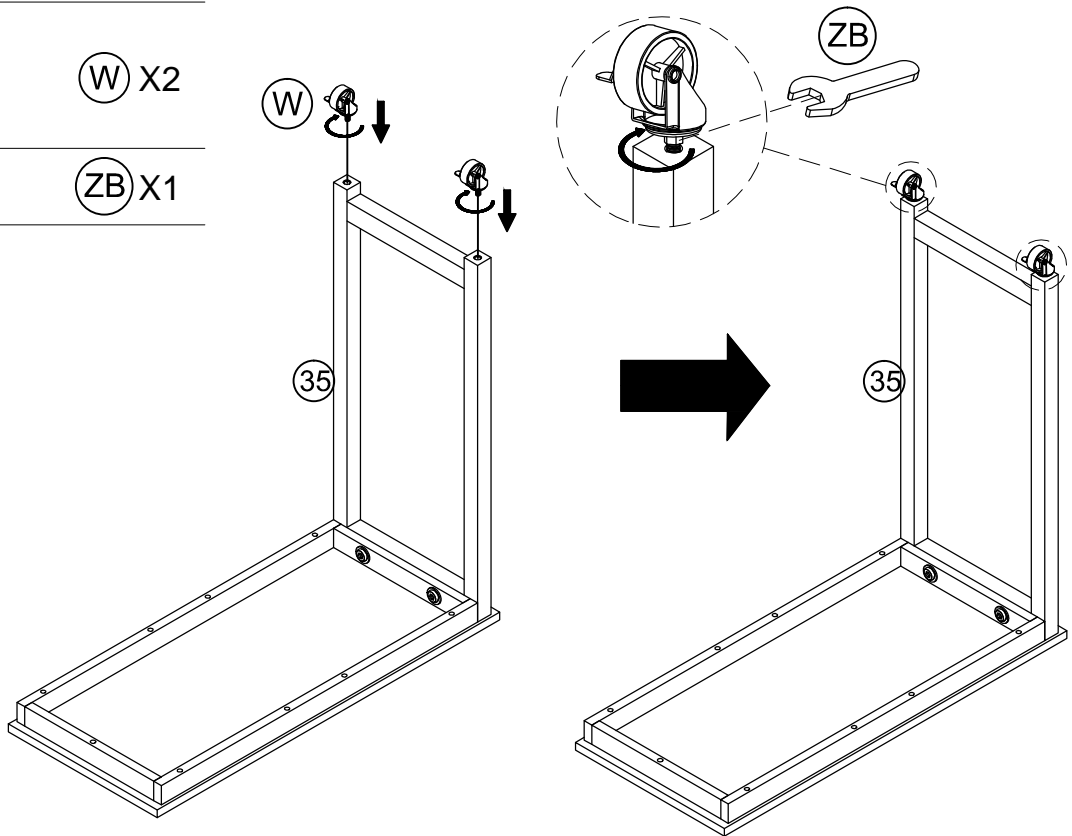
Step 35.

-  (A) X1
-  (T) X2
-  (O) X2
-  (ZD) X2

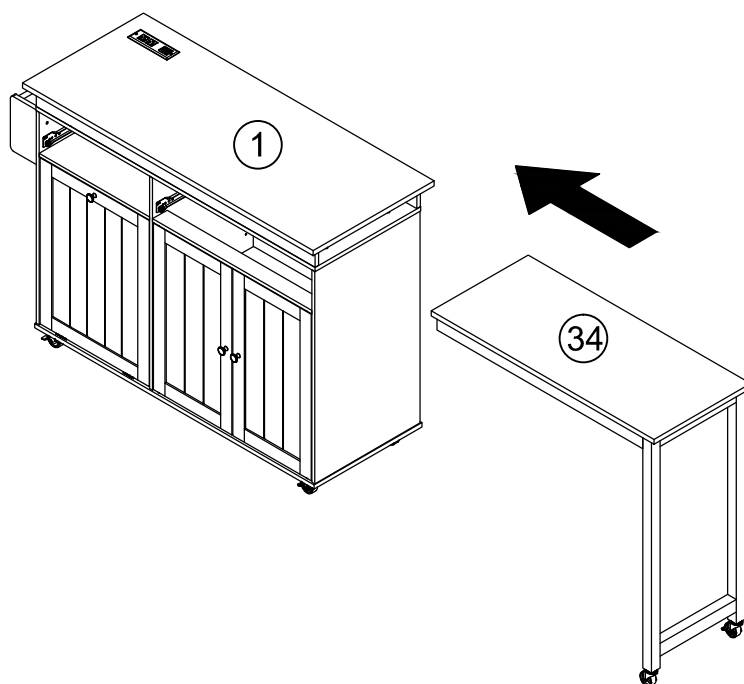


Step 36.

-  (W) X2
-  (ZB) X1



Step 37.



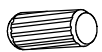
Step 38.



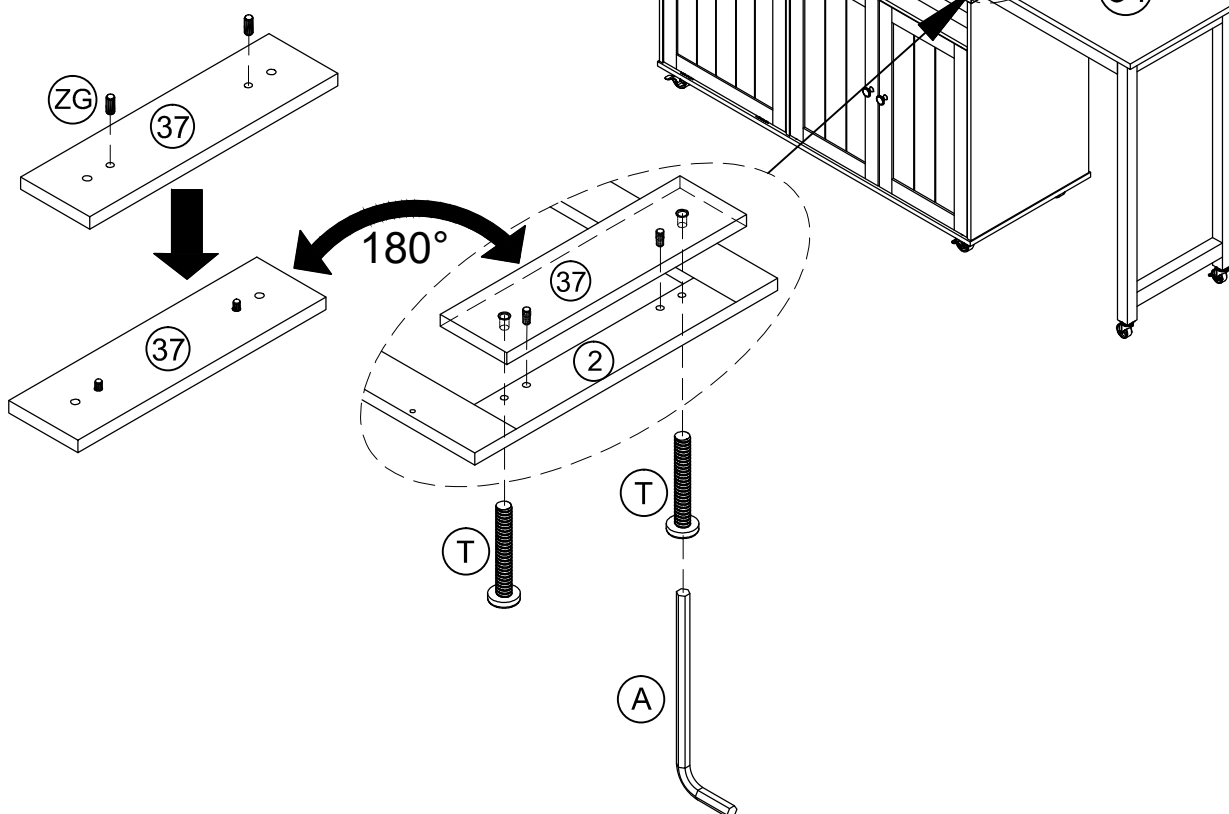
(A) X1



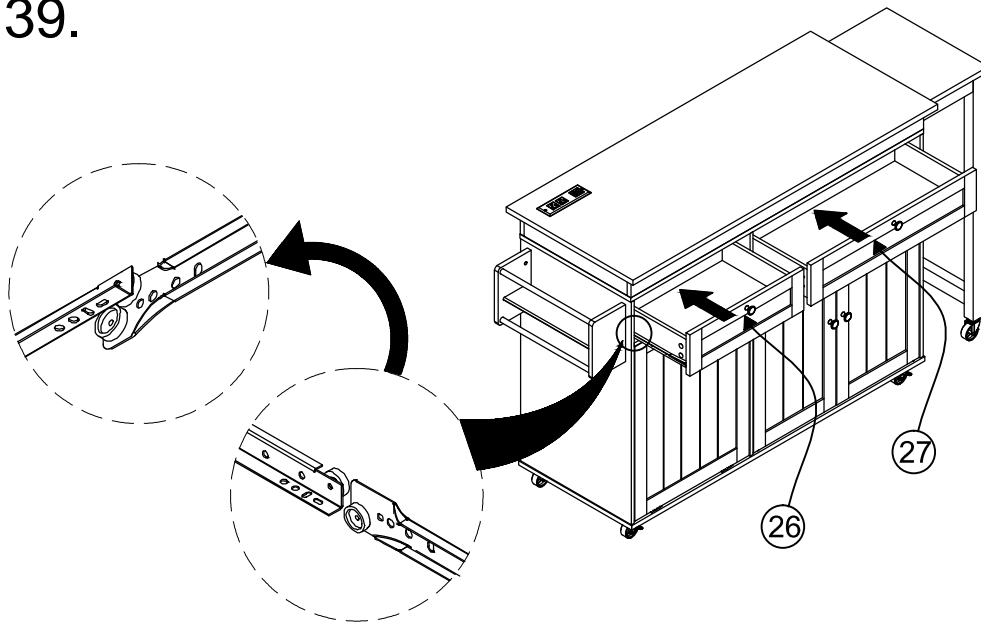
(T) X2



(ZG) X2



Step 39.



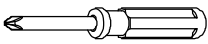
Step 40.



(L1) X16



(L2) X16



(Z)

