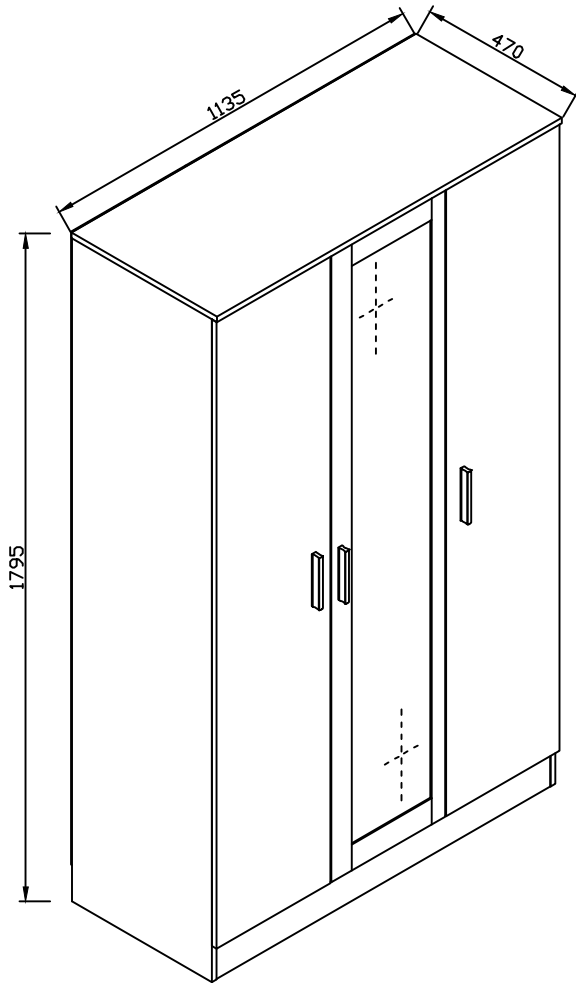


Installation & Assembly

REFLECT-3 DOOR WARDROBE MIRRORED ASSEMBLY INSTRUCTION

please read the instructions thoroughly BEFORE assembling



Size:(W)1135 x (D)470 x (H)1795mm



Please take care with small parts



Please use correct hinges on doors



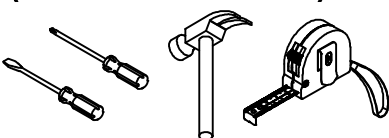
Please do not move item when part or fully assembled

Please Read these instructions BEFORE starting to assemble, to familiarise yourself with the stages of construction and to plan where to assemble the wardrobe. (as moving the item whilst partly assembled or failing to lift the item when fully assembled will cause damaged)

CAREFULLY open the fittings kit and check all parts are present against the instructions. Please DO NOT destroy or dispose of any packing until AFTER completing the final stage of assembly.

CAUTION: Small components are to be KEPT AWAY from young children to avoid the risk of choking.

Tools Required (NOT PROVIDED)



Person Required



Approximate Assembly Time



2 Hour

IMPORTANT-READ CAREFULLY RETAIN THESE INSTRUCTIONS FOR FUTURE REFERENCE .

INFORMATION

- This product is intended for a maximum weight of 50kgs . do not exceed this weight.
- Due to the size of this product we recommend that it is assembled in the room intended for use
- When you are ready to start , make sure that you have the right tools , plenty of space and a clean , dry area for assembly.
- Unwrap all packaging materials and place the components on top of the carton box or on a clean floor to prevent it from scratching.
- Check the pack and make sure you have all the parts listed.
- Ensure that this product is fully assembled as illustrated before use.
- Check all screws or bolts are tightened and inspect regularly .
- This product should only be used on firm , level ground.
- Keep small parts out of reach of children.
- Make sure the legs remain in contact with the ground.
- Tools not included.

WARNINGS

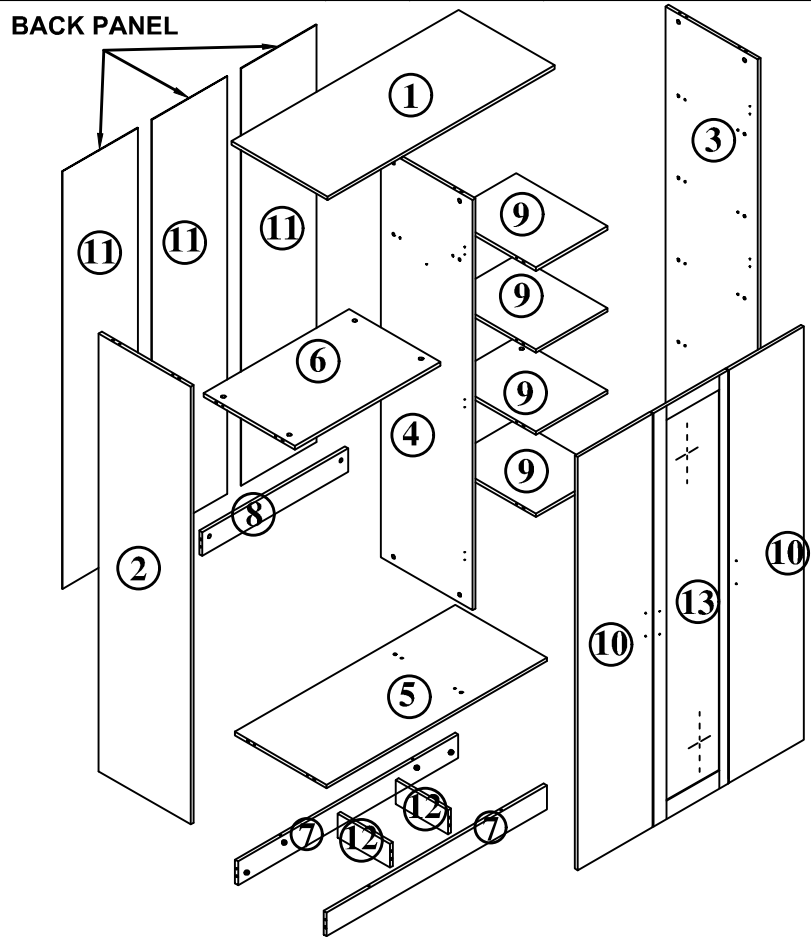
- Do NOT use power tools to construct this product.
- Do NOT tighten screws until fully assembled .
- Do NOT over tighten screws or bolts .
- Do NOT use this product if parts are missing , damaged or worn .
- Do NOT sit or stand on the product .
- We recommend the use of the wall strap provided for safety reasons . N.B. Wall fixings are not included - please source suitable fixings for your wall type . if in doubt please consult a qualified trade person. Warning: Always ensure the area to be drilled is free from hidden electrical wires , water and gas pipes.

CARE INFORMATION

- Never use scourers , abrasives or chemical cleaners.
- To clean wipe with a sponge and warm soapy water . do not use solvent based cleaners or detergents as they can bleach or damage the product.

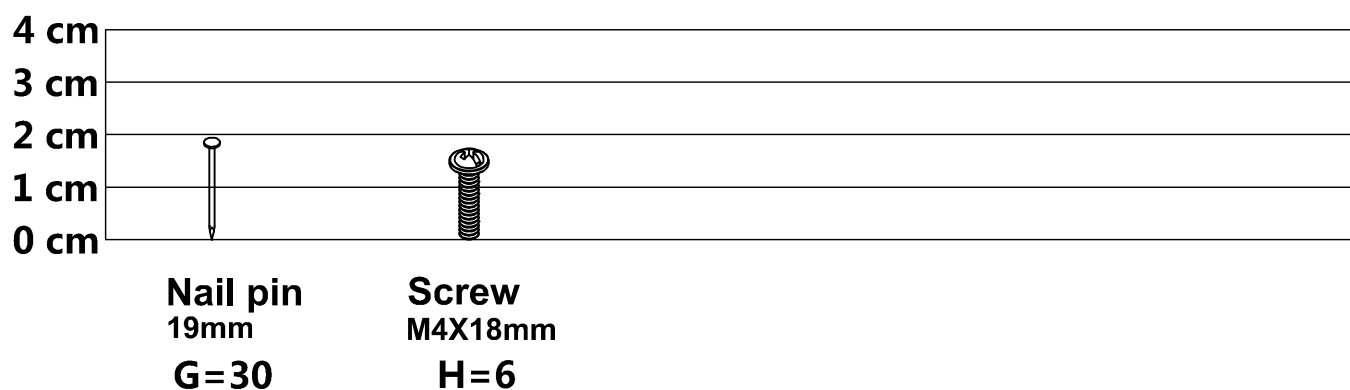
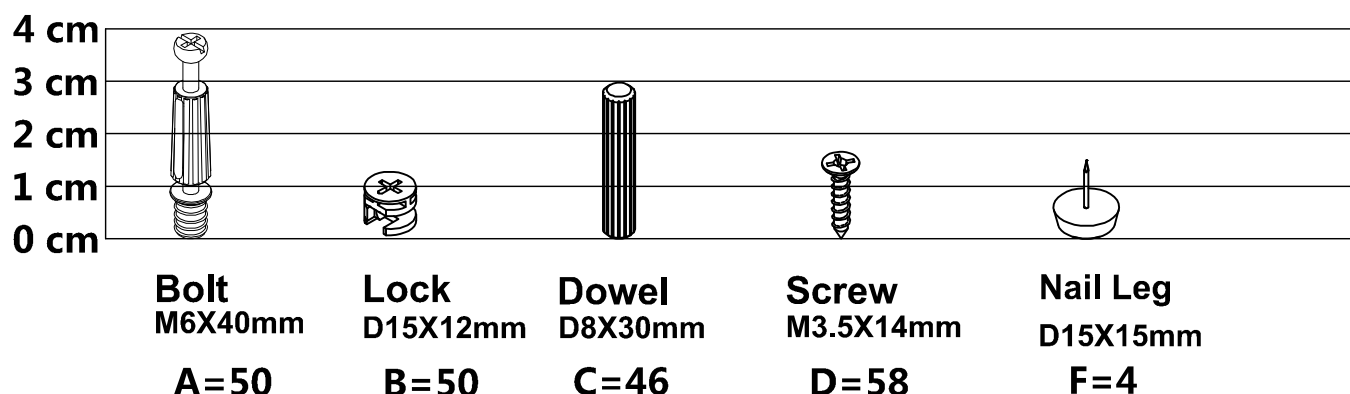
Please check the pack contents before assembling the product. If any components are missing, please contact your retailer. the fittings pack contains small items that should be kept away from small children.

CODE	PART NAME	QTY	CODE	PART NAME	QTY
1	1135X 470 X 15MM TOP PANEL	1PC	8	729 X 90 X 15MM MIDDLE CROSS BAR	1PC
2	1780 X 445 X 15MM LEFT HAND SIDE PANEL	1PC	9	356 X 442 X 15MM SHELF PANEL	4PCS
3	1780 X 445 X 15MM RIGHT HAND SIDE PANEL	1PC	10	1689 X 375 X 15MM DOOR PANEL	2PCS
4	1675 X 444 X 15MM MIDDLE SIDE PANEL	1PC	11	1705 X 375 X 3MM BACK PANEL	3PCS
5	1100 X 444 X 15MM BOTTOM PANEL	1PC	12	412 X 90 X 15MM BASE SUPPORT BAR	2PC
6	729 X 442 X 15MM SHELF PANEL	1PC	13	1689 X 375 X 15MM DOOR PANEL (Mirrored)	1PCS
7	1100 X 90 X 15MM BOTTOM CROSS BAR	2PCS			




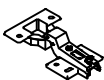
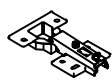





Panels#	Carton	
2.3.4.11.13.	1 OF 2	
Panels#	Carton	3
1.5.6.7.8.9.10x2.12.FITTING KIT ASSEMBLE INSTRUCTIONS	2 OF 2	

Fixings (to scale)

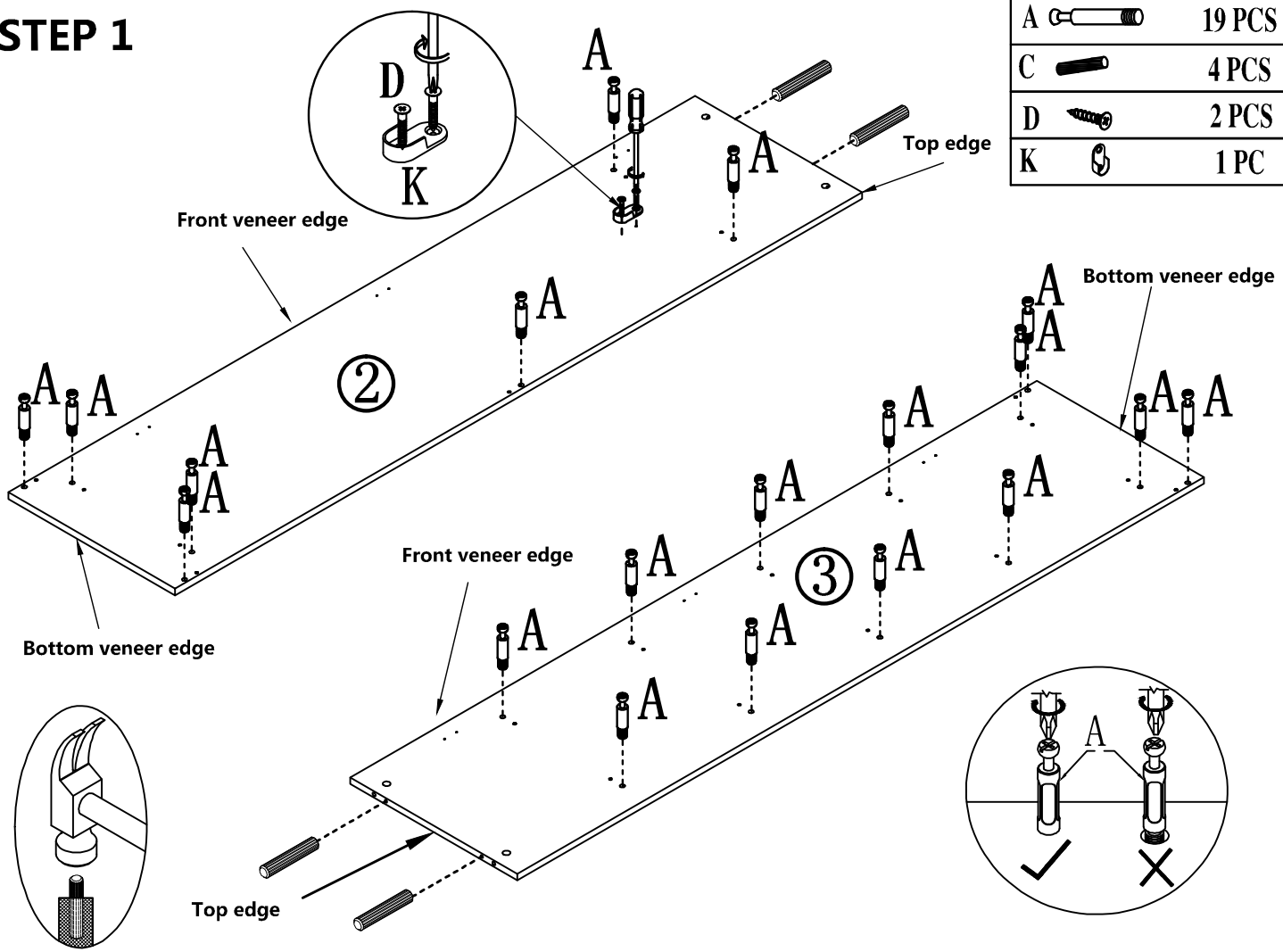


Fixings (not to scale)

Handle  L128mm J=3	Hanging Rail Support  K=2	Hanging Rail  L723mm L=1	Hinge  I=3	Hinge  E=6	OPTIONAL REQUIREMENT Bracket / Strap  M=1
OPTIONAL REQUIREMENT Spanner  M4 N=1	OPTIONAL REQUIREMENT CONNECTING SCREWS  M6X20mm O=4		Please ensure that parts I & J are kept separately		

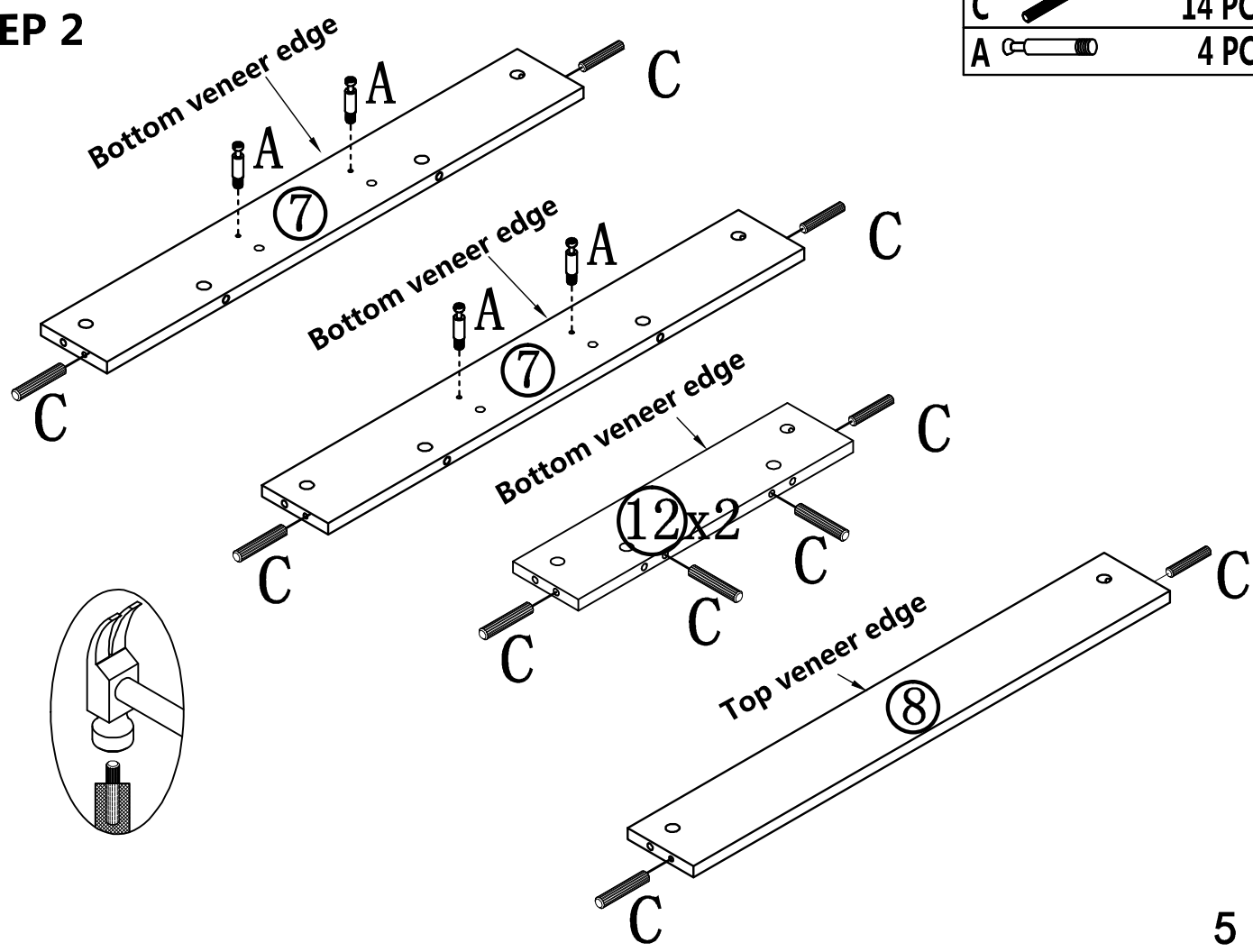
STEP 1

A		19 PCS
C		4 PCS
D		2 PCS
K		1 PC



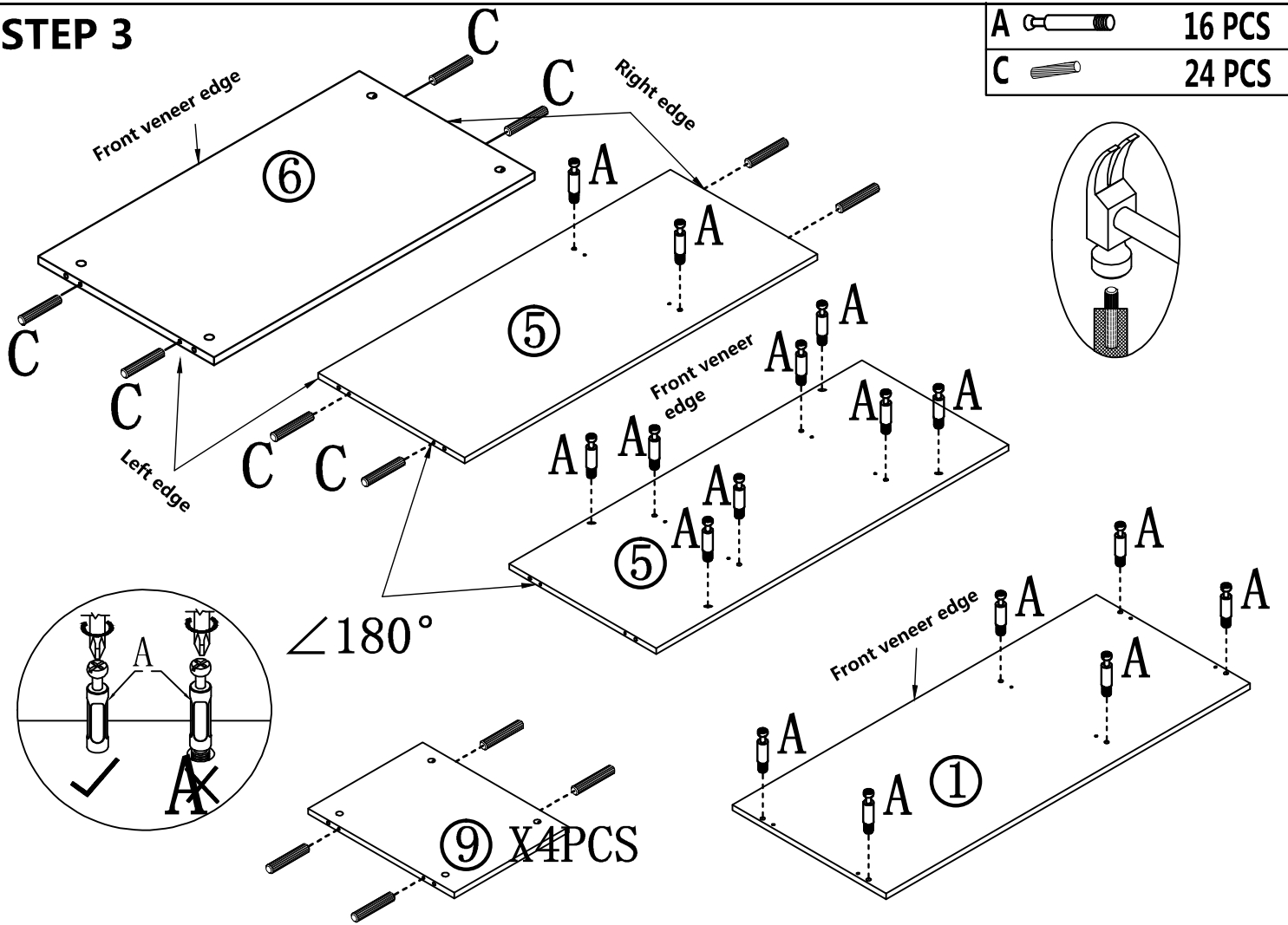
STEP 2

C		14 PCS
A		4 PCS



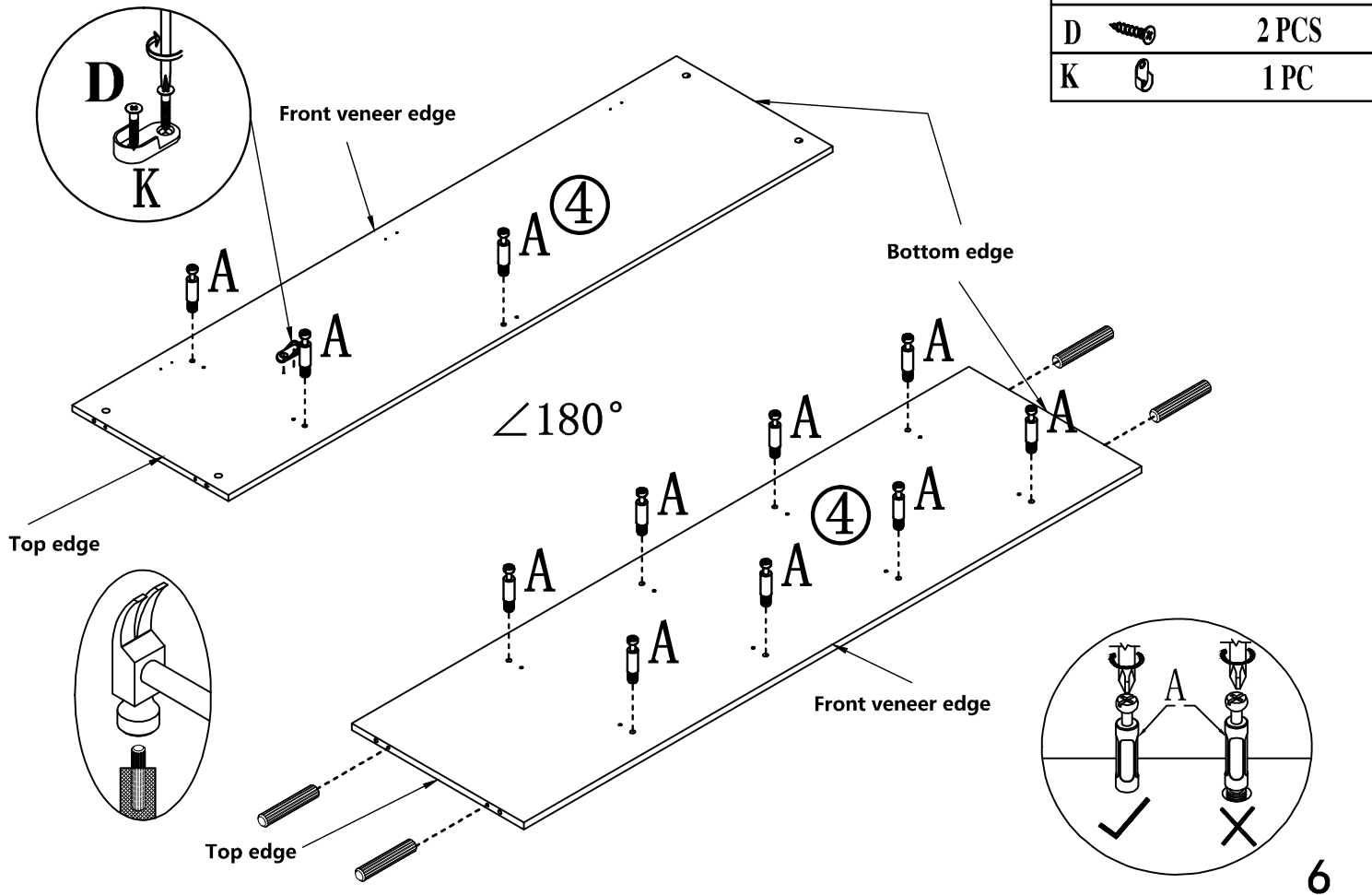
STEP 3

A		16 PCS
C		24 PCS



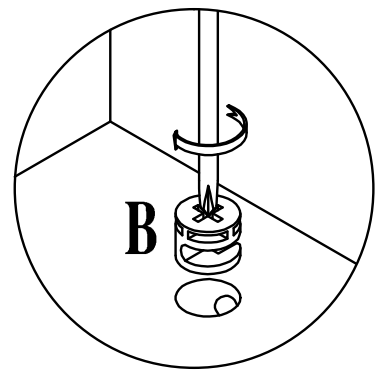
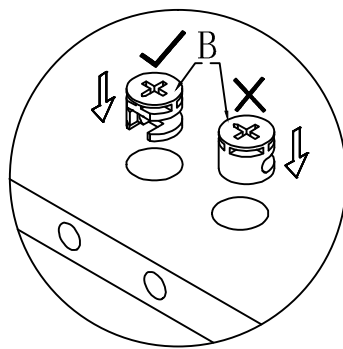
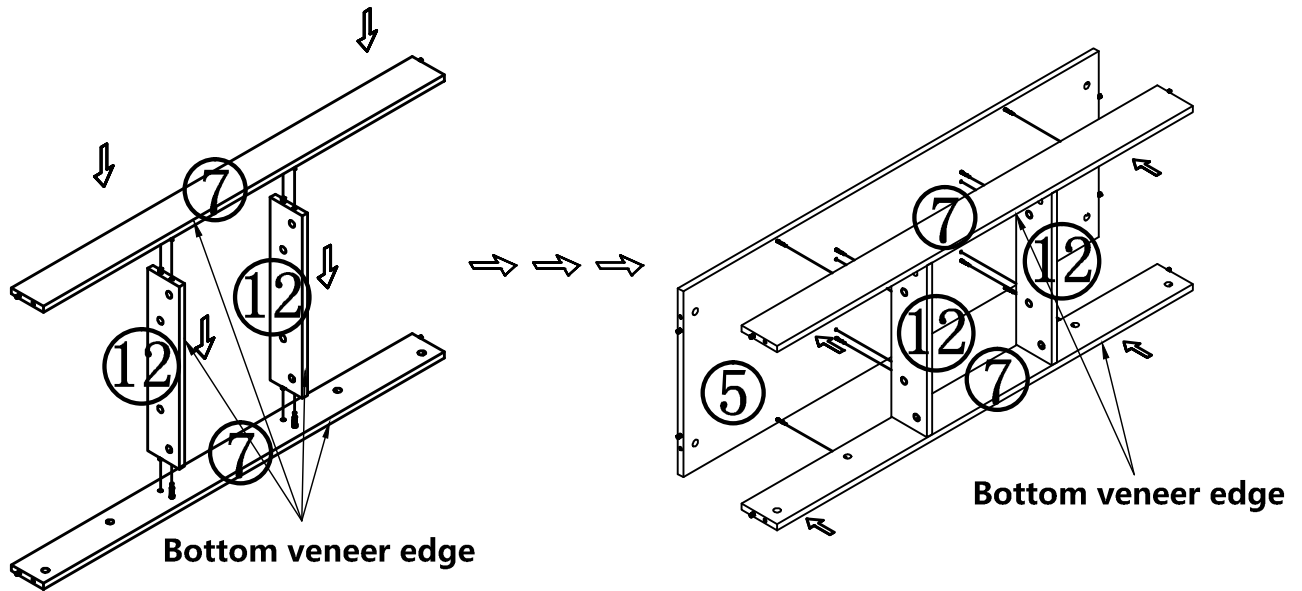
STEP 4

A		11 PCS
C		4 PCS
D		2 PCS
K		1 PC



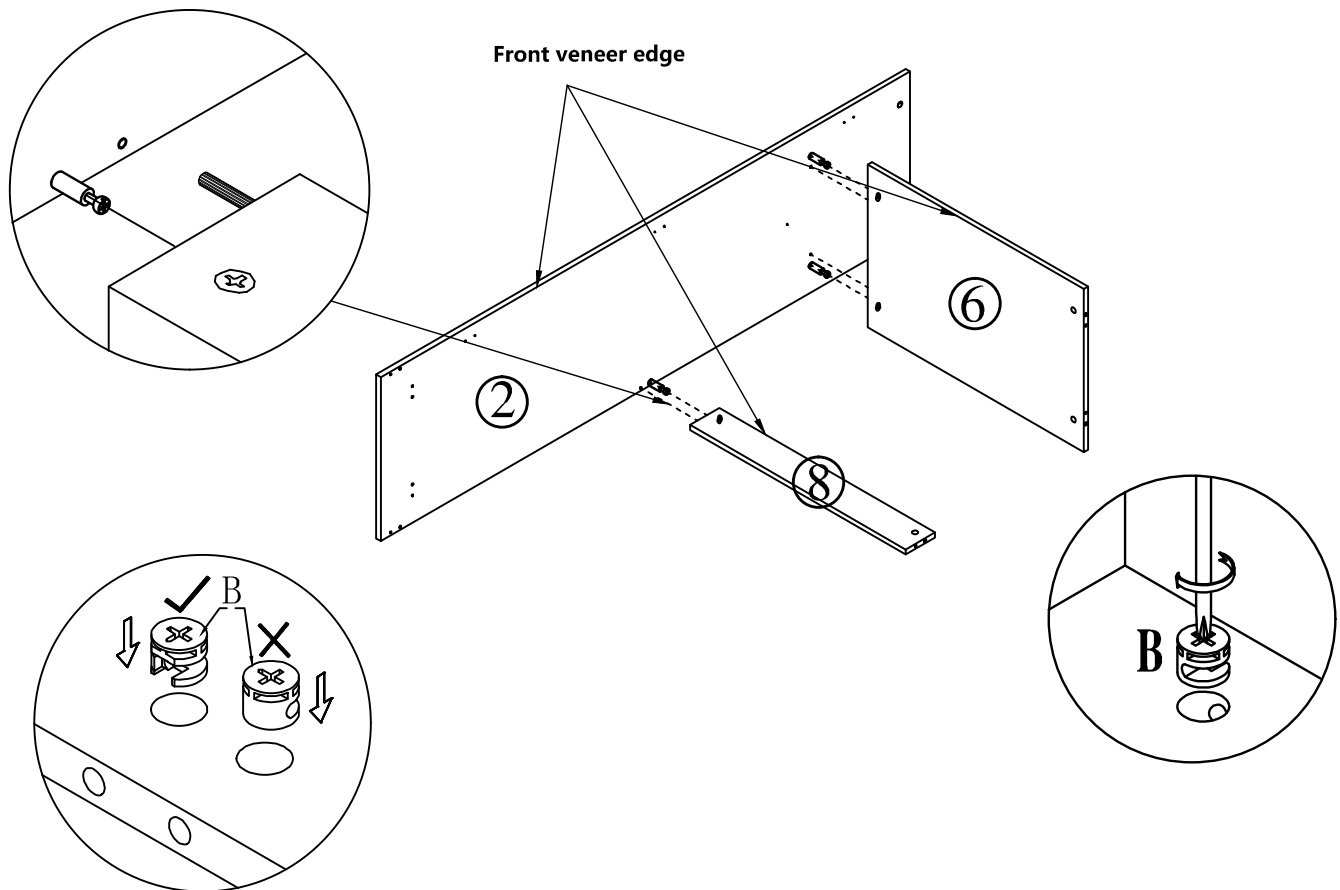
STEP 5

B  12 PCS




STEP 6

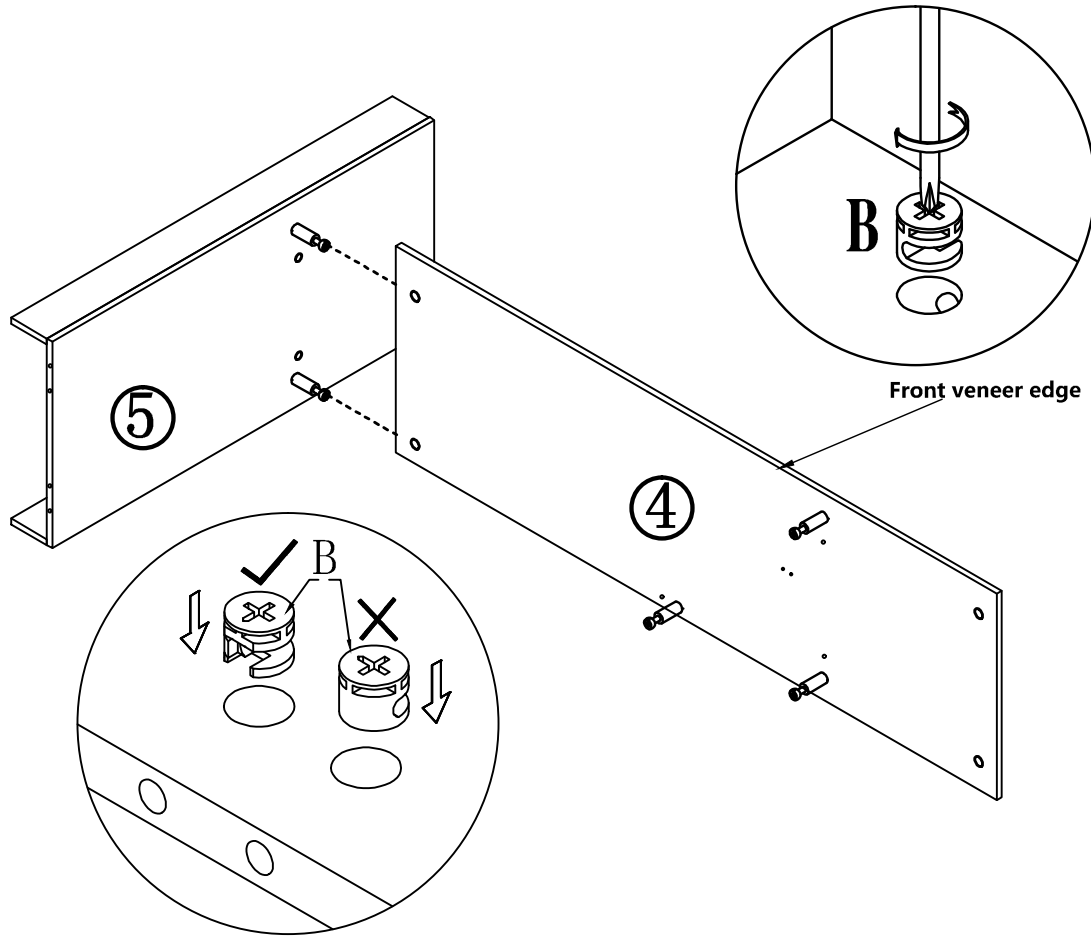
B  3 PCS



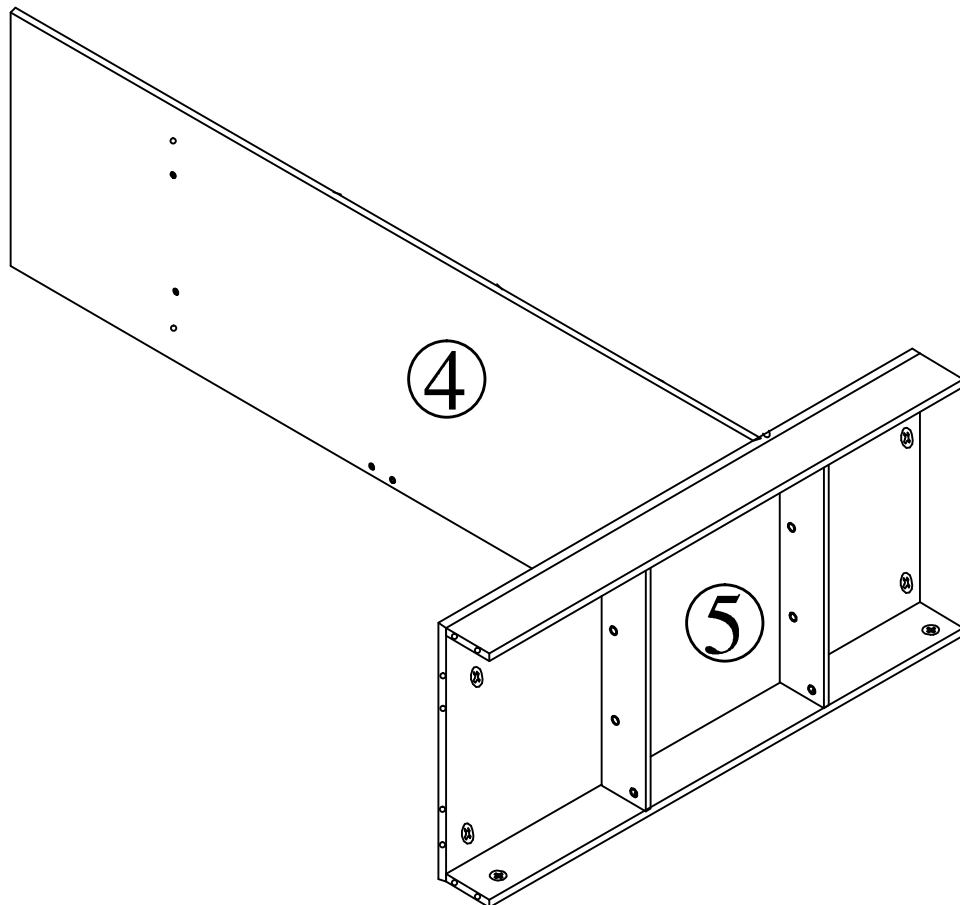
STEP 7

B 

2 PCS



STEP 8



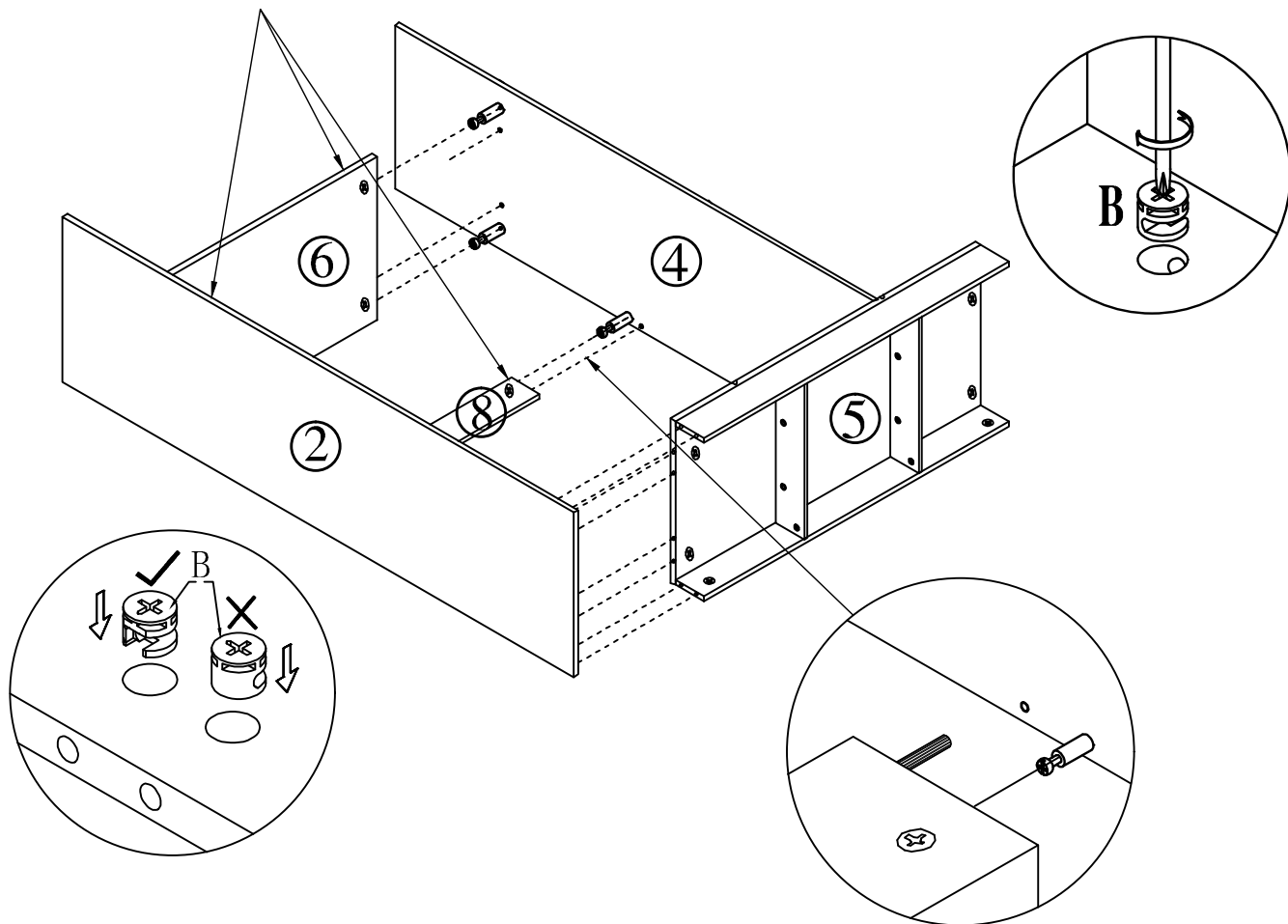
STEP 9

B

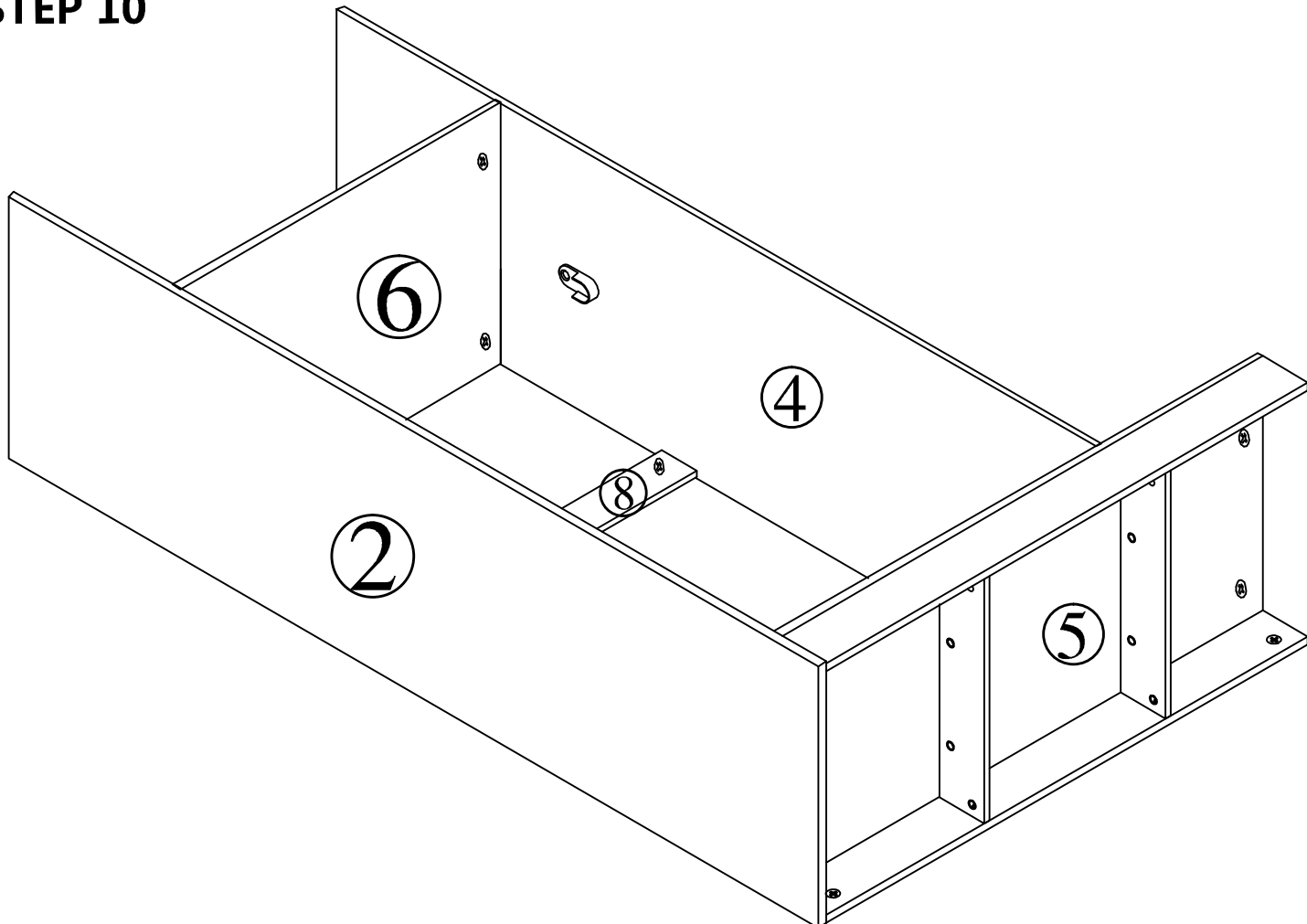


7 PCS

Front veneer edge



STEP 10

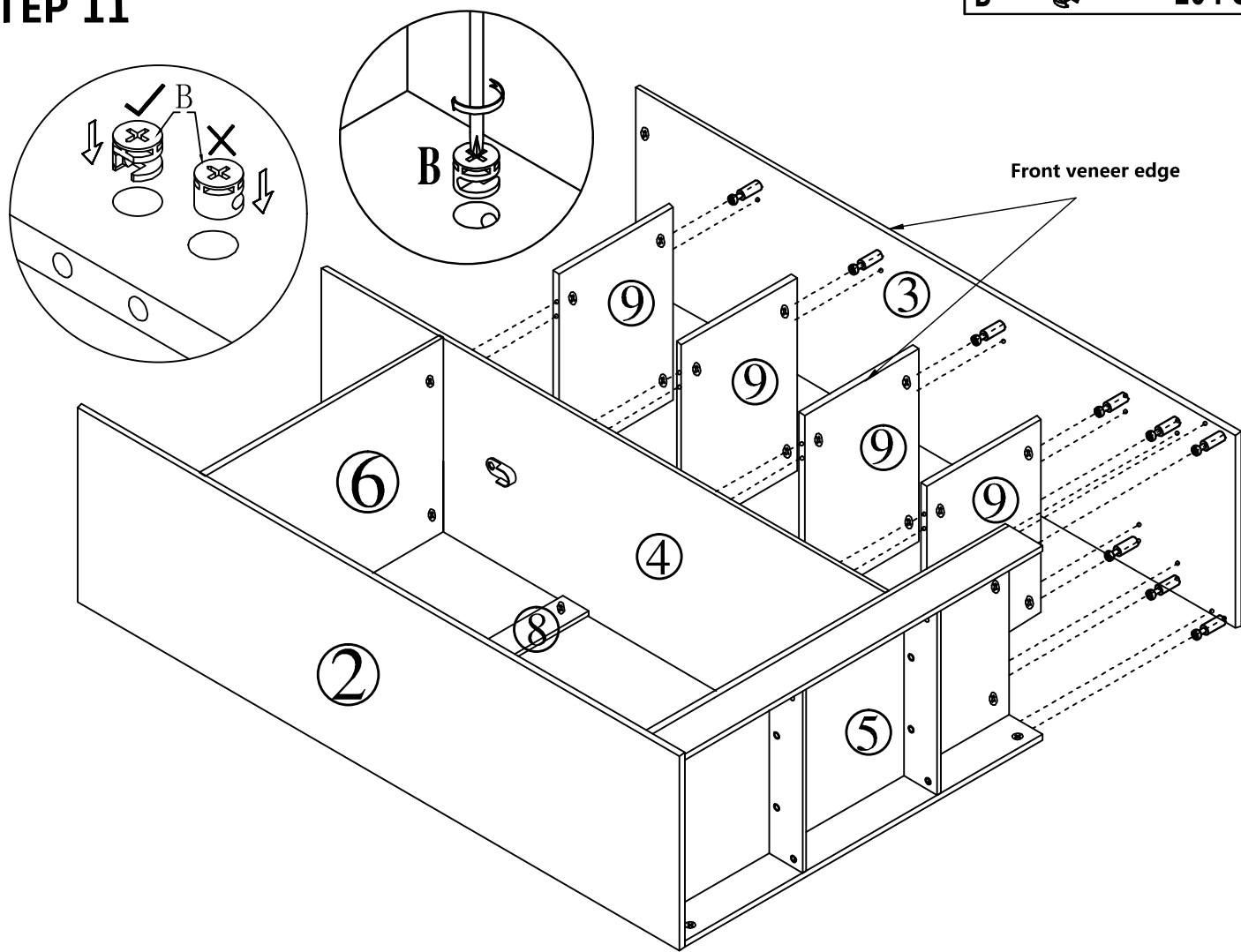


STEP 11

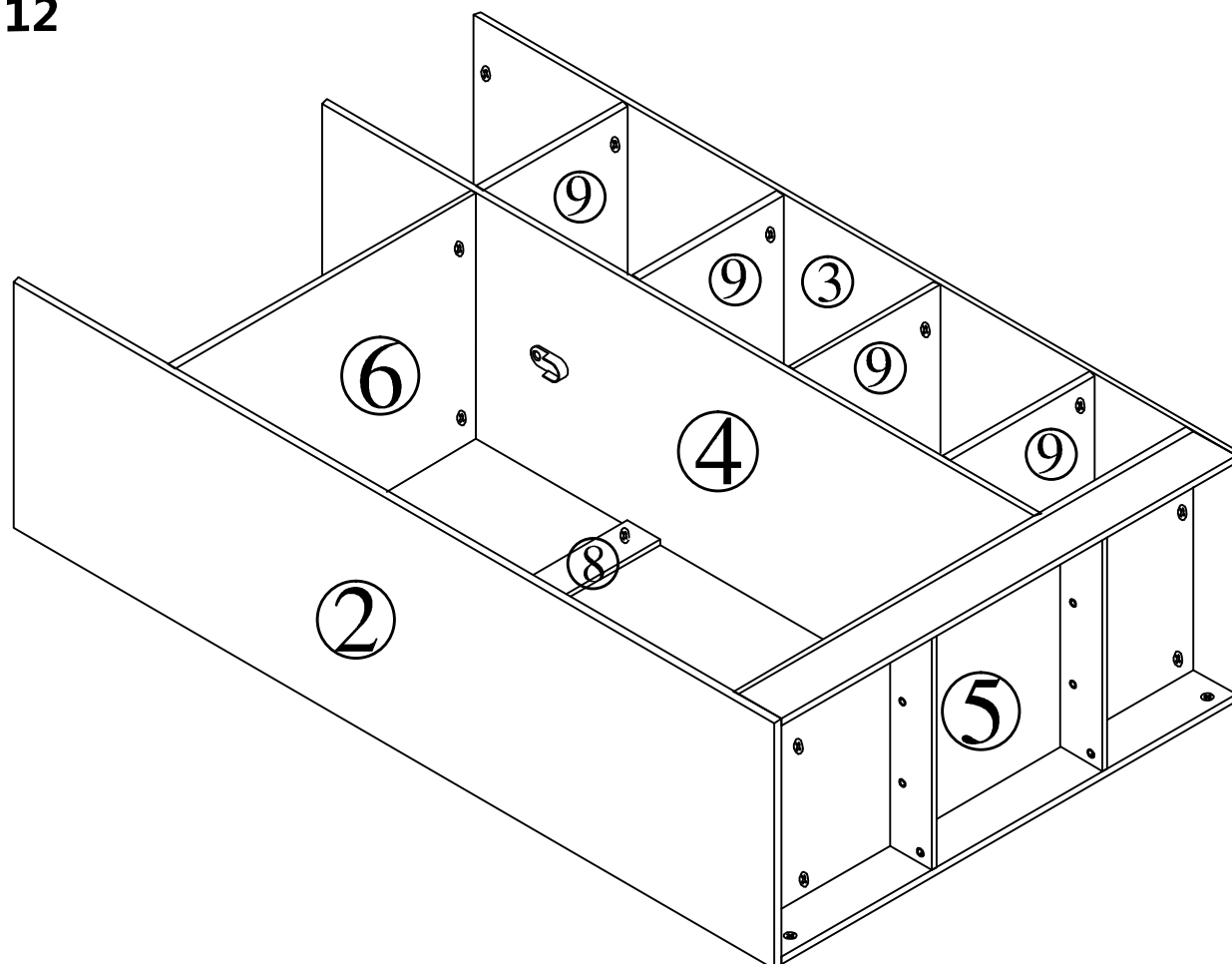
B



20 PCS

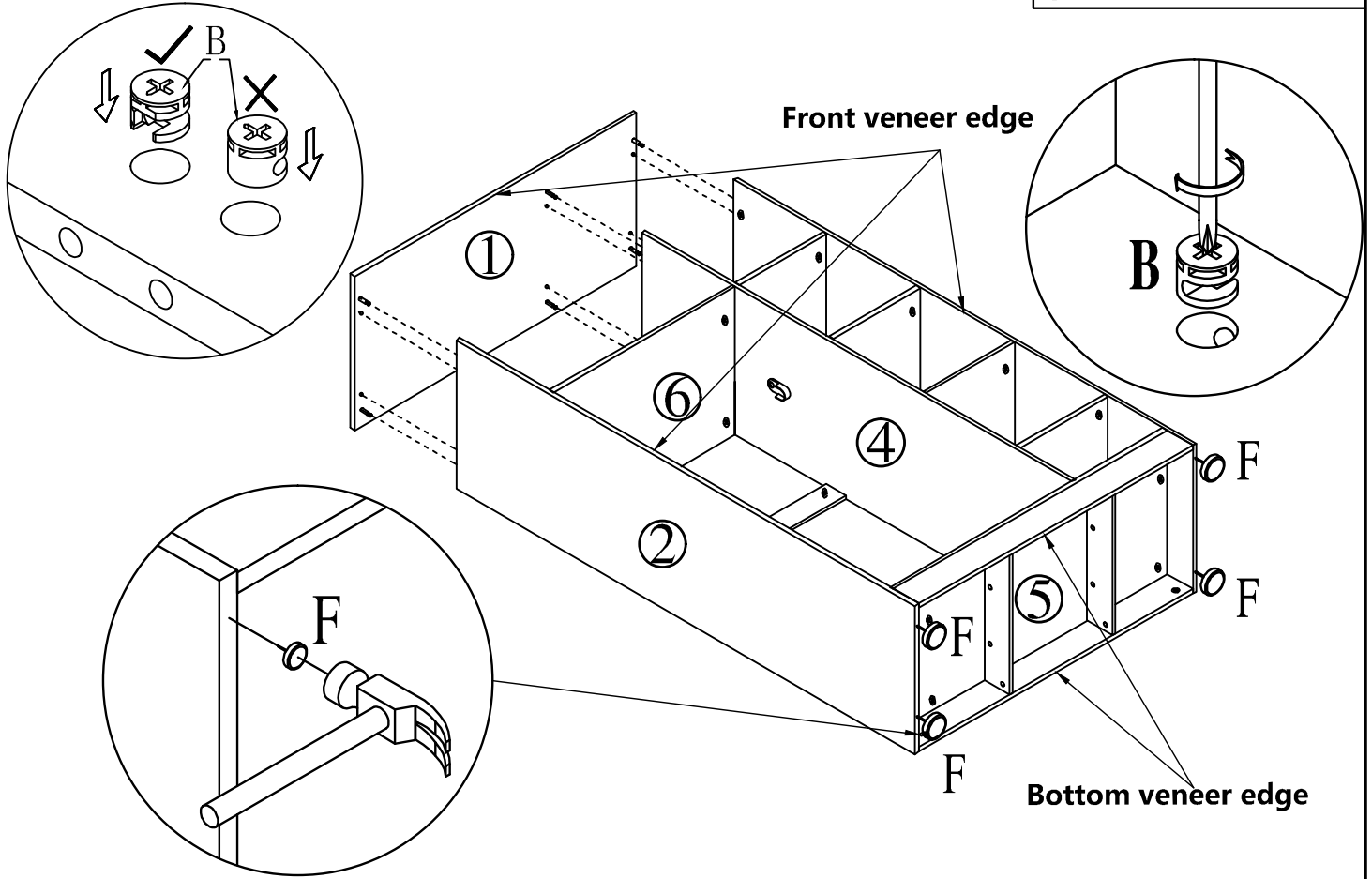


STEP 12




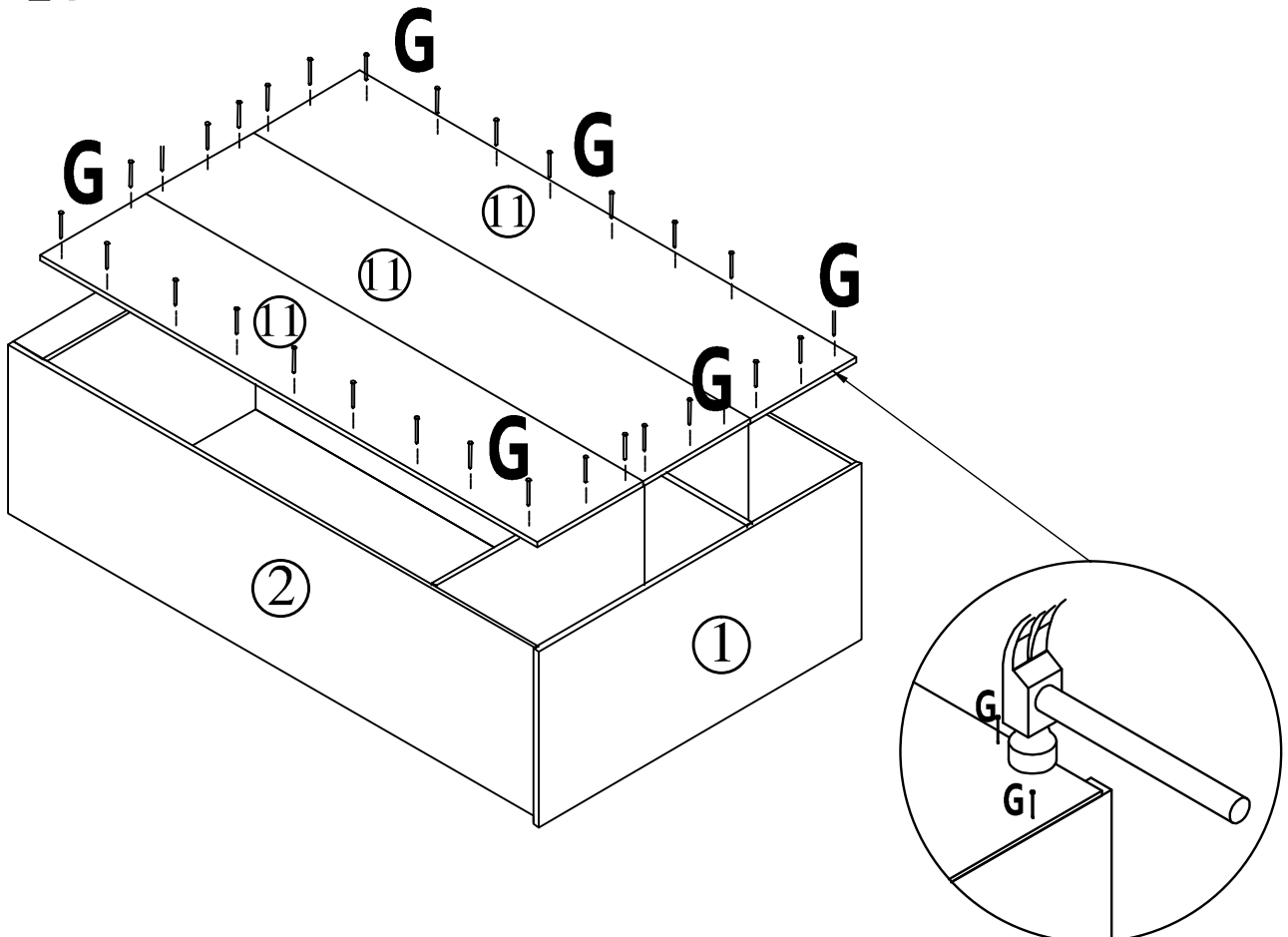
STEP 13

B		6 PCS
F		4 PCS





STEP 14

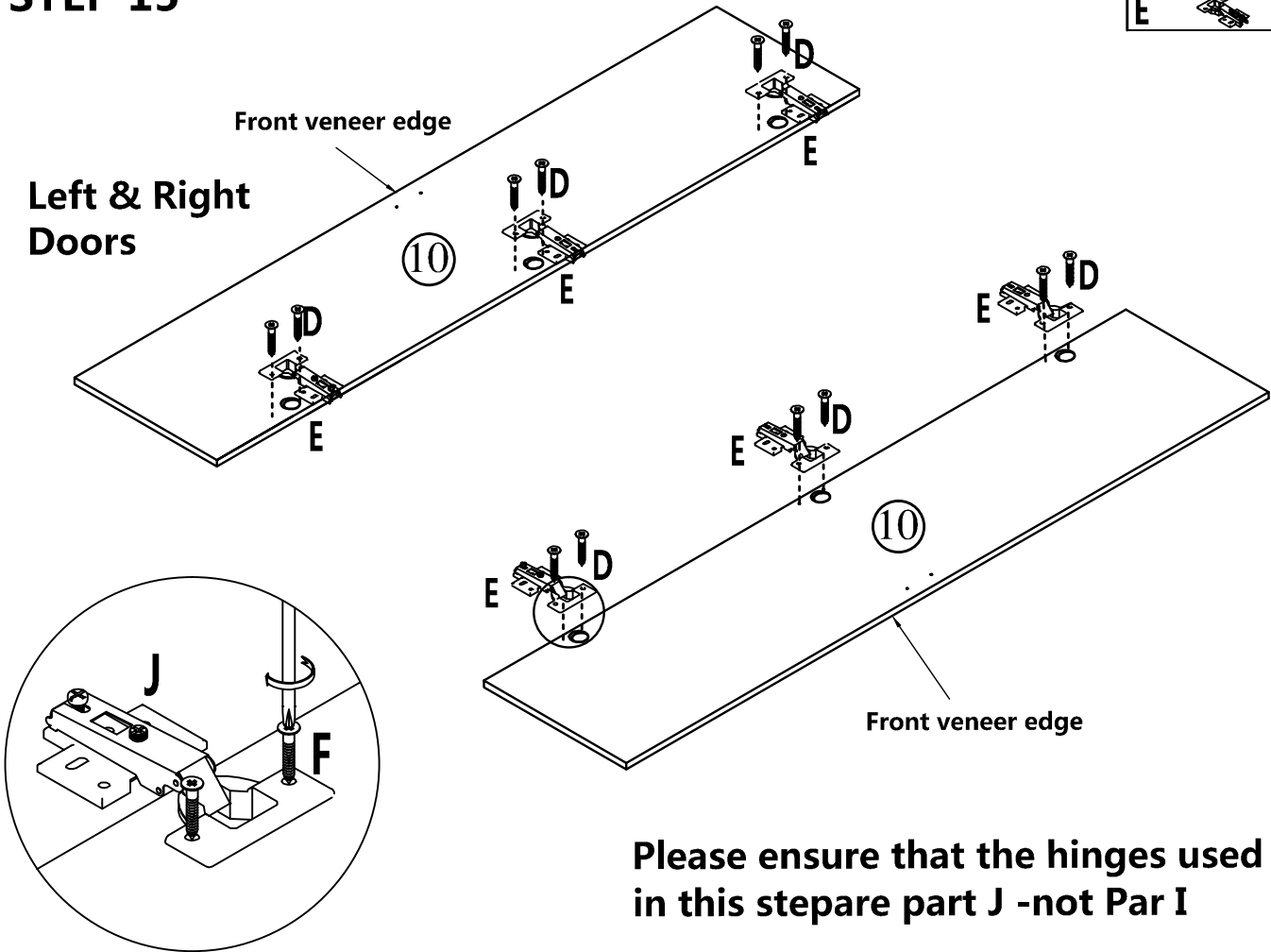
G		30 PCS
---	---	--------



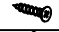

STEP 15

D		12 PCS
E		6 PCS

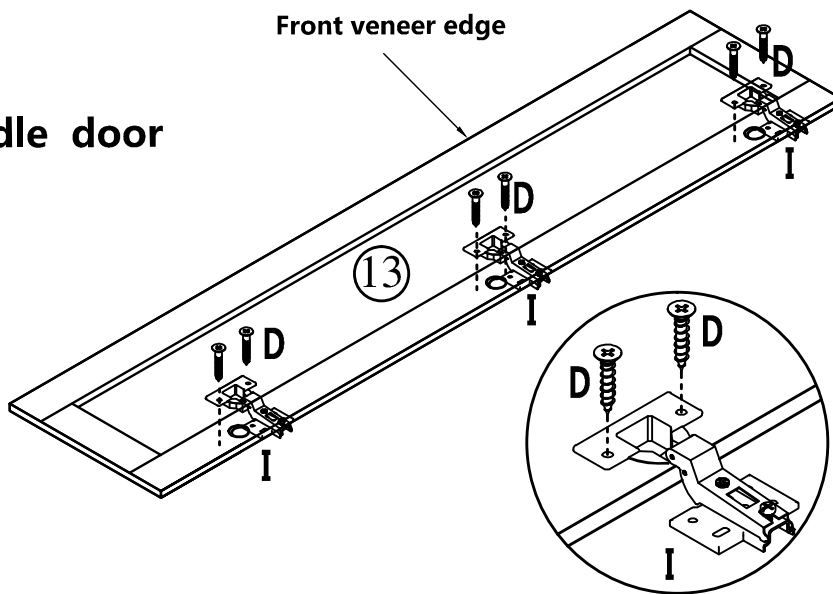
Left & Right Doors





STEP 16

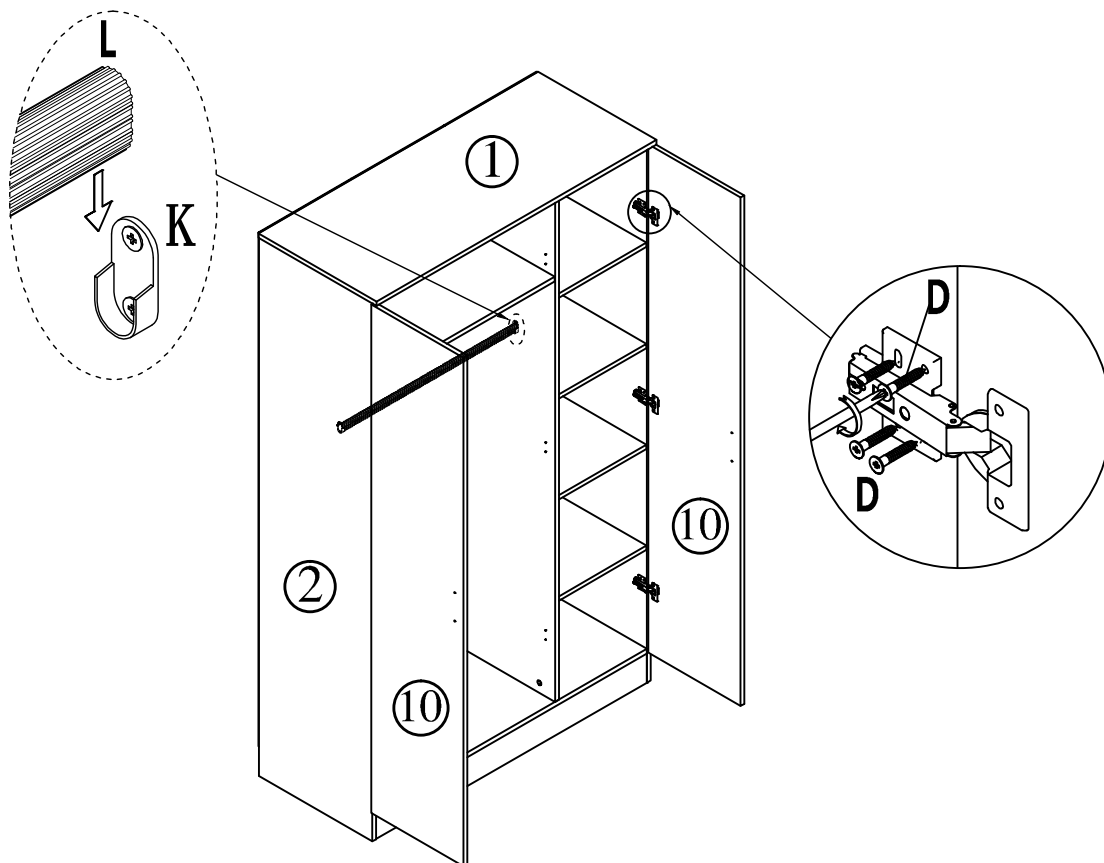
D		6PCS
I		3 PCS

Middle door






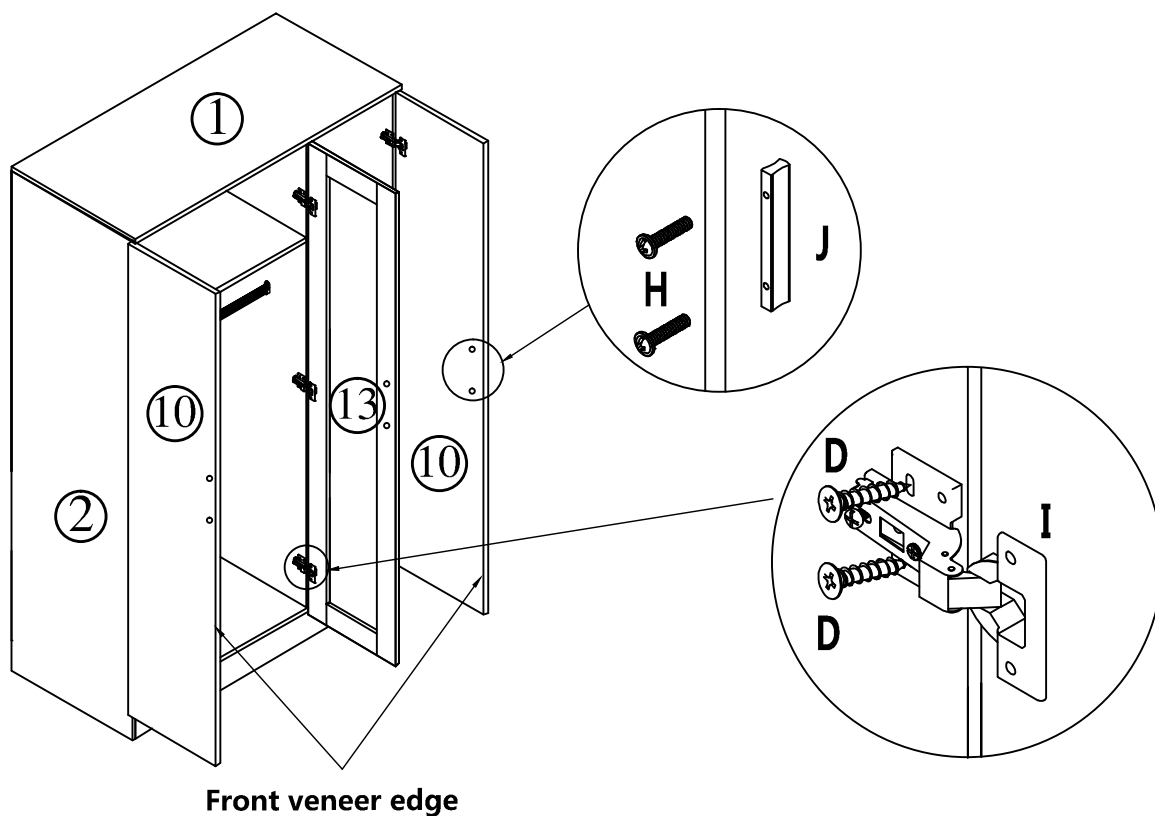
STEP 17

D		24 PCS
L		1 PC



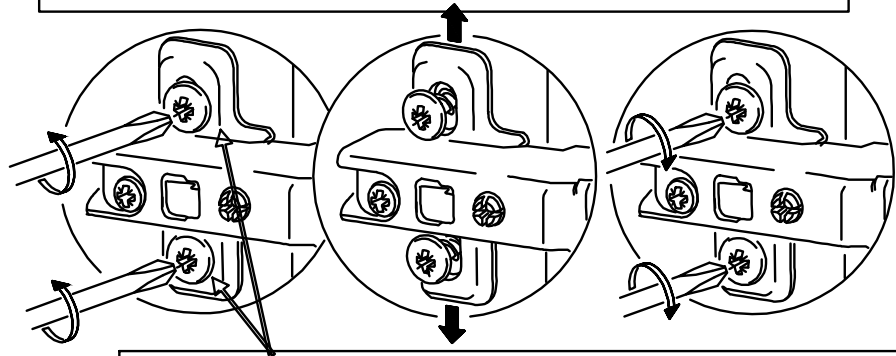
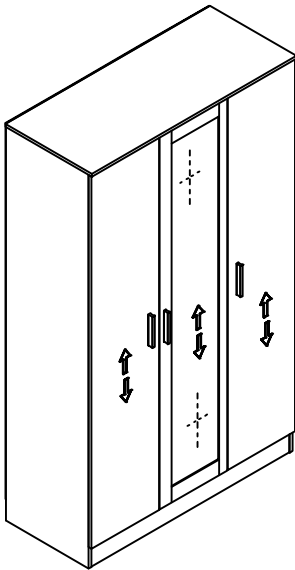
STEP 18

D		12 PCS
H		6 PCS
J		3 PCS

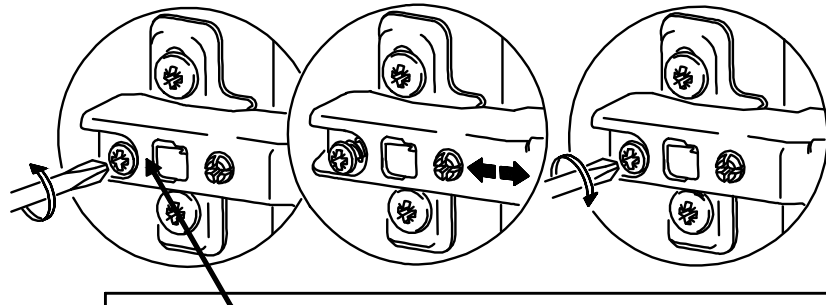
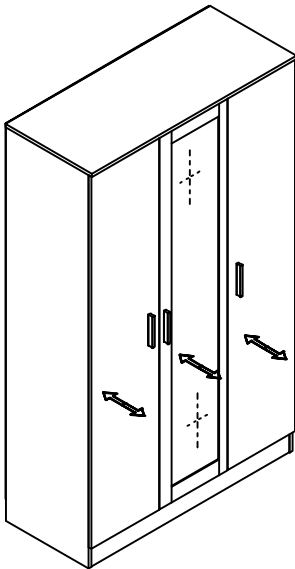




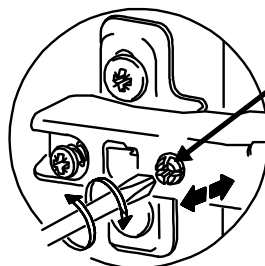
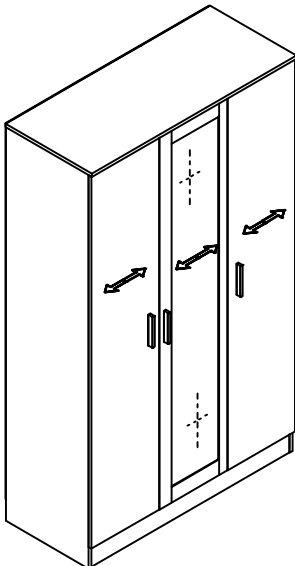
Customer Attention:
To Align Doors & Control Gap In Between Doors. Product doors may need adjusting during & after assembly or once wardrobe contains clothing. This can be done by adjusting appropriate screws. See below illustration.



Vertical Door Adjustment:
Loosening both screws on all hinges and lift the door to desired height. This allows an even space at the top and bottom between door and wardrobe frame.



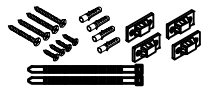
Lateral Door Adjustment:
If door is hinge bound, (rubbing on frame as you close or open door) loosening screw shown and move the door in appropriate direction. (In or out)



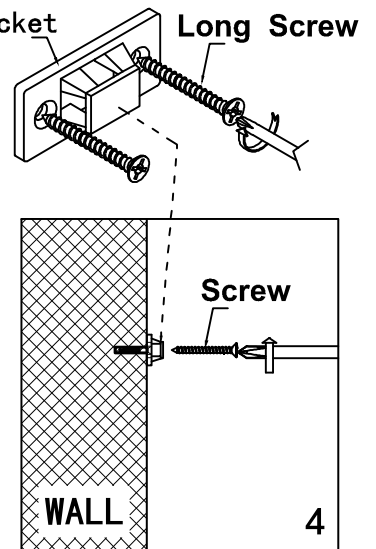
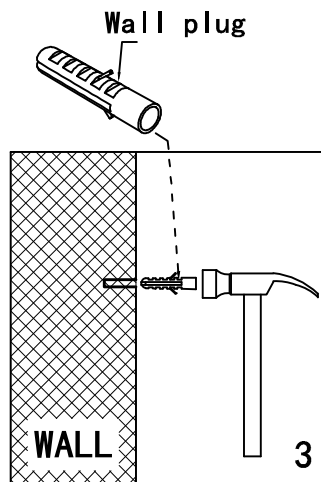
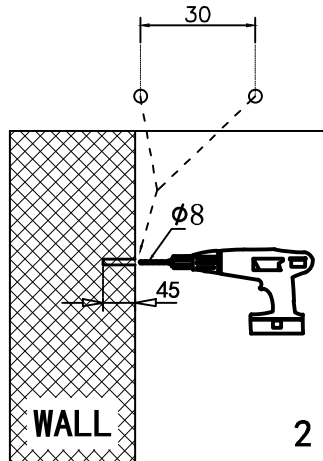
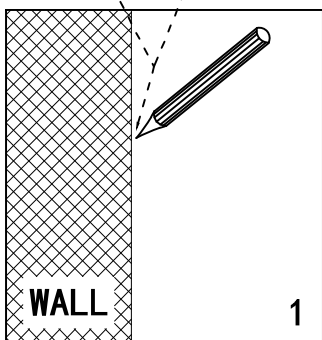
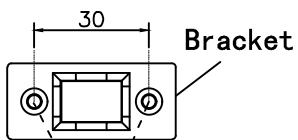
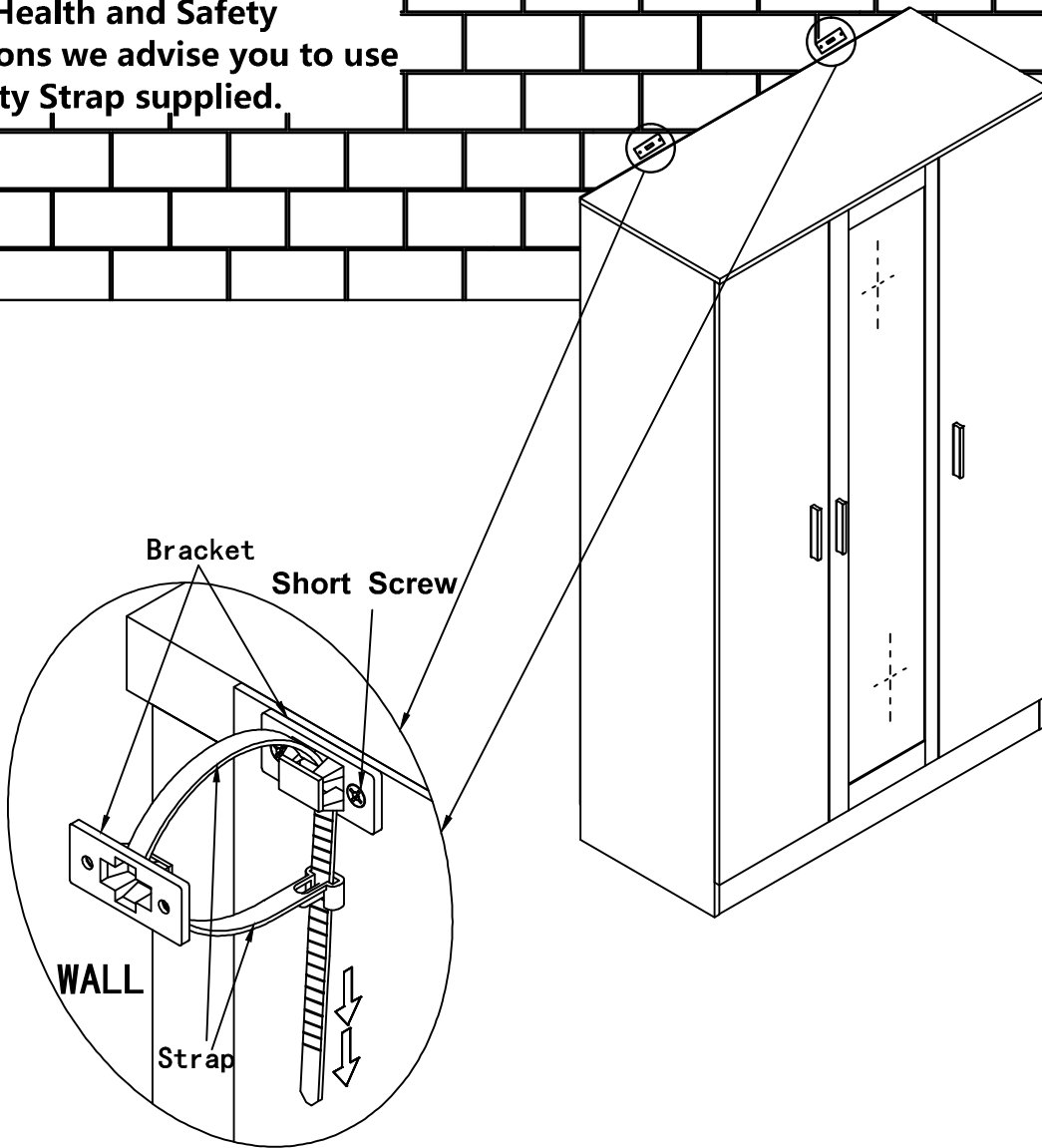
Horizontal Door Adjustment:
Rotate Screw clock wise or anti clockwise. This will produce an even gap between doors and frame.

OPTIONAL:
 For Health and Safety
 reasons we advise you to use
 Safety Strap supplied.

Bracket/Strap

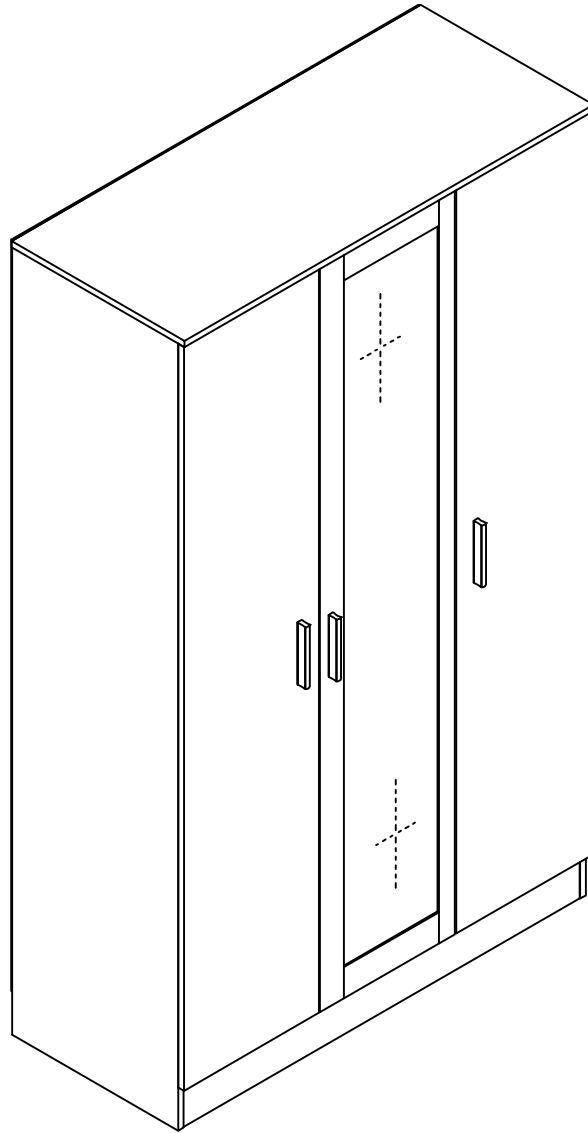


M=1

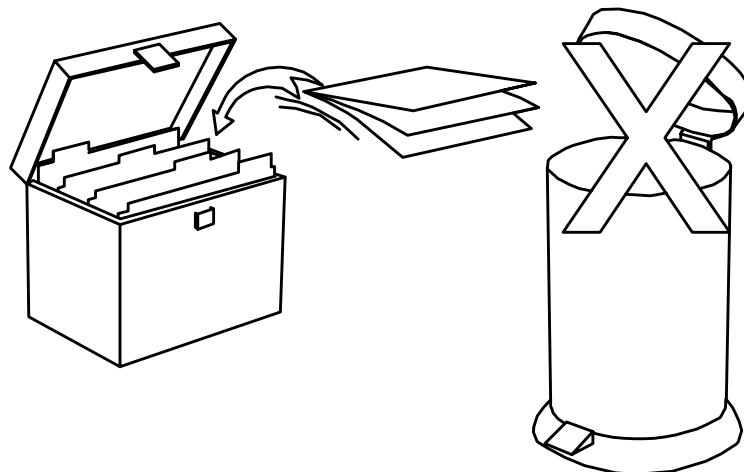


Your **3 DOOR WARDROBE MIRRORED** is now completely assembled



Periodically check to ensure that the components are in their proper position , free from damage Also , make sure the connectors are tight and secure.

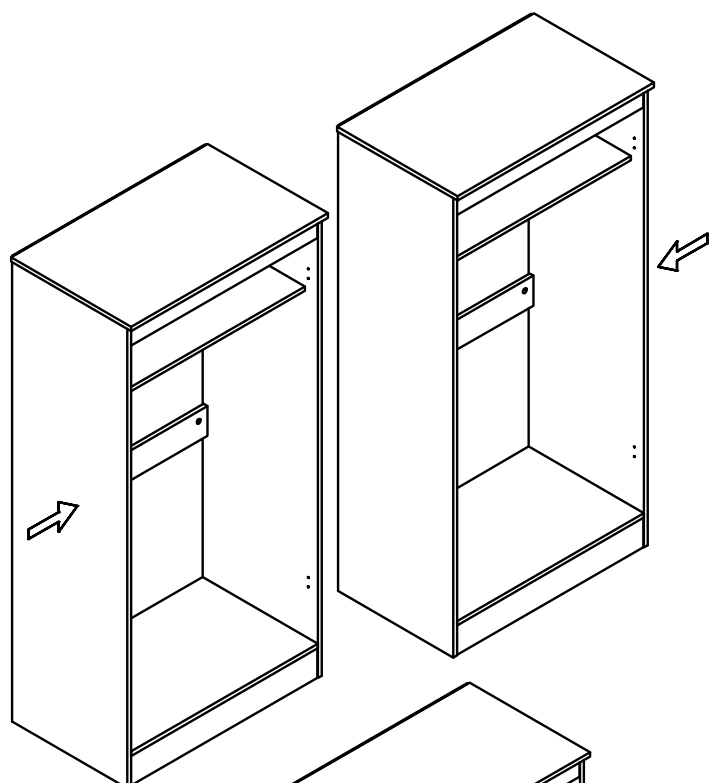


Keep instructions for future reference



Optional step - available to match reflect range wardrobes only

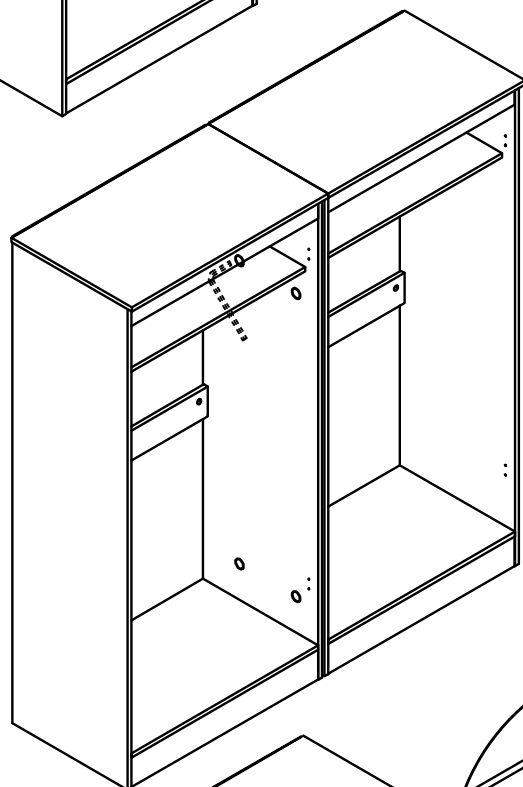
O		4 PCS
N		1 PC



To Secure multiple pieces of the wardrobes together:

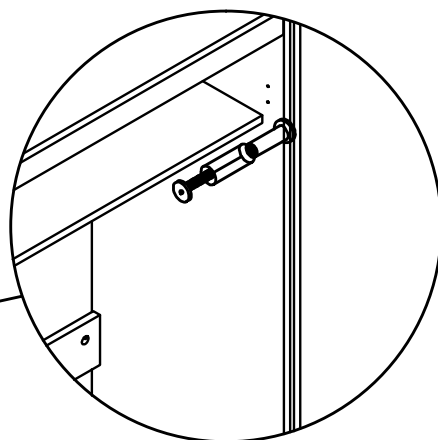
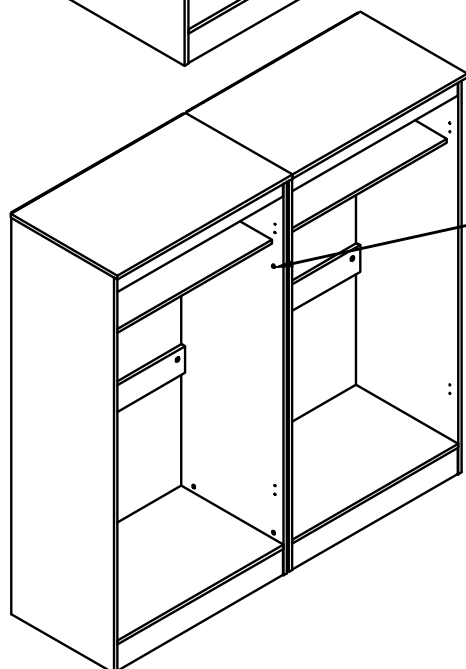
Step 1:
Position the wardrobes together in the location where they will remain

It will be easier to connect the wardrobes with the doors removed



Step 2:
Drill through both side panels as indicated

The holes should be level for the best results.



Step 3:
Position the receiving sleeve of the bolt on the right wardrobe.
Then screw screw the into the receiver .