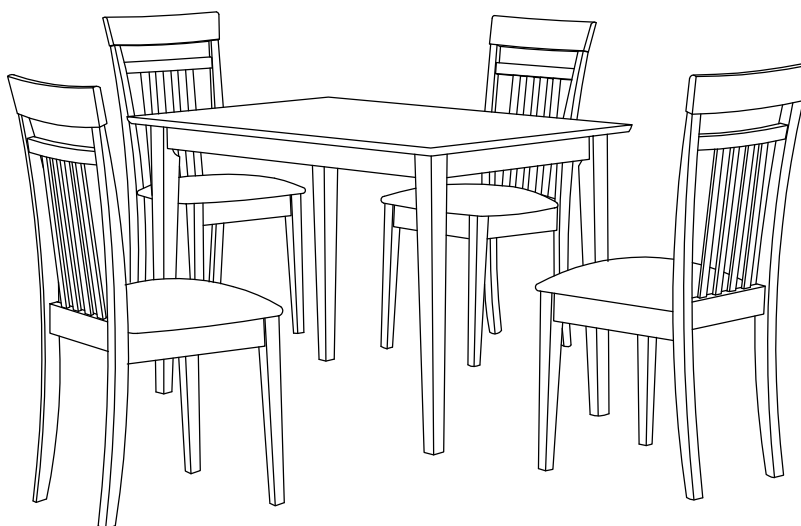


ASSEMBLY INSTRUCTIONS



Fine Furniture for every stage of life

5Pc Dining Set

REVISION 0: 03/10/2009
REVISION 1: 04/03/2012
REVISION 2: 10/05/2016
REVISION 3: 08/29/2018
REVISION 4: 03/26/2021

ASSEMBLY INSTRUCTIONS

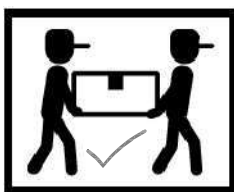
ASSEMBLY TIPS :

1. Remove hardware from box and sort by size.
2. Please check to see that all hardware and parts are present prior to start of assembly.
3. Please follow attached instructions in the same sequence as numbered to assure fast & easy assembly.



WARNING !

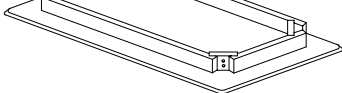
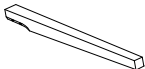
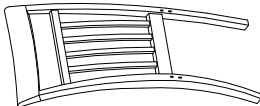
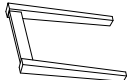
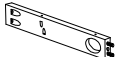

1. Don't attempt to repair or modify parts that are broken or defective. Please contact the store immediately.
2. This product is for home use only and not intended for commercial establishments.



ASSEMBLY TIME

45 MINUTES

PARTS IDENTIFICATION

A	TOP		1PC
B	LEG		4PCS
C	BACK FRAME		4PCS
D	FRONT LEG FRAME		4PCS
E	SIDE RAIL		8PCS
F	SEAT CUSHION		4PCS

ASSEMBLY INSTRUCTIONS

ASSEMBLY TIPS :

1. Remove hardware from box and sort by size.
2. Please check to see that all hardware and parts are present prior to start of assembly.
3. Please follow attached instructions in the same sequence as numbered to assure fast & easy assembly.







WARNING !

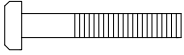


1. Don't attempt to repair or modify parts that are broken or defective. Please contact the store immediately.
2. This product is for home use only and not intended for commercial establishments.

HARDWARE IDENTIFICATION

TABLE

1	ALLEN WRENCH (M4 x 110MM - BLK)		1PC
2	LONG BOLT (M6 x 60MM - RBW)		8PCS
3	LOCK WASHER (1/4" - BLK)		8PCS
4	FLAT WASHER (5/16" - RBW)		8PCS

CHAIR

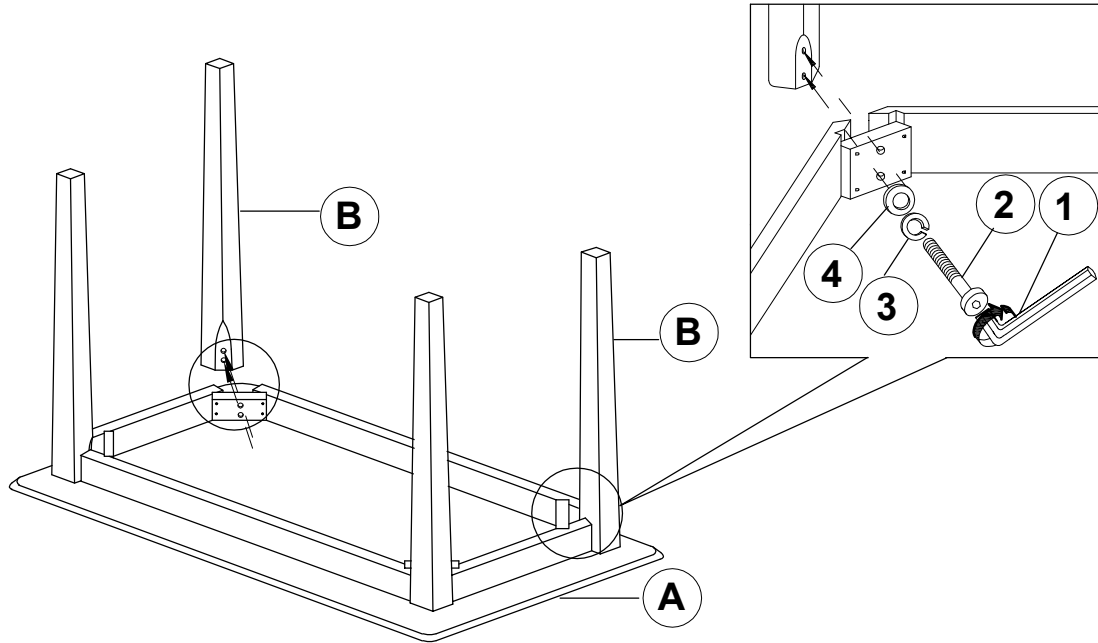
5	SHORT BOLT (M6 x 50MM - RBW)		24PCS
6	LOCK WASHER (1/4" - BLK)		24PCS
7	PAN HEAD SCREW (#8 x 1" -BLK)		16PCS

NOTE :

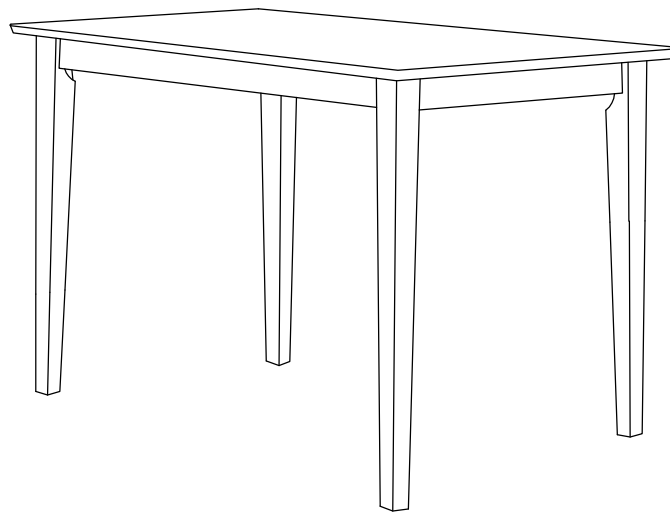
Phillips head screw driver is required in the assembly process ; However, manufacturer not provide this item.

ASSEMBLY INSTRUCTIONS

STEP 1

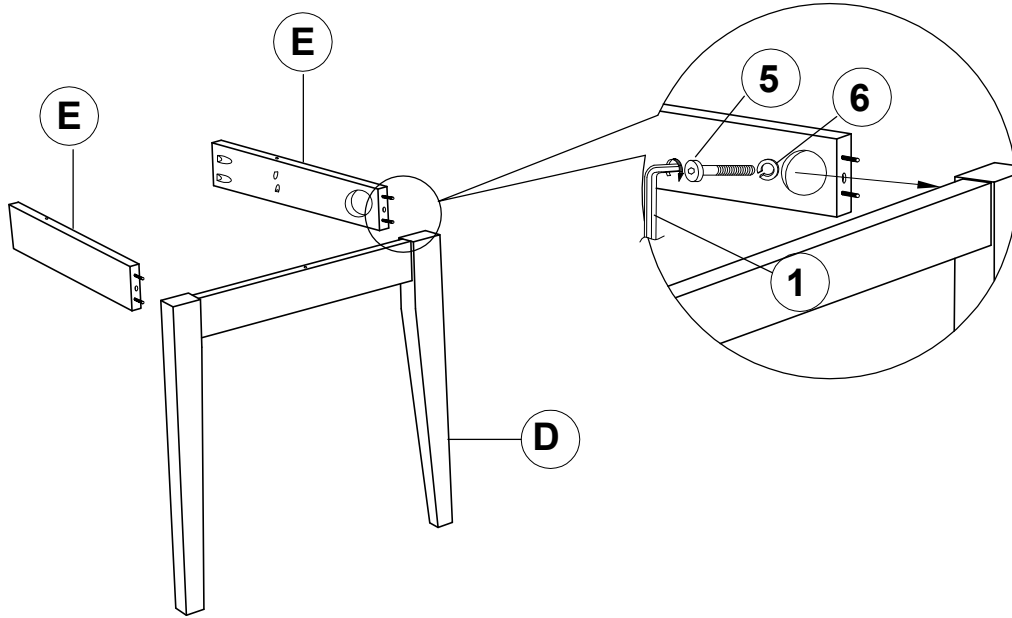


STEP 2

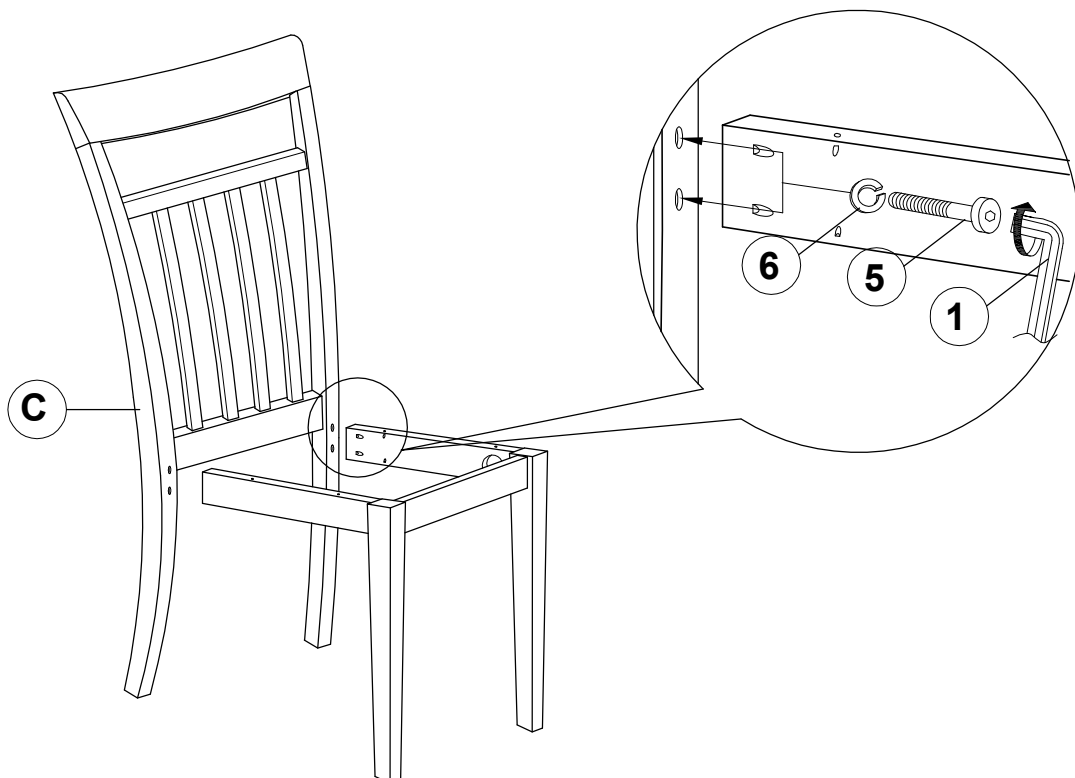


ASSEMBLY INSTRUCTIONS

STEP 3

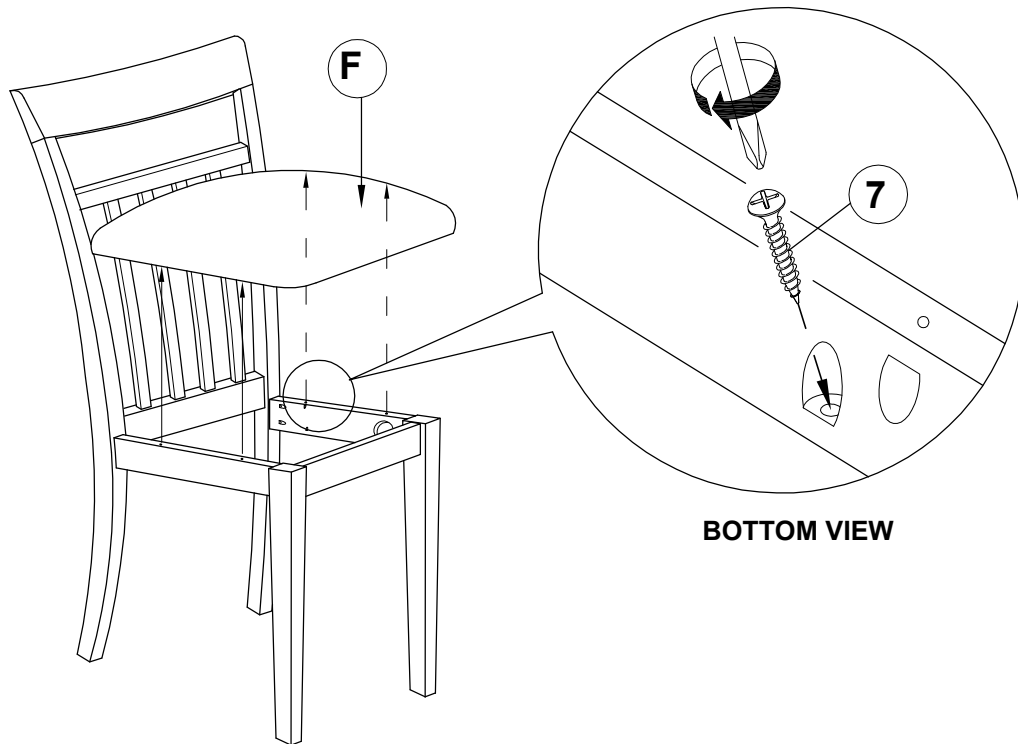


STEP 4

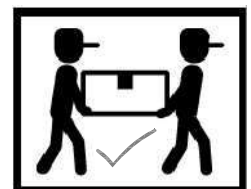
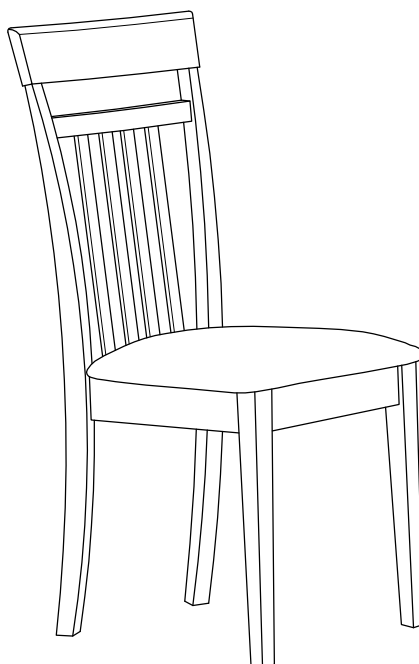


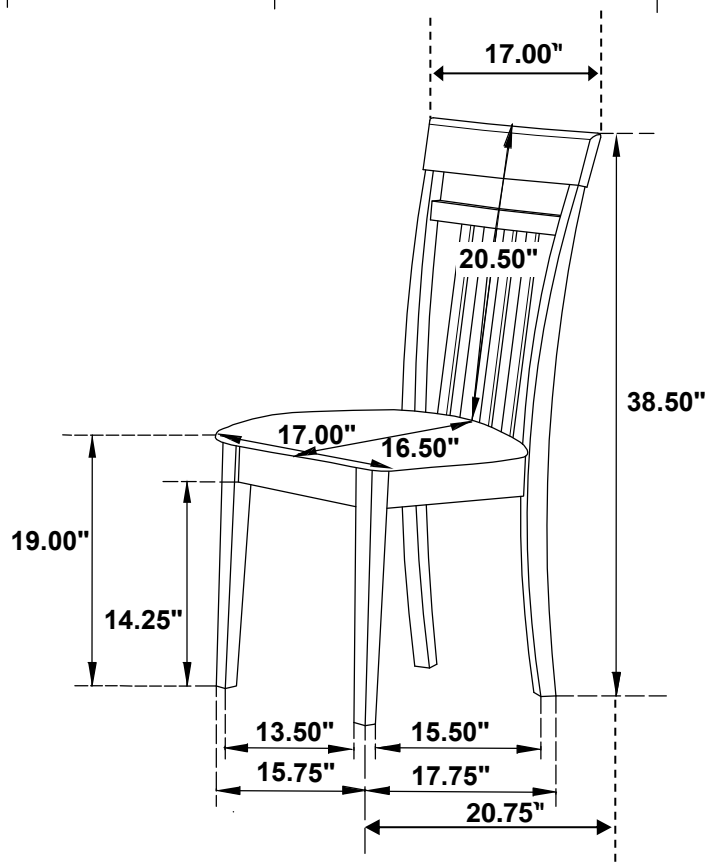
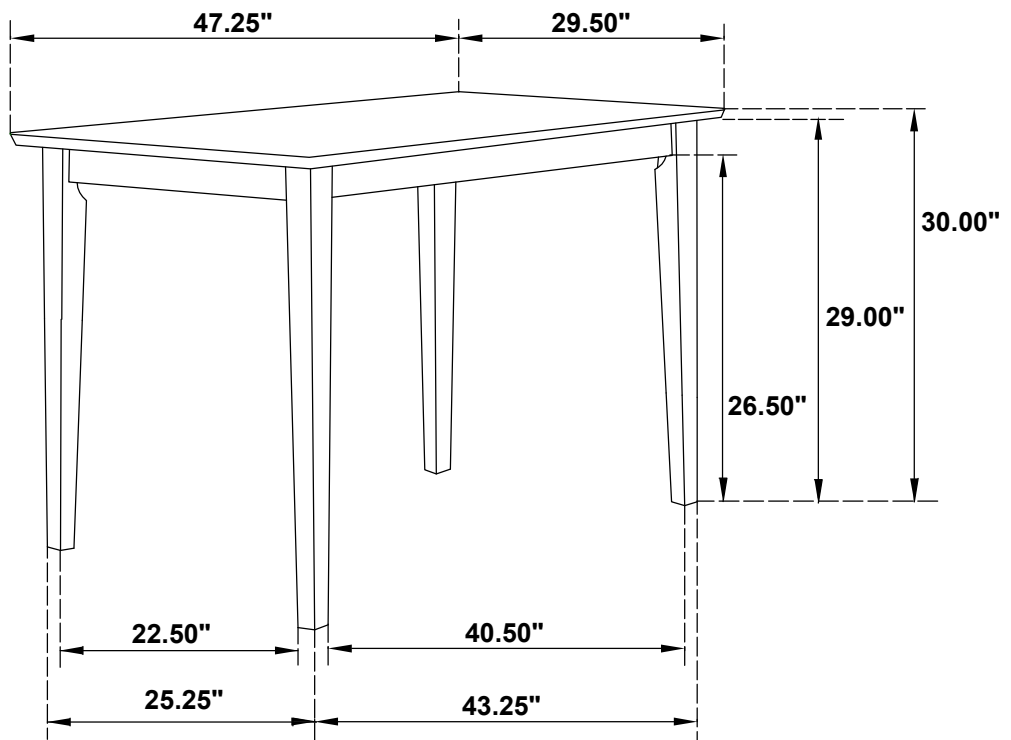
ASSEMBLY INSTRUCTIONS

STEP 5



STEP 6 **COMPLETE**





Note: Dimension tolerance $\pm 5\%$