



33 35TH STREET, INDUSTRY CITY BLDG.5, A405, BROOKLYN, NY 11232
T 212.355.0625 F 212.355.0628 WWW.OASIQ.COM



220-AC Dining Armchair

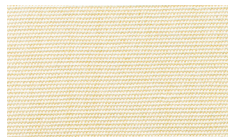
W 24 3/8" D 22 1/2" H 29 1/2"
AH 25 3/8" SH 15 3/4" OSH 18 1/4"
21.47 lbs
Teak & black PP webbing

Seat cushion: 220-AC-X
L 17" W 20 1/2" H 2 1/2"

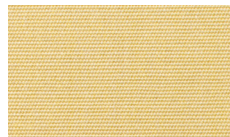
FABRIC AVAILABLE FOR ASTOR, HAMILTON, MADISON, DELANCEY & LIMITED COLLECTIONS



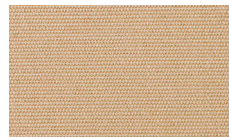
Canvas Natural 5404-0000



Canvas Vellum 5498-0000



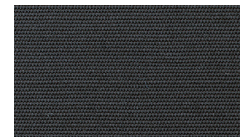
Canvas Wheat 5414-0000



Canvas Camel 5468-0000



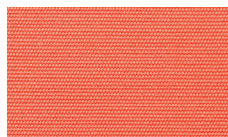
Canvas Granite 5402-0000



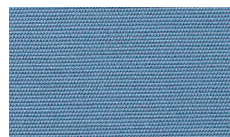
Canvas Black 5408-0000



Canvas Buttercup 5438-0000



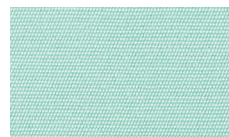
Canvas Melon 5415-0000



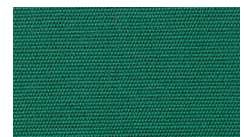
Canvas Sapphire Blue 5452-0000



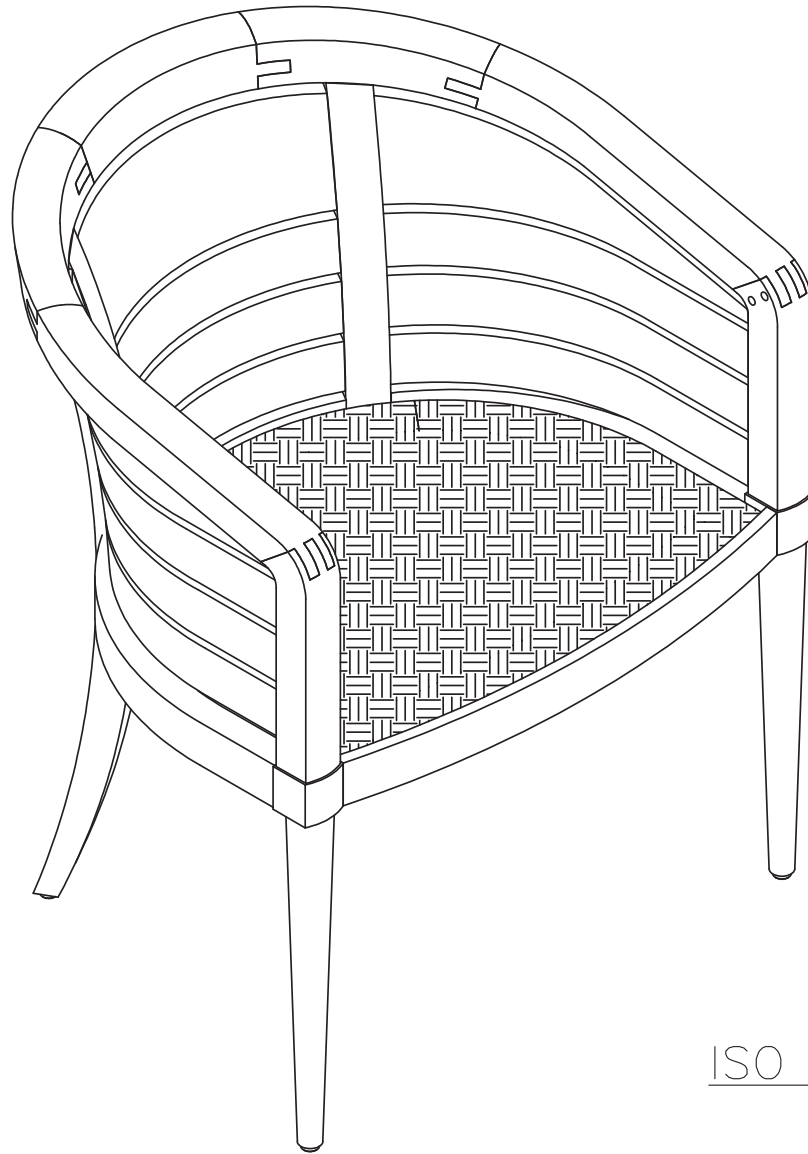
Canvas Sky Blue 5424-0000



Canvas Glacier 5428-0000



Canvas Forest Green 5446-0000



ISO VIEW

ISO

OASIQ

DWG.NO: FAEDG0002T-2

TITLE : ISO VIEW

DIM EXT: 618x570x747 MM.

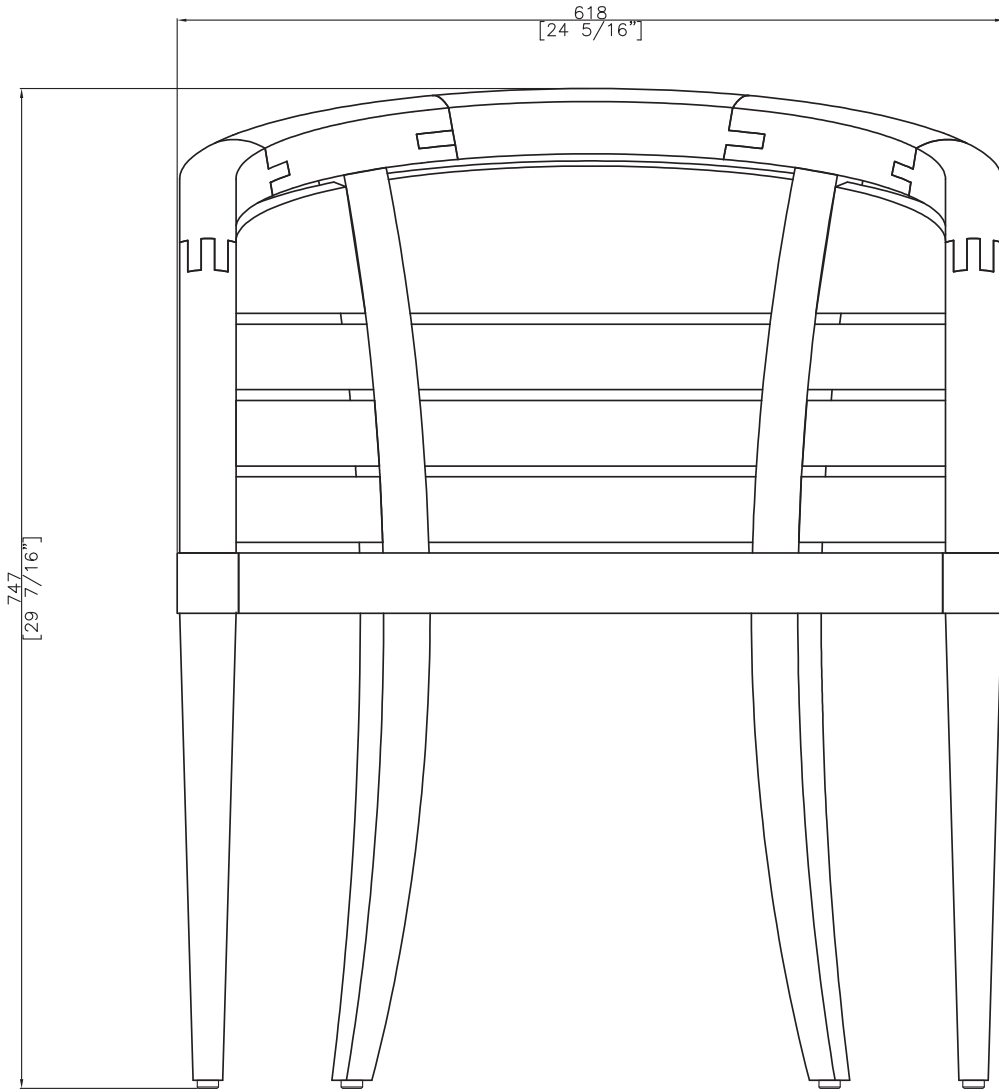
MATERIAL: TAEK

DRAWN BY : KHANTI

FINISH DATE : 16-09-09	KHAN
BEGIN DATE : 11-09-09	KHAN

SCALE : 1:1

P. 3



FRONT

EF

OASIQ

DWG.NO: FAEDG0002T-2

TITLE : FRONT

DIM EXT: 618x570x747 MM.

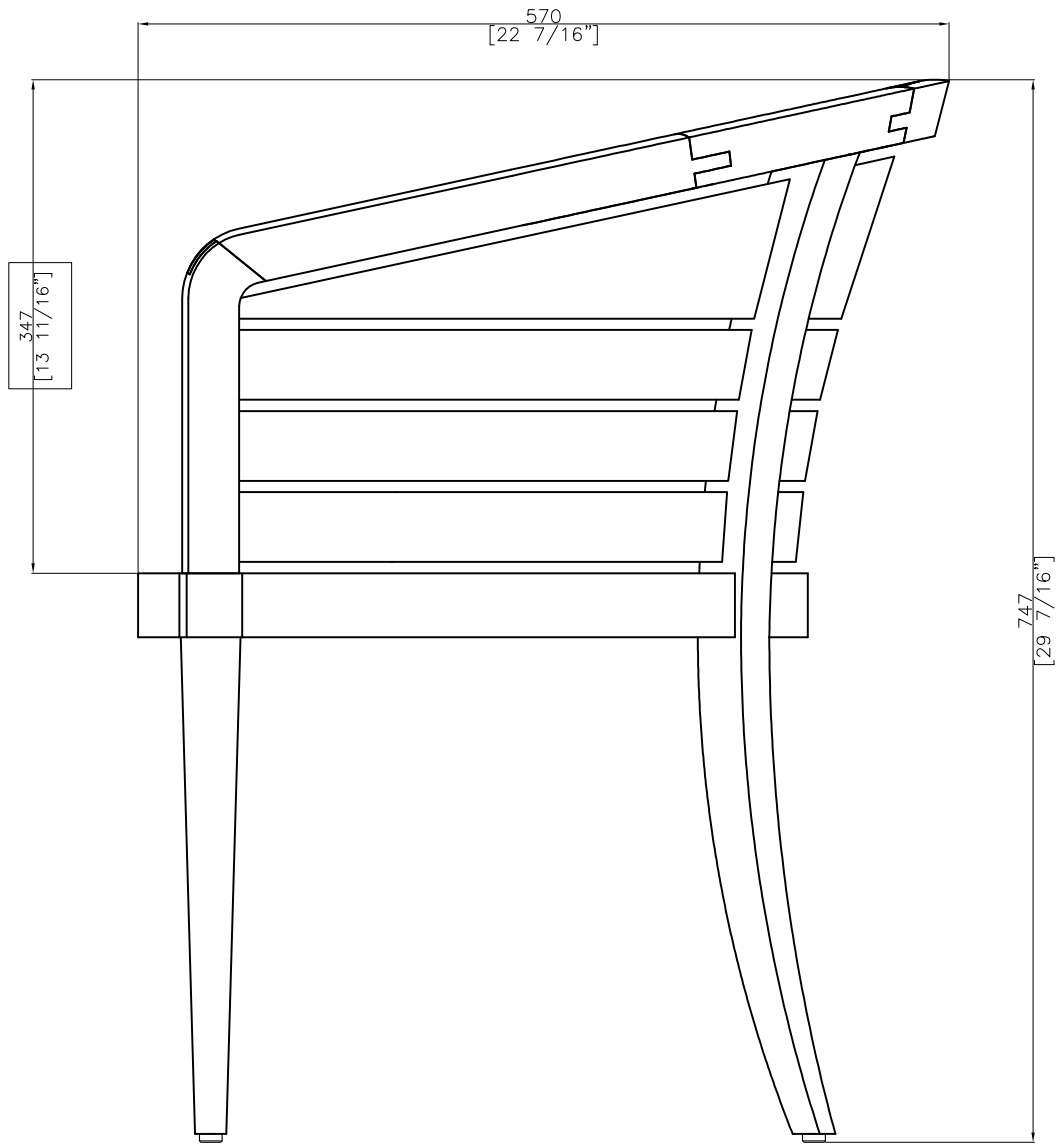
MATERIAL: TAEK

DRAWN BY : KHANTI

FINISH DATE : 16-09-09	KHAN
BEGIN DATE : 11-09-09	KHAN

SCALE : 1:1

P. 5



SIDE

ES

OASIQ

DWG.NO: FAEDG0002T-2

TITLE : SIDE

DIM EXT: 618x570x747 MM.

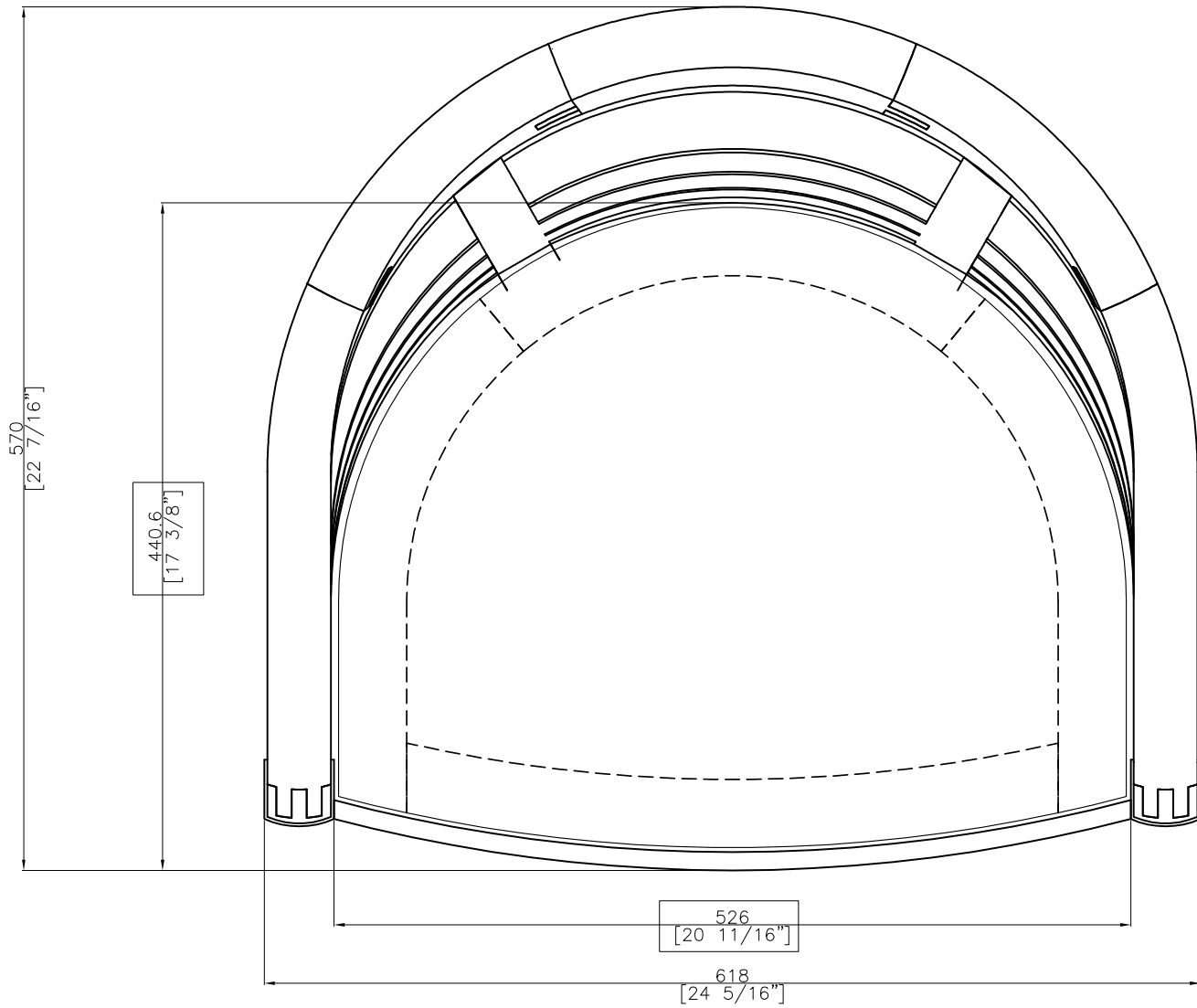
MATERIAL: TAEK

DRAWN BY : KHANTI

FINISH DATE : 16-09-09	KHAN
BEGIN DATE : 11-09-09	KHAN

SCALE : 1:1

P. 6



TOP

ET

OASIQ	DWG.NO: FAEDG0002T-2	TITLE : TOP	DIM EXT: 618x570x747 MM.	MATERIAL: TAEK	DRAWN BY : KHANTI	FINISH DATE : 16-09-09	KHAN	SCALE : 1:1	P. 4
						BEGIN DATE : 11-09-09	KHAN		