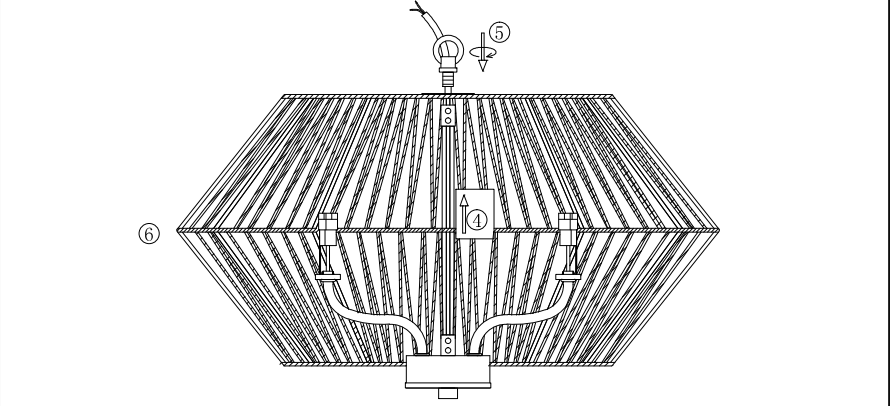
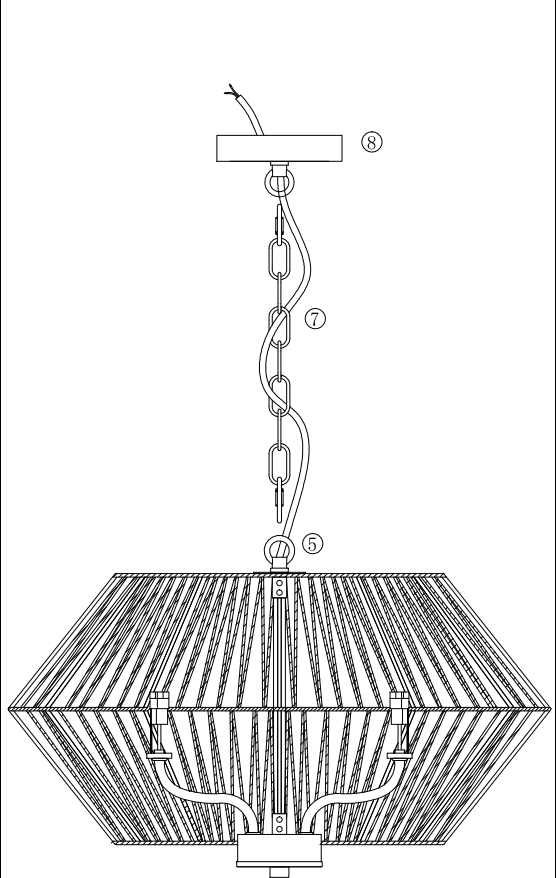


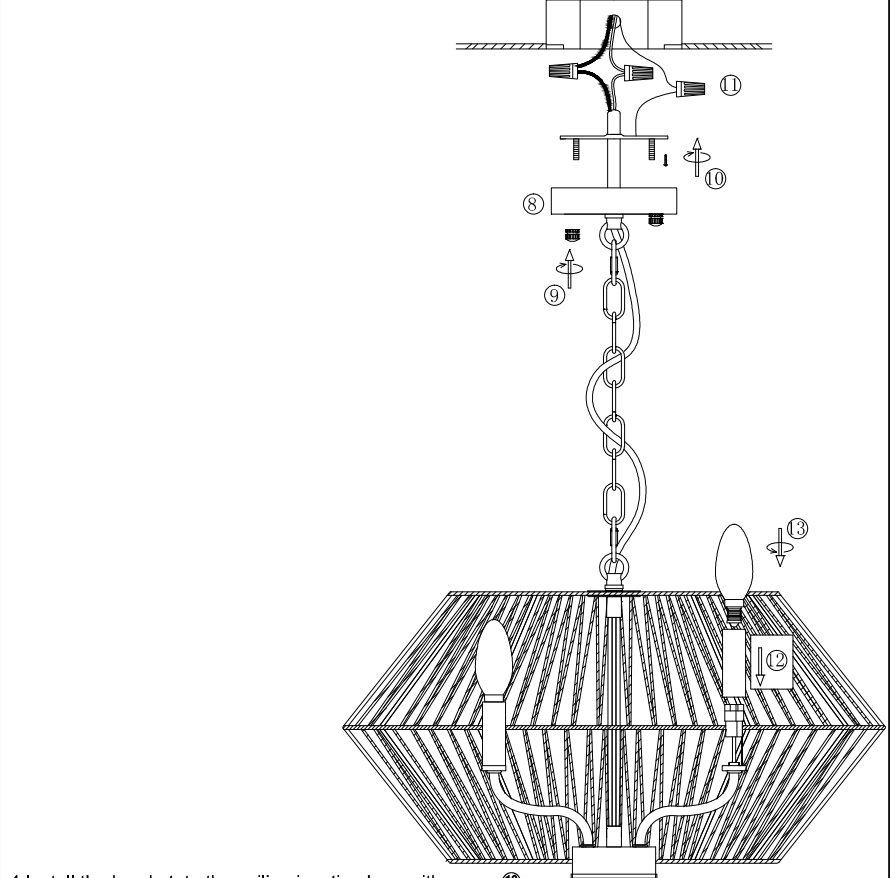
1、 Let the wire go through the hanging tube ④, rotate to install the tube ④ on the fixture ①, fixed it with grub screw ② by hex key ③.



2. Let the wire and the tube ④ go through lampshade ⑥ and the hanging ring ⑤, rotate ring ⑤ to fix the tube ④ to the lampshade ⑥.



3. Hang the fixture ⑤ to the canopy ⑧ with chain ⑦, let the wire go through the chain ⑦ and canopy ⑧.



4. Install the bracket to the ceiling junction box with screw ⑩.
 5. Connect the wire to your home line with cap connector ⑪.
 6. Install the fixture to the canopy with cap nut ⑨.
 7. Put the cylinder tube ⑫ on the bulbholder and install the bulb ⑬.

Please read carefully before installation!!!
Note : Please make sure that the electricity is powered off during installation !
Only a professional electrician should install this kind of product !