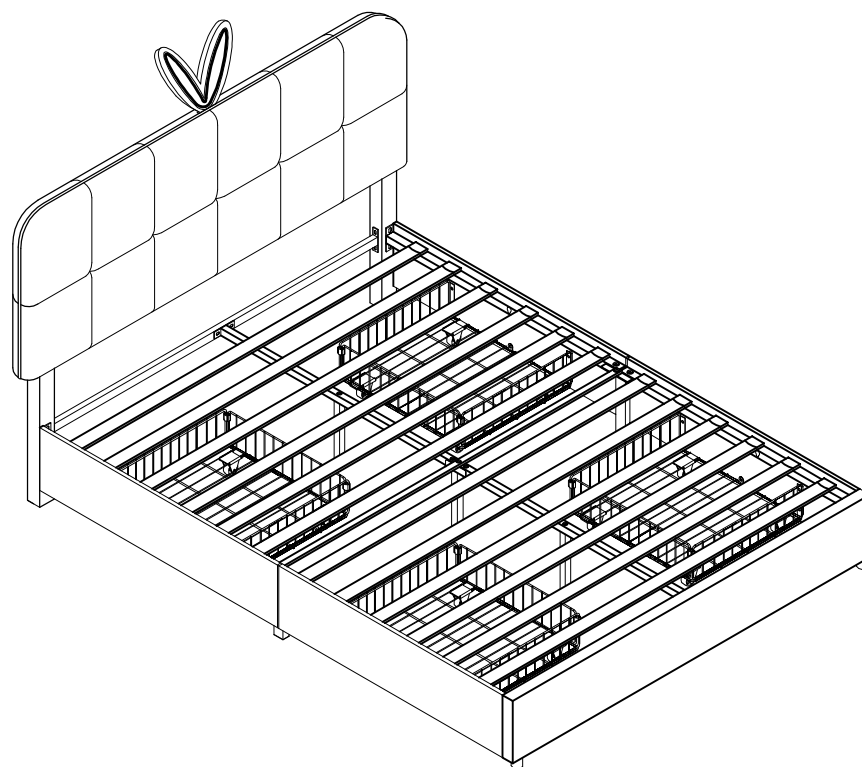


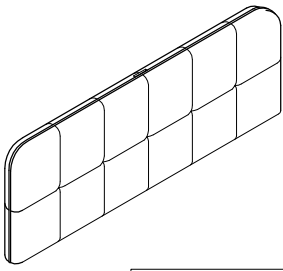
ASSEMBLY INSTRUCTIONS

267 F Q



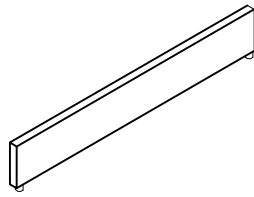
PARTS AND HARDWARE

① Headboard



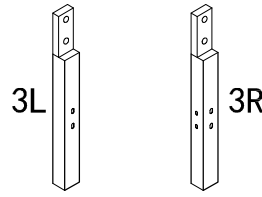
1PC

② Footboard



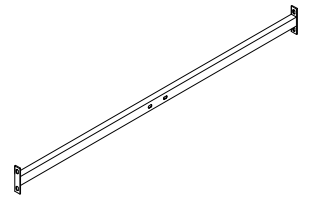
1PC

③ HB Leg



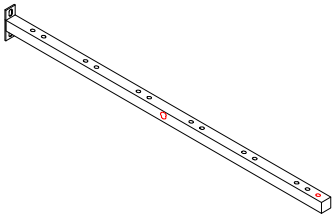
2PCS

④ HB Support Rail



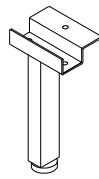
1PC

⑤ Side Rail Support



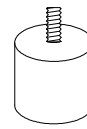
4PCS

⑥ Side Rail Feet



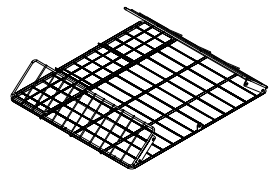
2PCS

⑦ Leg



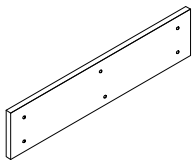
2PCS

⑧ Drawer



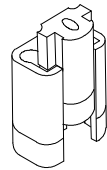
4PCS

⑨ Drawer panel



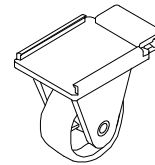
4PCS

⑩ Drawer connector



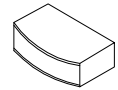
16PCS

⑪ Drawer wheel



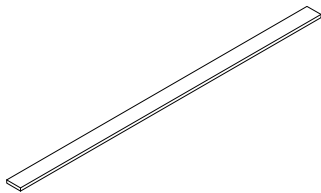
16PCS

⑫ Single Sided Plastic cap



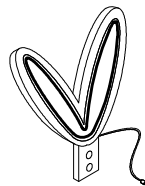
24PCS

⑬ Slat



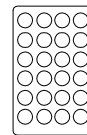
12PCS

⑭ HB



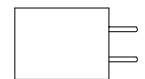
1PC

⑮ REMOTE CONTROL



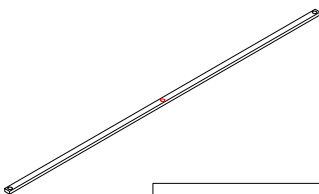
1PC

⑯ POWER



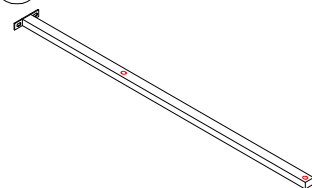
1PC

⑰ Center cross bar



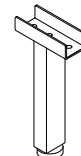
1PC

⑱ Center support rail



2PCS

⑲ Center Support Leg



1PC

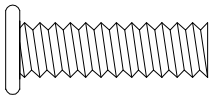
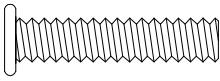
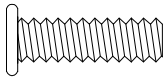

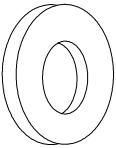
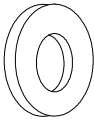
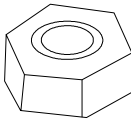
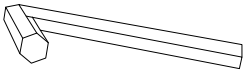

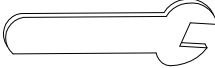
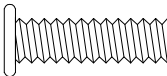
⑳ Support Leg



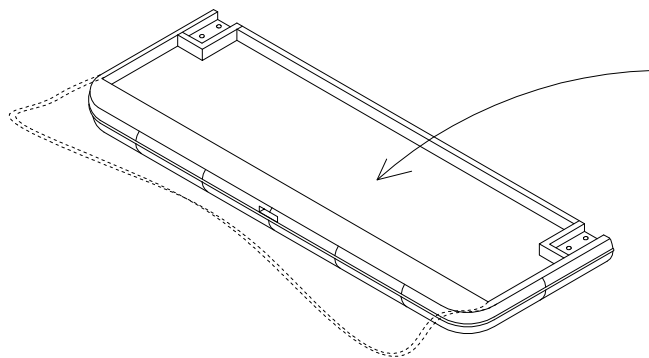
2PCS

PARTS AND HARDWARE

HARDWARE LIST:

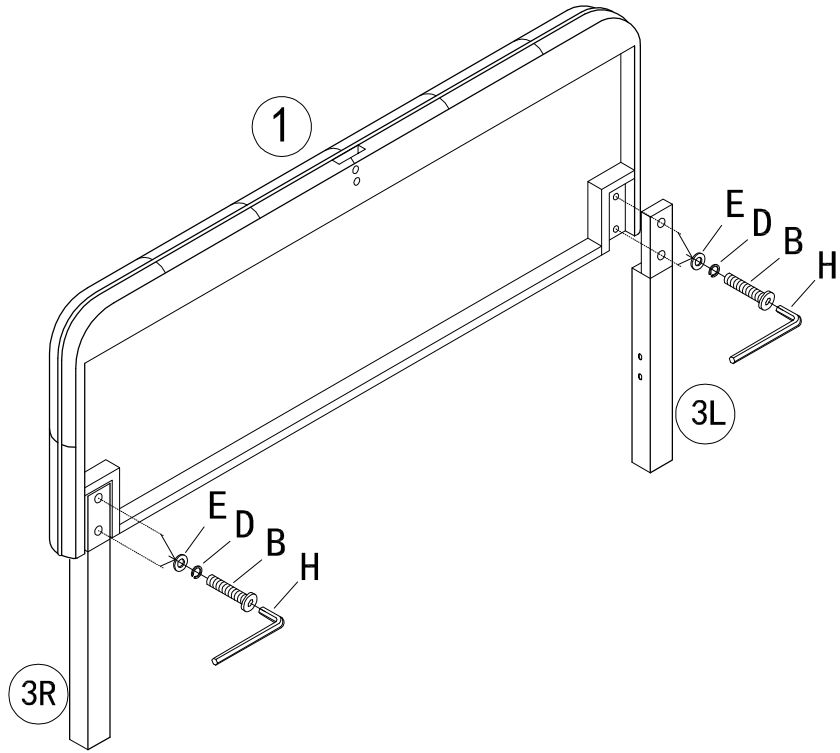
<p>A</p>  <p>m8*30mm 20PCS</p>	<p>B</p>  <p>m8*50mm 11PCS</p>	<p>C</p>  <p>m6*20mm 24PCS</p>	<p>D</p>  <p>m8 31PCS</p>
<p>E</p>  <p>m8*19mm 31PCS</p>	<p>F</p>  <p>m6*16mm 22PCS</p>	<p>G</p>  <p>M8 2PCS</p>	<p>H</p>  <p>m8 1PC</p>
<p>I</p>  <p>m6 1PC</p>	<p>J</p>  <p>1PC</p>	<p>K</p>  <p>m6*30mm 2PCS</p>	

STEP :Packing Details



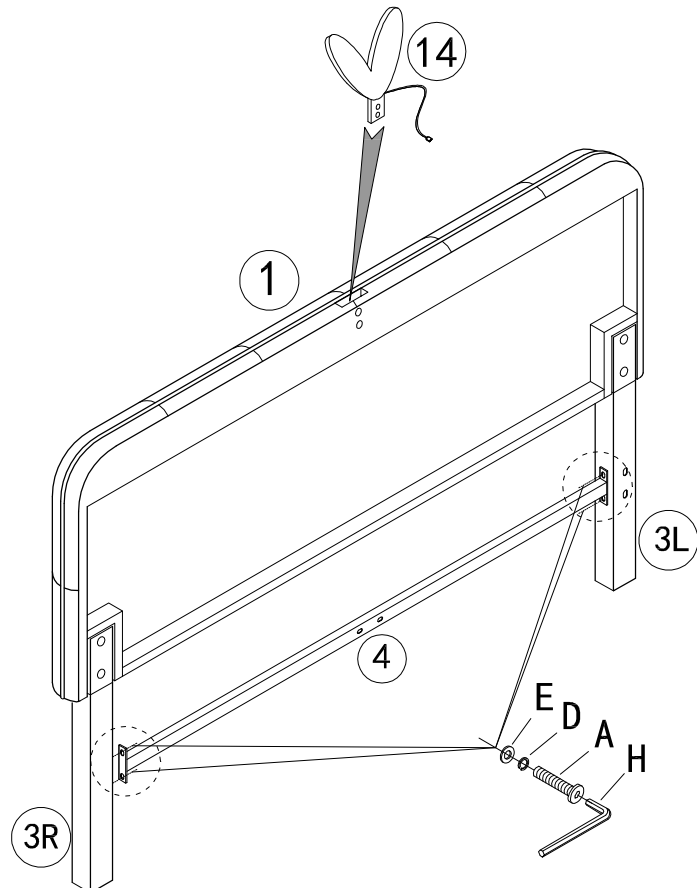
Components inside

STEP 1



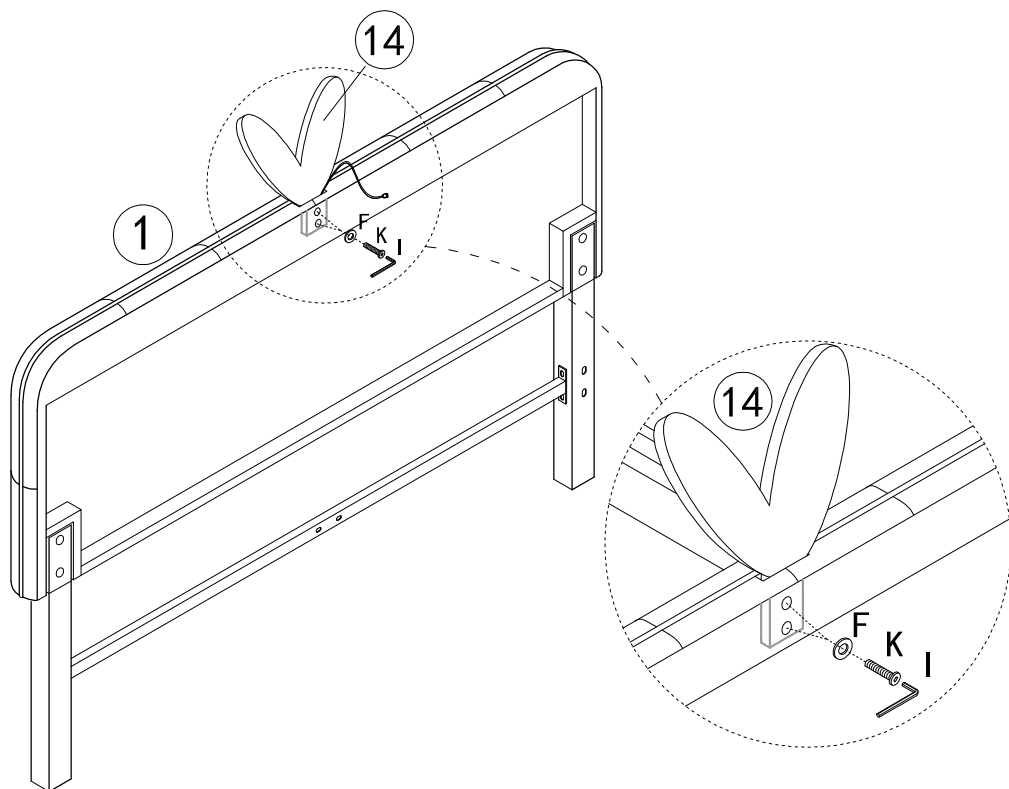
	B x 4PCS
	E x 4PCS
	D x 4PCS
	H x 1PC

STEP 2






	A x 4PCS
	E x 4PCS
	D x 4PCS
	H x 1PC

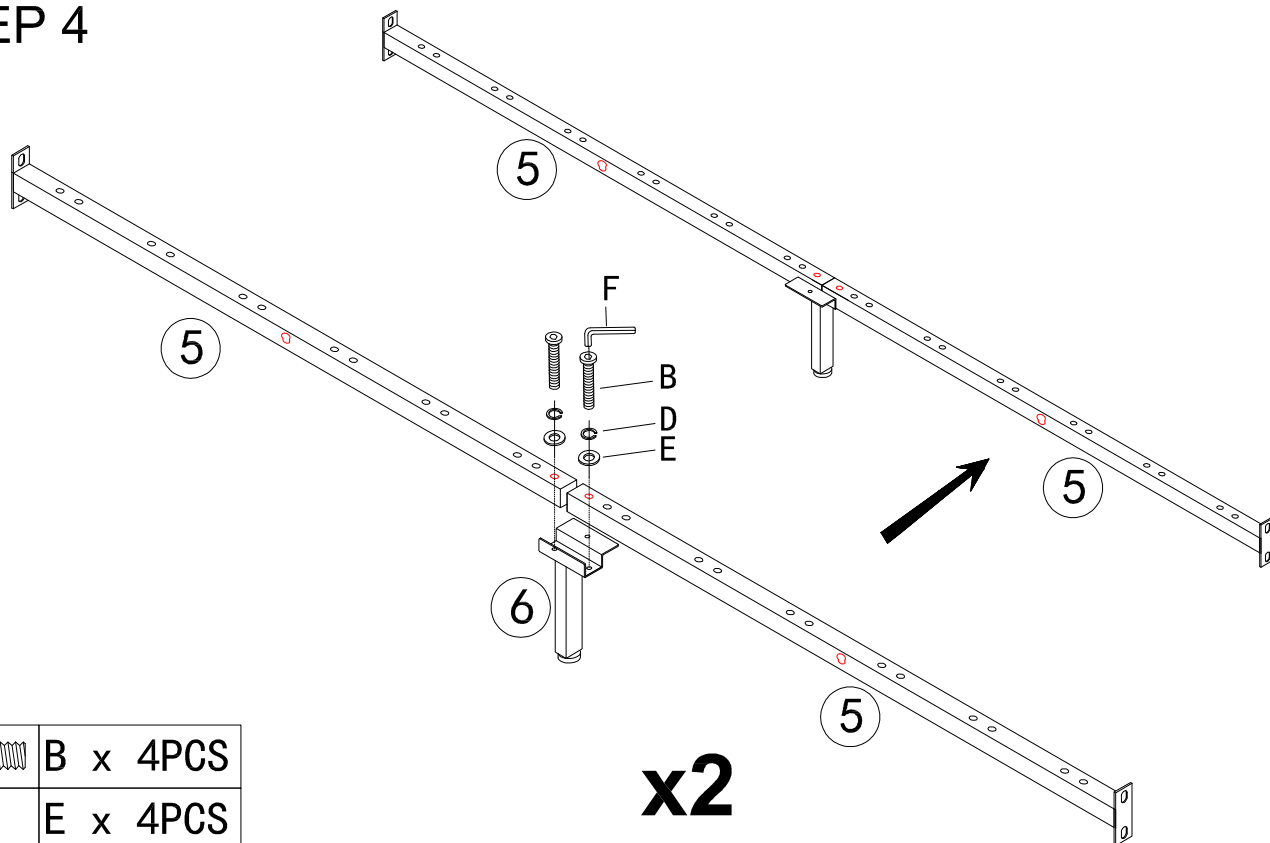
STEP 3







m6*30mm

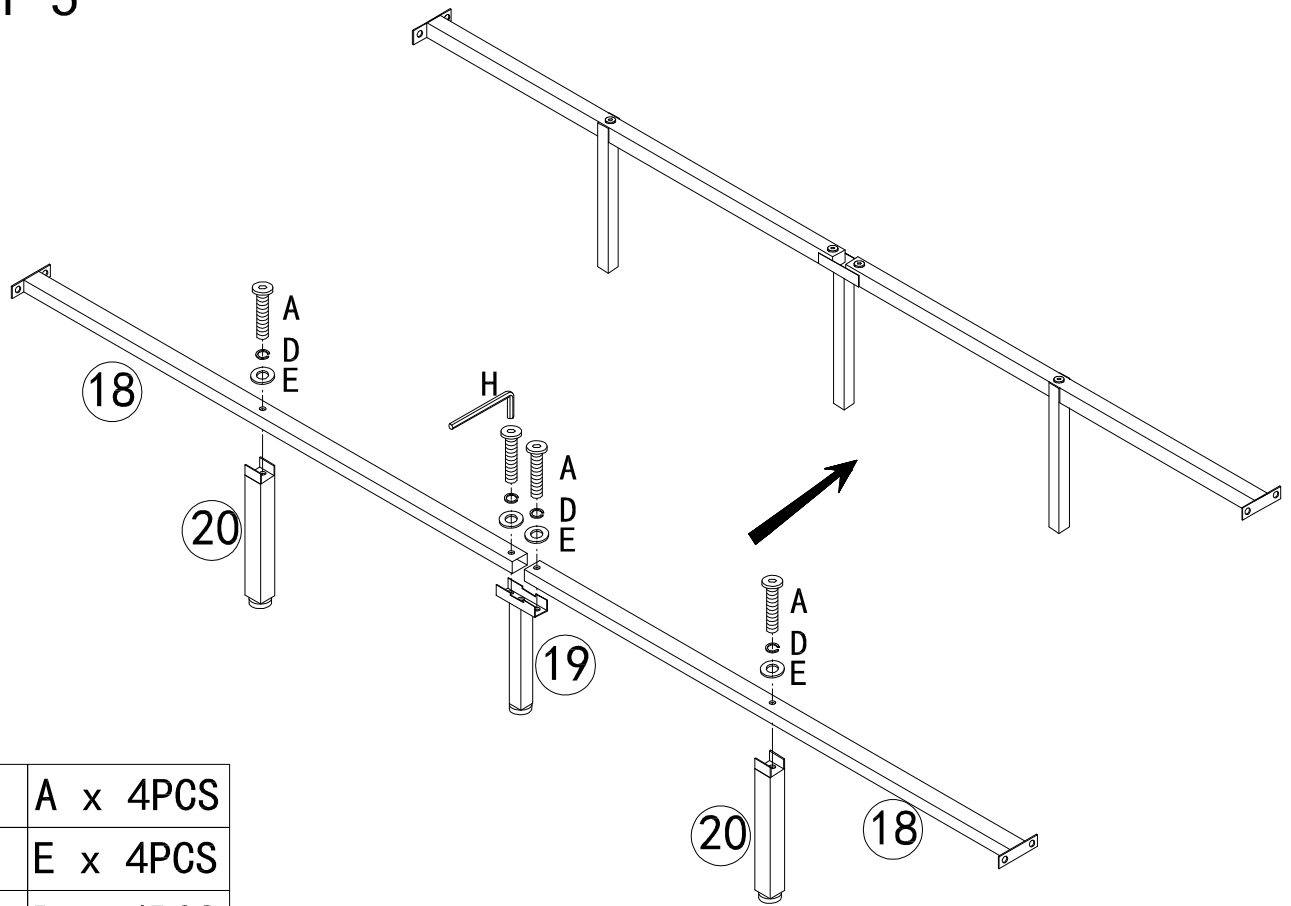
	K x 2PCS
	F x 2PCS
	I x 1PC





STEP 4



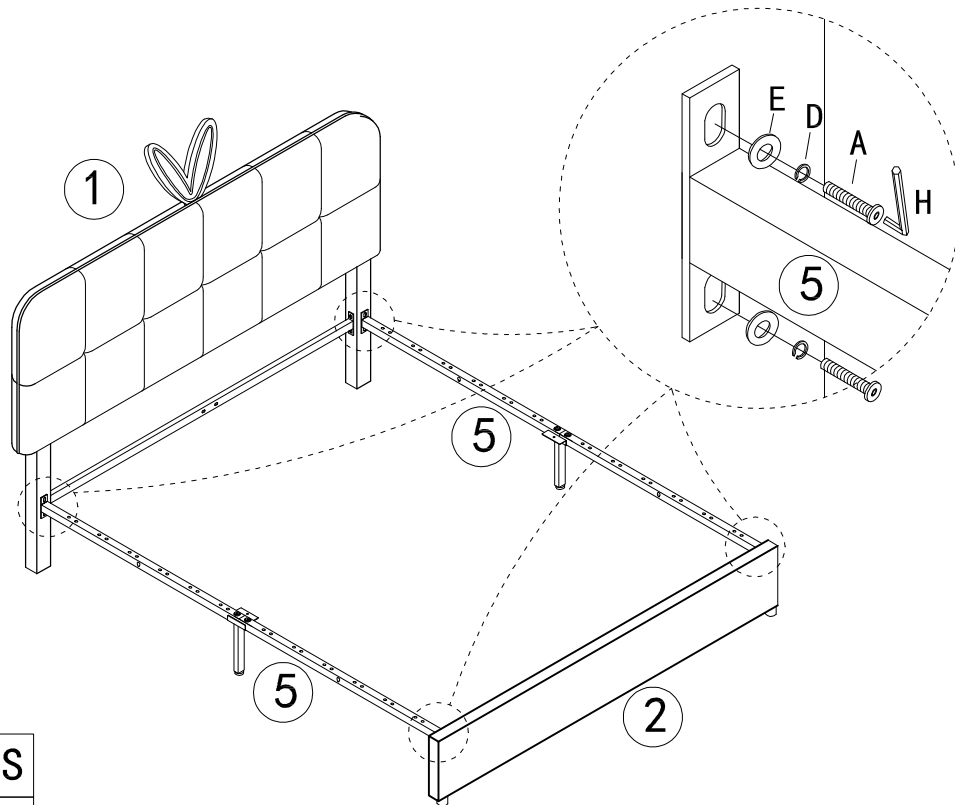
	B x 4PCS
	E x 4PCS
	D x 4PCS
	H x 1PC

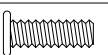



STEP 5



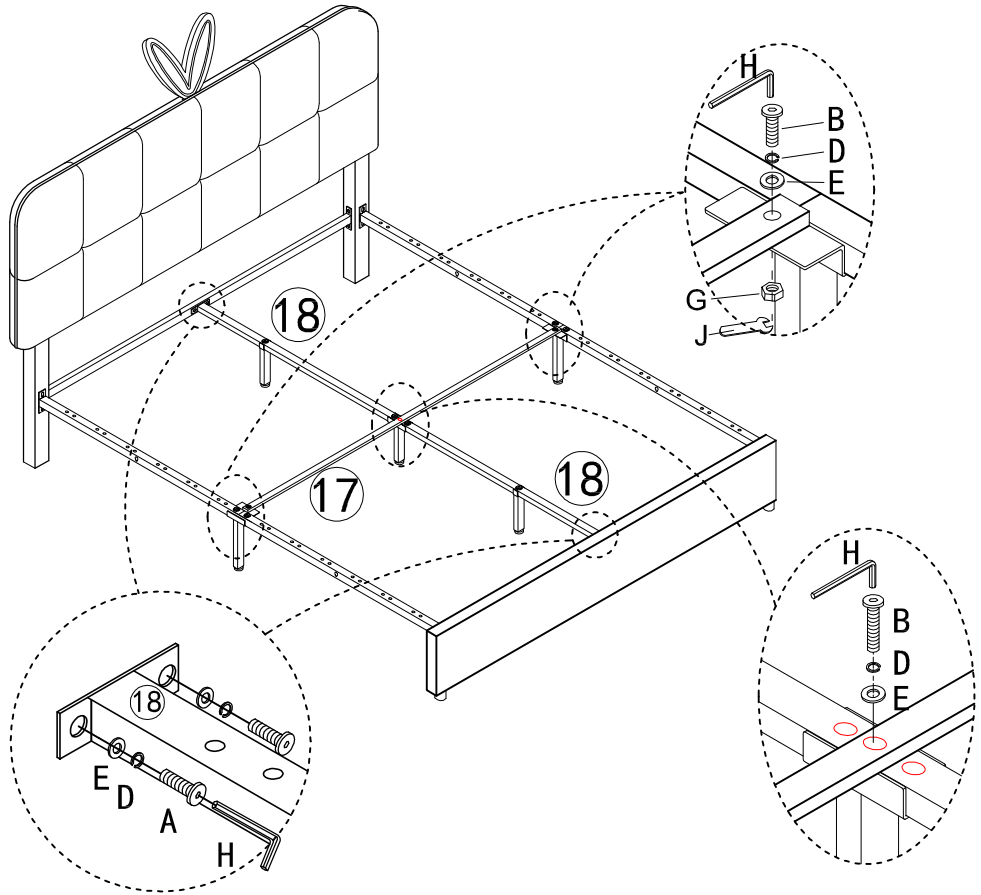
	A x 4PCS
	E x 4PCS
	D x 4PCS
	H x 1PC

STEP 6



	A x 8PCS
	E x 8PCS
	D x 8PCS
	H x 1PC

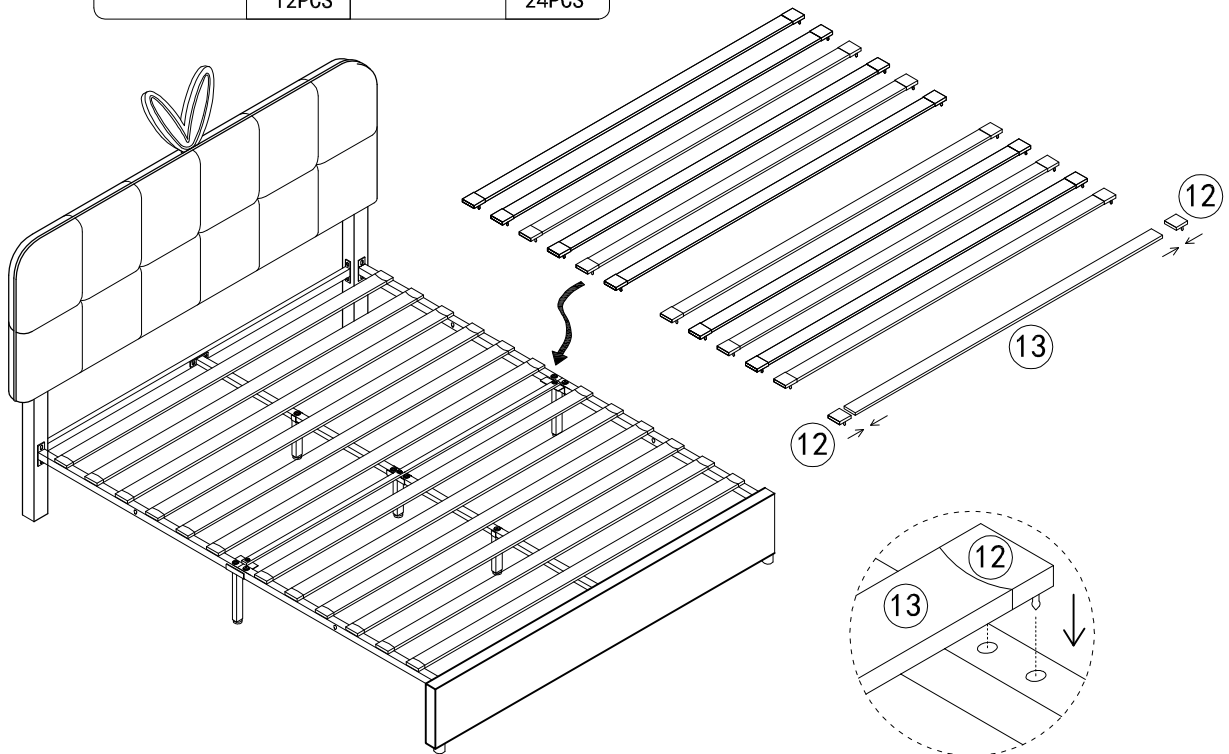
STEP 7



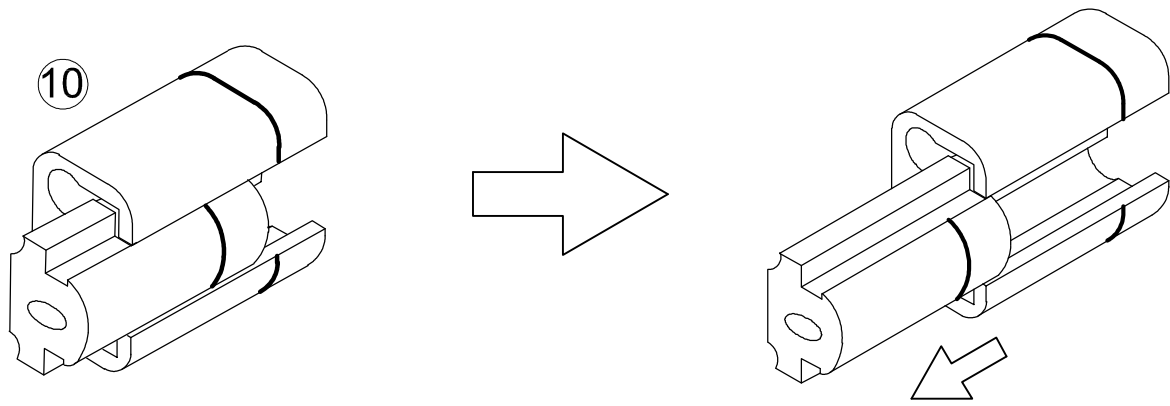
	B x 3PCS
	A x 4PCS
	E x 7PCS
	D x 7PCS
	H x 1PC
	G x 2PCS
	J x 1PC

STEP 8

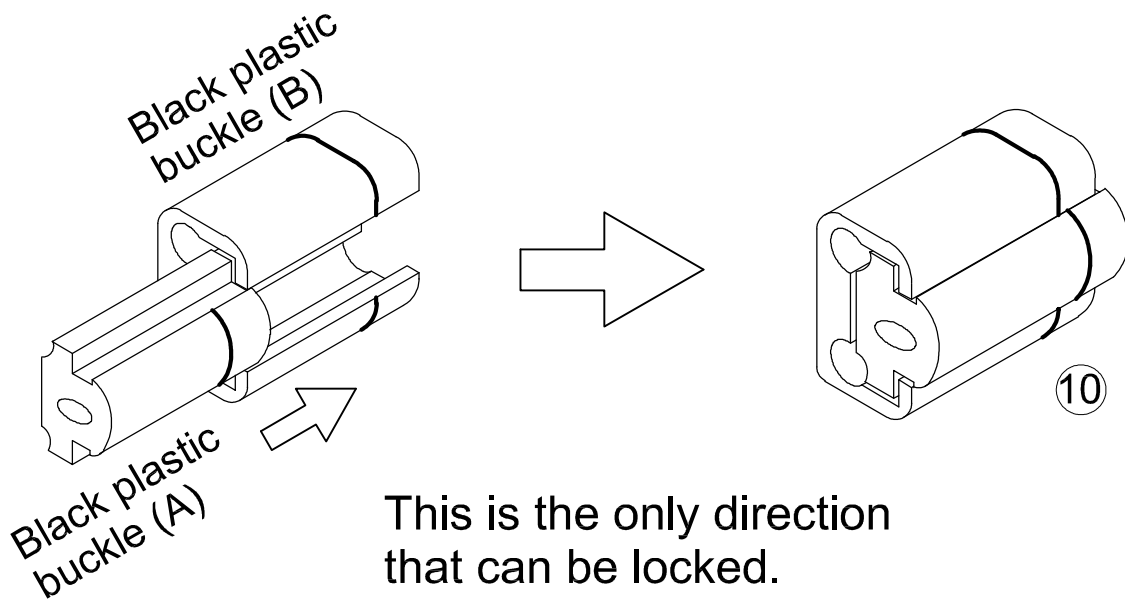
<p>⑬ Slat</p> <p>12PCS</p>	<p>⑫ Single Sided Plastic cap</p> <p>24PCS</p>
----------------------------	--



STEP 9:

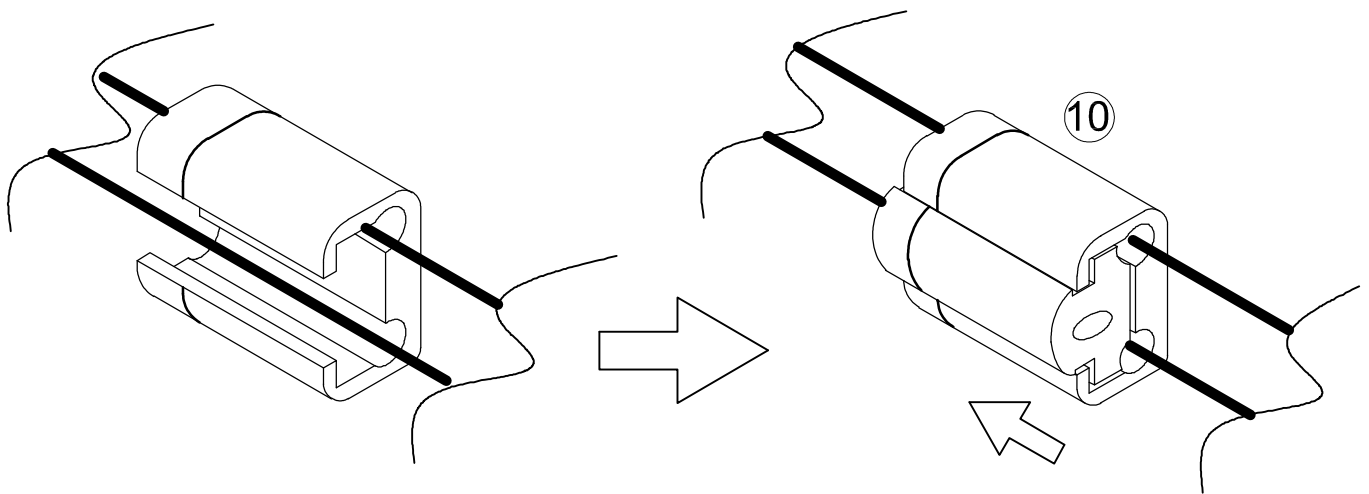


You can pull the buckle out by following the direction indicated by the arrow



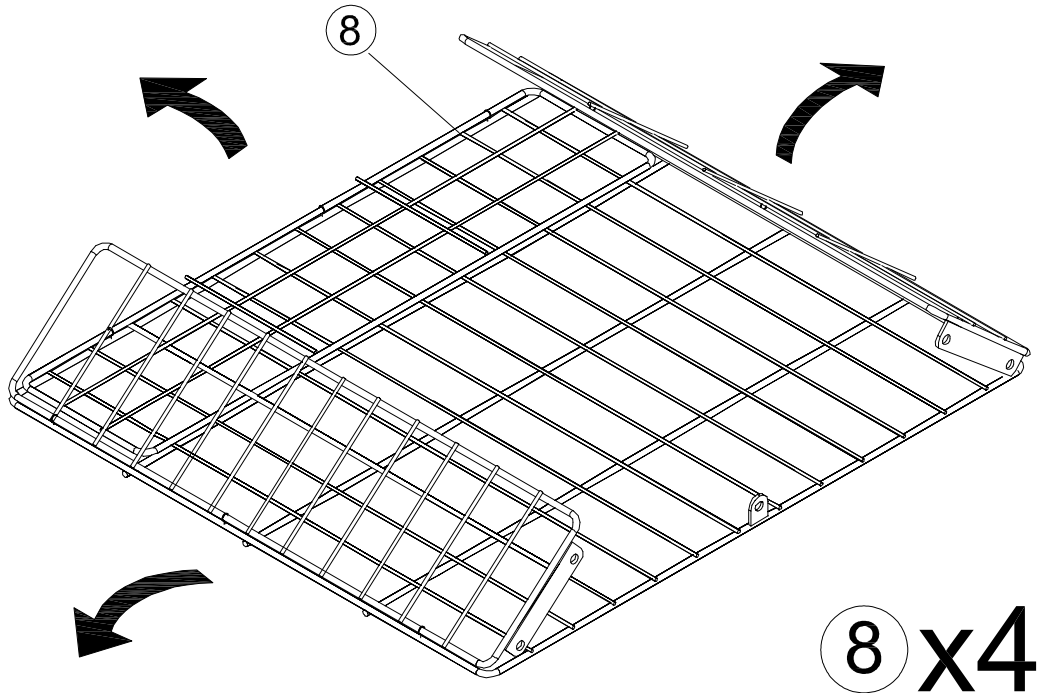
This is the only direction that can be locked.

STEP 10:

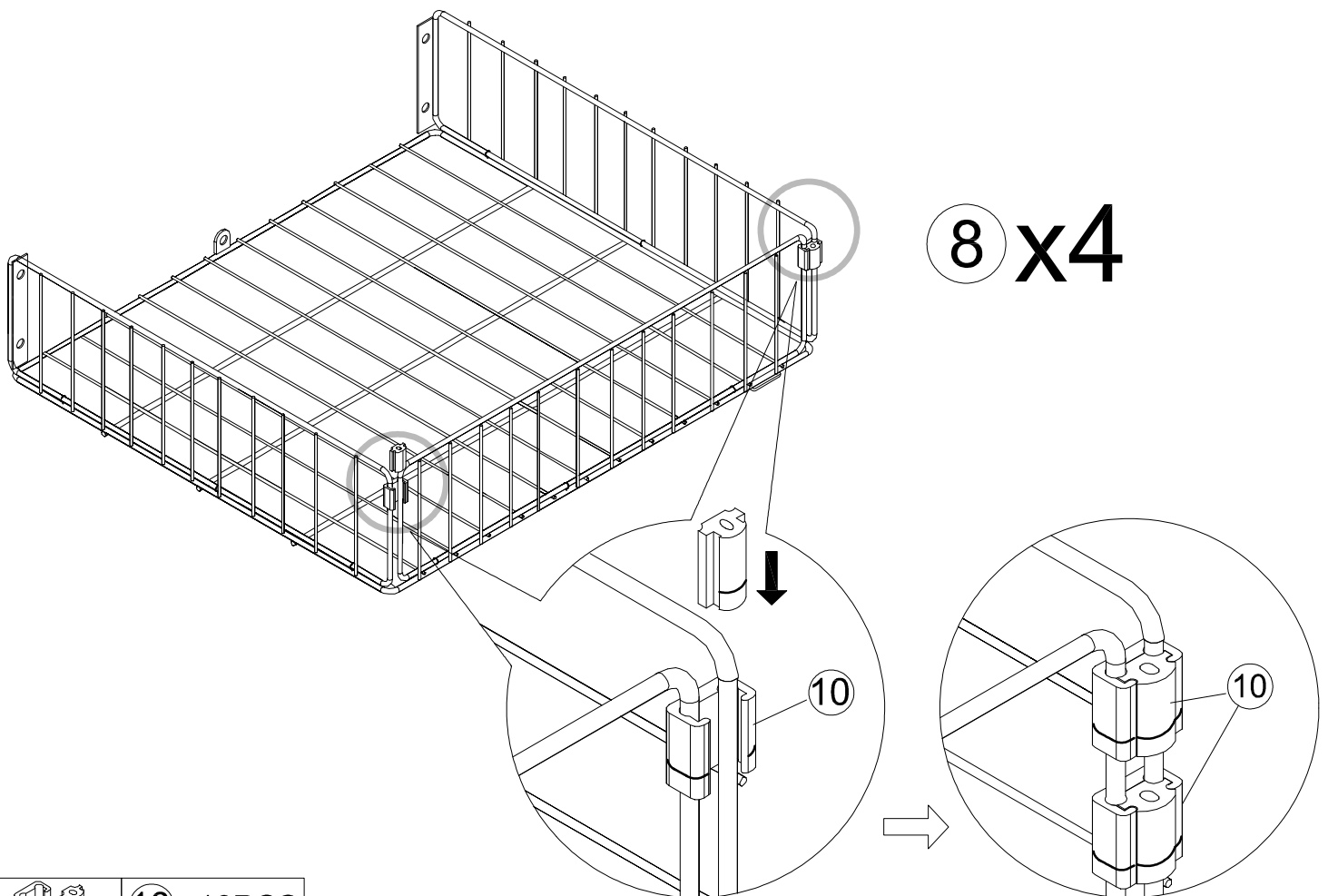


Place round iron tube as shown for better drawer assembly

STEP 11:

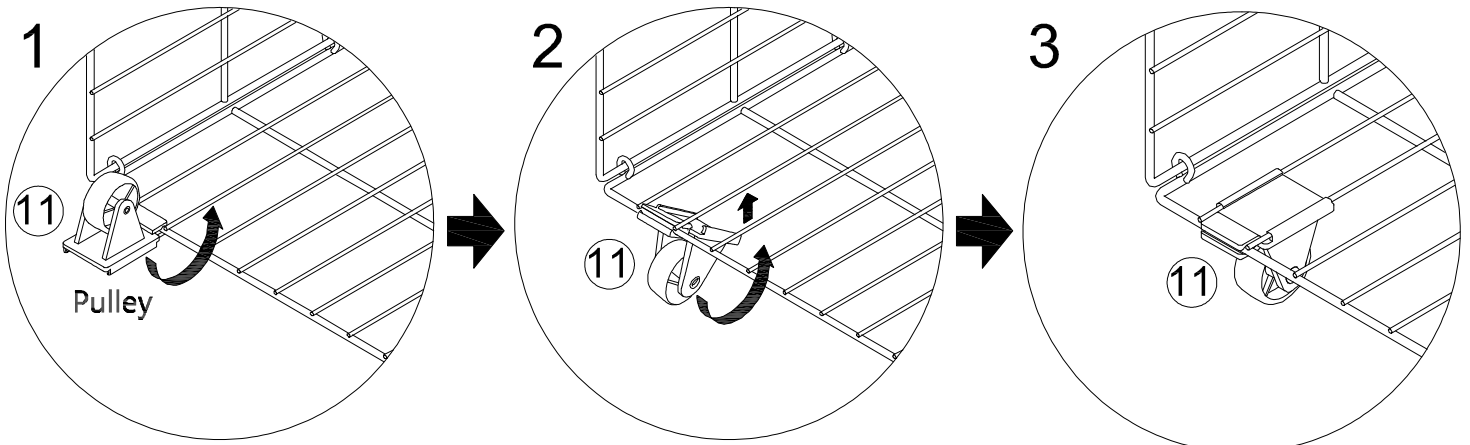


STEP 12:



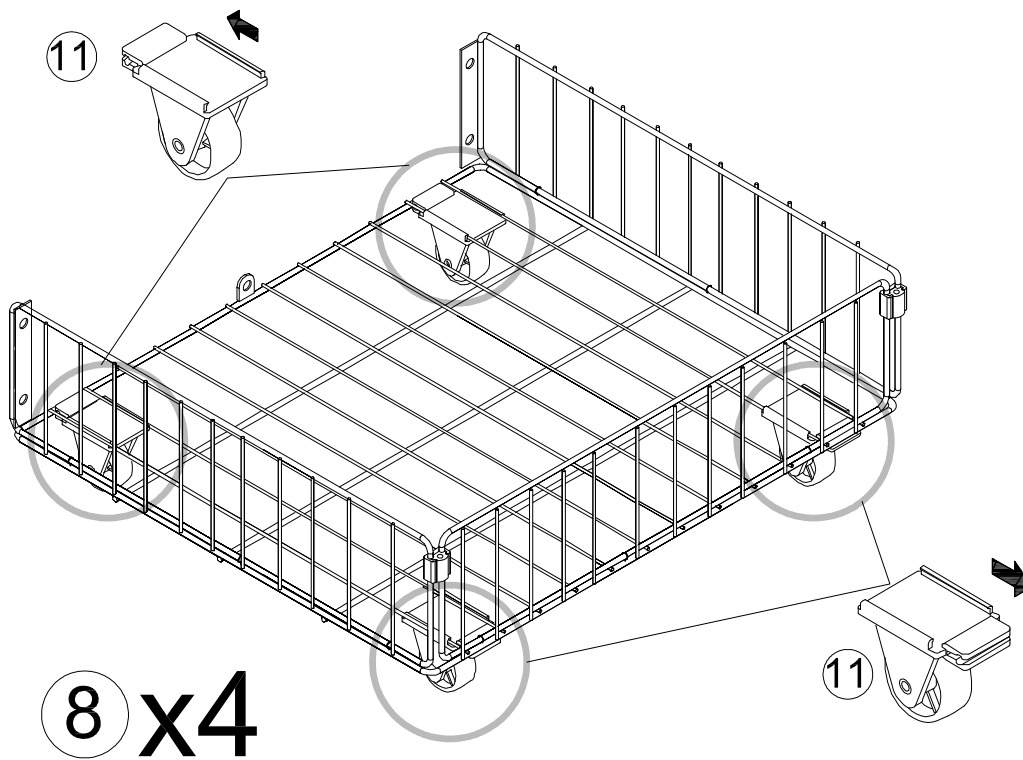
10 x16PCS

STEP 13:



1. As shown in the figure Clip the pulley into position first

2. Then push the pulley to the side, clamp the iron wire at the edge.

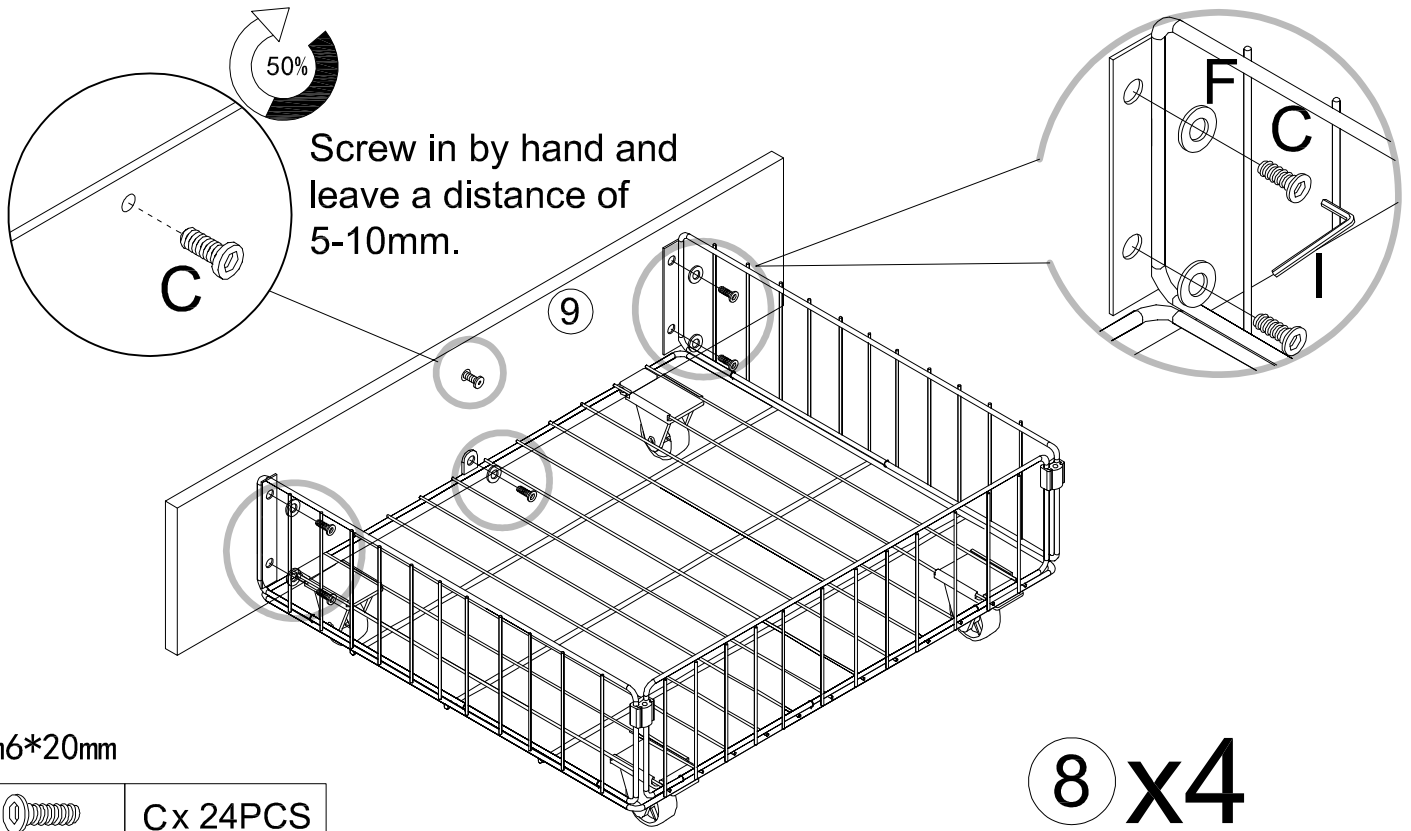


Place the round iron tubes as shown for better assembly of the drawers.






11 x 16PCS

STEP 14:

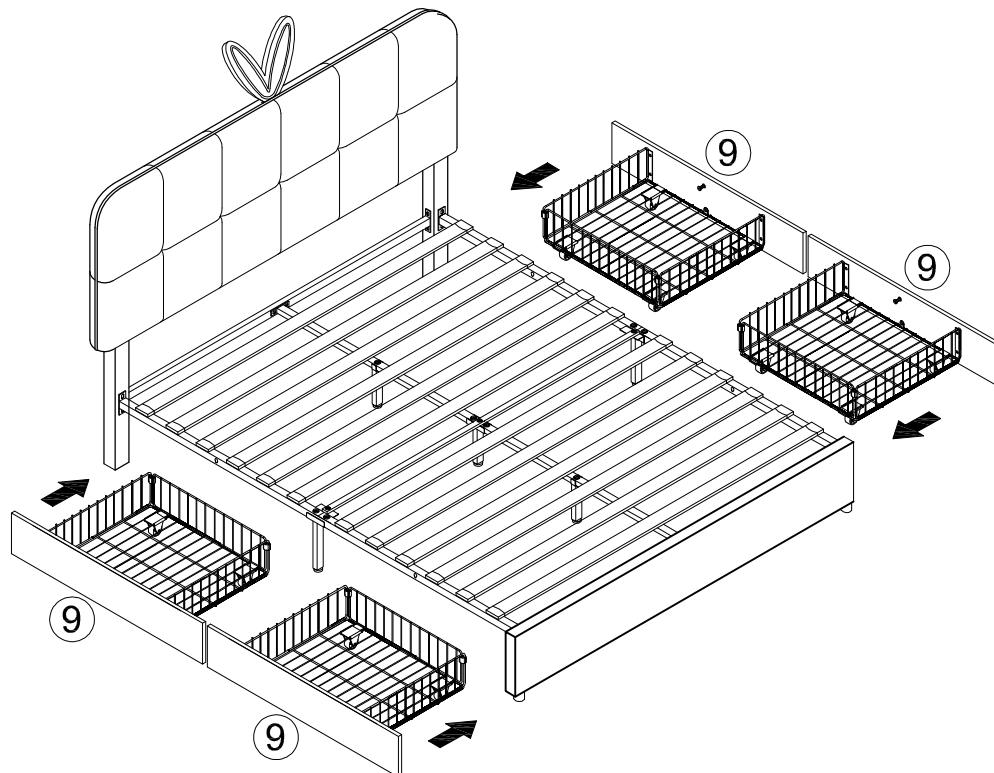


m6*20mm

	C x 24PCS
	F x 20PCS
	I x 1PC

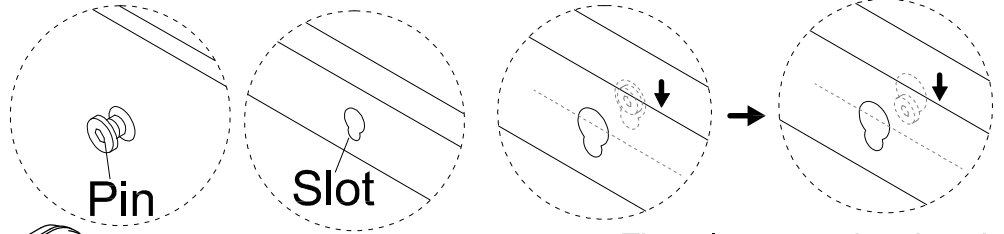
8 x 4

STEP 15:

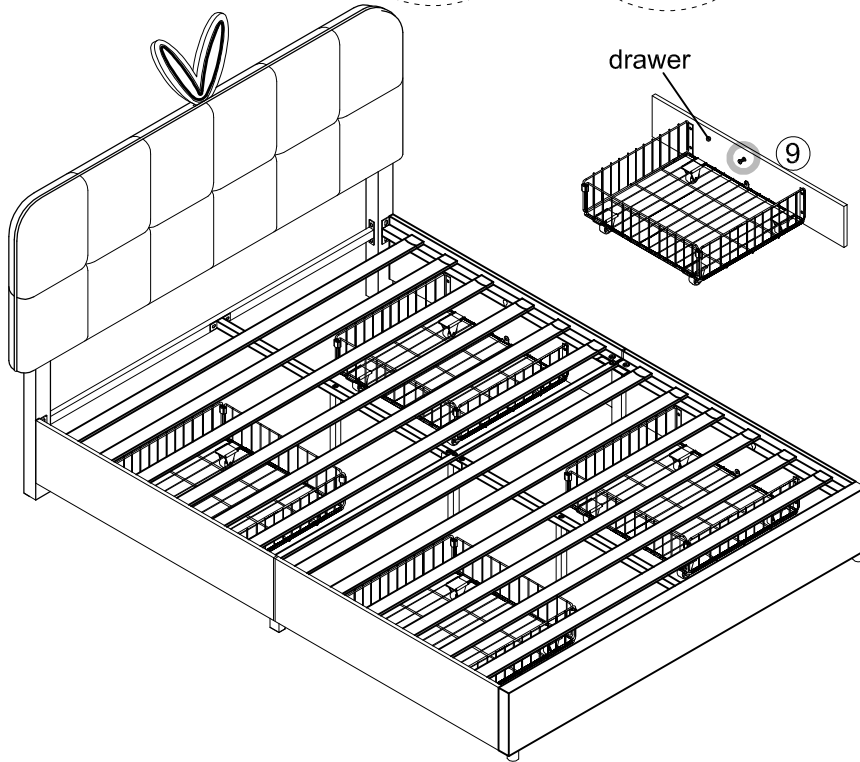


STEP 16:

Drawer panel screw hang into side cross beam hole.



There is a screw head on the drawer board. Hang them in the hole as shown in the figure.



STEP 17:

