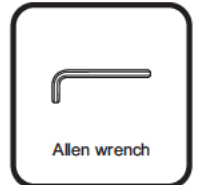
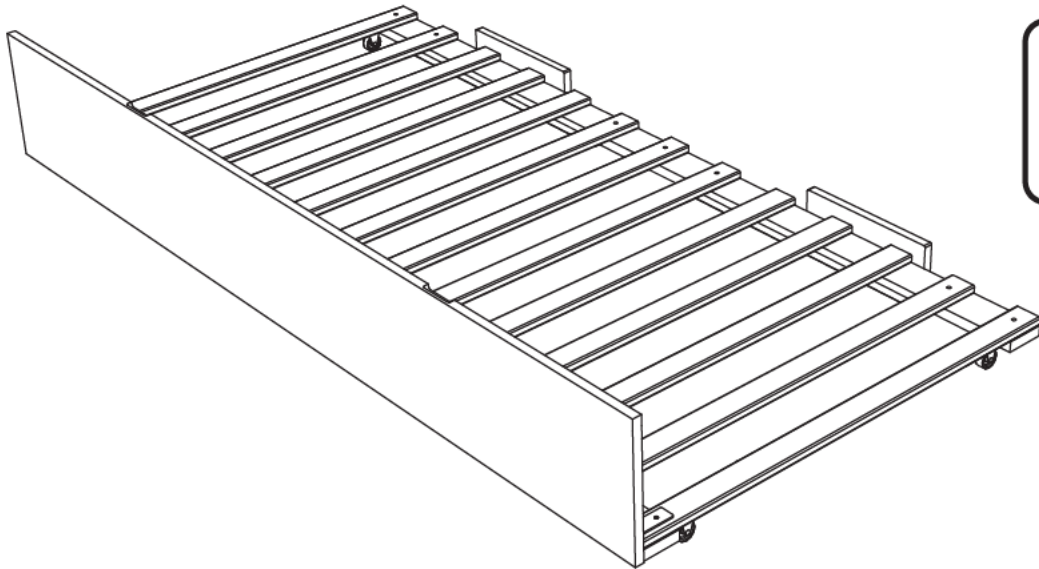


TRUNDLE BED

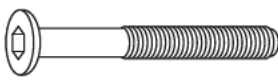
ASSEMBLY INSTRUCTIONS

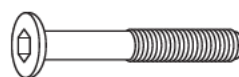
Before assembling your Trundle bed, please read through these instructions carefully. Familiarize yourself with the different parts.

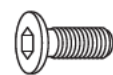


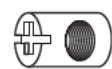
HARDWARE

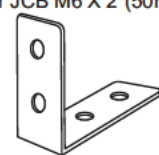
NOTE: WE INCLUDE SPARE HARDWARE IN CASE DAMAGE OCCURS DURING ASSEMBLY.


A  JCB M6 X 2 3/8" (60mm) - 4 pcs
Spare - 1 pc

B  JCB M6 X 1 3/4" (45mm) - 17 pcs
Spare - 2 pcs

C  JCB M6 X 5/8" (15mm) - 6 pcs
Spare - 2 pcs
Fix L bracket to front panel

D  Barrel nut - 4 pcs
Spare - 1 pc
For JCB M6 X 2"(50mm)

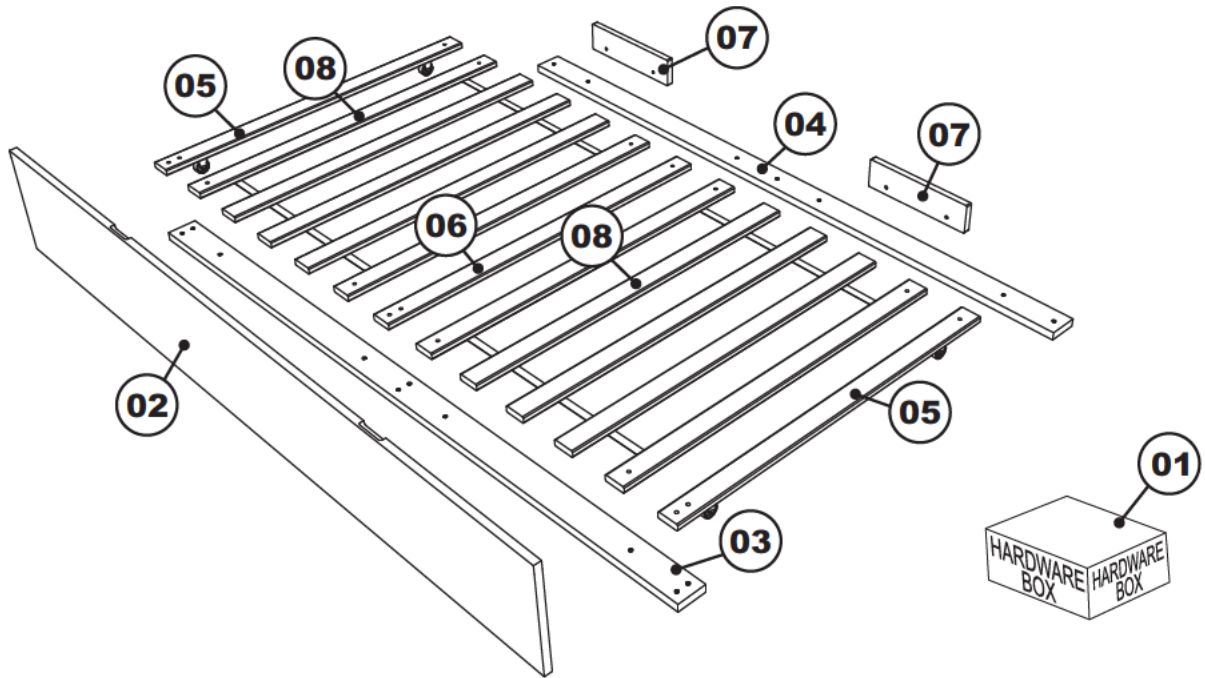
E  L Bracket - 3 pcs

F  Allen wrench - 1 pc
Spare - 1 pc

TRUNDLE BED

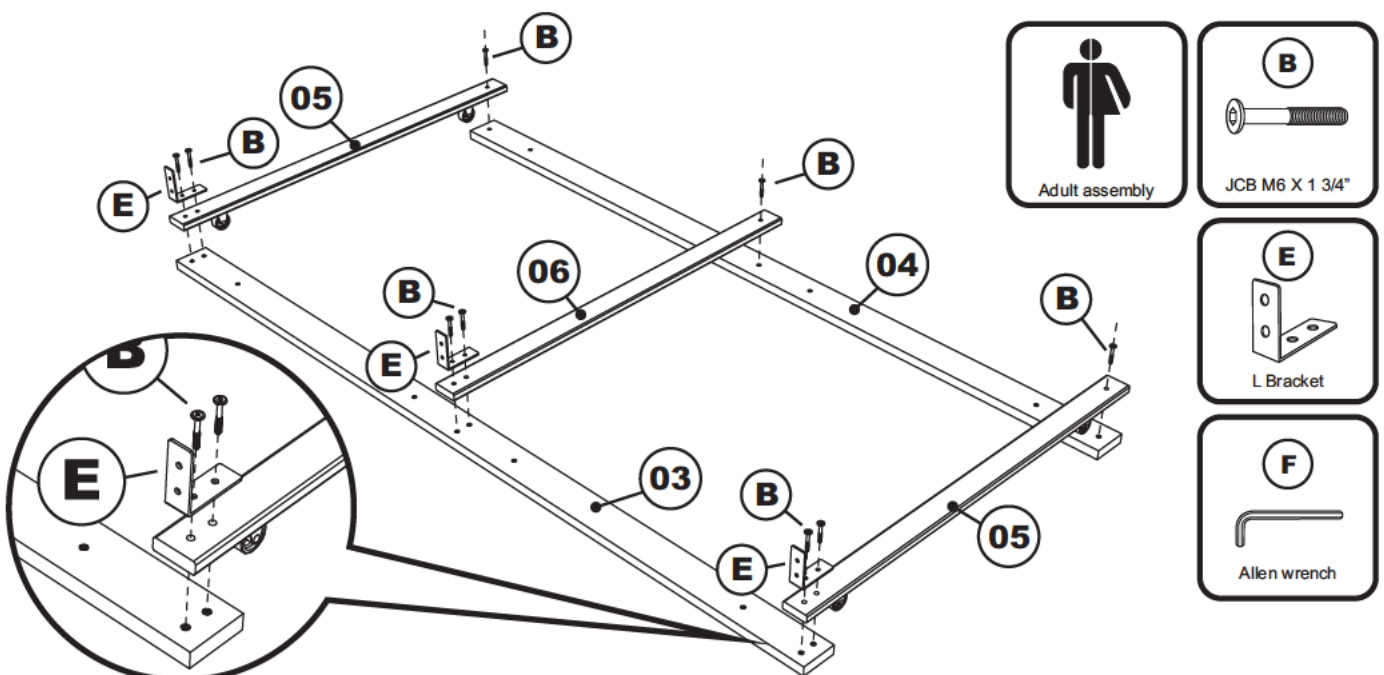
PARTS LIST

01	HARDWARE	1 BOX	05	SIDE CROSS RAIL	2 PCS
02	FRONT PANEL	1 PC	06	CENTER CROSS RAIL	1 PC
03	FRONT RAIL	1 PC	07	REAR BLOCK	2 PCS
04	BACK RAIL	1 PC	08	SLAT KIT	2 SET



Step 1

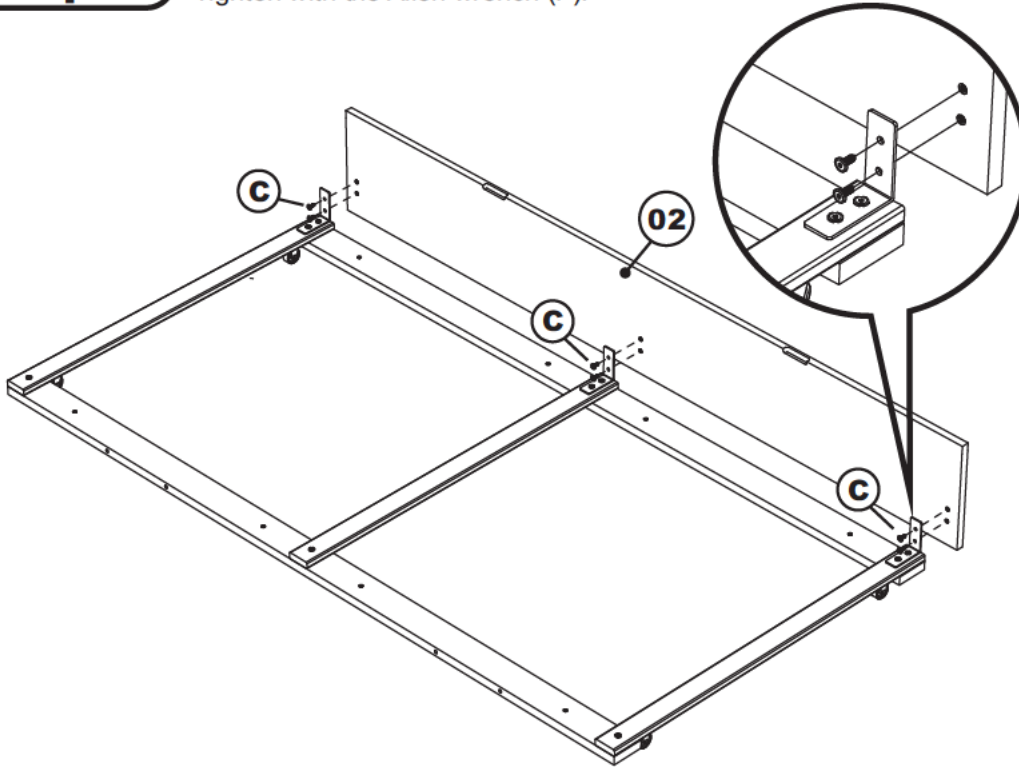
Attach the side cross rails (05) and center cross rail (06) to the front and back rail (03)(04), using L bracket (E), JCB M6 X 1 3/4" (B). Tighten with the Allen wrench (F).



TRUNDLE BED

Step 2

Attach the front panel (02) to the front rail as shown, using JCB M6 X 5/8" (C). Tighten with the Allen wrench (F).



Adult assembly

C



JCB M6 X 5/8"

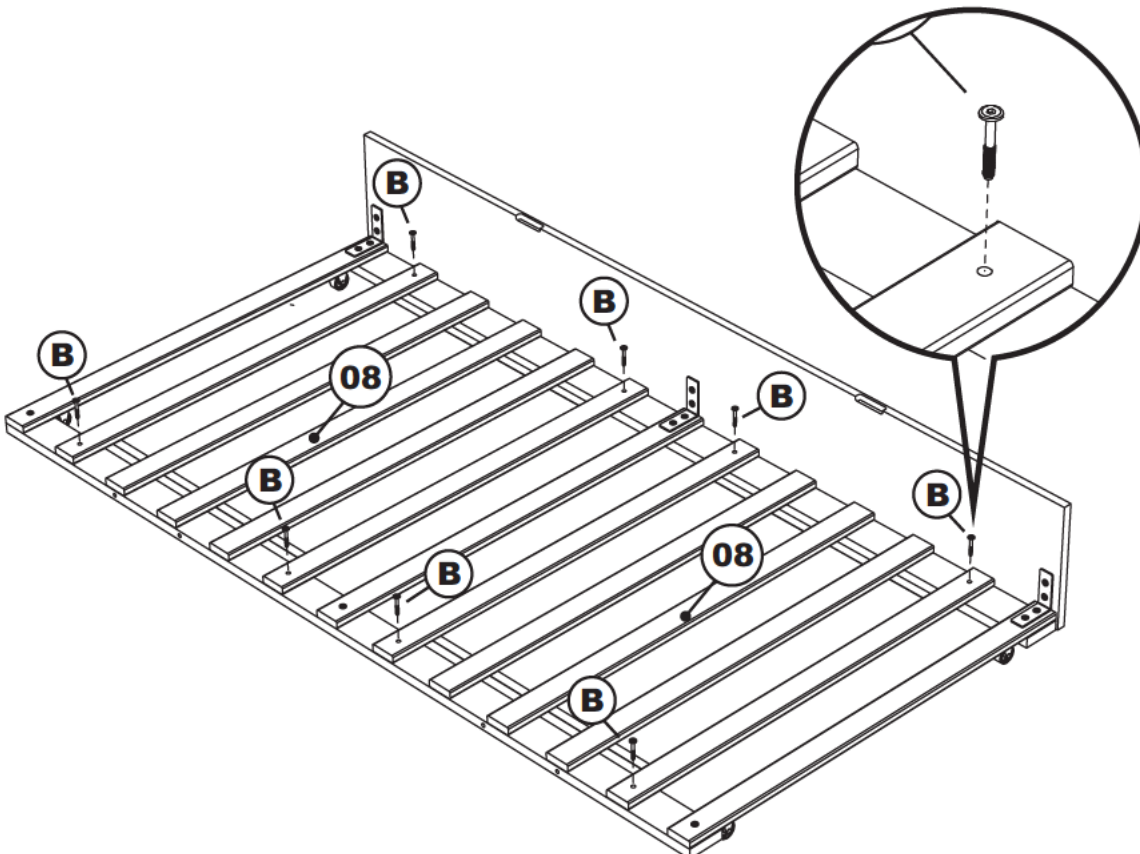
F



Allen wrench

Step 3

Lay the slat kit (08) onto the rail assembly as shown, using JCB M6 X 1 3/4" (B). Tighten with the Allen wrench (F).



Adult assembly

B



JCB M6 X 1 3/4"

F



Allen wrench

TRUNDLE BED

Step 4

Attach the rear block (07) to the back rail as shown. Using JCB M6 X 2 3/8" (A) barrel nut (D), tighten with the Allen wrench (F)

