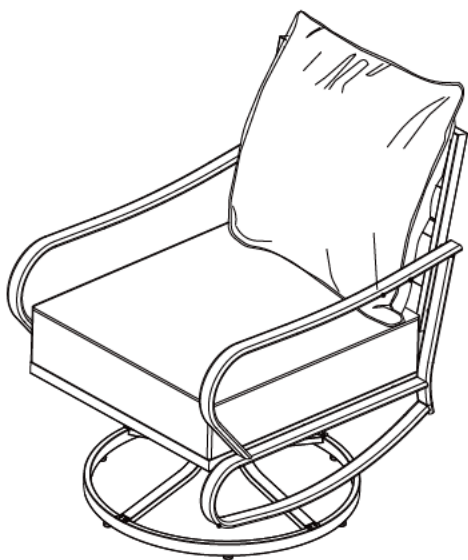
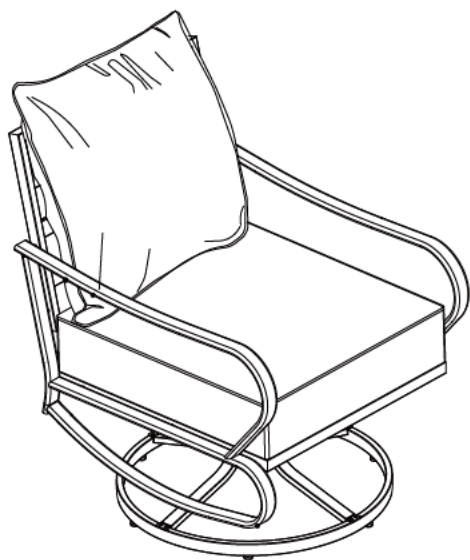


METAL SWIVEL CHAIR




NOTICE

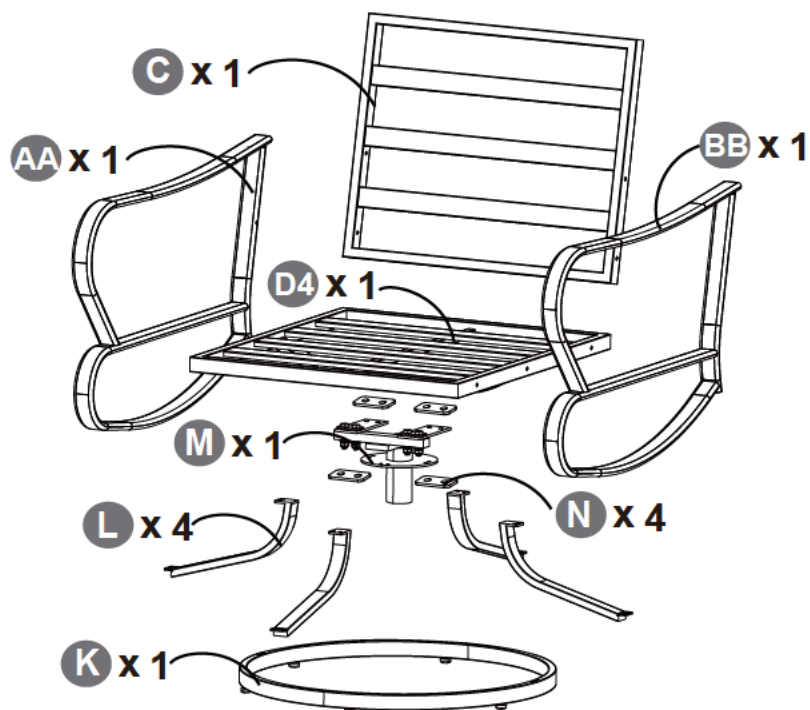
Please keep these instructions for future reference.










Dear Customer

- Thank you for your purchase. When you receive the product, please make sure that all the parts are intact. Then follow the entire installation instructions to install!
- Please install under viewing the instruction, if you have some problem below, contact our customer service first.
 - A . The outer box is damaged
 - B . The product is damaged / bent / cracked while you open the box
 - C . The parts / accessories / assembly tools are missing
 - D . The instructions are not clear and can not be referred
 - E . The product has functional problems

 **When installing furniture, please do not tighten the screws all the way in one step (up to 60% is sufficient). Align all the holes first and gradually tighten them.**

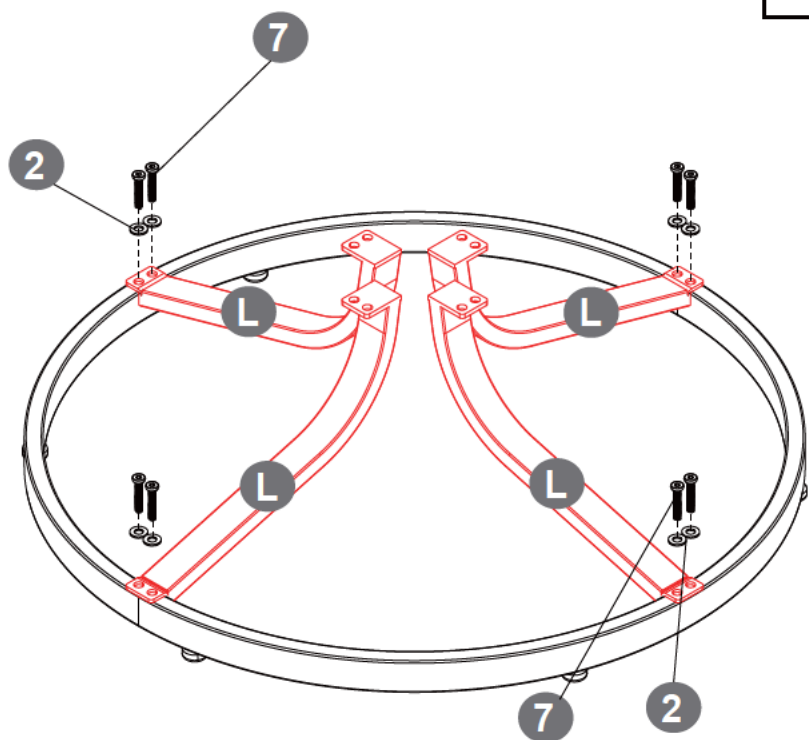
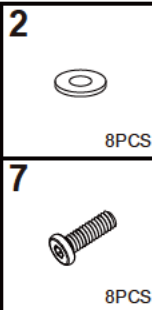
PART LIST



<p>1</p>  <p>M6*35MM</p> <p>x10</p>	<p>2</p>  <p>M6</p> <p>x26</p>	<p>3</p>  <p>Tool</p> <p>x1</p>	<p>11</p>  <p>Waterproof Cover</p> <p>x1</p>
<p>5</p>  <p>M8</p> <p>x4</p>	<p>6</p>  <p>M8</p> <p>x4</p>	<p>7</p>  <p>M6*15MM</p> <p>x16</p>	<p>8</p>  <p>Tool</p> <p>x2</p>
<p>12</p>  <p>x4</p>			

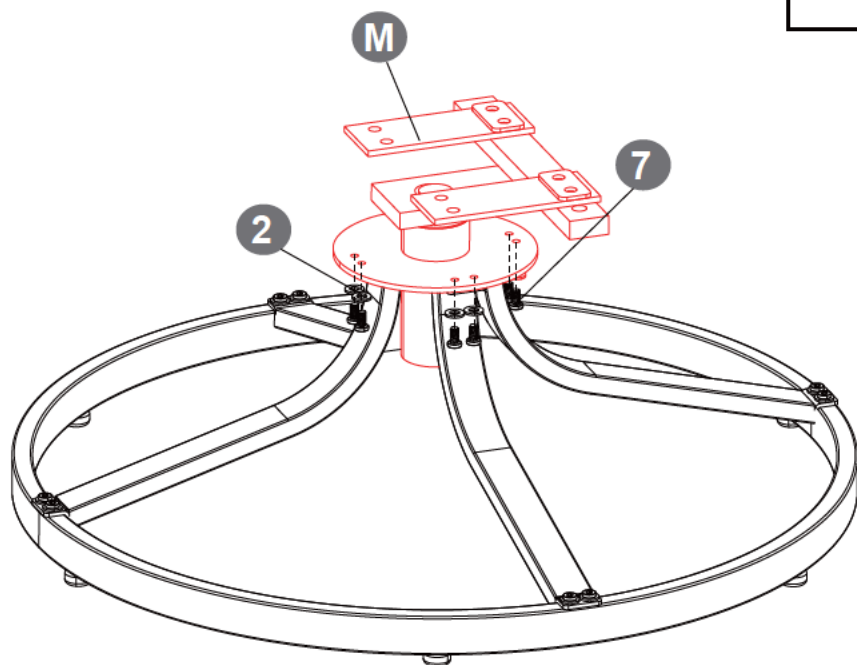
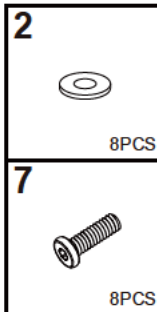
STEP

1



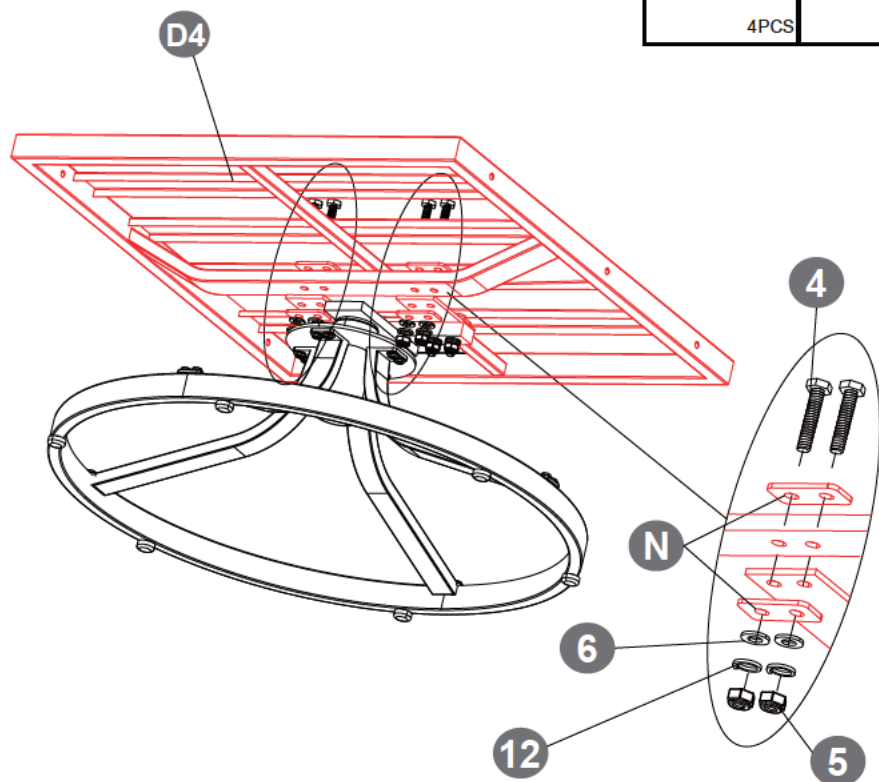
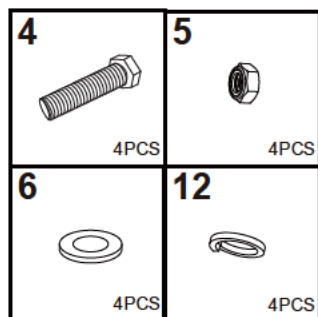
STEP

2



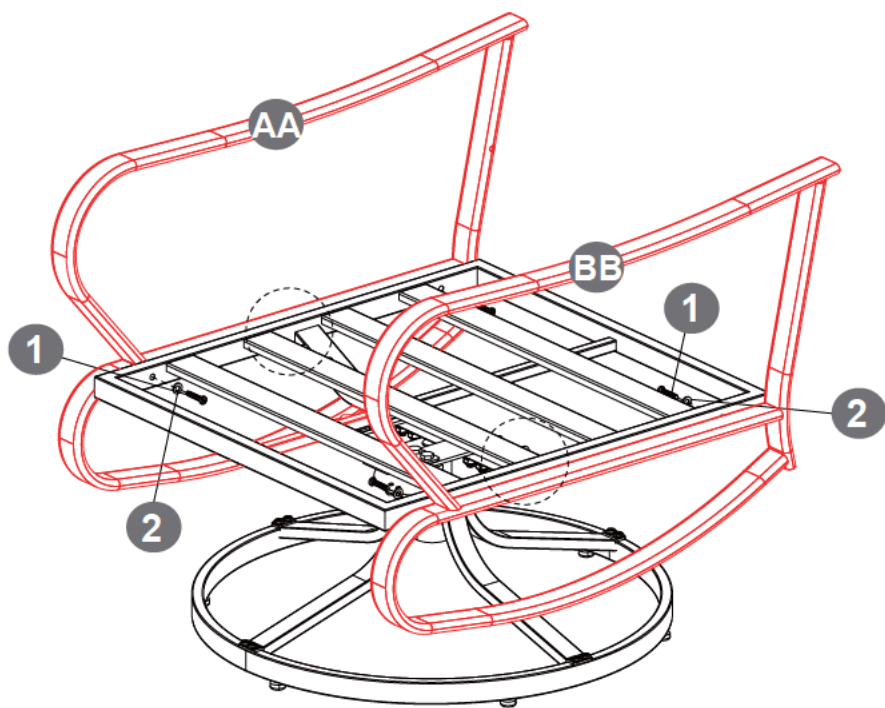
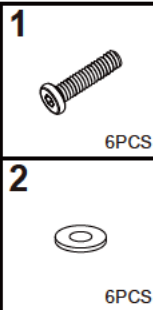
STEP

3



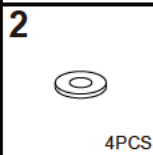
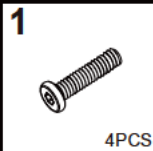
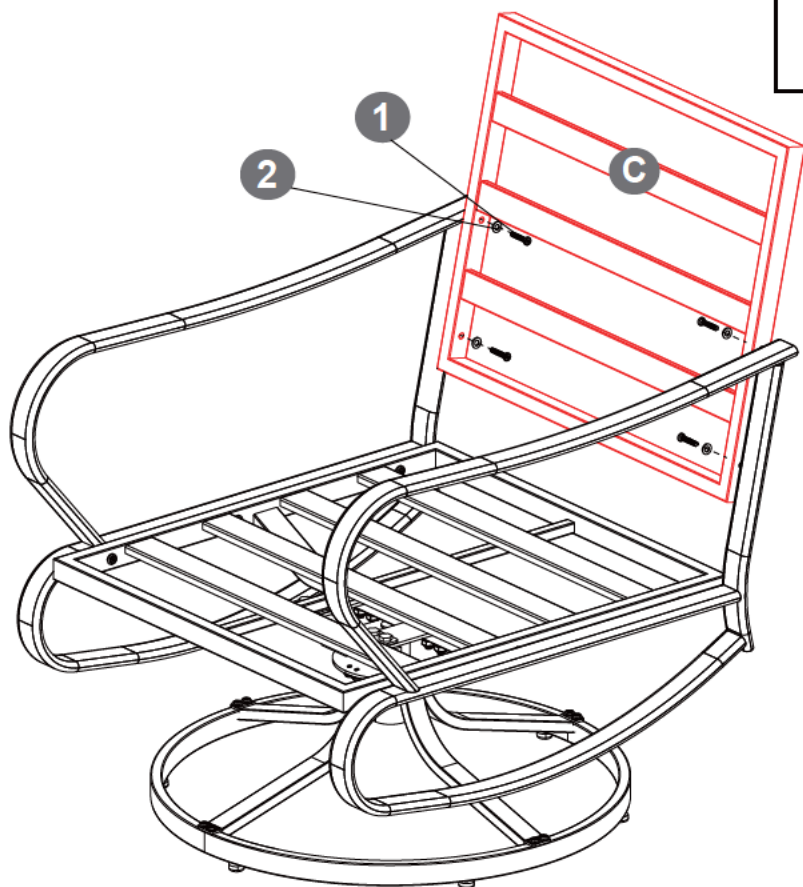
STEP

4



STEP

5



STEP

6

