

Outdoor Privacy Screen



Address: 14404-14410 Best Avenue ,Santa Fe Springs

Tel: 6265865869

Email: daisy@firstopintl.com



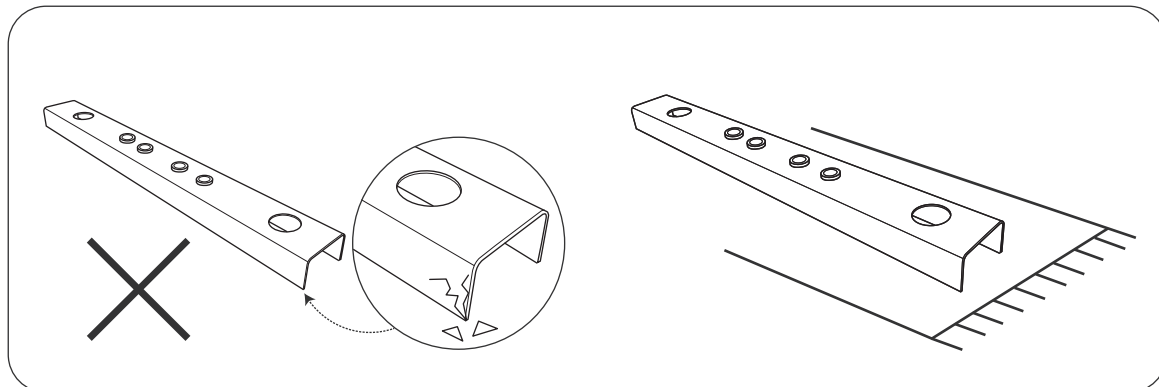
If the privacy screen will be used in a strong wind area, we highly recommend you using four Hex-Head Sleeve Anchors to fix the privacy screen on solid ground.

Before assembling, we recommend:

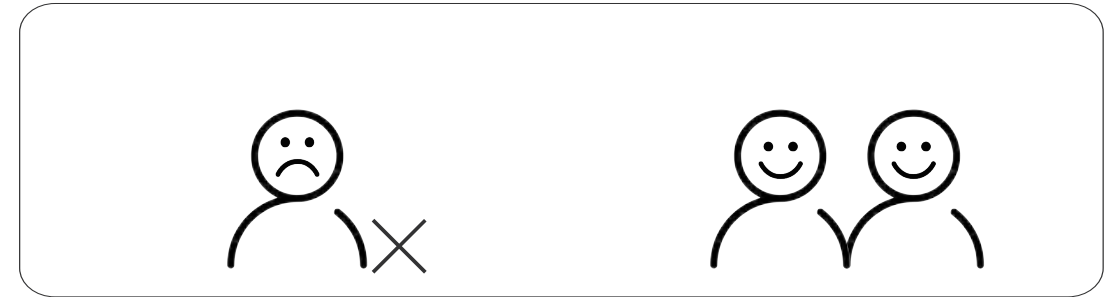
1. Wear Gloves.



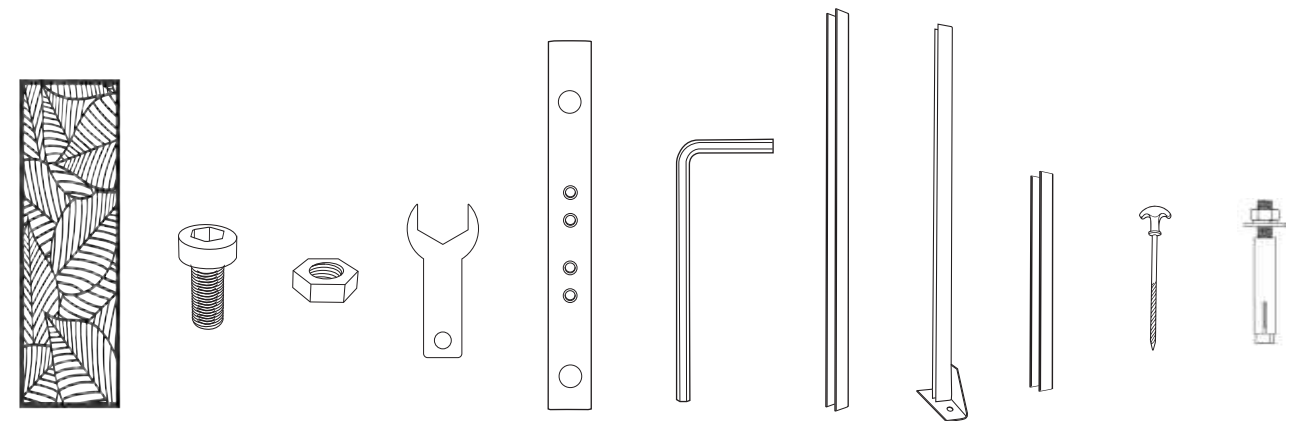
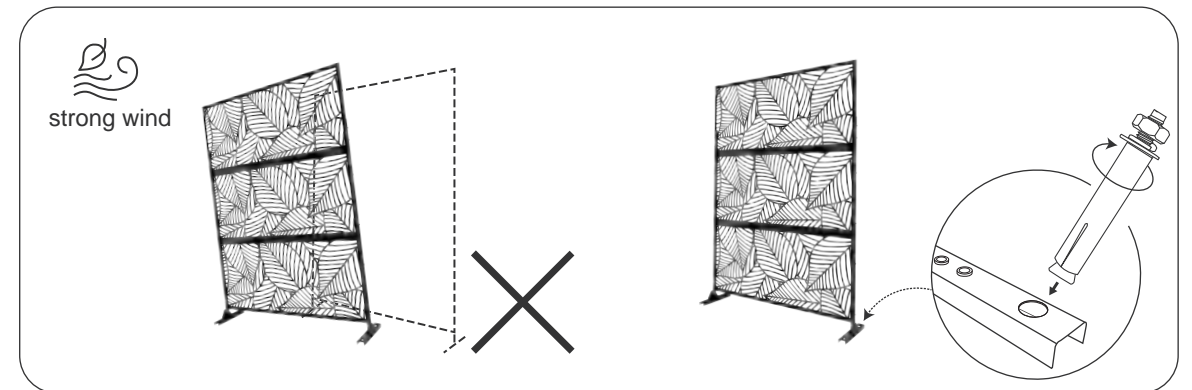
2. Don't assemble the privacy screen on a Hard Surface.



3. Ask for a Helping Hand.



4. Use Hex-Head Sleeve Anchors to fix the privacy screen on solid ground if necessary.

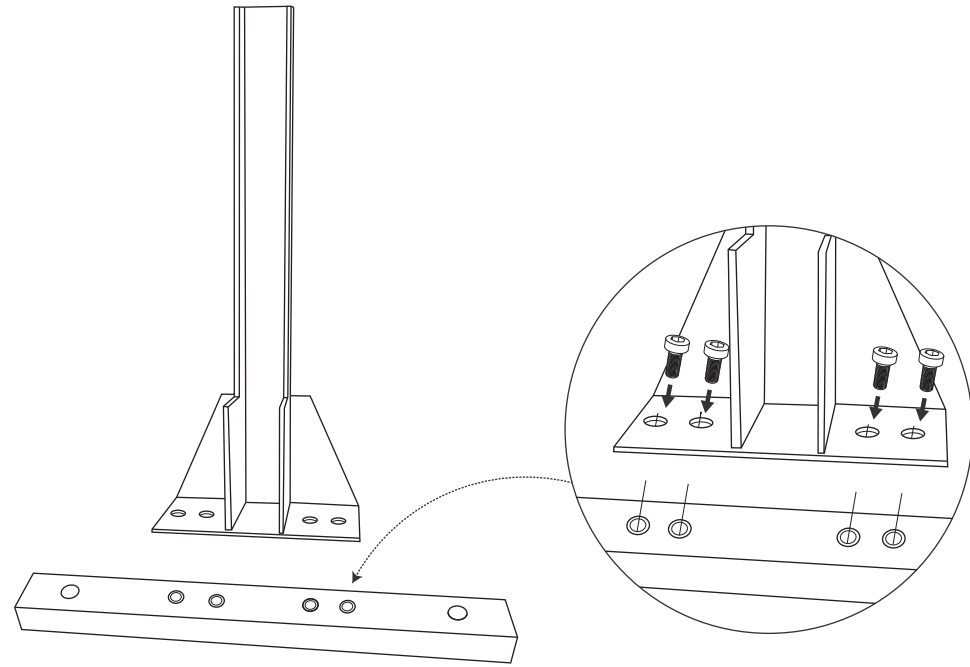


①	②	③	④	⑤	⑥	⑦	⑧	⑨	⑩	⑪
3pcs	42pcs	38pcs	1pcs	2pcs	1pcs	2pcs	2pcs	2pcs	4pcs	4pcs

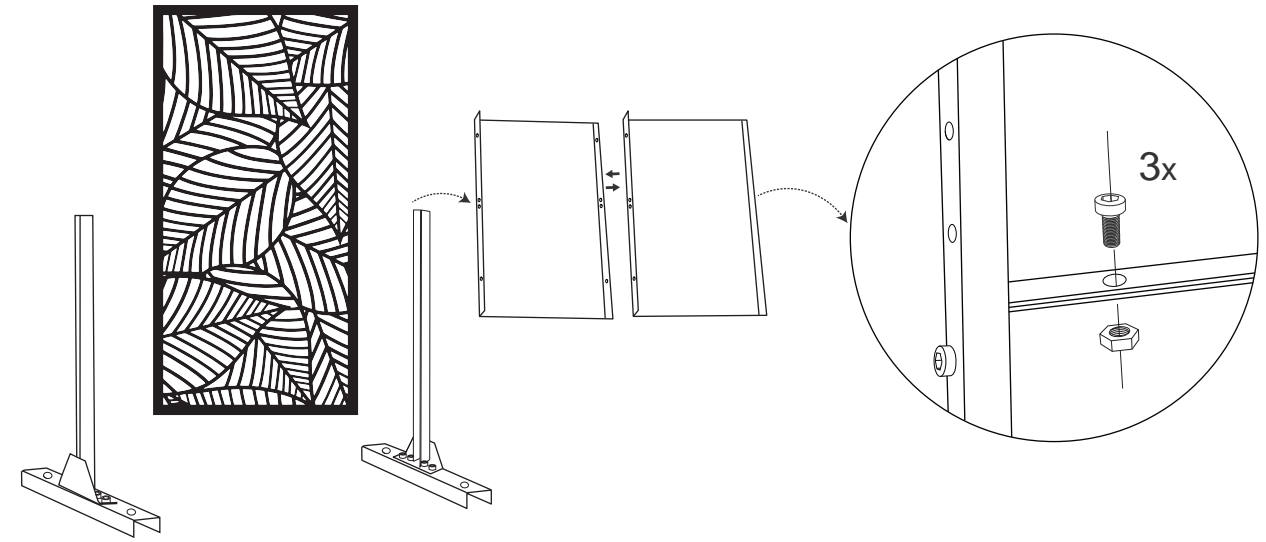
Be sure to check all packing material fitting the packing list.
Be careful for small parts, which may have come loose inside the carton during shipment

Vertically Install

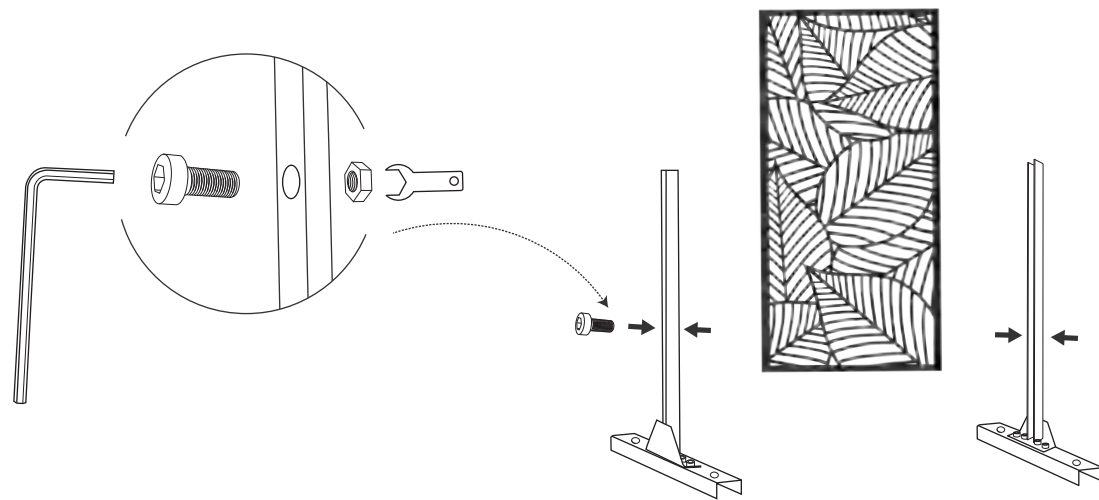
1.



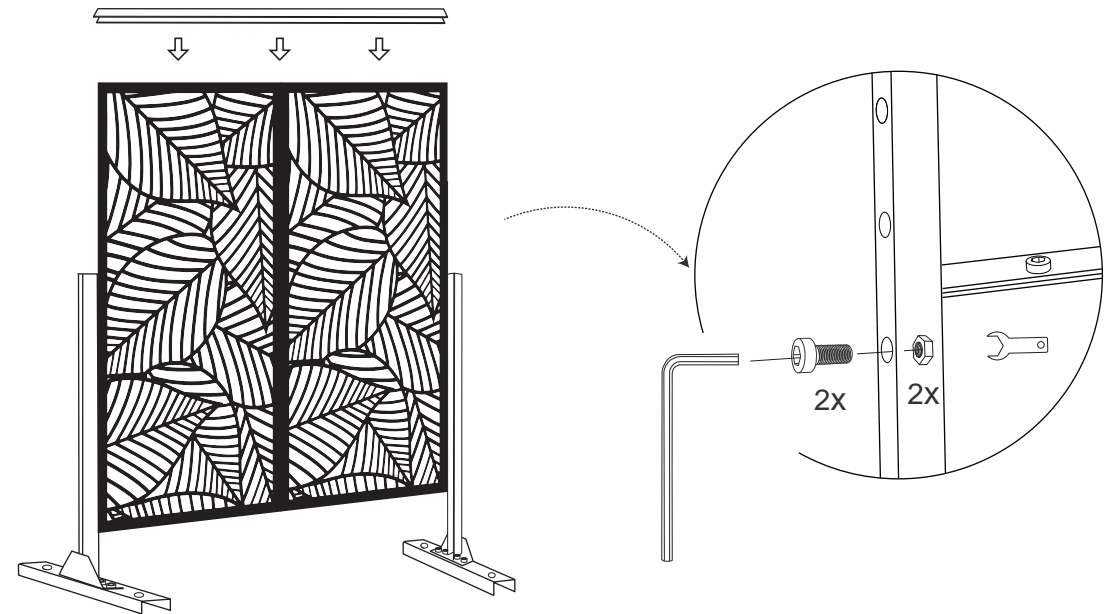
3.



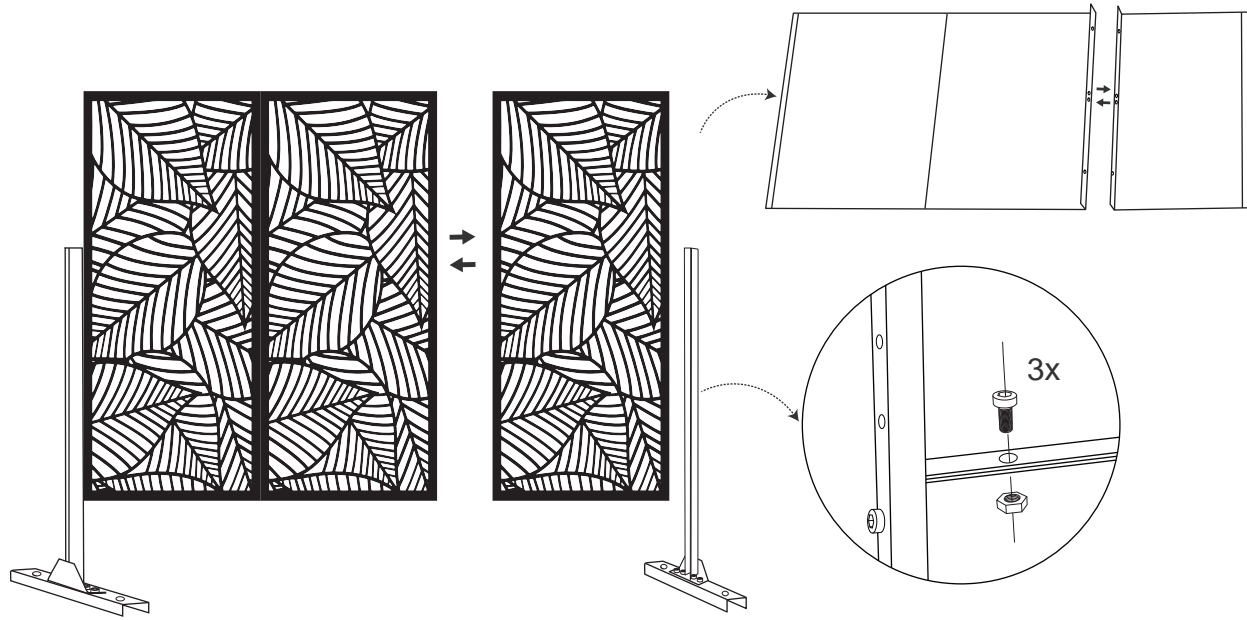
2.



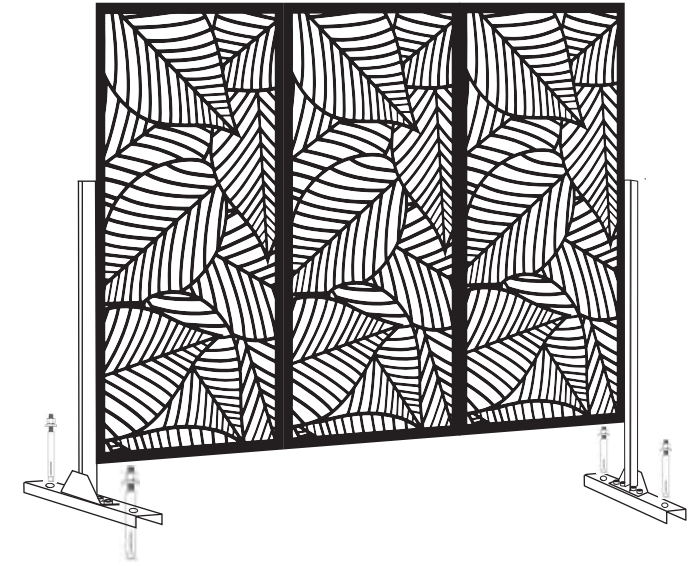
4.



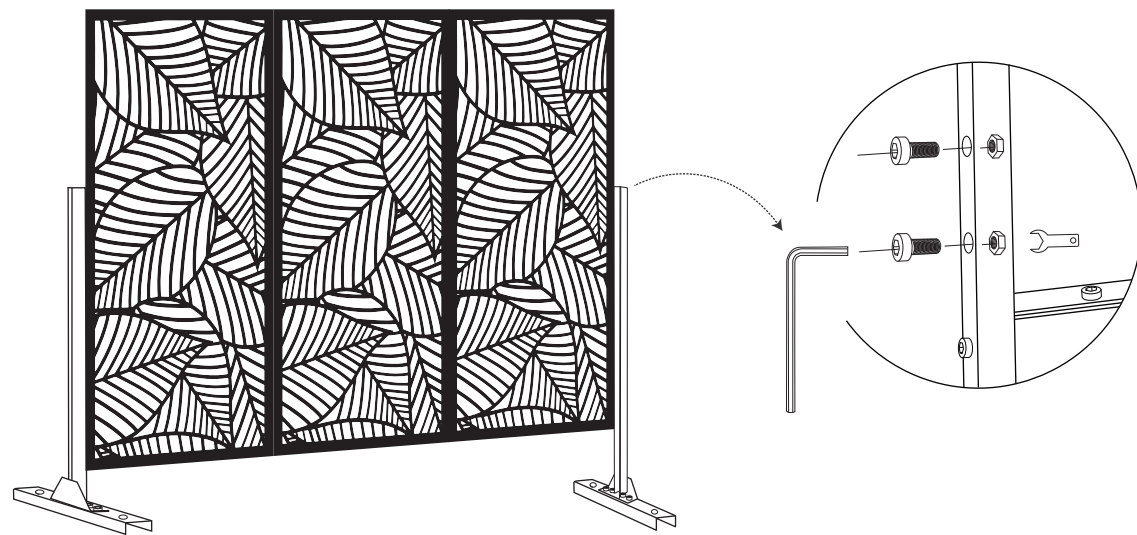
5.



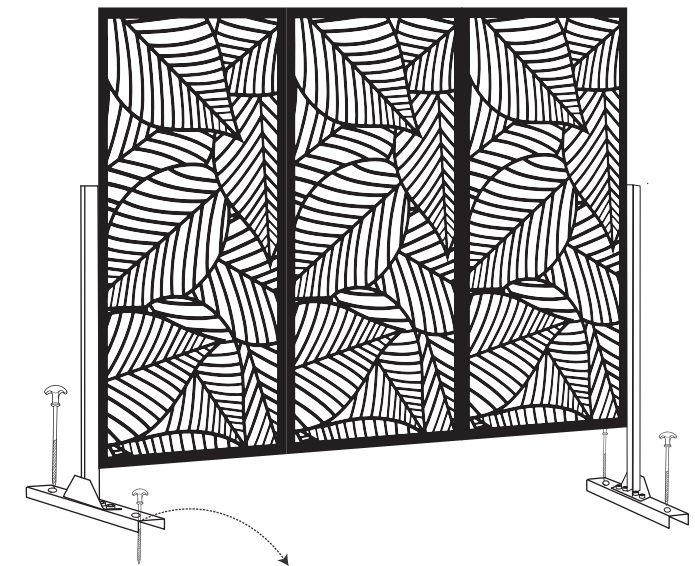
7.



6.



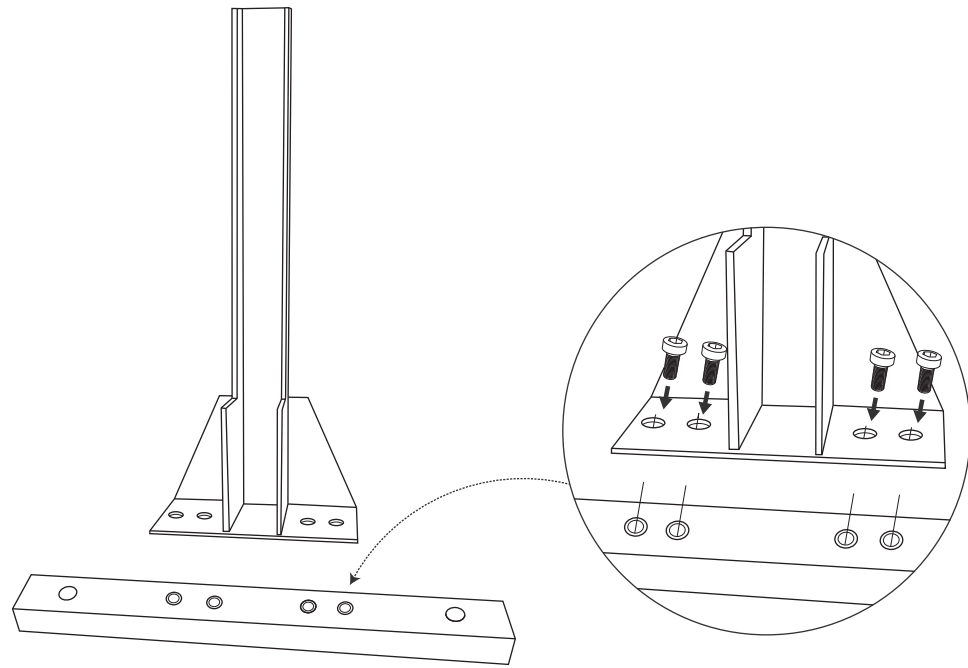
8.



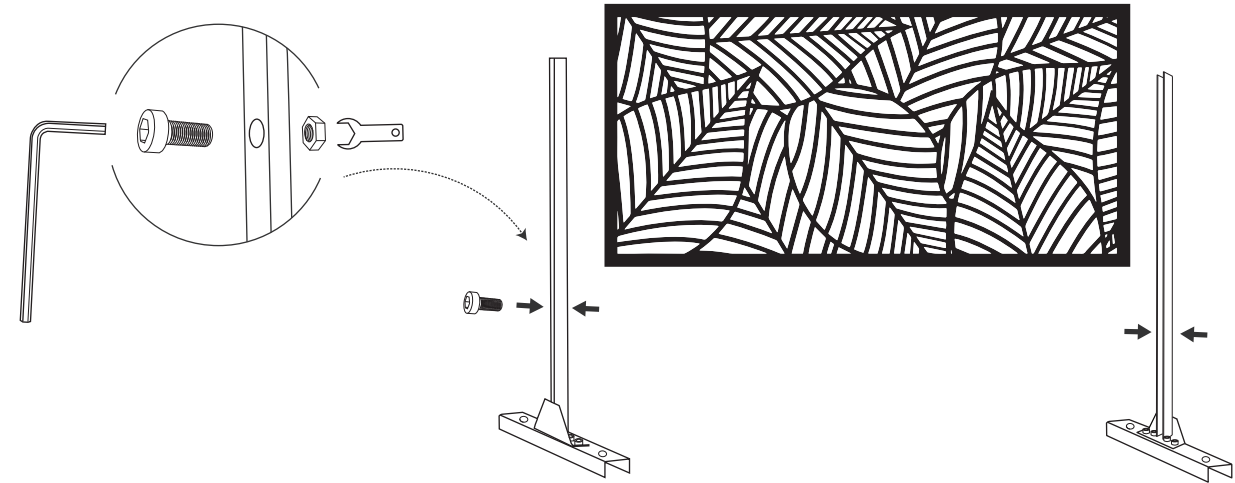
Use these ground pegs to secure the metal privacy screen in the soil

Single Panel Installation

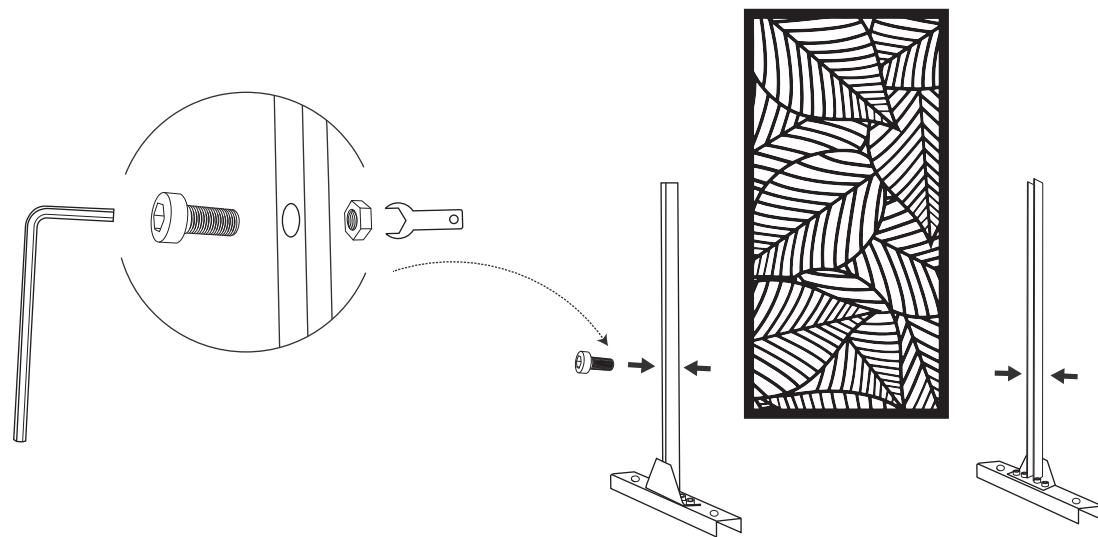
1.



3.



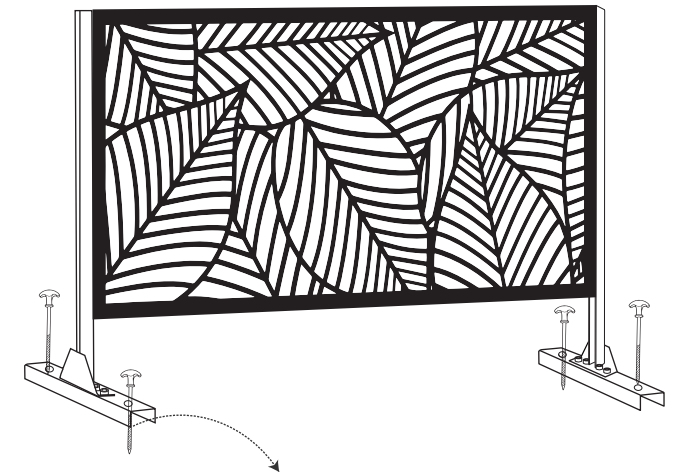
2.



7.



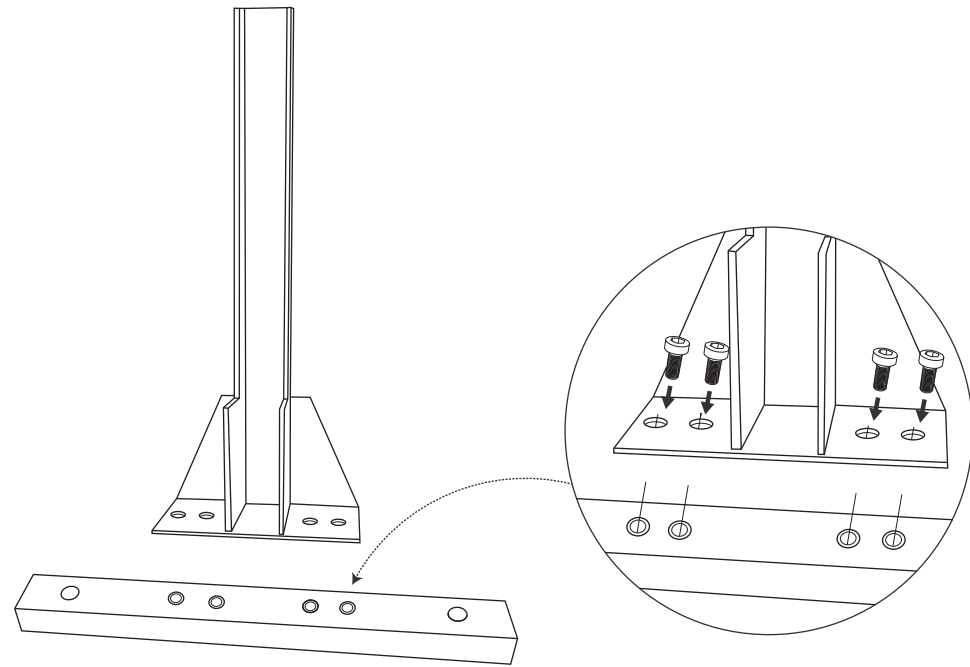
8.



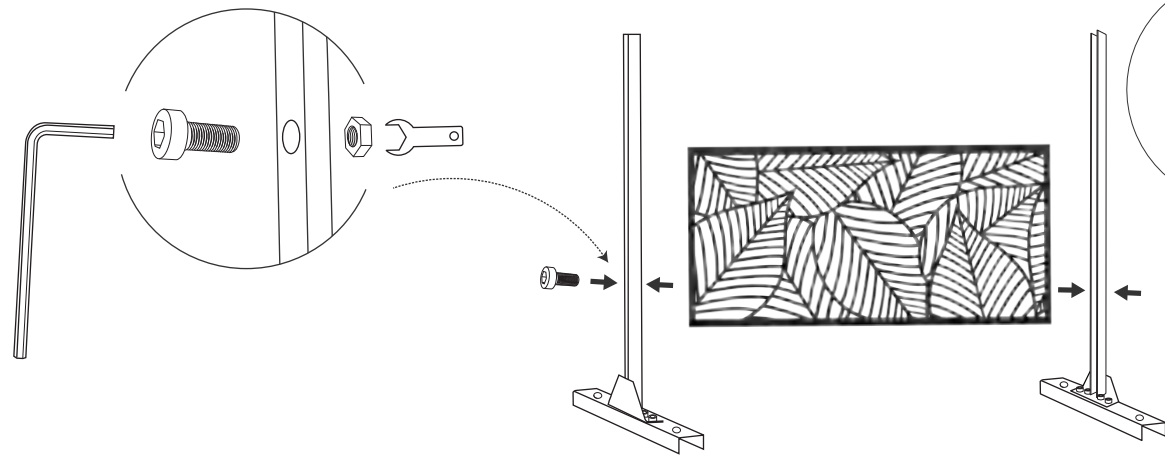
Use these ground pegs to secure the metal privacy screen in the soil

Horizontally Install

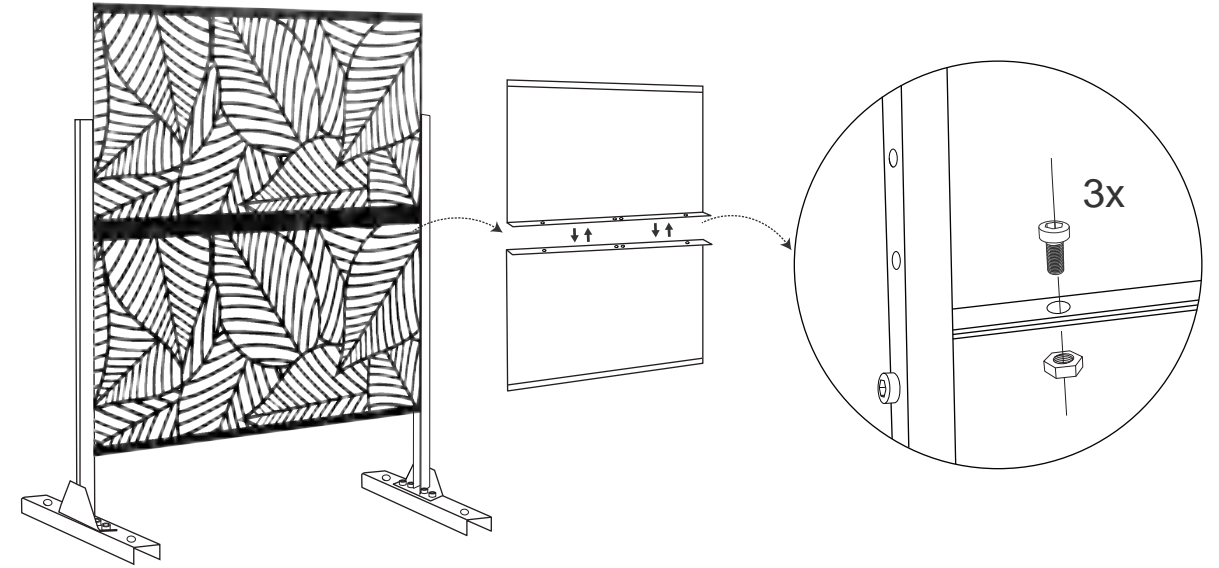
1.



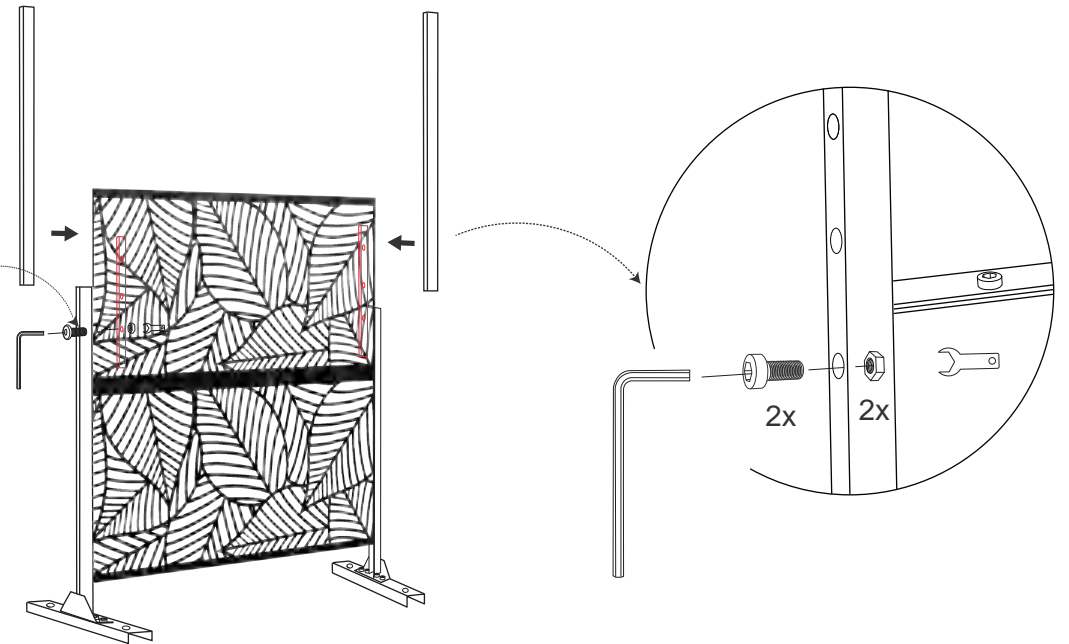
2.



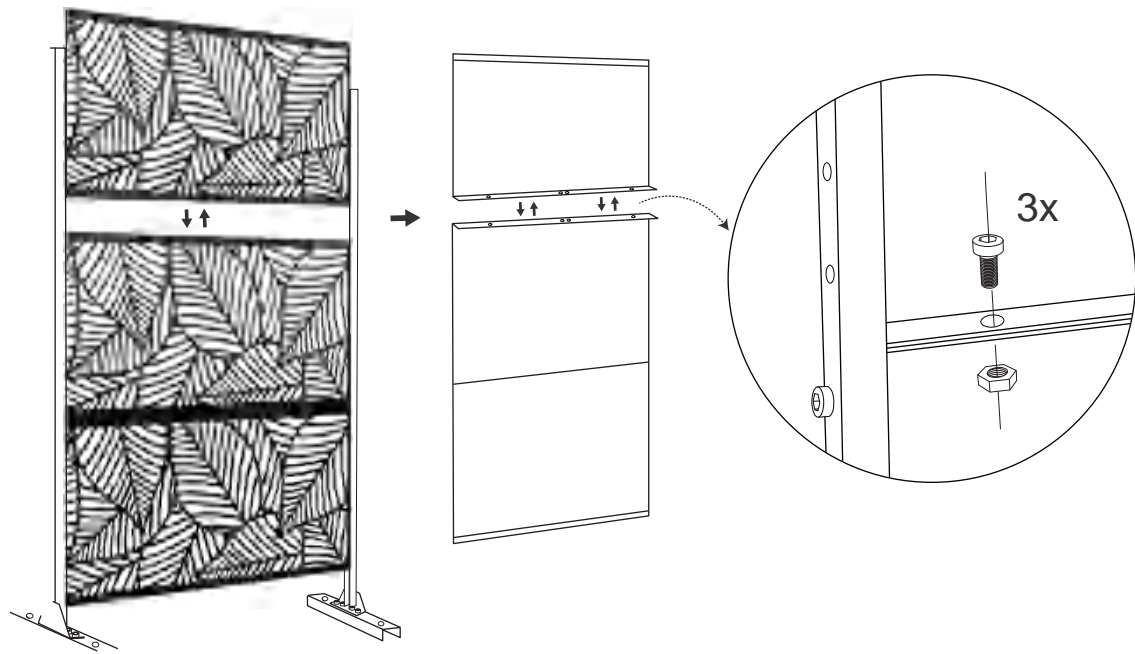
3.



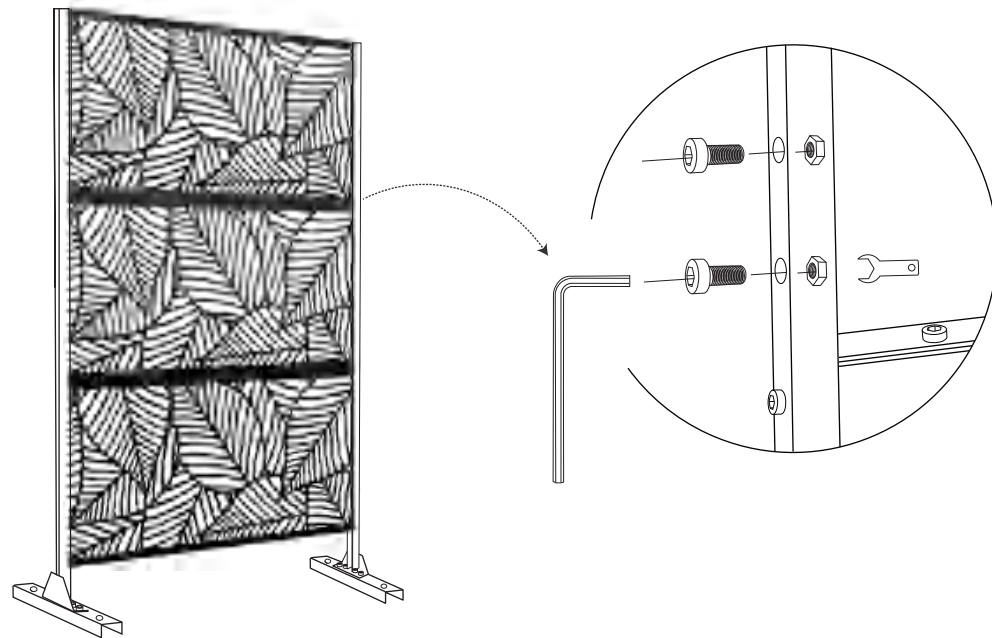
4.



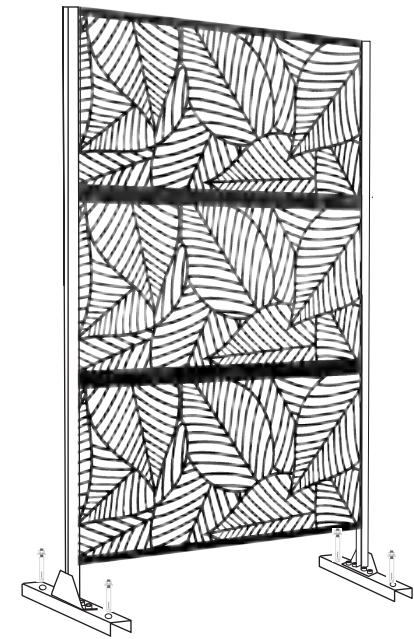
5.



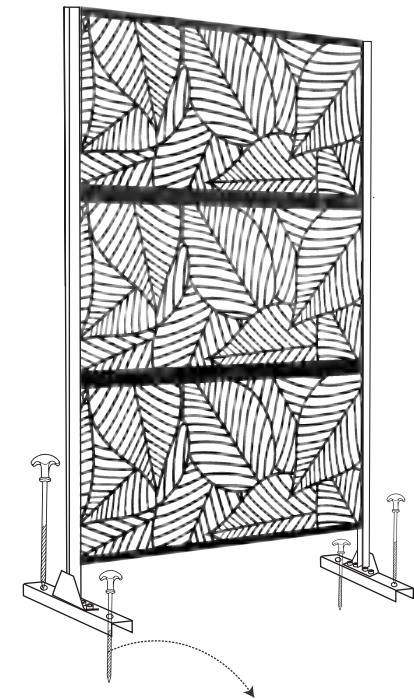
6.



7.



8.

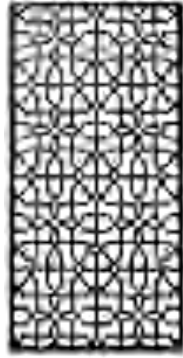


Use these ground pegs to secure the metal privacy screen in the soil

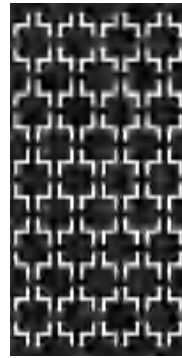
We have various choices of pattern for you:



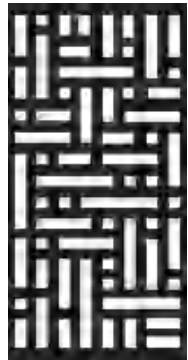
OS0001-Black



OS0002-Black



OS0003-Black



OS0004-Black



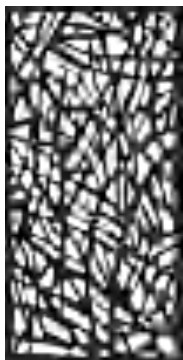
OS0005-Black



OS0006-Black



OS0007-Black



OS0008-Black