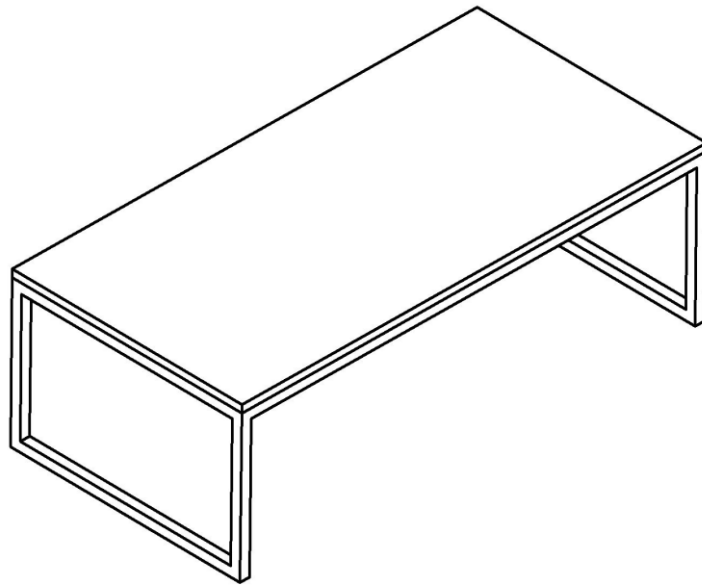


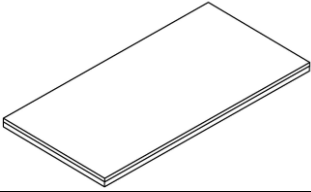
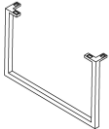
Assembly Instructions

Caution : You must read this before you proceed

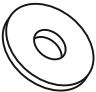
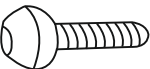

COFFEE TABLE



Parts List

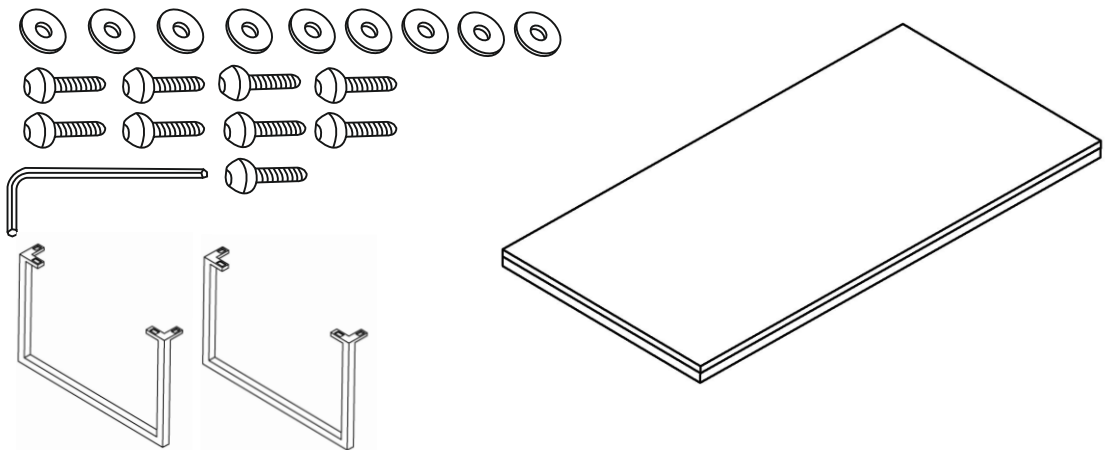
Label	Picture	Description	QTY
A		COUNTER TOP	1
B		LEG	2

Hardware

Label	Picture	Description	QTY
①		Washer (20mmx20mm)	9
②		Bolt (M15mmx35mm)	9
③		Allen key	1

Assembly Preparation

Before Beginning Assembly:



- Read instructions, cover to cover -



- Have 2 adults on hand for assembly -



- Do not assemble on flooring or carpet -



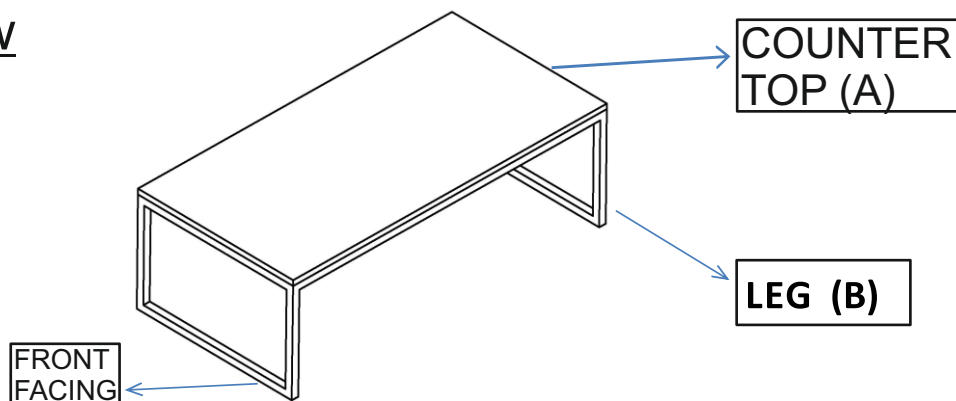
- Assemble on a clean non-marring surface (packing foam) -



- Save all packaging until finished -

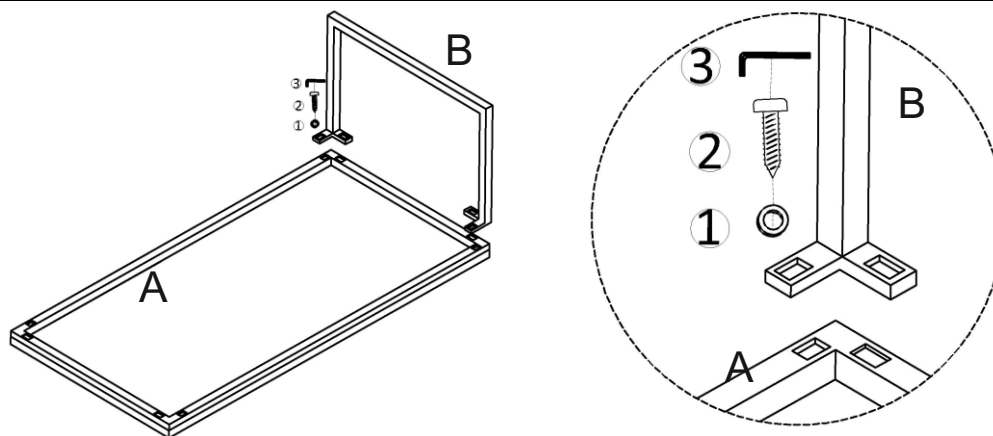
Assembly Steps

Overview



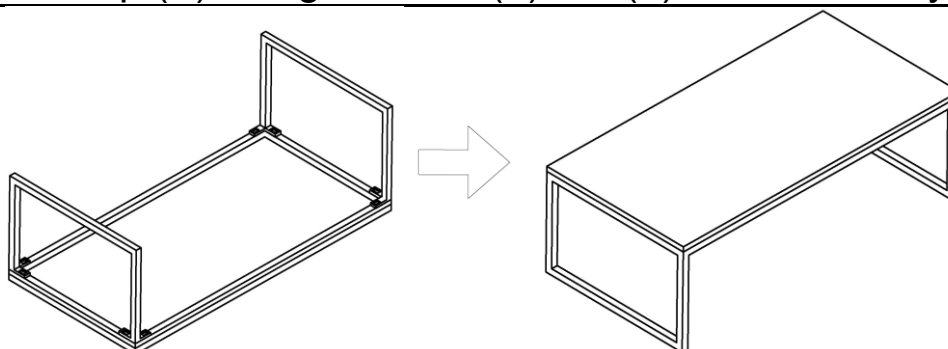
This Coffee Table has multiple parts and may require up to some 30 minutes assemble. The above picture is to help you in putting various parts in to perspective . Please read through the instruction below to familiarise yourself with the parts and steps before assembly.

Step 1



With assistance from your adult partner, place the Counter Top (A) face down as picture, on clean, surface. As shown in "Step1" picture attach Leg (B) to Counter top (A) using Washer (①), Bolt(②) with Allen Key (③).












Step 2



Repeat "Step1" to assemble the other Leg (B) to Counter top (A). Upon assembly of all the Legs (B), flip the Cabinet ,as shown in "Step2". This Coffee Table is now ready to use.

Caution : This Coffee Table can only be used on flat, level surface.

Care And Maintenance

- ✓  Furniture may scratch floors. We recommend using furniture pads to protect your floors.
 - ⊗  Do not put hot items directly on furniture surface.
 - ⊗  Do not clean furniture with harsh cleansers or polish.
 - ⊗  Do not place furniture under direct sunlight.
 - ⊗  Do not place furniture near heating or cooling vents.
 - ⊗  Do not write on furniture without a padded barrier to protect the surface.
 - ⊗  Do not place furniture outside . For indoor use only.
 - ⊗  Not for commercial use . For residential use only.
 - ⊗  Stains may be removed with mild soap solution and damp cloth.
 - ⊗  Children should not climb or jump on the furniture.
- ✓  Dust and pick-up spills using a clean, non-colored lint-free cloth.