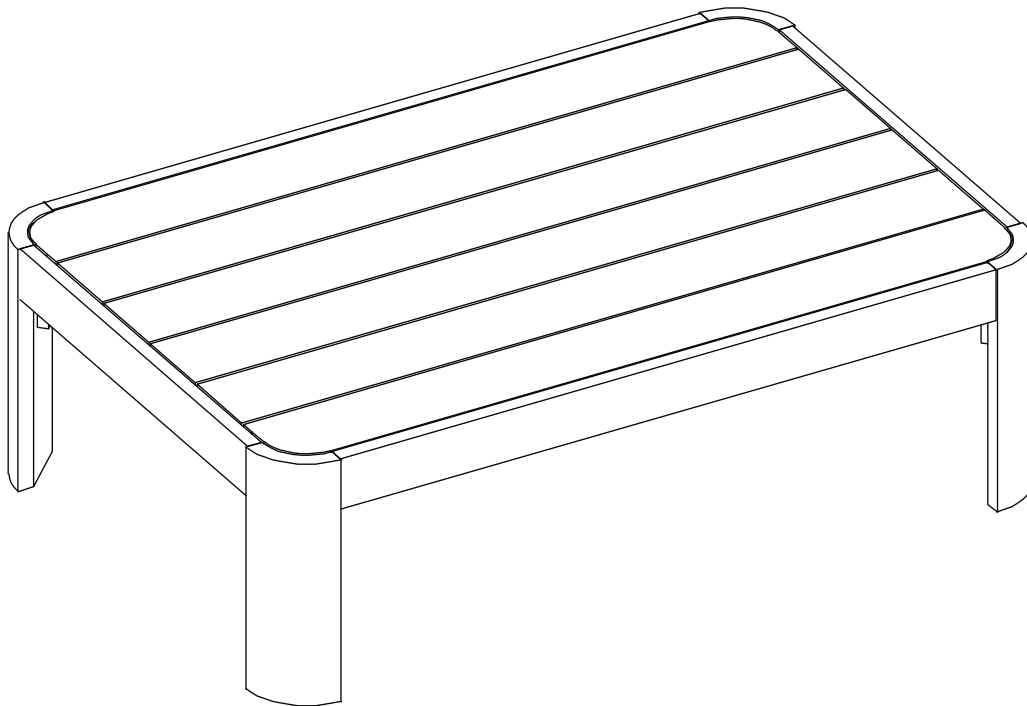


LEILANI TEAK COFFEE TABLE

DESIGN # CPT1079

Assembly Instructions



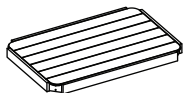
SAFAVIEH
C O U T U R E

Thanks for bringing Safavieh Couture into Your home

Every thing we make is incredibly simple to set up, including your new coffee table. You won't need any additional tools.

Parts List

A x 1
Table Top



B x 4
Legs



Hardware List

HW1 x 8

Allen Bolt: M8x0.5x 50 mm



HW2 x 8

Spring Washer: 8.5 x 14/8.5 x2 mm



HW3 x 8

Flat Washer : 8.5 x 20/8.5 x2 mm

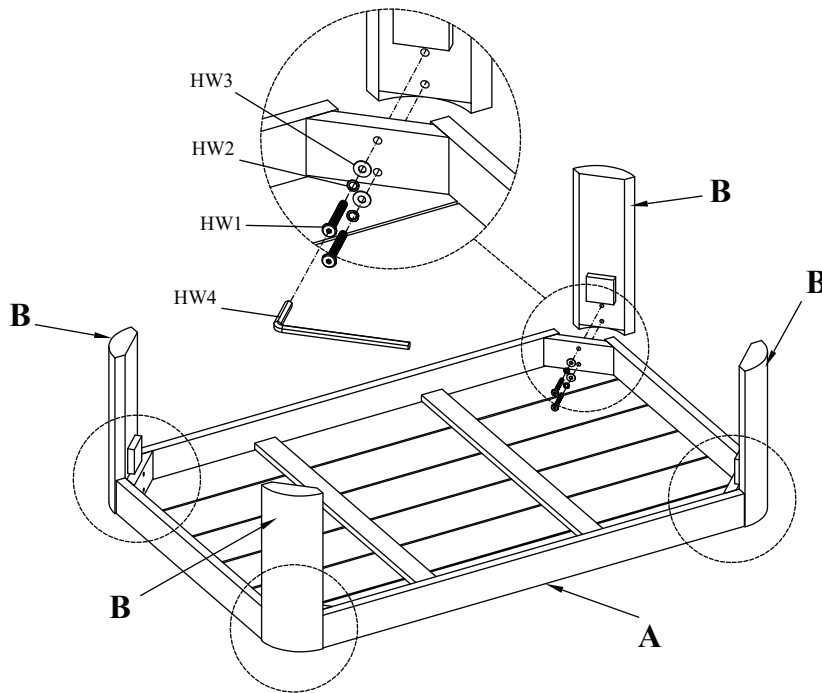


HW4 x 1
Allen key



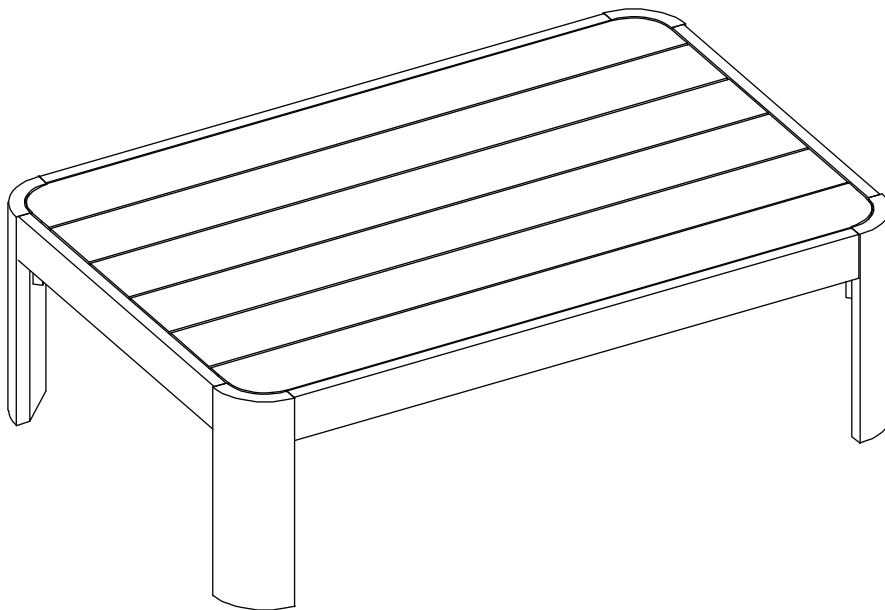
1

Place the Table Top (A) upside down on a soft and clean surface. Align the screw holes on the top of the Legs (B) to the corners of the Table Top (A). Place the Spring Washers (HW2) and the Flat Washers (HW3) onto the Bolts (HW1) in the order shown below. Attach them together by using the Allen Key (HW4) to screw in the Bolts (HW1) with the washers on it.



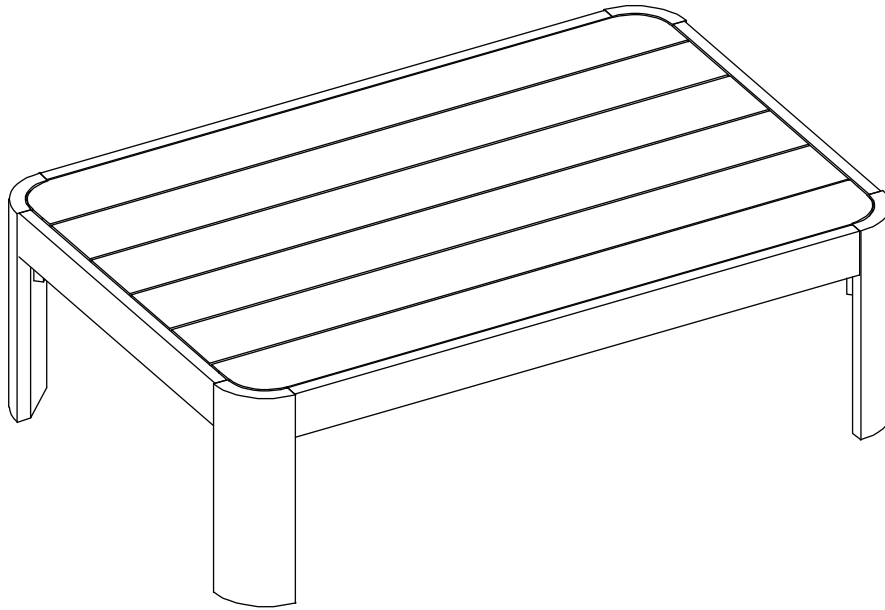
2

Turn the table upright. Check that the table sits evenly and doesn't wobble. Make sure all screws are fully tightened.



Place the coffee table in the place where you will use it. We'd love to see it – just tag us (we're @safavieh) and use the hashtag #safavieh on Instagram!

@safavieh



Need help?

Feel free to contact us via email or call
If you have any specific question!

Contact us:

CS@safavieh.com
866-422-9070