

CARE AND MAINTENANCE

Store outdoor furniture indoors or cover well when not in use.

Remove wooden furniture from standing water. Dust regularly with small brush or vacuum

Spills should be taken care of immediately before they harden or stain with a slightly dampened sponge.

NOTICE

- * Please make sure that you have all parts indicated before you begin assembly of this item
- * This item should be assembled on a soft surface to prevent scratching the finish during assembly
- * This item may require periodic tightening

Weight Capacity : 40 lbs



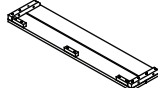
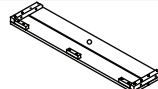
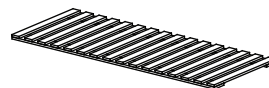
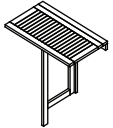




Warning : Do not stand on table

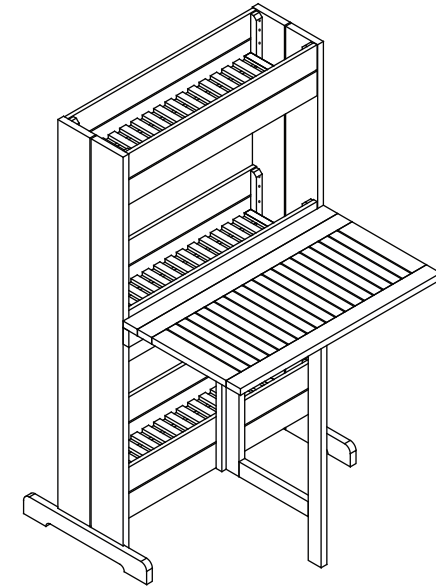
Warning : Do not over torque bolts / screws



Product Dimensions: 29.21" W x 28.81" D x 48.62" H

Part List and Hardware List

PIECE	DESCRIPTION	PICTURE	QUANTITY
A	Bottom leg		2X
B	Leg frame		2X
C	Frame box flowers		5X
C1	Frame box flowers		1X
D	Bottom panel		3X
E	Table		1X
F	Screw -1	 M6X30	28X
G	Screw -1	 M6X50	2X
H	Bolt	 M6X25	1X
K	Allen key	 LG 4	1X



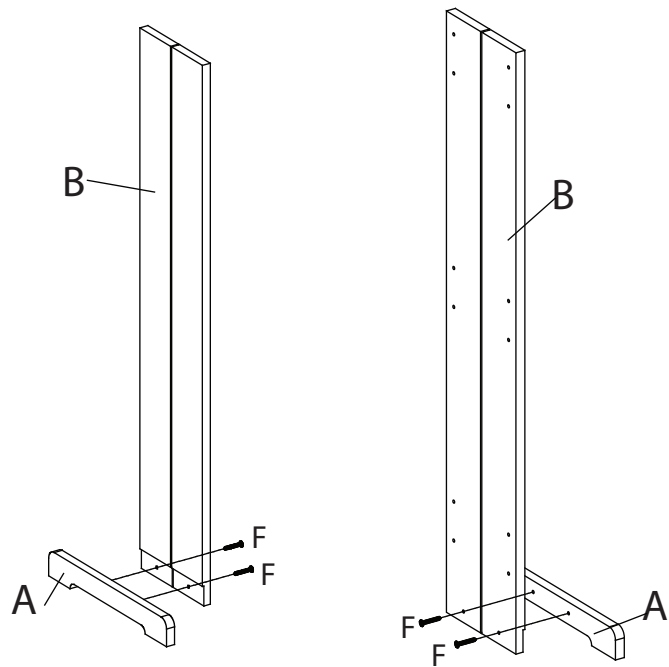
PREPARATION

Before beginning assembly of product, make sure all parts are present. Compare parts with package contents list and hardware contents list. If any part is missing or damaged, do not attempt to assemble the product.

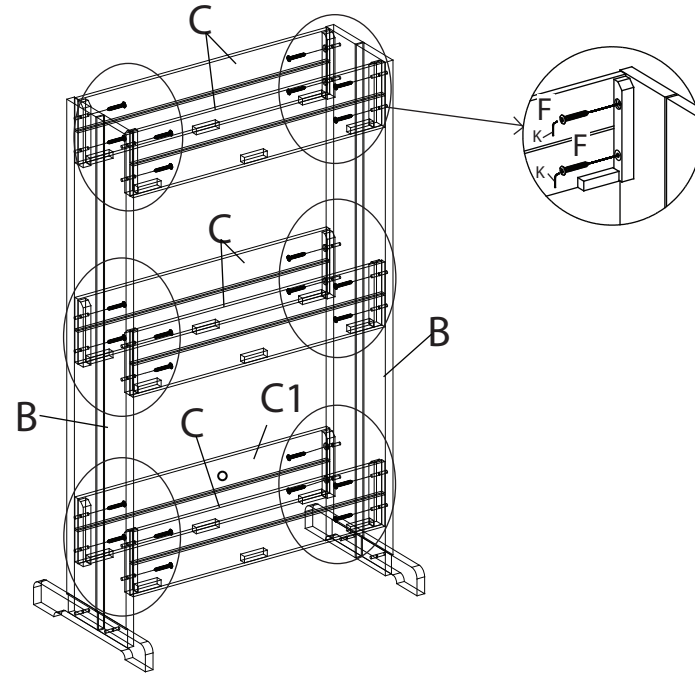
Estimated Assembly Time: 10 minutes.

Tools Required for Assembly (included): Allen Key

1



2



Step 1

Attach leg frame (B) to Bottom leg (A) ,use screws-1 (F),tighten with allen key(K).

Step 2

Attach Frame box flowers (C),(C1) to leg frame (B),use screws-1 (F),tighten with allen key(K).

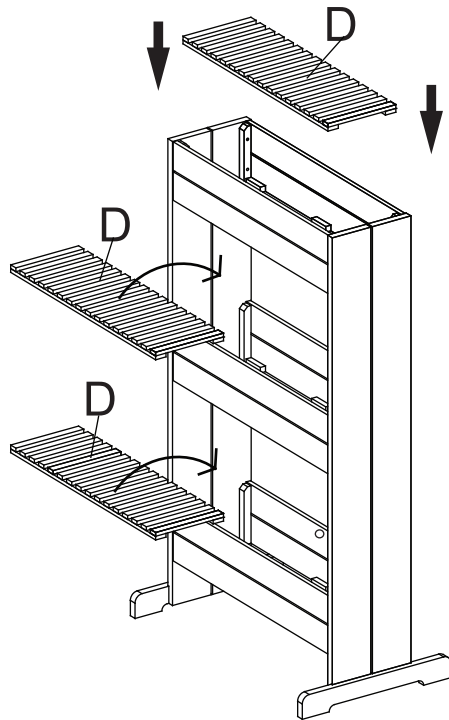
PREPARATION

Before beginning assembly of product, make sure all parts are present. Compare parts with package contents list and hardware contents list. If any part is missing or damaged, do not attempt to assemble the product.

Estimated Assembly Time: 10 minutes.

Tools Required for Assembly (included): Allen Key

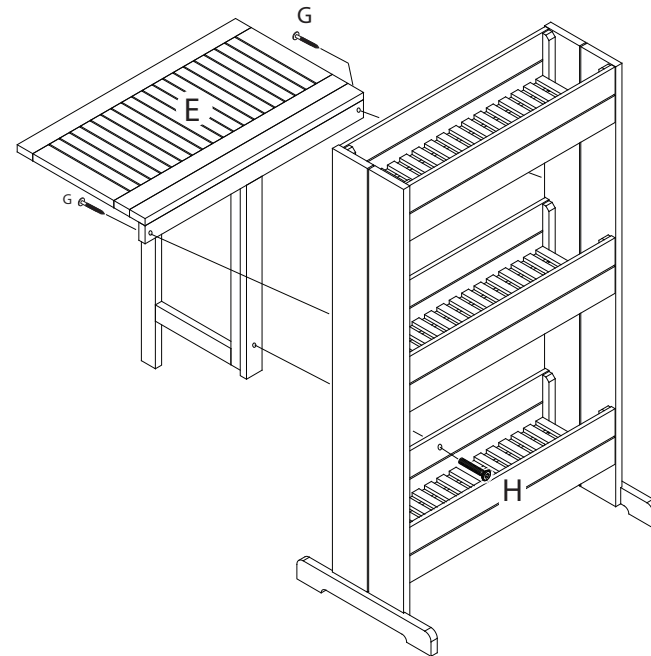
3



Step 3

(D) Pull down as the arrow

4



Step 4

Attach Table (E) to leg frame (B), use screws-1 (G), tighten allen key (K). Tighten Bolt (H) with allen key (K) to attach frame box flowers (C1) and leg short table

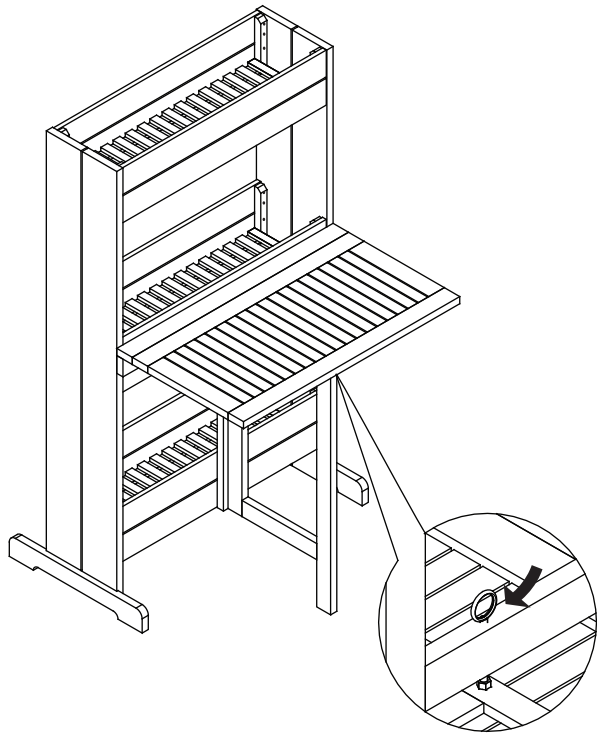
PREPARATION

Before beginning assembly of product, make sure all parts are present. Compare parts with package contents list and hardware contents list. If any part is missing or damaged, do not attempt to assemble the product.

Estimated Assembly Time: 10 minutes.

Tools Required for Assembly (included): Allen Key

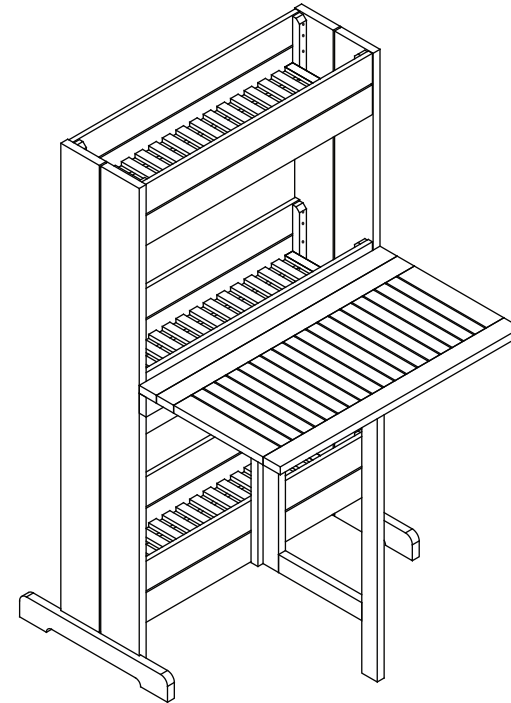
5



Step 3

Pull out support table and put them in clocks.

6



Step 4

Barley flower shelf is ready to be used