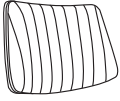
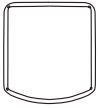
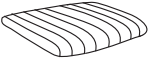
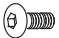




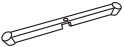

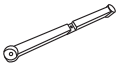


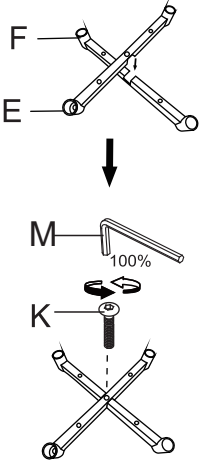


PARTS LIST

A*1 	H*1 
B*1 	I*8  M6*16mm
C*1 	J*12  M6*22mm
D*1 	K*1  M6*30mm
E*1 	L*4  M8*16mm
F*1 	M*1 
G*4 	

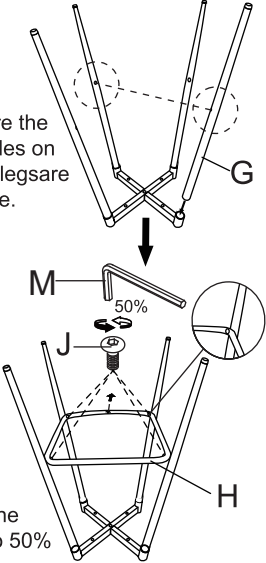
ASSEMBLE INSTRUCTION

①



Tighten the screws to 100%

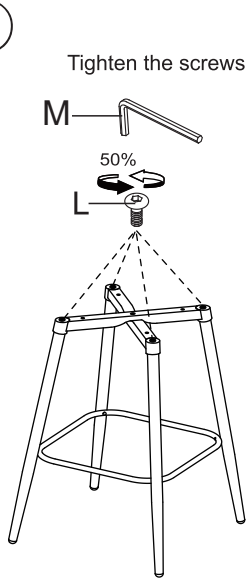
②



Make sure the screw holes on opposite legs are in one line.

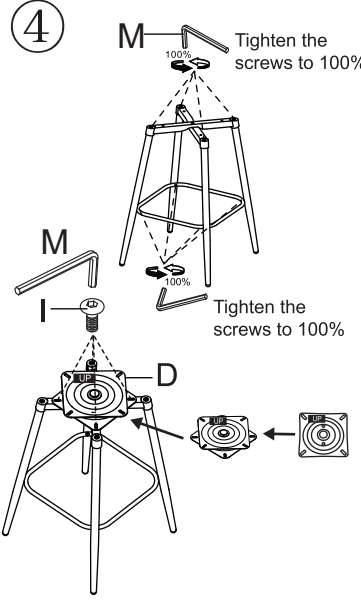
Tighten the screws to 50%

③



Tighten the screws to 50%

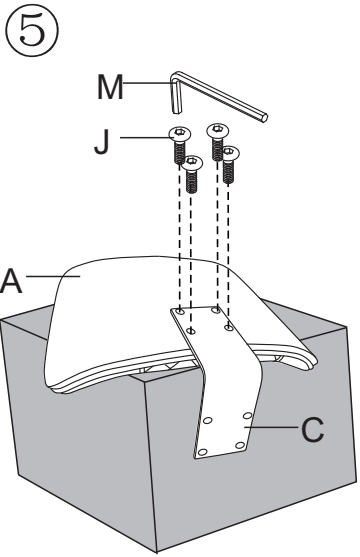
④



Tighten the screws to 100%

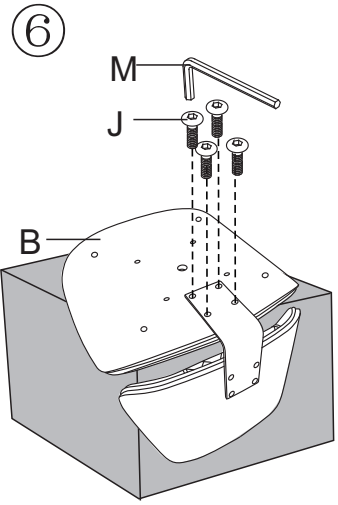
Tighten the screws to 100%

⑤



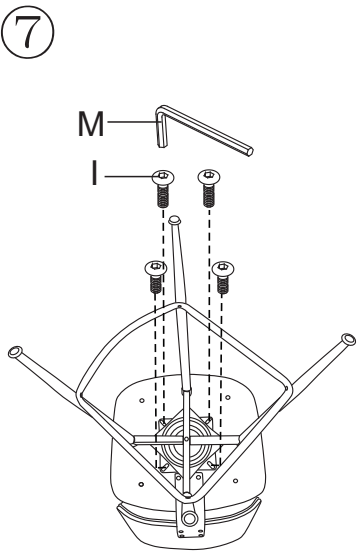
Tighten the screws to 100%

⑥



Tighten the screws to 100%

⑦



Tighten the screws to 100%

⑧

