

Collection	Scottsdale
Material	Zinc alloy, stainless steel, lead-free waterways
Installation Type	Single hole
Configuration/Style	Commercial style pull down with retractable hose
Finish	Durable PVD, multi-plated, corrosion resistant
Overall Height	17 7/8"
Overall Spout Reach	8 3/4"
Overall Spout Height	6 7/8" or 6 1/2"
Max. Deck Thickness	2 3/8"
Handle Rotation	90° forward
Sprayhead function	Sprayer 1 - 3 Function - Spray, Stream and Focused Sprayer 2 - 5 Function - Stream, Focus spray, Dense spray, Max and Pause
Water Flow	Sprayer 1 - 1.8 GPM, Sprayer 2 - ≤ 2.2 GPM (Max and Pause)
Spout Swivel	360°
Spout	High arc
Cartridge	Ceramic, 1.5 million cycles
Aerator	High-efficiency, anti-clogging
Sprayhead Nozzles	Rubber
What's Included	Extra sprayhead, mounting hardware, hot and cold water lines
Hose	26 1/2" nylon braided hose

Shown in Matte Black  
\* image shown with Sprayer 2 option



Sprayer options that come in the box

Applicable Functions	Sprayer option 1*	Sprayer option 2*
Revolve Max	<input type="checkbox"/>	<input checked="" type="checkbox"/>
Revolve Mini	<input checked="" type="checkbox"/>	<input type="checkbox"/>
Max Flow button (≤ 2.2gmp)	<input type="checkbox"/>	<input checked="" type="checkbox"/>
Pause button	<input type="checkbox"/>	<input checked="" type="checkbox"/>
Easy to remove and clean aerator	<input checked="" type="checkbox"/>	<input checked="" type="checkbox"/>
3 function sprayer	<input checked="" type="checkbox"/>	<input type="checkbox"/>
5 function sprayer	<input type="checkbox"/>	<input checked="" type="checkbox"/>

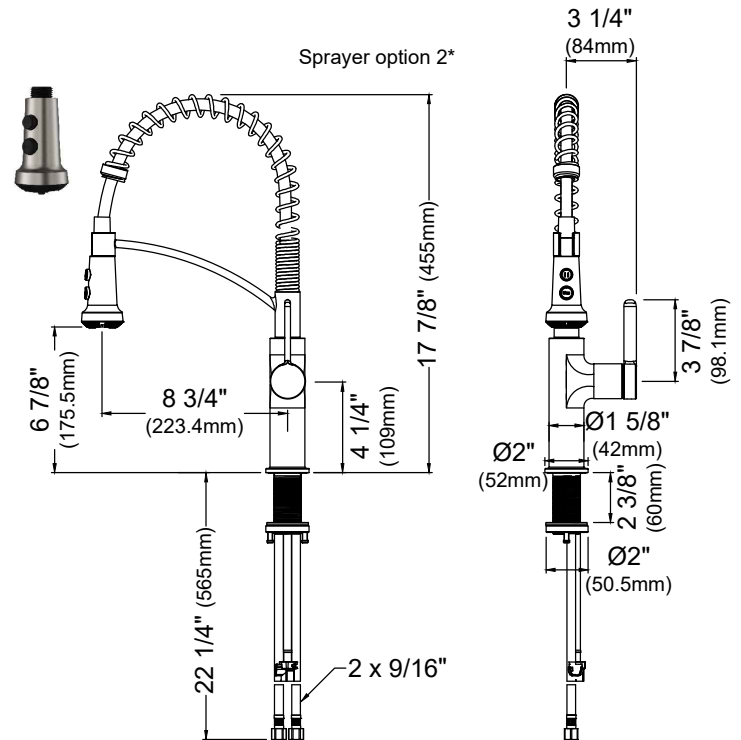
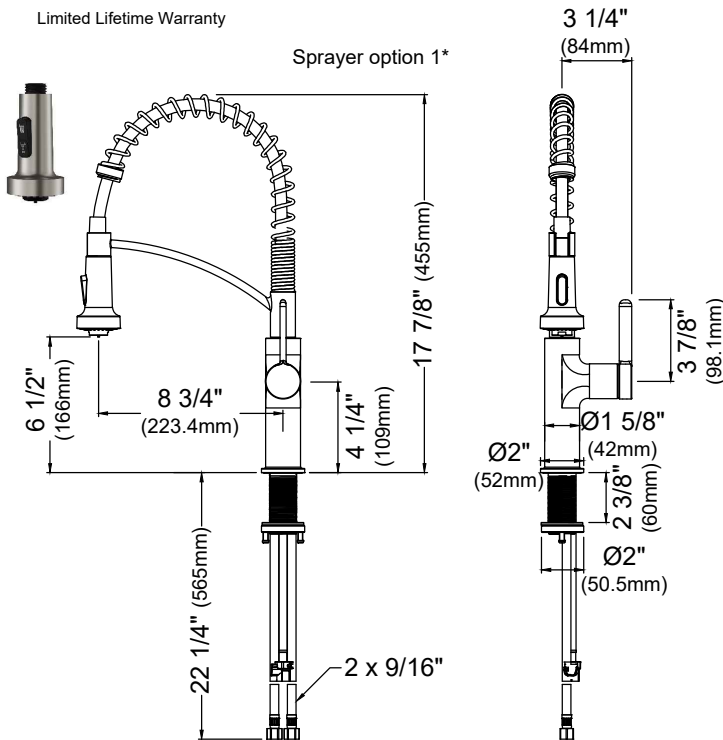
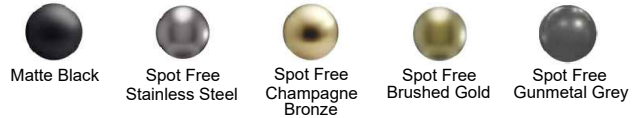
\*Karran provides 2 sprayers with this model. Both have separate functions for customer's preference.

Listing and certifications:  
ASME A112.18.1/CSA B125.1  
ADA compliant

Limited Lifetime Warranty

Finishes Available

MODEL	FINISH
KKF740MB	Matte Black
KKF740SFSS	Spot Free Stainless Steel
KKF740SFCB	Spot Free Champagne Bronze
KKF740SFGG	Spot Free Gunmetal Grey
KKF740SFBG	Spot Free Brushed Gold



We reserve the right to update product specifications without notice. Please visit [karran.com](http://karran.com) for the most current specification sheets. All dimensions are accurate to 1/4". REV 04-2026