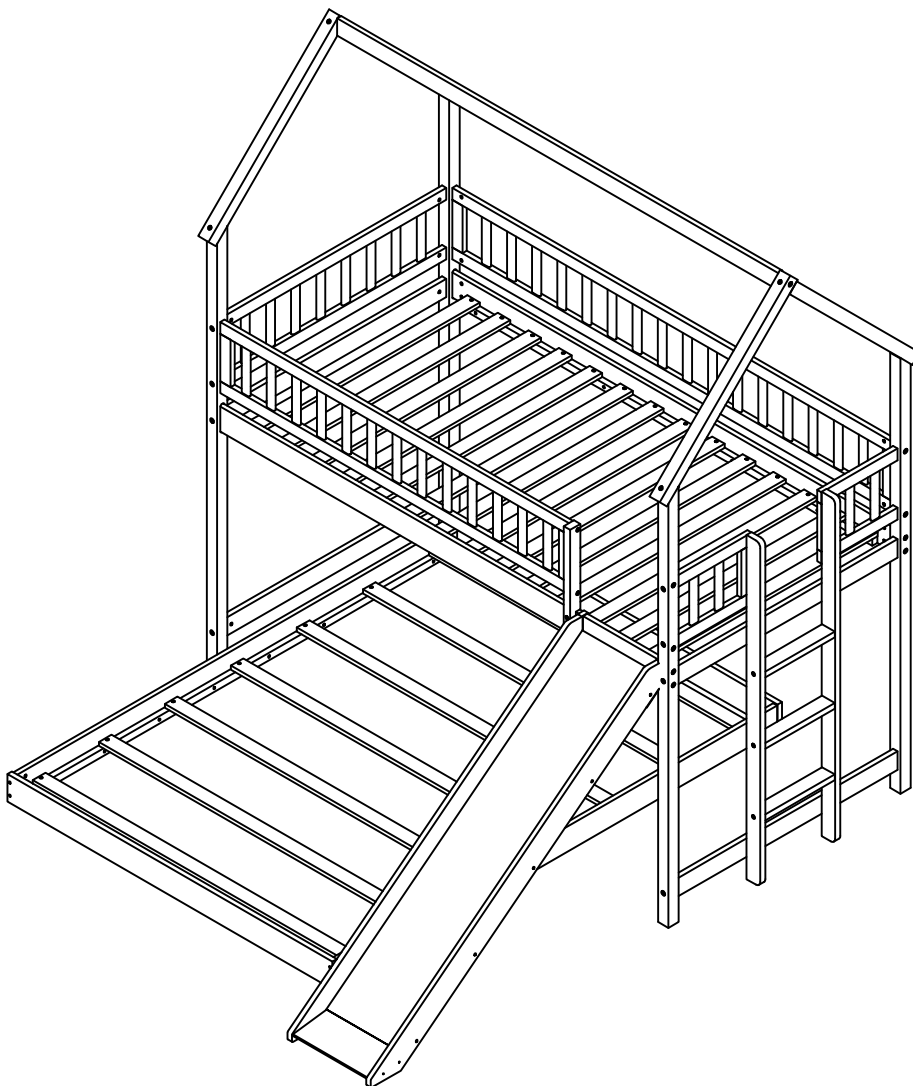


ASSEMBLY INSTRUCTIONS

HOUSE BED WITH SLIDE



SAFETY WARNINGS AND GENERAL NOTES:

Follow the information on the warnings on the bunk bed end structure and on the carton. Do not remove the warning label from the bed. Always use the recommended size mattress on mattress support, or both, to help prevent the likelihood of entrapment or falls.

The top surface of the mattress must be at least 5*inch (127mm) below the upper edge of the guardrail.

Do not allow children under 6 years of age to use the upper bunk.

Periodically check and ensure the guardrail, ladder and other components are in their proper position, free from damage, and all connectors are tight.

Do not allow horseplay on or under beds.

Always prohibit jumping on the bed.

Prohibit more than one person on upper bunk.

Always use the ladder for entering and leaving the upper bunk.

Do not use substitute parts. Contact the manufacturer or dealer for replacement parts.

Use of a night-light may provide added safety precaution for a child using the upper bunk.

Always use guardrails on both long sides of the upper bunk.

If the bunk bed will be placed next to a wall, the guardrail that runs the full length of the bed should be placed against the wall to prevent entrapment between the bed and the wall.

The use of water or sleep flotation mattresses is prohibited.

STRANGULATION HAZARD-Never attach or hang items to any part of the bunk bed that are not designed for use with the bed.

Keep these instructions for future reference.

We recommend assembling your bunk bed on the shipping carton to protect your floor or carpet.

Be certain all staples are out of the box before beginning assembly on the shipping carton.

THIS BED IS DESIGNED TO USE A TWIN MATTRESSES 38 1/2" WIDE X 74"-75" LONG WITH THE TOTAL THICKNESS NOT EXCEEDING 6" FOR UPPER BUNK, FOR THE LOWER FULL-SIZE SHOULD BE 54" WIDE X 74"-75" LONG, WIDE WITH 8" THICKNESS.

SURFACE OF MATTRESS MUST BE AT LEAST 5" (127MM) BELOW THE UPPER EDGE OF GUARDRAILS.

Replacement Parts:

Replacement Parts, including additional guardrails, may be obtained from any of our dealers



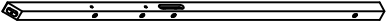

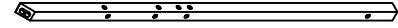
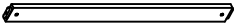
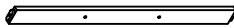

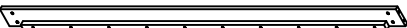


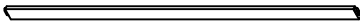


SAFETY WARNING

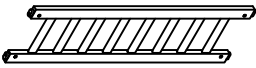
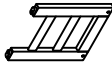
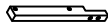
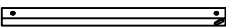
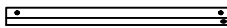
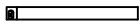
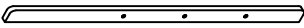
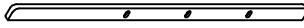
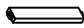




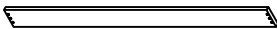



1. At the beginning :
 - Tighten all hardware.
 - Check metal parts for rust. If found, sand and repaint using a non-lead-based paint meeting the requirements of 16 CFR 1303.
 - Check all wood members for deterioration and splinters. Sand down splinters and replace deteriorating wood members.
 - Rake and check depth of loose fill protective surfacing materials to prevent compaction and to maintain appropriate depth. Replace as necessary.
2. Twice a month :
 - Tighten all hardware.
 - Rake and check depth of loose fill protective surfacing materials to prevent compaction and to maintain appropriate depth. Replace as necessary.
3. Owners shall be responsible for maintaining the legibility of the warning labels.
4. Disposal Instructions
 - There shall be instructions advising the owner to disassemble and dispose of the playground equipment in such a way that no unreasonable hazards will exist at the time the playground equipment is discarded.
5. The instruction shall also include the information found in Section 4 of the United States Consumer Product Safety Commission's (USCPSC) Outdoor Home Playground Safety Handbook or specific surfacing guidelines for the product consistent with the USCPSC Handbook. A copy of this section may be found in Appendix X2.
6. Observing the following statements and warnings reduces the like lihood of serious or fatal injury.
7. Specifying the number and weight of occupants that may safely use the equipment singly or simultaneously.
8. Recommending on-site adult supervision for children of all ages.
9. Warning the owner to instruct children not to use the equipment in a manner other than intended.
10. Warning the owner to instruct children not to get off equipment while it is in motion.
11. Warning the owner to allow children to wear inappropriate items, such as but not limited to, loose fitting clothing, hood and neck drawstrings, scarves, cord-connected items, capes and ponchos. These items can cause death by strangulation.
12. Warning the owner to instruct children not to climb when the equipment is wet.
13. Warning the owner to instruct children not to attach items to the playground equipment that are not specifically designed for use with the equipment, such as, but not limited to, jump ropes, clothesline, pet leashes, cables and chain as they may cause a strangulation hazard.
14. Warning the owner to instruct children to remove their bike or other sports helmet before playing on the playground equipment.
15. Warning the owner to dress children with well-fitting and full foot enclosing footwear. Examples of inappropriate footwear are clogs, flip flops, and sandals.
16. Place the equipment on level ground, not less than 6 ft (1.8 m) from any structure or obstruction such as a fence, garage, house, overhanging branches, laundry lines, or electrical wires.
17. Do not install home playground equipment over concrete, asphalt, packed earth, grass, carpet, or any other hard surface. A fall onto a hard surface can result in serious injury or death to the equipment user
18. To prevent serious injury, cautionary statements shall be included which warn that children must not use the equipment until properly installed.

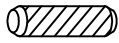

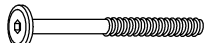
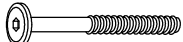










Part List

Hardware List

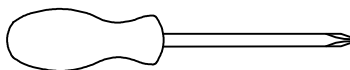
A  Leg (Left Front/Right Back) - 1pc	B  Leg (Left Back) - 1pc	C  Leg (Right Front) - 1pc
E  Horizontal bar HB - 2pcs	F  Horizontal bar FB - 2pcs	H  Upper side rail (front) - 1pc
I  Upper side rail (back) - 1pc	J  Frame guard rail (Back) - 1pc	K  Frame guard rail (Front) - 1pc
O  Upper horizontal bar - 1pc	R  Lower side rail - 2pcs	T  Upper slat - 14pcs

D  Frame HB - 1pc	G  Frame FB - 2pcs	L  Support guard rail (Right) - 1pc
M  Upper (Left Front) - 1pc	M1  Upper (Right Front) - 1pc	N  Upper (Back) - 2pcs
P  Left side ladder - 1pc	P1  Right side ladder - 1pc	P2  Step ladder - 3pcs
Q  Left side ladder - 1pc	Q1  Right side ladder - 1pc	Q2  Slide panel - 1pc
Q3  Slide base support - 1pc	S  Lower horizontal bar - 2pcs	U  Lower slat - 7pcs

Hardware List

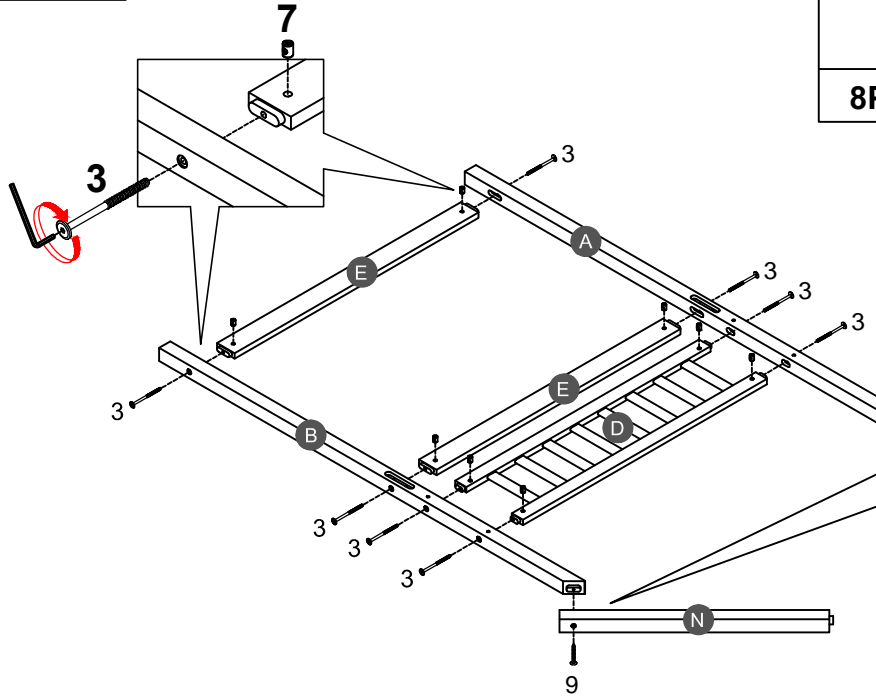
1  Ø8*30mm Wood dowel (4pcs)	2  (Ø15)1/4"*100mm Hex-Head bolts (16pcs)	3  (Ø15)1/4"*80mm Hex-Head bolts (26pcs)
4  (Ø12)1/4"*60mm Hex-Head bolts (6pcs)	5  (Ø12)1/4"*40mm Hex-Head bolts (10pcs)	6  (Ø12)1/4"*35mm Hex-Head bolts (2pcs)
7  1/4"*15 (9.5mm) Horizontal-Hole bolts(48pcs)	8  Ø4*30mm Wood screws (46pcs)	9  (Ø12)1/4"*65mm Hex-Head bolts (6pcs)
10  (Ø12)1/4"*50mm Hex-Head bolts (14pcs)	11  Ø1/4"*14mm Flat washer (14pcs)	12  Ø13"*3mm Spring Washer (14pcs)
13  (1/4")4.5*58mm Allen key (1pc)	14  142*18*2mm Hooks (2pcs)	

ASSEMBLY TOOLS REQUIRED (NOT INCLUDED)

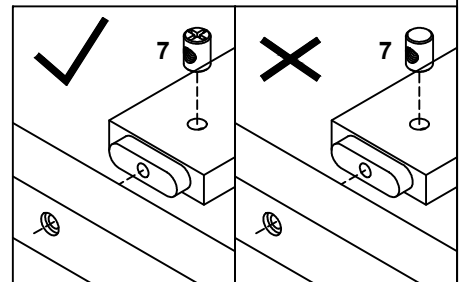
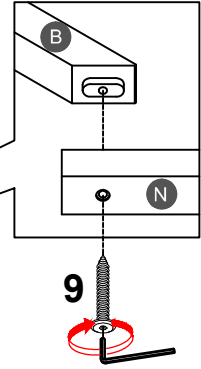


PLEASE BE CAREFUL DO NOT DAMAGE THE HOLE POSITION WHEN YOU USE POWER TOOLS !

STEP 1:

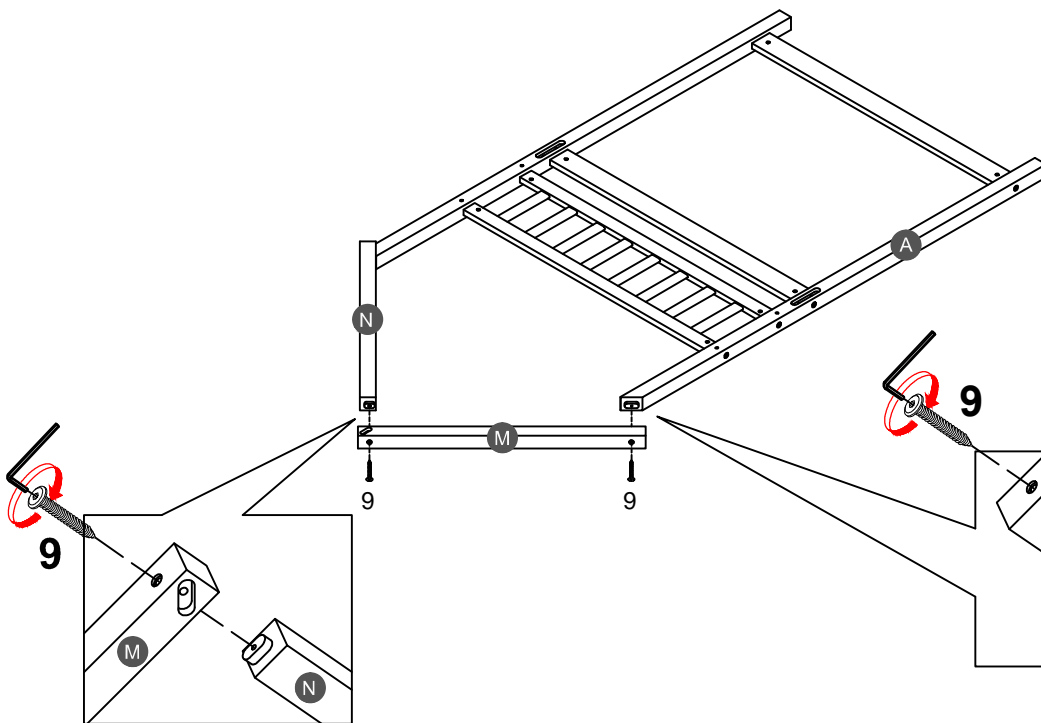


3		7		9	
8PCS		8PCS		1PC	





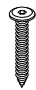
Note: Part 7 will face up with the "x" mark on it, otherwise it cannot be tightened

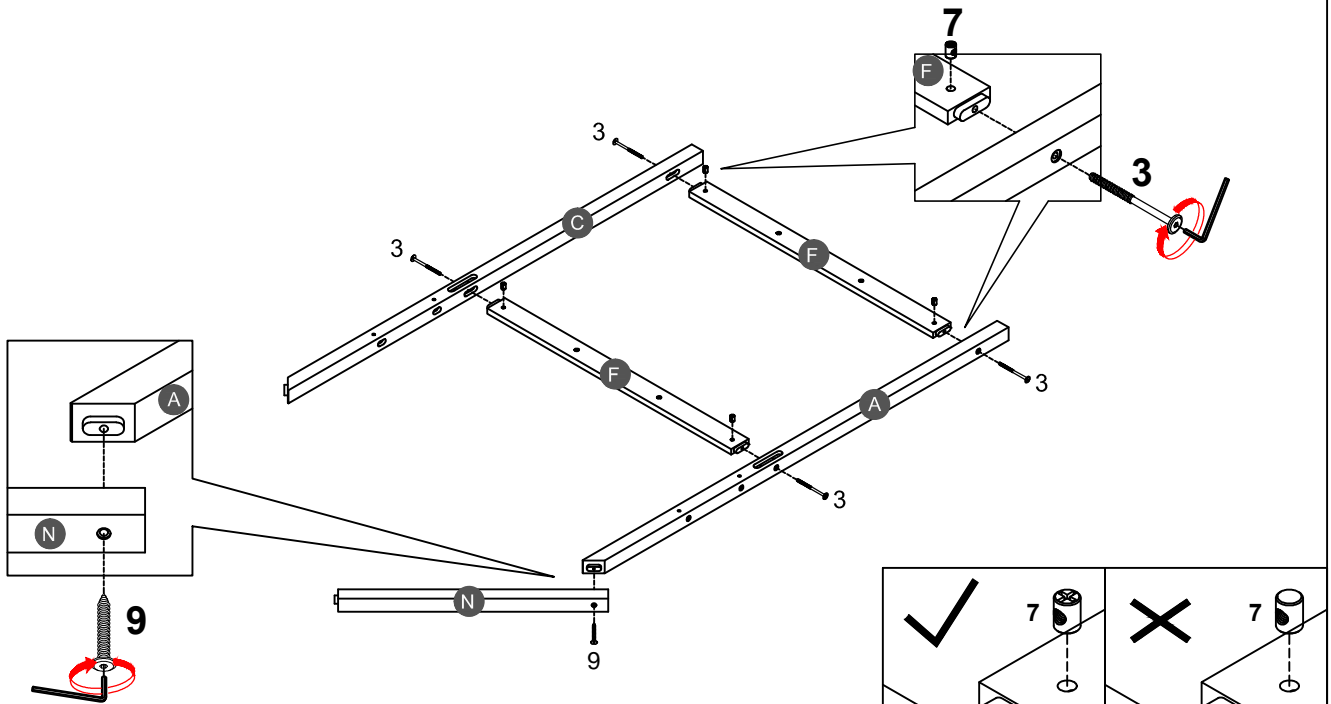
STEP 2:



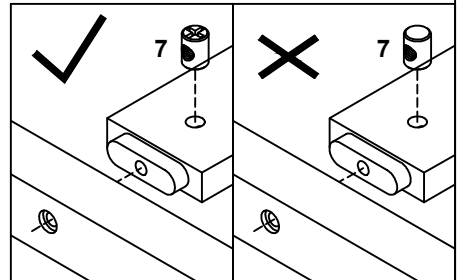
9	
2PCS	

STEP 3:

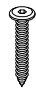
3		7		9	
4PCS		4PCS		1PC	

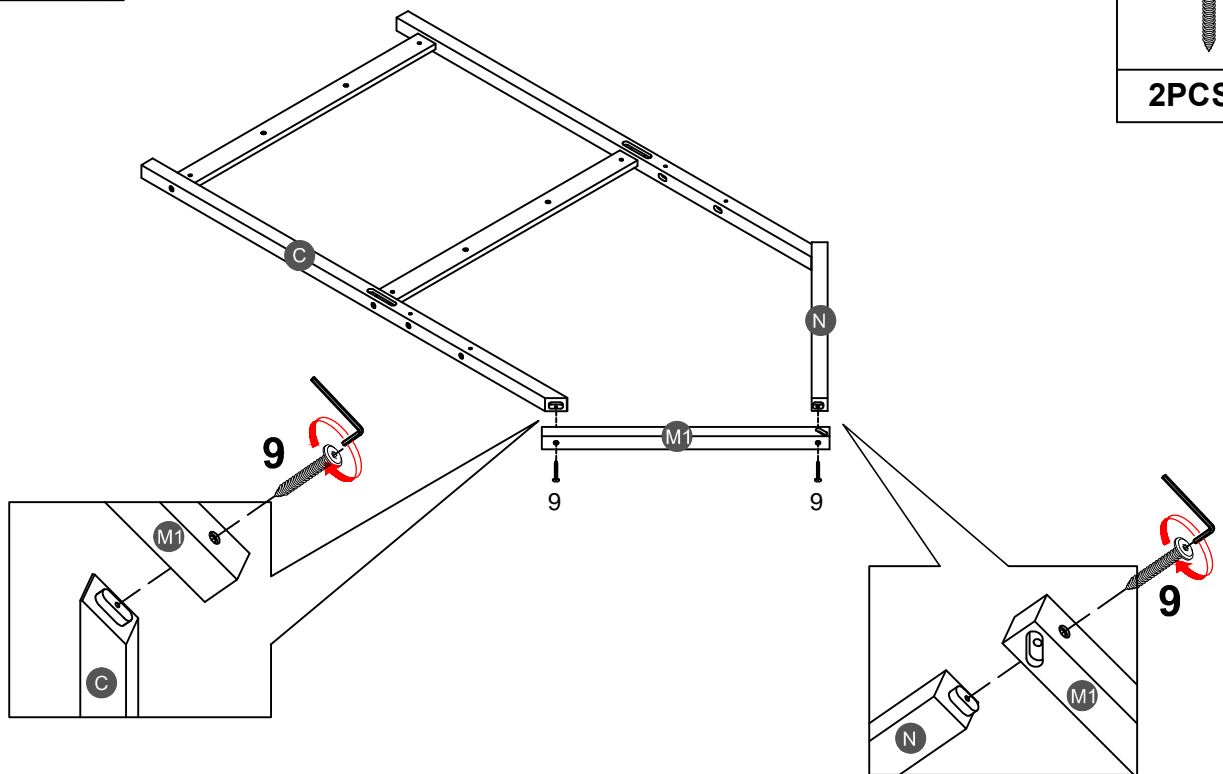


Note: Part 7 will face up with the "x" mark on it, otherwise it cannot be tightened



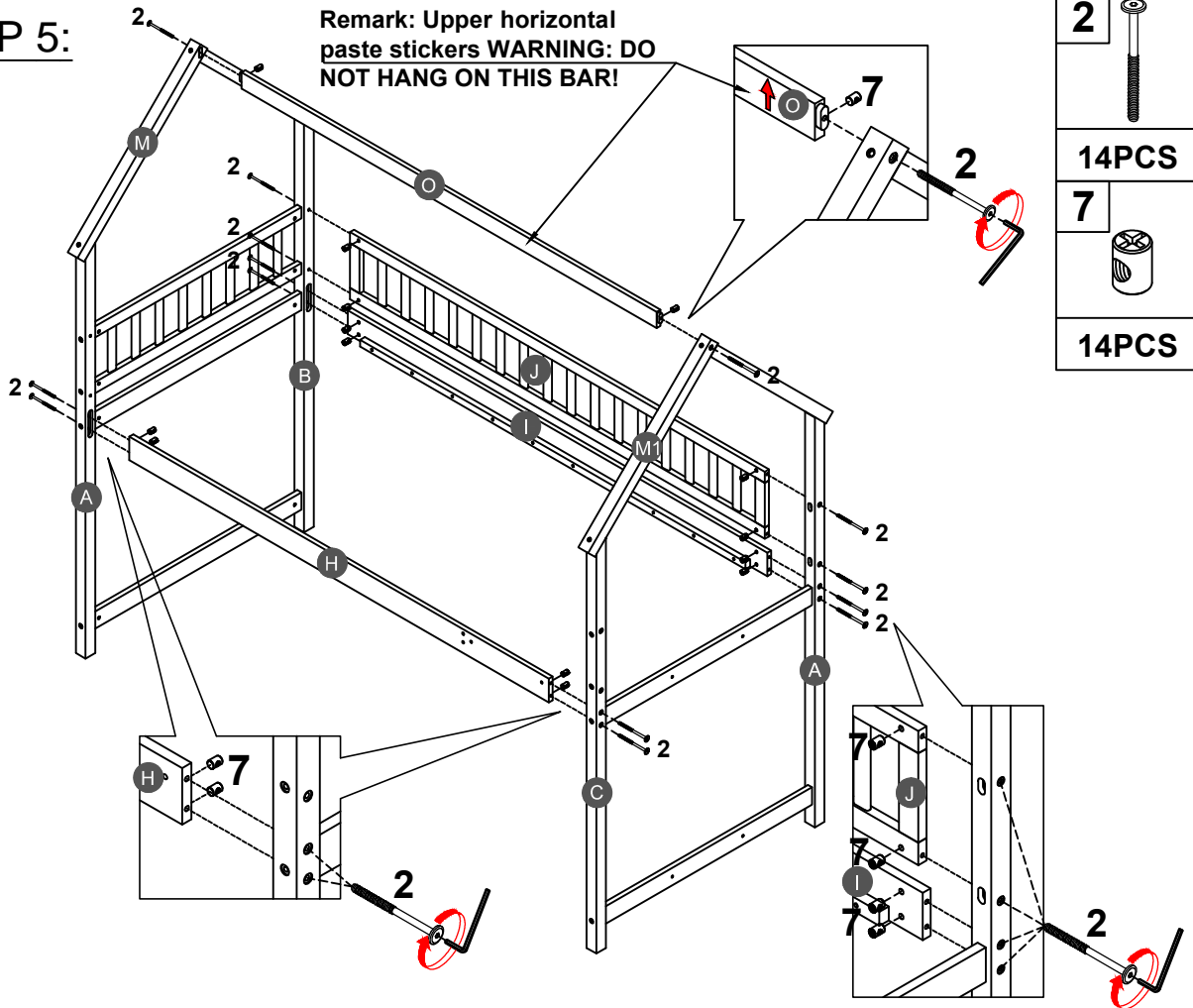
STEP 4:

9	
2PCS	



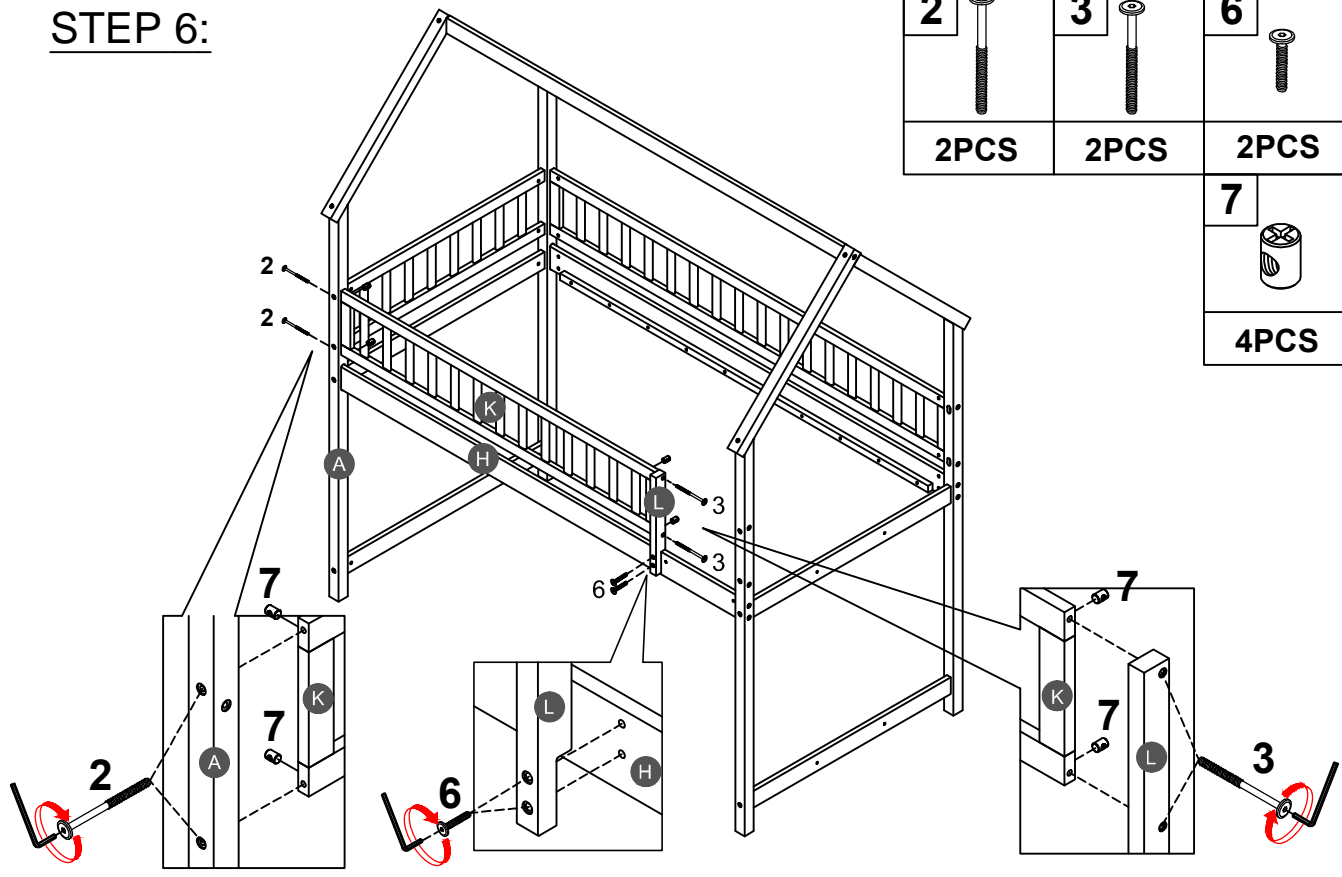
STEP 5:

Remark: Upper horizontal
paste stickers **WARNING: DO
NOT HANG ON THIS BAR!**





2	
14PCS	
7	
14PCS	

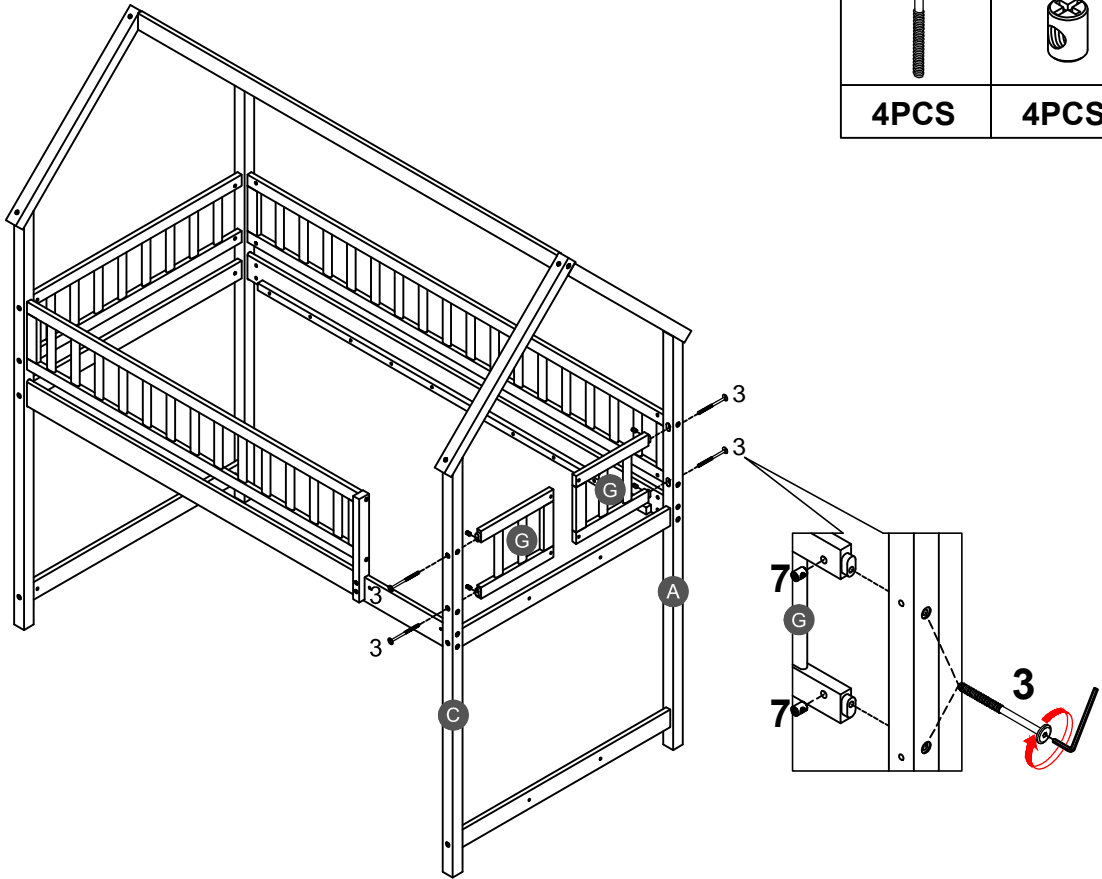
STEP 6:





2		3		6	
2PCS		2PCS		2PCS	
				7	
				4PCS	

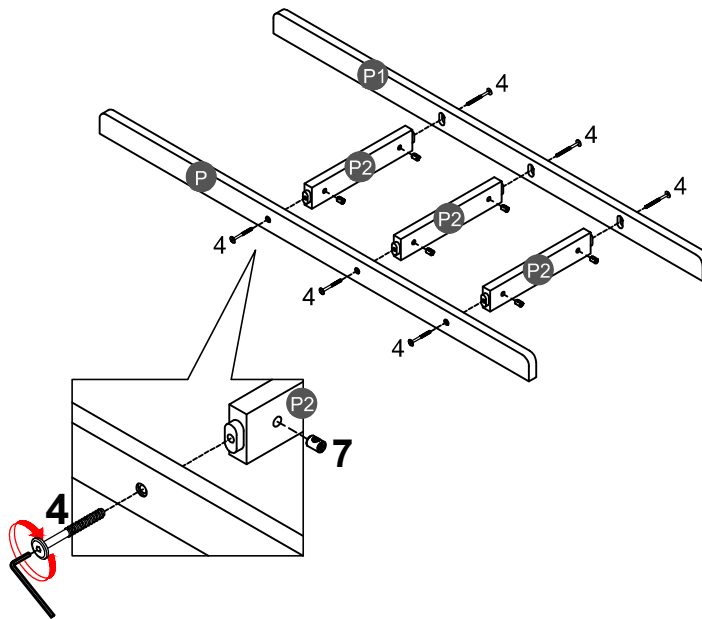
STEP 7:

3		7	
4PCS		4PCS	

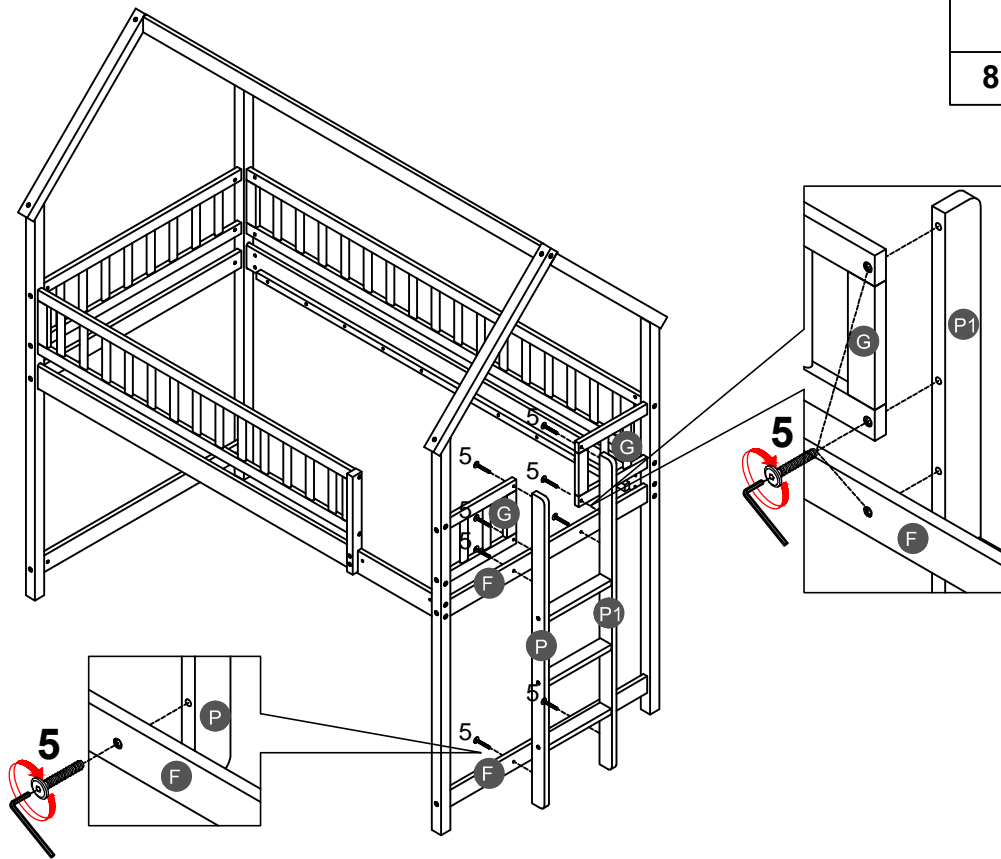


STEP 8:

4		7	
6PCS		6PCS	



STEP 9:

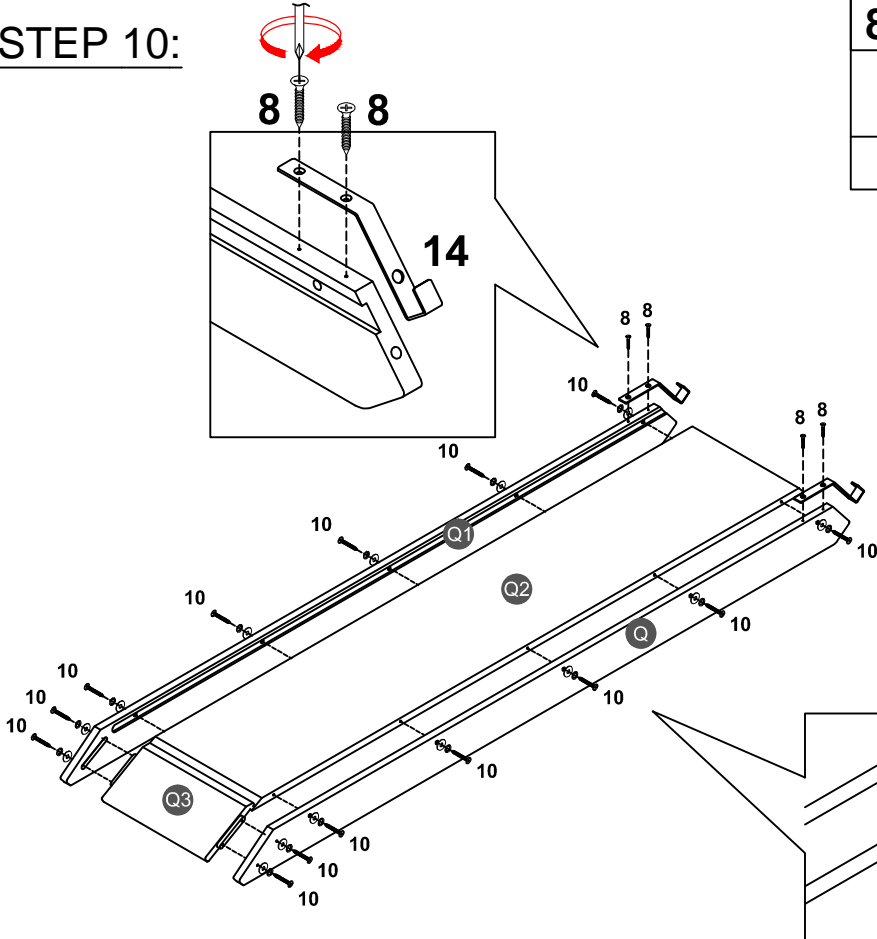


5



8PCS

STEP 10:



8



4PCS

10



14PCS

11



14PCS

12



14PCS

14



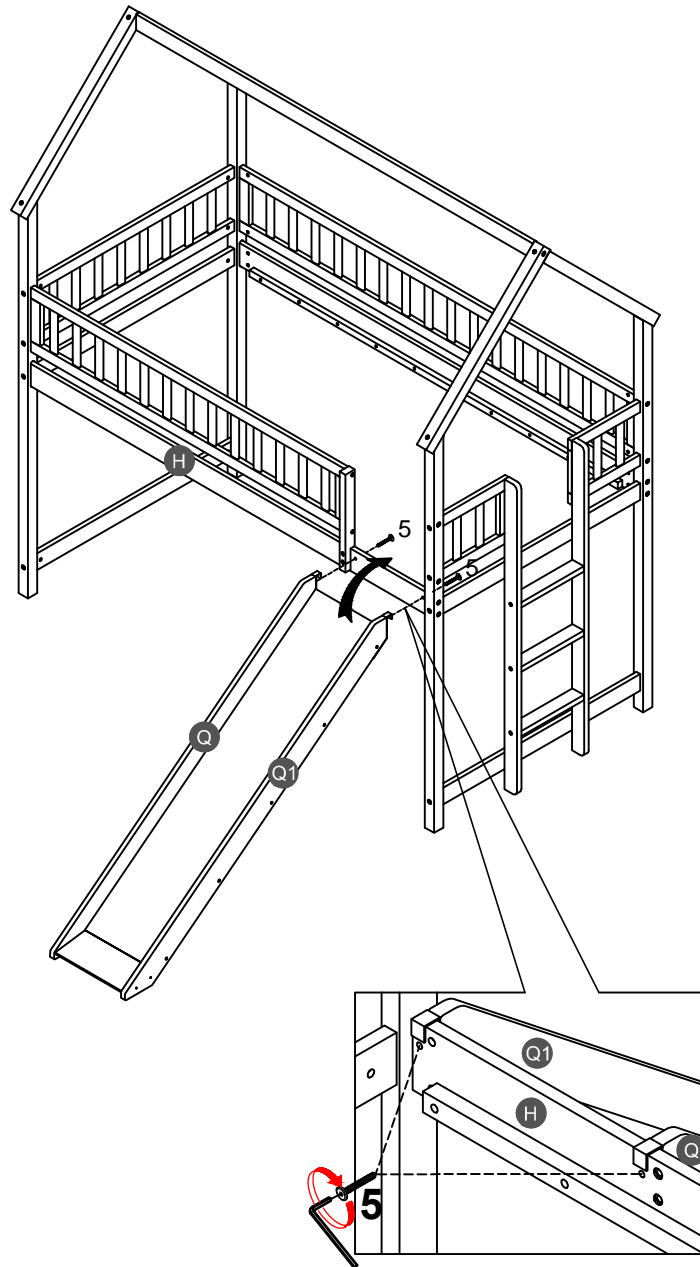
2PCS

STEP 11:

5



2PCS

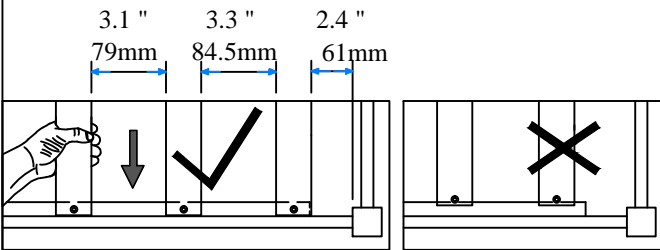
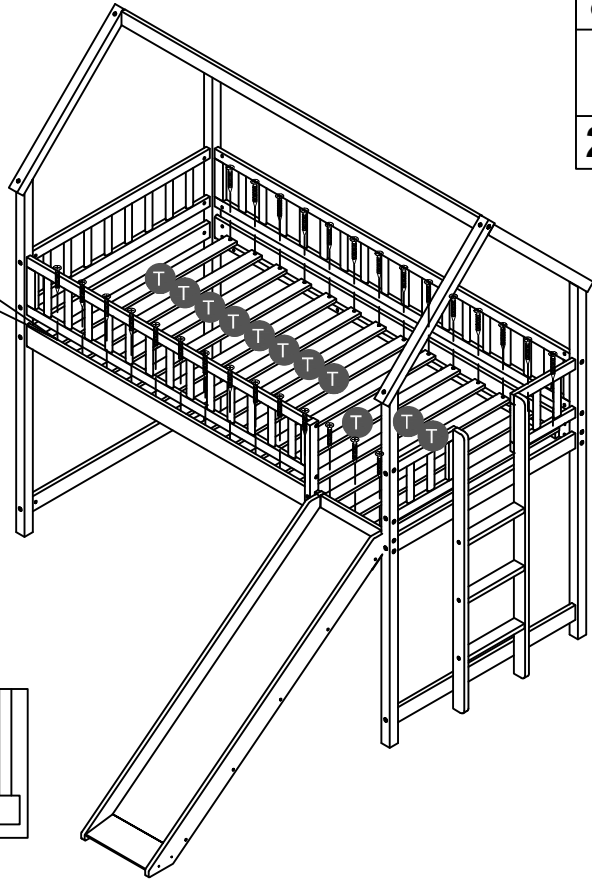
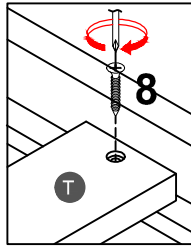


STEP 12:

8



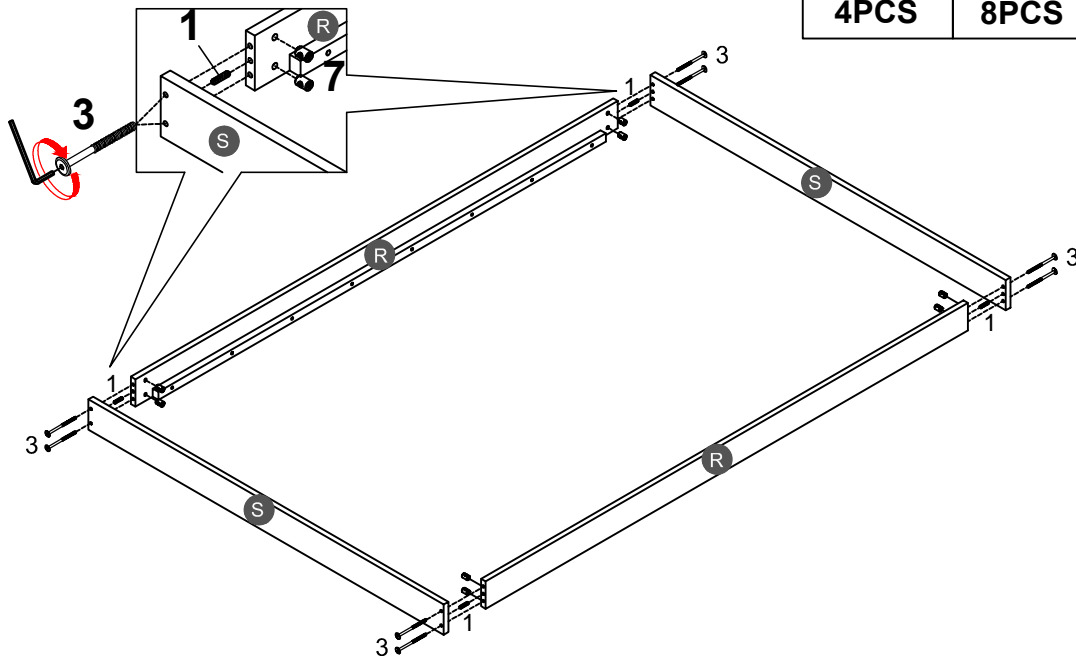
28PCS



Note: Do not lock the screws of the bed slats to the outermost edge of the bed slats, you need to leave a certain space at the edges, otherwise it will cause the board to break. Do not lock the bed slats on the edge of the wood, please hold firmly before screwing, hold it in place with one hand, then lock the screw.

STEP 13:

1	3	7
4PCS	8PCS	8PCS

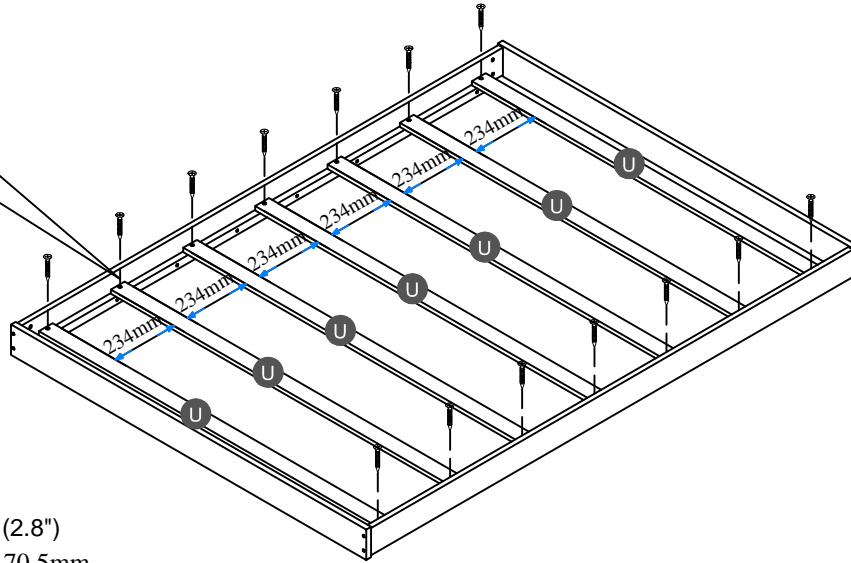
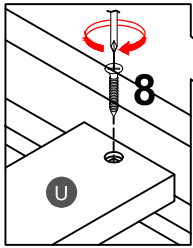


STEP 14:

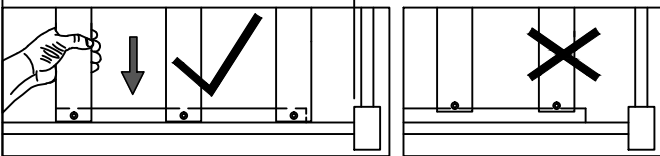
8



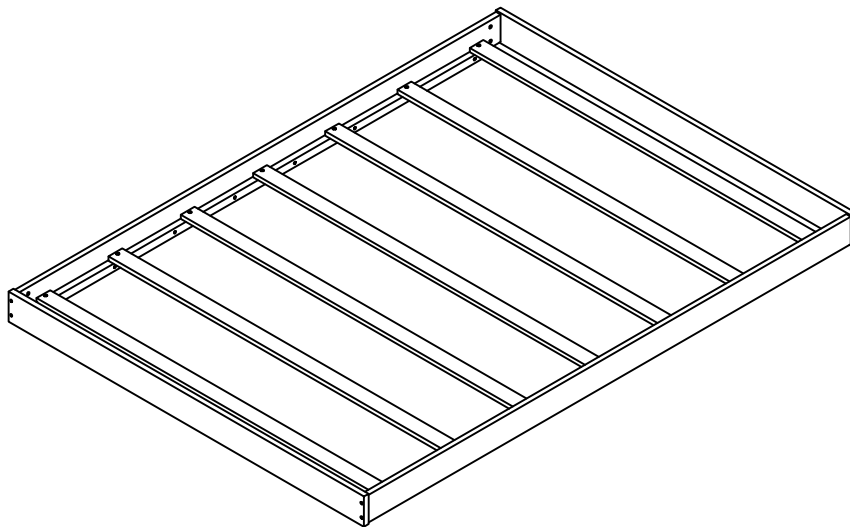
14PCS



(9.2") 234mm (9.2") 234mm (2.8") 70.5mm



Note: Do not lock the screws of the bed slats to the outermost edge of the bed slats, you need to leave a certain space at the edges, otherwise it will cause the board to break. Do not lock the bed slats on the edge of the wood, please hold firmly before screwing , hold it in place with one hand, then lock the screw.



STEP 15:

