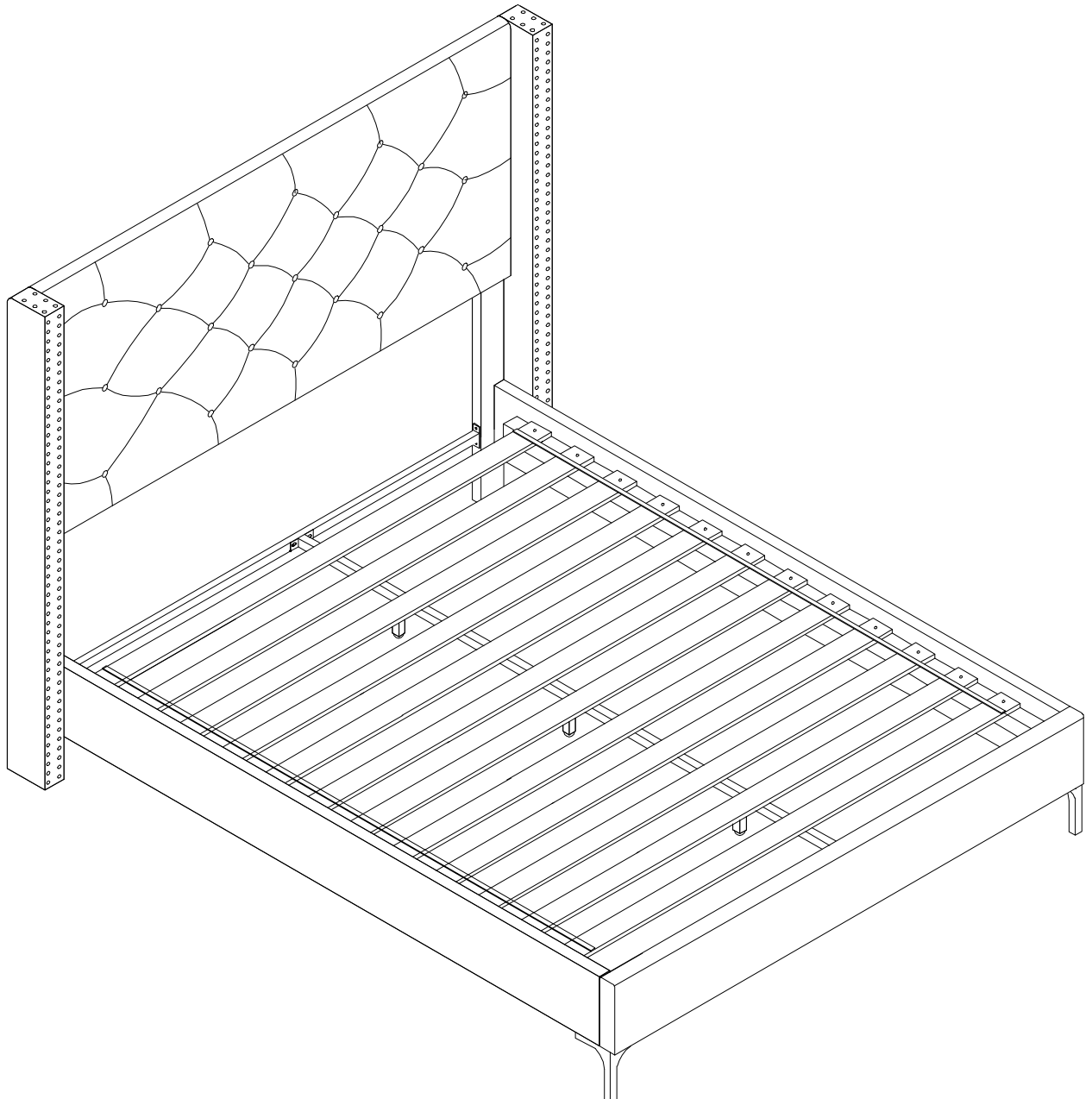


ASSEMBLY INSTRUCTION

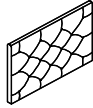








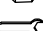





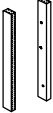
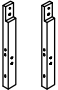
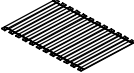

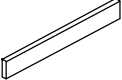
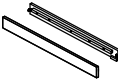
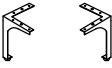
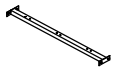

IMPORTANT: PLACE ALL PARTS ON A CLEAN AND SMOOTH SURFACE SUCH AS A RUG OR CARPET TO AVOID THE PARTS FROM BEING SCRATCHED

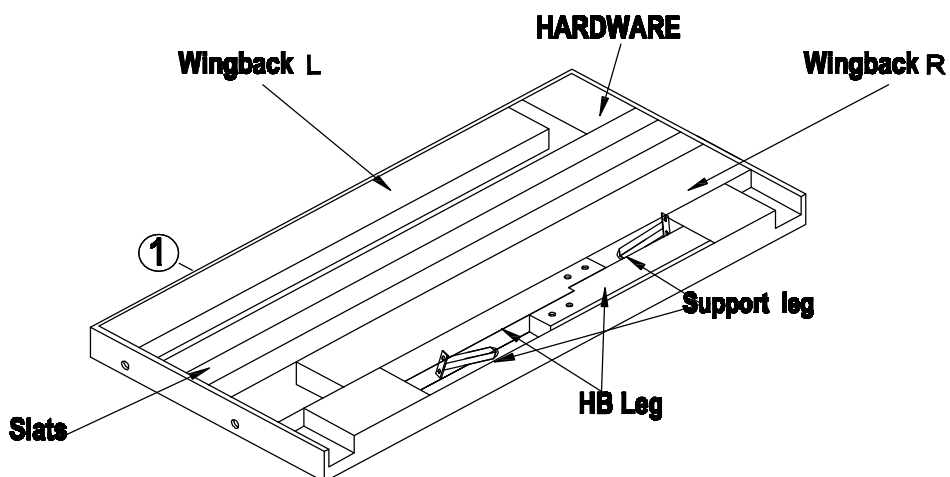
KINDLY FOLLOW THE ASSEMBLY INSTRUCTIONS STEP

DO NOT TIGHTEN ALL SCREWS UNTIL THE BED IS FULLY SET-UP

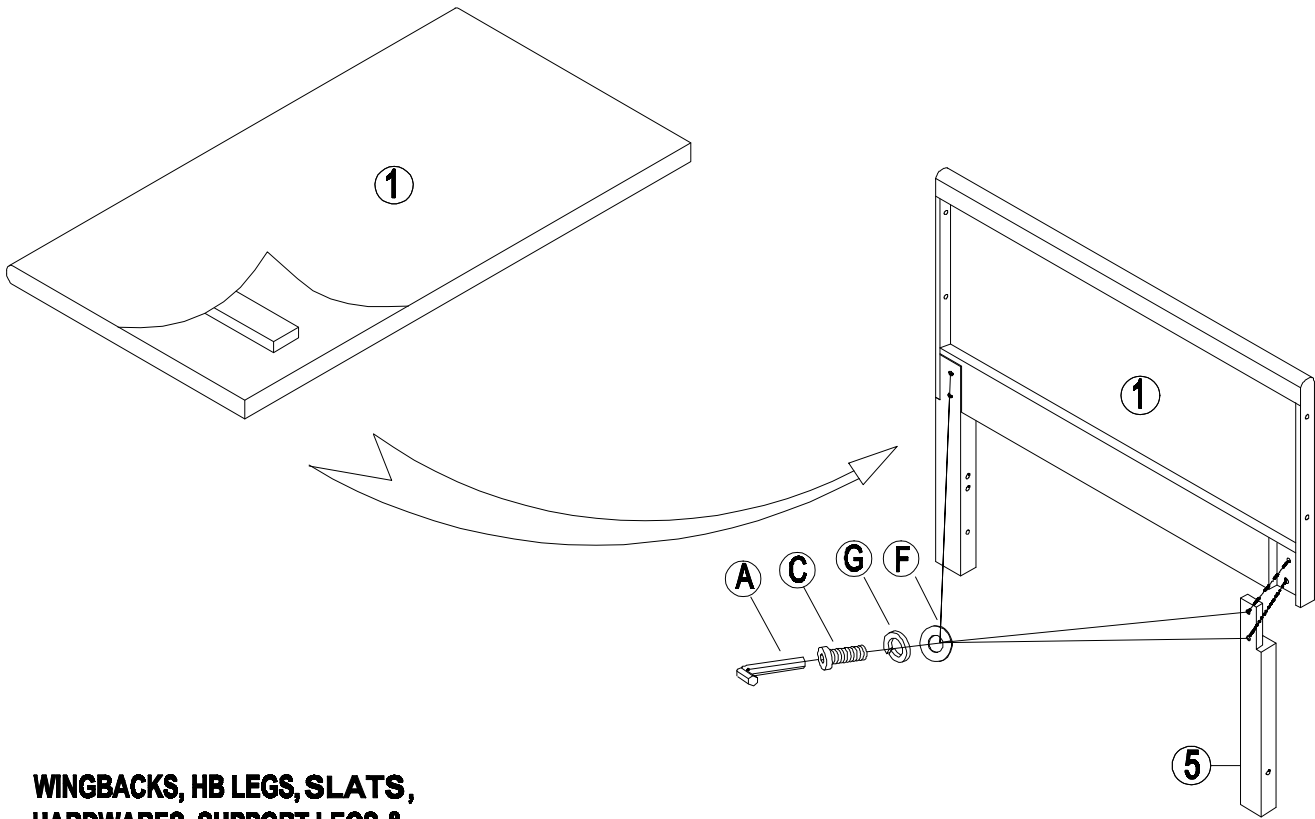


Bed is packed in 2 carton

carton	Disignation	Part	Hardware
B1001-Q-HB	1.Headboard		 #A x 1PC  #B x 14PCS  #C x 16PCS  #D x 2PCS  #E x 54PCS  #F x 10PCS  #G x 26PCS  #H x 24PCS  #I x 8PCS  #J x 1PC  #K x 2PCS  #L x 2PCS  #M x 1PC  #N x 8PCS
	4.Wingback (2pcs)		
	5.HB Leg (2pcs)		
	7.Slats (12pcs)		
	9.Support Leg (3pcs)		
B1001-Q- FB/SR	2.Footboard		
	3.Side Rail (2pcs)		
	6.FB Feet (2pcs)		
	8.Support Rail		
	10.Crossband		

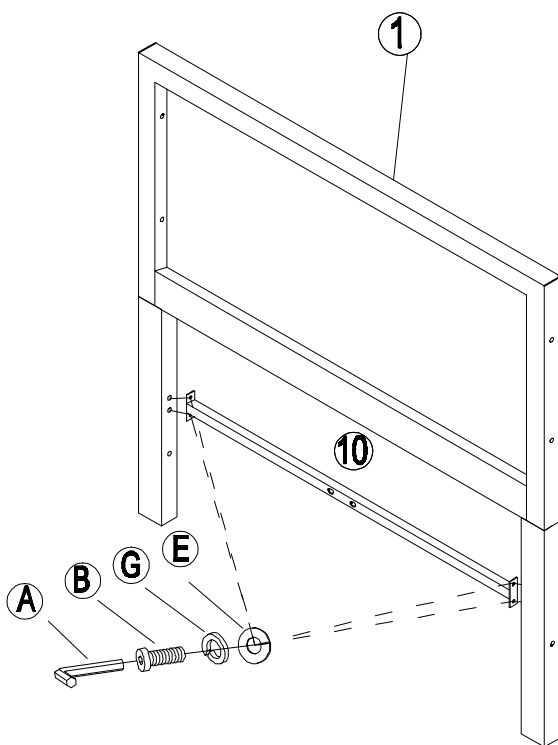


STEP 1

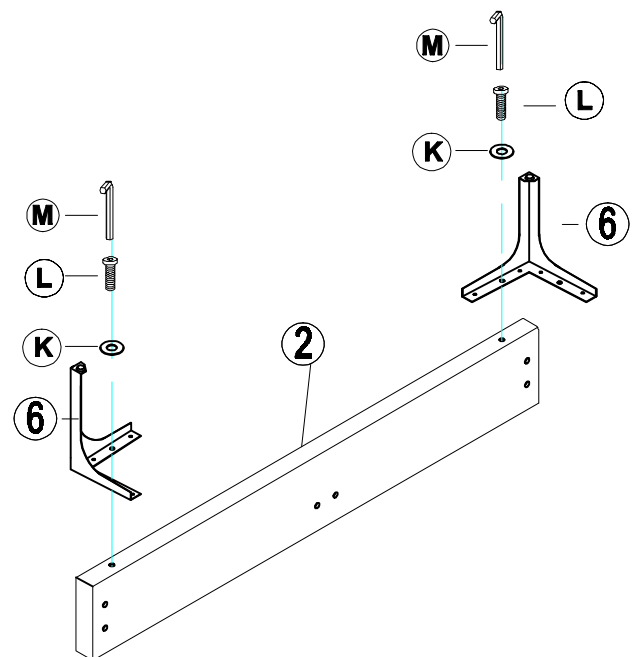


**WINGBACKS, HB LEGS, SLATS,
HARDWARES, SUPPORT LEGS &
ASSEMBLE INSTRUCTION HIDDEN INSIDE OF
THE HEADBOARD, PLZ LIFT THE COVER .**

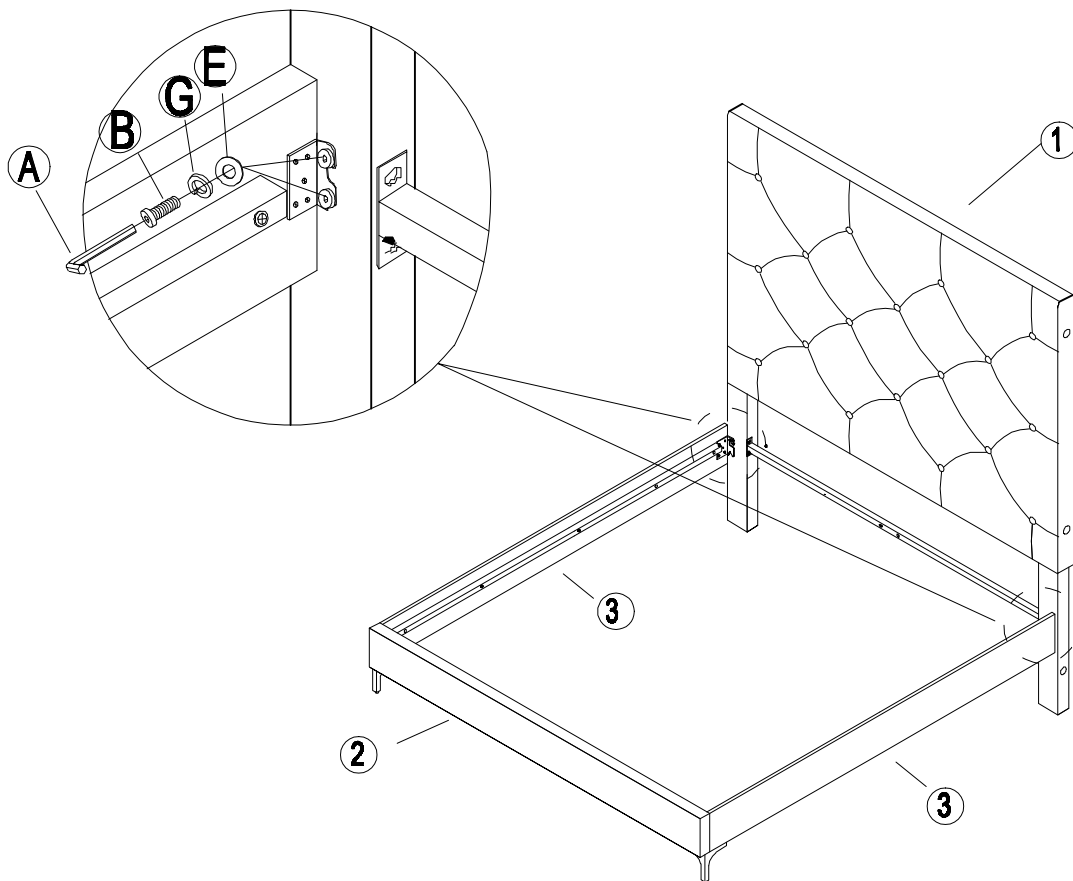
STEP 2



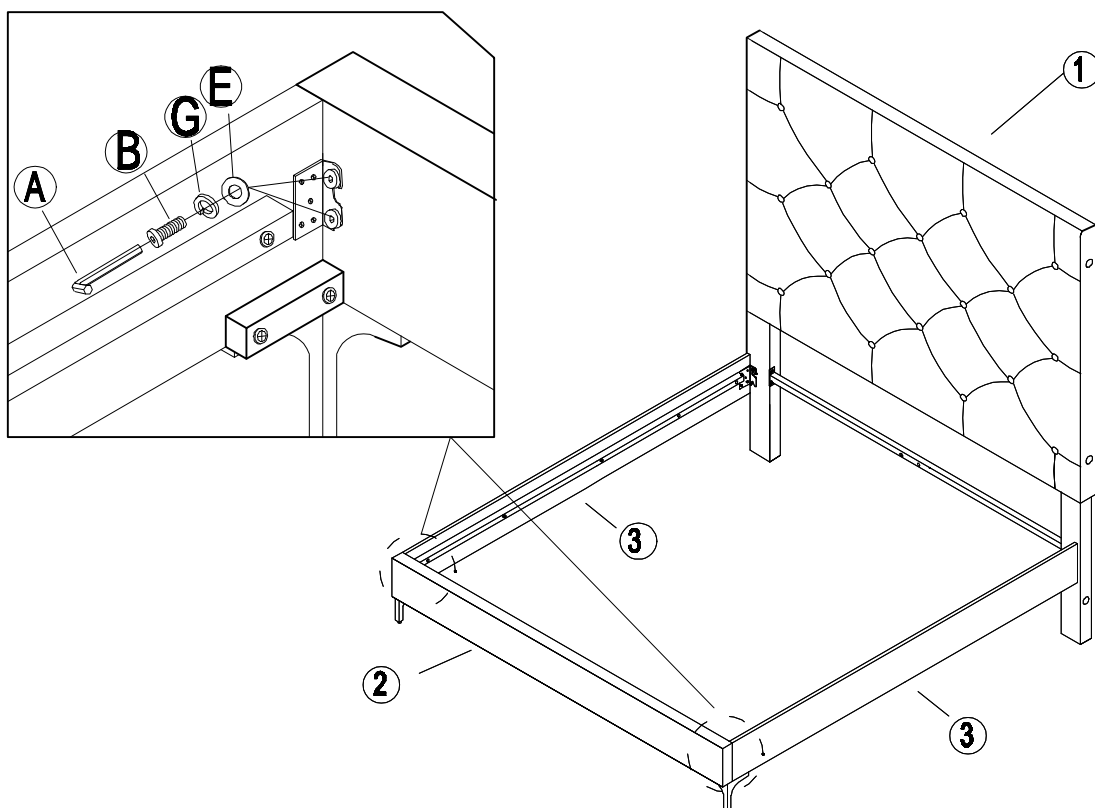
STEP 3



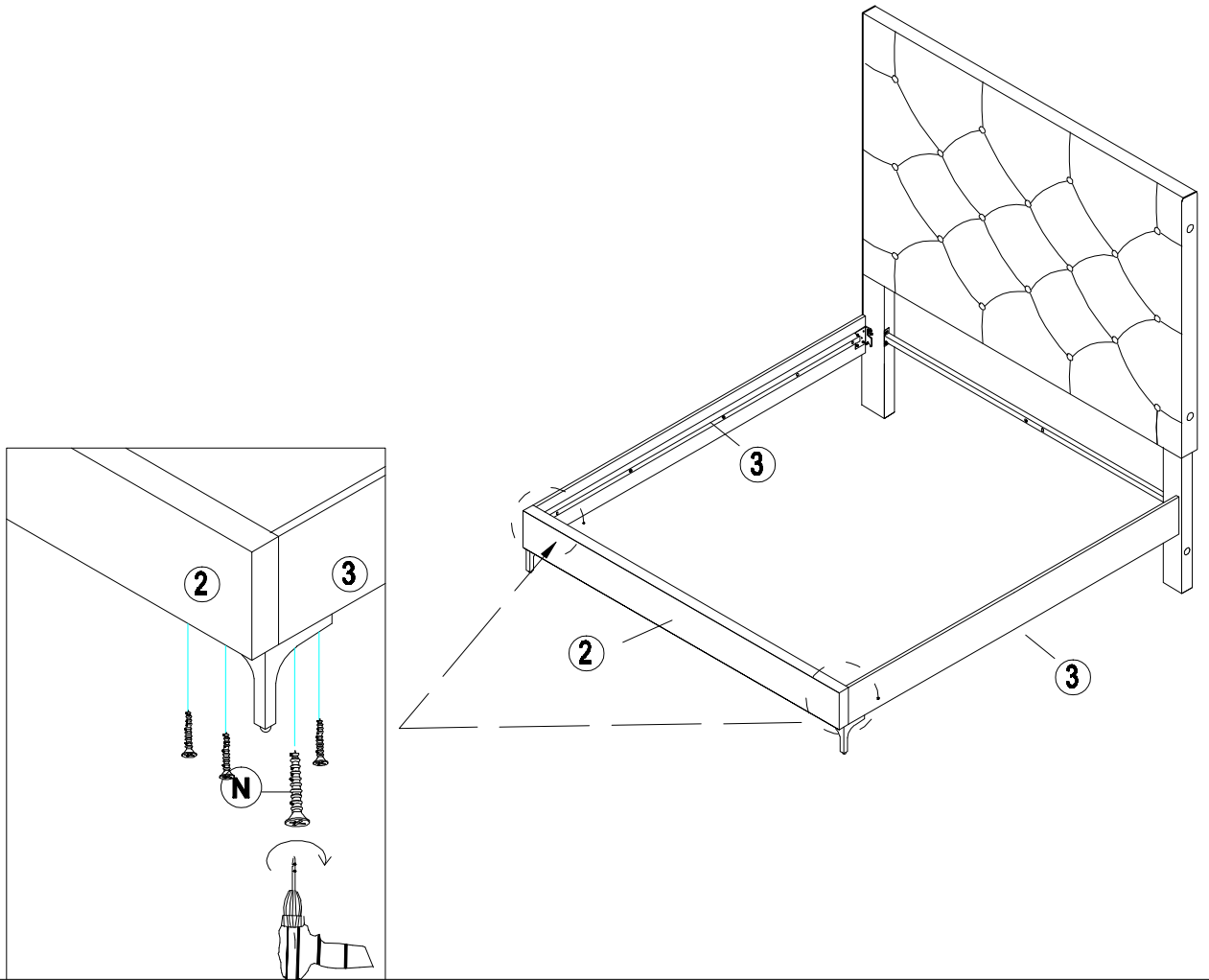
STEP 4



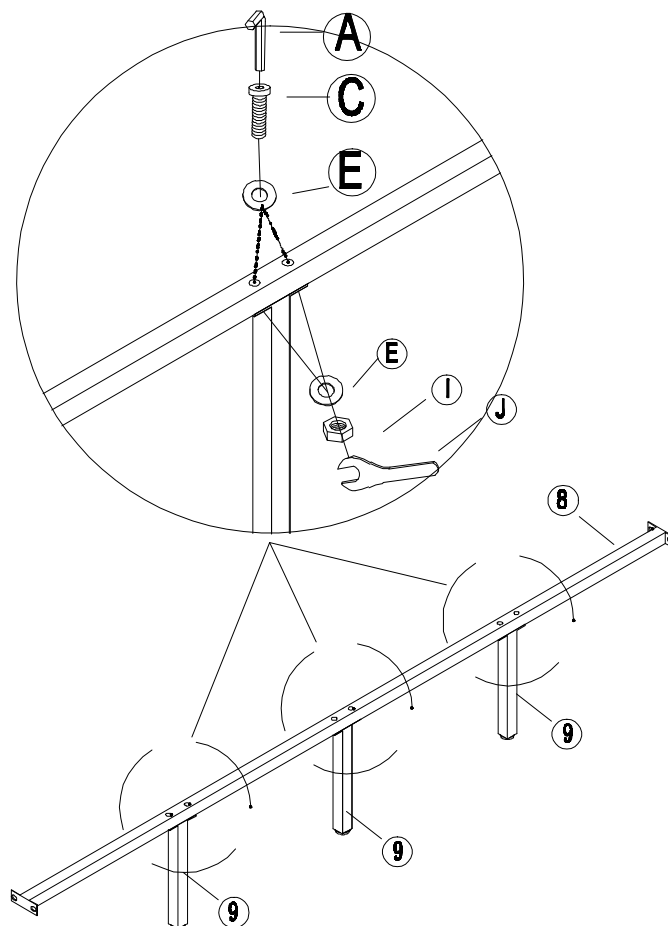
STEP 5



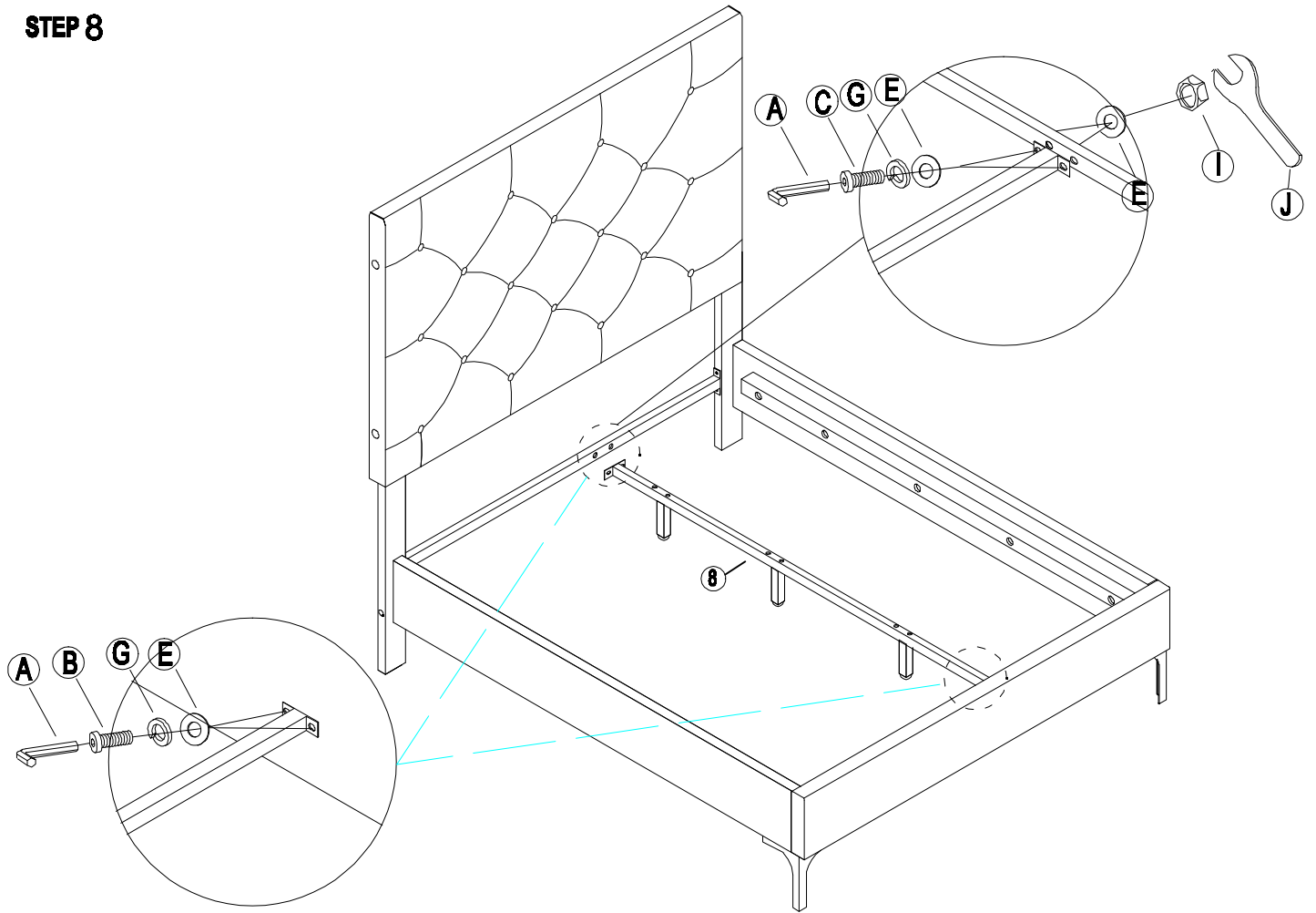
STEP 6



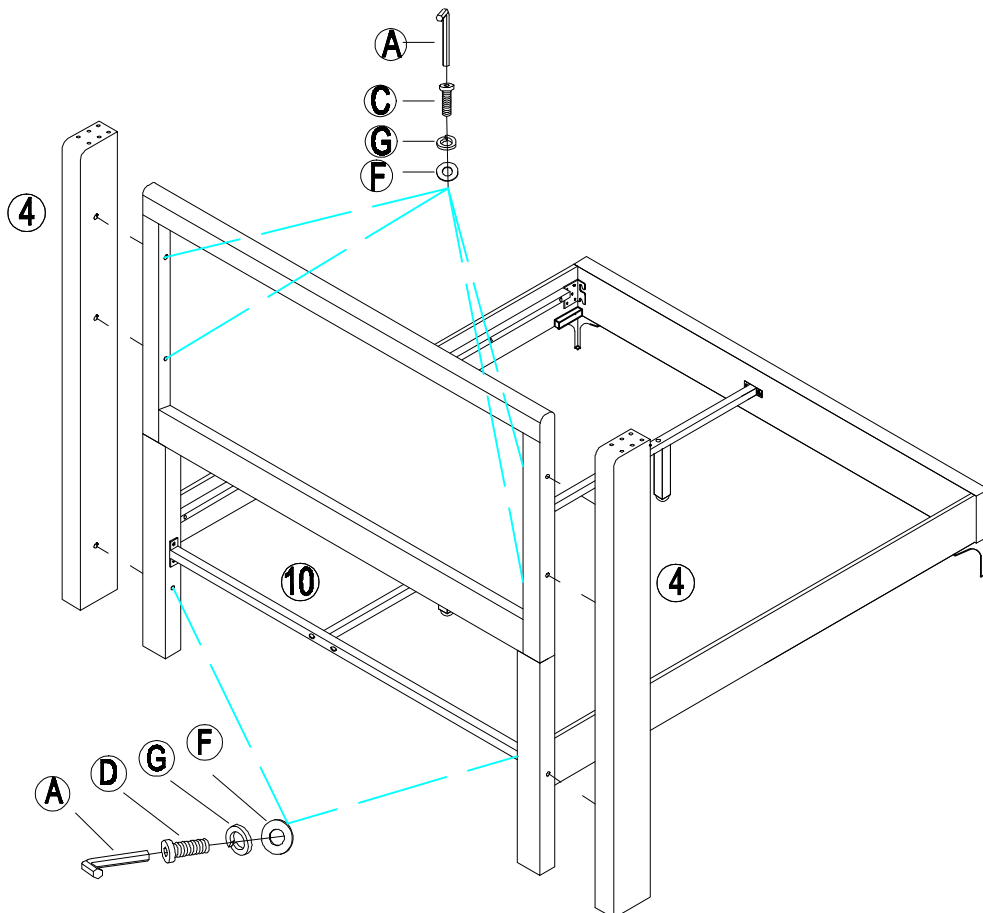
STEP 7



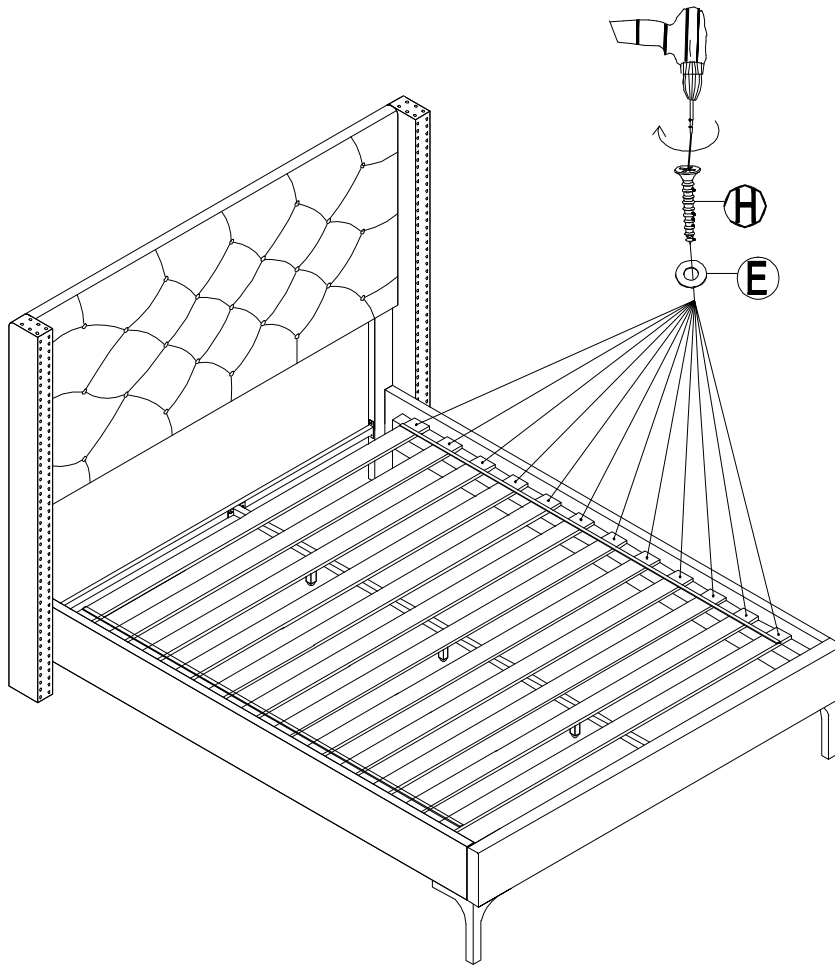
STEP 8



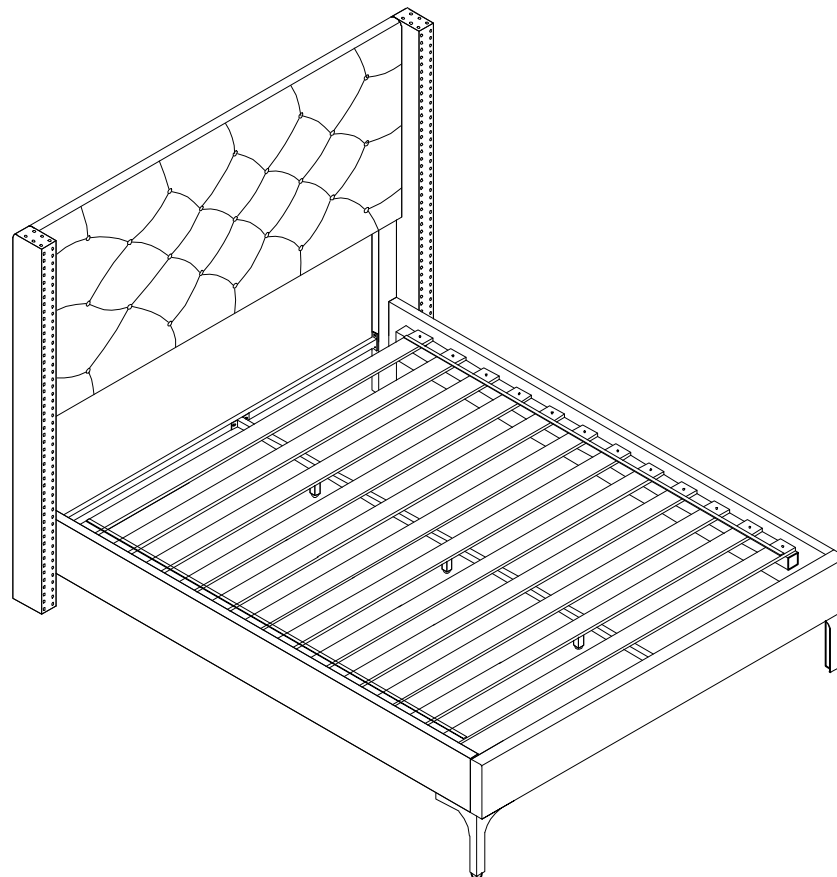
STEP 9



STEP 10



STEP 11



FINAL