

ASSEMBLY INSTRUCTIONS

PLEASE KEEP THIS FOR FUTURE REFERENCE

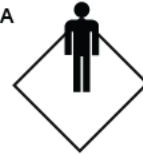
1.0 hr

APPROXIMATE ASSEMBLY TIME

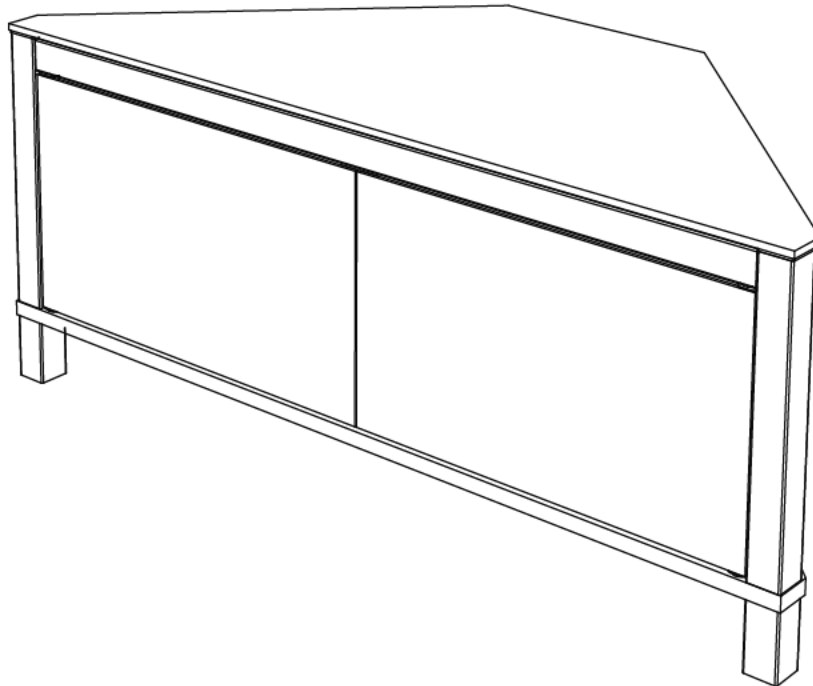
1 PERSON ASSEMBLY



FLOOR AREA
2.0M X2.0M



REQUIRED ASSEMBLY SPACE



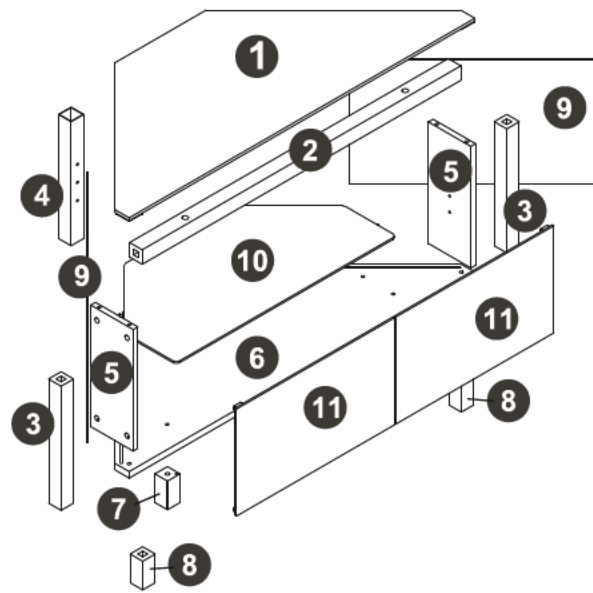
Top Tips before you start!


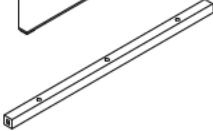
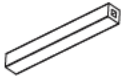

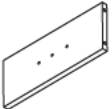
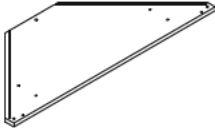
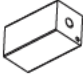
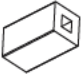


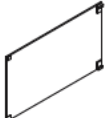
1. Please check that all parts are present before you start the assembly of your furniture.
2. For ease and speed of assembly, we recommend that before you commence each step of the assembly, that you identify all the parts required for that step.
3. For larger items, please ensure that you have sufficient space and people (as indicated on page 1) to assemble your product safely
4. We recommend that, where possible, all items are assembled near to the area in which they will be placed in use, to avoid moving the product unnecessarily once assembled.
5. For the protection of your furniture, particularly items of high gloss finish, we recommend that the product is placed on a protected surface during assembly to prevent any damage.
6. During assembly please take care not to over-tighten any fittings, as this may damage the product.

Care and Maintenance of your Furniture

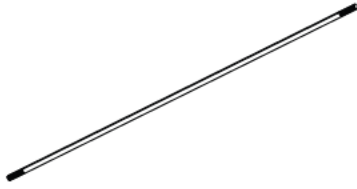
- Please periodically check all fittings and re-tighten as necessary.
- Please do not sit or stand on this item.
- Never allow any kind of liquid to remain on your furniture, Absorption can cause wood to warp or finishes to de-laminate
- Please do not drag and pull your furniture.
- If the glass is chipped or broken, stop using the product and consult the manufacturer or supplier.
- Please do not place very hot or very cold items on the glass surface, unless adequately thick table mats are used to prevent such items from coming into contact with the glass.
- Please do not use the glass as a chopping surface. Do not strike the glass with hard or pointed items.
- When cleaning glass panels use a damp cloth or leather with washing up liquid or soft soap if necessary, do not use washing powders or any other substances containing abrasives since these substances scratch glass.
- The glass used in this product is toughened and complies with BS EN 12150-1:2000, clauses 8.3 & 8.4

PARTS LIST



no.		PART LIST	QTY
(1)		GLASS TOP PANEL	1
(2)		REVERSIBLE FRONT RAIL	1
(3)		LONG REVERSIBLE LEG	2
(4)		LONG REAR LEG	1
(5)		MIDDLE PANEL	2
(6)		BASE PANEL	1
(7)		SHORT REAR LEG	1
(8)		SHORT REVERSIBLE LEG	2
(9)		SIDE PANEL	2
(10)		GLASS SHELF	
(11)		GLASS DOOR	2

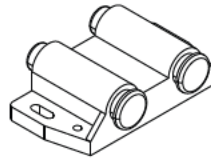
HARDWARE LIST



3x
A
THREADED ROD



3x
B
BOLT



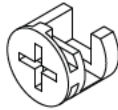
1x
C
DOUBLE MAG
CATCH



4x
D
SCREW



8x
E
CAM PIN



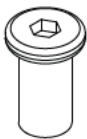
8x
F
CAM LOCK



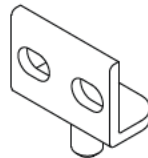
2x
G
SHELF SUPPORT



1x
H
SCREW



3x
I
SLEEVENUT



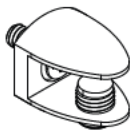
4x
J
DOOR HINGE
PLATE



8x
K
GRUB SCREW



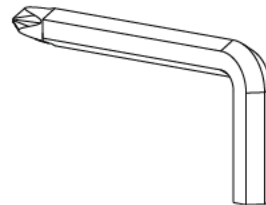
8x
L
PLASTIC COVER



1x
M
SHELF SUPPORT



4x
N
RUBBER MAT

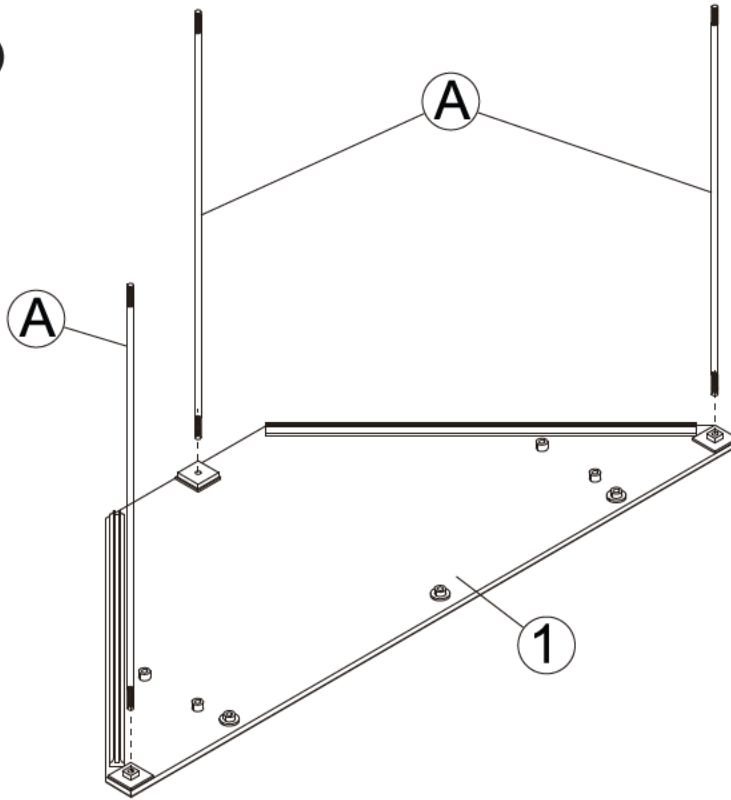


1x
O
ALLEN KEY



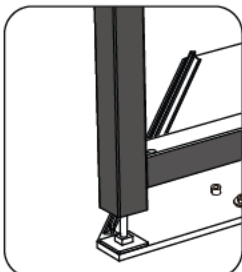
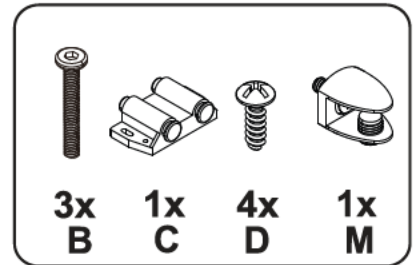
1x
P
ALLEN KEY

STEP 1

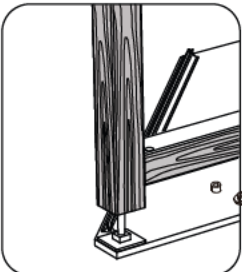


STEP 2

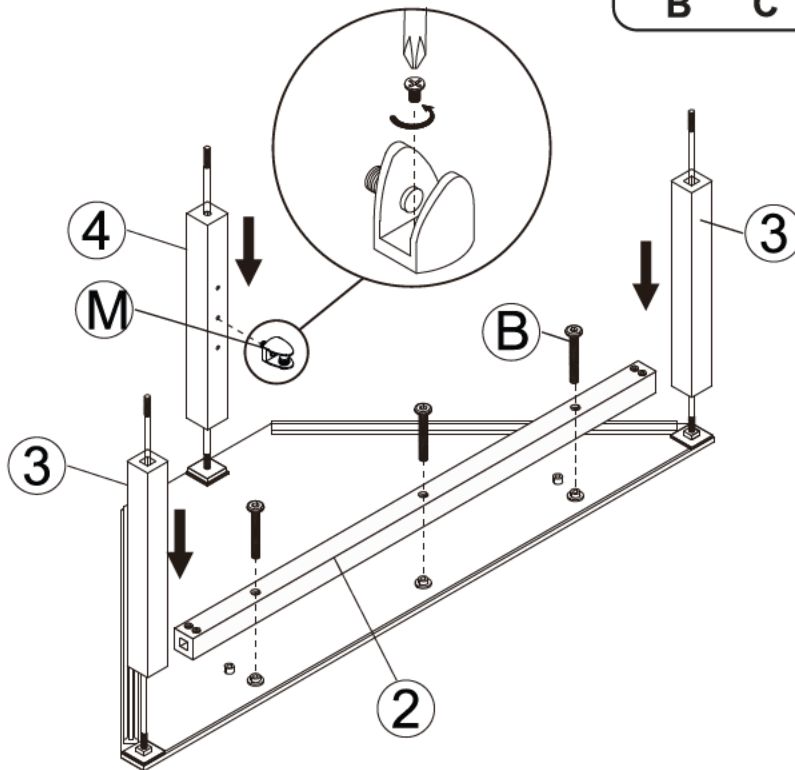
The legs & front rail on this TV stand have a reversible feature. There are options of both satin black or lacquered walnut finishes. Simply fit the parts to the stand with the finish you want.



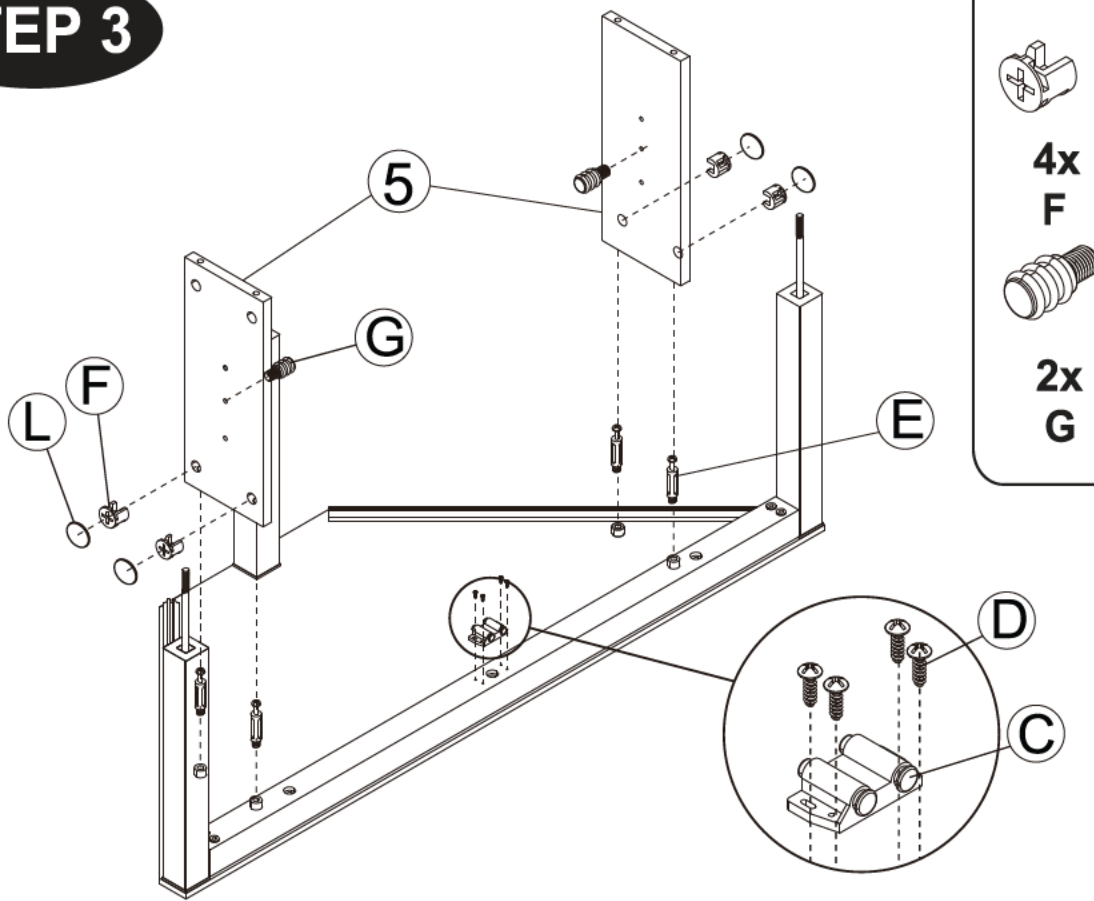
Assemble this way for satin black finish



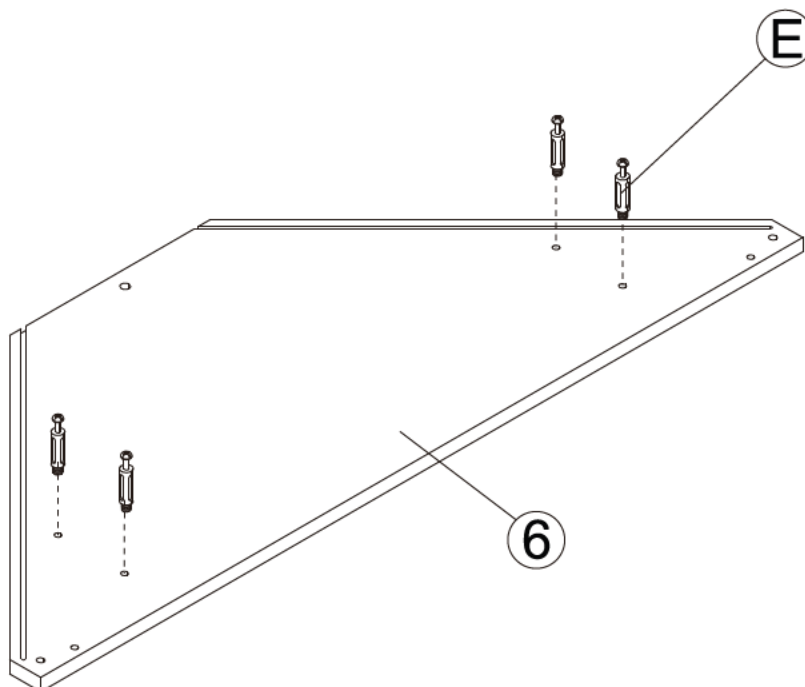
Assemble this way for walnut finish



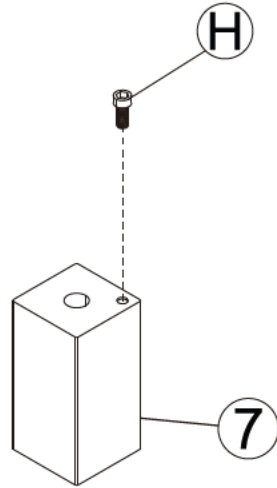
STEP 3



STEP 4

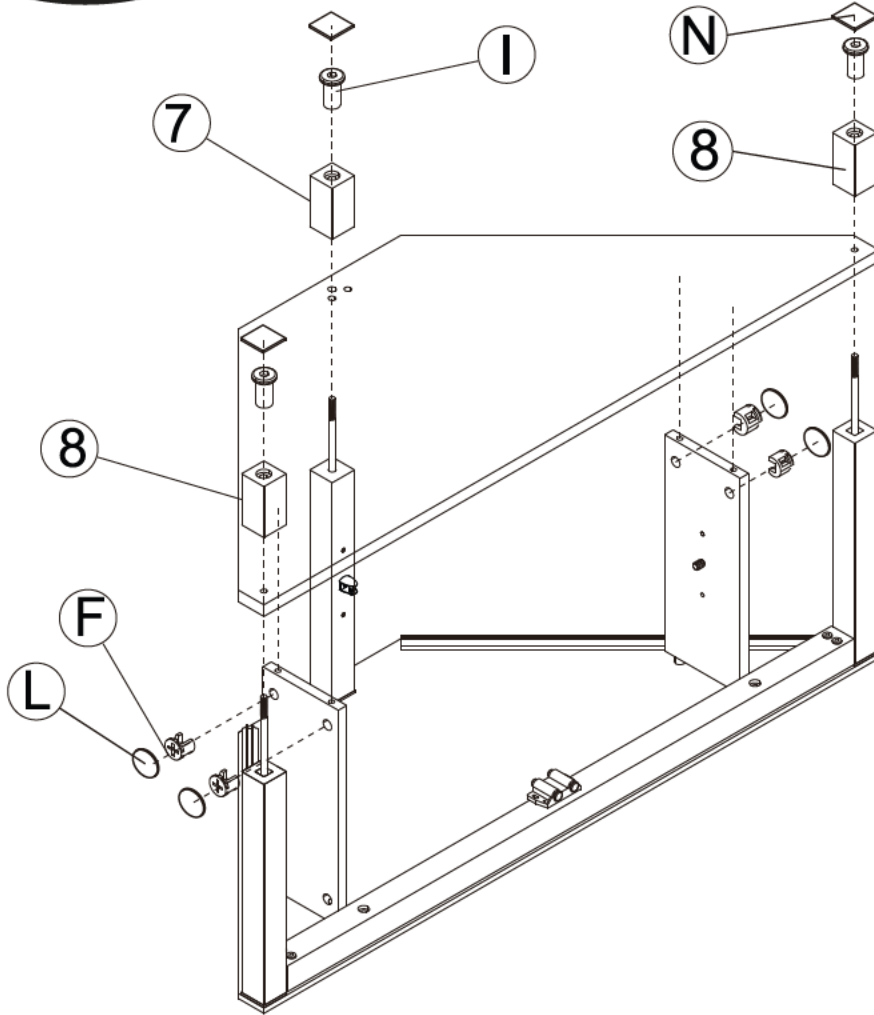


STEP 5



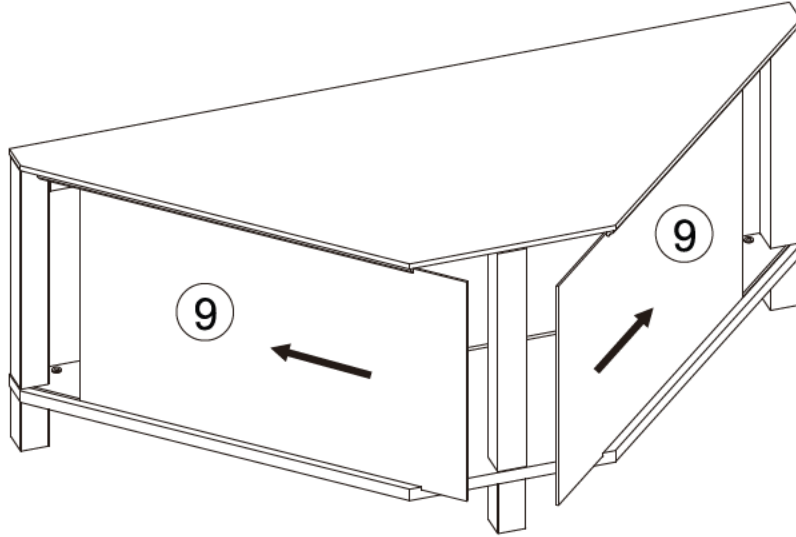
1x
H

STEP 6

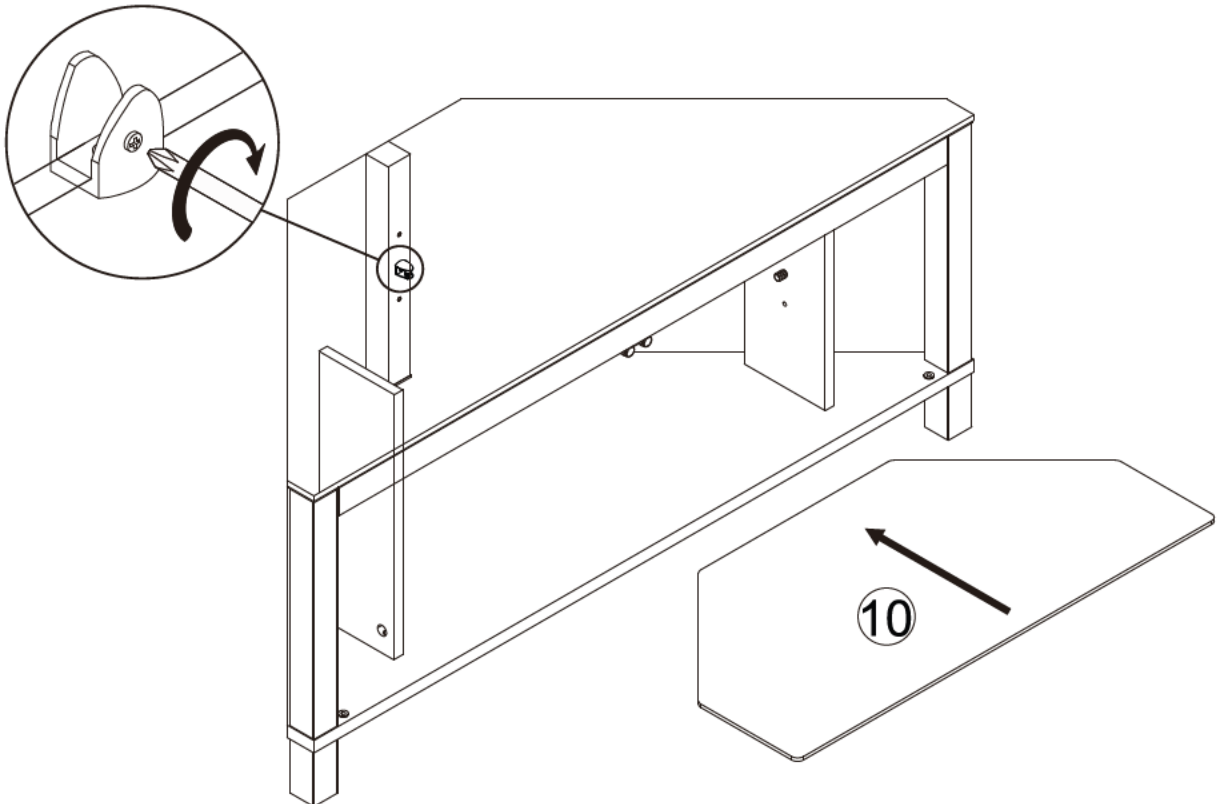


4x F 3x I
4x L 4x N

STEP 7

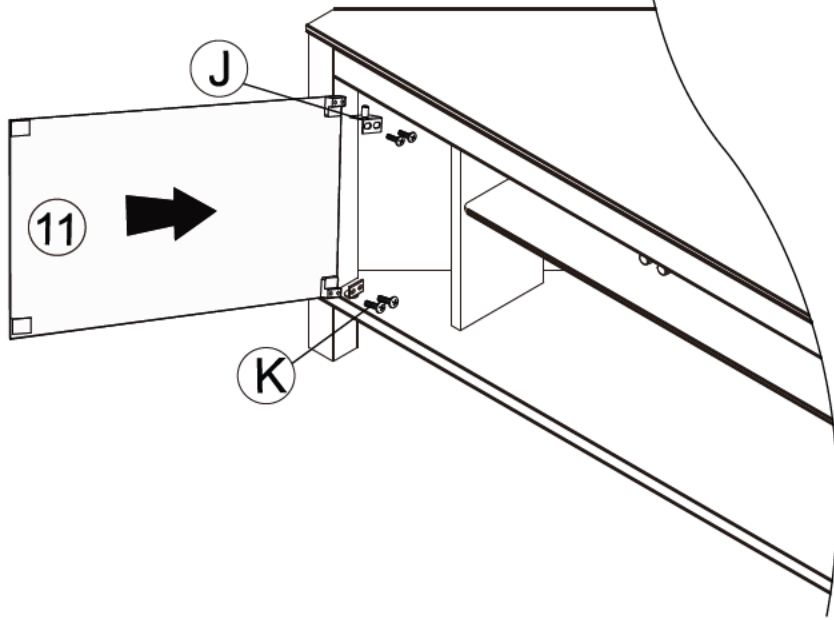


STEP 8



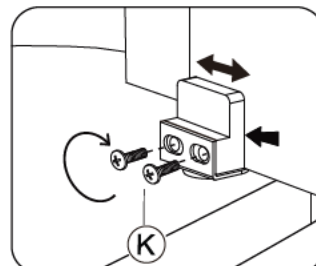
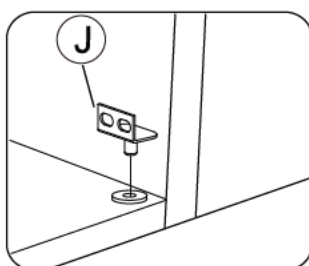
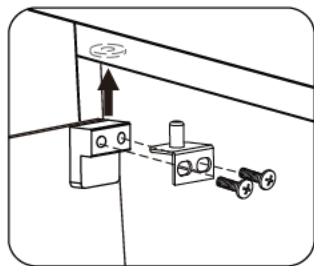
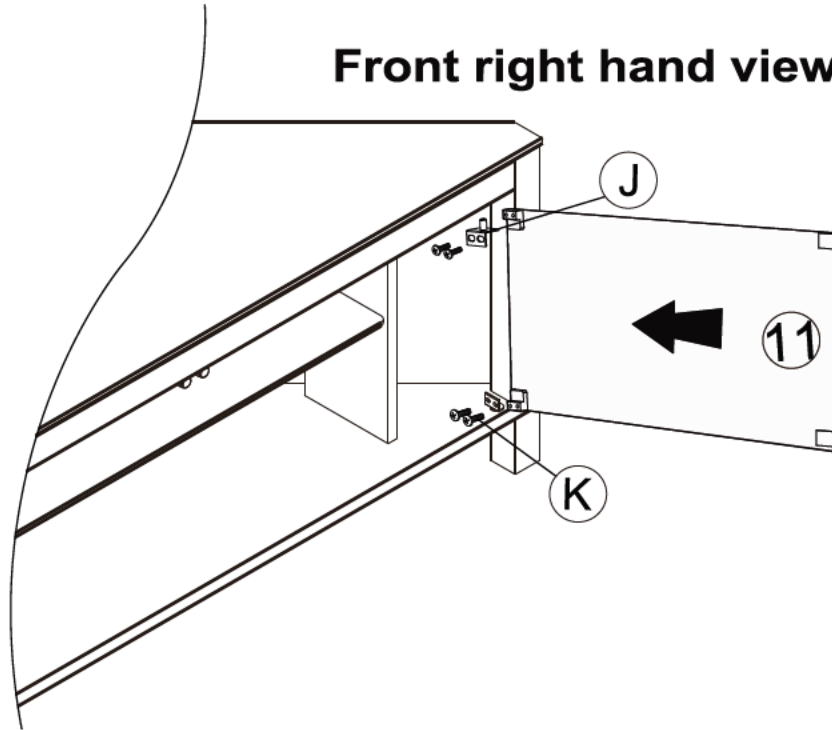
STEP 9

Front left hand view



4x J	8x K

Front right hand view



NOTE : DOOR ALIGNMENT CAN BE ADJUSTED BY LOOSENING SCREWS & RE-POSITIONING BEFORE TIGHTENING SCREWS