

NOTICE

- *Please make sure that you have all parts indicated and they are in good condition before you begin assembly of this item.Refer to parts list and hardware list below for guidance.
- *This item should be assembled on a soft surface to prevent scratching the finished goods during assembly.
- * This item may require periodic tightening.
- * If you are having difficulty, our friendly Customer Care team is always here to help.

PREPARATION

- *Before beginning assembly of product,make sure all parts are present.Compare parts with part contents list and hardware contents list.
- *If an part is missing or damaged,do not attempt to assemble the product.
- *Estimated Assembly Time: 15 minutes.
- *Tools Required for Assembly (included):Allen Key.

CARE AND MAINTENANCE

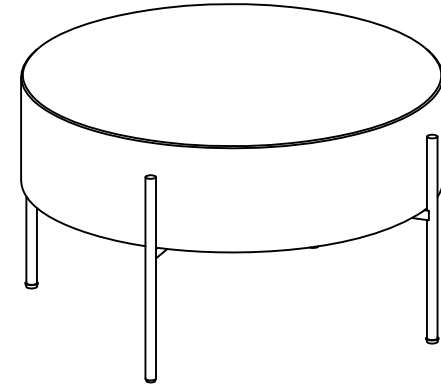
INDOOR METAL/ALUMINUM FURNITURE

Wipe spills immediately. Maintain with regular dusting and clean with mild soap and water, dry thoroughly and do not use a brass cleaner. Adhesive felt pads should always be used/applied in order to prevent damage to the furniture or surfaces on which the furniture is placed.

UPHOLSTERY CARE

To prevent overall soiling, frequent vacuuming or light brushing is recommended. Down-filled cushions should be brushed rather than vacuumed. Spot clean, using a mild water-free solvent or dry cleaning product. Only a professional cleaner should undertake a complete overall cleaning. The use of steam or water-based cleaners may cause excessive shrinking or staining.

Product Dimensions: 31.5"W x 31.5"D x 18"H



Weight capacity : 275 lbs
WARNING : DO NOT STAND ON THE PRODUCT
WARNING : DO NOT OVER TORQUE BOLTS

Part List and Hardware List

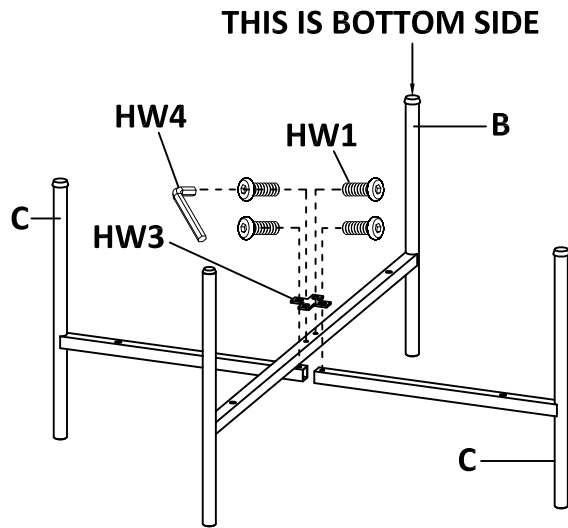
PIECE	DESCRIPTION	PICTURE	QUANTITY
A	Seat cushion		1x
B	H type metal frame		1x
C	T type metal frame		2x

PIECE	DESCRIPTION	PICTURE	QUANTITY
HW1	Hex Socket Bolt	1/4" - 20 x 0.625"	4x
HW2	Hex Socket Bolt	1/4" - 20 x 1.5"	4x
HW3	Crisscross metal plate	3 x 60 x 60mm	1x
HW4	Allen key	M4	1x

PREPARATION

- *Before beginning assembly of product, make sure all parts are present. Compare parts with part contents list and hardware contents list.
- *If any part is missing or damaged, do not attempt to assemble the product.
- *Estimated Assembly Time: 15 minutes.
- *Tools Required for Assembly (included): Allen Key.
- *If you are having difficulty, our friendly Customer Care team is always here to help. Please email

1

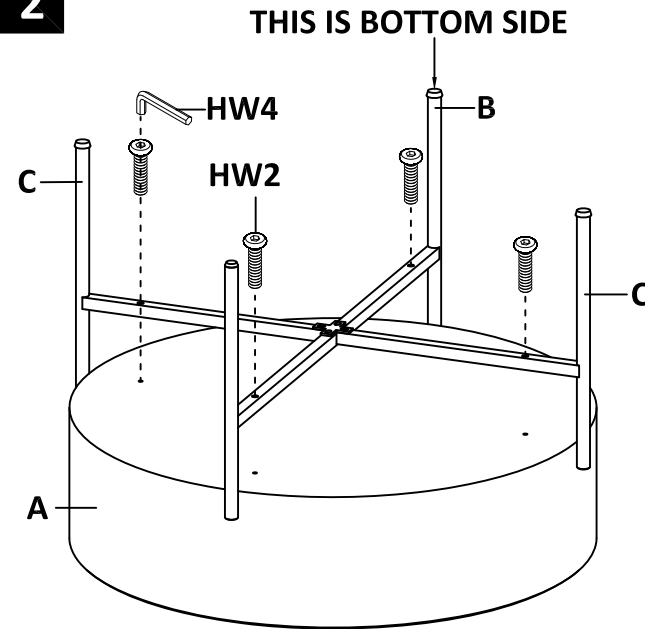


*Do not fully tighten the bolts until the product is assembled.

Step 1

Attach 1x H type metal frame (B) & 2x T type metal frame (C) together with crisscross metal plate (HW3), Use the Allen Key (HW4) to screw in the Hex Socket Bolts (HW1) into the Metal frames (B & C) through the crisscross metal plate (HW3).

2

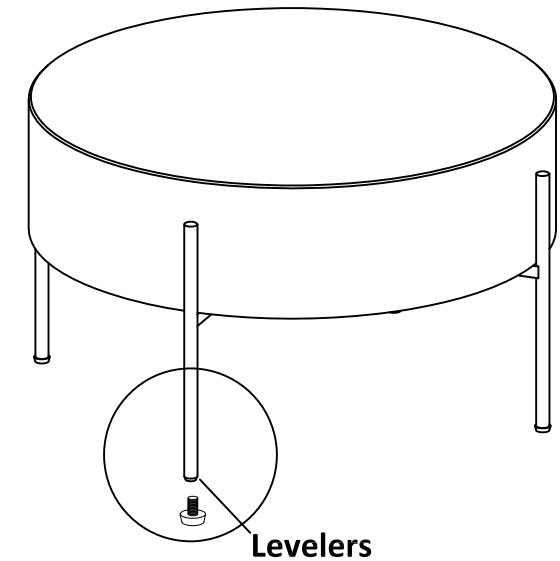


*Do not fully tighten the bolts until the product is assembled.

Step 2

Attach the assembled metal base (as step 1) with underneath of Seat cushion (A), And aligning the holes of metal frame with the holes on the underneath of the Seat cushion (A), Use the Allen Key (HW4) to screw in the Hex Socket Bolts (HW2) into the backside of the Seat cushion (A) through the metal frame (B & C).

3



*After properly adjusting the levelers for stability, then fully tighten all bolts.

Step 3

Turn the assembled product upright. Use the levelers to adjust the product if needed. Assembly is now complete.