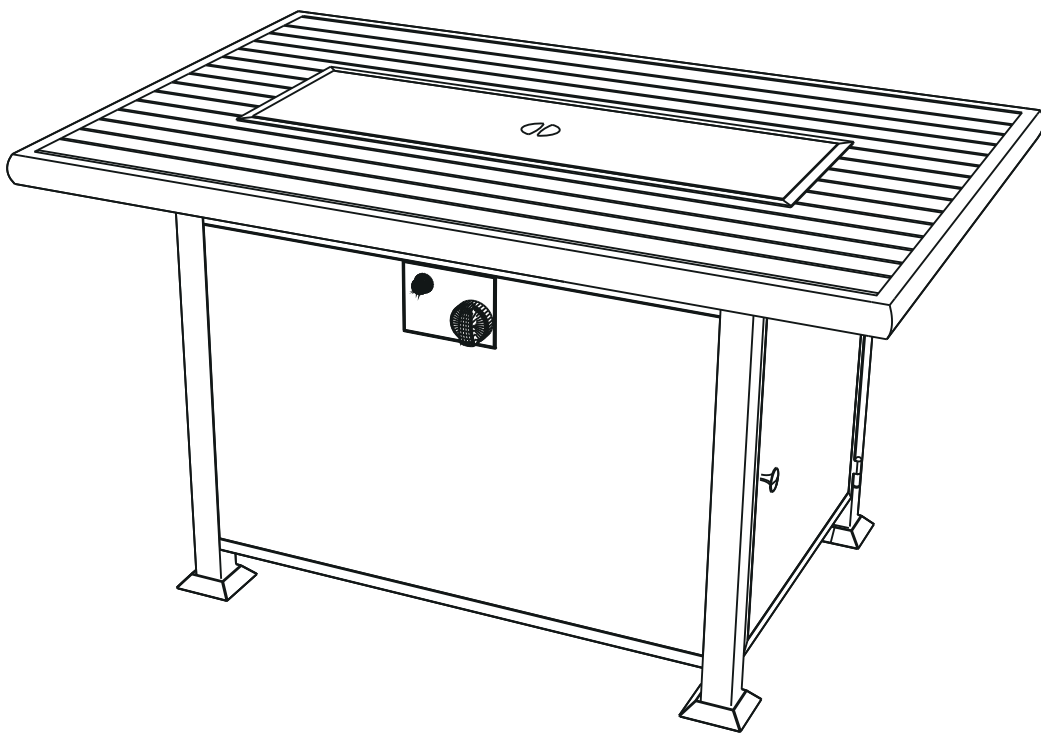
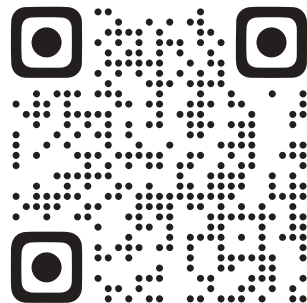




Outdoor Propane Fire Pit Table



Model:P2512-TBL



Scan the QR code to learn more about our product.



CONTENTS

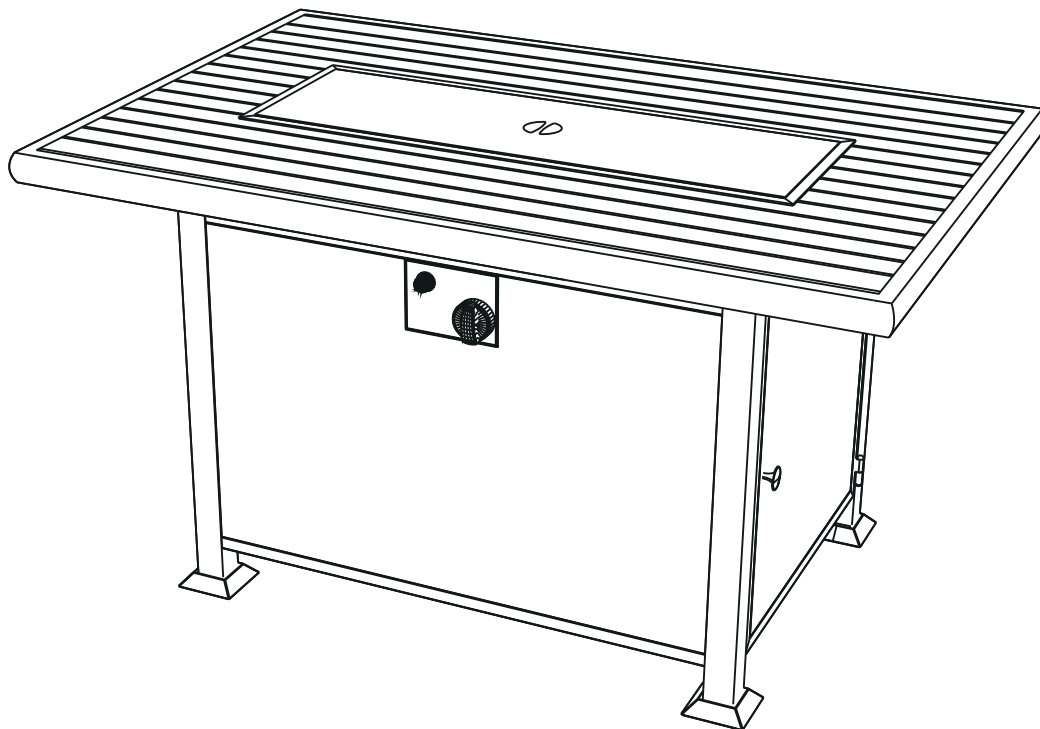
IMPORTANT.....	2
WARNING SAFETY RULES.....	3
WARNING.....	4
CAYTION.....	5
HEATER STAND AND LOCATION.....	7
OPERATION AND STORAGE.....	8
CLEANING AND CARE.....	10
ASSEMBLY PARTS.....	11
PARTS LIST.....	12
SCREW SET.....	13
INSTALLATION INSTRUCTION.....	14
CLEANING AND MAINTENANCE.....	21



IMPORTANT

Keep the instructions for future reference

Do not use this equipment if any part is flooded with water. Call technical service immediately to inspect the equipment and replace any part of the control system and any gas controller.





WARNING SAFETY RULES

PLEASE READ THE FOLLOWING SAFETY RULES PRIOR TO OPERATION OF THE HEATER

 **DANGER**
FIRE OR EXPLOSION HAZARD

WARNING: For Outdoor Use Only.

Installation and service must be performed by a qualified installer, service agency, or the gas supplier.

- 1) For use outdoors or in amply ventilated areas.
- 2) An amply ventilated area must have a minimum of 25 % of the surface area open.
- 3) The surface area is the sum of the walls surface.

If you smell gas:

Shut off gas to the appliance. Extinguish any open flame.

If the odor continues, leave the area immediately.

After leaving the area, call your gas supplier or fire department.

Failure to follow these instructions could result in fire or explosion, which could cause property damage, personal injury, or death.

WARNING: If the information in this manual is not followed exactly, a fire or explosion may result causing property damage, personal injury, or loss of life.

INSTALLER: Leave this manual with the appliance.

CONSUMER: Retain this manual for future reference.

 **DANGER**



RISQUE DE MONOXYDE DE CARBONE

This appliance can produce carbon monoxide which has no odor.

Using it in an enclosed space can kill you.

Never use this appliance in an enclosed space such as a camper, tent, car or home.



WARNING

Read the instructions before installation and use.

This appliance must be installed and the gas cylinder stored in accordance with the regulations in force;

- Do not obstruct the ventilation holes of the cylinder housing;
- Do not move the appliance when in operation;
- Shut off the valve at the gas cylinder or the regulator before moving the appliance;
- The tubing or the flexible hose must be changed within the prescribed intervals;
- Use only the type of gas and the type of cylinder specified by the manufacturer;
- Do not use the appliance in big wind weather. It is advisable to fit the dress guard available from the manufacturer. Failure to fit this dress guard will result in a potential hazard to clothing when approaching the appliance;
- The injector is installed by the manufacturer only. Do not connect the gas cylinder directly to the appliance without regulator.
- Use only the type of gas and the type of cylinder specified in the instructions.
- This appliance is intended for decorative purposes ;
- Not for domestic use!
- These instructions are only valid if the country symbol appears on the instruction manual and on the appliance.

FOR YOUR SAFETY

1. Do not store or use gasoline or other flammable vapors and liquids in the vicinity of this or any other appliance.

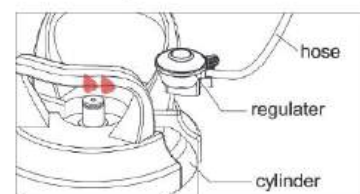
2. An LP cylinder not connected for use shall not be stored in the vicinity of this or any other appliance.



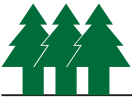
CAUTION

PLEASE READ CAREFULLY THE FOLLOWING SAFETY GUIDELINES BEFORE OPERATION.

- Do not use the fire pit indoors, as it may cause personal injury or property damage.
- This outdoor fire pit is not intended to be installed on recreational vehicles and/or boats.
- Installation and repair should be done by a qualified service person.
- Improper installation adjustment, alteration can cause personal injury or property damage.
- Do not attempt to alter the unit in any manner.
- Never replace or substitute the regulator with any regulator other than the factory suggested replacement.
- Do not store or use gasoline or other flammable vapors or liquids in the heater unit.
- The whole gas system, hose, regulator, pilot or burner should be inspected for leaks or damage before use, and at least annually by a qualified service person.
- All leak tests should be done with a soap solution.
- Never use an open flame to check for leaks.
- Do not use the heater until all connections have been leak tested.
- Turn off the gas valve immediately if smell of gas is detected. Turn Cylinder Valve OFF. If leak is at Hose/ Regulator connection: tighten connection and perform another leak test. If bubbles continue appearing should be returned to hose's place of purchase. If leak is at Regulator/Cylinder Valve connection: disconnect, reconnect, and perform another leak check. If you continue to see bubbles after several attempts, cylinder valve is defective and should be returned to cylinder's place of purchase.
- Do not transport heater while it's operating.
- Do not move the heater after it has been turned off until the temperature has cooled down.
- Keep the ventilation opening of the cylinder enclosure free and clear of debris.
- Do not paint the radiant screen, control panel or top canopy reflector.
- Control compartment, burner and circulation air passageways of the heater must be kept clean. Frequent cleaning may be required as necessary.
- The LP tank should be turned off when the heater is not in use.
- Check the fire pit immediately if any of the following occurs:
 - The fire pit does not reach temperature.
 - The burner makes popping noise during use (a slight noise is normal when the burner is extinguished).
 - Smell of gas in conjunction with extreme yellow tipping of the burner flames.
- The LP regulator/hose assembly must be located out of pathways where people may trip over it or in area where the hose will not be subject to accidental damage.
- Any guard or other protective device removed for servicing the heater must be replaced before operating the fire pit.
- Adults and children should stay away from high temperature surface to avoid burns or clothing ignition.
- Children should be carefully supervised when they are in the area of the fire pit.
- Clothing or other flammable materials should not be hung on the heater or placed on or near the fire pit.
- To change the gas cylinder in an amply ventilated area, away from any ignition source (candle, cigarettes, other flame producing appliances, ...);
- To check that the regulator seal is correctly fit and able to fulfill its function showed as photo right;
- To not obstruct the ventilation holes of the cylinder housing;
- To close the gas supply at the valve of the gas cylinder or the regulator after use;
- In the event of gas leakage, the appliance shall not be used or if alight, the gas supply shall be shut off and the appliance shall be investigated and rectified before it is used again;
- To check the hose at least once per month, each time the cylinder is changed, or each time before long time no use. If it shows signs of cracking, splitting or other deterioration it shall be exchanged for new hose of the same length and of the equivalent quality;
- The use of this appliance in enclosed areas can be dangerous and is PROHIBITED;
- Read the instructions before using this appliance. The appliance must be installed in accordance with the instructions and local regulations.
- For connection of hose and regulator, and connection of regulator and hose, please refer to photo showed above.



Hose/Regulator connection and Regulator/Cylinder connection



Do Not use this appliance with an adjustable regulator. We suggest use this appliance with LPG cylinder of 5KG. The maximum diameter and the maximum height of the cylinder is 380mm and 450mm as shown in (Fig.1).

Pay attention when put the cylinder to the cylinder hole, ensure the hose connect to the cylinder not touch the hot surface. Keep the cylinder in place during operation. Never put spare cylinder in the same cylinder enclosure. Never block the way of shutting off the cylinder valve.

Warning: Shut off the gas cylinder when you smell gas.

1: maximum diameter
2: maximum height

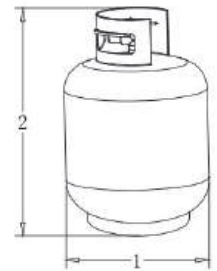


Fig.1

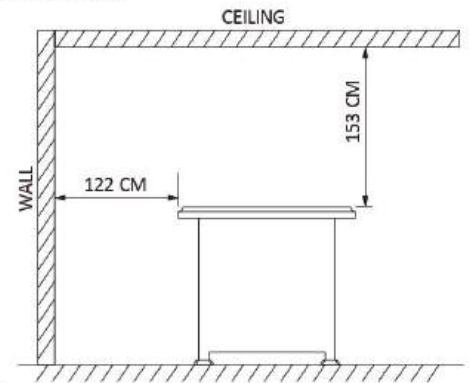
The hose assembly must be replaced prior to the appliance being put into operation if there is evidence of excessive abrasion or wear or if the hose is damaged. The replacement hose assembly shall be specified by the manufacturer.

- Do not attempt to disconnect the gas cylinder or any gas fitting while your appliance is in operation.
- The propane gas supply cylinder to be used must be:
Constructed and marked in accordance with the U.S. Department of Transportation (D.O.T) Specifications for LP-Gas cylinders, or the Standard for Cylinders, Spheres, and Tubes for Transportation of Dangerous Goods and Commission, CAN/CSA-B339, as applicable;
Provided with a listed overfilling prevention device; and
The propane gas cylinder must be arranged for vapor withdrawal.
NEVER use a propane gas cylinder with a damaged body, cylinder valve, collar or footing.
Dented or rusted propane gas cylinder may be hazardous and should be checked by your cylinder supplier prior to use.
The propane cylinder should NOT be dropped or handled roughly.
The propane cylinder must be stored outdoors, out of the reach of children and must NOT be stored in a building, garage or any other enclosed area.
Do not insert any tool or foreign object into the cylinder valve outlet or safety relief valve. You may damage the cylinder valve and cause a leak. Leaking propane may result in explosion, fire, severe personal injury or death.
Never keep a propane cylinder in a hot car or trunk. Heat will cause the gas pressure to increase, which may open the relief valve and allow gas to escape.
Place the dust cap on the cylinder valve outlet whenever the cylinder is not in use. Only install the type of dust cap on the cylinder valve outlet that is provided with the cylinder valve. Other types of caps or plugs may result in leakage of propane.
DO NOT store a space propane cylinder under or near this appliance.
Disconnect the cylinder when the appliance is not being used.
NEVER fill the cylinder beyond 80 percent full.
Other cylinder may be acceptable for use with this appliance provided they have the same profile and dimension to be compatible with the appliance nesting hole and retention means.



HEATER STAND AND LOCATION

- The heater is primarily for outdoor use only. Always ensure that adequate fresh air ventilation is provided.
- Always maintain proper clearance to combustible materials, i.e. top 153 cm and sides 122 cm minimum.
- Heater must be placed on level firm ground.
- Never operate heater in an explosive atmosphere like in areas where gasoline or other flammable liquids or vapors are stored.



GAS REQUIREMENTS

- Use propane, butane or their mixtures gas only.
- The pressure regulator and hose assembly to be used must conform to local standard codes.
- The installation must conform to local codes, or in the absence of local codes, with the standard for the storage and handling of liquid petroleum gases.
- A dented, rusted or damaged tank may be hazardous and should be checked by your tank supplier. Never use a tank with a damaged valve connection.
- The tank must be arranged to provide for vapor withdrawal from the operating cylinder.
- Never connect an unregulated tank to the heater.

LEAKAGE TEST

Gas connections on the heater are leak tested at the factory prior to shipment. A complete gas tightness check must be performed at the installation site due to possible mishandling in shipment or excessive pressure being applied to the heater.

- Make a soap solution of one part liquid detergent and one part water, The soap solution can be applied with a spray bottle, brush or rag. Soap bubbles will appear in case of a leak.
- The heater must be checked with a full cylinder.
- Make sure the safety control valve is in the OFF position.
- Turn the gas supply ON.
- In case of a leak, turn off the gas supply. Tighten any leaking fittings, then turn the gas supply on and re-check.
- Never leak test while smoking.



OPERATION AND STORAGE

Warning: User shall pour lava rocks fully to cover the whole burner before operation.

TO TURN ON THE FIRE PIT

1. Turn the control knob to the "OFF" position (Figure a).
2. Fully open LP cylinder valve.

Note: For initial start or after any cylinder change, hold Control Knob IN for 10 seconds to purge air from gas lines before proceeding.

3. Push in gas control knob and turn counterclockwise to "IGNITER"(Figure b) to light the fire pit. If needed, keep pressing and turning control knob counterclockwise until the heater lights (You should hear a clicking sound).
4. After fire pit lights, release control knob. Push in and turn the control knob to the "HIGH"(Figure c), then release control knob. If you want a lower temperature, push in the control knob and turn clockwise to the "LOW". Note: If burner fails to remain lit, all valves should be closed and a waiting period of at least 5 minutes should pass before attempting to light.

TO TURN OFF THE FIRE PIT

1. To extinguish burner depress control knob and continue to turn it clockwise to OFF.
2. Turn cylinder valve clockwise to OFF and disconnect regulator when fire pit is not in use.

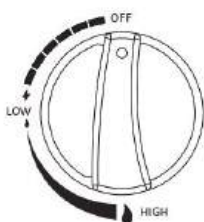


Figure a

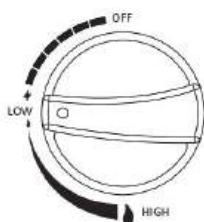


Figure b

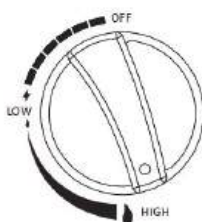
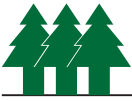


Figure c

OFF: the heater stop work
HIGH: maximum temperature position
LOW: minimum temperature position

Storage

1. Always close the gas valve of the gas cylinder after use or in case of a disturbance.
2. Remove the pressure controller and the hose.
3. Check the tightness of the gas valve and for damage. If you suspect a damage, have it changed by your gas dealer.
4. Never store liquid gas cylinder in a sub-terrain, or at places without adequate air ventilation.



A. Construction and characteristics

- Transportable terrace/fire pit with tank housing
- Casing in steel with powder-coating or stainless steel.
- Gas hose connections with metal clamp

B. Specifications

- Use propane, butane or their mixtures gas only.
 - Max. wattage: 55000 BTU/Hr (16.12 KW)
 - Consumption:
-
- The hose and regulator assembly must conform to local standard codes.
 - Regulator outlet pressure should meet the corresponding appliance category in B. Specification.
 - The appliance requires approved hose in 0.7m length.

The instructions accompanying the appliance shall include the following;

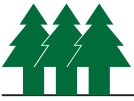
a)When an appliance is for connection to a fixed piping system,the installation must conform with local codes,or in the absence of local codes with the National Fuel Gas Code,ANSI Z223.1•NFPA 54;National Fuel Gas Code;Natural Gas and Propane Installation Code,CSA B149.1;or Propane Storage and Handling Code,CSA B149.2,as applicable;

b)A statement that solid fuels shall not be burned in this appliance;

c)The minimum inlet gas supply pressure: 25 Psi;

d)The maximum inlet gas supply pressure: 250 Psi;

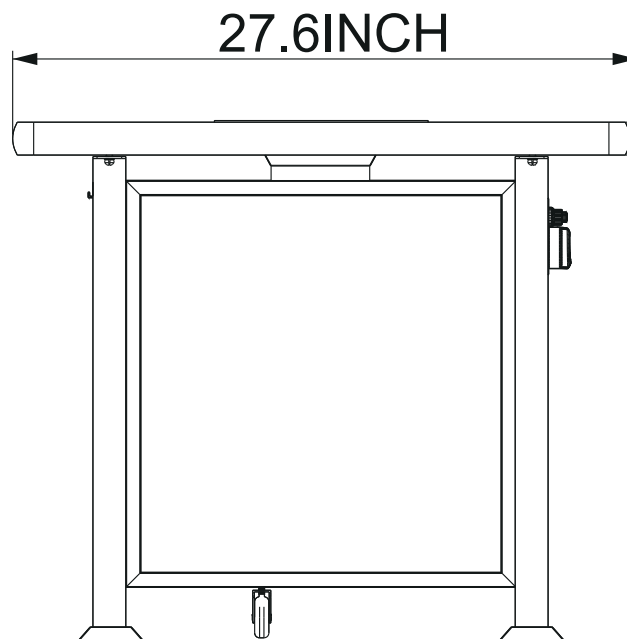
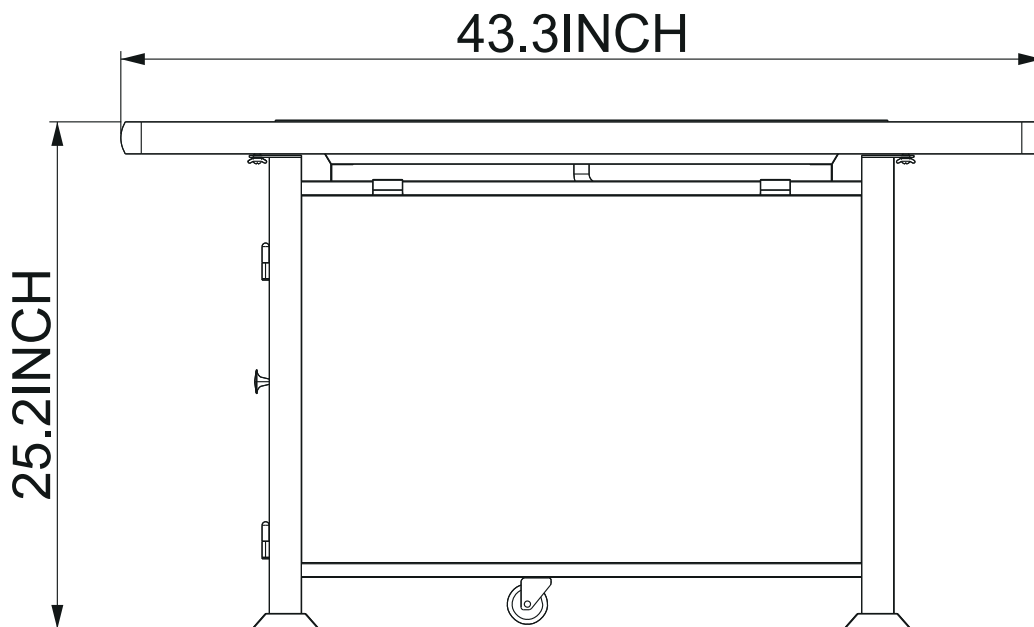
Instructions to keep the appliance area clear and free from combustible materials,gasoline,and other flammable vapors and liquids;

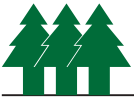


CLEANING AND CARE

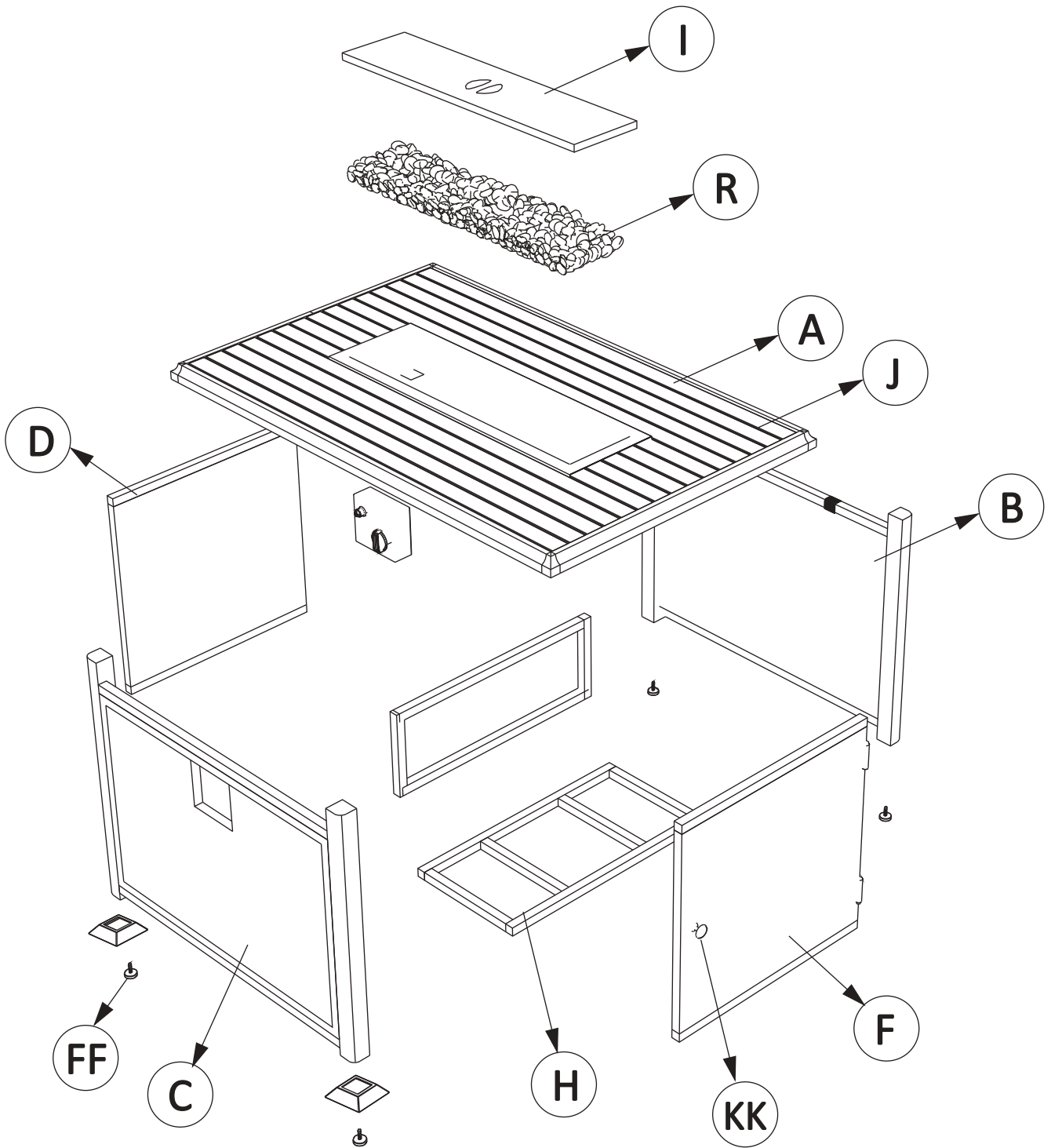
- Wipe off powder coated surfaces with soft, moist rag. Do not clean the heater with cleaners that are combustible or corrosive.
- Remove debris from the burner to keep it clean and safe for use.
- Cover the burner unit with the optional protective cover when the heater is not in use.

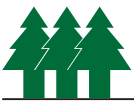
PARTS AND SPECIFICATIONS



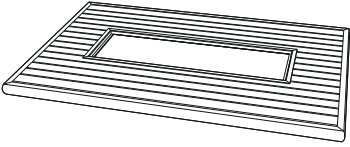
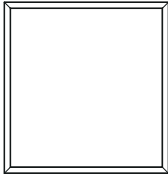
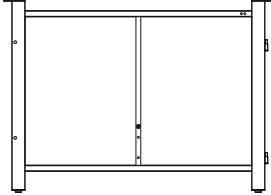
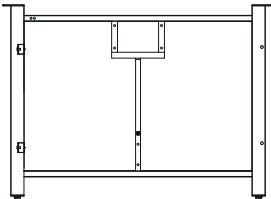
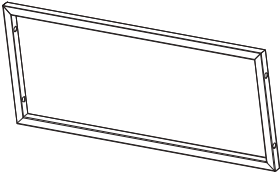
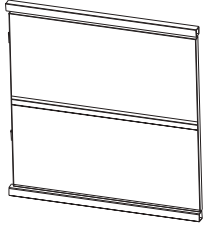
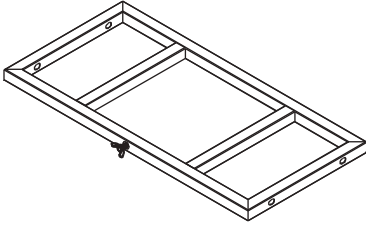

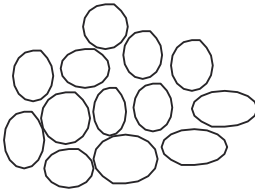
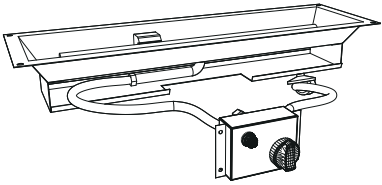
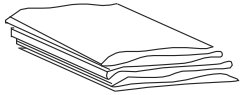


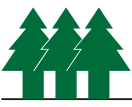
ASSEMBLY PARTS



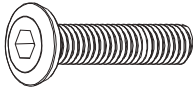
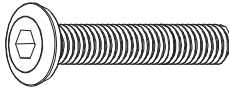
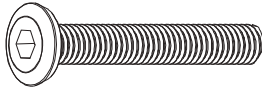
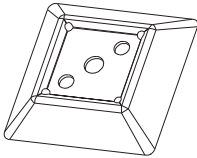
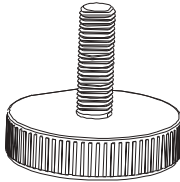

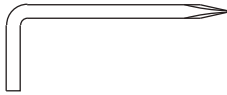
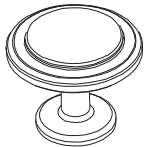
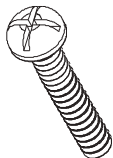


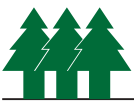
PARTS LIST

A × 1 	B × 1 	C × 1 
Table Top	Rear Panel	Right Side Panel
D × 1 	E × 1 	F × 1 
Left Side Panel	Stiffener Panel	Front Panel
G × 1 	H × 1 	I × 1 
Gas Cylinder Base	Burner Cover	Glass Stones
J × 1 	K × 1 	
Burner	Cover	



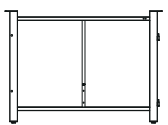
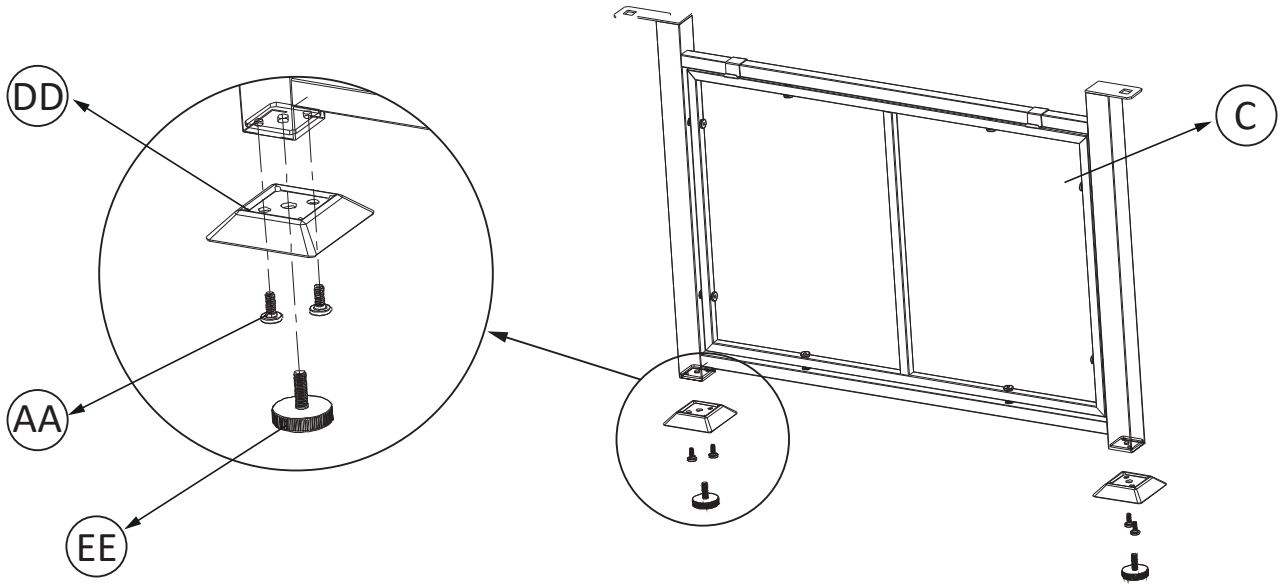
Screw Set

<p>(AA) × 20</p> 	<p>(BB) × 4</p> 	<p>(CC) × 4</p> 
<p>M6 × 15</p>	<p>M6 × 25</p>	<p>M6 × 30</p>
<p>(DD) × 4</p> 	<p>(EE) × 5</p> 	<p>(FF) × 12</p> 
<p>Leg Cover</p>	<p>Adjustable Screw</p>	<p>M6*Φ16 Gasket</p>
<p>(GG) × 4</p> 	<p>(HH) × 1</p> 	<p>(II) × 1</p> 
<p>M6*Φ24 Gasket</p>	<p>Spanner</p>	<p>Door Handle</p>
<p>(JJ) × 1</p> 	<p>WARNING: Failure to locate parts in accordance with these diagrams, or failure to use special parts provided with this equipment, may result in property damage or personal injury.</p>	
<p>M4 × 22</p>		

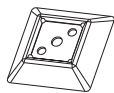


Step 1

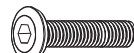
As shown in the figure below, please align the holes at the bottom of (DD) and (C) and tighten them with screws (AA), and after tightening, tighten (EE).



(C) × 1



(DD) × 2



(AA) × 4

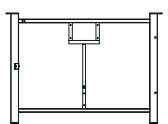
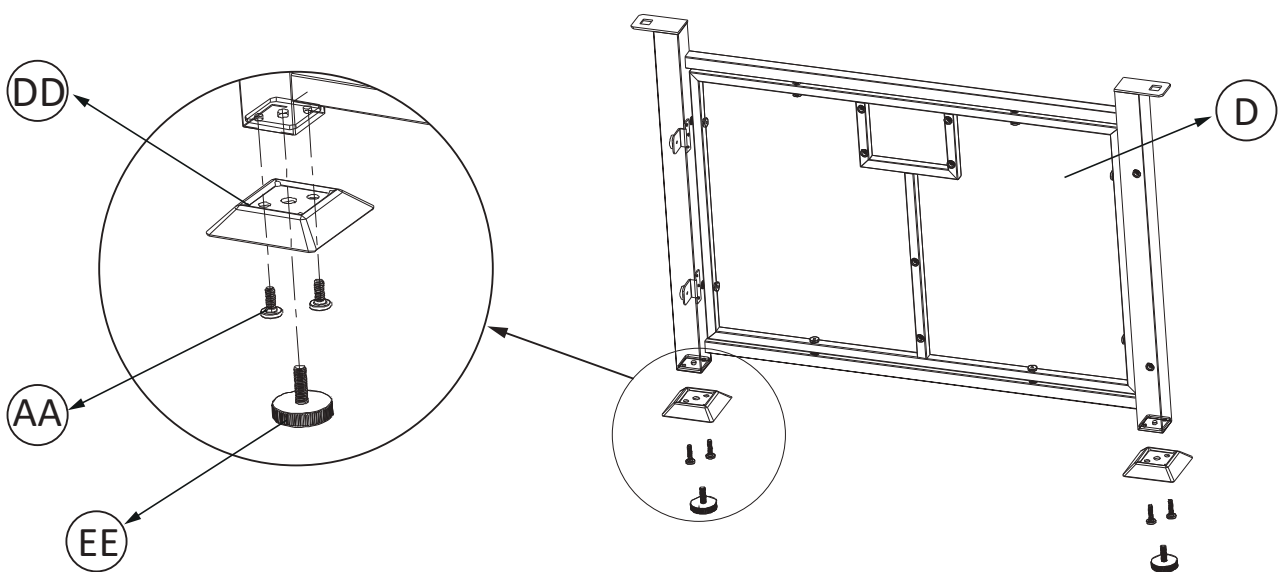
M6 × 15



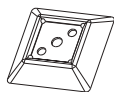
(EE) × 2

Step 2

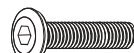
Follow the same steps to assemble (D) as well.



(D) × 1



(DD) × 2

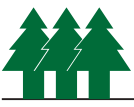


(AA) × 4

M6 × 15

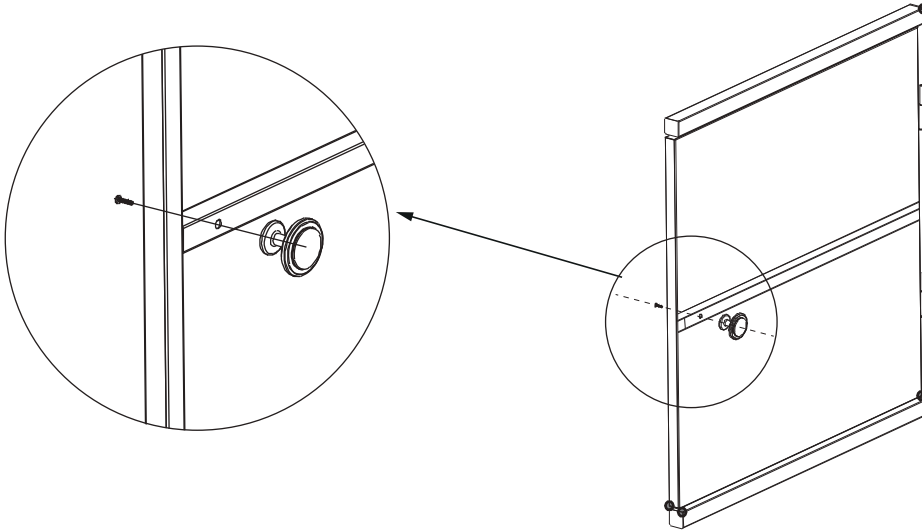


(EE) × 2



Step 3

Pass the M4*22 screw (JJ) through the middle hole of the doorpanel (F), and tighten it with the handle (II) on the other side.

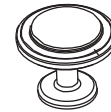


(F) × 1



M4 × 22

(JJ) × 1

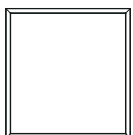
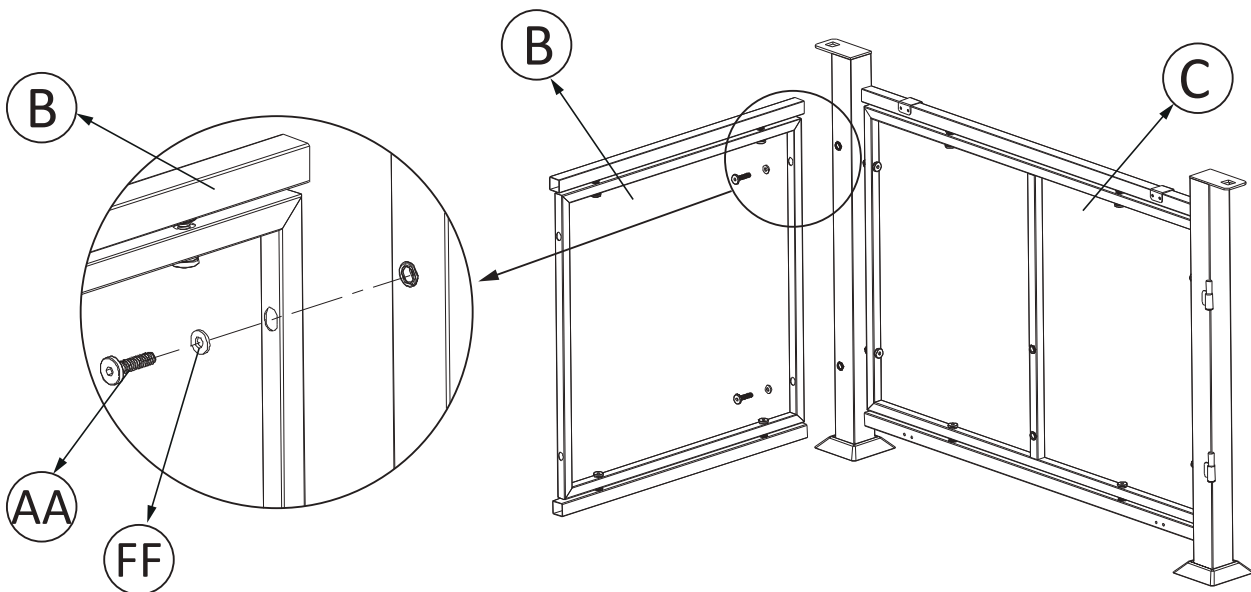


(II) × 1

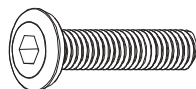
Step 4

Attach (B) to the side of (C) that has threaded holes as shown in the figure, and use bolts (AA) to set into (FF) for installation.

NOTE: Don't tighten it.



(B) × 1

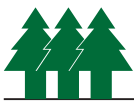


M6 × 15

(AA) × 2



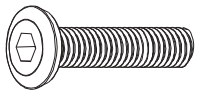
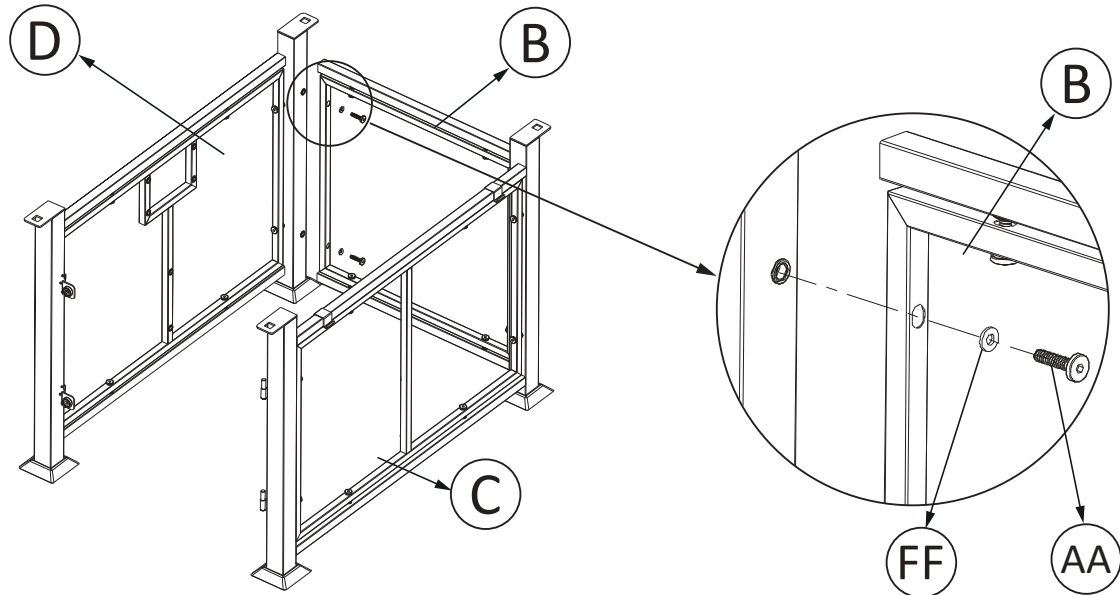
(FF) × 2



Step 5

Same installation steps as in the previous step.

NOTE: Don't tighten it.

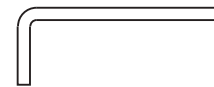


M6 × 15

AA × 2



FF × 2

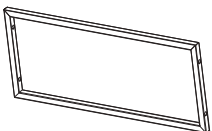
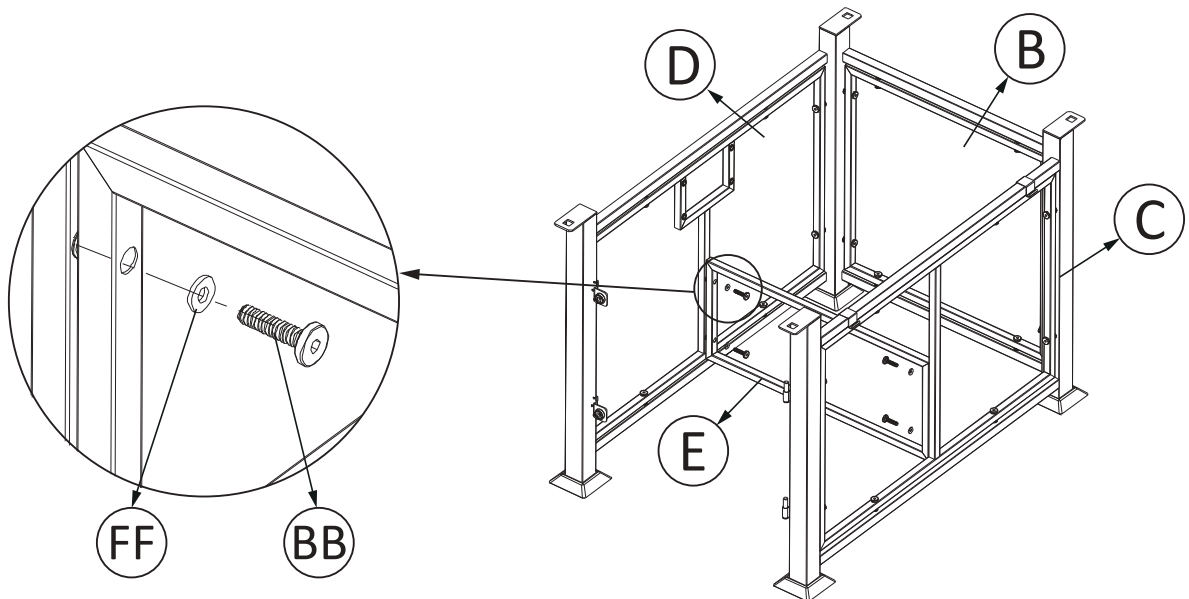


HH × 1

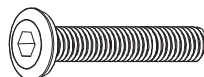
Step 6

Install (E) on the lower side of (D) and (C), using bolts (BB) set into (FF).

Note: Tighten all bolts of the bolts at this time.



E × 1

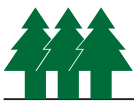


M6 × 25

BB × 4

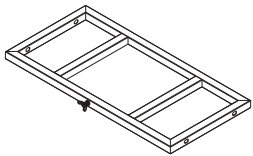
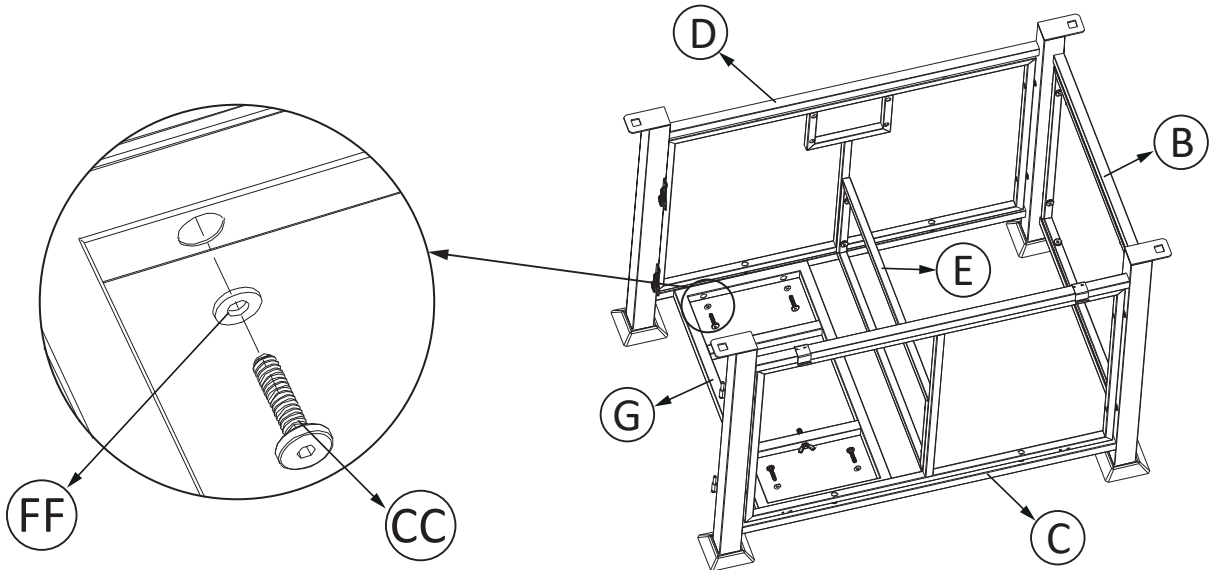


FF × 4

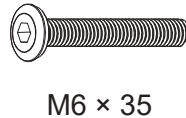


Step 7

Align (G) with the lower holes of (C) and (D), then tighten using the bolts (CC) inserted into (FF).
Note: Do not tighten the bolts.



(G) × 1



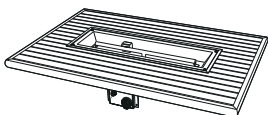
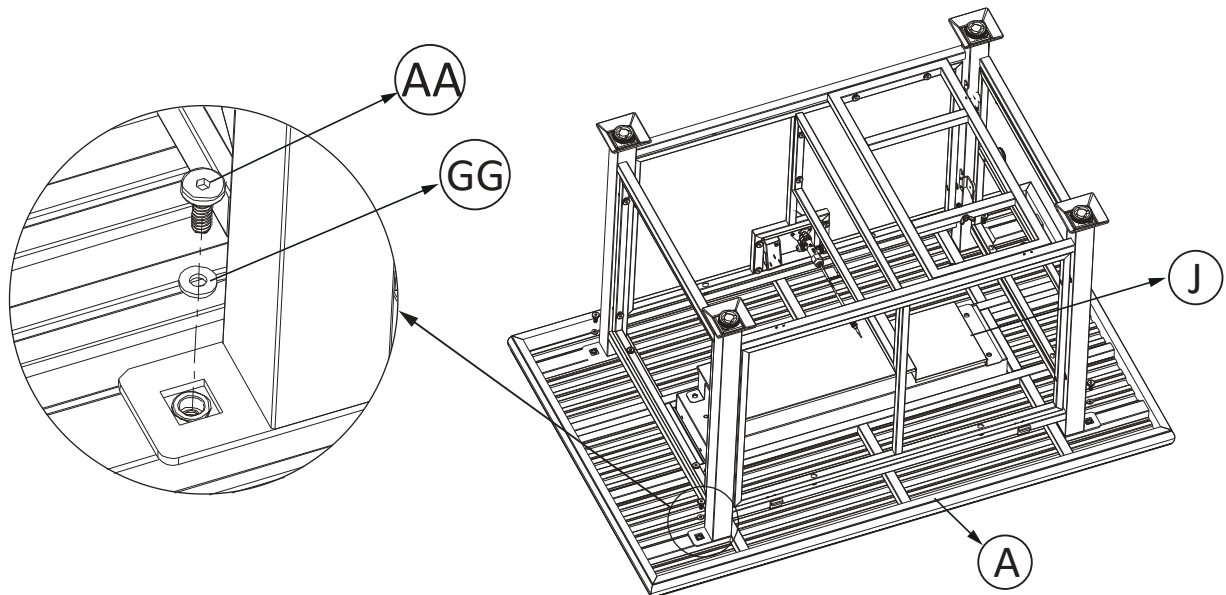
(CC) × 4



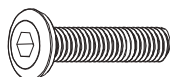
(FF) × 4

Step 8

Place the (A)+(J) combination desktop flat on the carpet, then install the mounted lower frame, upside down, on the back of the (A)+(J), align the holes, and tighten using the bolts (AA) set into the (GG).
Note: The tabletop should be placed on a carpeted surface; direct contact with the floor will cause the surface paint to scratch off.



(A) + (J) × 1

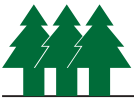


M6 × 15

(AA) × 4

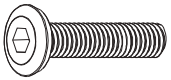
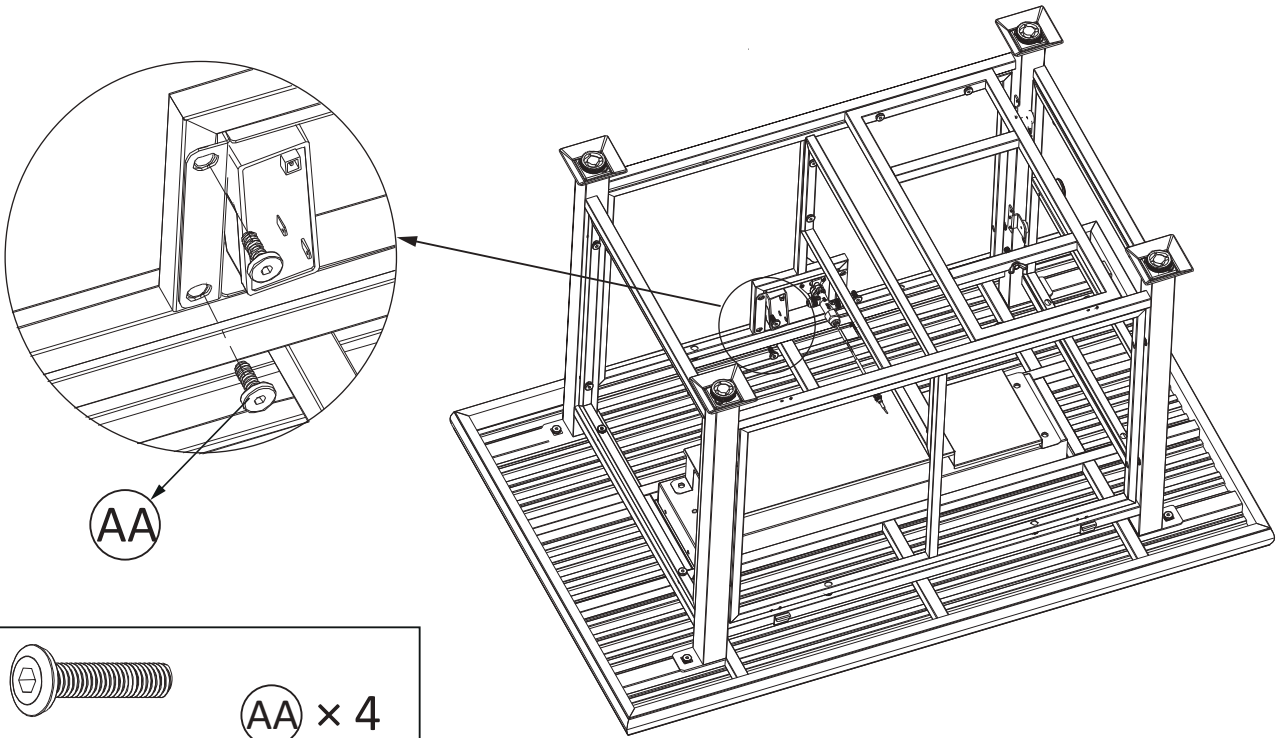


(GG) × 4



Step 9

Align the holes on both sides of the console in (J) with the holes on both sides of the notch in (D) and tighten using the bolts (AA).

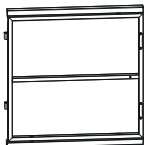
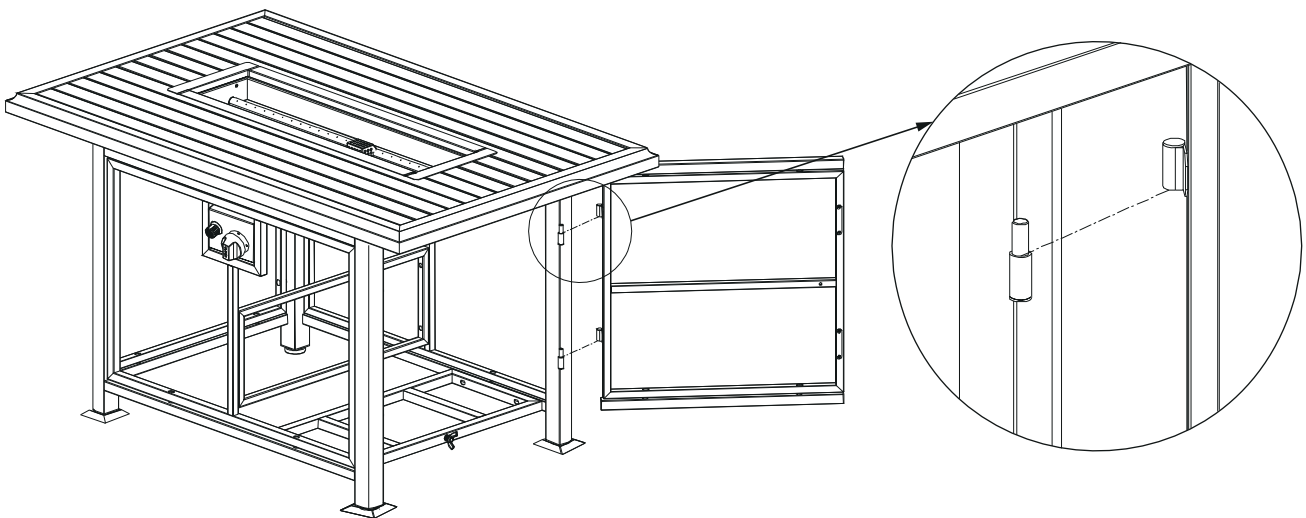


M6 × 15

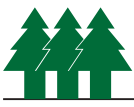
(AA) × 4

Step 10

Engage the clips on the side of the door panel (F) with the clips on one side of panel (C) both at the top and bottom to complete the door installation.

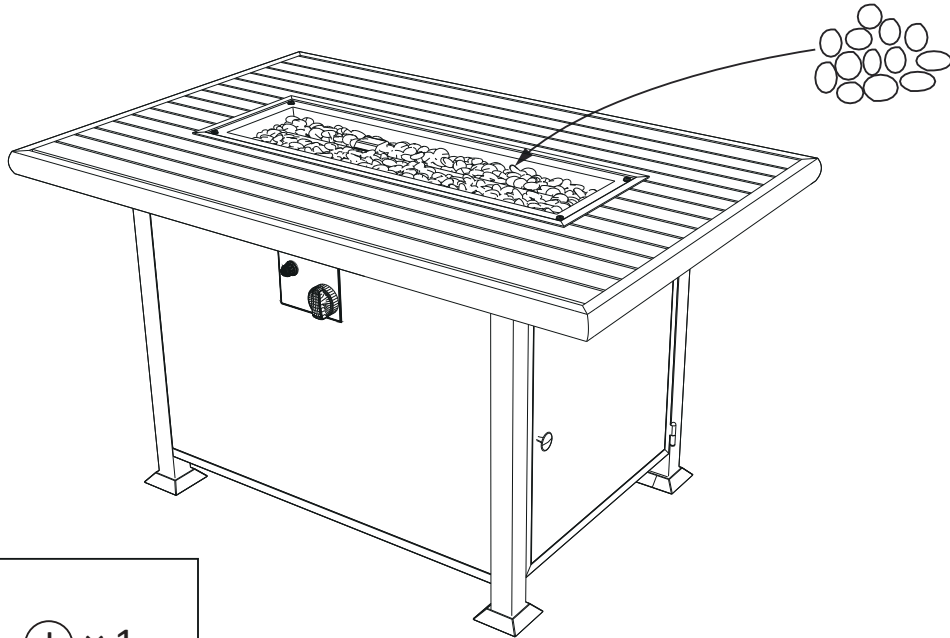


(F) × 1



Step 11

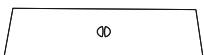
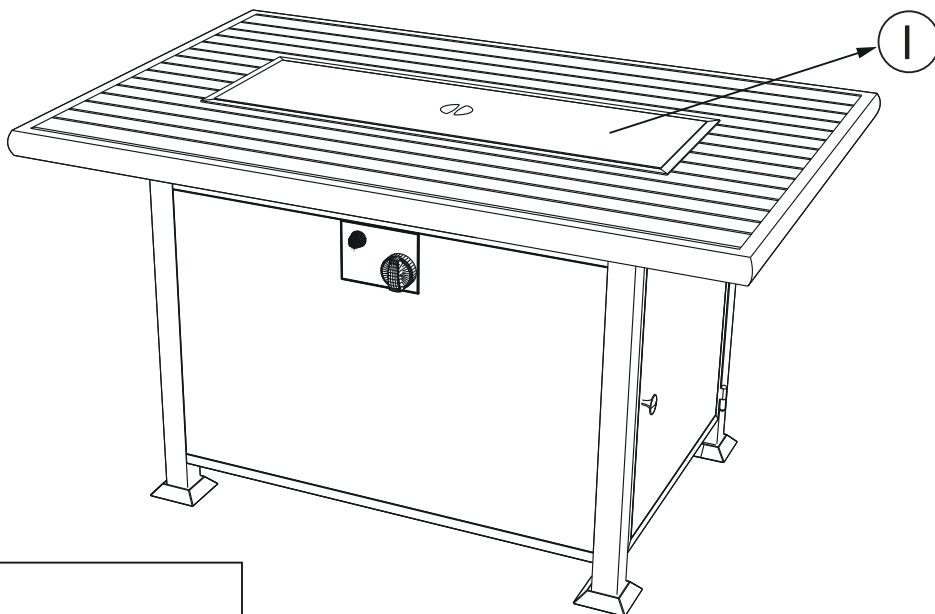
Place the glass stone (I) in (J) and lay it evenly flat.



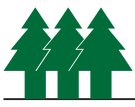
(I) × 1

Step 12

(H) can be placed on (J) or hung on the back side of (B).

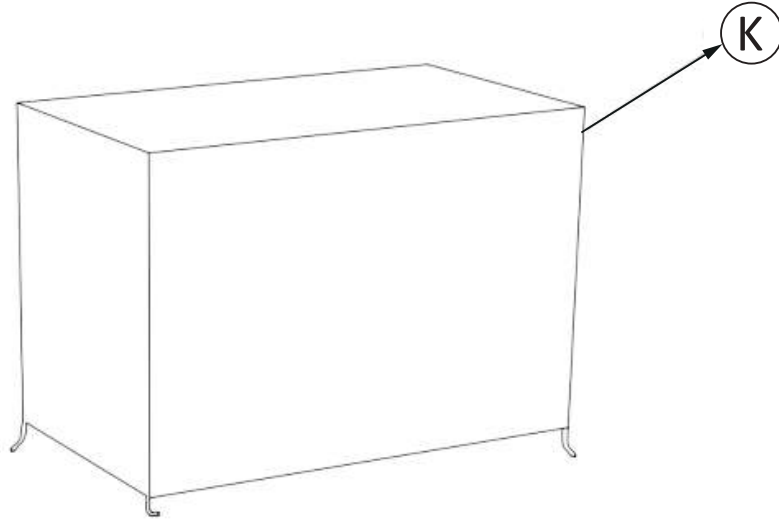


(H) × 1

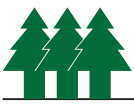


Step 13

NOTE:We recommend the use of furniture covers to protect the patio fire pit when not in use;
Please remove the wind guard before you use waterproof table cover.



Ⓚ × 1



CLEANING AND MAINTENANCE

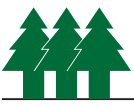
- Clean frame with mild soapy water, rinse thoroughly.
- Dry frame parts completely. Do not use bleach, acid, or other solvents on the fabric and metal parts.
- We recommend the use of furniture covers to protect the patio fire pit when not in use.
- Inspect and tighten all bolts on a regular basis to ensure proper performance and safety.
- In order to prolong the life and beauty of your patio fire pit table, we recommend storing it in a dry and protective area during off season periods.

PROBLEMS CHECK LIST

PROBLEM	PROBABLE CAUSE	SOLUTION
Burner will not light	Pressure is low	Tank near empty Refill LPG tank.
	Opening blocked	Remove and clean
	Control not ON	Turn valve to ON
	Thermocouple bad	Replace thermocouple
	Pilot light assembly bent	Place pilot properly
	Not in correct location	Position properly and retry

If the appliance is in case of any defaults or problems of assembly or use, please don't try to modify it by yourself. Contact with:

Scan the QR code on the last page.



NO NEED TO WORRY ABOUT QUALITY - This propane fire pit table is made of new off-white gradient wicker made of high-density polyethylene with a thickened stainless steel frame to make it more stylish and durable for any weather. Suitable for any weather. Provide enough warm and romantic campfire atmosphere for your family and friends. Provide enough warm and romantic campfire atmosphere for your family and friends.

MULTIFUNCTIONAL FIREPOT - This fire pit table measures 43.3 “L x 27.6” W x 25.2 “H. This proper size is enough for eight people to sit around and keep warm. With the lid on, it can also be used as a coffee table and dining table. The stylish look can be used with a variety of outdoor sofas to spice up your garden, patio, dining room and yard. Add color to your garden, patio, deck and balcony.

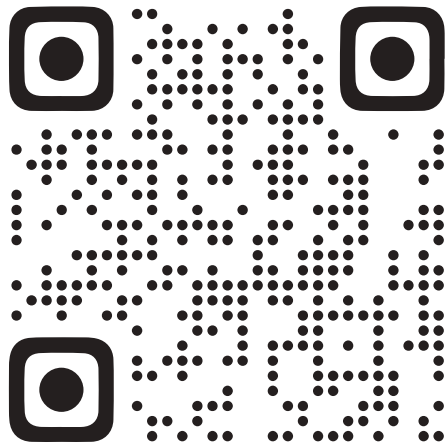
FREE FOR YOU- We will give you windproof glass, fire glass, Waterproof and sun-proof table cover, lid, instruction manual and 1 package of parts for free. You can put about five kilograms of propane gas into the gas tank, which is enough to burn for weeks. You can use fire glass to create a different flame, invite friends to a smoke-free, warm and romantic bonfire party!

CUSTOMER SERVICE & GUARANTEE- We offer you 12-month quality assurance. If you have any questions about this fire pit table, please feel free to contact us. Our customer service team will respond within 24 hours. Thank you.

Hangzhou Sankesong International Trade Co., Ltd

Room 410, Building 1, No. 519 Baiyang Street Oiantang District, Hangzhou City, Zhejiang, CN, 310000

Questions, problems, missing parts? Do not hesitate to contact our customer service before returning the item.



Scan the QR code to learn more about our product.