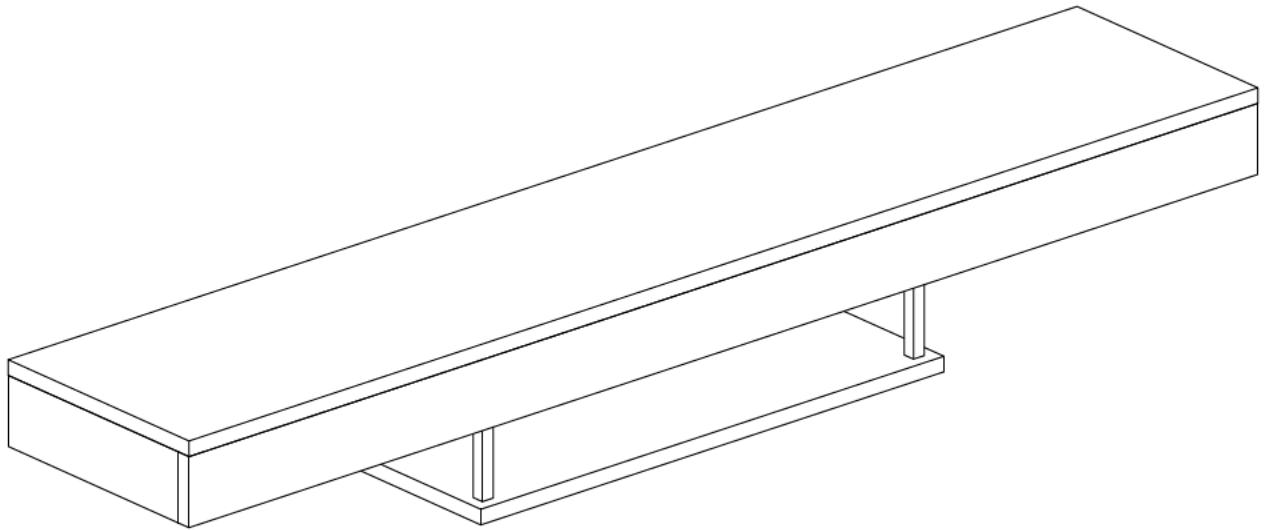
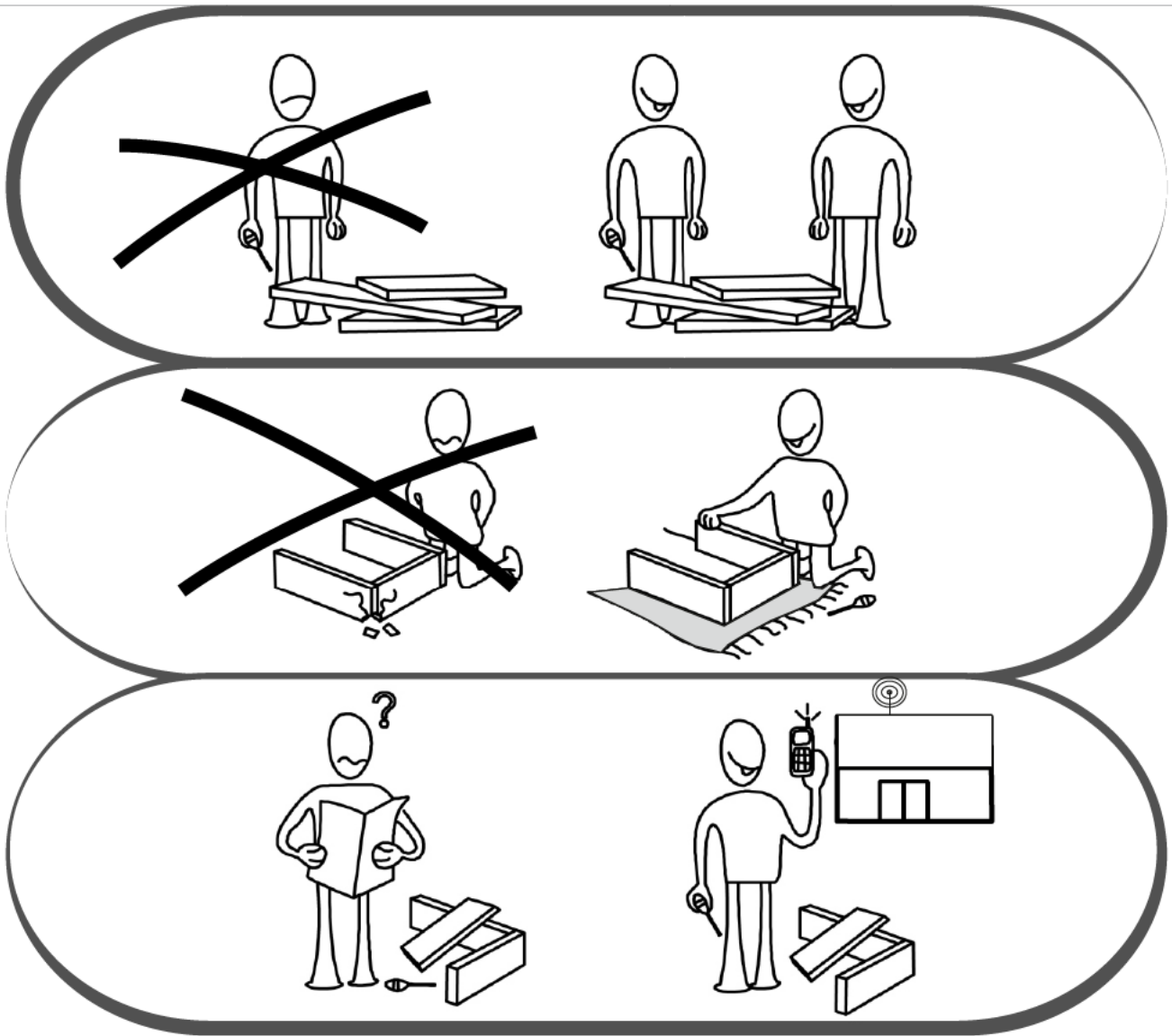


TV STAND

ASSEMBLY MANUEL



In order to provide better service to you again and gain to the production process of the use of non-recycled waste material support, please let us ... Let us preserve the environment for a better WORLD... Thank you for choosing us :)



Dear Customer,

The product you bought was subjected to all sorts of tests and control before sending out to you. Even in this situation, sometimes happen that some component is damaged during the transportation. In such case please do not send the whole article back to us. Just request/order the damaged part. While requesting the required part, describe it exactly by looking to service card. Missing part will be sent to you as soon as possible. Before start assembling, please check the whole components and accessories according to the lists. After being sure that every part and accessory are okay and right, start assembling. Before start assembling, please clean all the components with a damp cloth. If you bought more than one product, to prevent confusion be sure that you completed the first product. Then start the other product's assembling. Never draw the products. While carrying, disassociate and lift the product and carry with minimum 2 people. For long distances carry the product with the package.

It is very easy to clean the surfaces of your product. It is enough to wipe with a damp and soapy cloth or other household cleaners. Do not directly contact your furniture with excessive heat, cold and humidity because the product can be affected.

ATTENTION!!

Minifix is the main connection material used in products.
Before starting assembly, please check the drawings below...

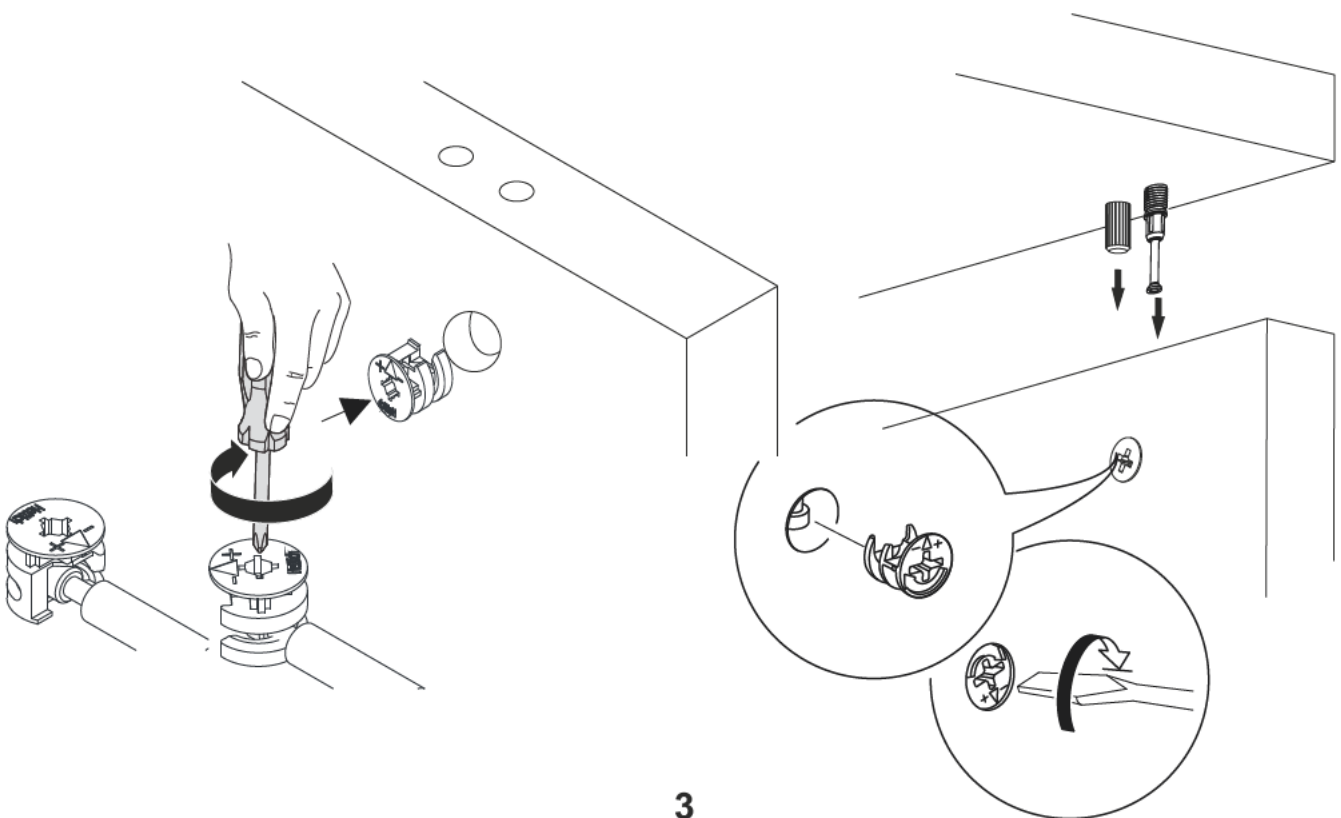
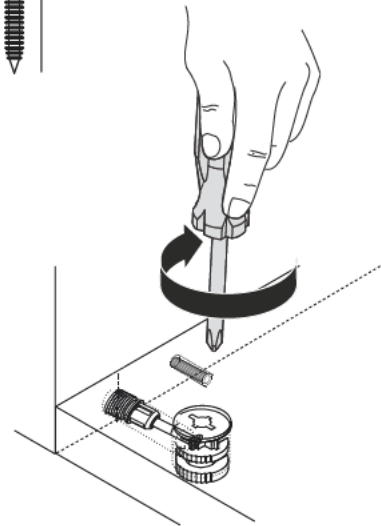
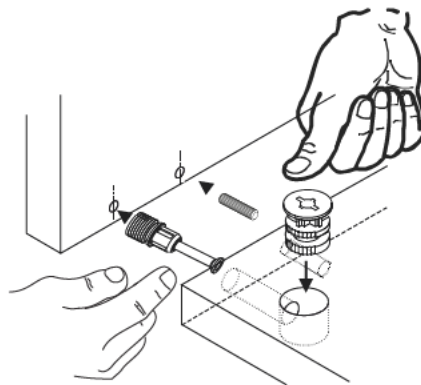
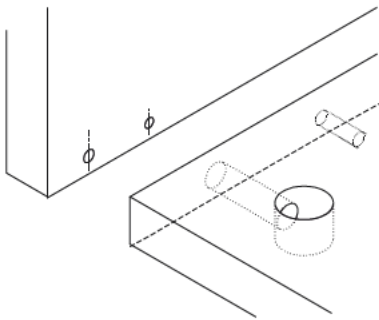
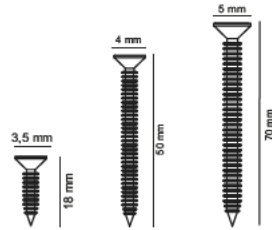
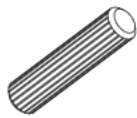
Minifix Körper
Minifix Gövde



Minifix
Minifix Mil



Dübel
Kavela



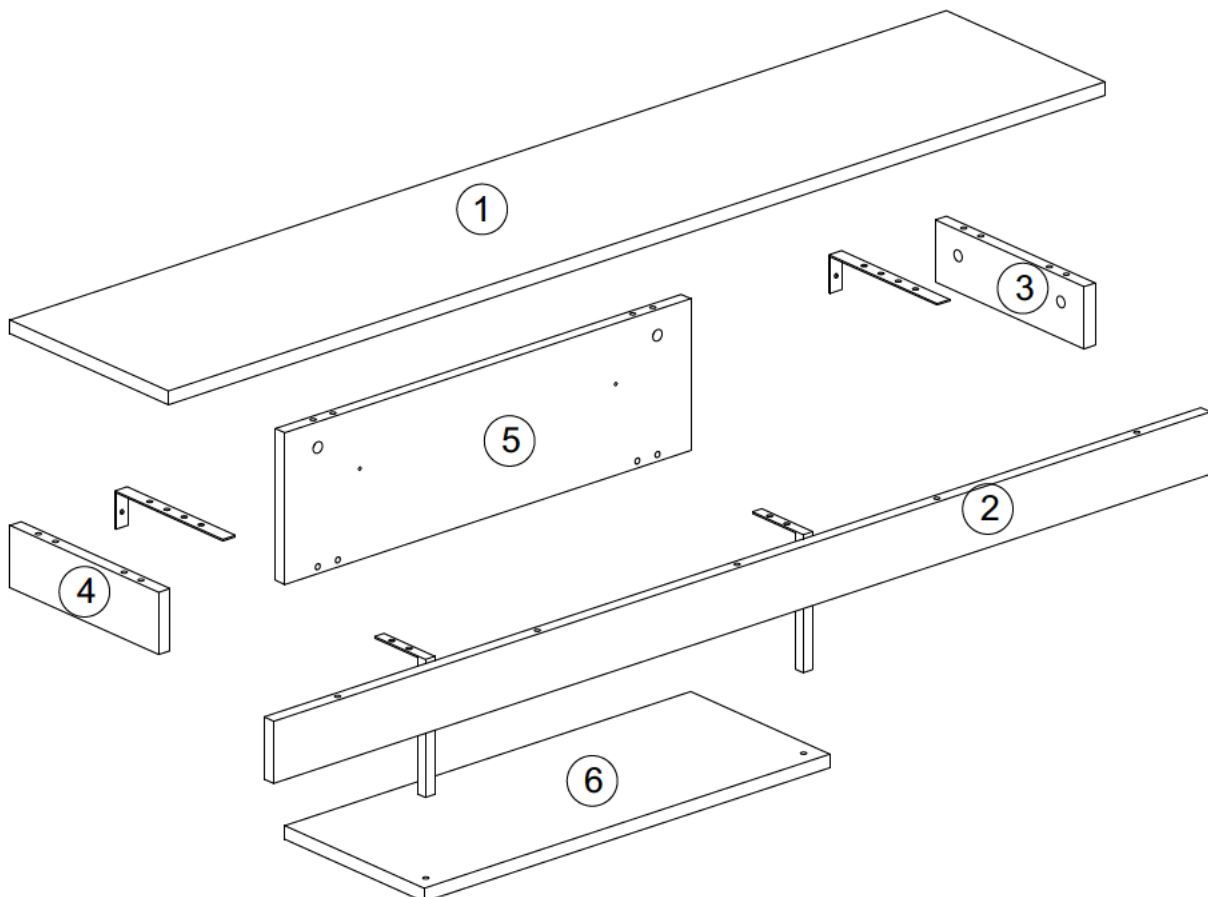


The necessary tools (not included)

ACCESSORY LIST

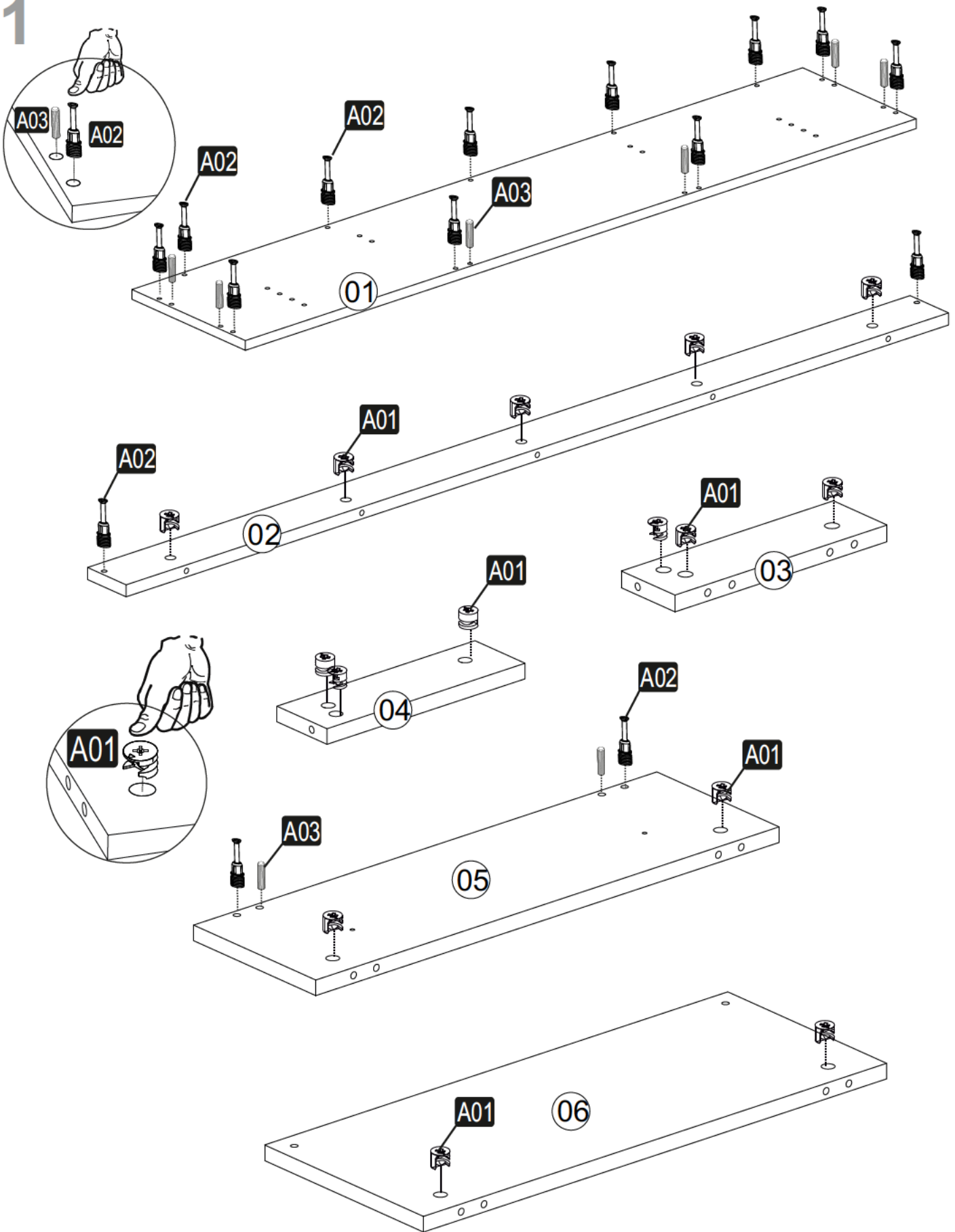
A01 15x	A02 15x	A03 8x	E94 M6x10 YHB SYH 12x	E95 M6x30 SYH 2x
D69 Ø8 Lik Rkt 4x	D41 5x70 YHB 4x	A04 A 15x	D91 DKR-194 H182*15*15 SYH 2x	D92 DKR-195 H200*20*2 SYH 2x
A16 A 2x				

GENERAL VIEW

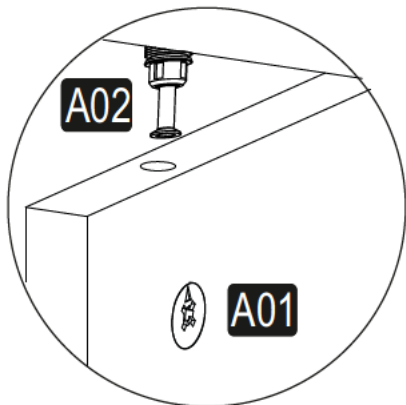
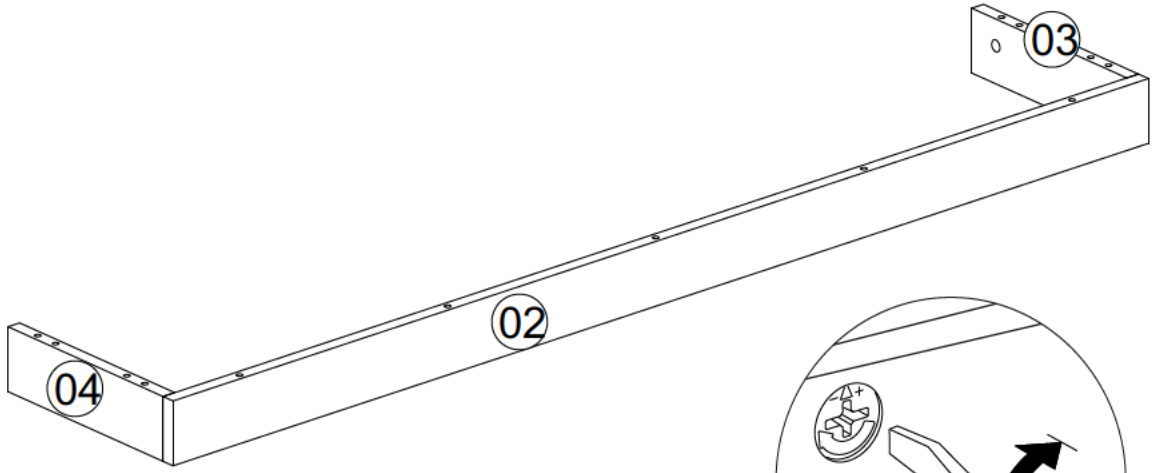


ASSEMBLY MANUAL

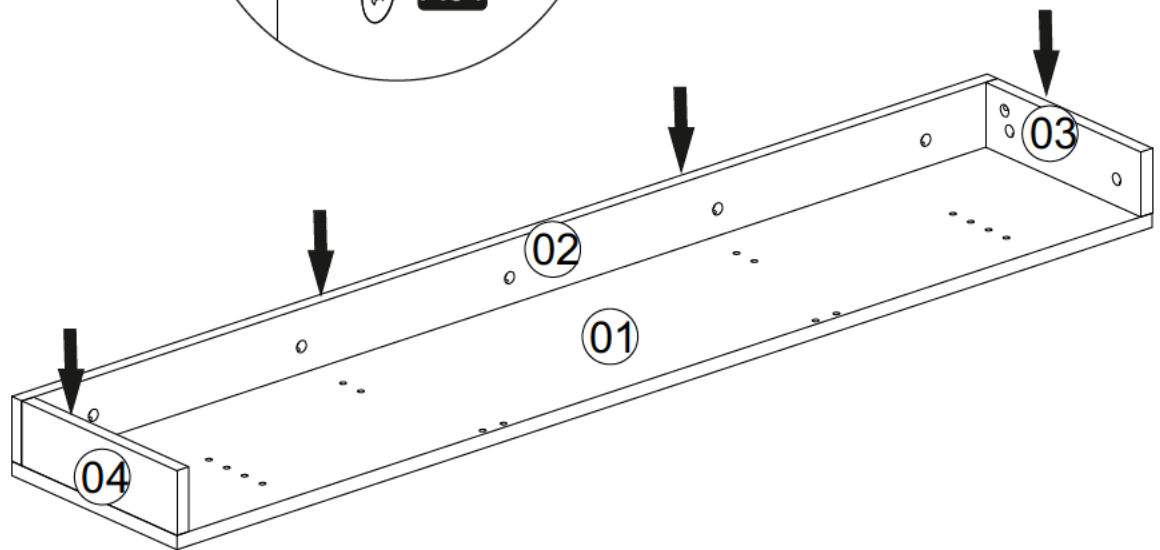
1



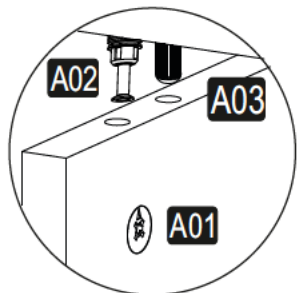
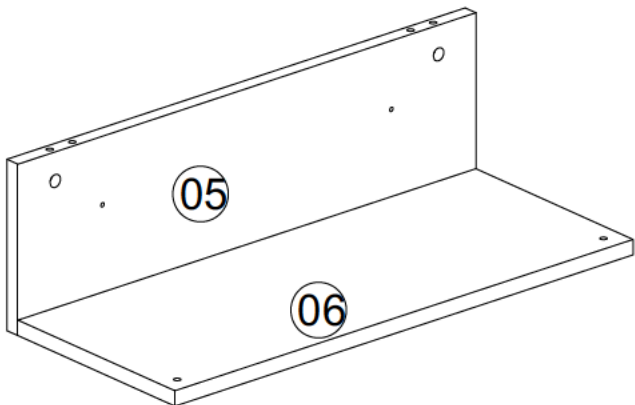
2



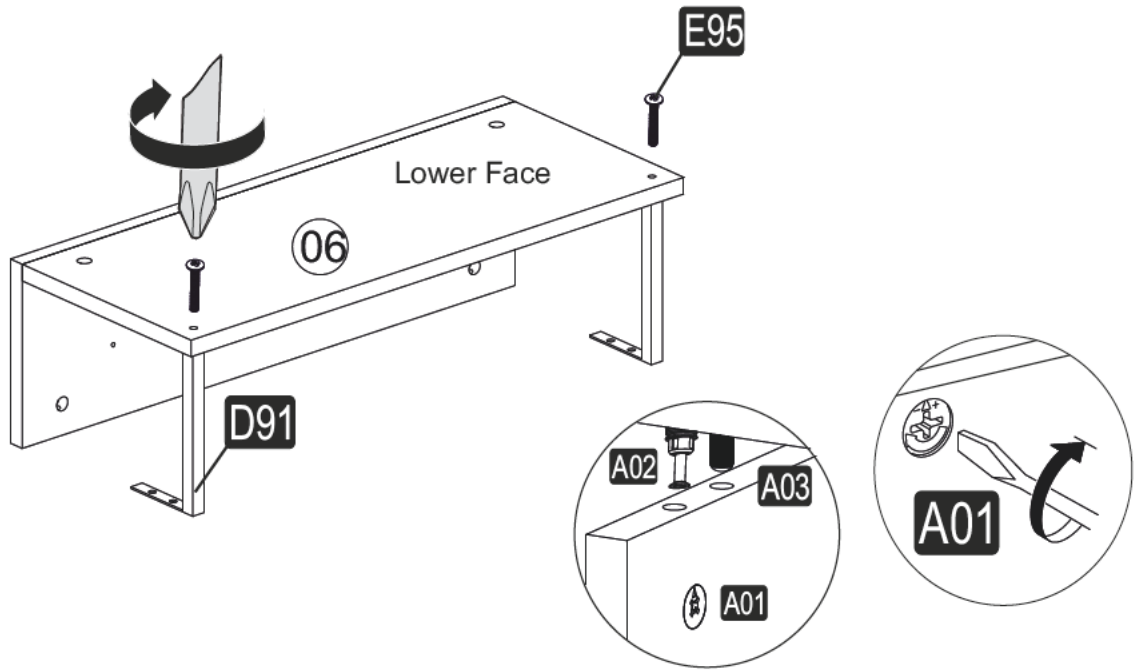
3



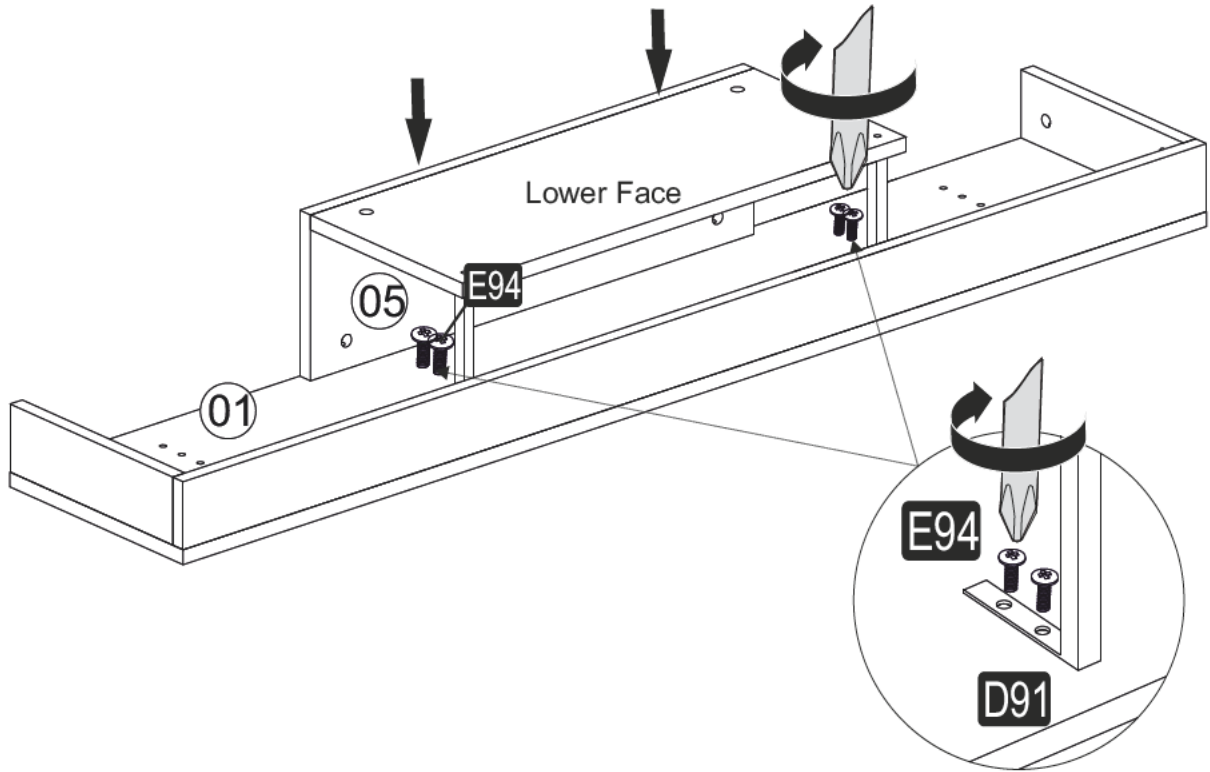
4



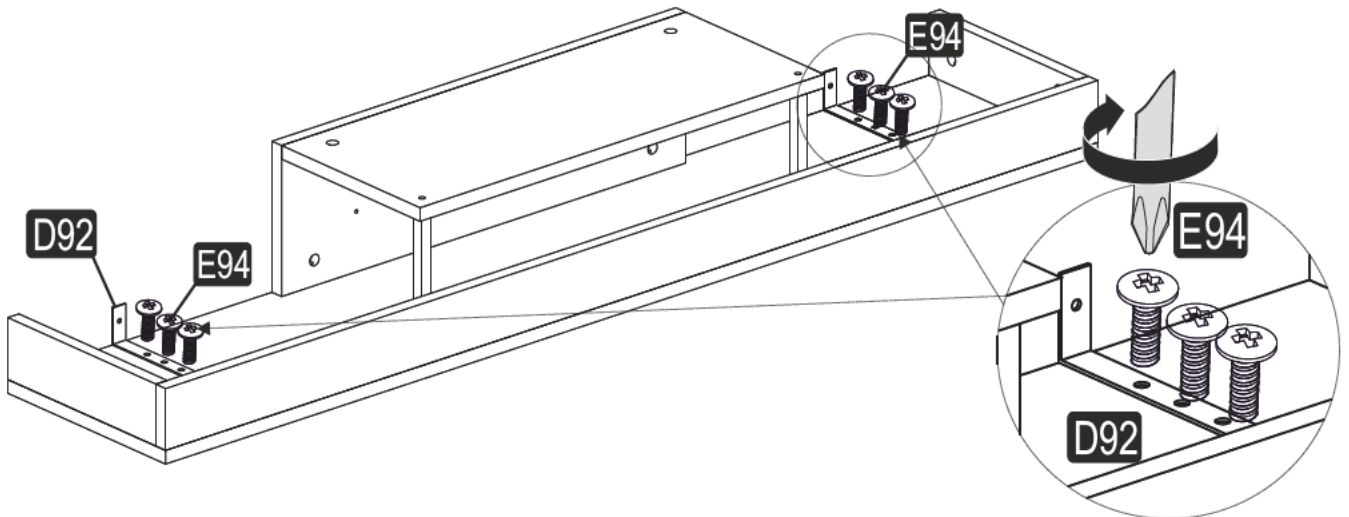
5

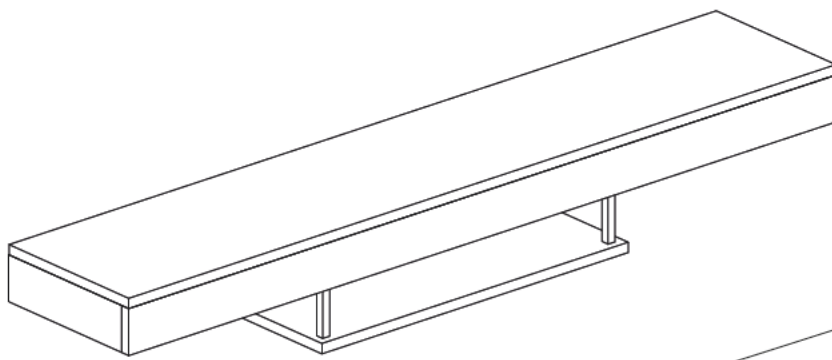


6

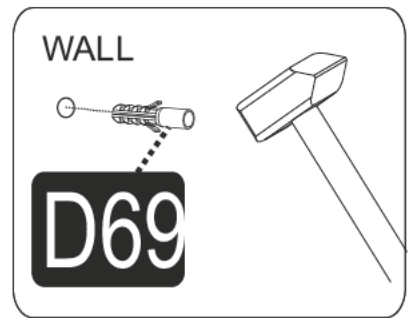
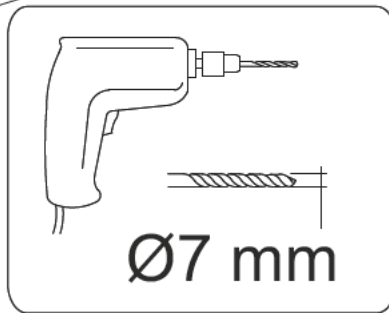


7

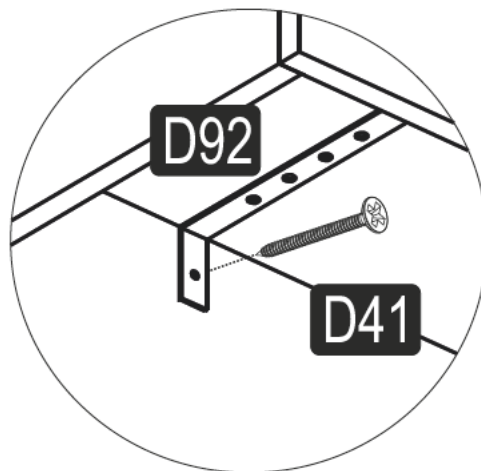




PART-1



PART-2



PART-3

