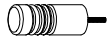
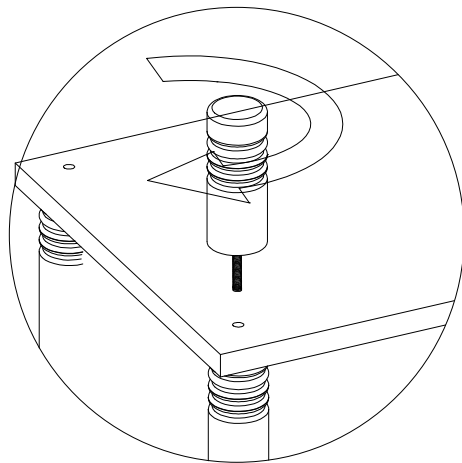


SIDEBOARD ASSEMBLY INSTRUCTION (TOTAL 1 BOX)

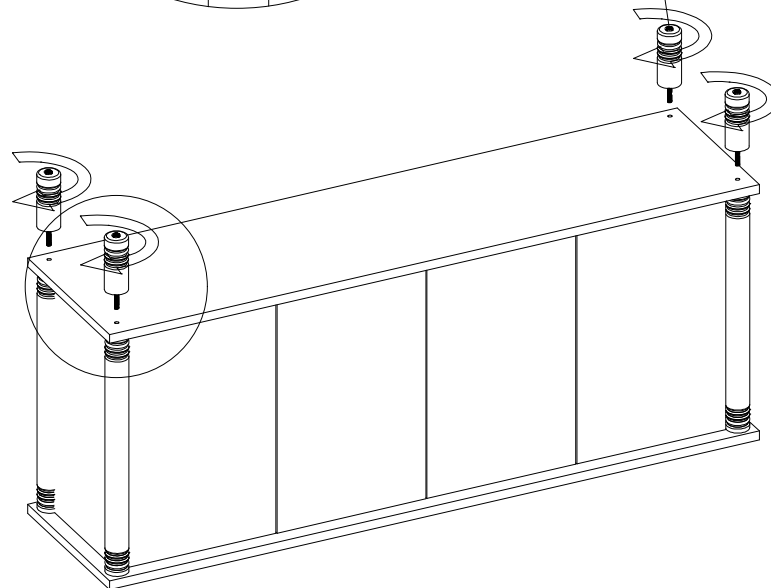


A x 4 pcs

1



Please adjust the sideboard with the adjustable foot when the floor is uneven.



Thank you for your purchase.