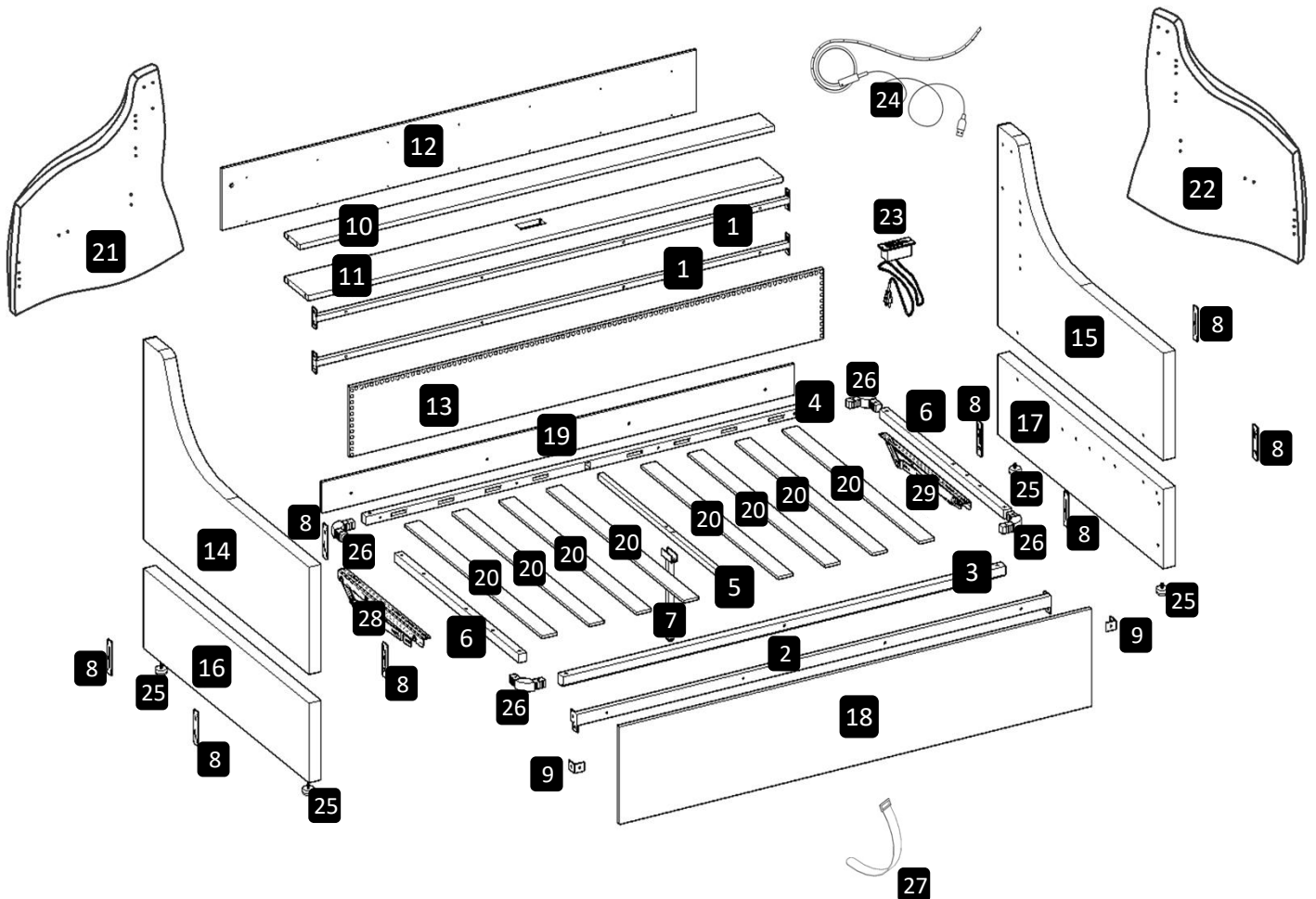
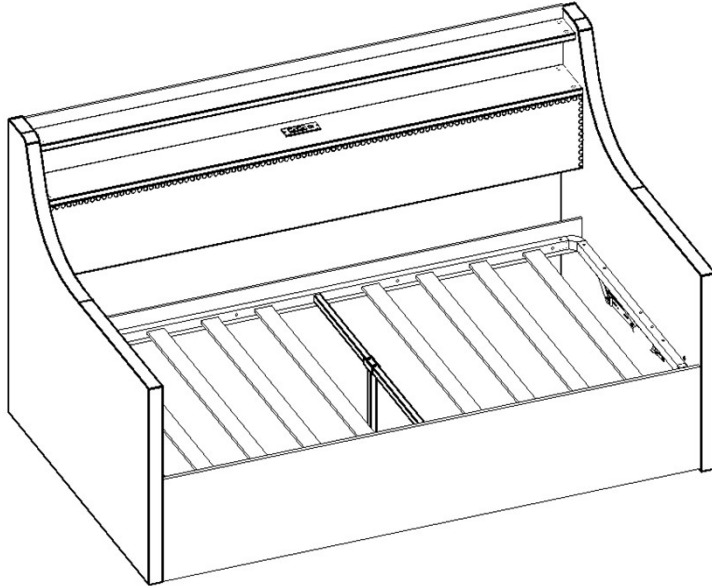


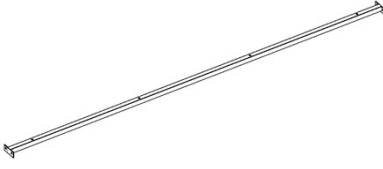
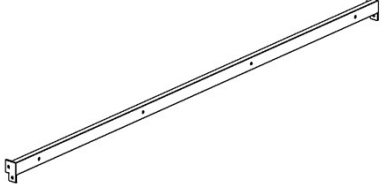
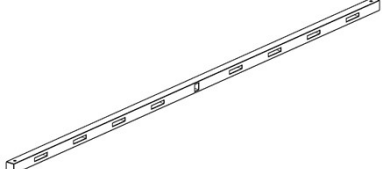
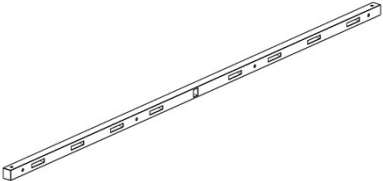
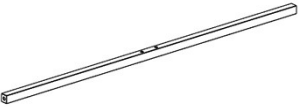
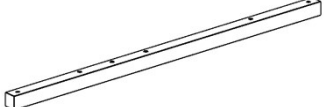


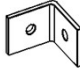

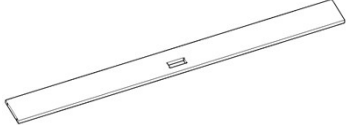
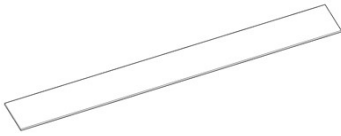
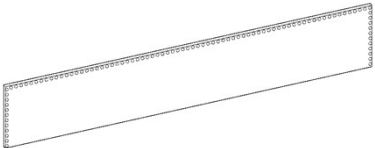
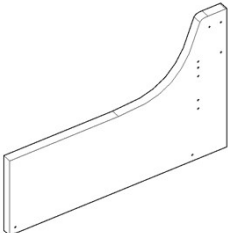
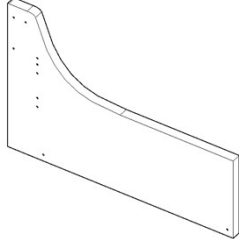
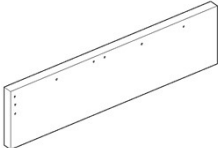
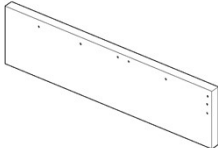
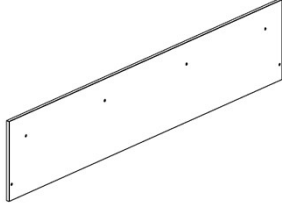
ASSEMBLY INSTRUCTION

W00043AAA / W00043AAE/ W00043AAK

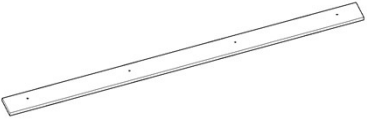

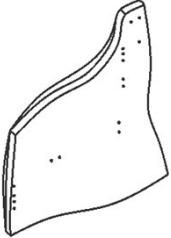
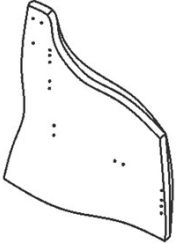
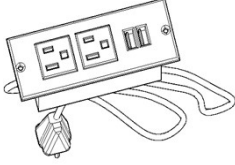
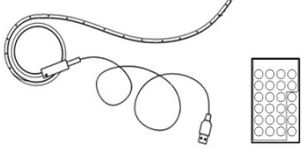
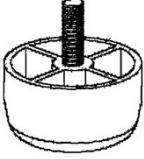
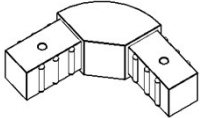

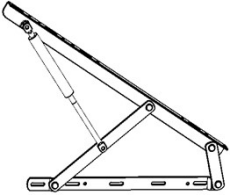
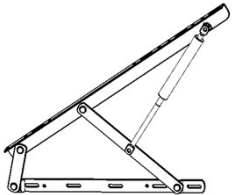

- TIPS**
1. This bed fit standard twin mattress 75" L x 39" W.
 2. Always use the recommended size mattresses or mattress supports, or both, to help prevent the likelihood of entrapment or falls.
 3. Do not allow horseplay on or under the bed and prohibit jumping on the bed.
 4. Do not use substitute part. Contact the manufacture or dealer for replacement part.










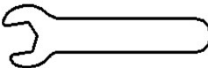

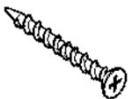
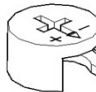

Part List

<p>1</p>  <p>Rail x2</p>	<p>2</p>  <p>Support Frame x1</p>	<p>3</p>  <p>Metal Slat Frame x1</p>
<p>4</p>  <p>Metal Slat Frame x1</p>	<p>5</p>  <p>Rail x1</p>	<p>6</p>  <p>Metal Slat Frame x2</p>
<p>7</p>  <p>Support Leg x1</p>	<p>8</p>  <p>Iron Sheet x8</p>	<p>9</p>  <p>Angle iron x2</p>
<p>10</p>  <p>Panel x1</p>	<p>11</p>  <p>Panel x1</p>	<p>12</p>  <p>Backboard x1</p>
<p>13</p>  <p>Headboard x1</p>	<p>14</p>  <p>Upper Handrail x1</p>	<p>15</p>  <p>Upper Handrail x1</p>
<p>16</p>  <p>Lower Handrail x1</p>	<p>17</p>  <p>Lower Handrail x1</p>	<p>18</p>  <p>Panels x1</p>

Part List

<p>19</p>  <p>Backboard x1</p>	<p>20</p>  <p>Slats x8</p>	<p>21</p>  <p>Left Coat X1</p>
<p>22</p>  <p>Right Coat X1</p>	<p>23</p>  <p>Socket X1</p>	<p>24</p>  <p>Lamp Strip Kit x1</p>
<p>25</p>  <p>Plastic Feet x4</p>	<p>26</p>  <p>Fastenings x4</p>	<p>27</p>  <p>Rope x1</p>
<p>28</p>  <p>Left Lift Mechanism x1</p>	<p>29</p>  <p>Right Lift Mechanism x1</p>	<p>30</p>  <p>Plastic Lamp Shade X1</p>

Hardware List

<p>A</p>  <p>Bolts(M6X10mm) X2</p>	<p>B</p>  <p>Bolts(M6X12mm) X10</p>	<p>C</p>  <p>Bolts(M6X16mm) X32</p>
<p>D</p>  <p>Bolts(M6X30mm) X22</p>	<p>E</p>  <p>Bolts(M6X40mm) X12</p>	<p>F</p>  <p>Nut(M6) X10</p>
<p>G</p>  <p>Allen Key X1</p>	<p>H</p>  <p>Spanner X1</p>	<p>I</p>  <p>Screws (M3X12mm) X2</p>
<p>J</p>  <p>Screws (M4X25mm) X14</p>	<p>K</p>  <p>Eccenter X8</p>	<p>L</p>  <p>Connecting screw rod X8</p>

IMPORTANT NOTICE

Once your bed frame is completely assembled, the slat unit will not operate correctly unless a mattress is placed on the slat frame. Position the mattress on the slat frame whilst it is in the closed position.

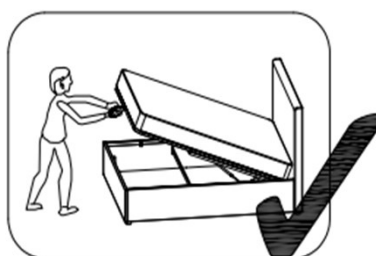
PLEASE NOTE - It takes a lot of force to make the initial movement of the ottoman. This is a design feature of the product so that it does not fall shut - the nearer to being closed the ottoman is, the easier it is to move. When the ottoman is almost shut, it will close completely under its own weight. When lowering the slat unit for the first time, take care to make sure it does not rub unevenly on the inside face of the side rails. If it does, the bed has been assembled slightly out of square. This can be rectified by moving the foot end of the bed slightly to the left or right whilst leaving the head end stationary.

PISTONS

The pistons used in the construction of this product are extremely strong and cannot be operated by hand when taken off the ottoman. All pistons are tested for correct pressure and operation before being attached to the slat unit. Initially it might appear that the pistons are very stiff when opening and closing the ottoman.

THIS IS PERFECTLY NORMAL

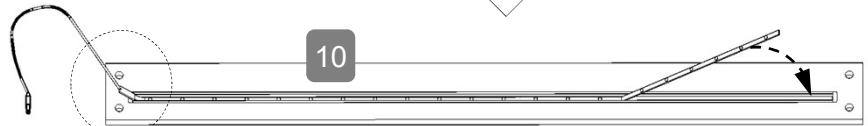
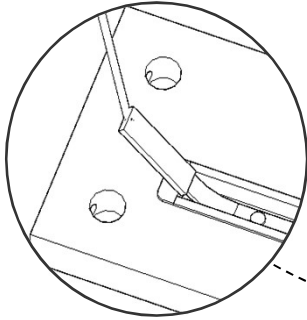
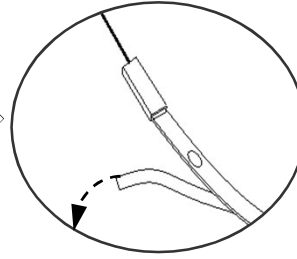
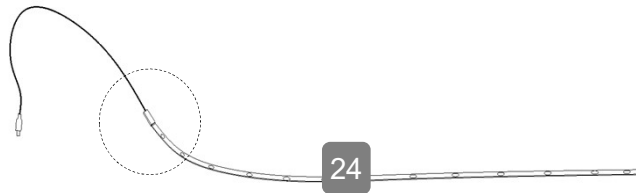
When fully assembled and the mattress is in position, please raise and lower the ottoman 4/5 times to ensure the gas piston are fully lubricated.



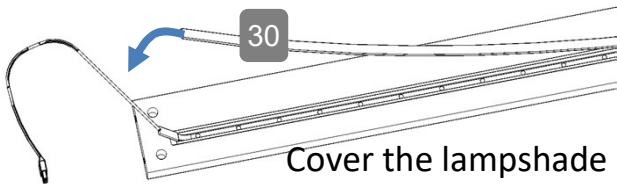
Step1

Attention: Do not tighten the screws before completing the entire installation. If you have any difficulty with the installation process, please feel free to contact us.

Tear the tape from the back of the LED light



Paste the LED strip into the light slot



Cover the lampshade

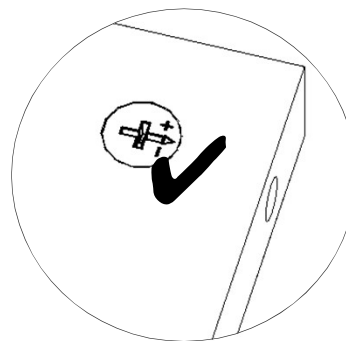
Step2

K

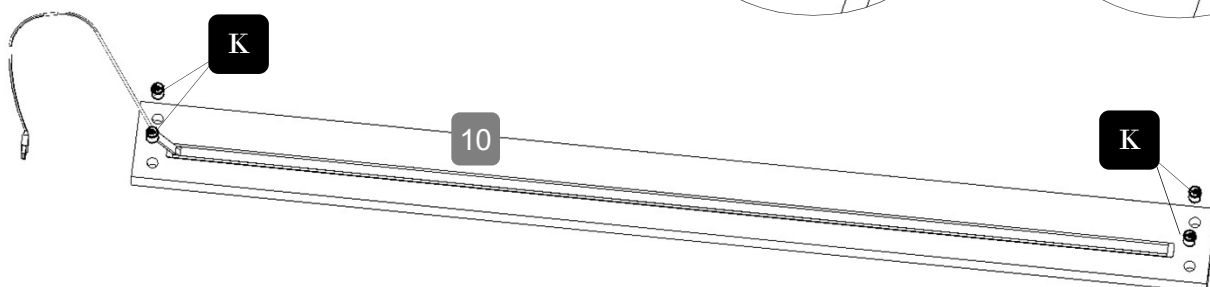
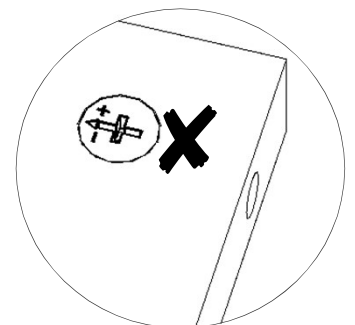


Eccenter X4

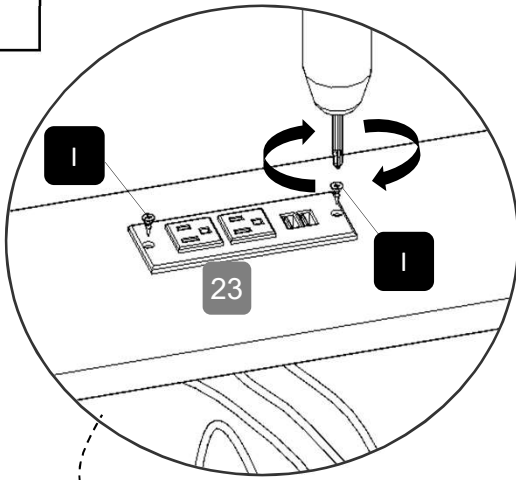
RIGHT



WRONG



Step3



K



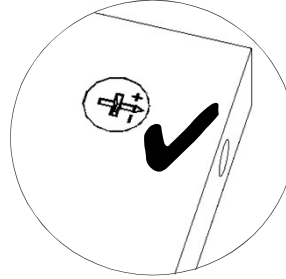
Eccenter X4

I

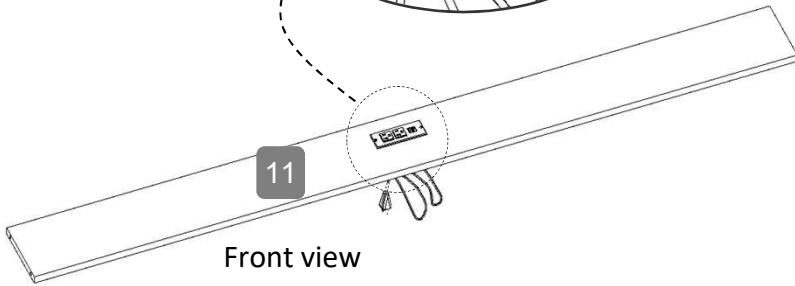
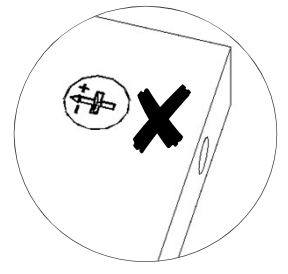


Screws (M3X12mm) X2

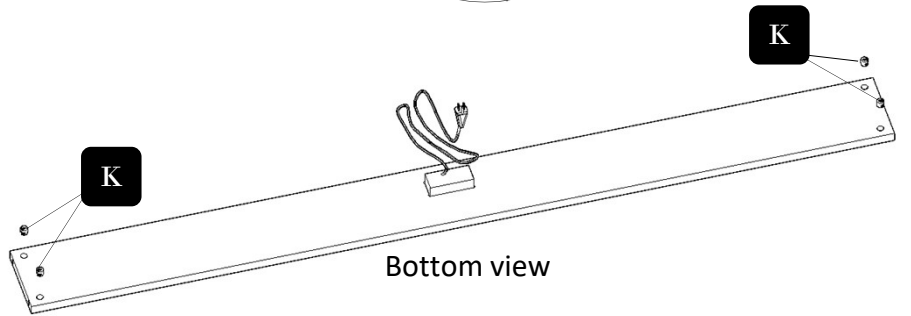
RIGHT



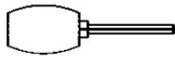
WRONG



Front view



Bottom view



Assembly Tools Required(Not Included)

Step4

B

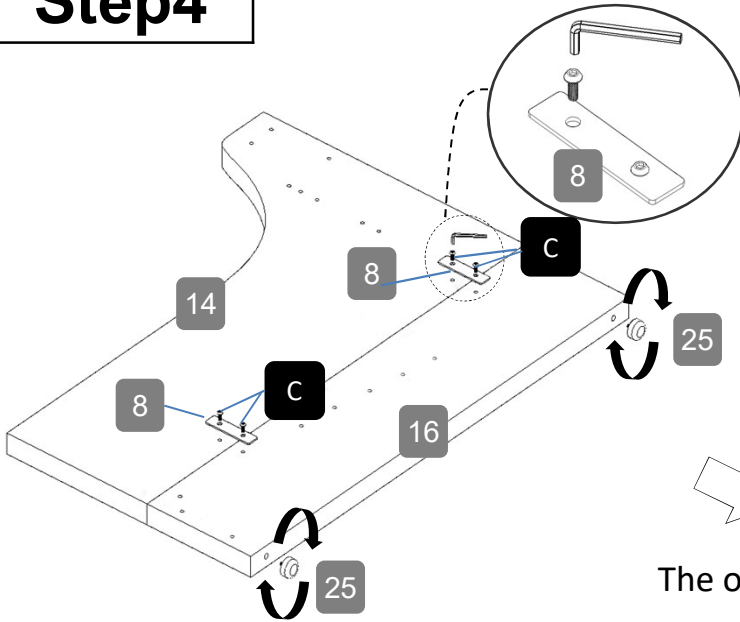


Bolts(M6X12mm) X4

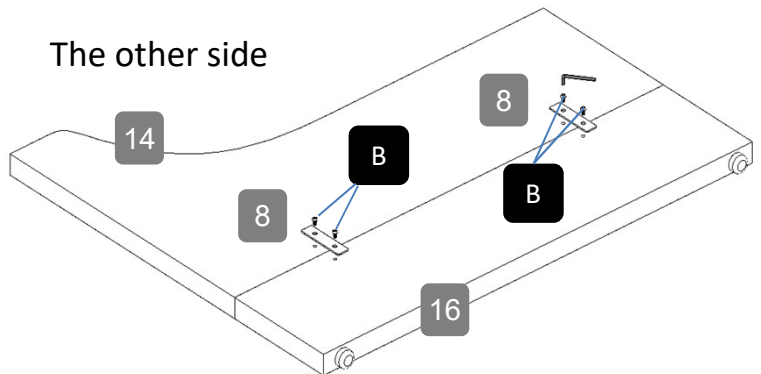
C



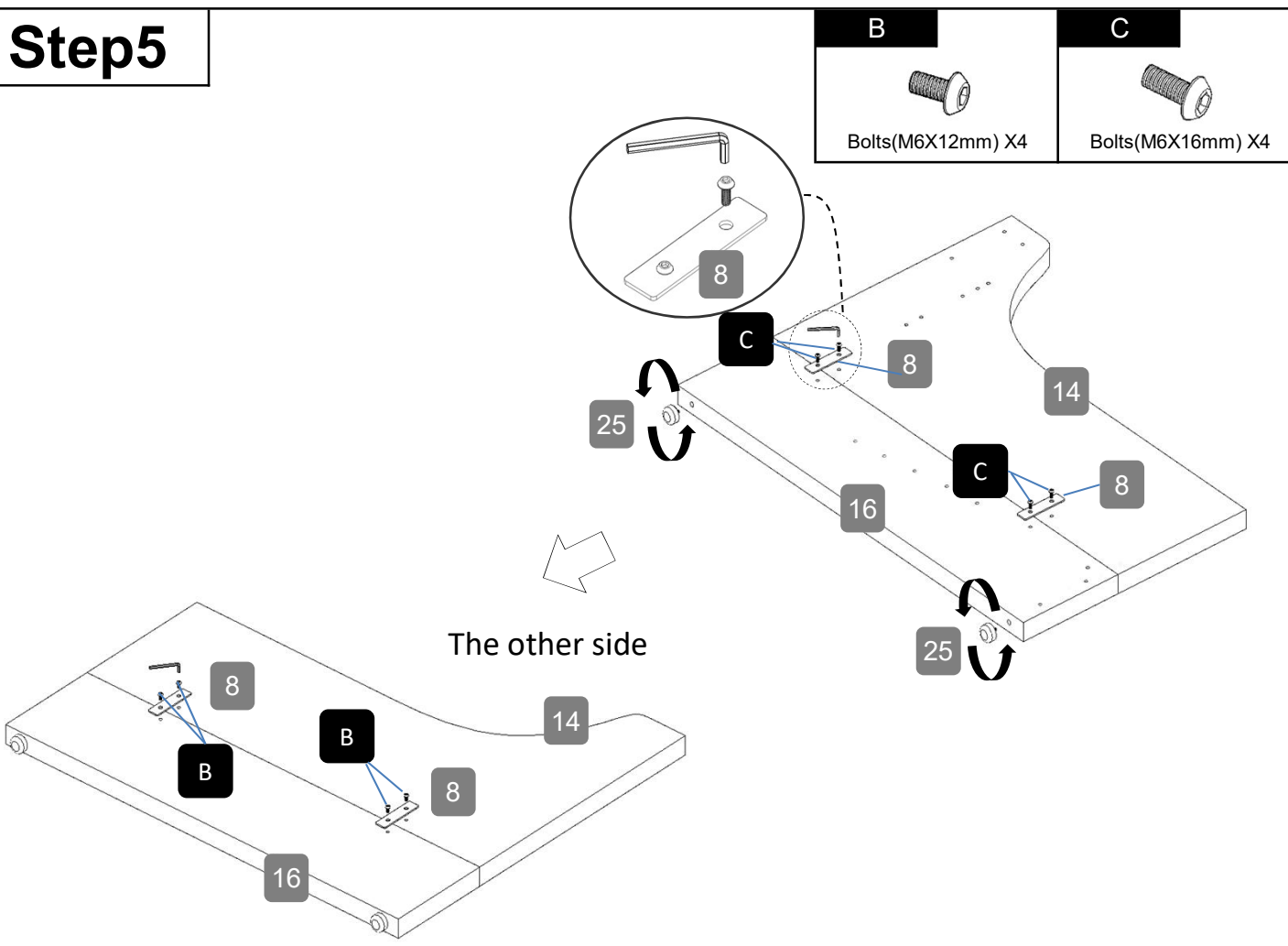
Bolts(M6X16mm) X4



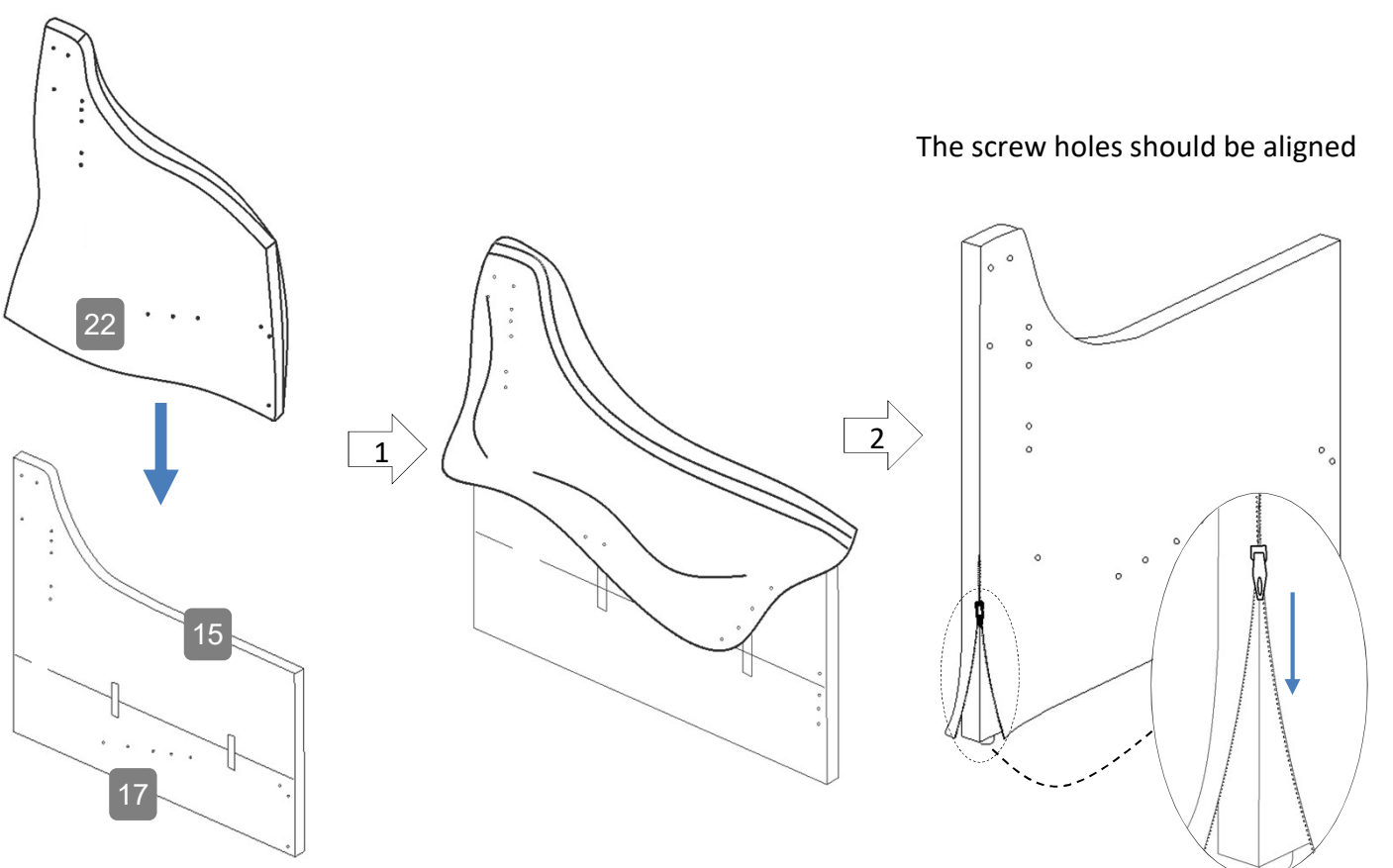
The other side



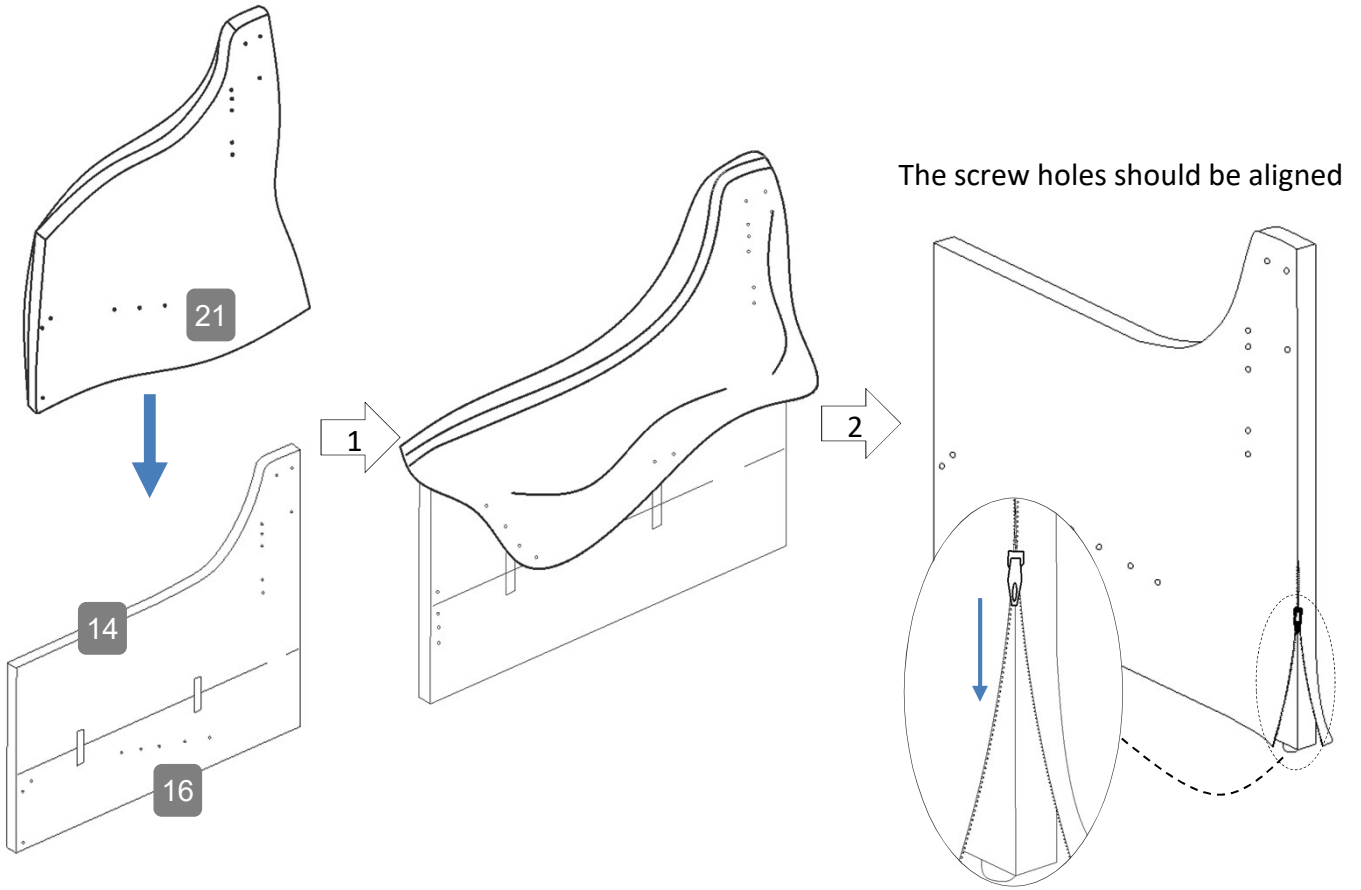
Step5



Step6



Step7

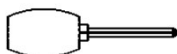
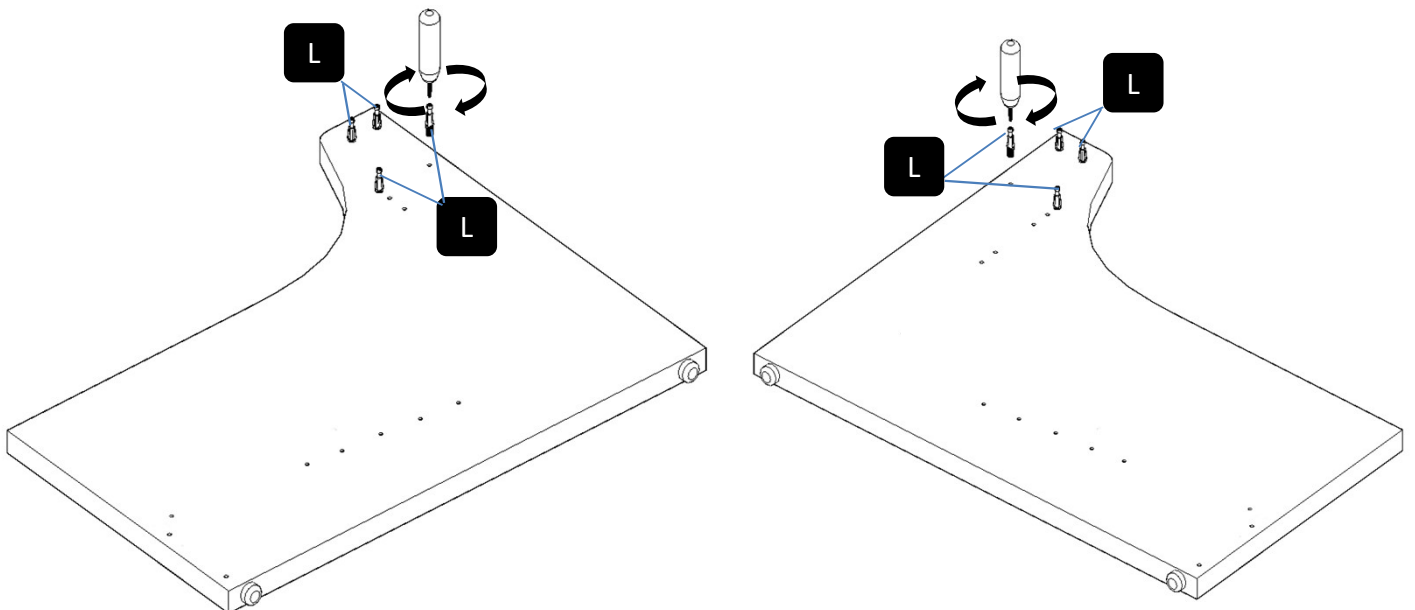


Step8

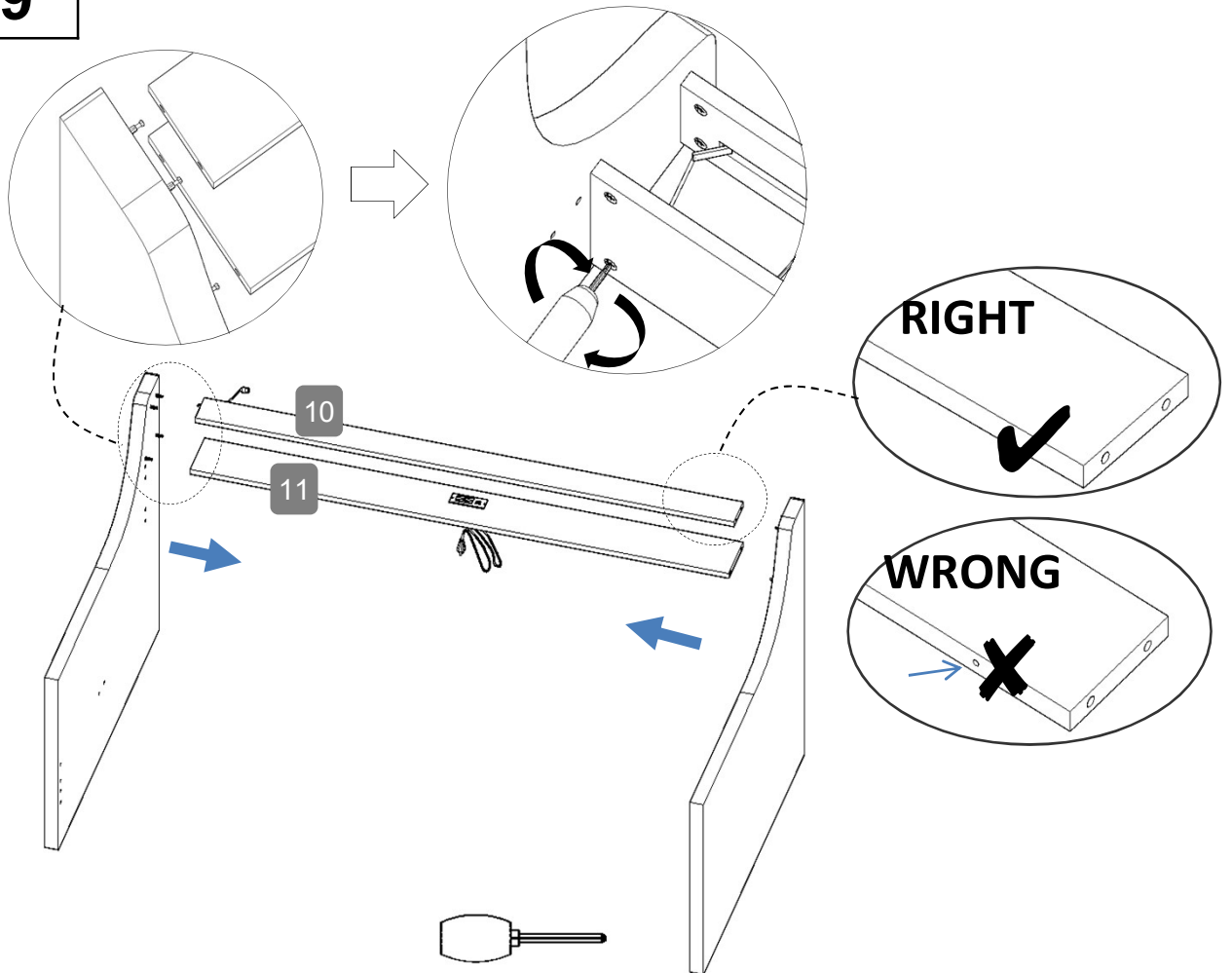
L



Connecting screw rod X8

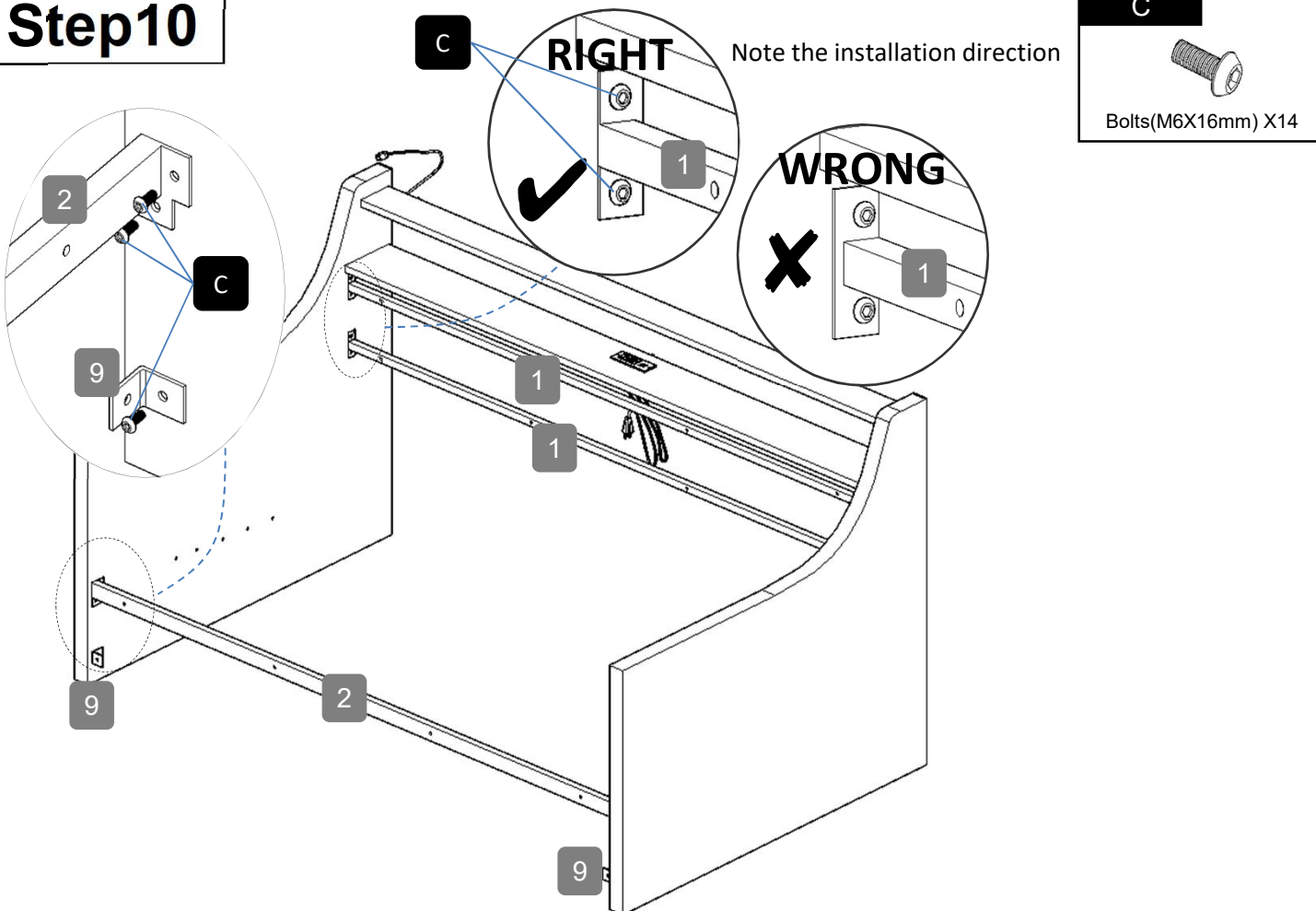


Step9

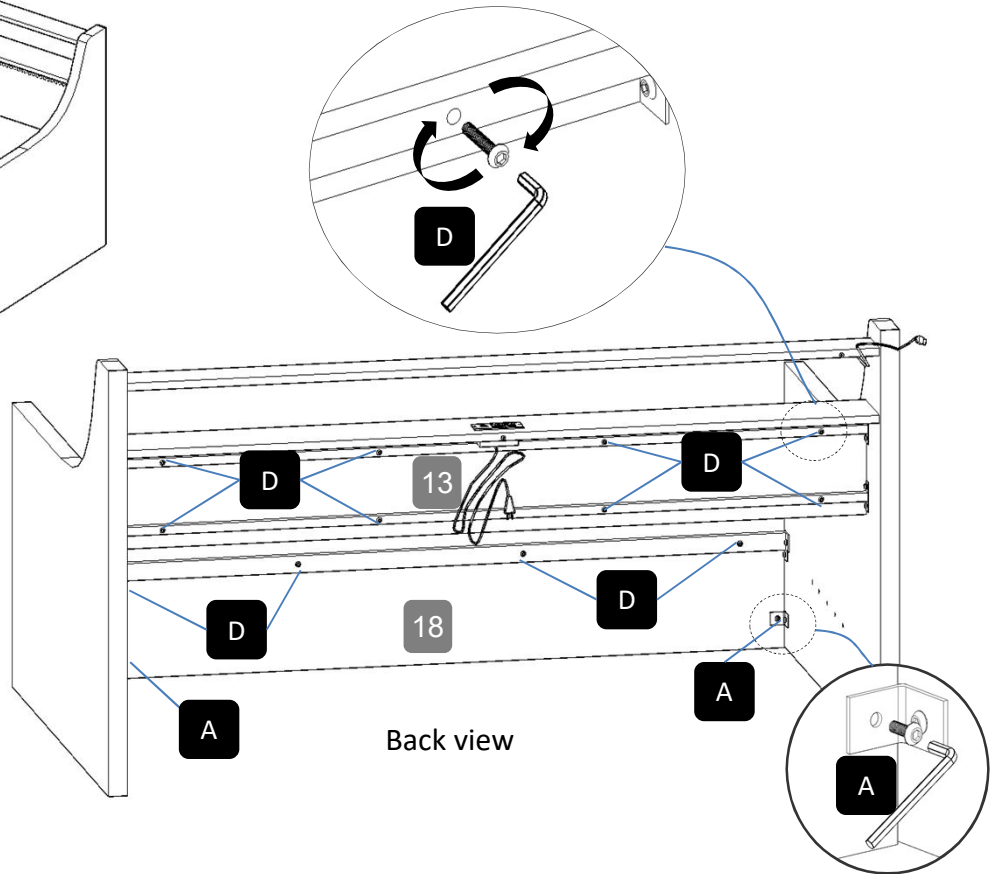
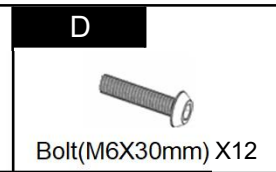
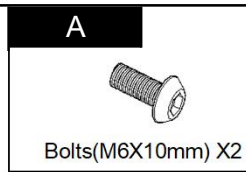
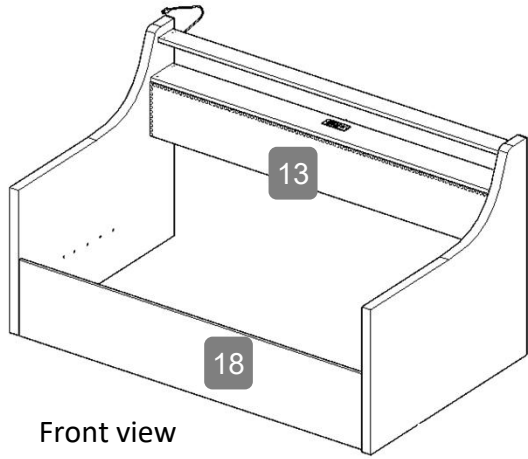


Assembly Tools Required(Not Included)

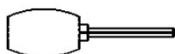
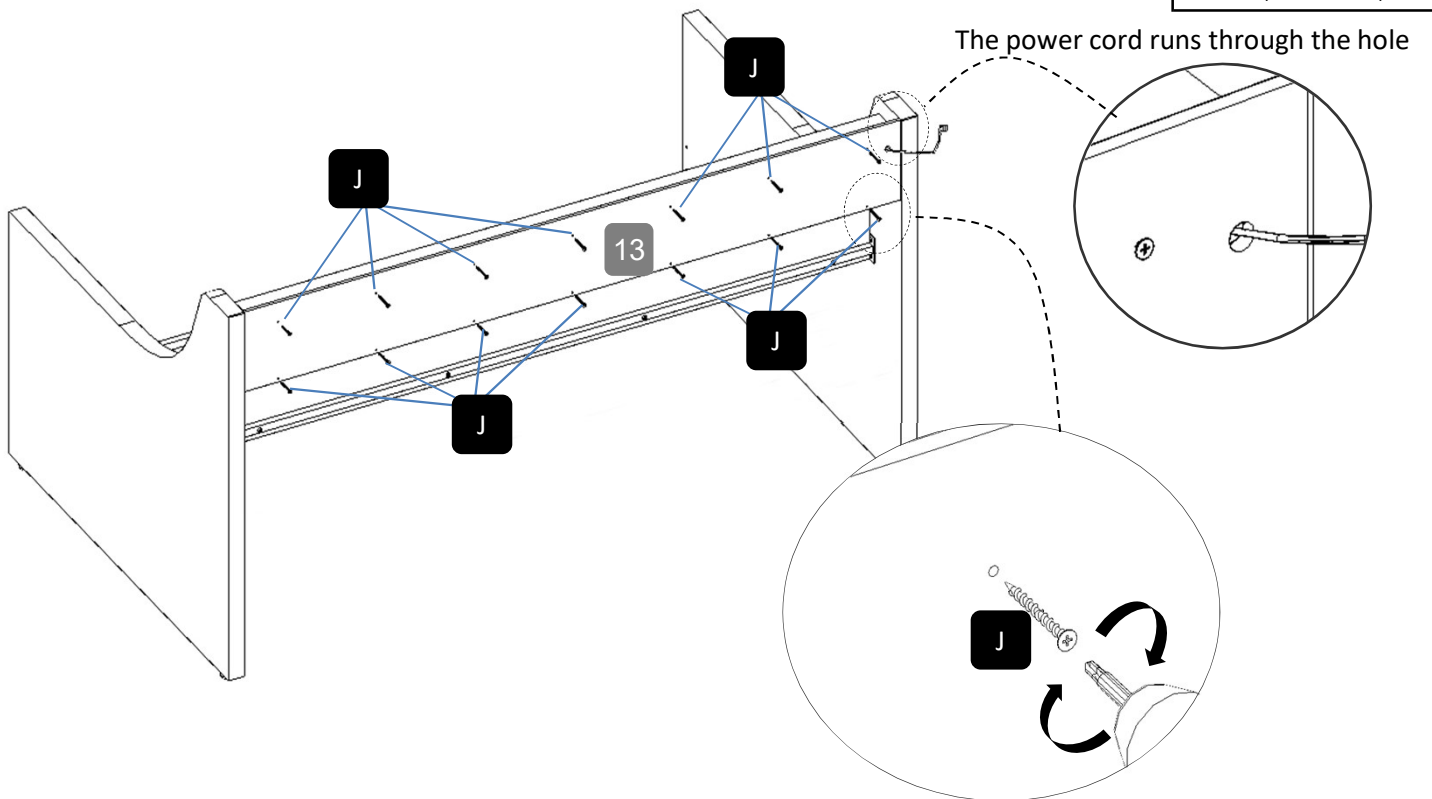
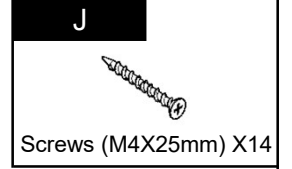
Step10



Step 11



Step 12



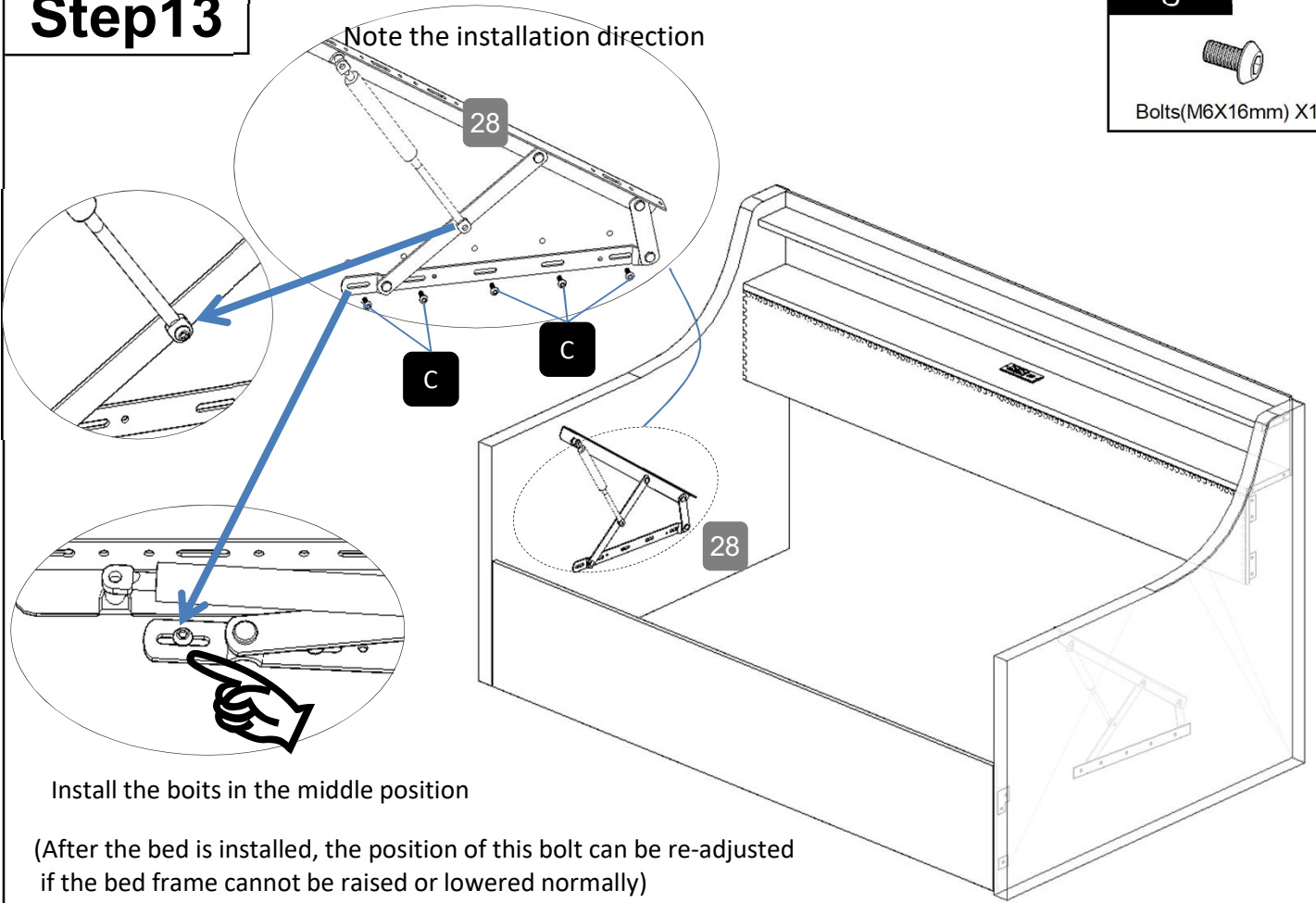
Step13

Note the installation direction

C



Bolts(M6X16mm) X10



Install the bolts in the middle position

(After the bed is installed, the position of this bolt can be re-adjusted if the bed frame cannot be raised or lowered normally)

Step14

Pay attention to the installation positions of parts 3, 4, and 6

B

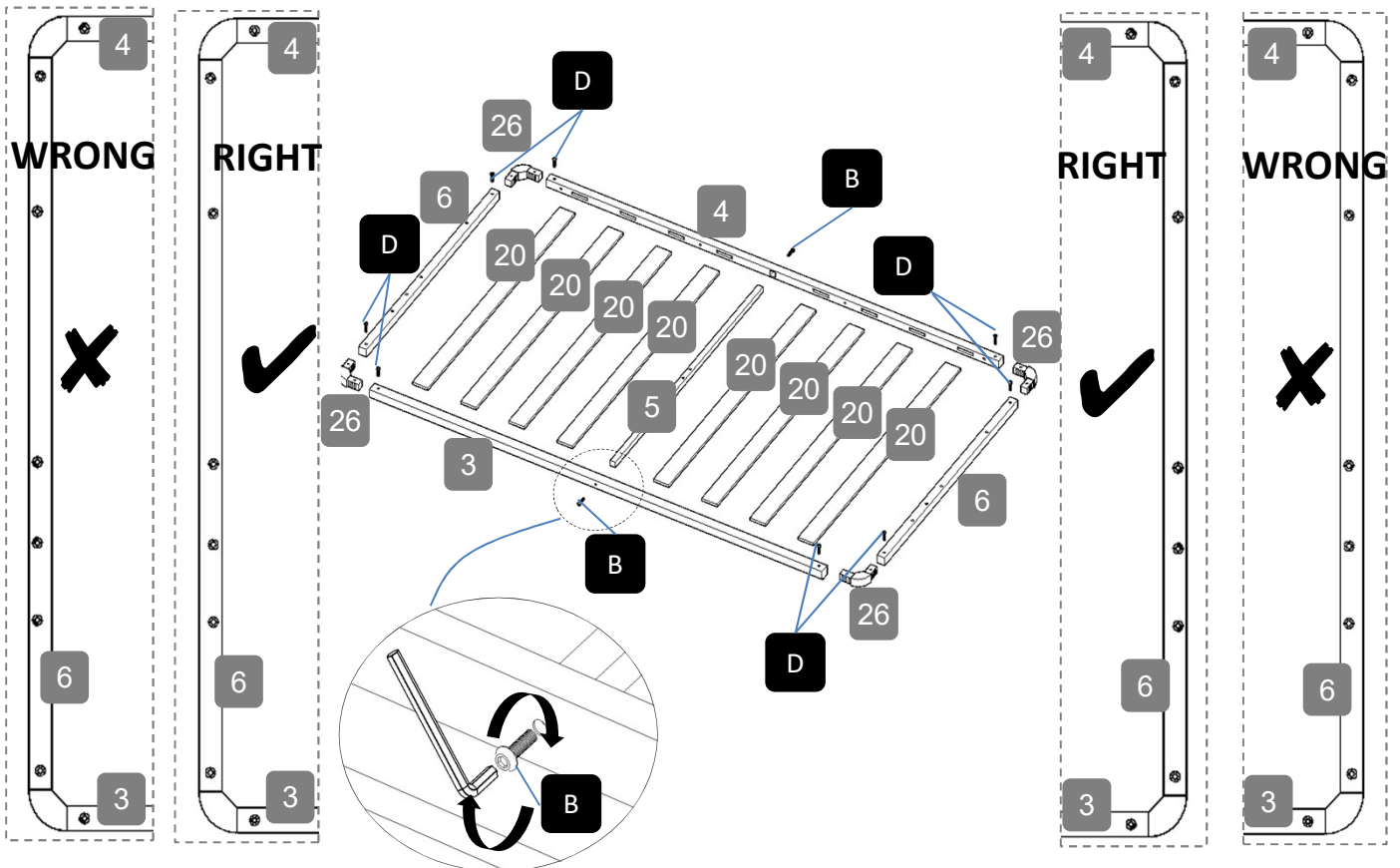


Bolts(M6X12mm) X2

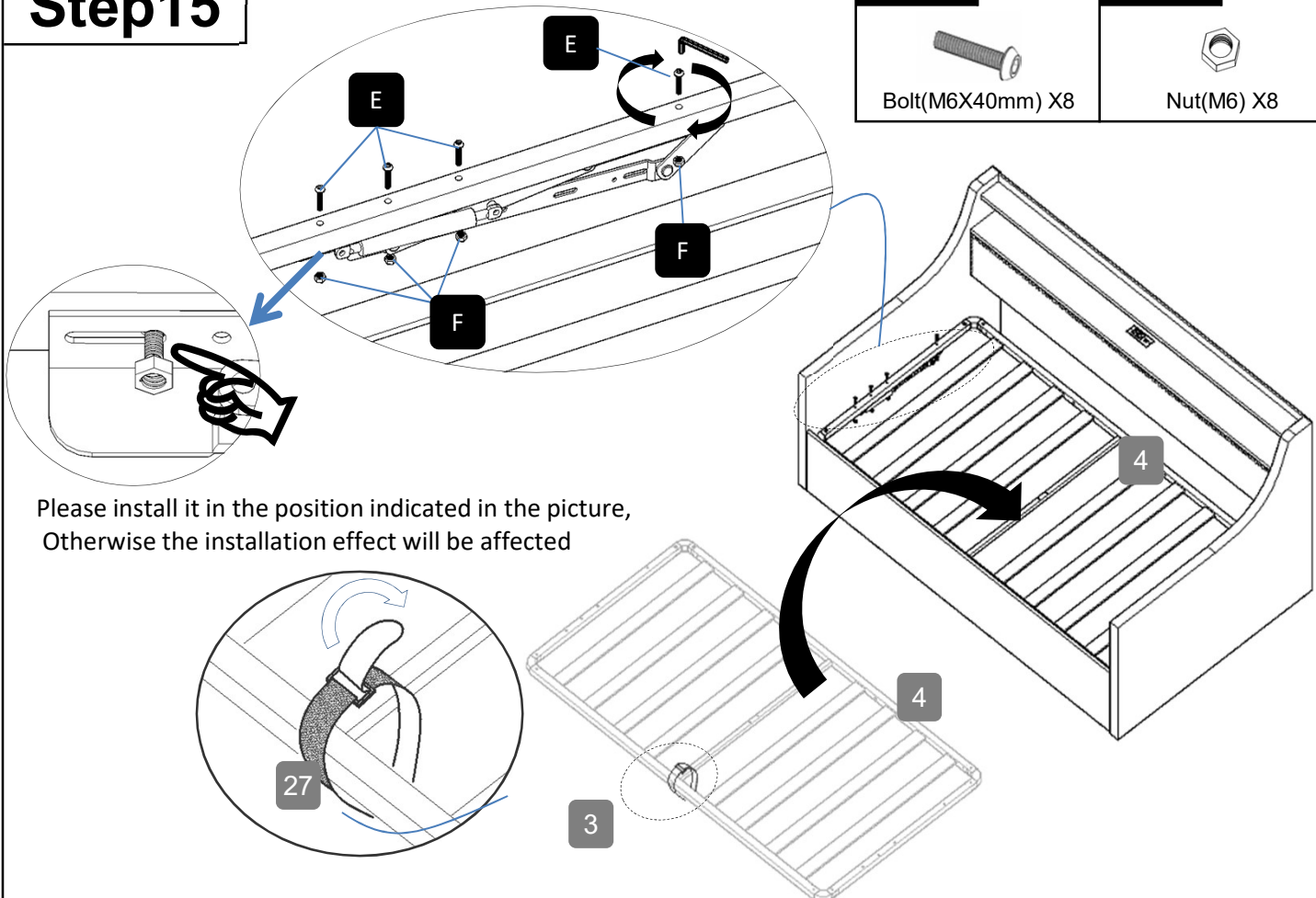
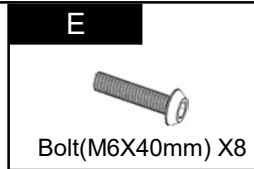
D



Bolt(M6X30mm) X8



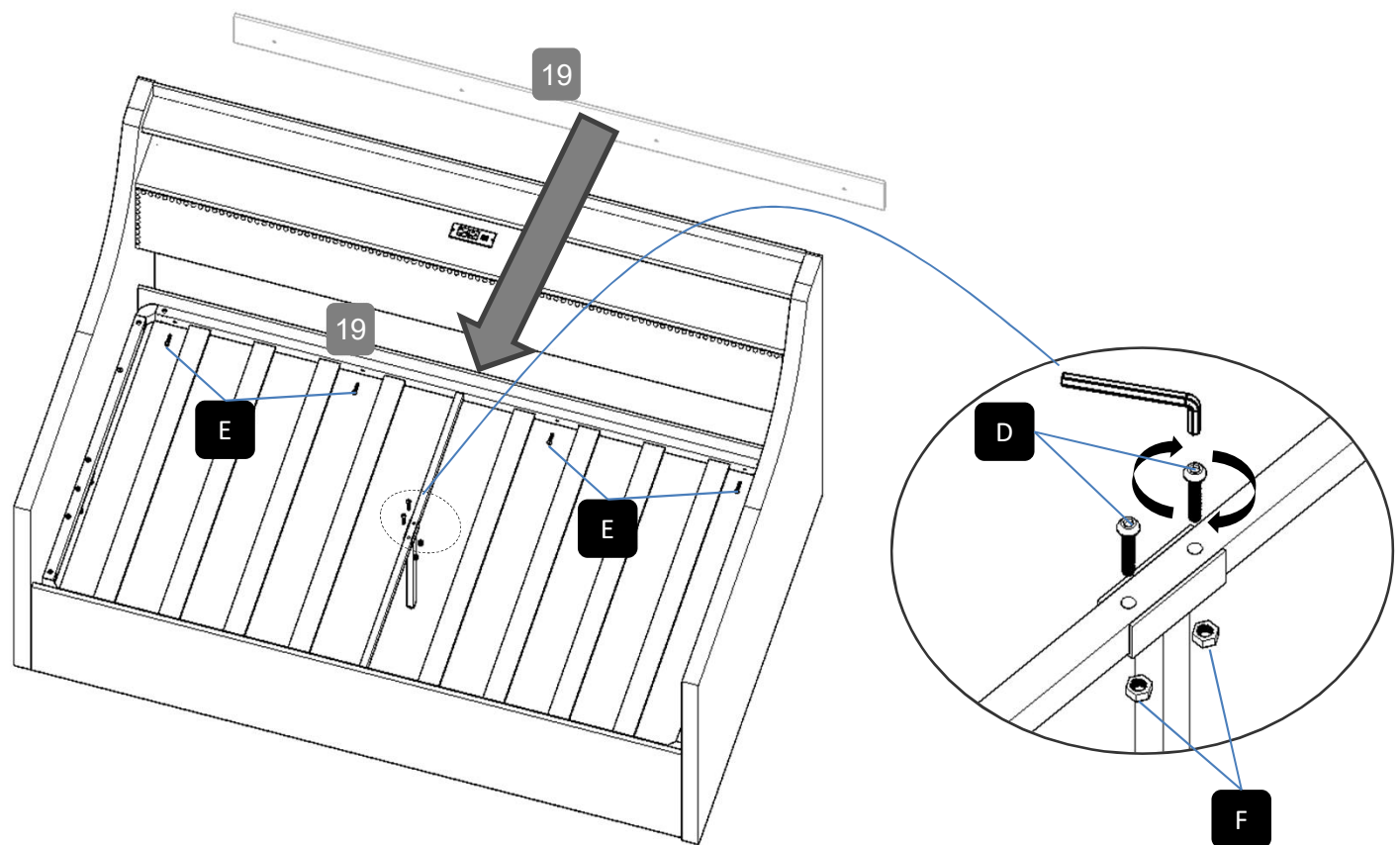
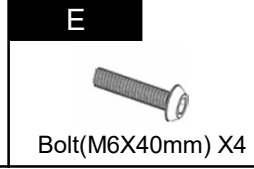
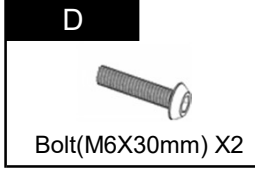
Step15



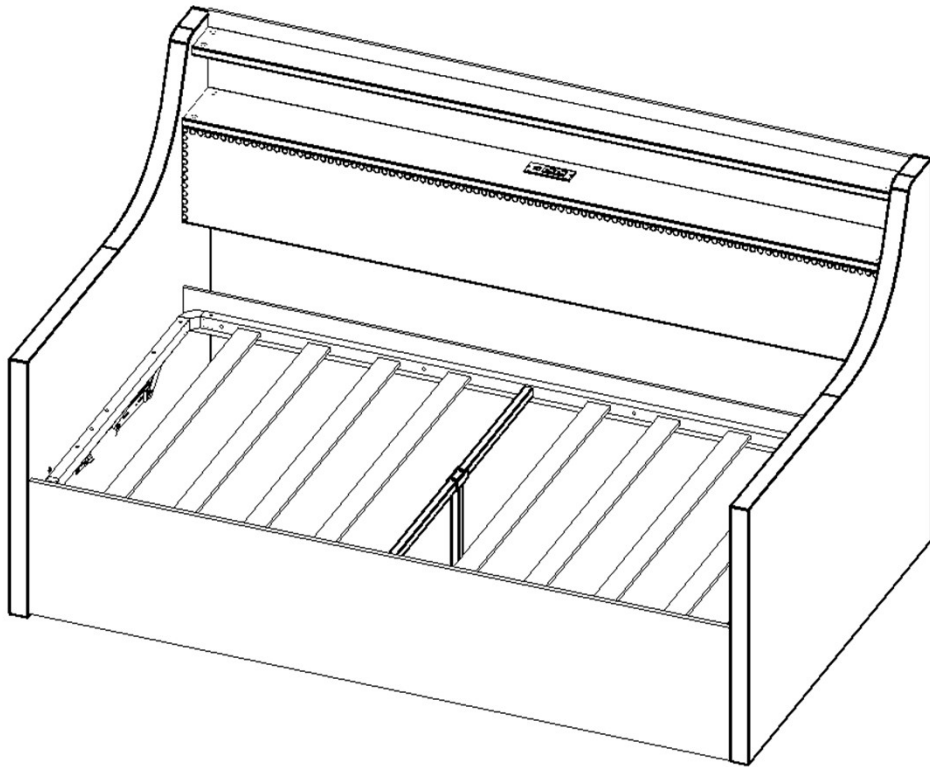
Please install it in the position indicated in the picture, Otherwise the installation effect will be affected

Note the installation direction

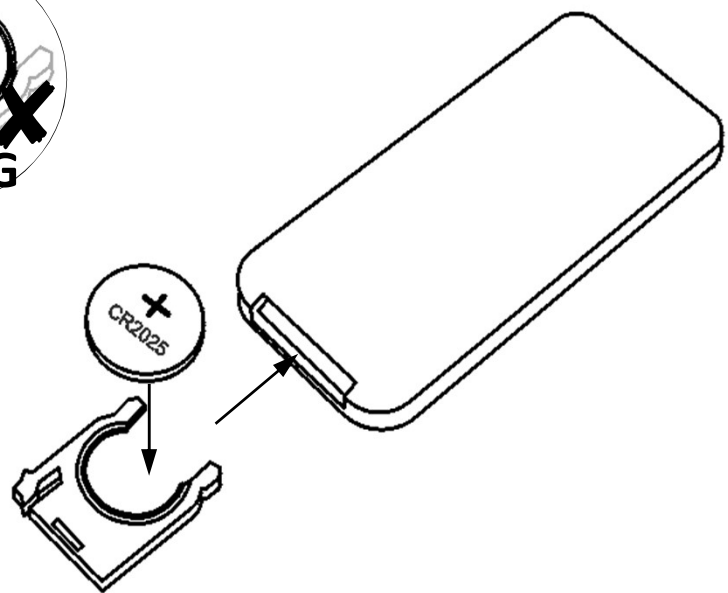
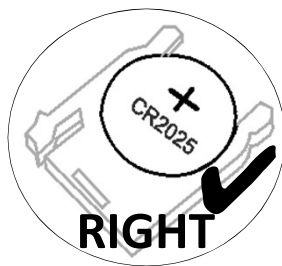
Step16



Step17



Step18



Remote control does not contain batteries, please buy your own a CR2025 button battery installed into the remote control