



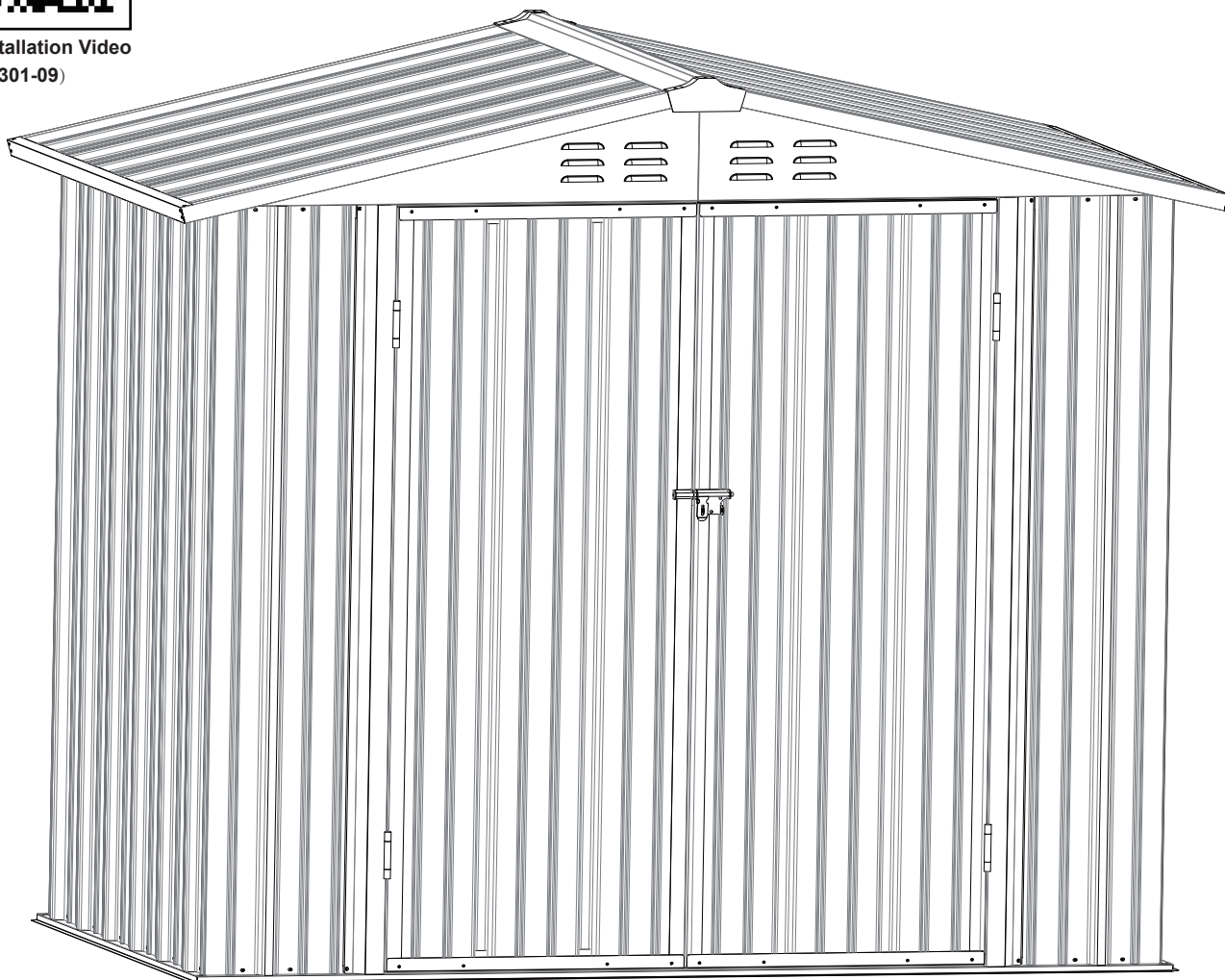
**VEIKOUS**

# 6X8 Metal Garden Shed

## Instructions for Assembly



Scan for Installation Video  
(PG0301-09)



**Minimum of 2 People is required for a safe assembly of the product**

You will receive two separate boxes for this product to be fully assembled. Please make sure all boxes arrived in good condition before assembling. It happens sometimes when boxes arrive separately due to postponed carrier's shipping, and your patience is really appreciated! You can also reach out to us at any time at [customerservice@veikous.com](mailto:customerservice@veikous.com) for any questions!



[www.veikous.com](http://www.veikous.com)

[customerservice@veikous.com](mailto:customerservice@veikous.com)



### **PLAN AHEAD**

Before beginning installation, check local building codes regarding footings, location and other requirements. Study and understand this instruction. Important information and helpful tips will make your installation easier and more enjoyable.

**Tools and Materials:** There are some basic tools and materials you will need for the installation. Decide which method of anchoring and the type of foundation you wish to use in order to form a complete list of the materials you will need.

### **BEFORE YOU BEGIN**

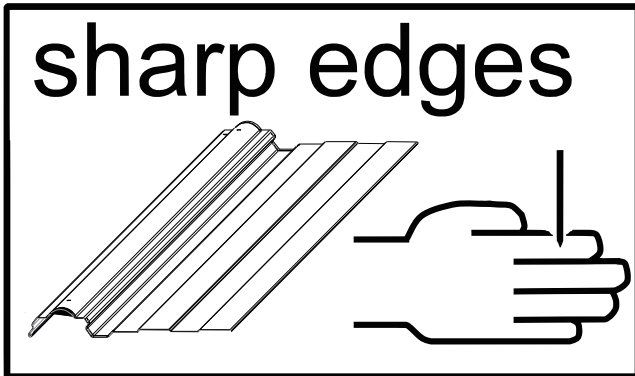
**Assembly Instruction:** Instructions are supplied in this manual and contain all appropriate information for your installation. Review all instructions before you begin, and during assembly, follow the step sequence carefully for correct results.

**Parts List:** Check to be sure that you have all the necessary parts and quantities in your package. These are packaged within the carton. Note that extra fasteners have been supplied for your convenience.

**Explosion Diagram:** All parts except screws and bolts are shown in this diagram, review all parts before you begin. Familiarize yourself with the hardware and fasteners for easier use during installation.

# SAFETY PRECAUTIONS...

*Safety precautions MUST be followed at all times throughout the construction of your building!*



Care must be taken when handling various pieces of your building since many contain sharp edges. Please wear work gloves, eye protection and long sleeves when assembling or performing any maintenance on your building.



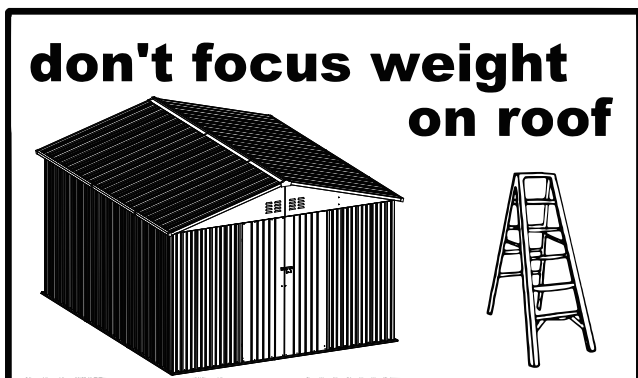
Practice caution with the tools being used in the assembly of this building. Be especially familiar with the operation of all power tools.



Keep children and pets away from the worksite during construction and until the building is completely assembled. This will help avoid distractions and any accidents which may occur.



Do NOT attempt to assemble your building on a windy day. The large panels can catch the wind like a "sail", causing them to be whipped around making construction difficult and unsafe.



NEVER concentrate your weight on the roof of the building. When using a step ladder make sure that it is fully open and on even ground before climbing on it.

Do NOT attempt to assemble your building before double checking that you have all the parts indicated in the parts lists as well as all hardware. Any building left partially assembled may be seriously damaged by even light winds.

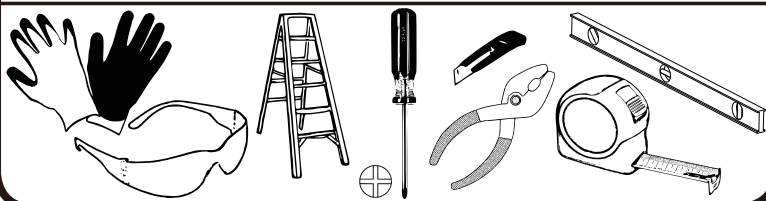
# ASSEMBLY TIPS & TOOLS

**Watch the Weather Closely:** Be sure the day you choose to install your building is dry and calm. Do **NOT** attempt to assemble your building on a windy day. Be careful on wet or muddy ground.

**Use Teamwork:** Two or more people are required to assemble your building. One person can hold the parts or panels in place while the other person fastens them together and handles the tools. This makes the process of assembling your building faster and safer.

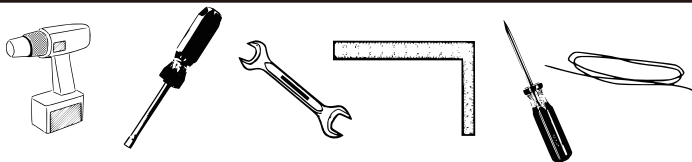
**Tools and Materials:** Here is a list of some basic tools and materials you will need to assemble your building. Decide which method of anchoring and the type of base you will use to make a complete list of the materials you will need.

## WHAT YOU NEED



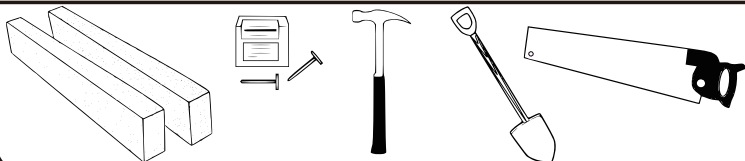
- Work Gloves
- Safety Glasses
- Step Ladder
- No. 2 Phillips Screwdriver (Magnetic Tip Preferred)
- Utility Knife or Scissors
- Pliers
- Carpenter's Level
- Tape Measure

## RECOMMENDED TIME SAVERS



- Power Drill (Cordless, Variable Speed)
- Nut Driver or Wrench
- Square
- String (for squaring the frame)
- Awl (to align holes)

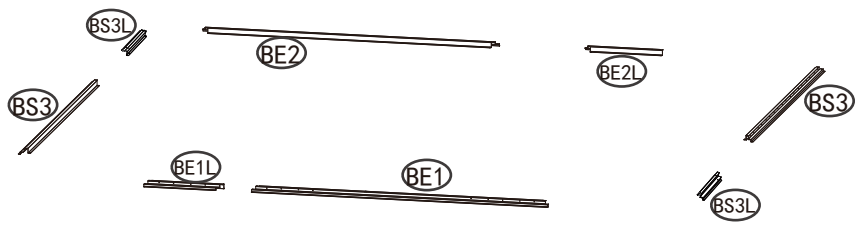
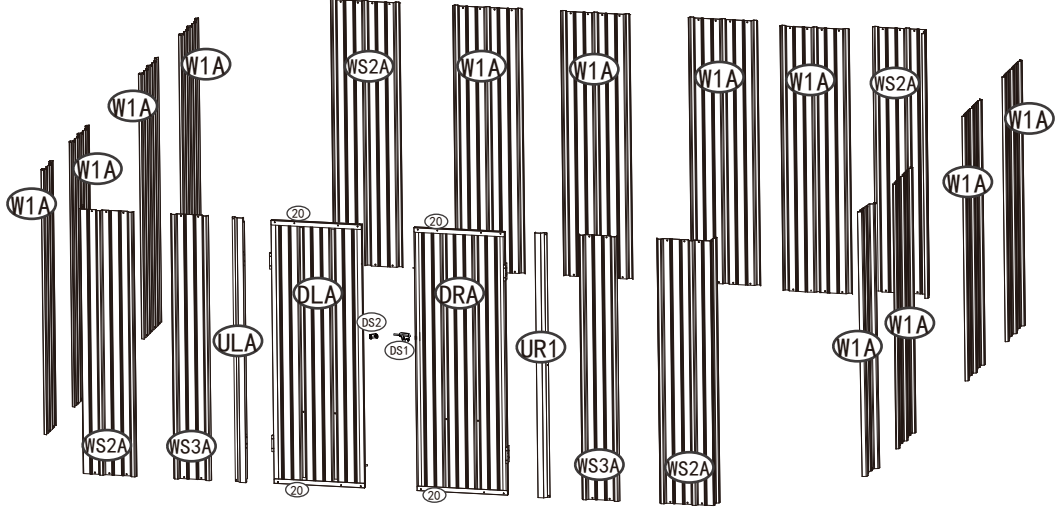
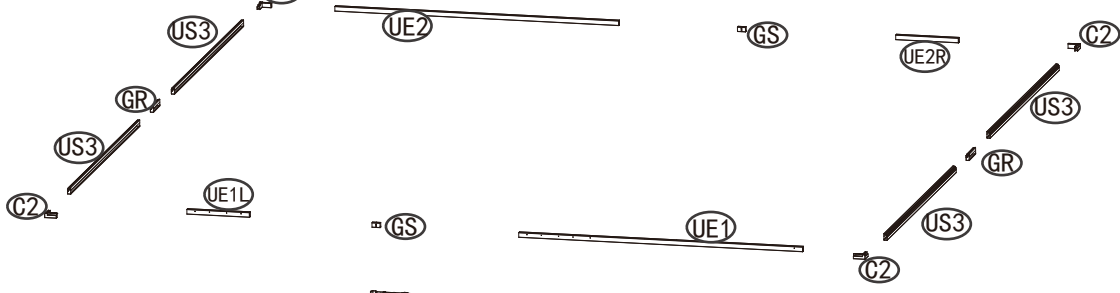
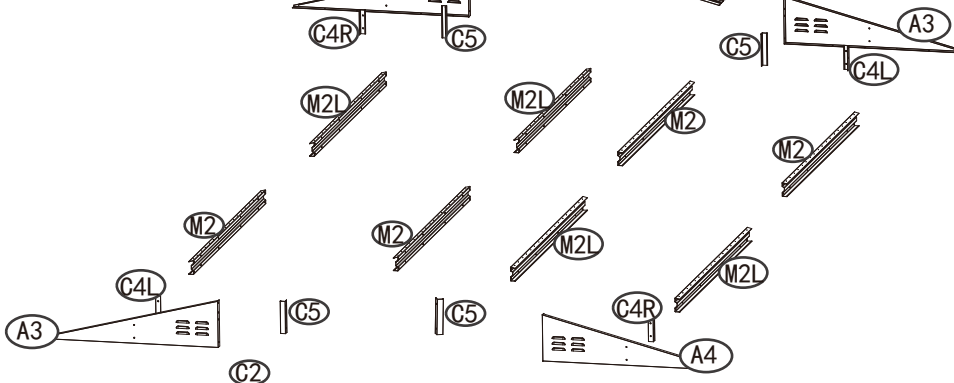
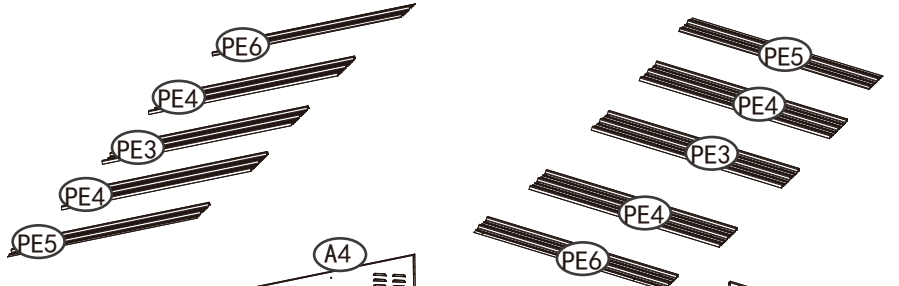
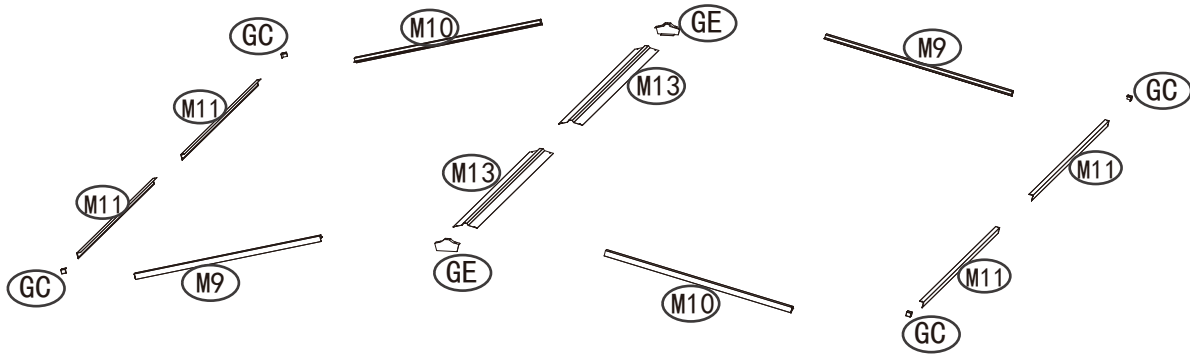
## BASE PREPARATION TOOLS



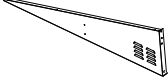
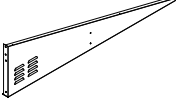

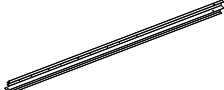
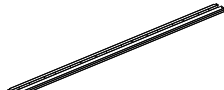
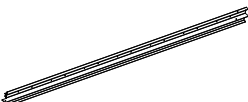
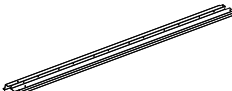
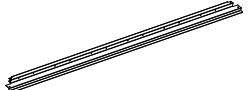
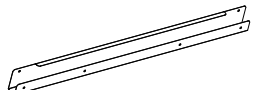
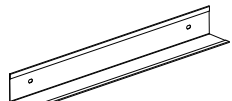
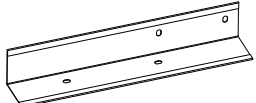
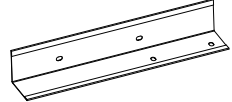
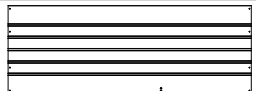
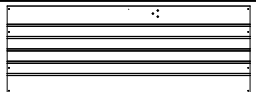


- Lumber and/or Concrete
- Hammer and Nails
- Spade or Shovel
- Hand Saw or Power Saw















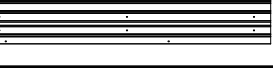
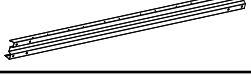

**How to Select and Prepare Your Building Site:** Before you start to assemble your building, you will want to decide on a good location. The best location is a level area with good drainage.



- Allow enough working space so it is not difficult to move parts into position for assembly. Be sure there will be enough space at the entrance for the doors to completely open. Also, there needs to be enough space outside the building to be able to fasten the panel screws from the outside.
- Before assembling any parts, your base should be constructed and an anchoring system should be ready to use.



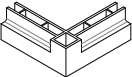
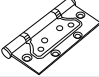
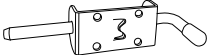
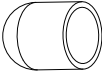

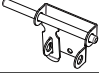

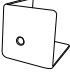

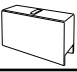
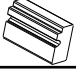




# Accessories List..

PART	NO.		Qty.	✓List.
	A3	Gable	2	
	A4	Gable	2	
	BE1	Front Floor Frame	1	
	BE1L	Front Floor Frame	1	
	BE2	Back Floor Frame	1	
	BE2L	Back Floor Frame	1	
	BS3	Side Floor Frame	2	
	BS3L	Side Floor Frame	2	
	20	Horizontal Door Brace	4	
	C5	Roof Beam Bracket	4	
	C4R	Roof Beam Bracket	2	
	C4L	Roof Beam Bracket	2	
	DLA	Door	1	
	DRA	Door	1	
	DX2	Door Brace Diagonal	4	
	UR1	Door Jump	1	

PART	NO.		Qty.	✓List.
	UE1	Front Wall Frame	1	
	UE1L	Front Wall Frame	1	
	US3	Side Wall Frame	4	
	UE2	Back Wall Frame	1	
	UE2R	Back Wall Frame	1	
	ULA	Door Jamb	1	
	M9	Fascia Trim	2	
	M10	Fascia Trim	2	
	W1A	Wider Wall Panel	12	
	WS2A	Corner Wall Panel	4	
	WS3A	Narrower Wall Panel	2	
	PE3	Roof Panel With Connections	2	
	PE4	Wider Roof Panel	4	
	PE5	Side Roof Panel	2	
	PE6	Side Roof Panel	2	
	M2	Roof Frame	4	
	M2L	Roof Frame	4	

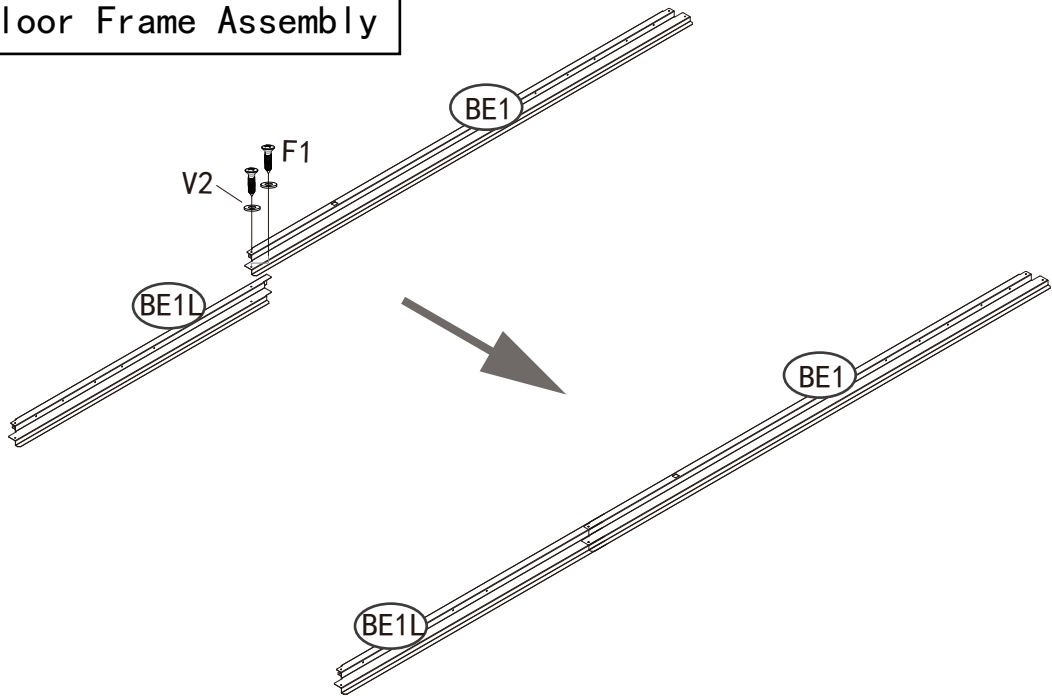
PART	NO.		Qty.	✓List.
	M11	Fascia Trim Side	4	
	M13	Ridge Cap	2	

## Hardware accessories

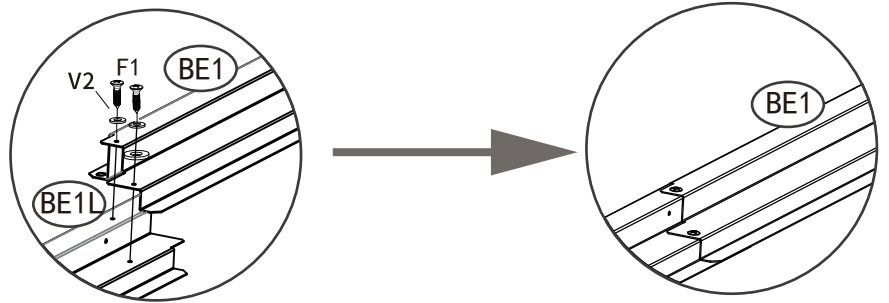
PART	NO.		Qty.	✓List.
	C2	Corner Plastic Connection	4	
	DH	Hinge	4	
	DC	Spring Pin	2	
	V1	Plastic Screw Cap	110	
	V2	Washer Sheet	400	
	DS1	Lock Catch	1	
	DS2	Lock	1	
	GC	Corner Plastic Cap	4	
	GE	Ridge Plastic Cap	2	
	GS	Quadrated Wall Frame Connection	2	
	GR	Irregular Wall Frame Connection	2	
	F1	Screw M4x10	400	
	F2	Bolt&Nut M4x10	44	
	F3	Screw M4x10 For Hinge	32	
	F4	Bolt&Nut M6x10 For Lock	5	



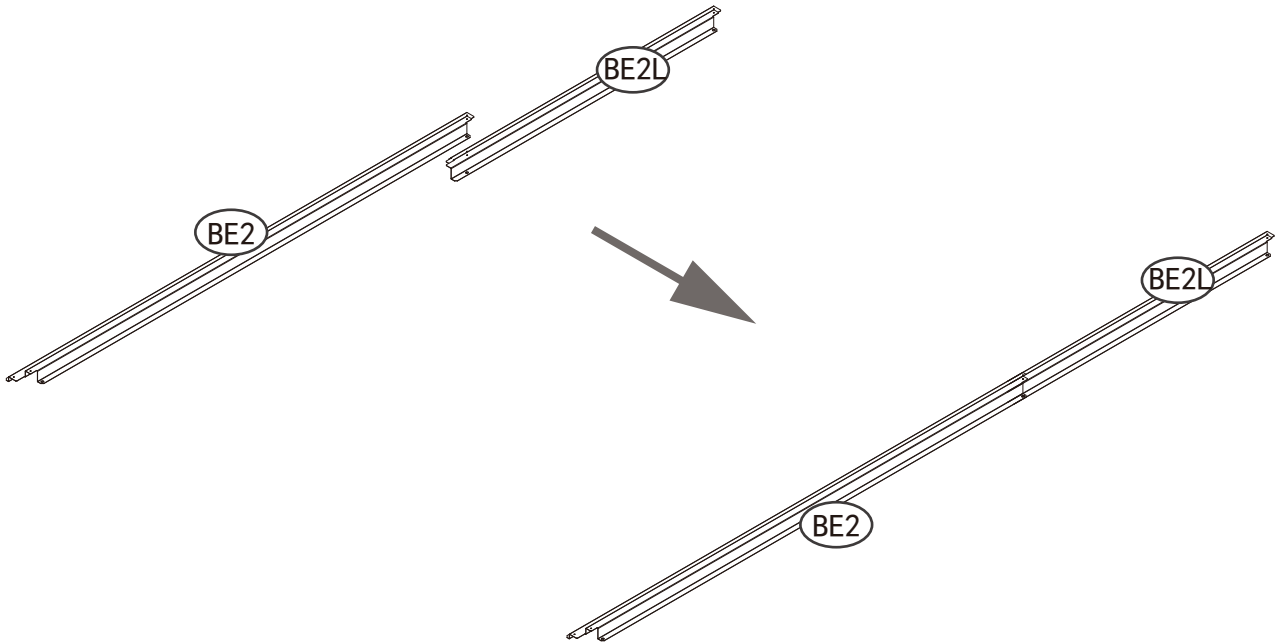
### Step1:Front Floor Frame Assembly



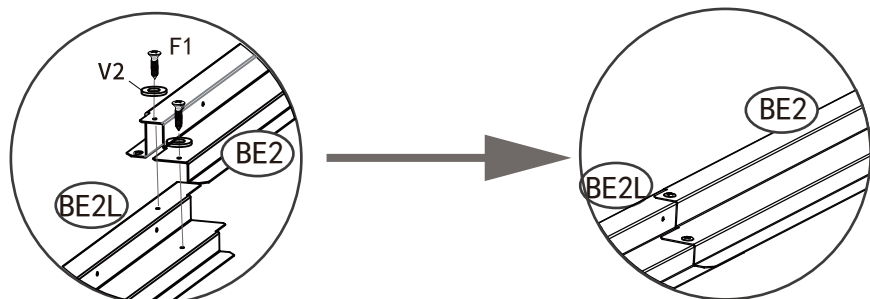
PART	NO.	Qty.	✓ List.
	BE1	1	
	BE1L	1	
	F1	2	
	V2	2	



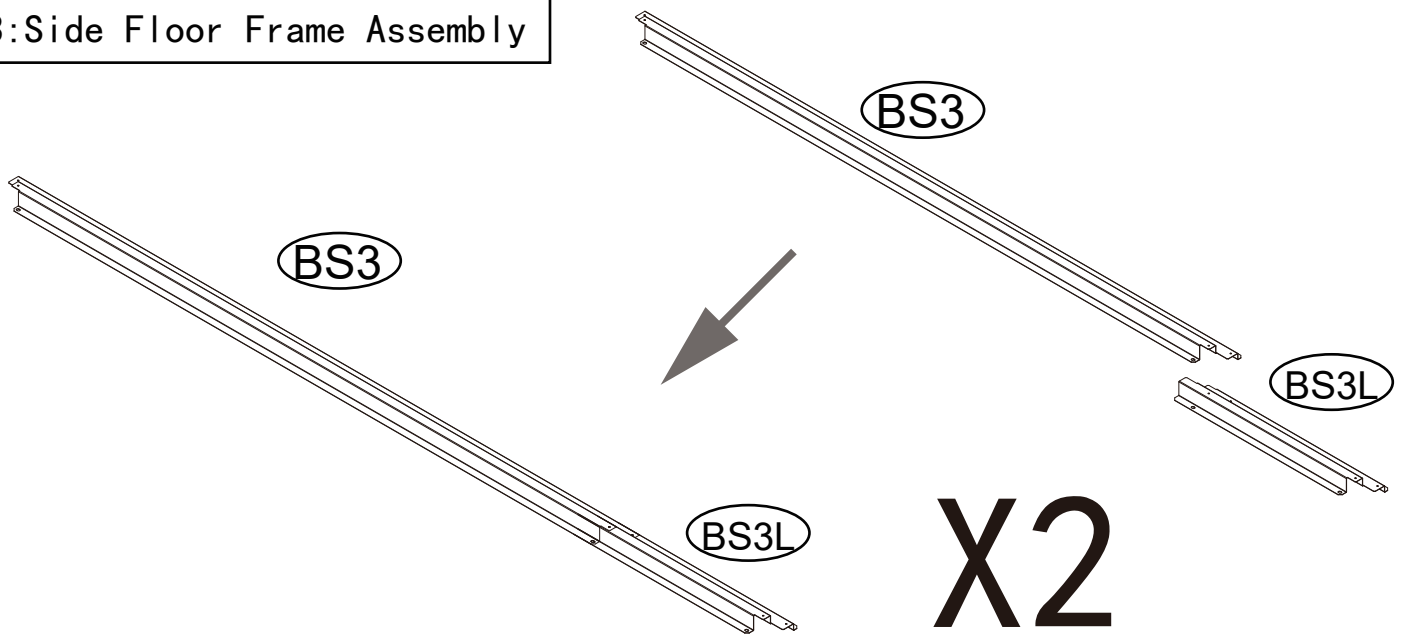
### Step2:Back Floor Frame Assembly



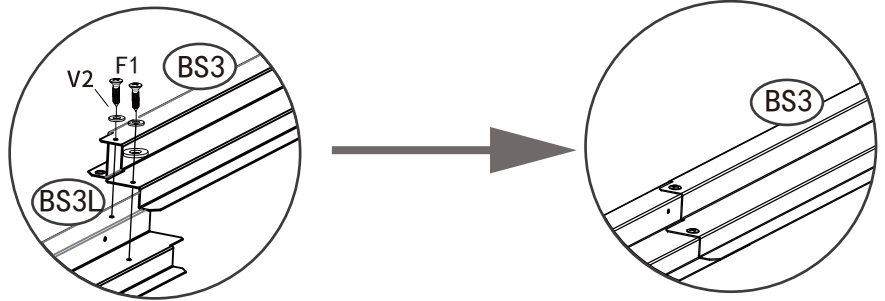
PART	NO.	Qty.	✓ List.
	BE2	1	
	BE2L	1	
	F1	2	
	V2	2	



### Step3:Side Floor Frame Assembly

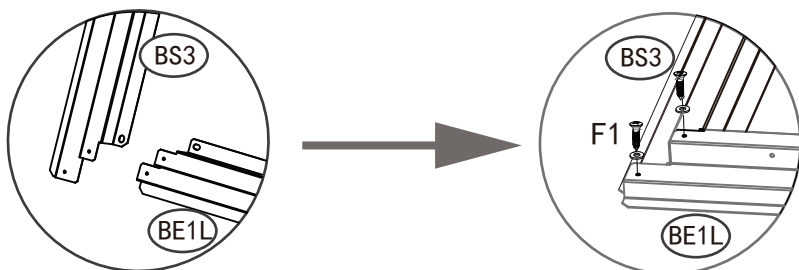
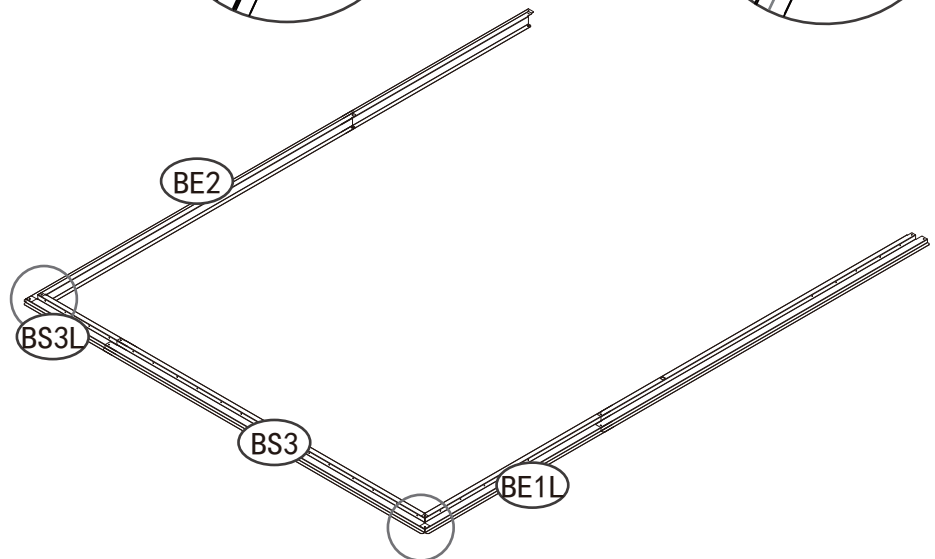
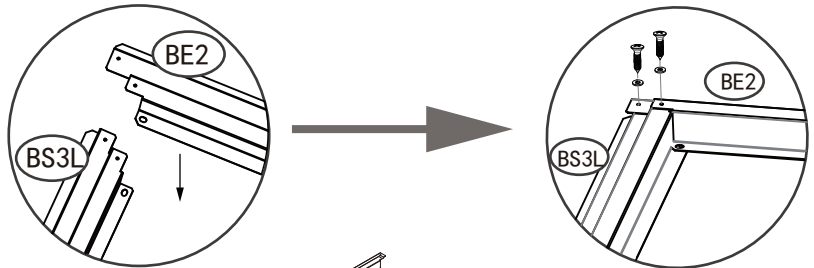


PART	NO.	Qty.	✓ List.
	BS3	2	
	BS3L	2	
	F1	4	
	V2	4	

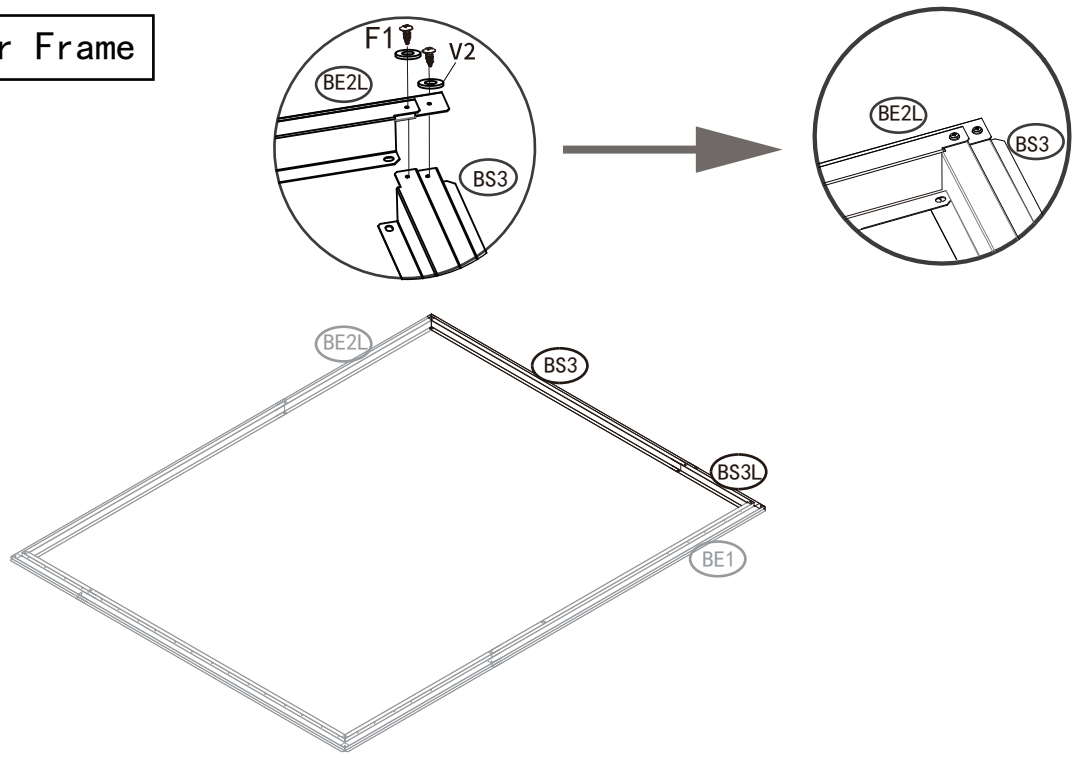




### Step4-1:Connect Floor Frame

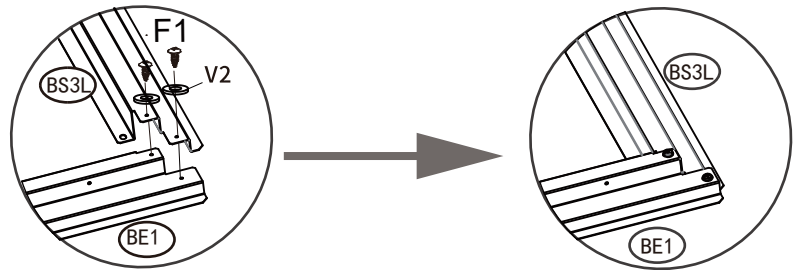
PART	NO.	Qty.	✓ List.
	F1	4	
	V2	4	



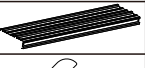
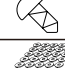

## Step4-2: Connect Floor Frame

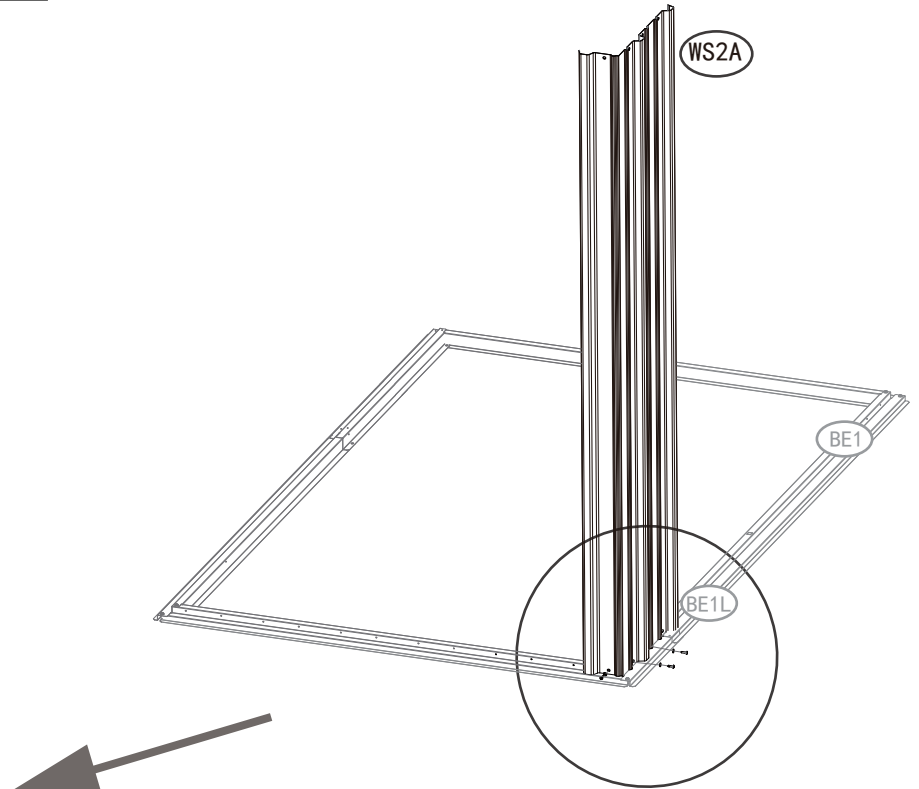
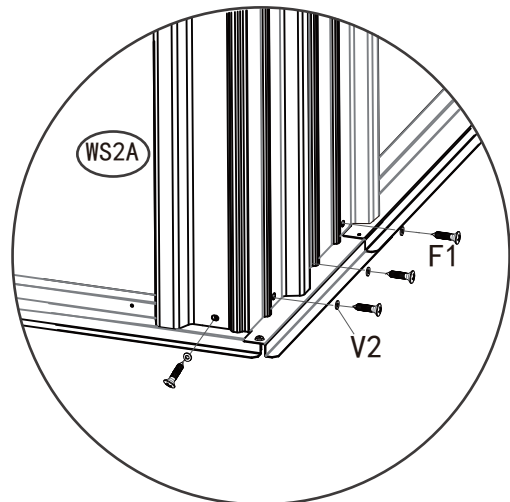


PART	NO.	Qty.	✓ List.
	F1	4	
	V2	4	

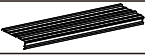




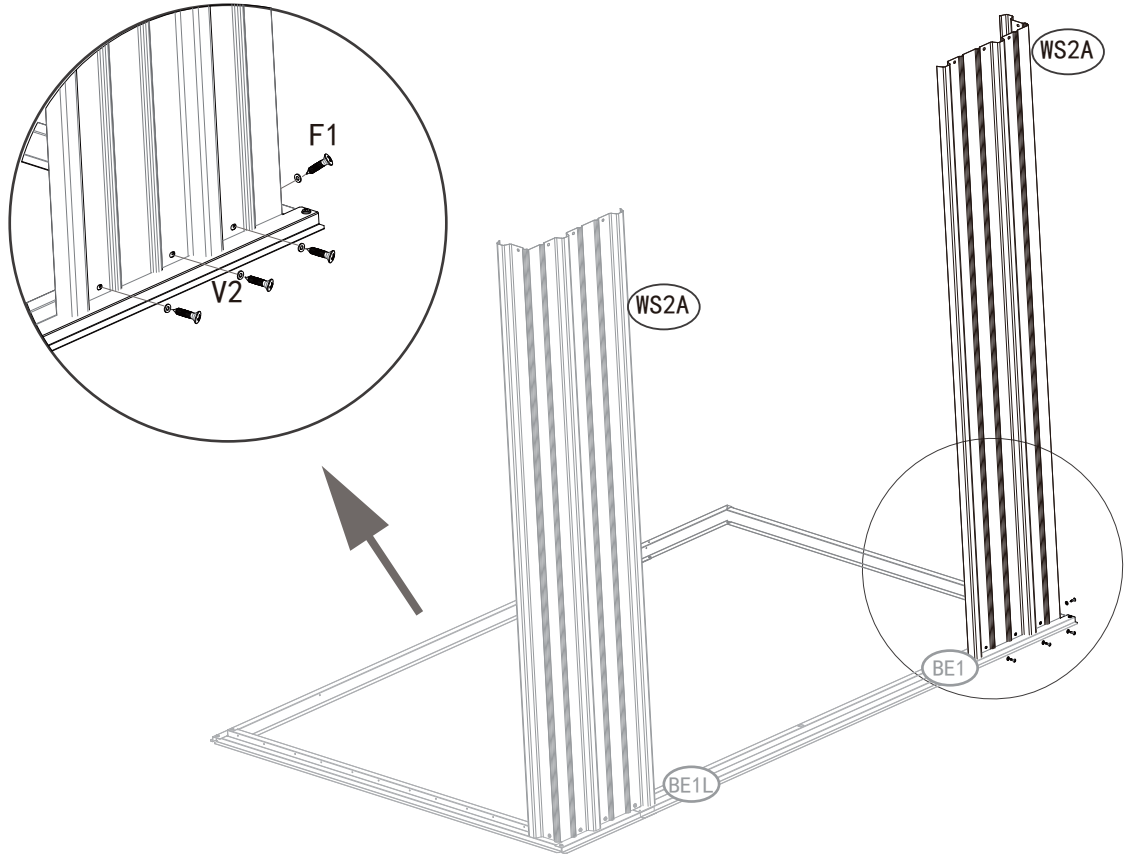
## Step5-1: Corner Panel Assembly

PART	NO.	Qty.	✓ List.
	WS2A	1	
	F1	4	
	V2	4	

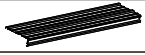




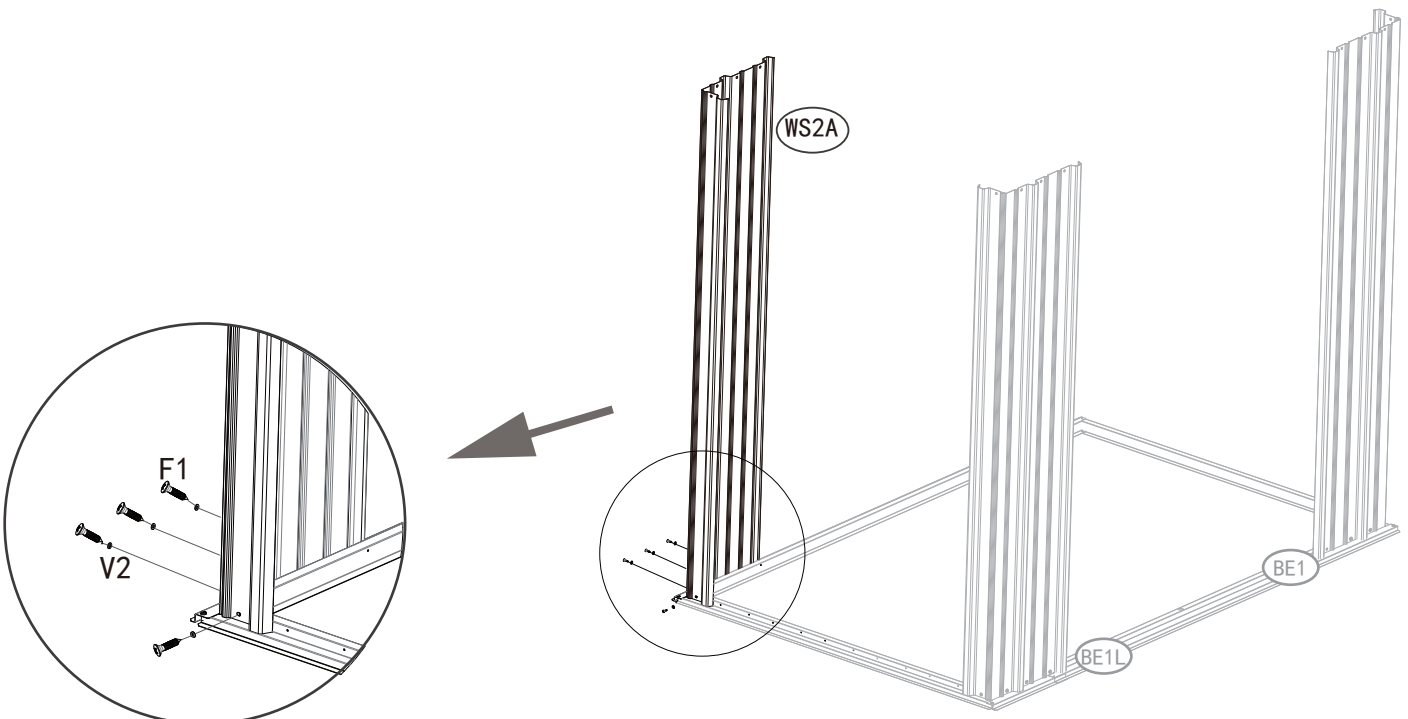
### Step5-2:Corner Panel Assembly

PART	NO.	Qty.	✓ List.
	WS2A	1	
	F1	4	
	V2	4	

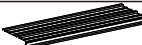




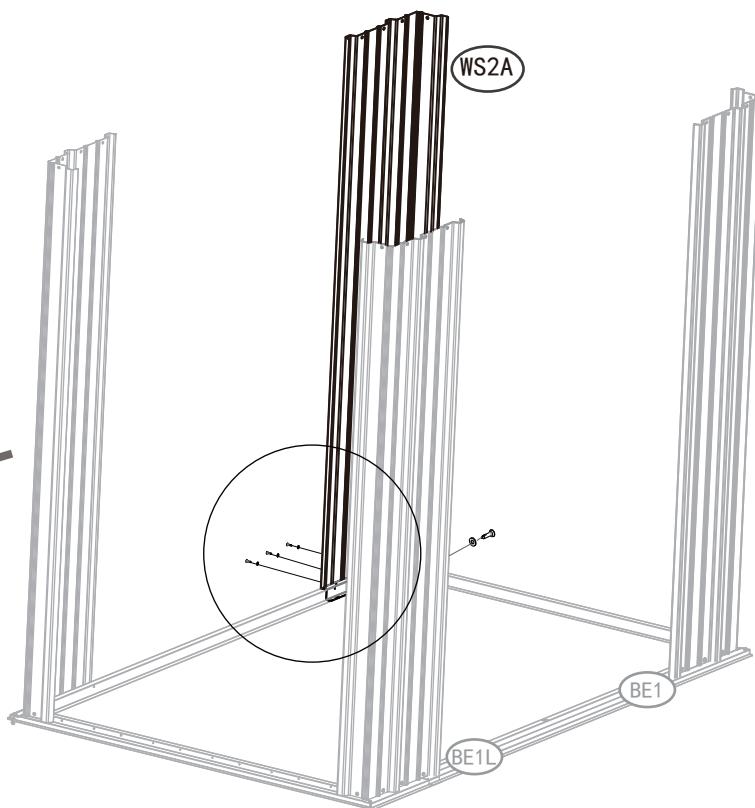
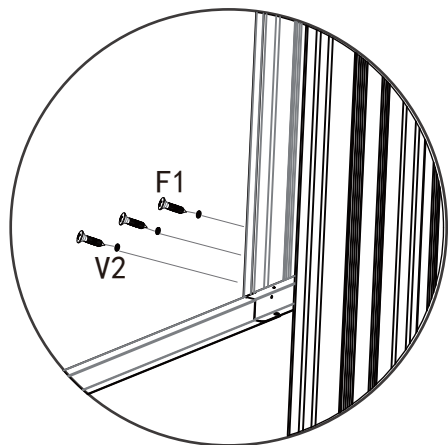
### Step5-3:Corner Panel Assembly

PART	NO.	Qty.	✓ List.
	WS2A	1	
	F1	4	
	V2	4	







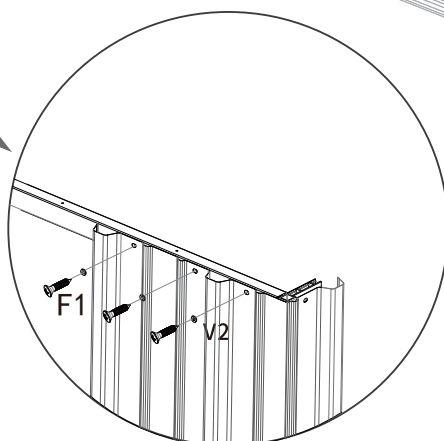
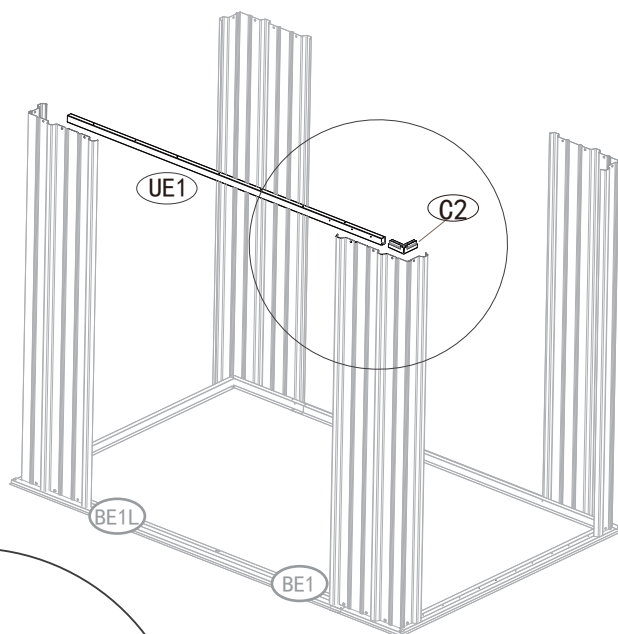
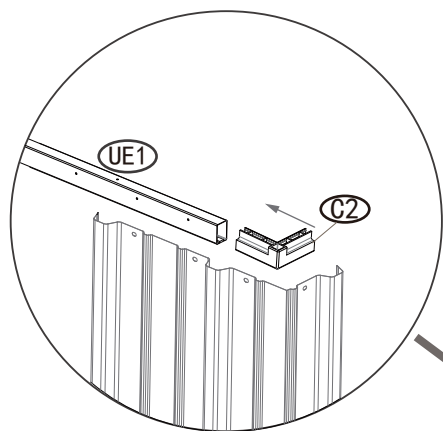
### Step5-4: Corner Panel Assembly

PART	NO.	Qty.	✓ List.
	WS2A	1	
	F1	4	
	V2	4	








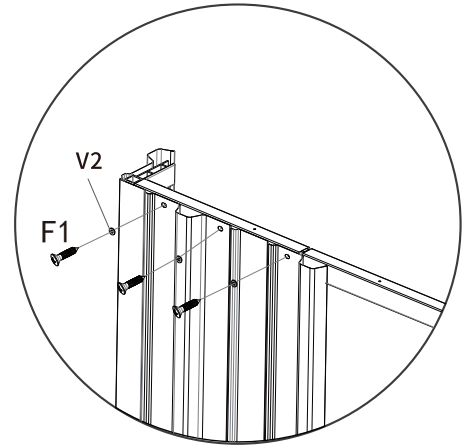
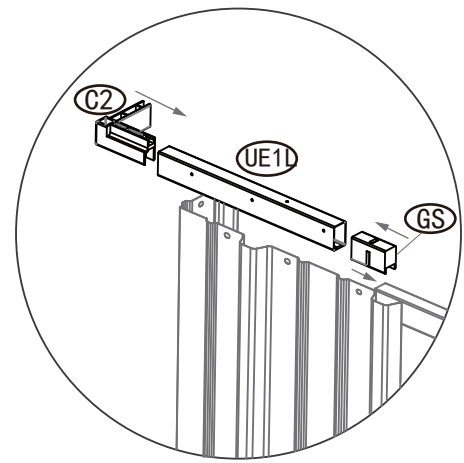
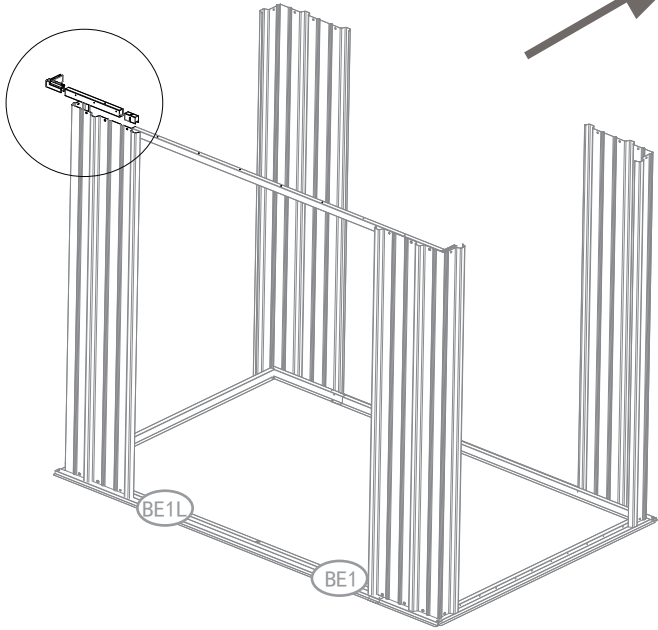
### Step6-1: Front Wall Frame Assembly

PART	NO.	Qty.	✓ List.
	UE1	1	
	C2	1	
	F1	3	
	V2	3	


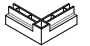




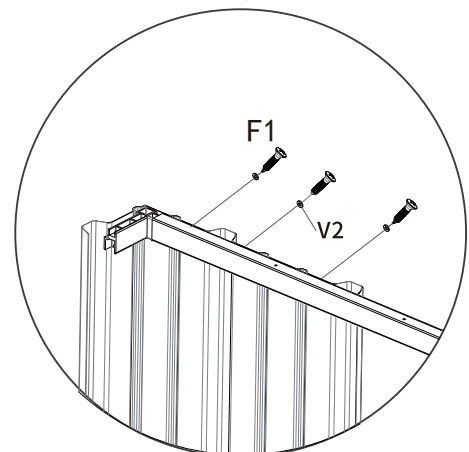
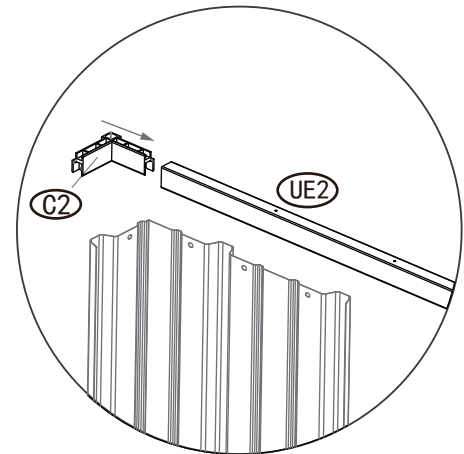
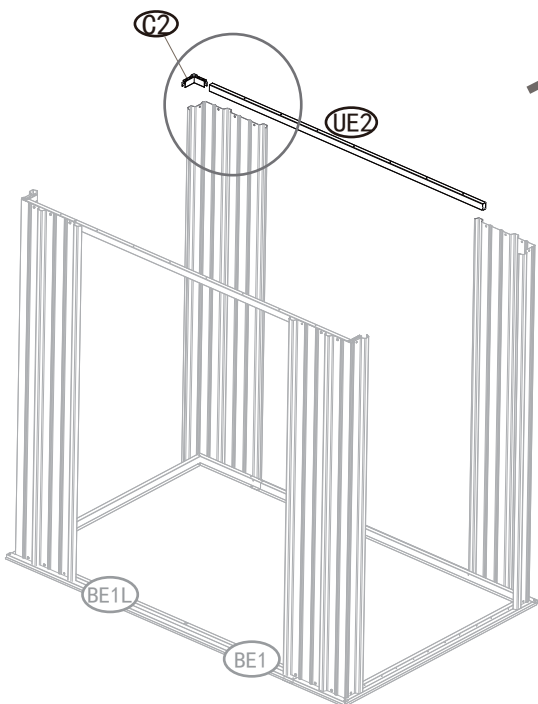
### Step6-2:Front Wall Frame Assembly

PART	NO.	Qty.	✓ List.
	UE1L	1	
	C2	1	
	GS	1	
	F1	3	
	V2	3	


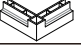





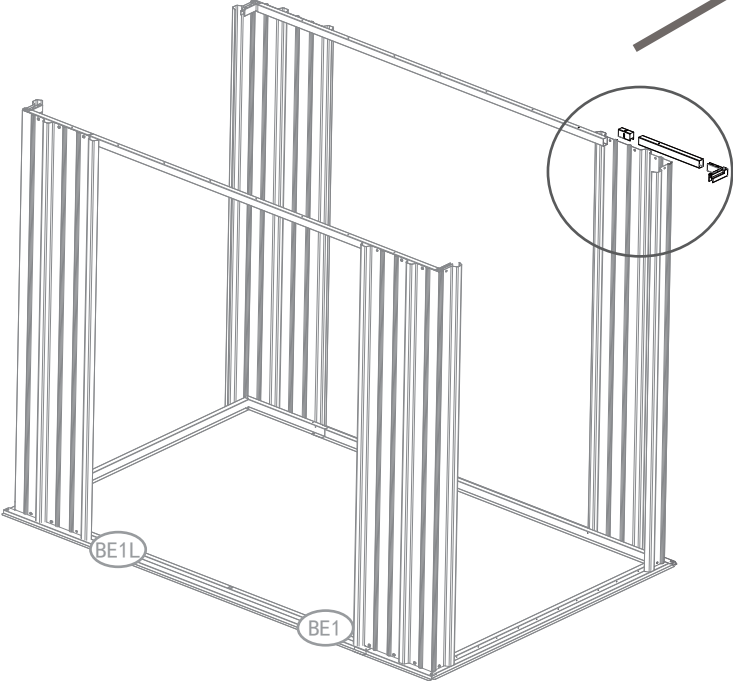
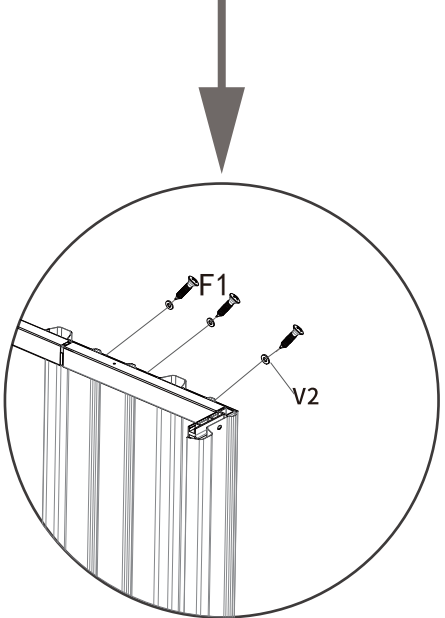
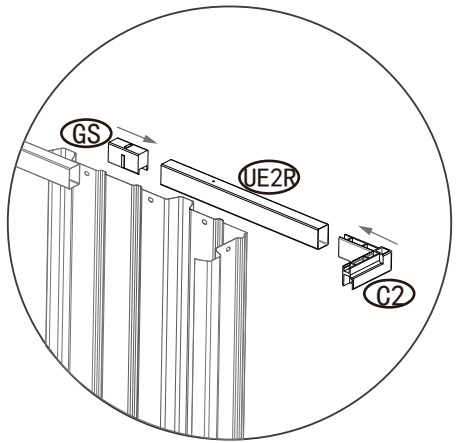
### Step6-3:Back Wall Frame Assembly

PART	NO.	Qty.	✓ List.
	UE2	1	
	C2	1	
	F1	3	
	V2	3	







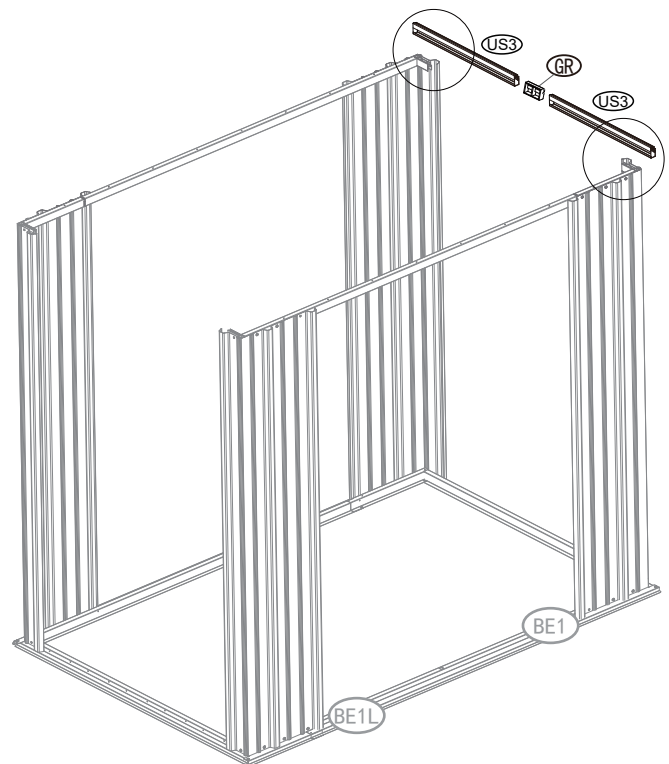
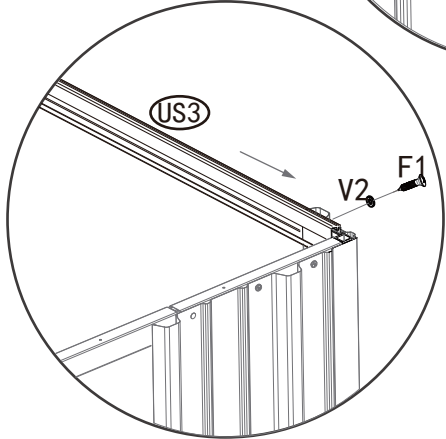
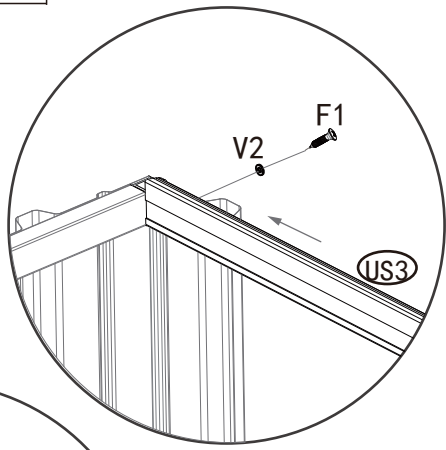
## Step6-4: Back Wall Frame Assembly





PART	NO.	Qty.	✓ List.
	UE2R	1	
	C2	1	
	GS	1	
	F1	3	
	V2	3	



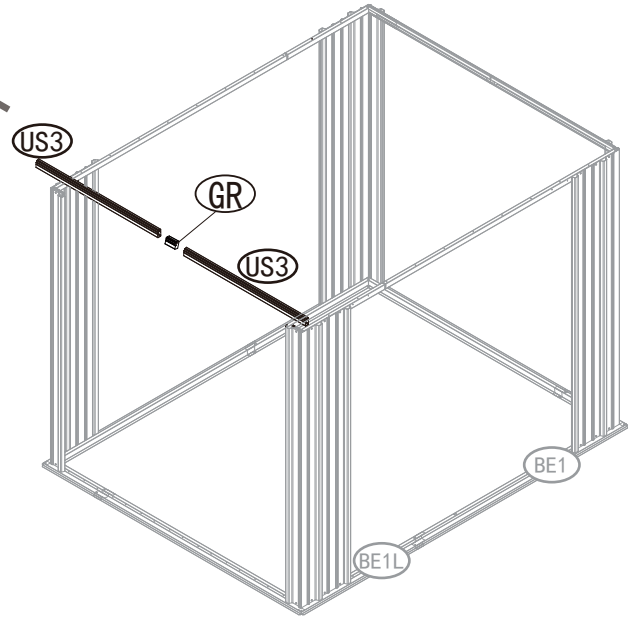
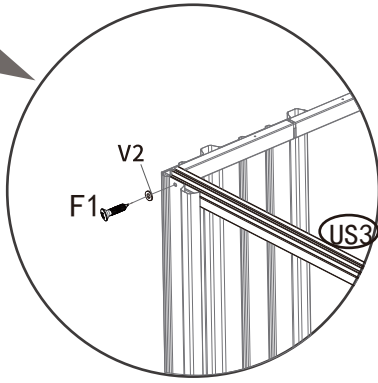
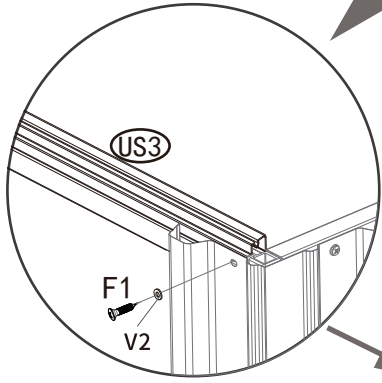
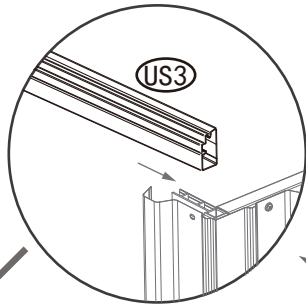
## Step7-1: Side Wall Frame Assembly




PART	NO.	Qty.	✓ List.
	US3	2	
	GR	1	
	F1	2	
	V2	2	



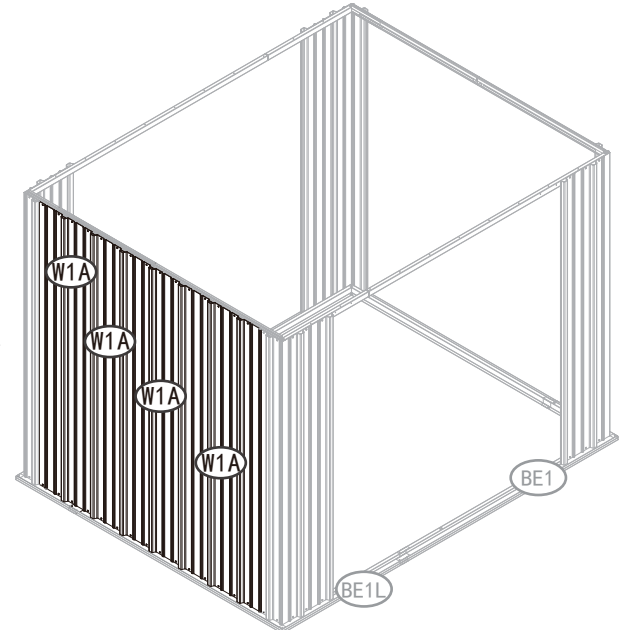
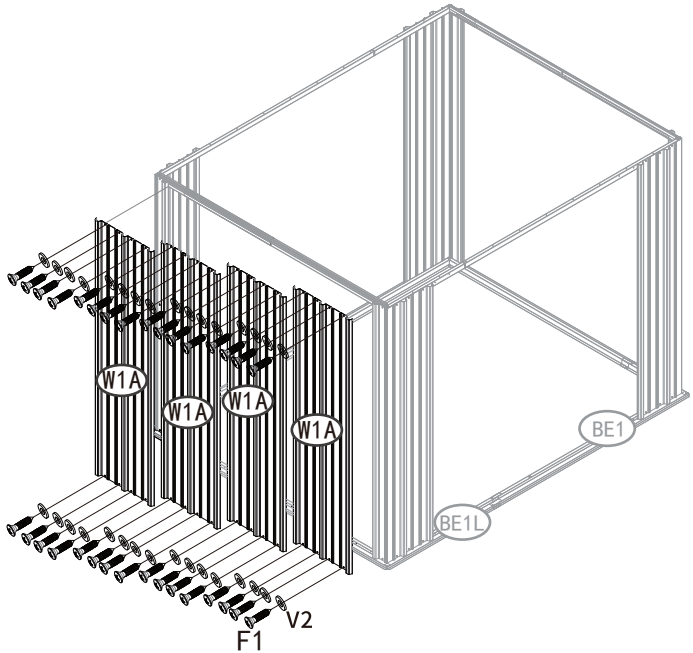
PART	NO.	Qty.	✓ List.
	US3	2	
	GR	1	
	F1	2	
	V2	2	

### Step7-2: Side Wall Frame Assembly






PART	NO.	Qty.	✓ List.
	W1A	4	
	F1	32	
	V2	32	

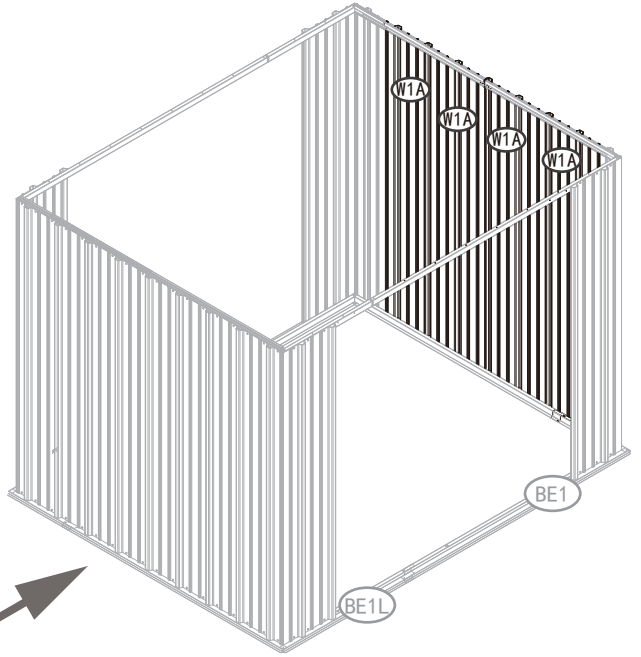
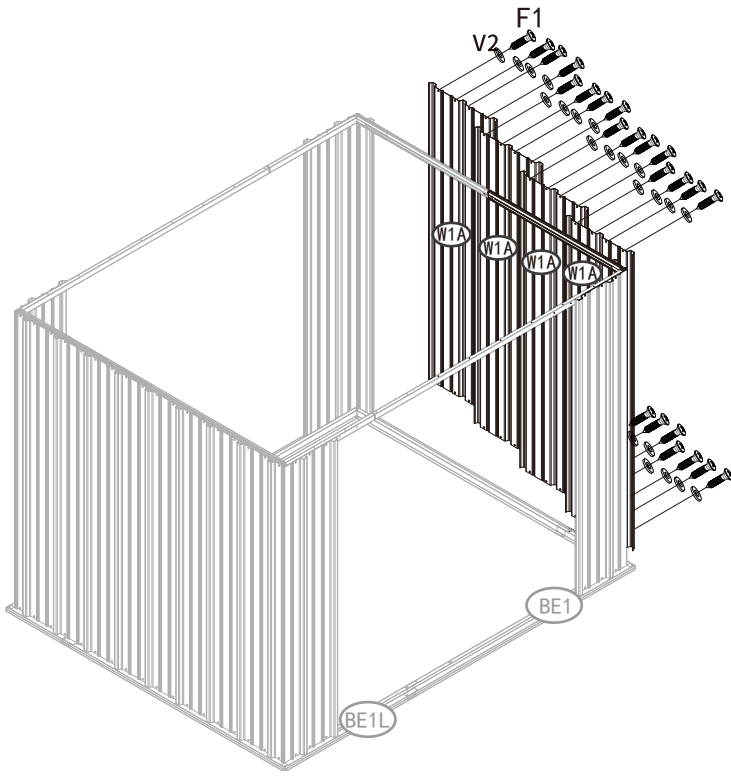
### Step8: Left Wall Panel Assembly








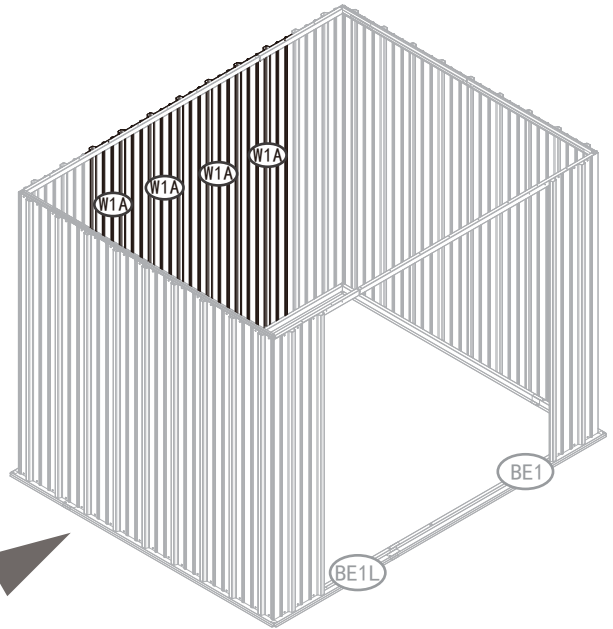
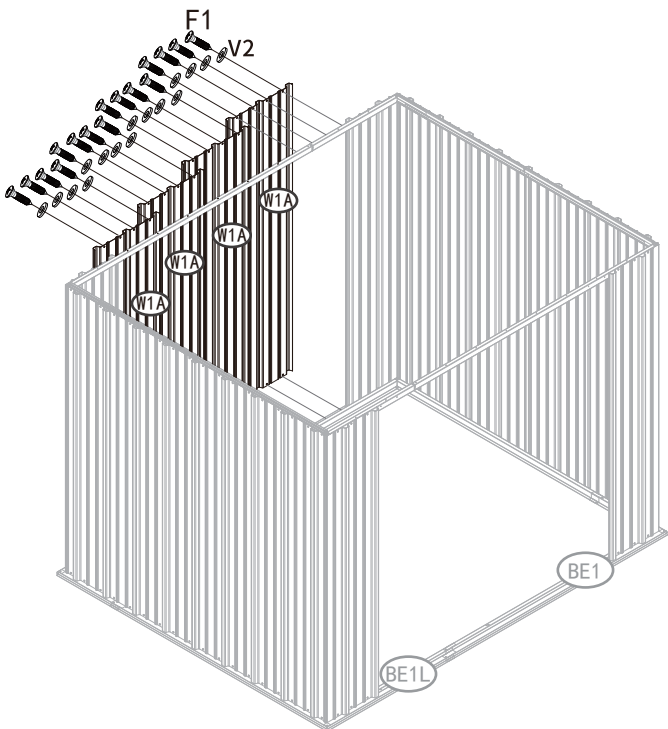
PART	NO.	Qty.	✓ List.
	W1A	4	
	F1	32	
	V2	32	

Step9:Right Wall Assembly






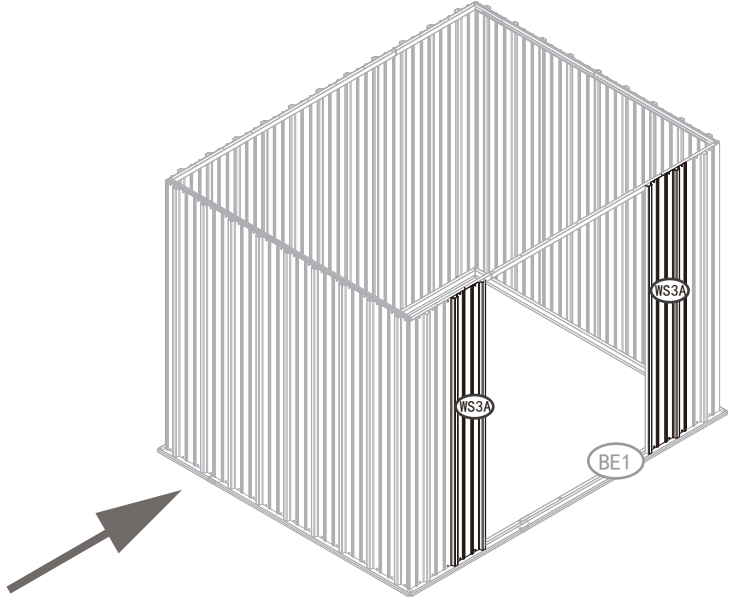
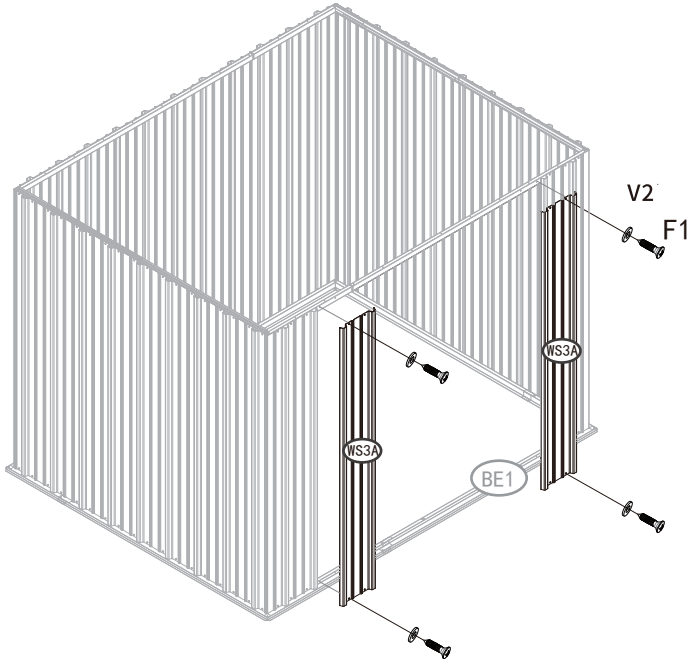
PART	NO.	Qty.	✓ List.
	W1A	4	
	F1	32	
	V2	32	

Step10:Back Wall Assembly







## Step11:Front Wall Panel Assembly

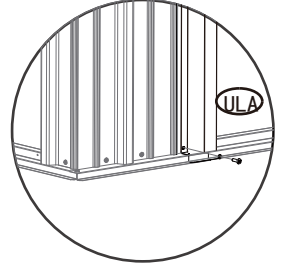
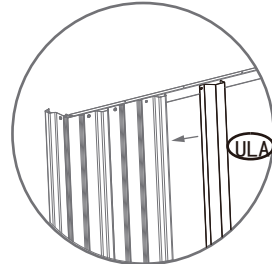
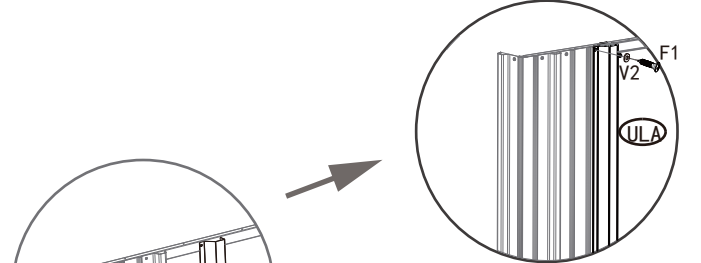
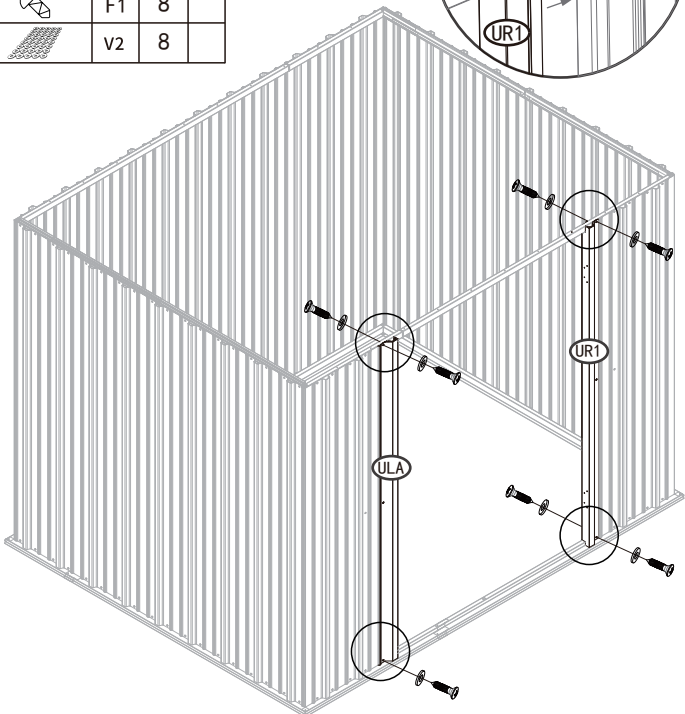
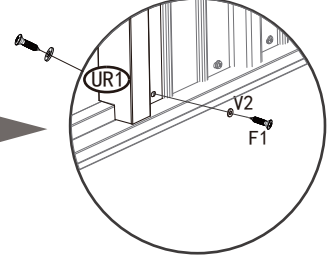
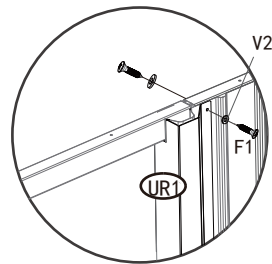
PART	NO.	Qty.	✓ List.
	WS3A	2	
	F1	4	
	V2	4	



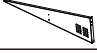





## Step12:Door Jamp Assembly

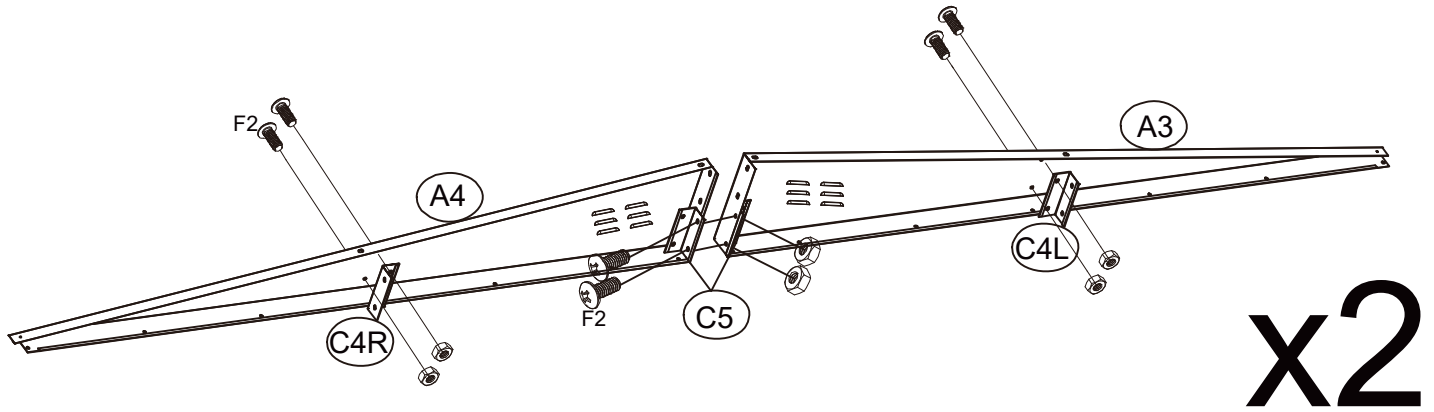
Make sure the wall panels on BOTH sides are fully covered and tightly fixed with door jamps (i.e. ULA & UR1) without gap before installing the door panels. Otherwise the door may not work as normal.

PART	NO.	Qty.	✓ List.
	ULA	1	
	UR1	1	
	F1	8	
	V2	8	





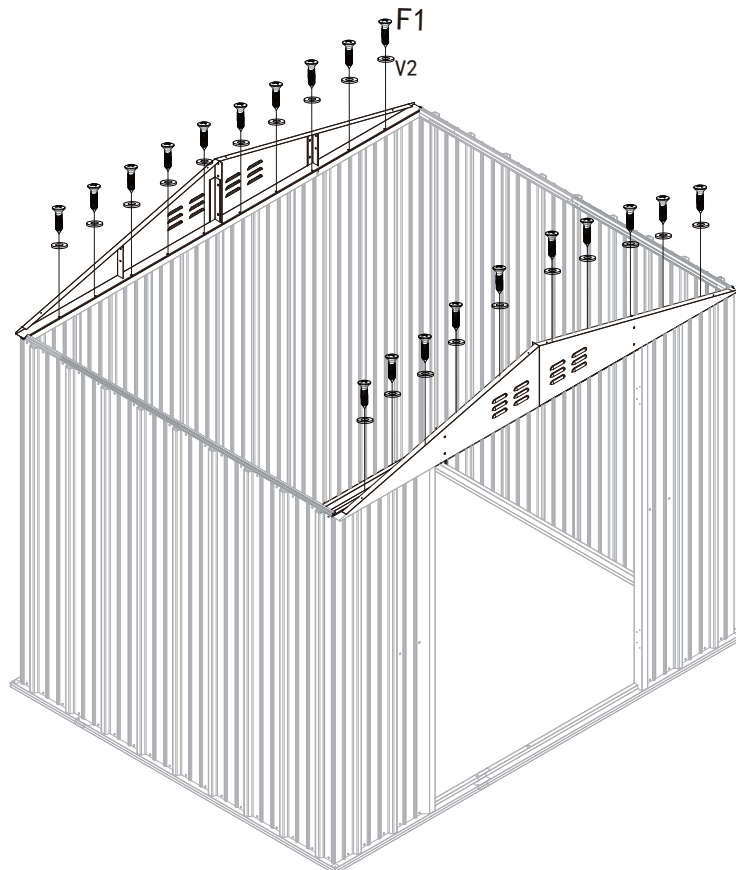
### Step13-1: Gable Connection

PART	NO.	Qty.	✓ List.
	A3	2	
	A4	2	
	C4L	2	
	C4R	2	
	C5	4	
	F2	12	






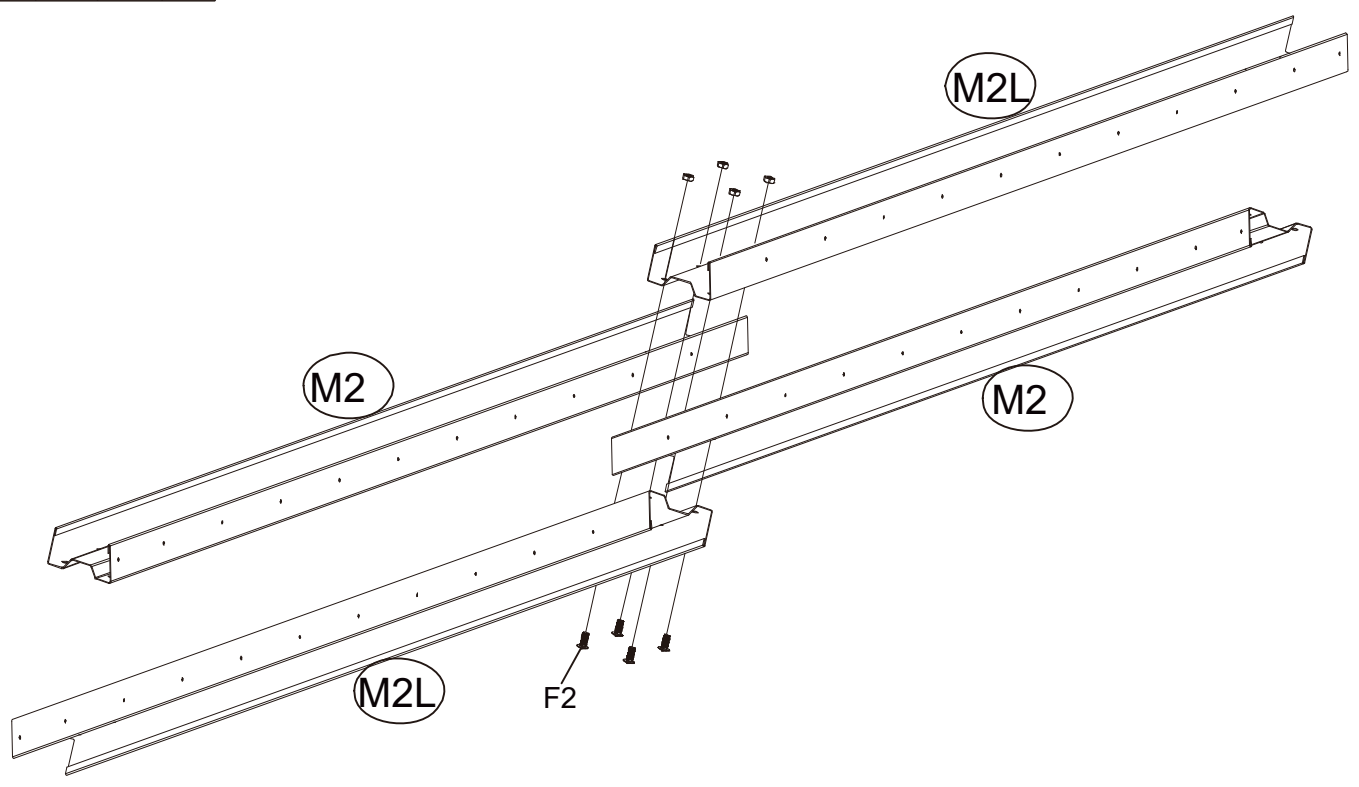
### Step13-2: Gable Assembly

PART	NO.	Qty.	✓ List.
	F1	20	
	V2	20	




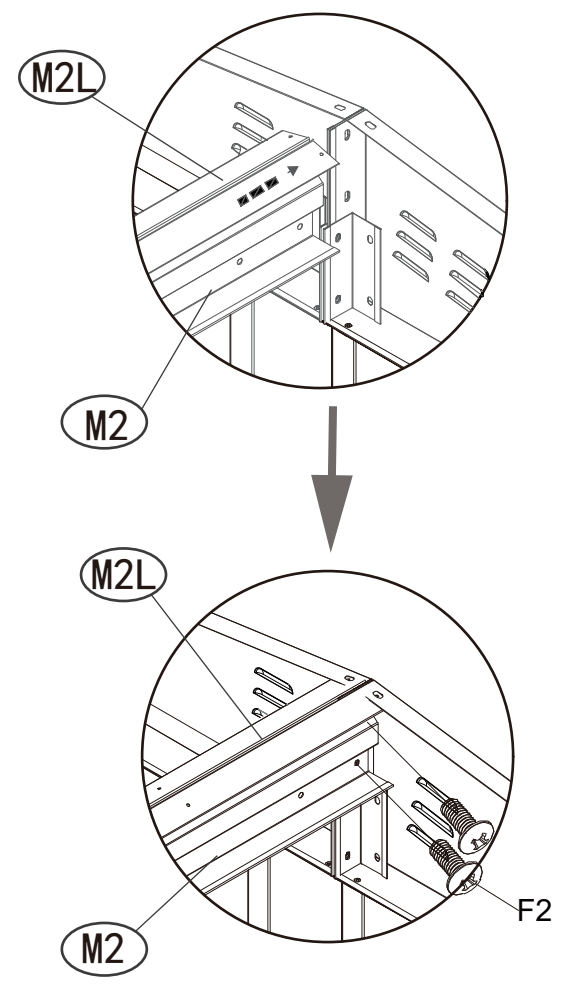
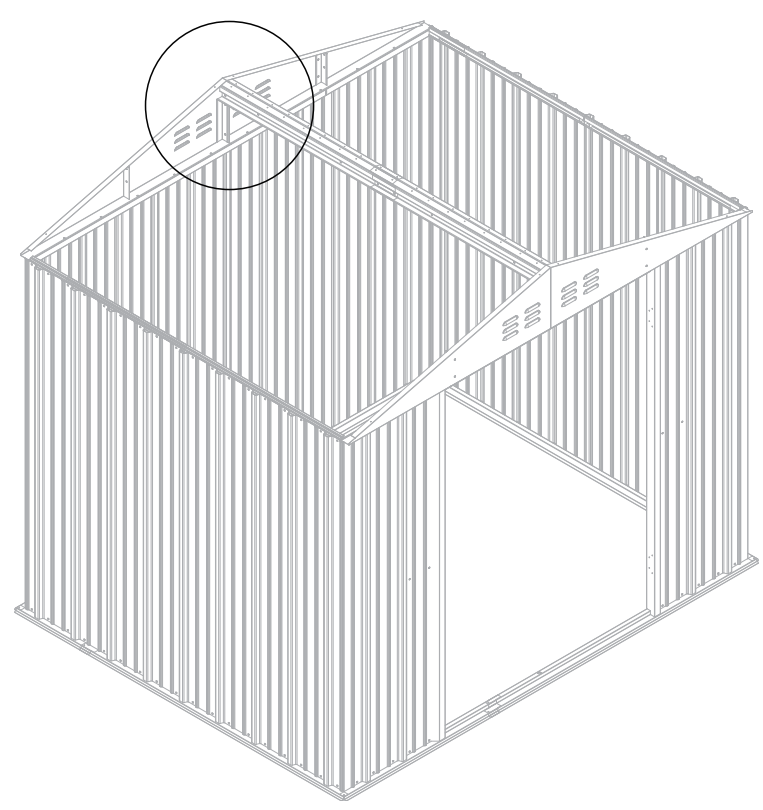
Step14-1: Middle Roof Frame Connection




PART	NO.	Qty.	✓ List.
	M2	2	
	M2L	2	
	F2	4	



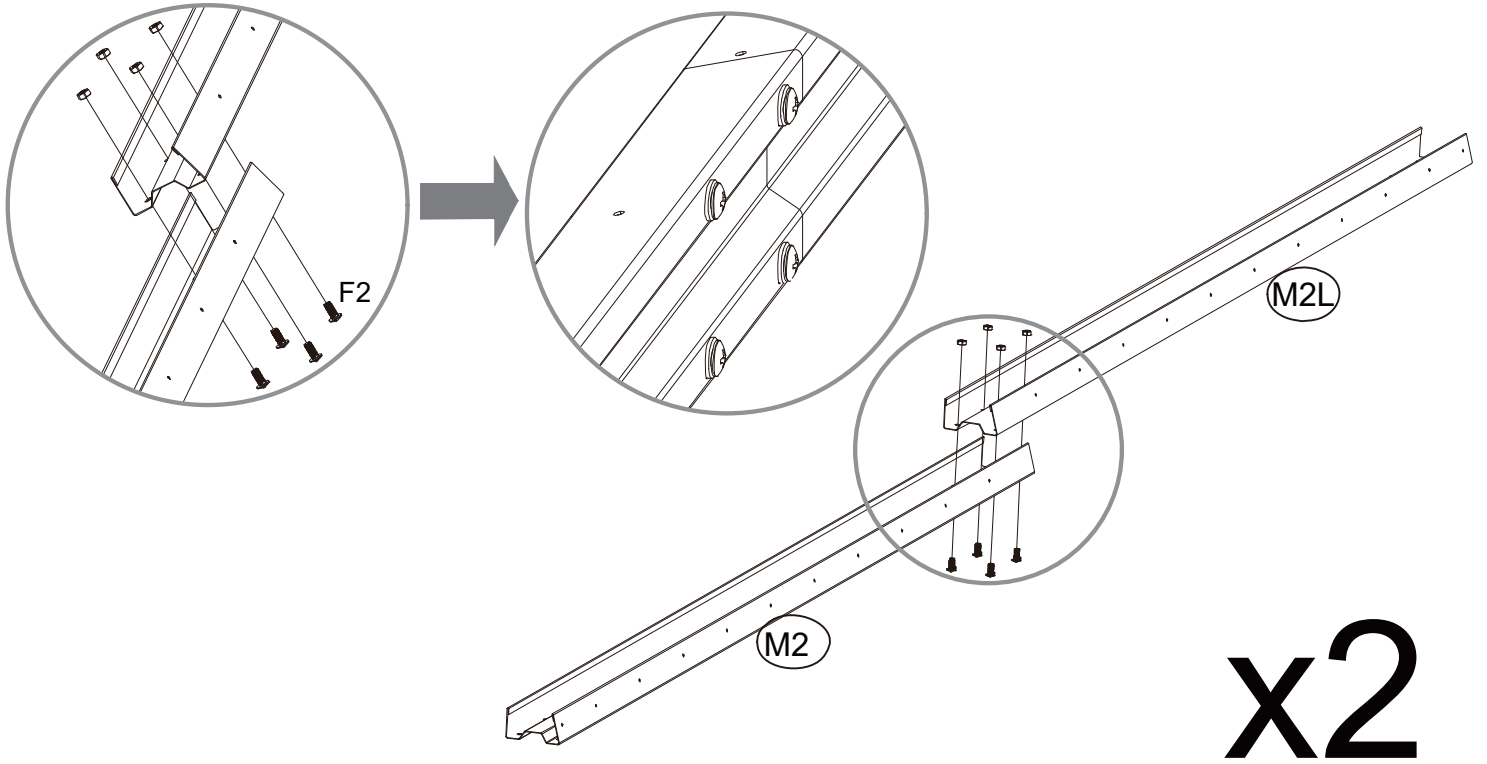
Step14-2: Middle Roof Frame Assembly


PART	NO.	Qty.	✓ List.
	F2	4	



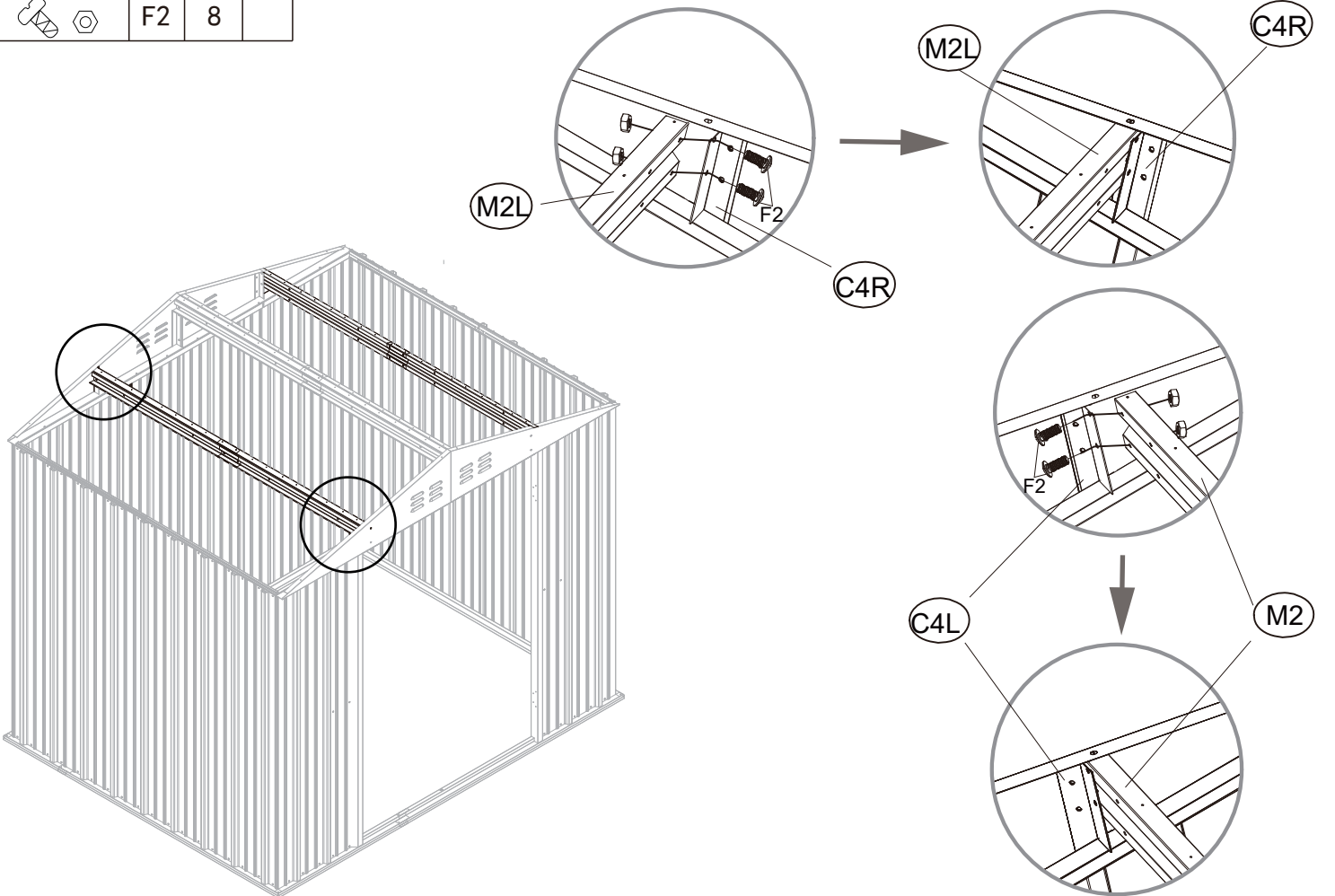
PART	NO.	Qty.	✓ List.
	M2	2	
	M2L	2	
	F2	8	

### Step15-1: Side Roof Frame Connection









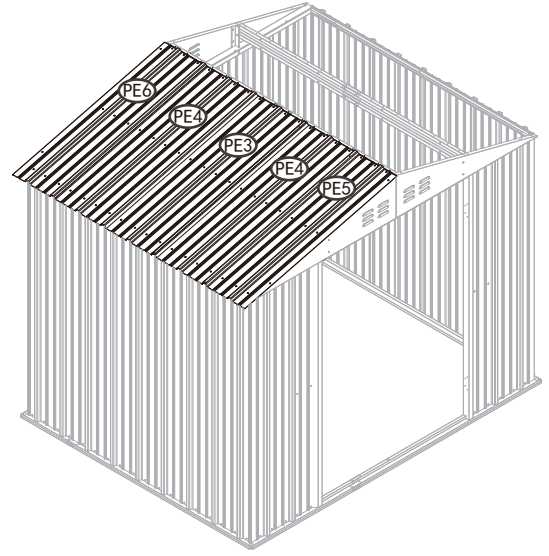
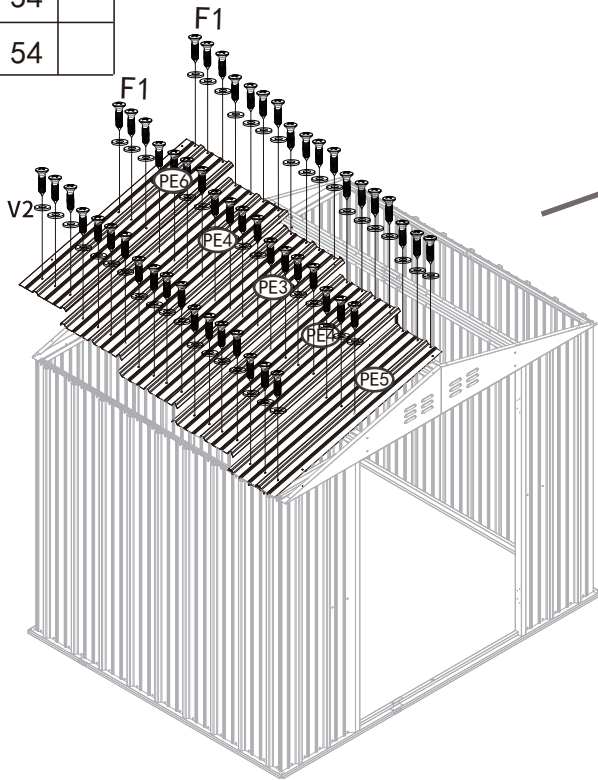
PART	NO.	Qty.	✓ List.
	F2	8	

### Step15-2: Side Roof Frame Assembly









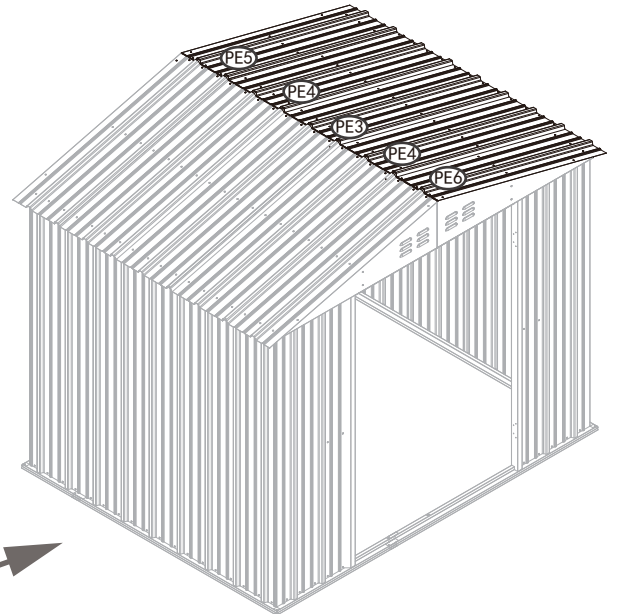
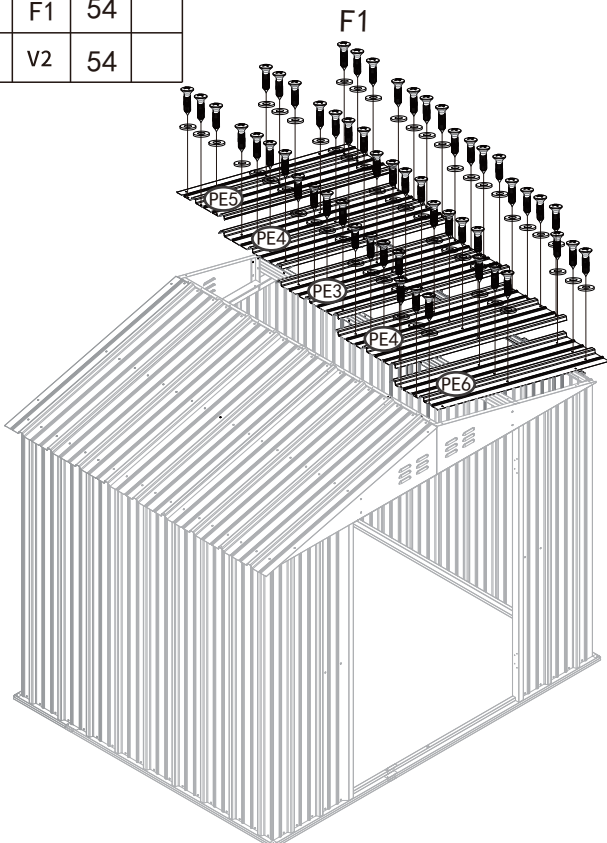
### Step16:Left Roof Panel Assembly





PART	NO.	Qty.	✓ List.
	PE3	1	
	PE4	2	
	PE5	1	
	PE6	1	
	F1	54	
	V2	54	



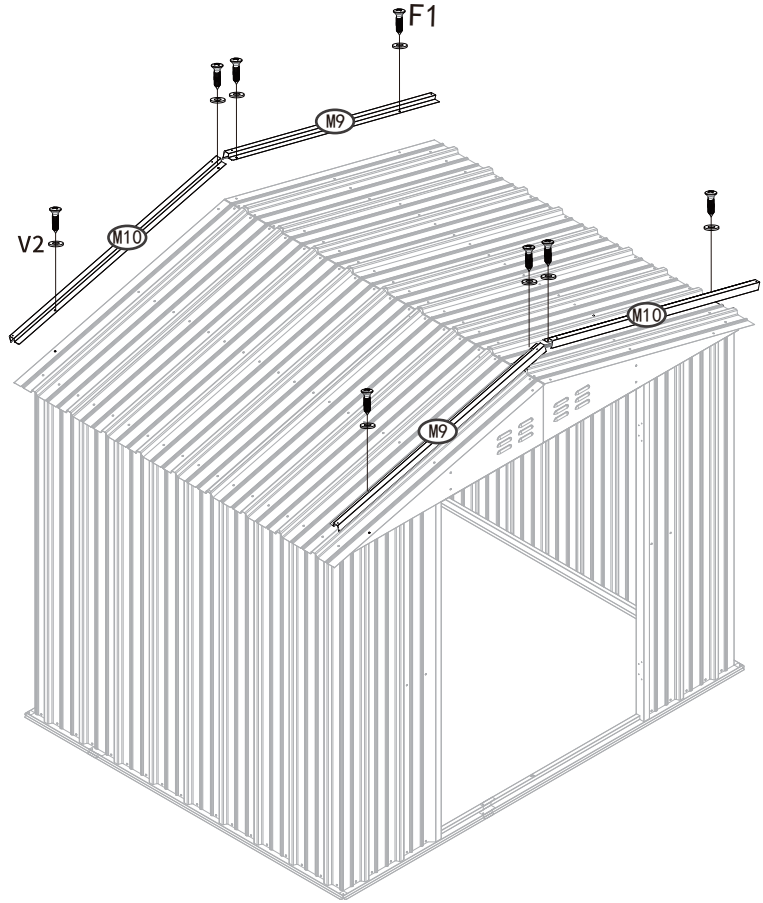
### Step17:Right Roof Panel Assembly



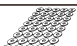
PART	NO.	Qty.	✓ List.
	PE3	1	
	PE4	2	
	PE5	1	
	PE6	1	
	F1	54	
	V2	54	



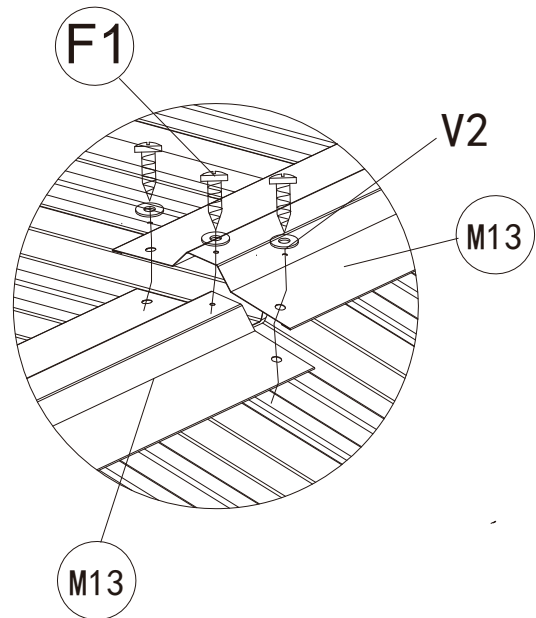
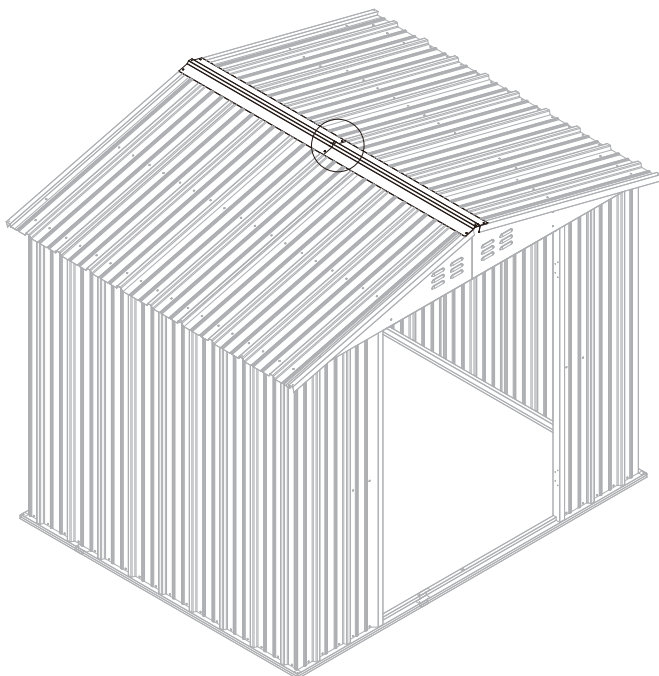
PART	NO.	Qty.	✓ List.
	M9	2	
	M10	2	
	F1	8	
	V2	8	




### Step18:Fascia Trim Assembly



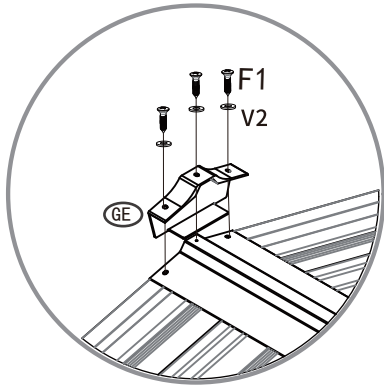
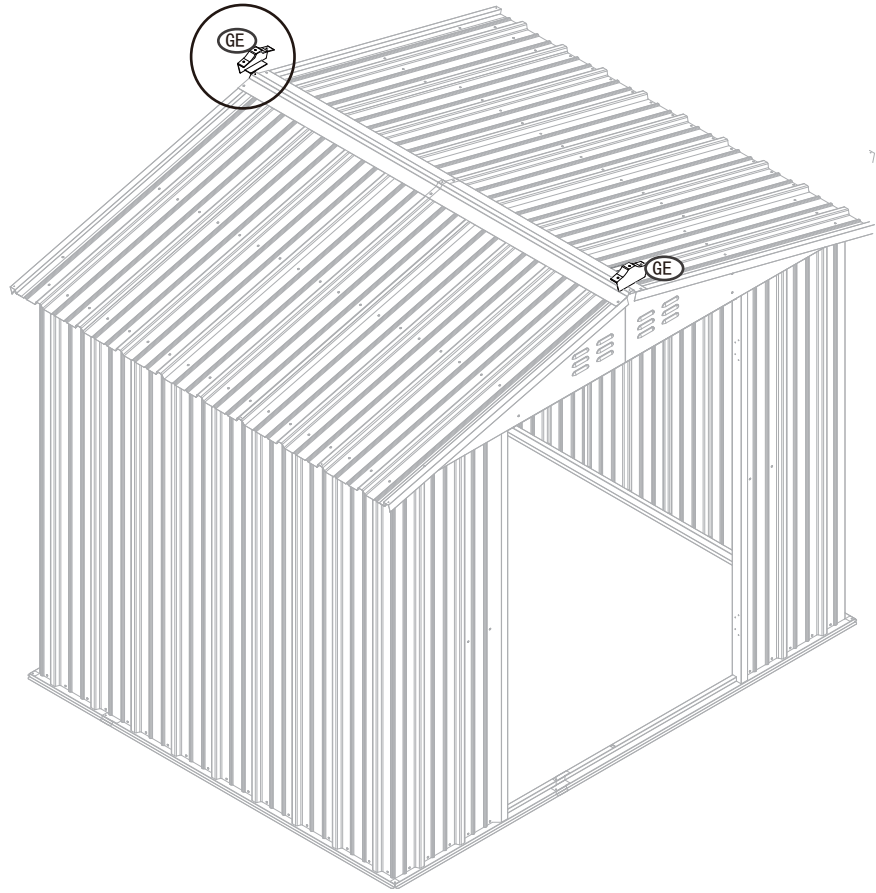
PART	NO.	Qty.	✓ List.
	M13	2	
	F1	3	
	V2	3	

### Step19:Ridge Cap Assembly






PART	NO.	Qty.	✓ List.
	GE	2	
	F1	6	
	V2	6	

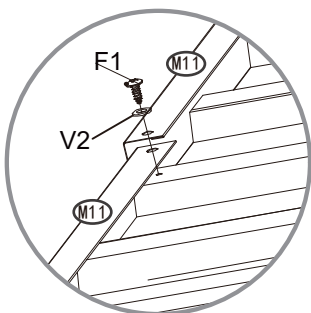
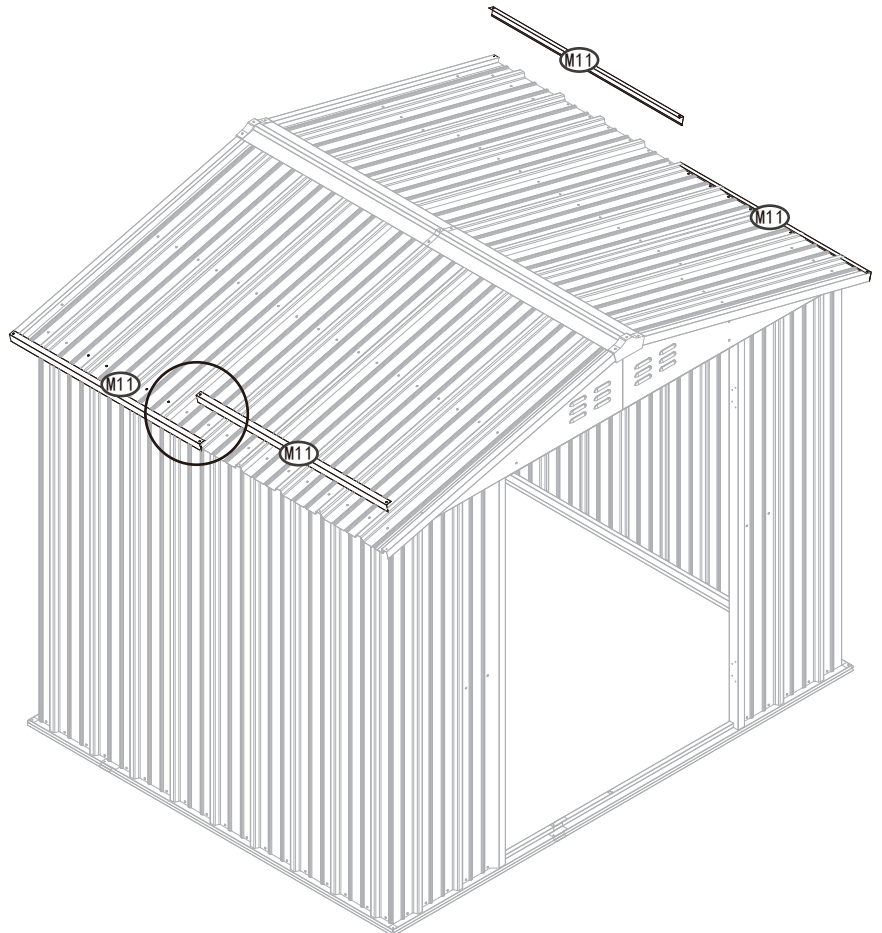
### Step20:Ridge Plastic Cap Assembly



**x2**




PART	NO.	Qty.	✓ List.
	M11	4	
	F1	2	
	V2	2	

### Step21:Side Fascia Trim Assembly

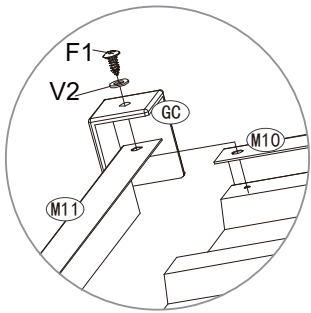
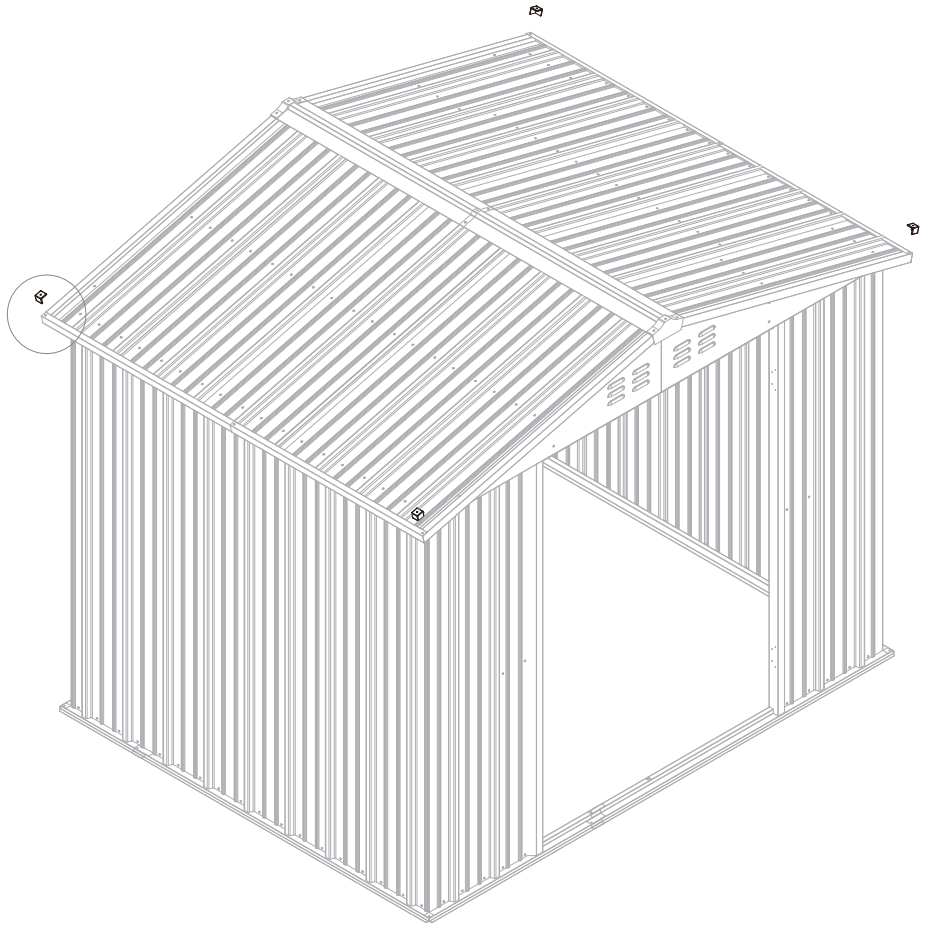


**x2**



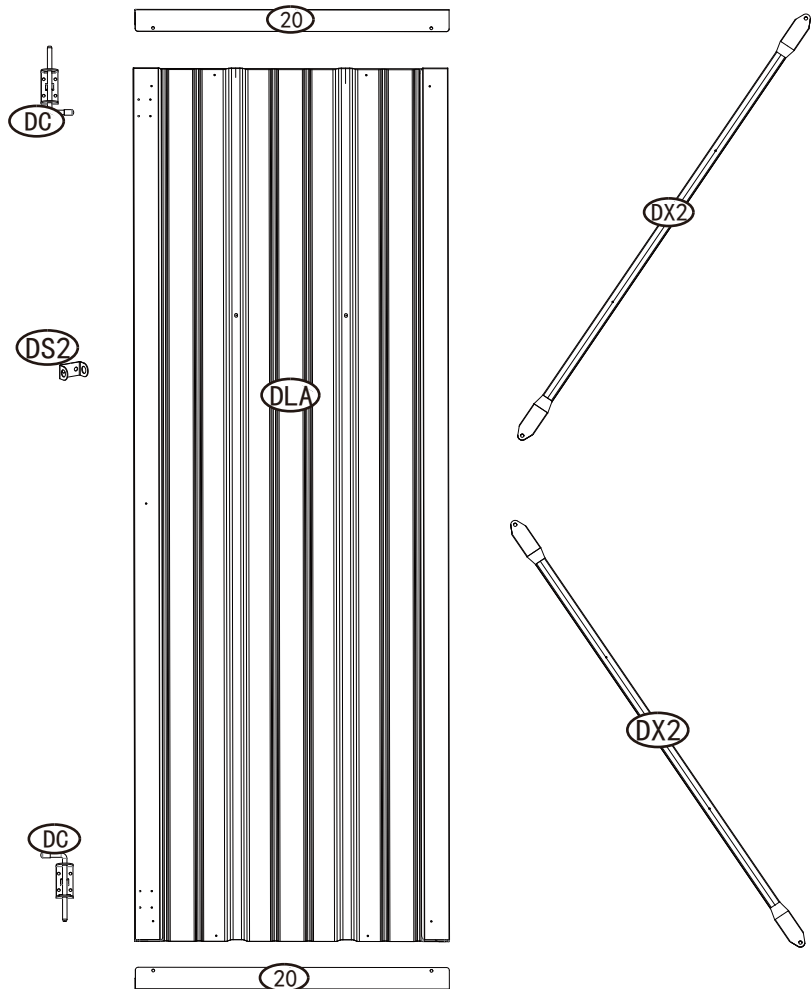
PART	NO.	Qty.	✓ List.
	GC	4	
	F1	4	
	V2	4	

Step22:Corner Plastic Cap Assembly



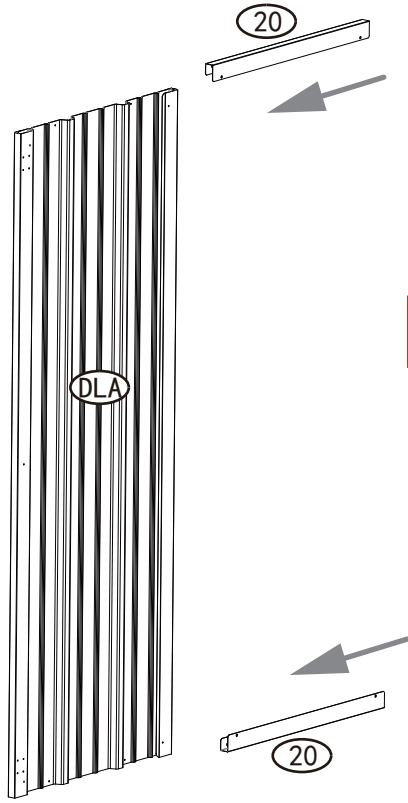
x4

Step23-1:Left Door Assembly



### Step23-2: Left Door Assembly

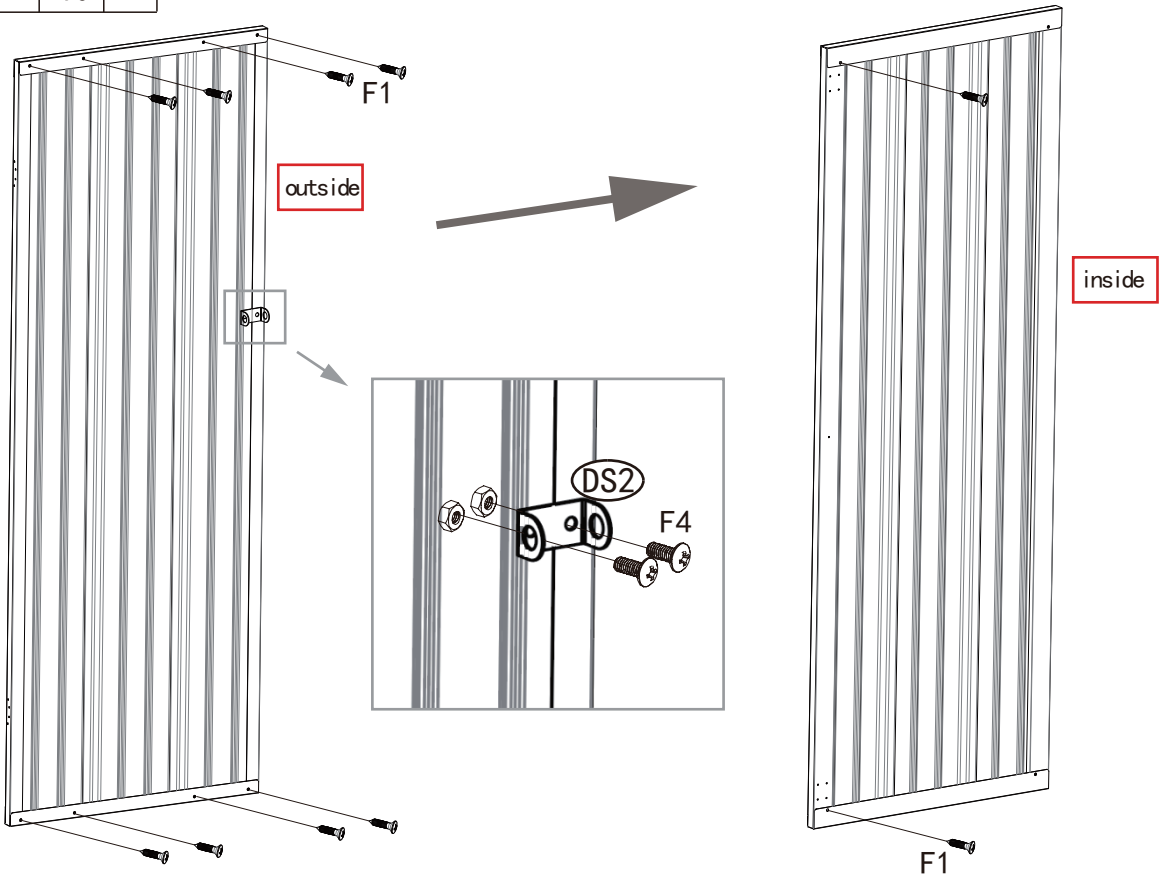
PART	NO.	Qty.	✓ List.
	20	2	
	DLA	1	




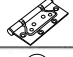


Note: make clear the front and back of the door panel

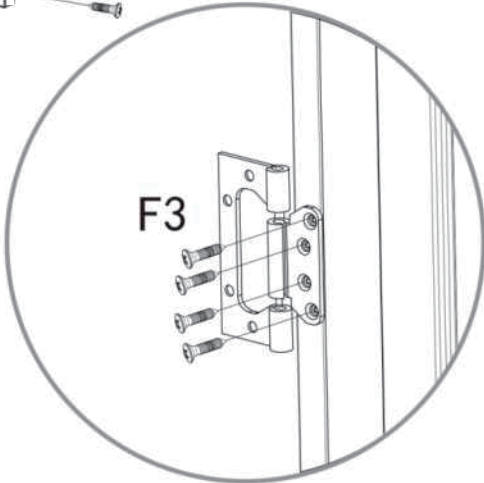
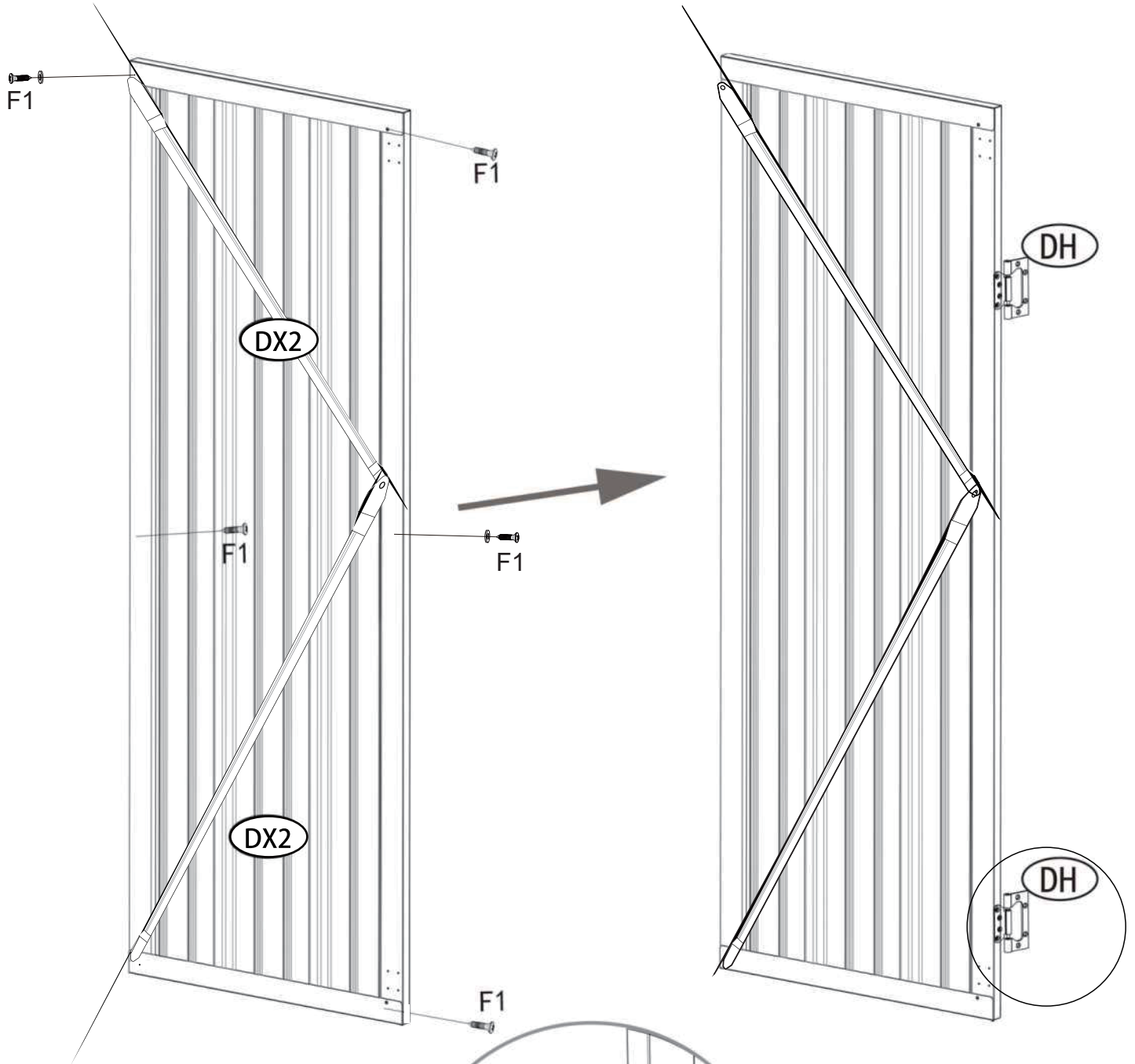
PART	NO.	Qty.	✓ List.
	DS2	1	
	F4	2	
	F1	10	

### Step23-3: Left Door Assembly





# Step23-4:Left Door Assembly

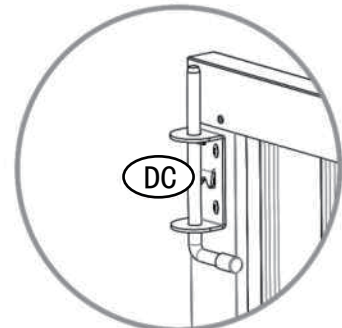
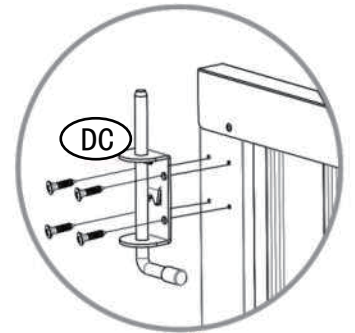
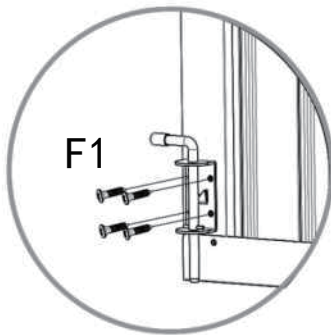
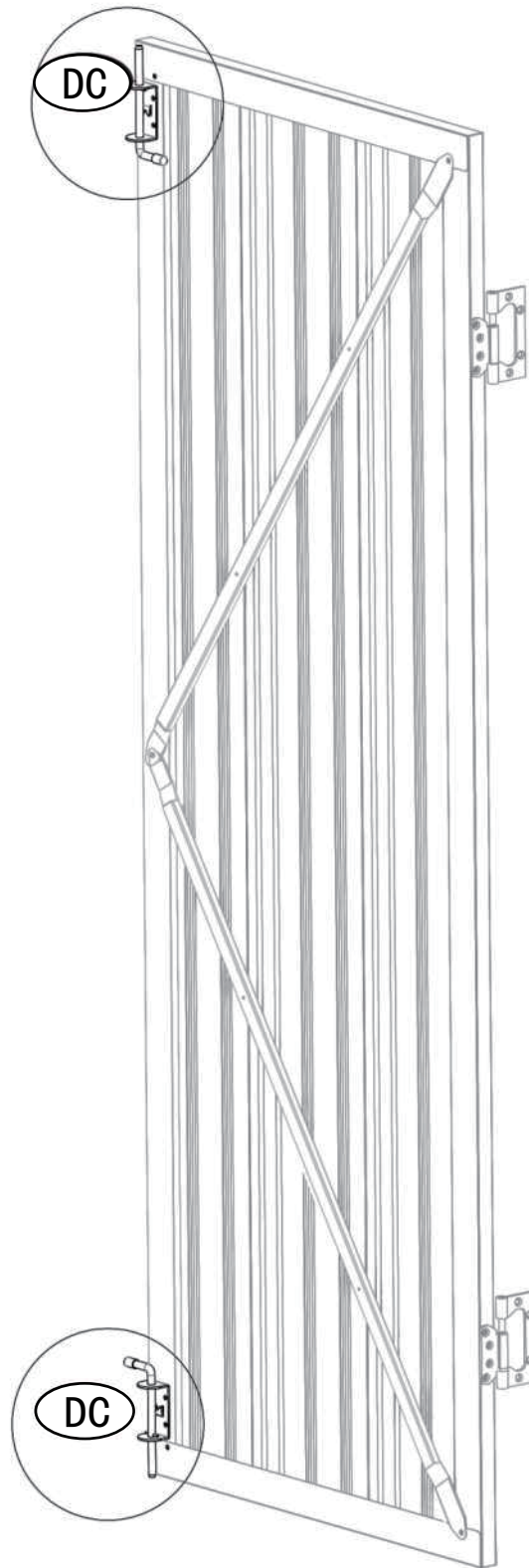
PART	NO.	Qty.	✓ List.
	DX2	2	
	DH	2	
	F1	3	
	F3	8	

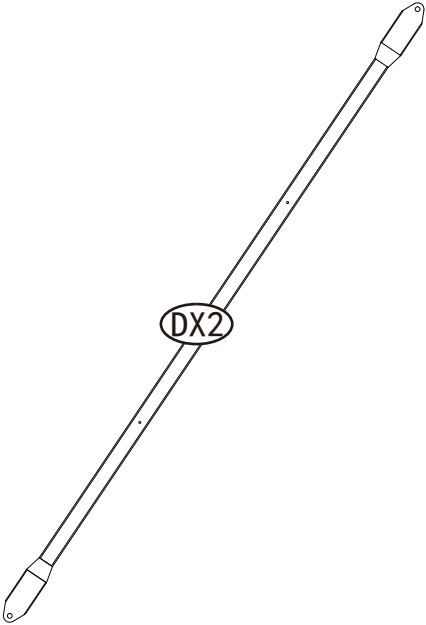
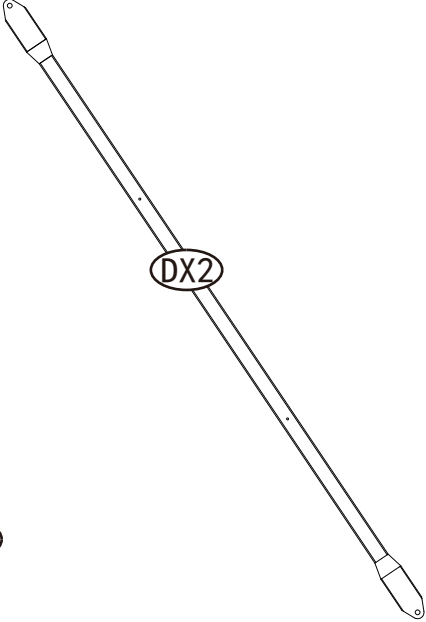
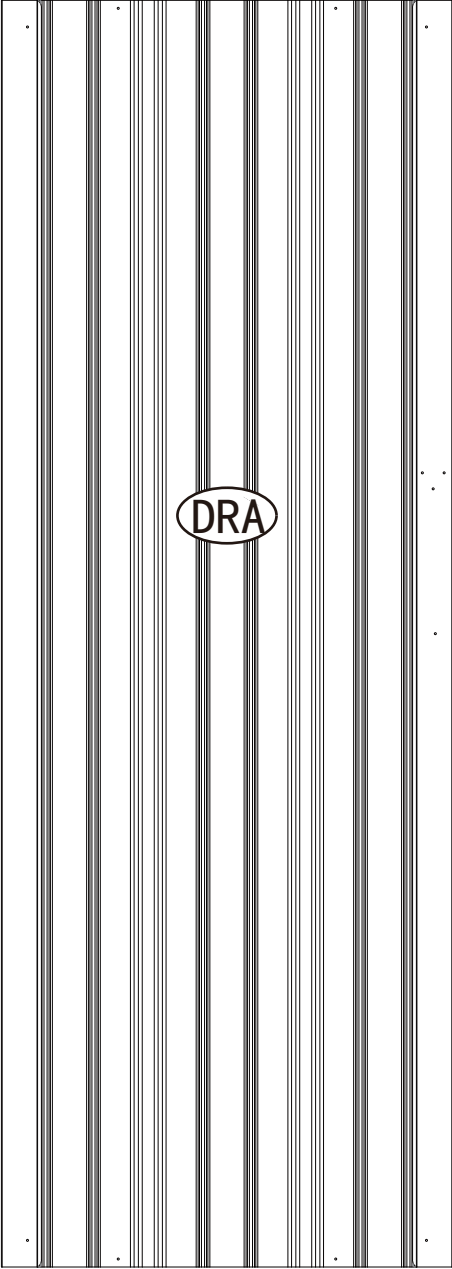


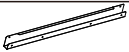
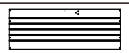
**X2**

PART	NO.	Qty.	✓ List.
	DC	2	
	F1	8	

Step23-5: Left Door Assembly



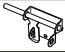




PART	NO.	Qty.	✓ List.
	20	2	
	DRA	1	

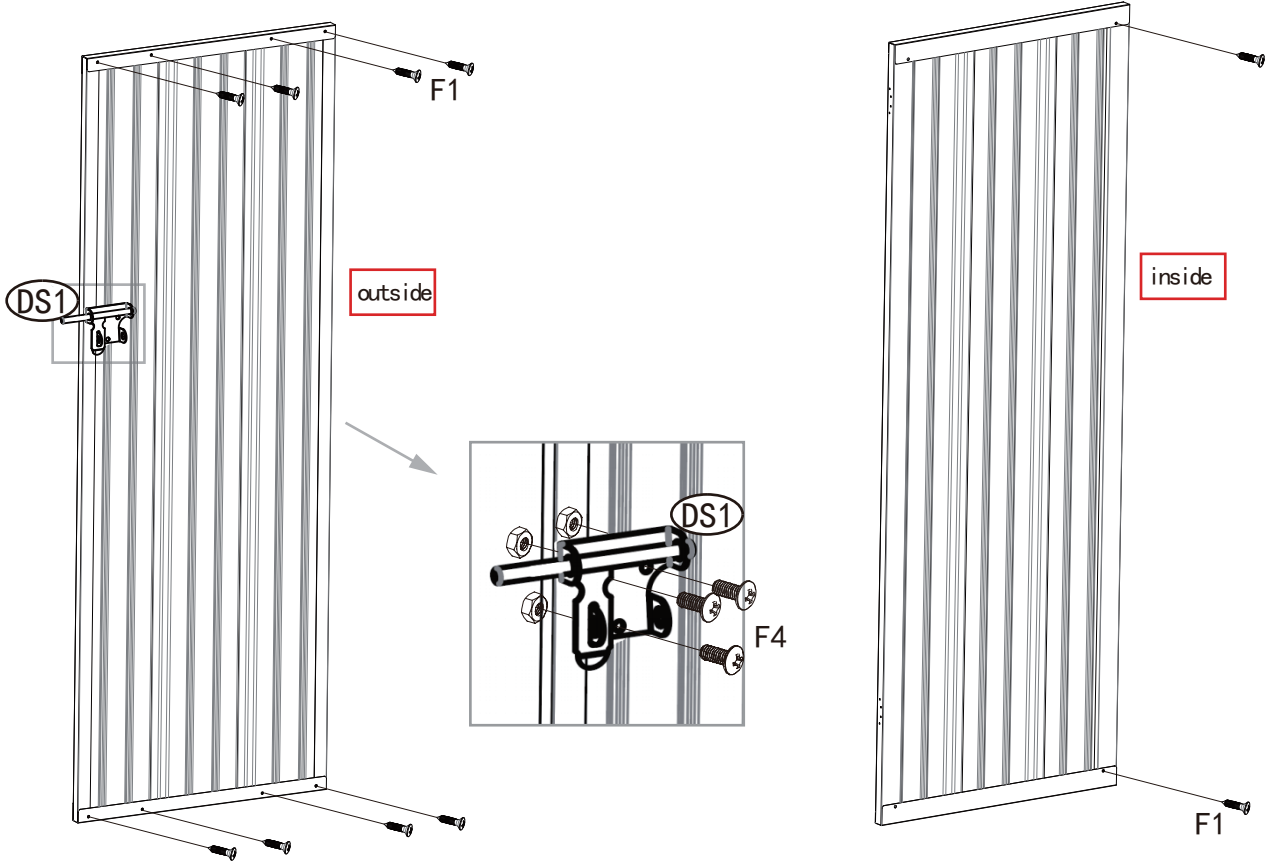
Step24-1: Right Door Assembly







Note: make clear the front and back of the door panel

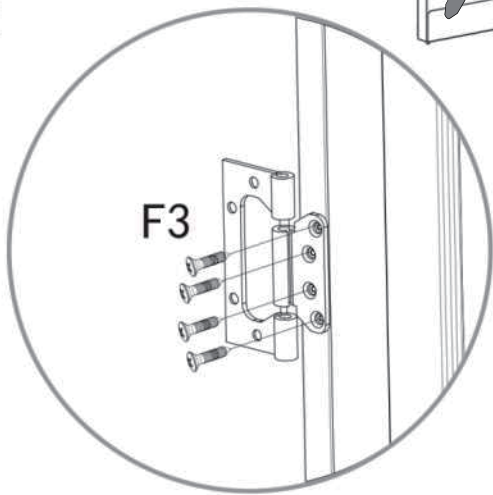
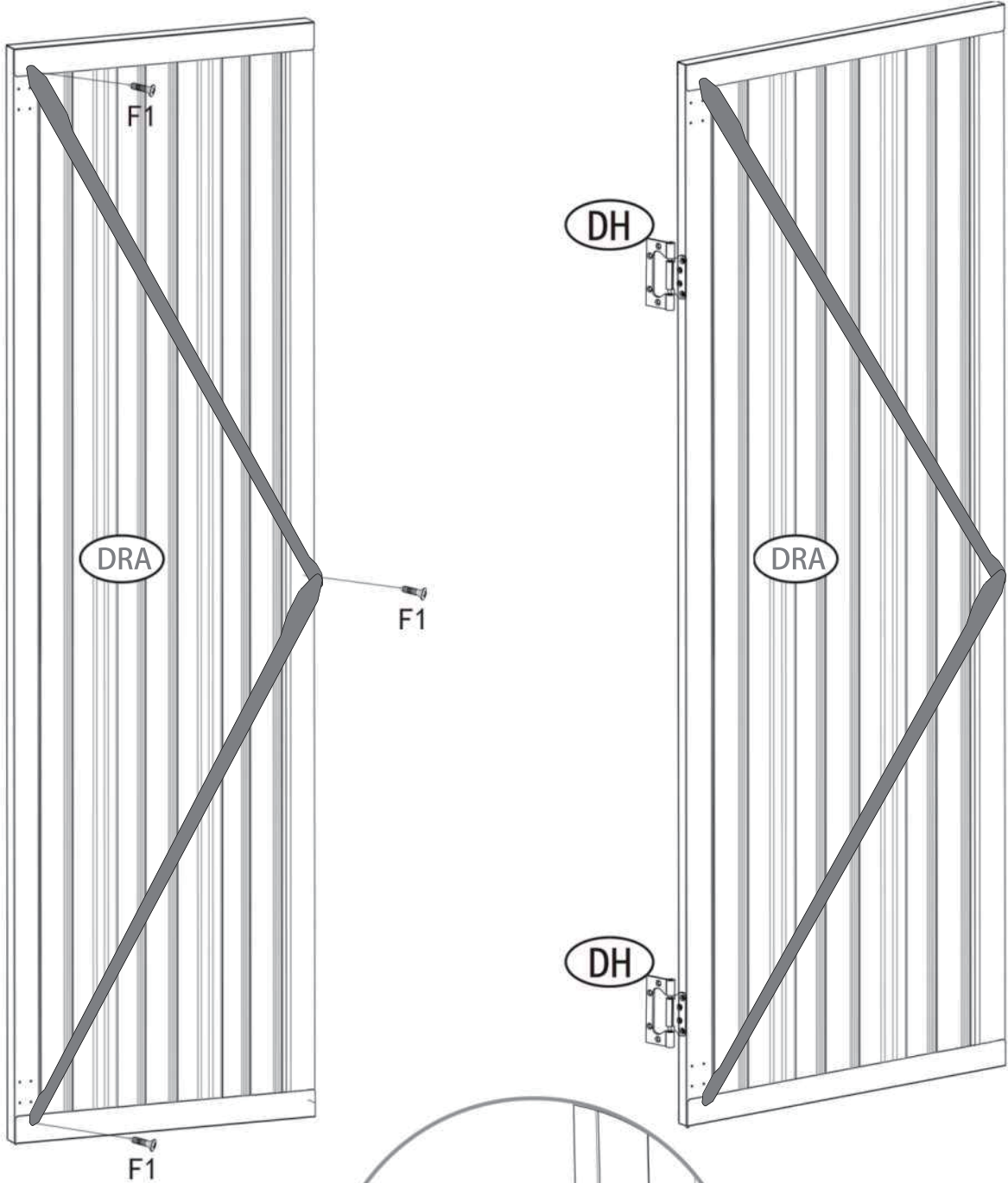
PART	NO.	Qty.	✓ List.
	DS1	1	
	F4	3	
	F1	10	

Step24-2: Right Door Assembly


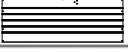



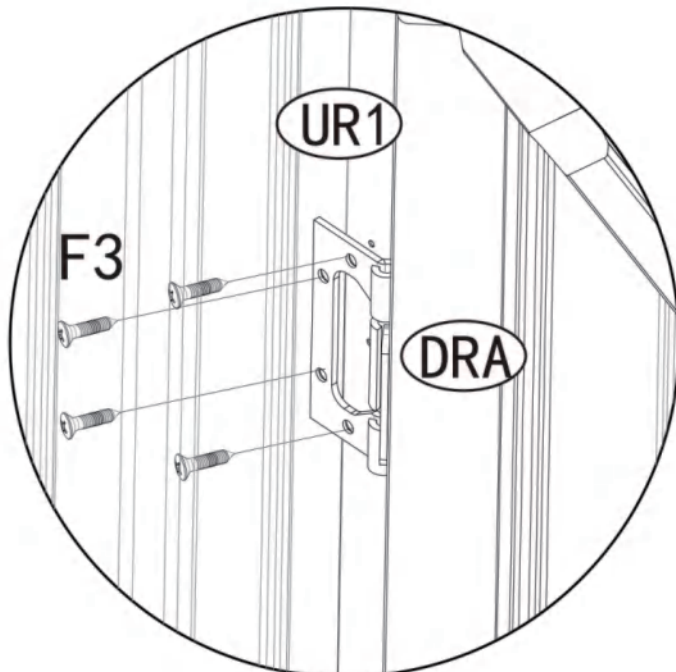
Step24-3:Right Door Assembly

PART	NO.	Qty.	✓ List.
	DX2	2	
	DH	2	
	F1	3	
	F3	8	




X2

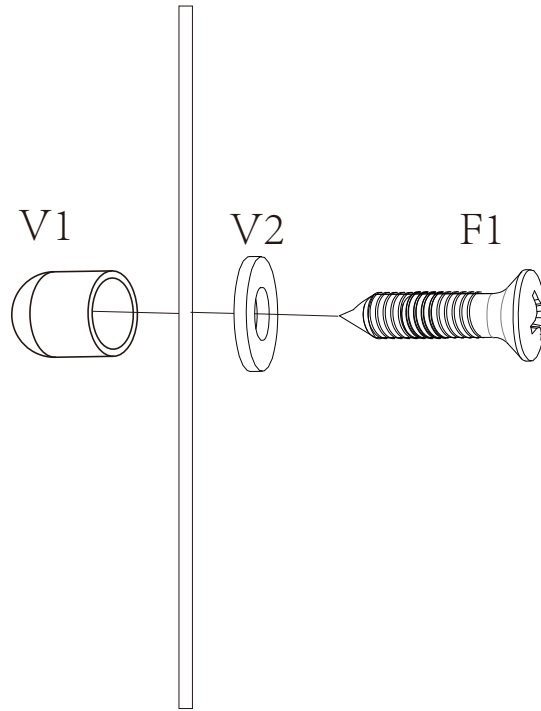
PART	NO.	Qty.	✓ List.
	DLA	1	
	DRA	1	
	F3	16	



**X4**

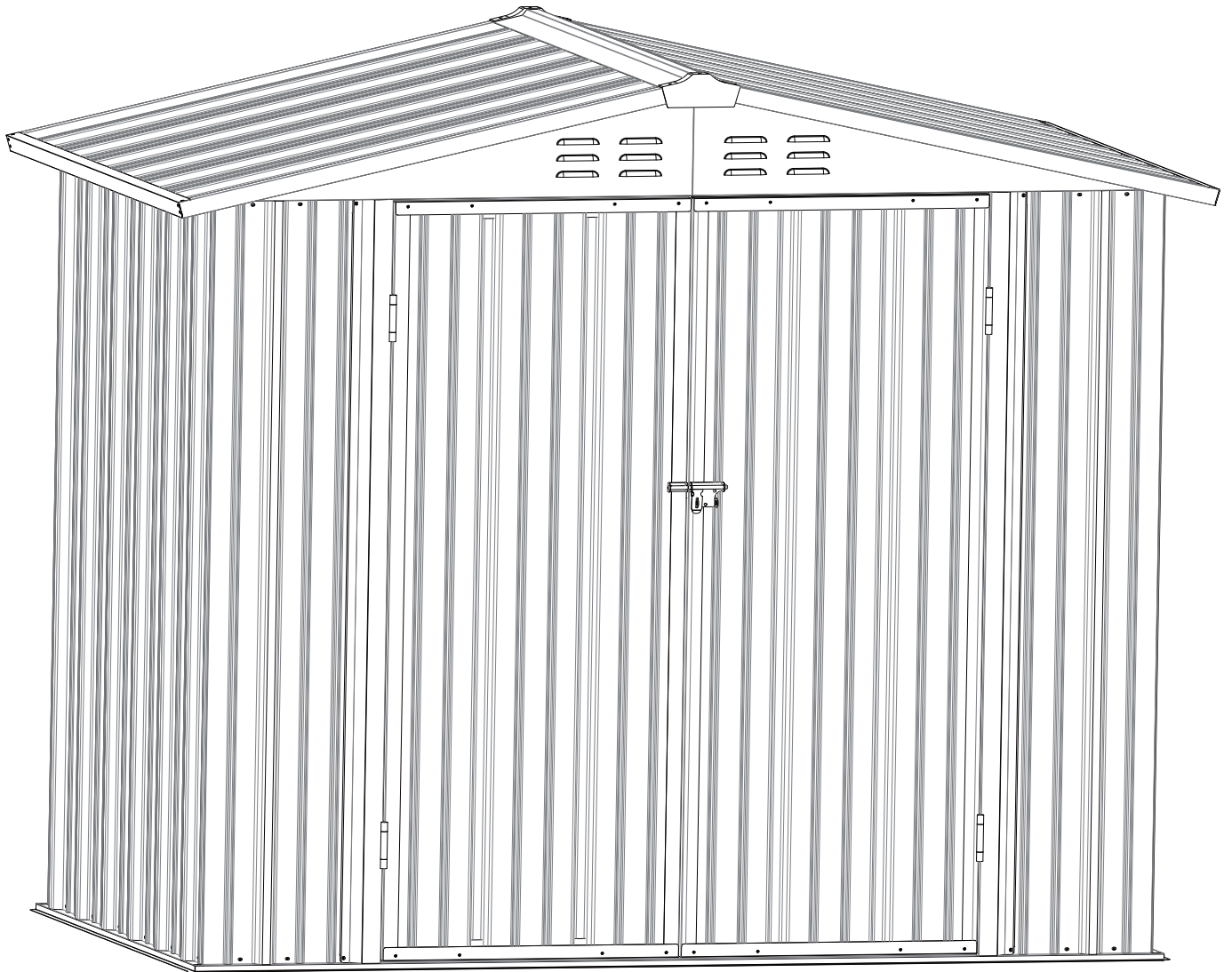


PART	NO.	Qty.	✓ List.
	V1	64	



Screws may cause hurt with sharp heads.

Make sure to COVER all of them with plastic end caps to prevent potential injury.



**VEIKOUS**

For better shopping experience

Please visit our website



**WWW.VEIKOUS.COM**

