

Metal Storage Cabinet Instruction Manual

Your new Metal Storage Cabinet has arrived and it will make your life so much easier. That's why we put so much effort into designing it to perfectly fit your needs.

But first things first, we need to install it!

When we say 'we', we mean we're going to guide you, step by step.

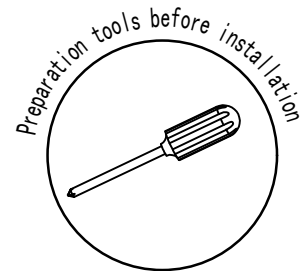
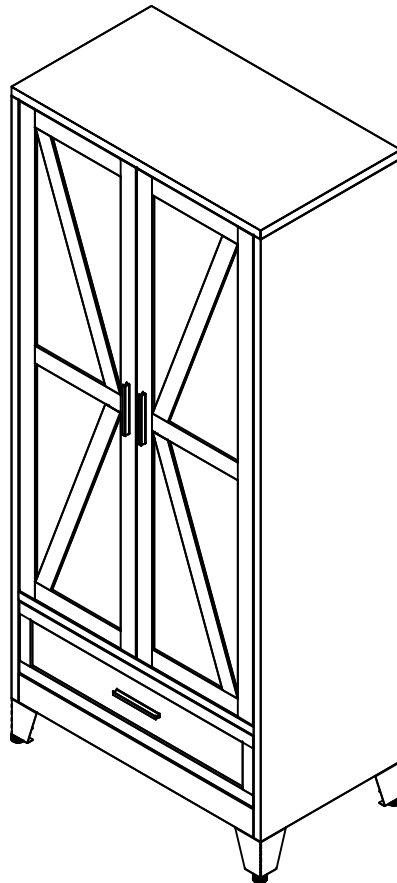
We created this instructions manual so that you won't feel overwhelmed and We also know that sometimes things just don't seem to fit, so don't hesitate to contact with our Customer Associate if you have questions or need help!

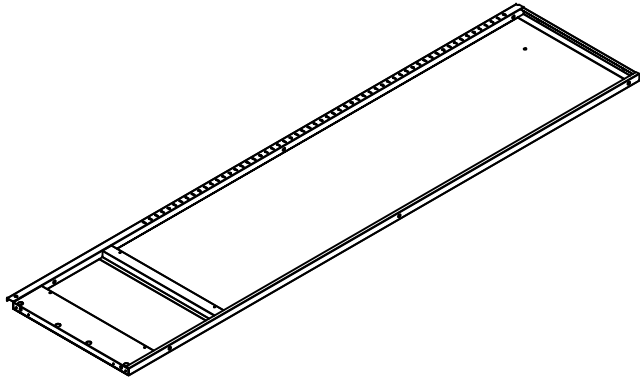
Missing A PART? DON' T WORRY, WE GOT YOUR BACK!

Compare the sketch on the next page with your package. Are all the pieces there? However, sometimes error happen, so if anything is missing or damage, just send us an email and we will make sure to fix it!

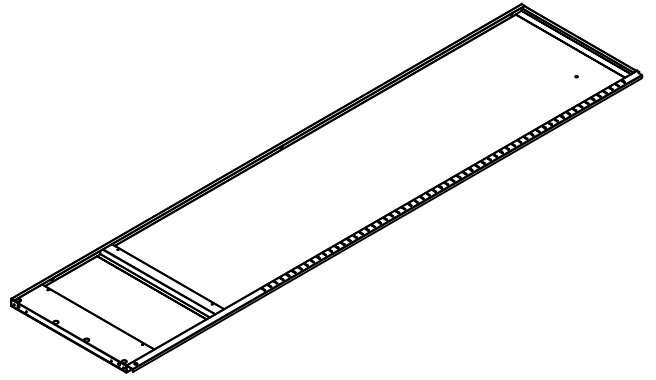
If you find scratches on the sides of the product after you open the package.

DON' T WORRY, this is the protection of express packages

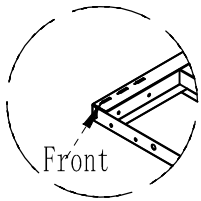




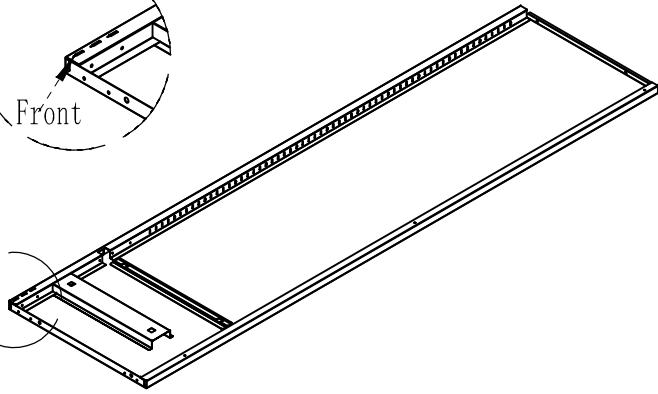
A*1



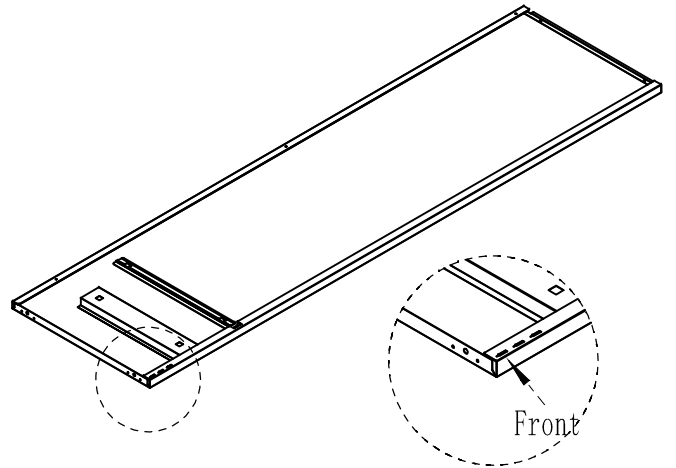
B*1



Front

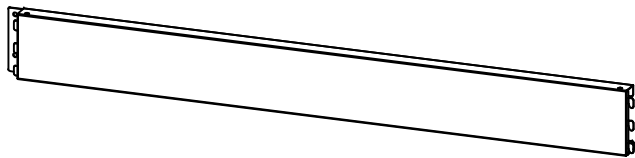


C*1

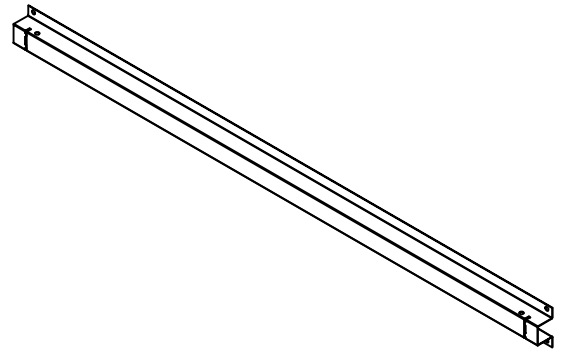


Front

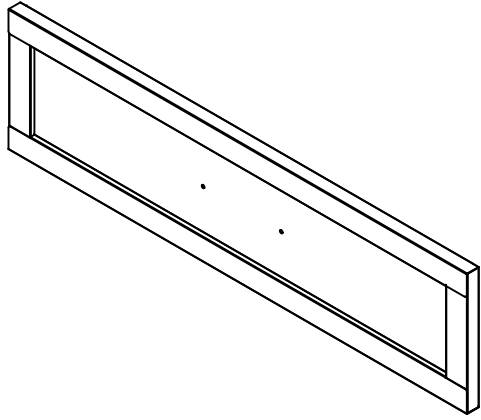
D*1



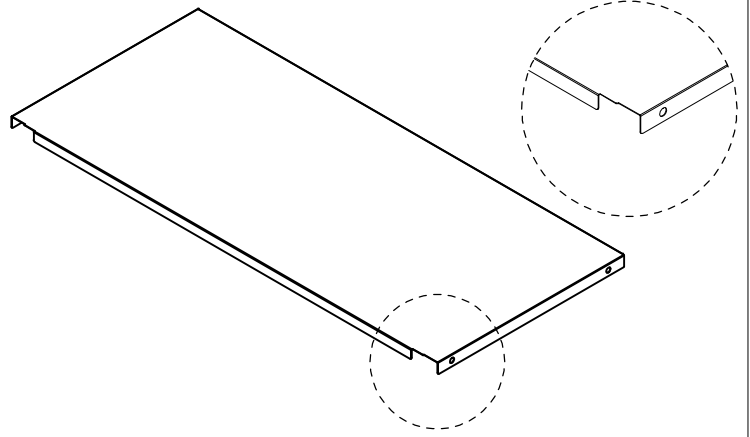
E*1



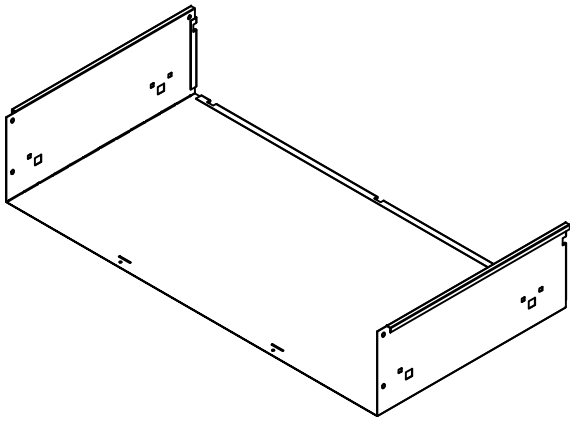
M*1



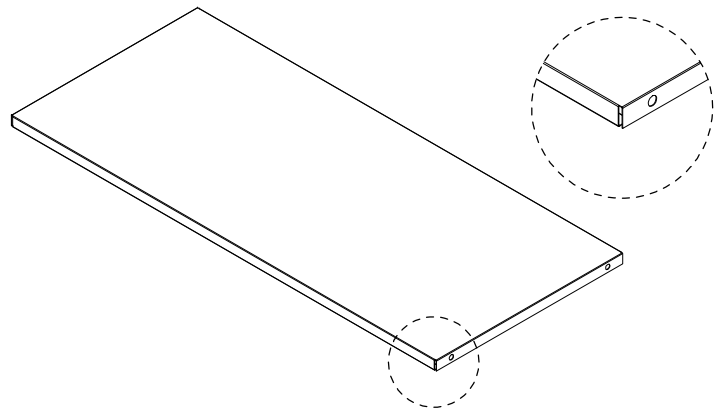
X*1



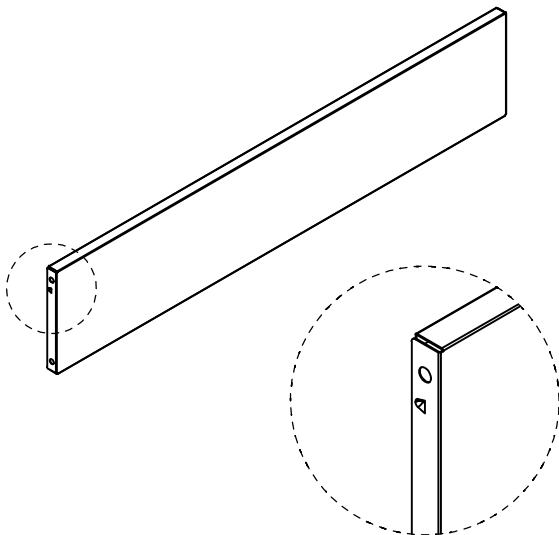
F*1



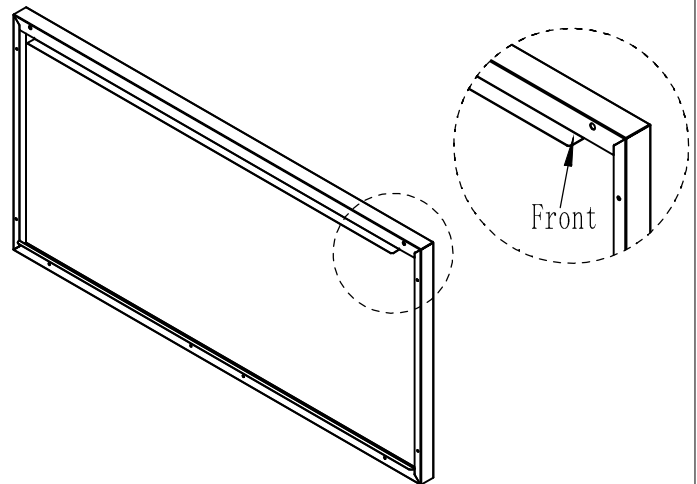
Y*1



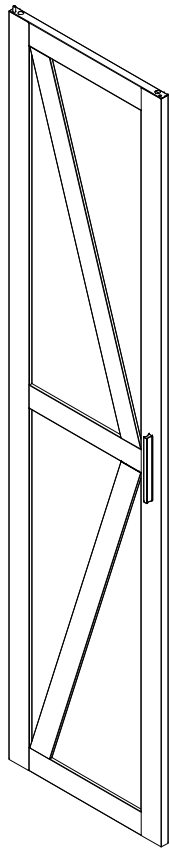
I*4



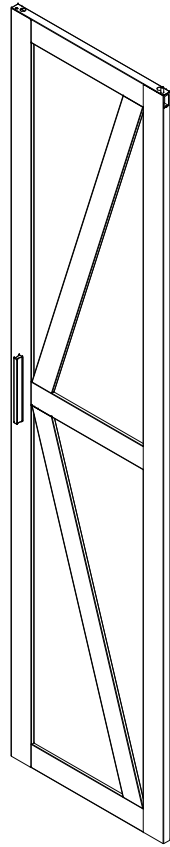
Z*1



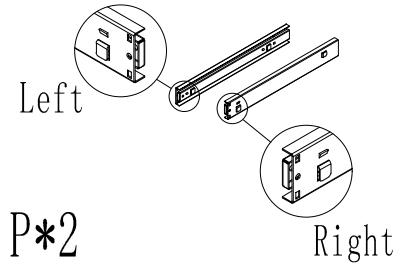
H*1



K*1

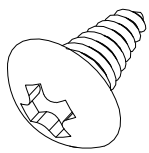
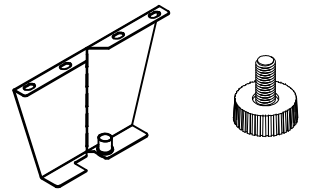


J*1

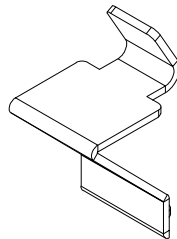


P*2

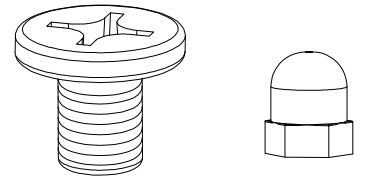
G*4



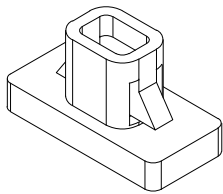
N*38



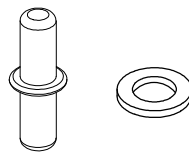
O*16



L*3



Q*4



S*2



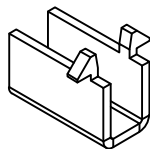
RR*40



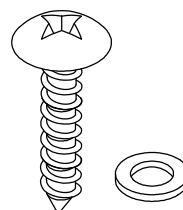
U*4



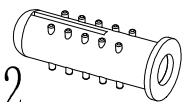
UU*2



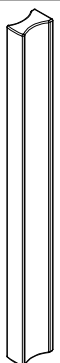
V*16

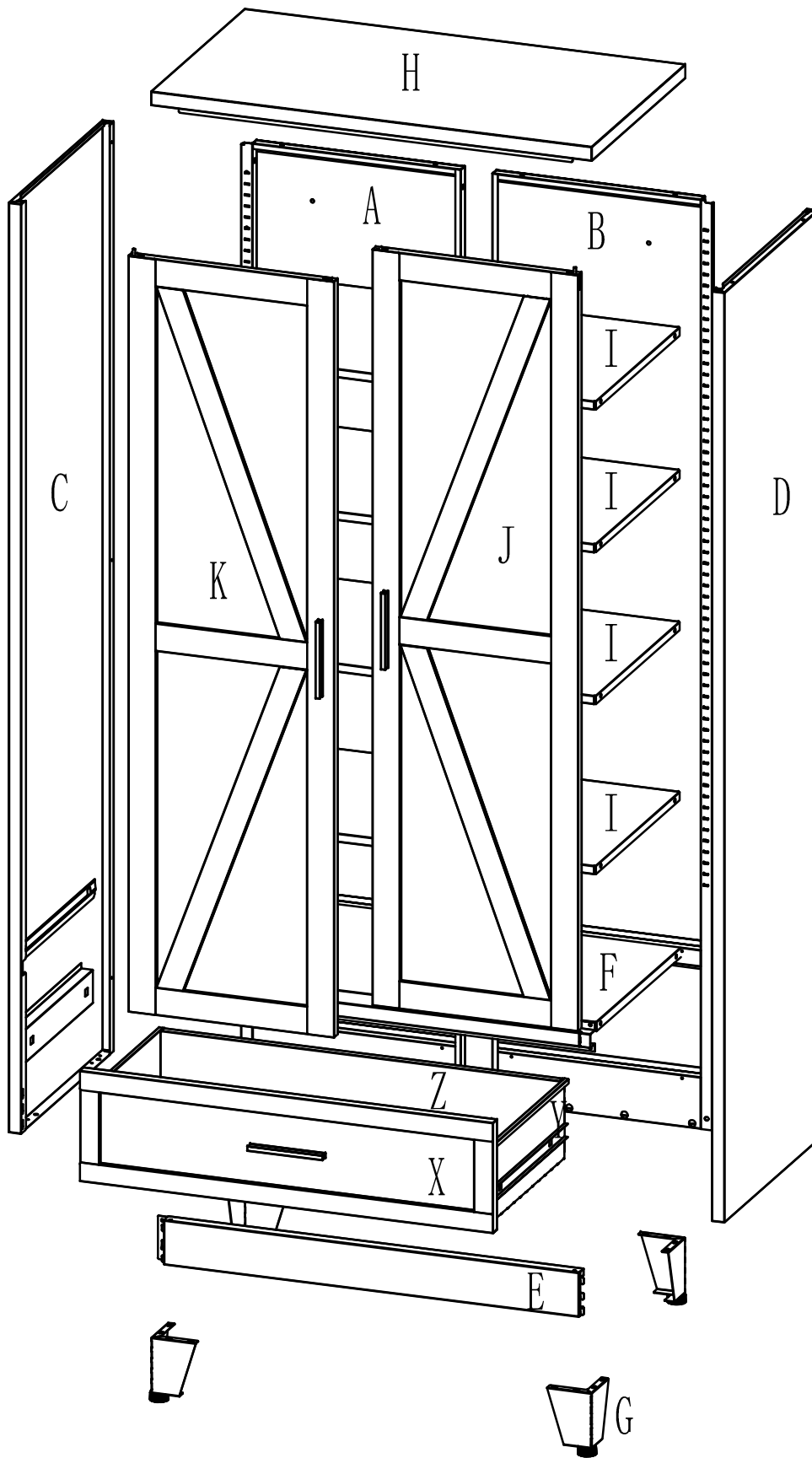


W*2



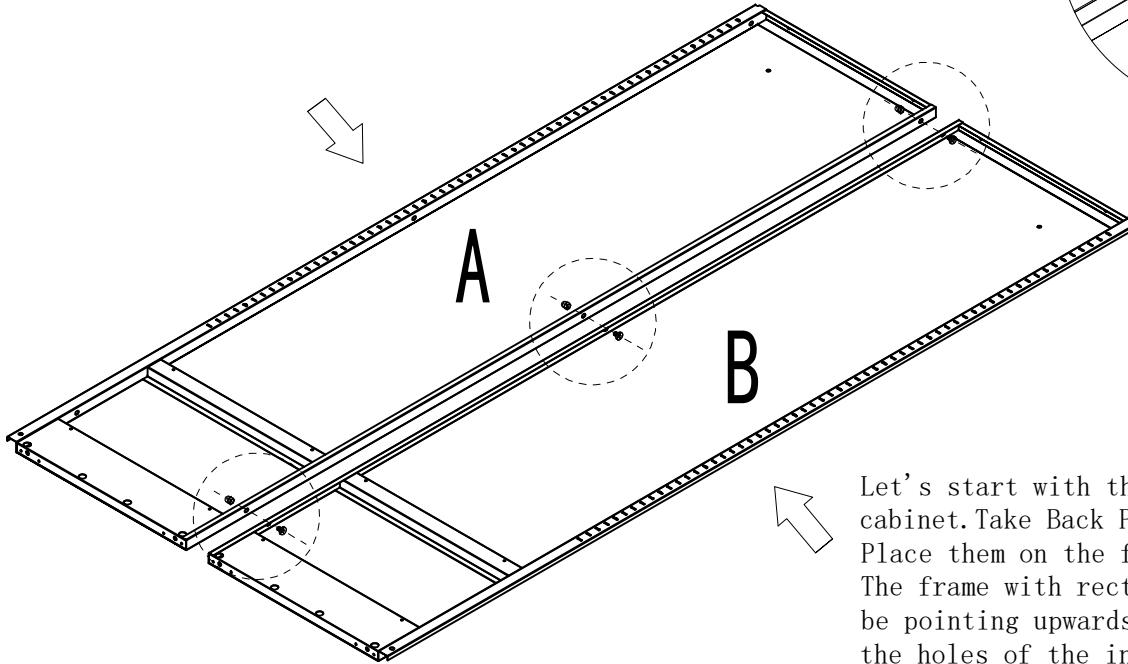
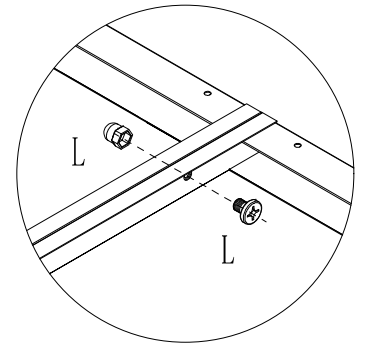
T*3





1

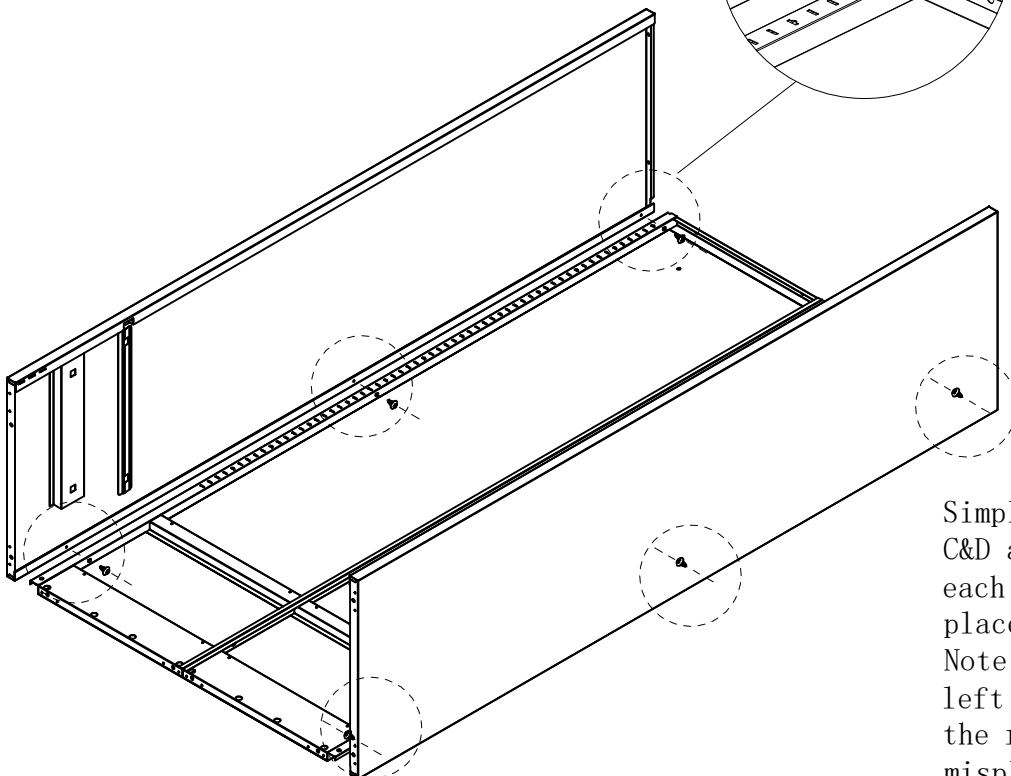
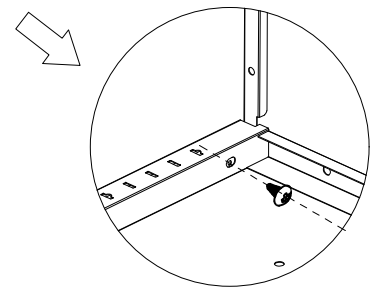
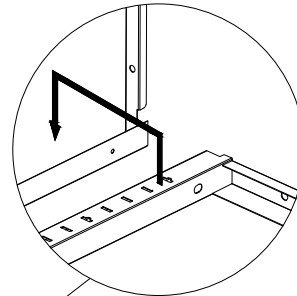
L*3



Let's start with the back of the cabinet. Take Back Panel pieces A & B Place them on the floor
The frame with rectangular holes must be pointing upwards. Overlap & align the holes of the interior frames, Fasten in place using L*3 screws (like shown in the picture)

2


N*6

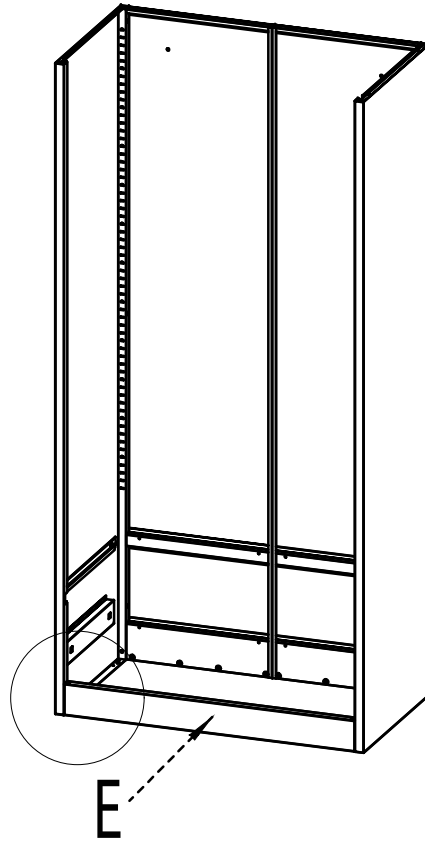
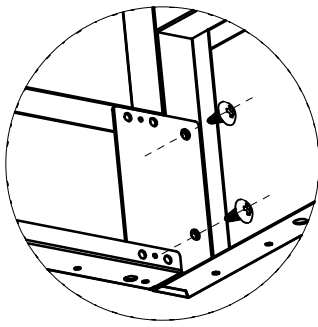
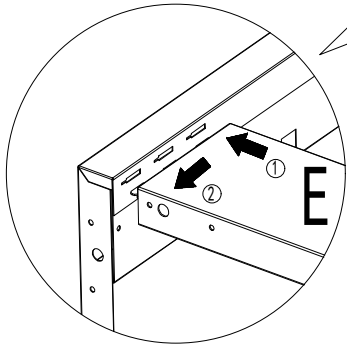


Simply take the side plate C&D and put N*3 screws on each side to hold them in place.
Note that Part C is on the left side and Part D is on the right side. If they are misplaced, it will affect the assembly.

3


Snap the three buckles on either side of Part E into the three holes in both side panels and then push it down so that it snaps into the bottom of the cabinet.

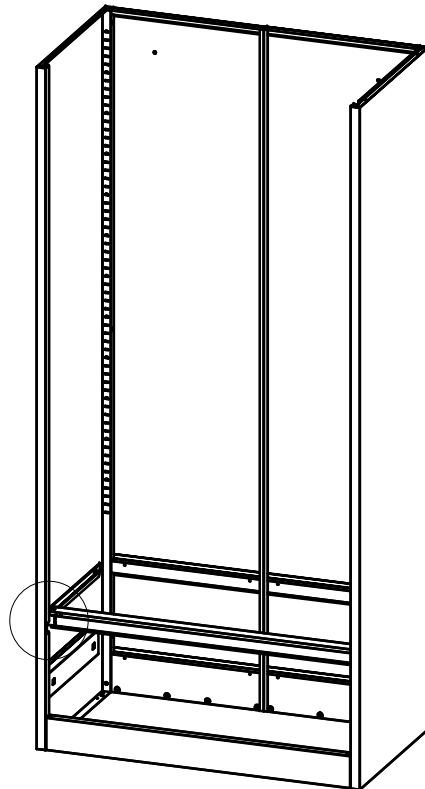
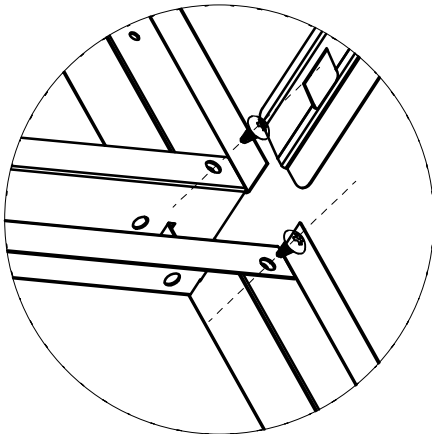
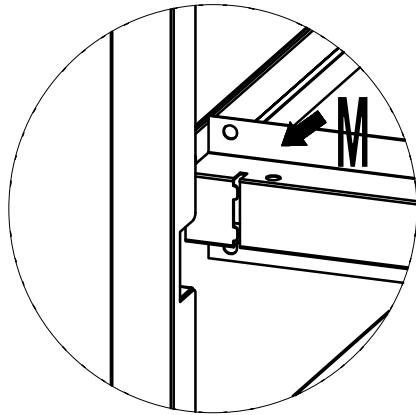
N*4 



Snap the three buckles on either side of Part E into the three holes in both side panels and then push it down, so that it snaps into the bottom of the cabinet. Install the screws from inside of the bottom by using N*4.

4

N*4 

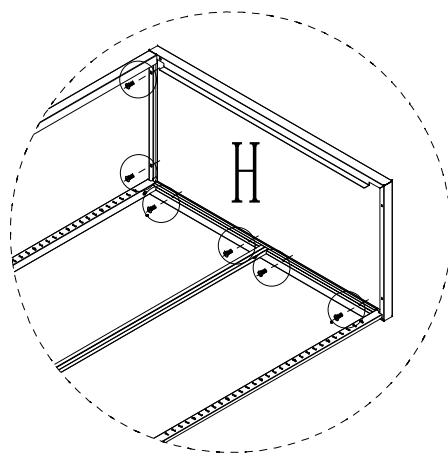
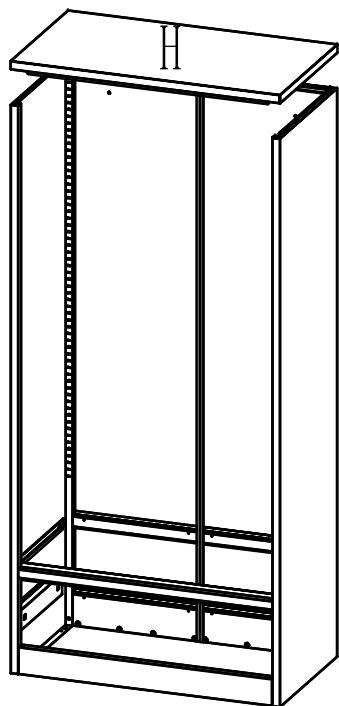


Install the parts M by using N*4 screws, Make sure the screws are installed from the inside (like shown in the picture).

5

RR*8 

The top plate falls directly on the side plate.

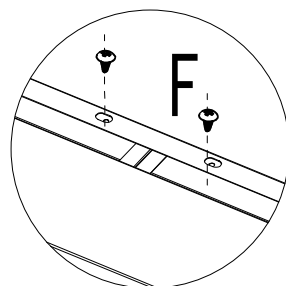
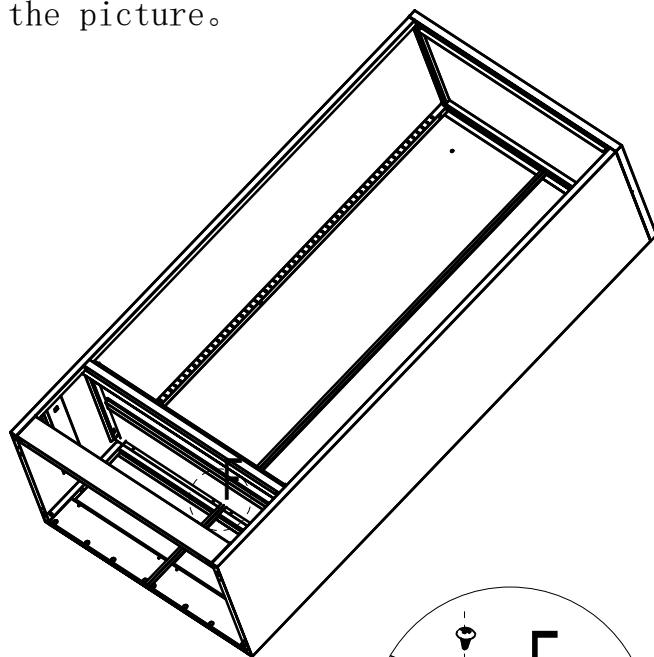
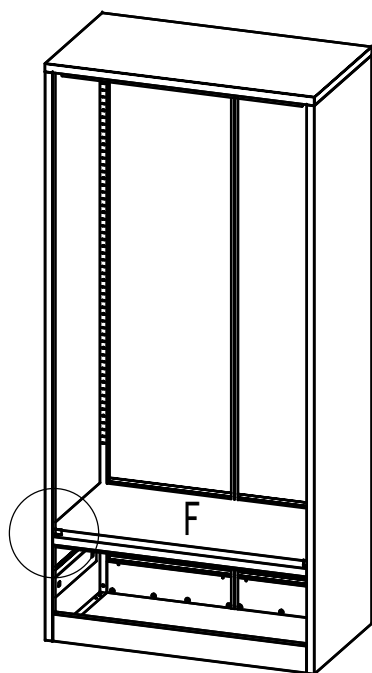
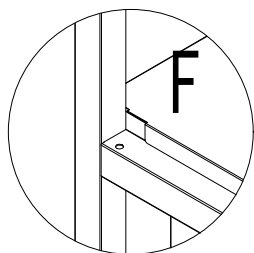
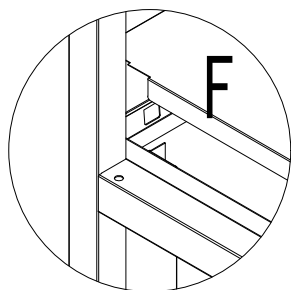


Take Top Frame H*1, Fasten in place using RR*8 screws through the holes in each corner. Insert it through cabinet, Push it until well fixed.

6

N*2 

When placing Part F, place the notched side facing forward. The N*2 screws are installed at the location of the circle in the picture.

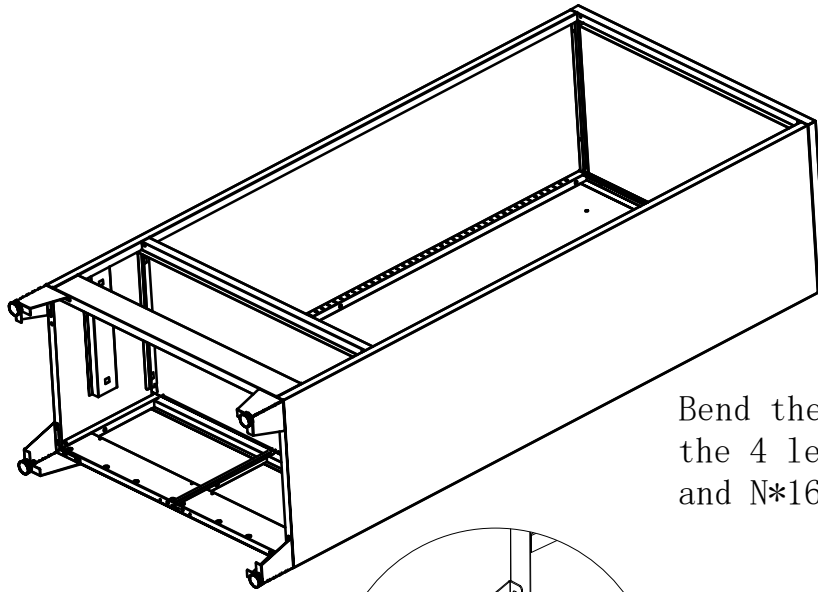
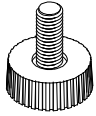


7

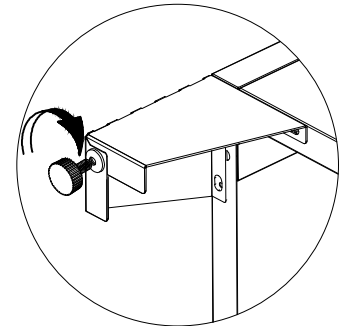
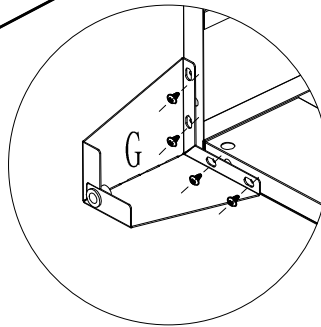
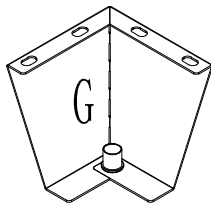
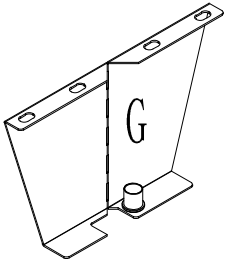
N*16



G*4



Bend the Part G, install the 4 legs by using G*4 and N*16



If you think it looks better without the standing corner, you can choose to skip this step (7)

8

O*16

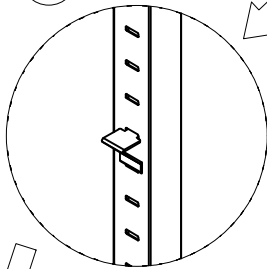


V*16

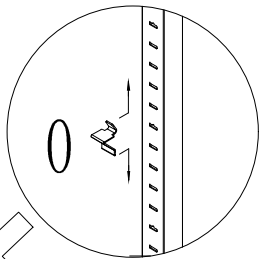


I*4

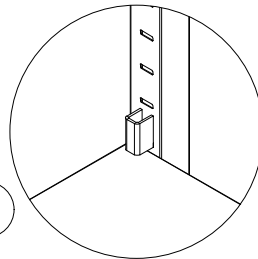
2



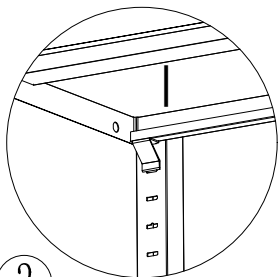
1



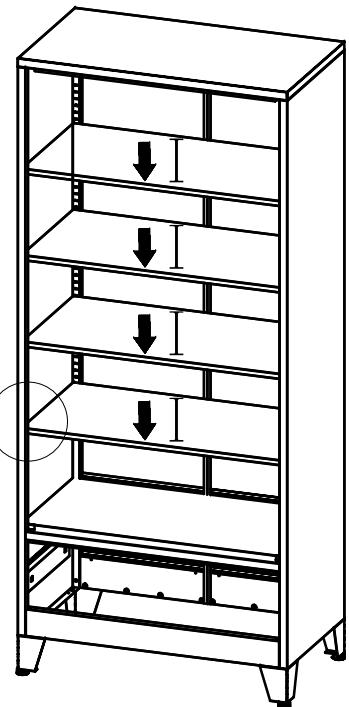
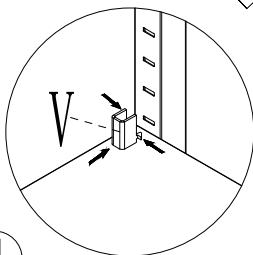
5



3




4

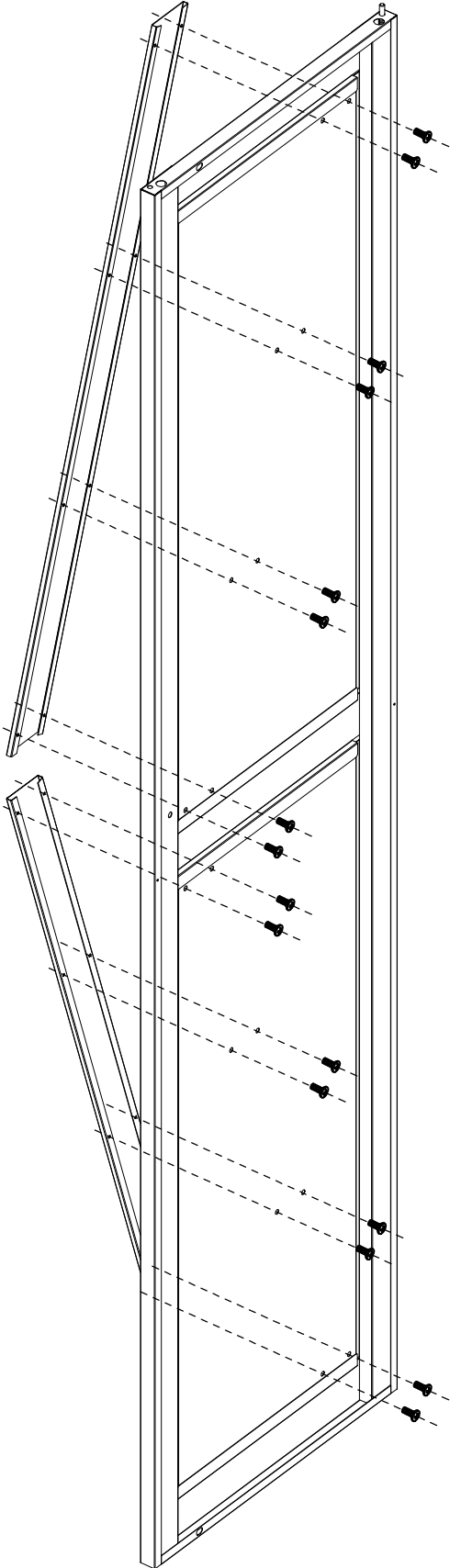


Insert O*16 holders in the frame's holes, 1 for each corner.
Then simply put the I*4 shelf where you needed.
Install the plastic grid V*16 on the top of the shelf to make sure shelf securely.

9

In this step you just need to tighten the RR*32 screws (like shown in the picture).

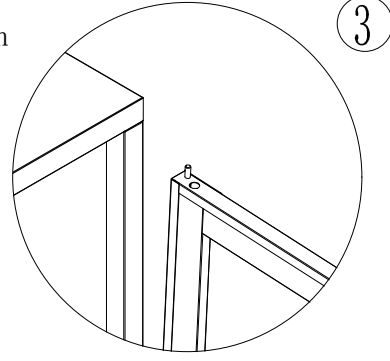
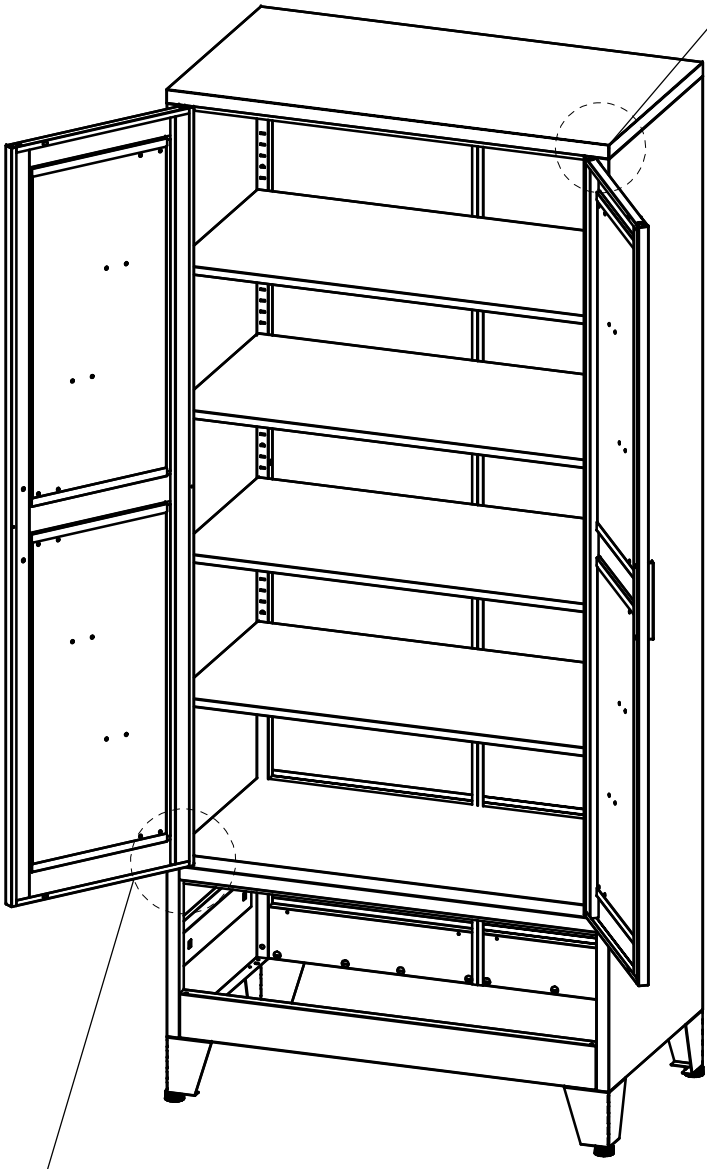
RR*32 



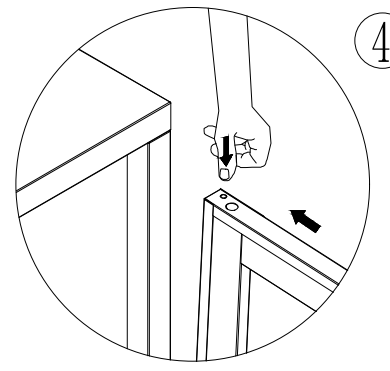
10



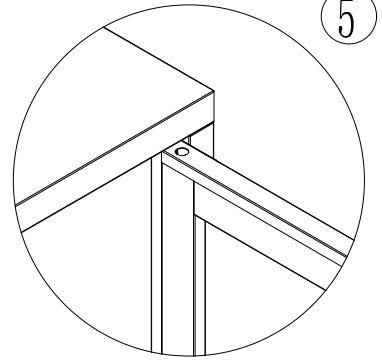
Take S*2 bolt screws & insert a metal ring on it.
 Insert the bolt in the bottom frame's hole (like shown in the picture below).
 Take door K1 & J1.
 Place the door with the bottom hole in the bolt.
 Press the arch at top of the door to fix the door in the upper frame.
 Make sure it is securely fastened up and down .
 Move the door back & forth to test it .



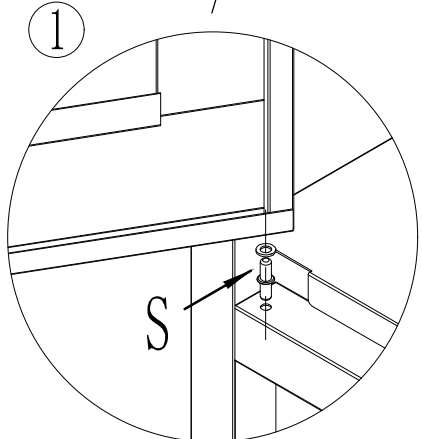
3



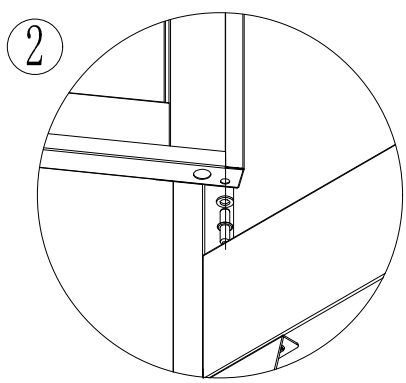
4



5

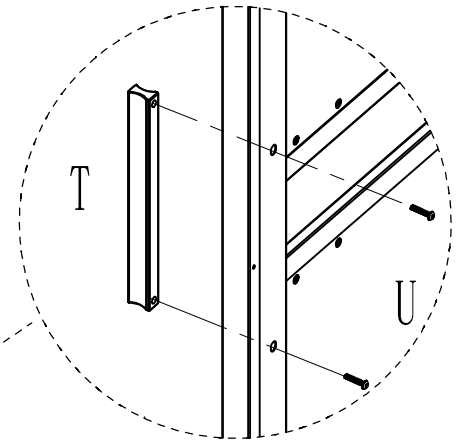
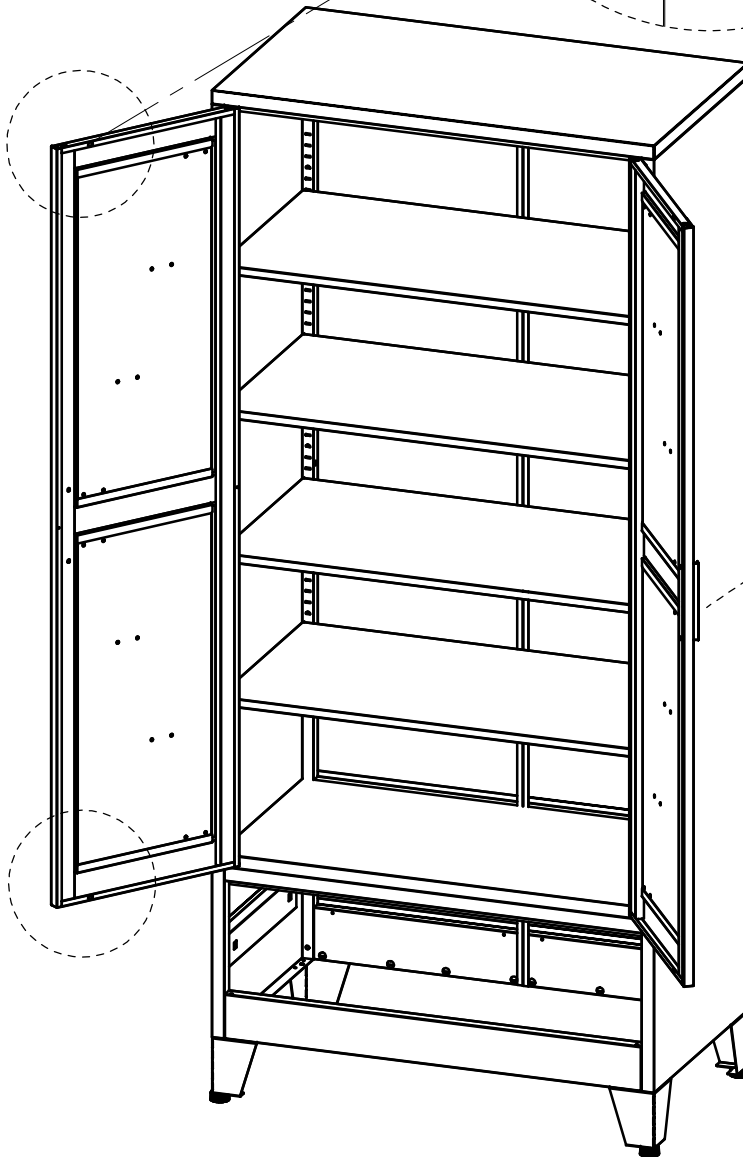
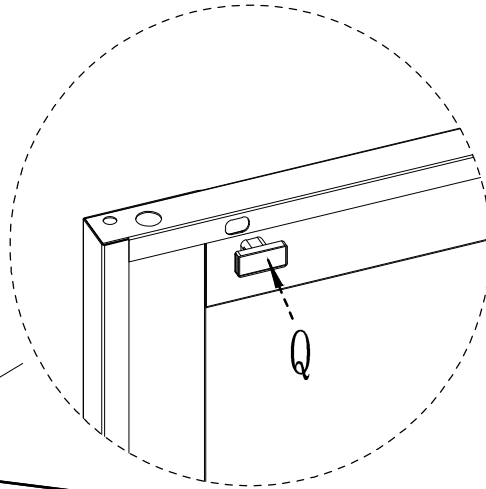
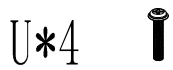
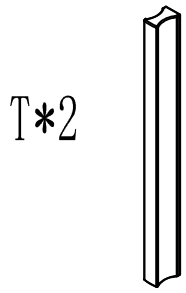
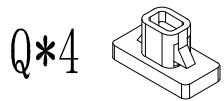


1



2

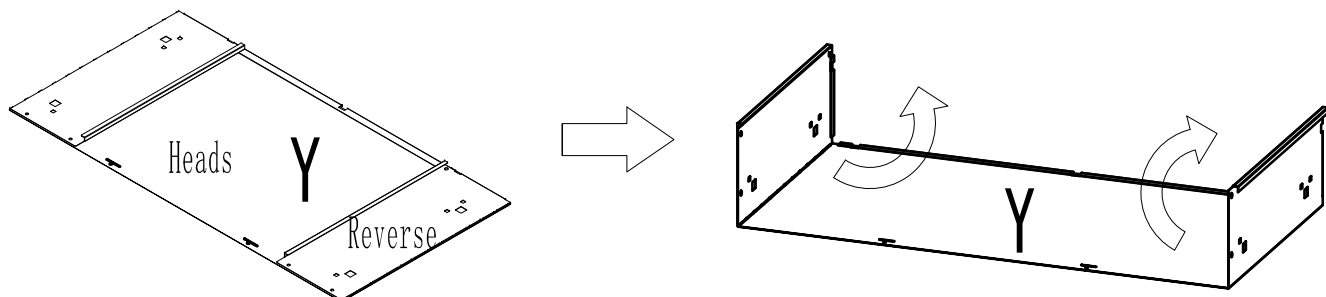
11



Take Q *4 magnetic pieces, install 4*Q at each corner of the door.
Last, Install the door handle T*2 by using U*4.

12

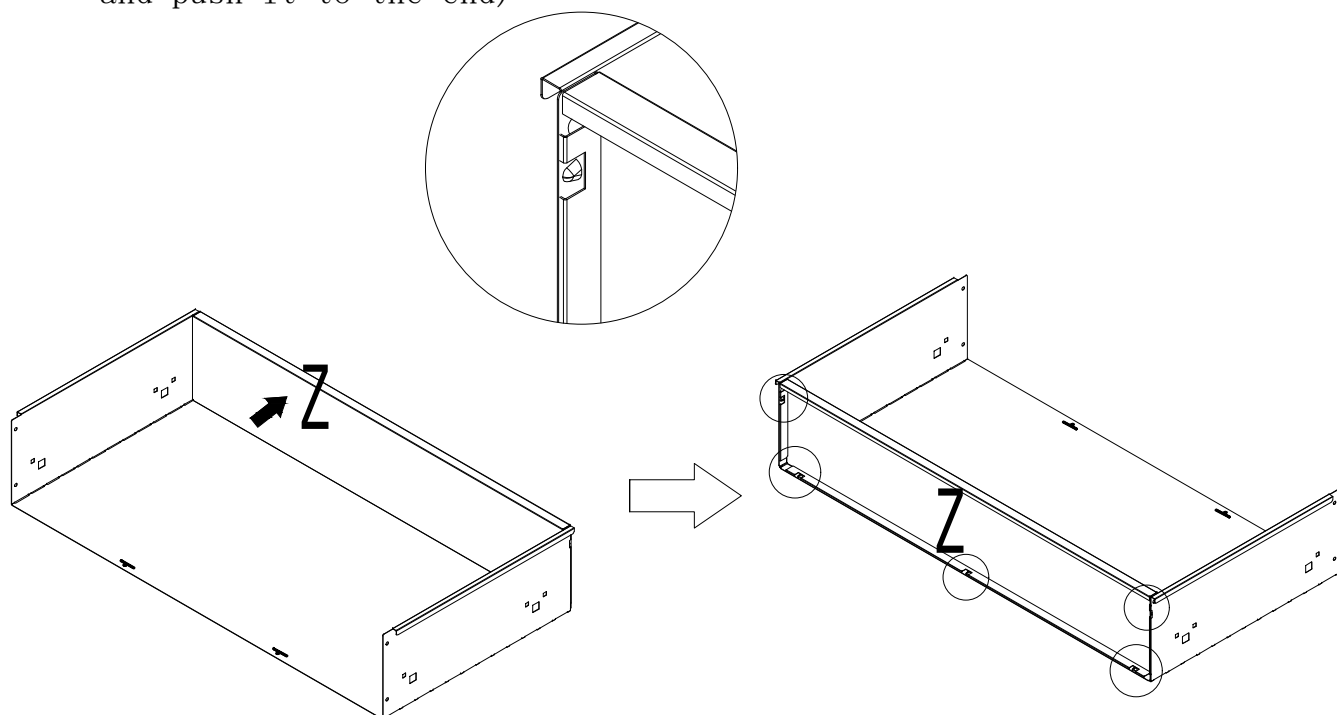
Bend the drawer box Y as the instruction shown.



13

Take parts Z, insert the middle of Y and push the back drawer seal to the end.

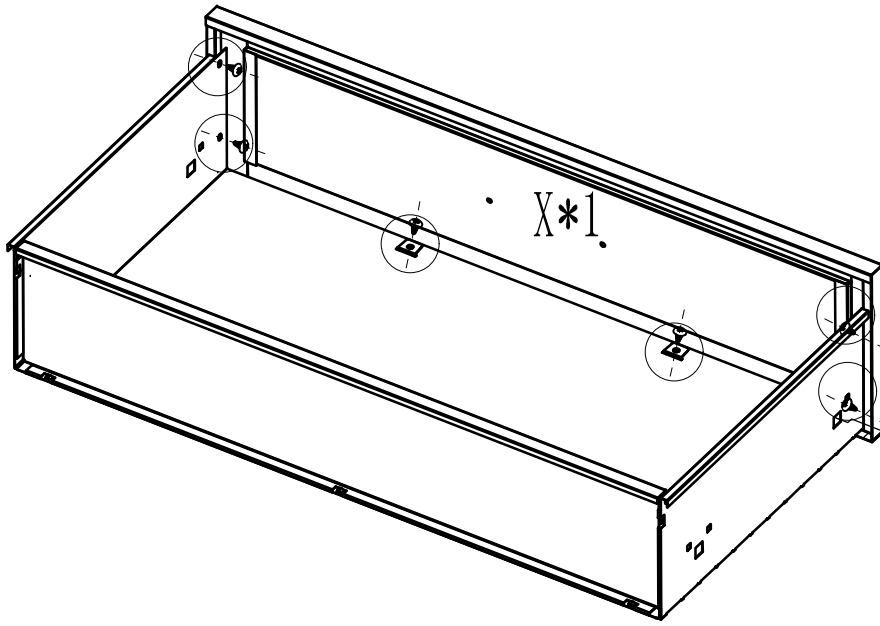
(*make sure when you install the parts Z, the glazed panel face to you and push it to the end)



14

Install the parts X by using 6*N screws.

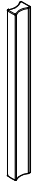
N*6



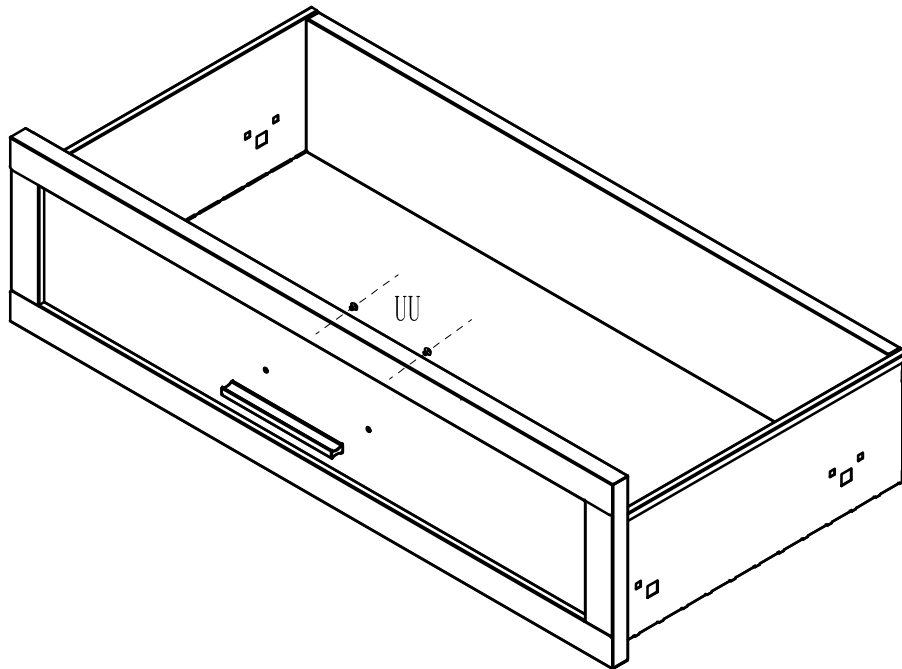
15

Install the drawers handle 1*T by using UU*2 screws.

T*1

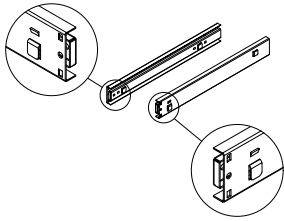


UU*2

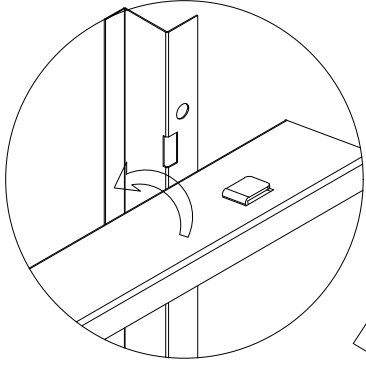


16

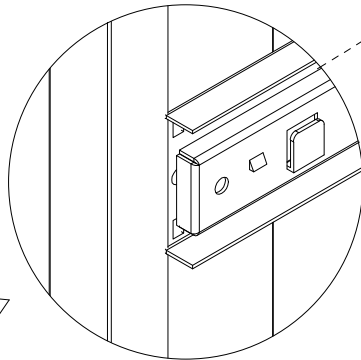
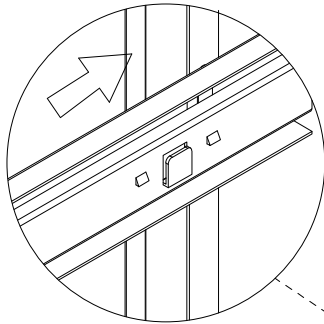
P*2



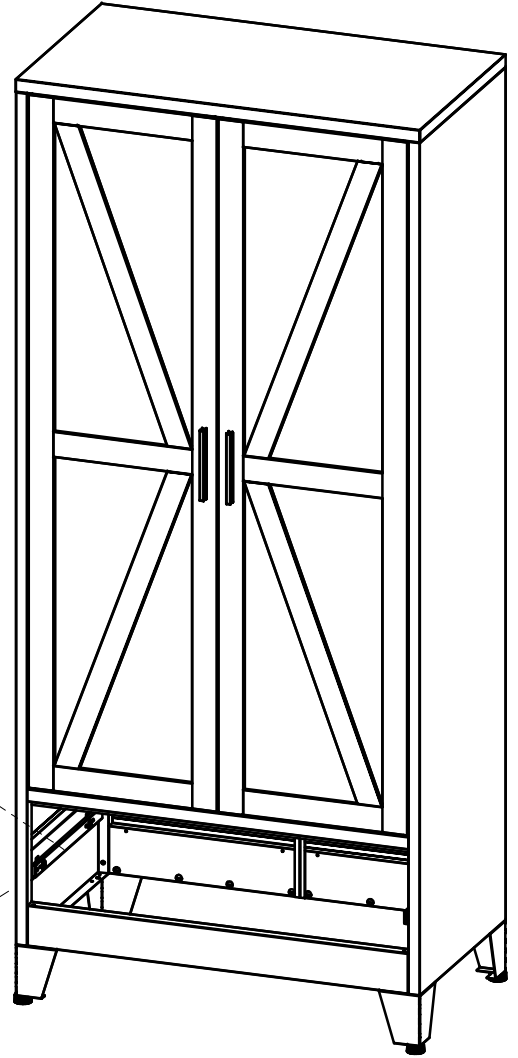
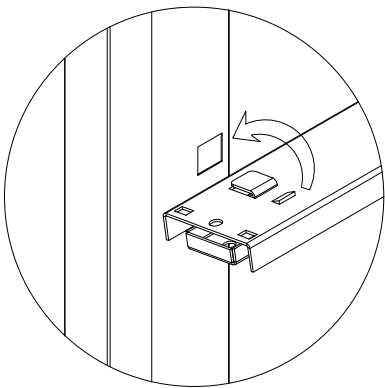
Install drawer slides P*2, Take one sets of rail. Install the rail onto the both side of the panel. (Attention: Don' t misplace the left rail and right rail)

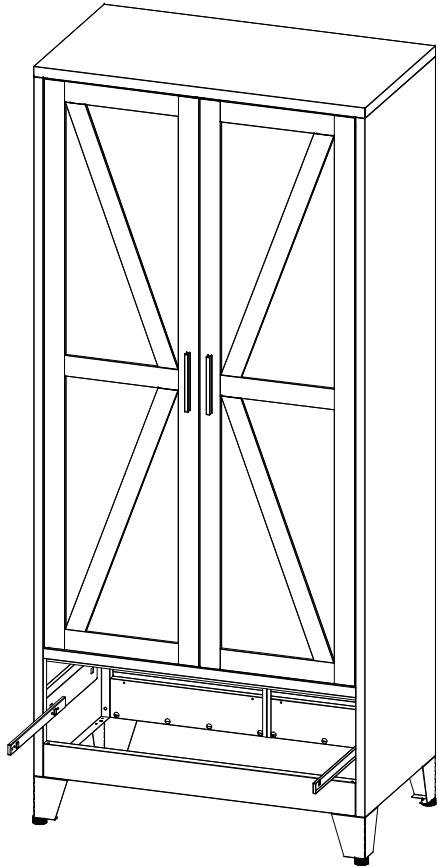


1

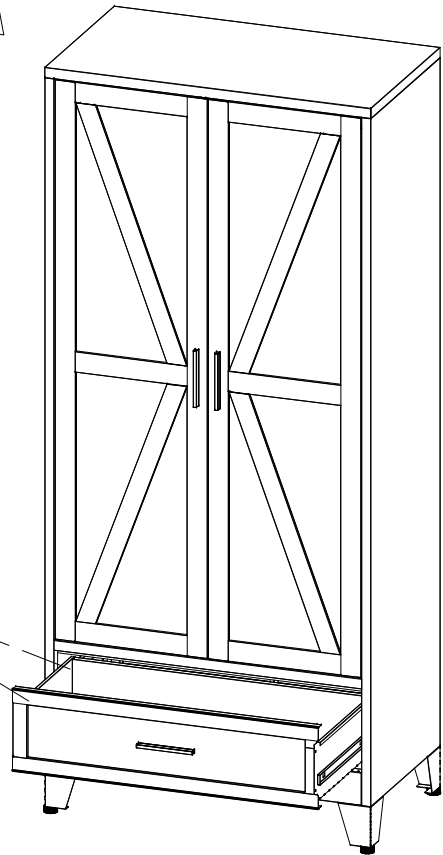
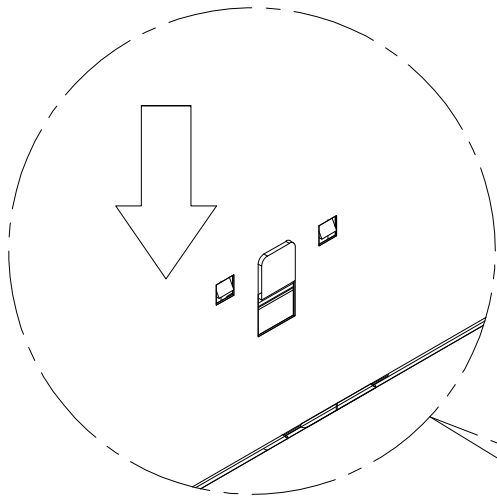
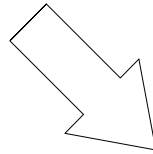


2



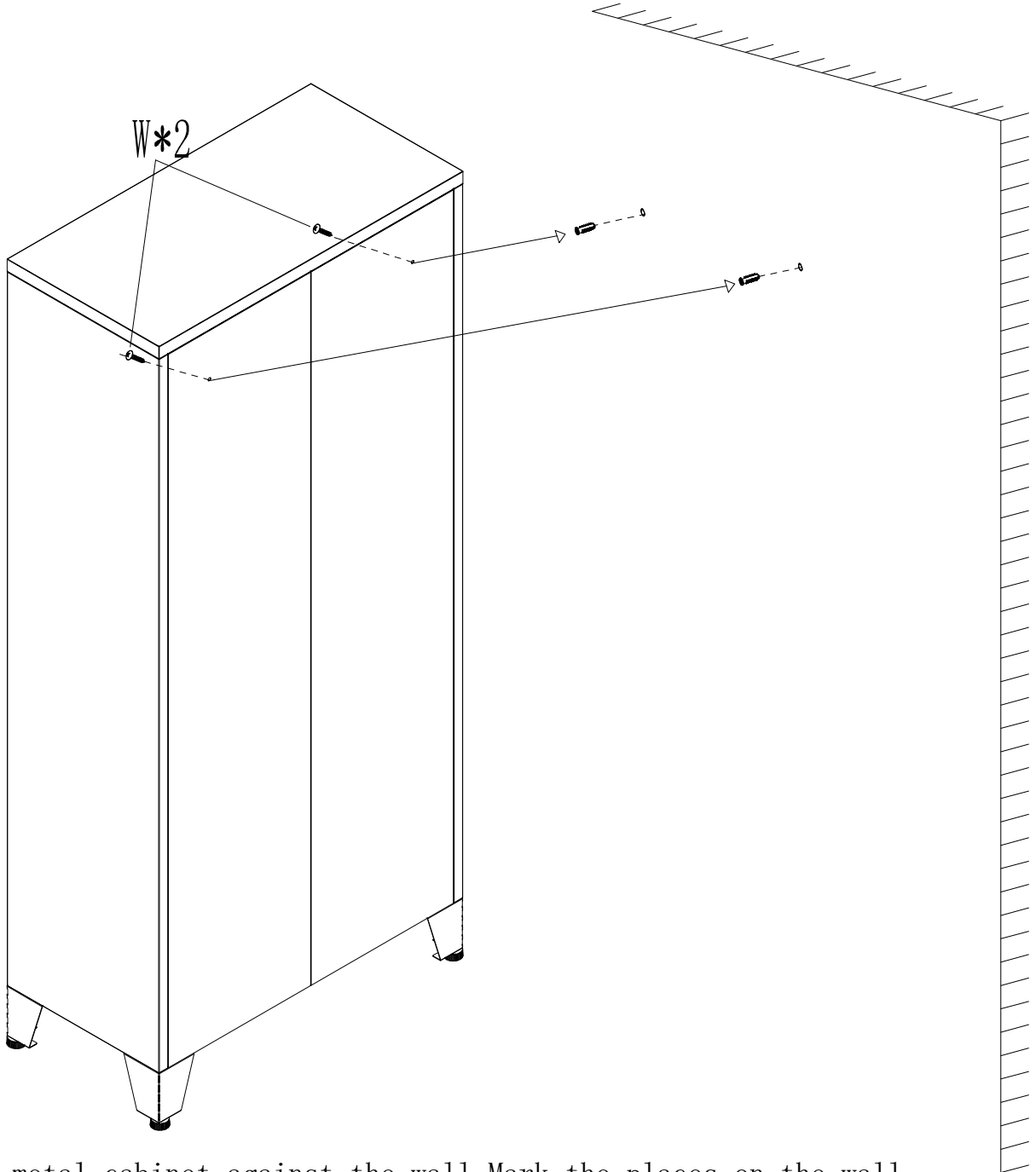
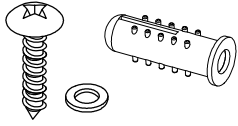


Pull the inner rails out ,Install the drawer on the inner rails.
(show in the picture)



18

W*2



Push the metal cabinet against the wall. Mark the places on the wall there you are going to drill. Take the Percussion Drill. Drill holes in the marked places.

Take wall plugs W*2 insert in the drilled holes using a hammer.

Your metal cabinet is ready to use!

THANK YOU FOR BEING PART OF OUR STORY.

