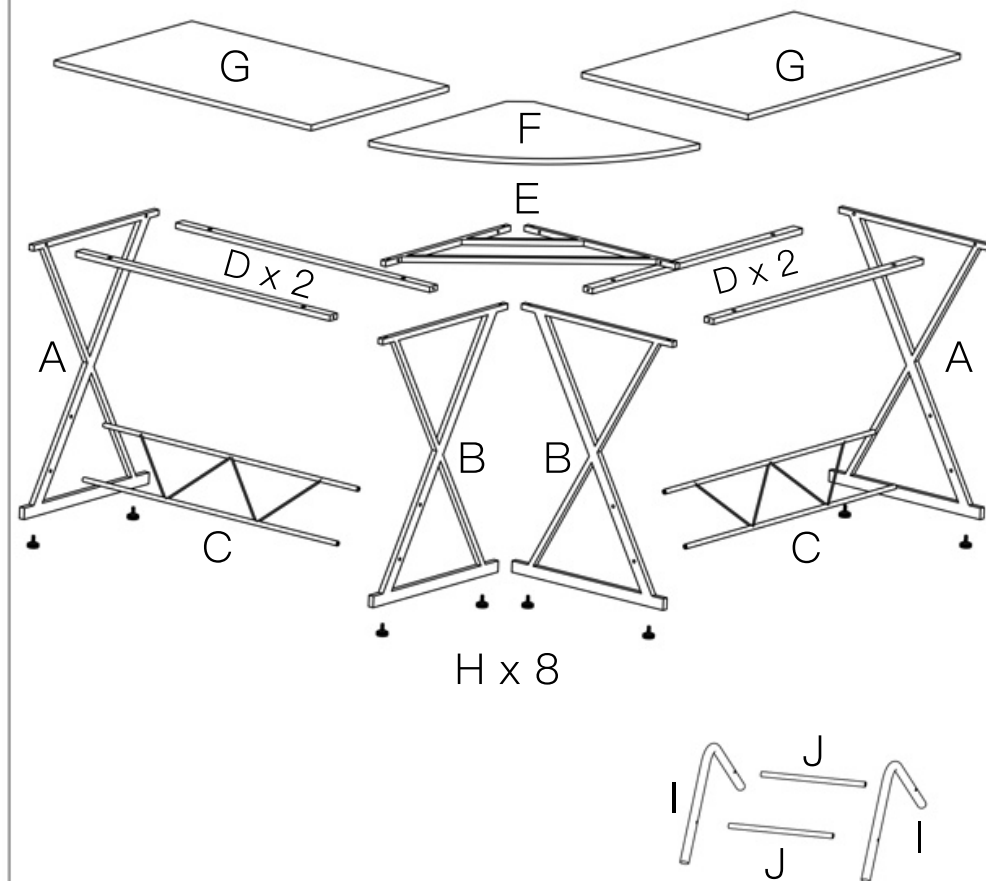
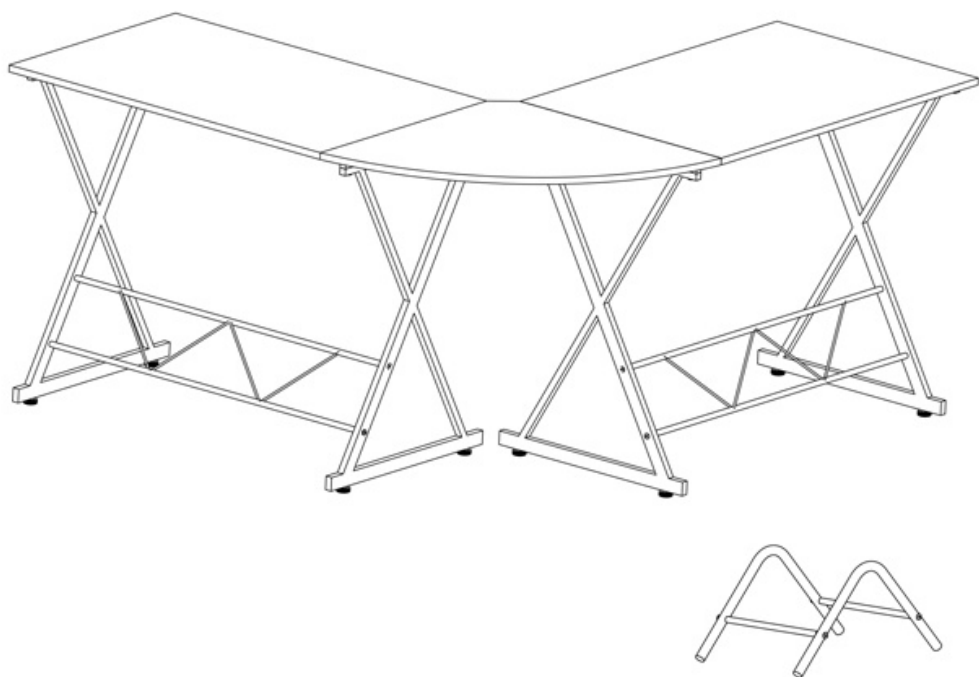


# ASSEMBLY INSTRUCTION



S1 (M6x25) x 8

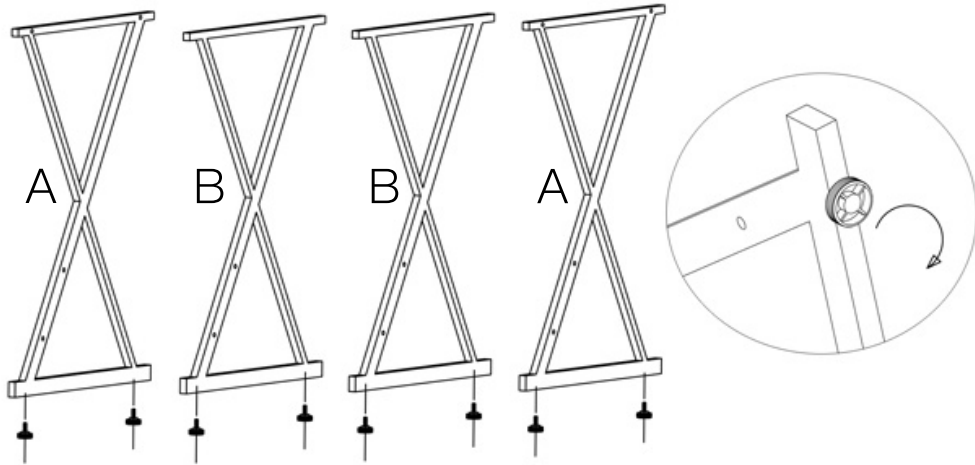


S2 (M6x30) x 20



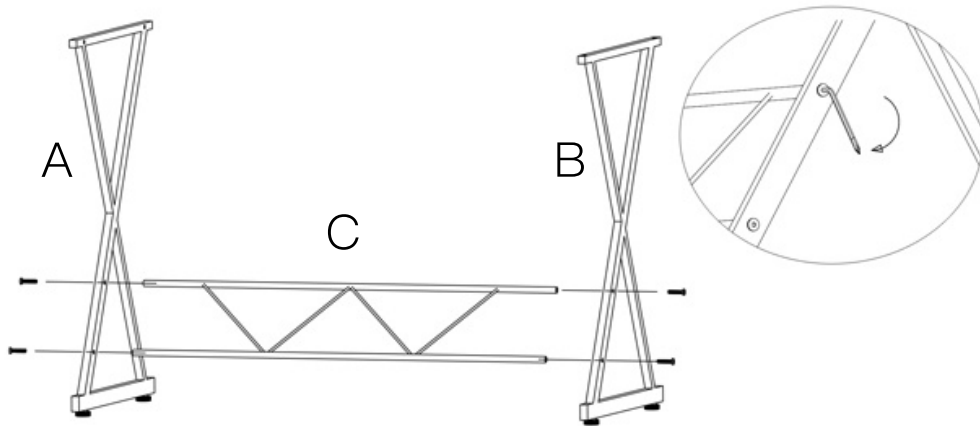
S3 (M6x40) x 4

### Step 1



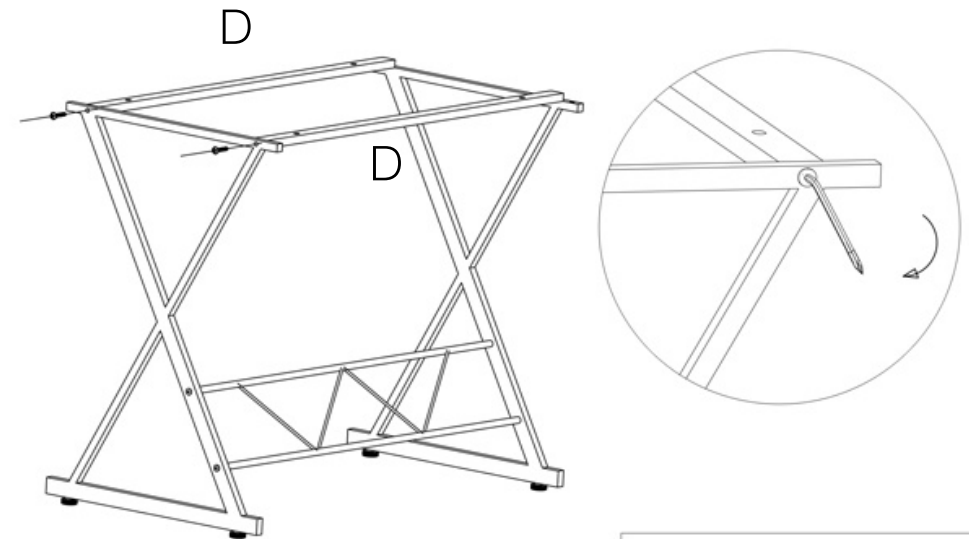
H x 8

### Step 2



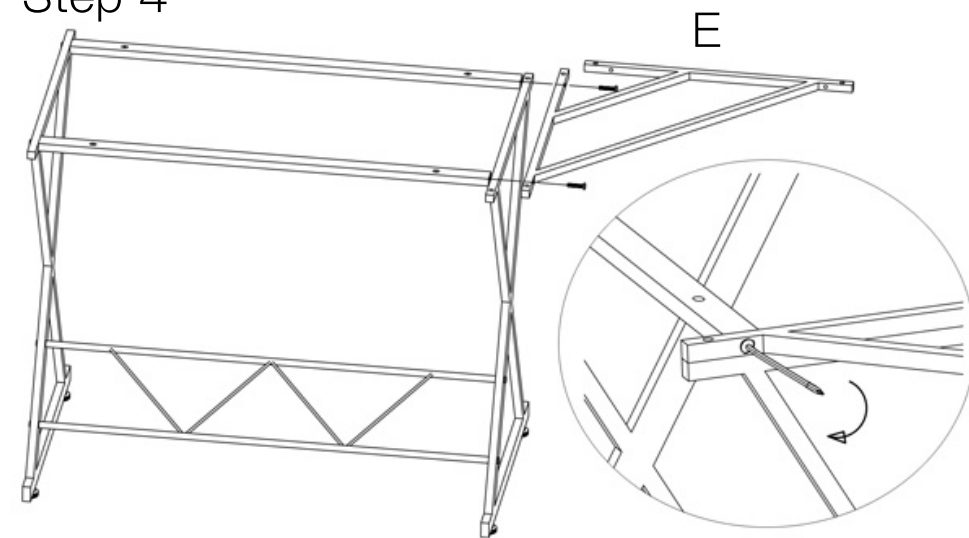
S2 x 4

### Step 3



S2 x 2

### Step 4

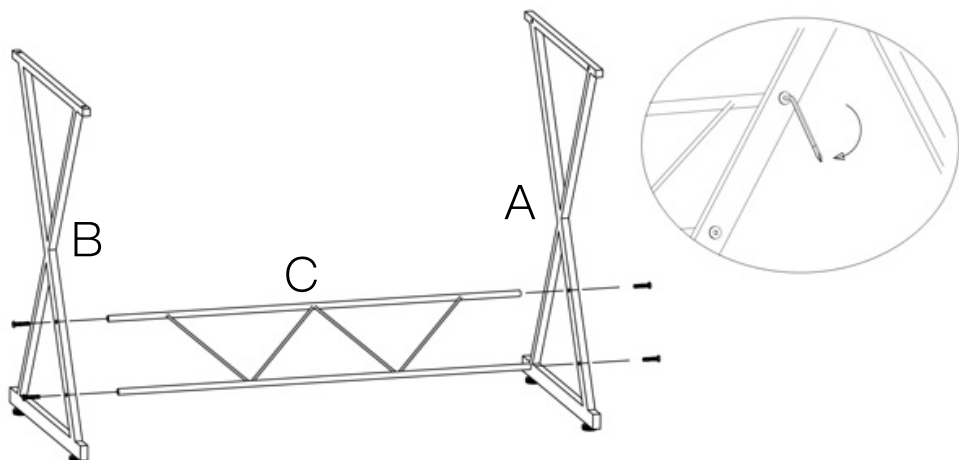


When you finish this step ,  
put these parts in safe place



S2 x 2

### Step 5

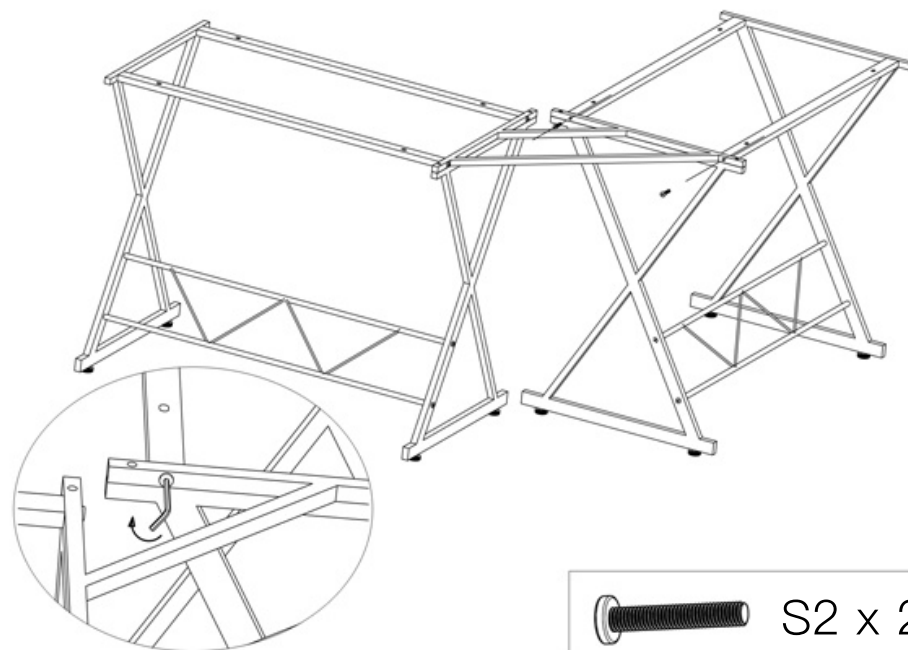


Use another A , B and C



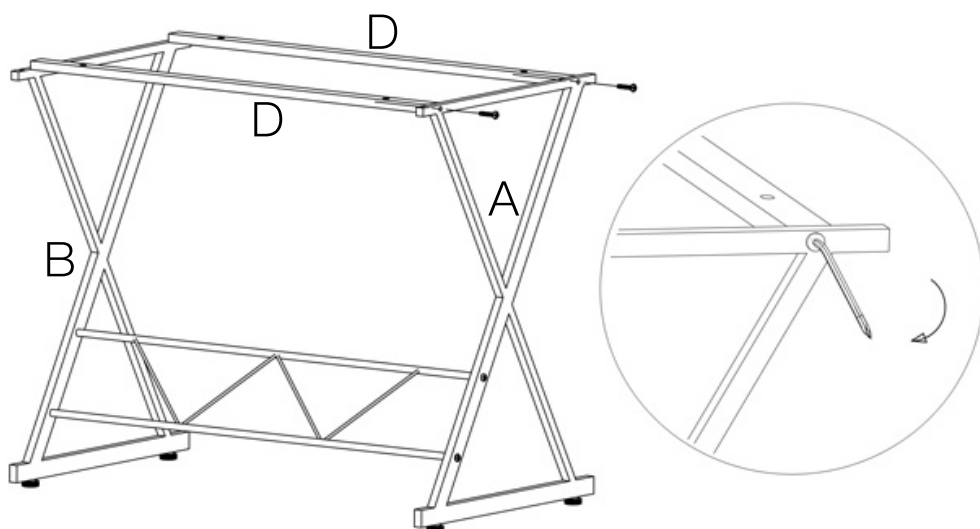
S2 x 4

### Step 7



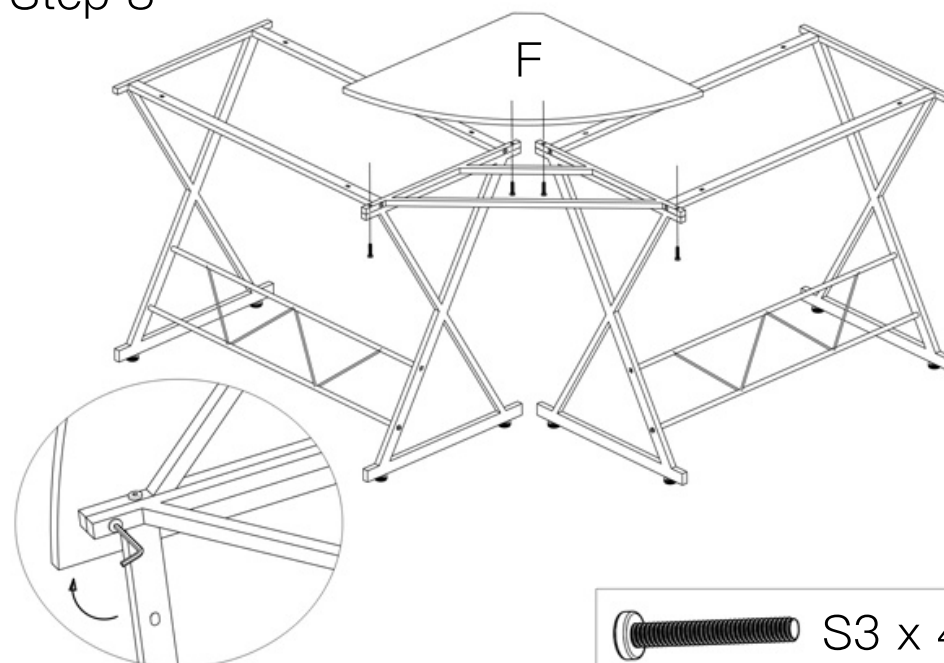
S2 x 2

### Step 6



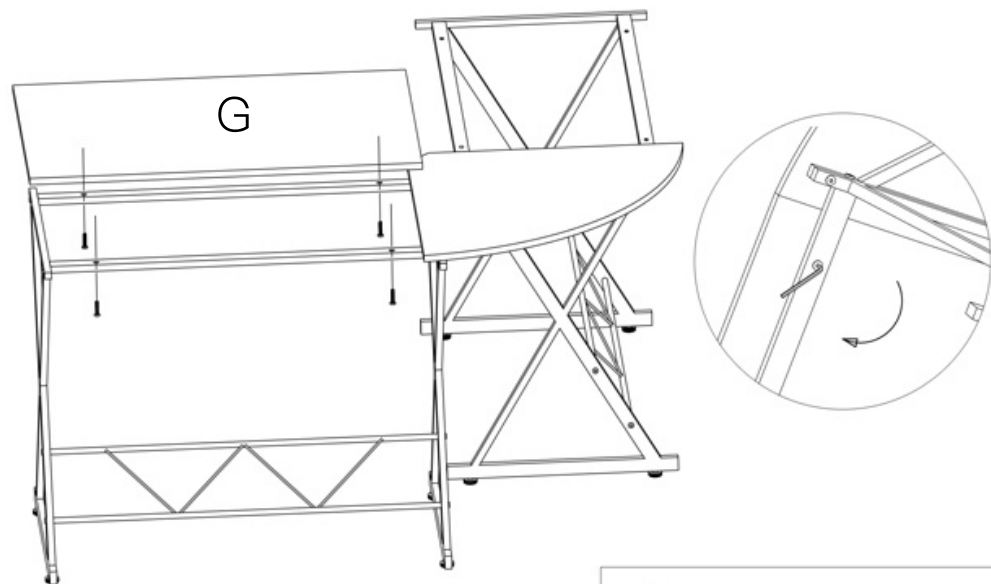
S2 x 2

### Step 8



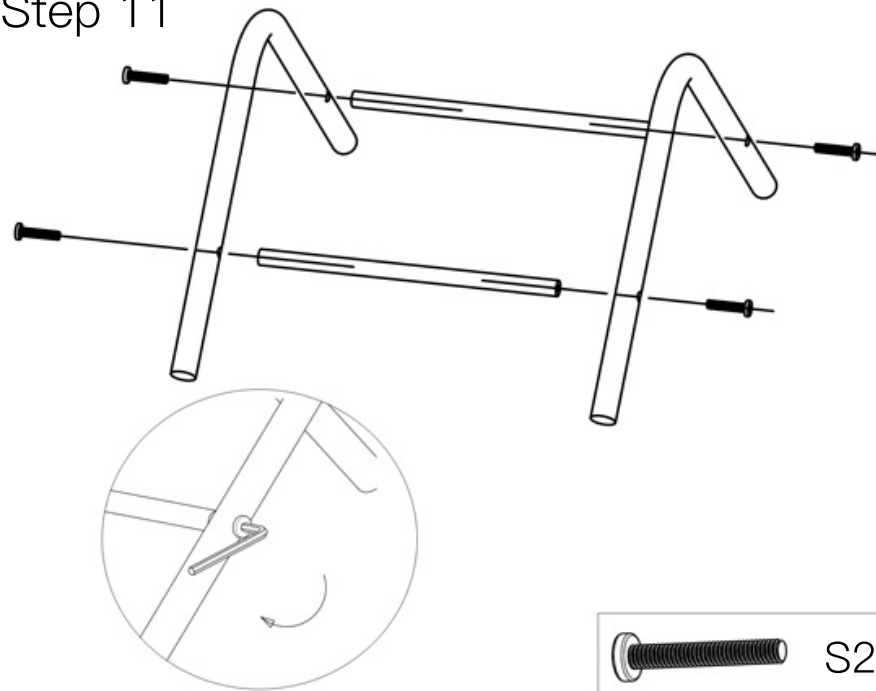
S3 x 4

Step 9



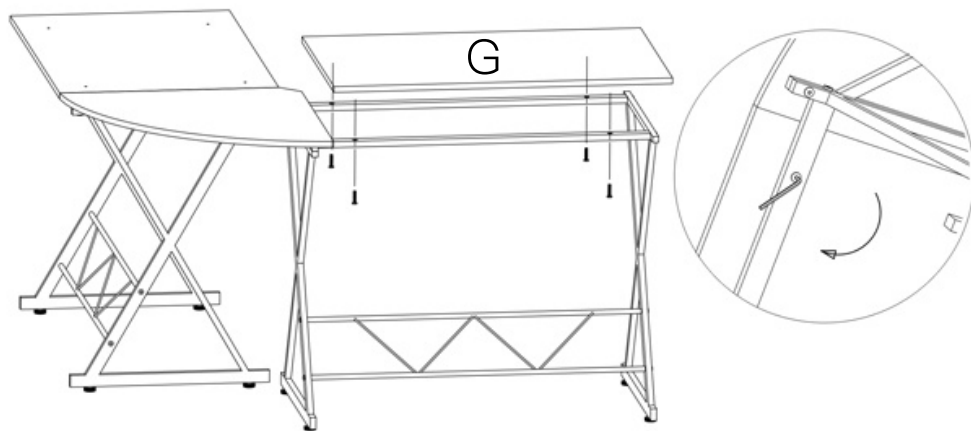
S1 x 4

Step 11



S2 x 4

Step 10



S1 x 4

ASSEMBLE ACCOMPLISHED

