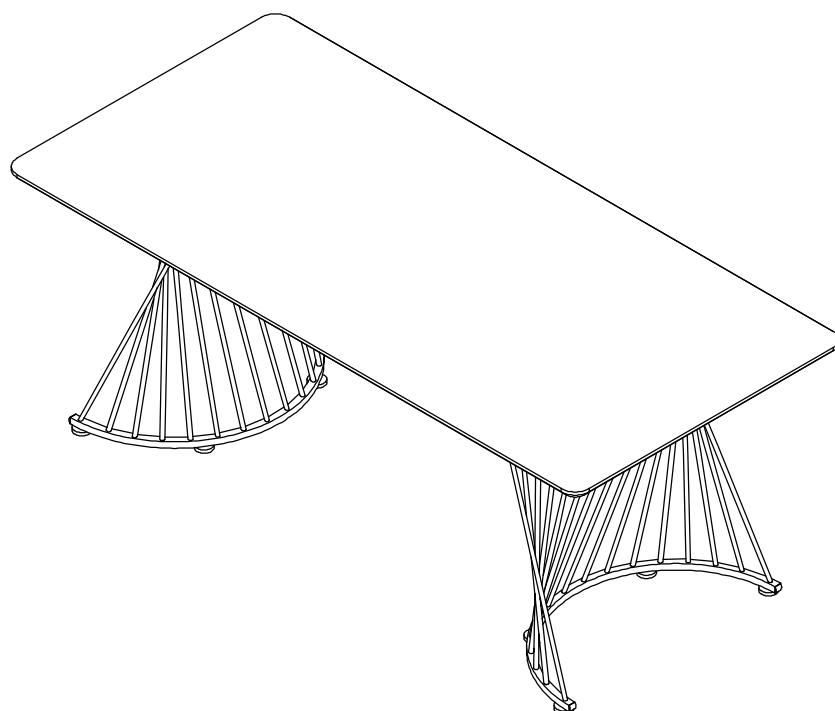


ASSEMBLY INSTRUCTIONS



DINING TABLE

ASSEMBLY INSTRUCTIONS

ASSEMBLY TIPS:

1. Remove hardware from box and sort by size.
2. Please check to see that all hardware and parts are present prior to start of assembly.
3. Please follow attached instructions in the same sequence as numbered to assure fast & easy assembly.



WARNING!

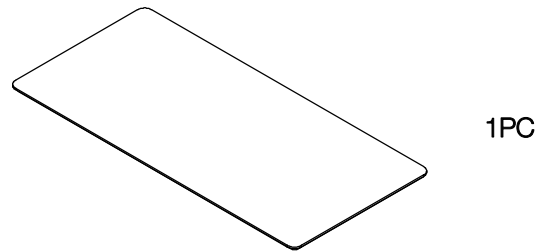
1. Don't attempt to repair or modify parts that are broken or defective. Please contact the store immediately.
2. This product is for home use only and not intended for commercial establishments.

ASSEMBLY TIME 35 MINUTES

PARTS IDENTIFICATION

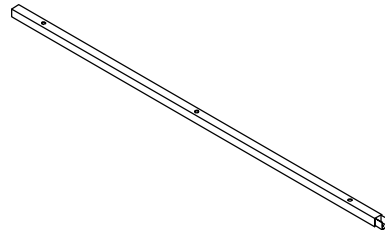
B1: DINING TABLE TOP

A TABLE TOP



1PC

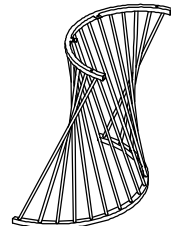
B CROSSBAR



2PCS

B2: DINING TABLE BASE

C SIDE FRAME



2PCS

HARDWARE IDENTIFICATION

1 SHORT BOLT
(1/4" x 12mm BLK)



8PCS

2 LONG BOLT
(1/4" x 32mm BLK)



10PCS

3 CAP
(20 x 20mm BLK)



4PCS

4 LEVELER
(1/4" x 12mm BLK)



8PCS

5 ALLEN KEY
(4mm)

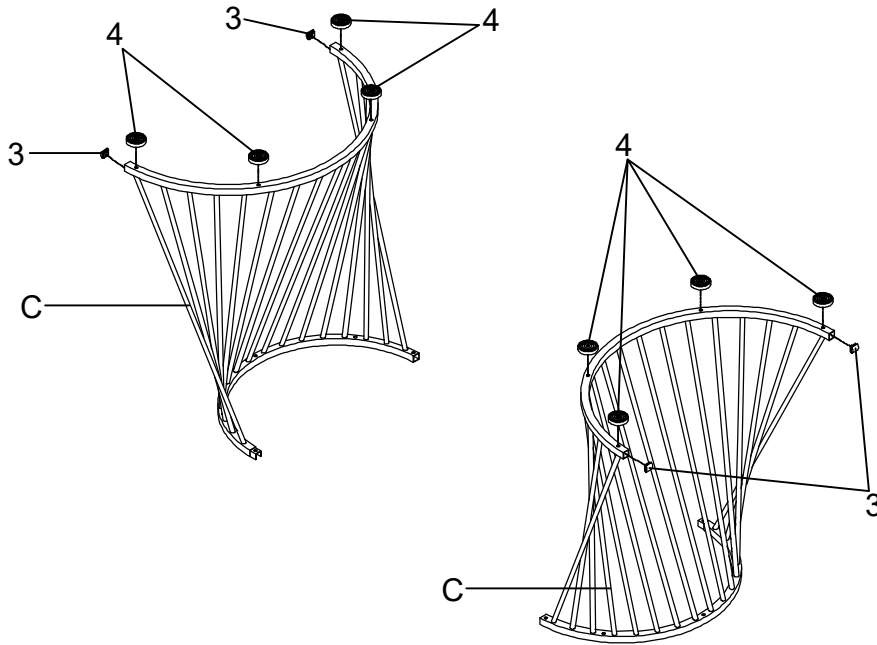


1PC

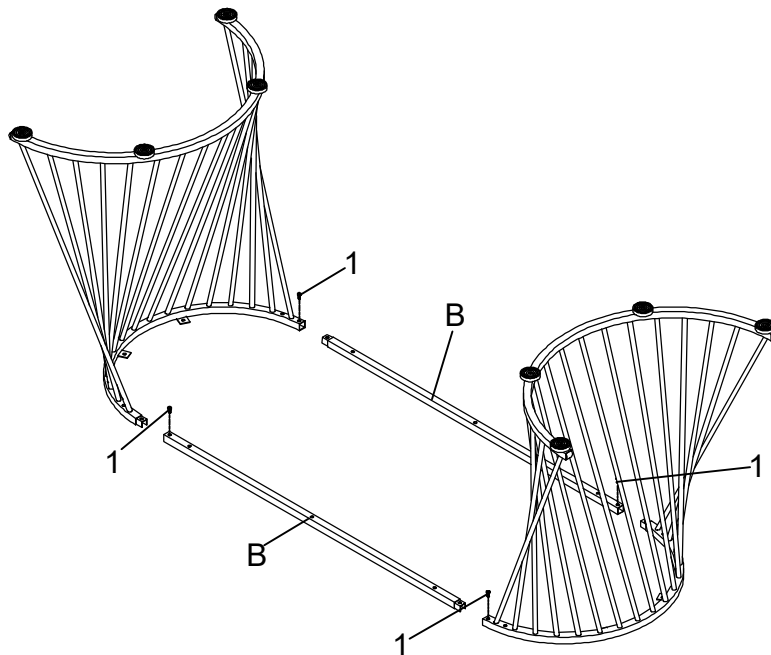
Hardware pack

ASSEMBLY INSTRUCTIONS

STEP 1 Do not tighten until each step is completed or instructed.

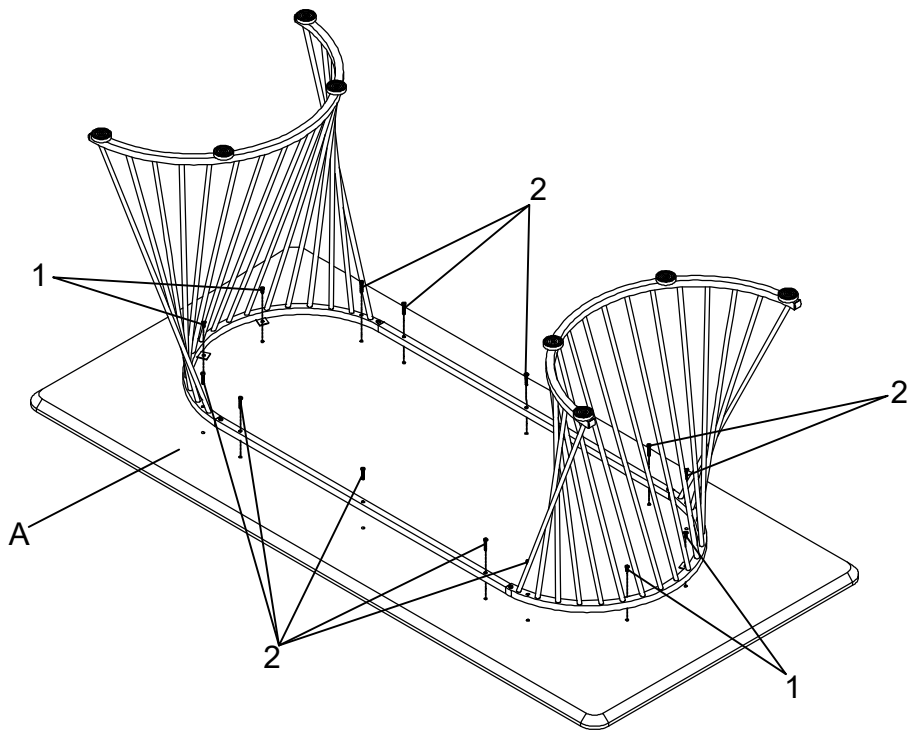


STEP 2



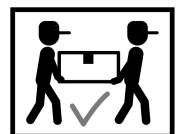
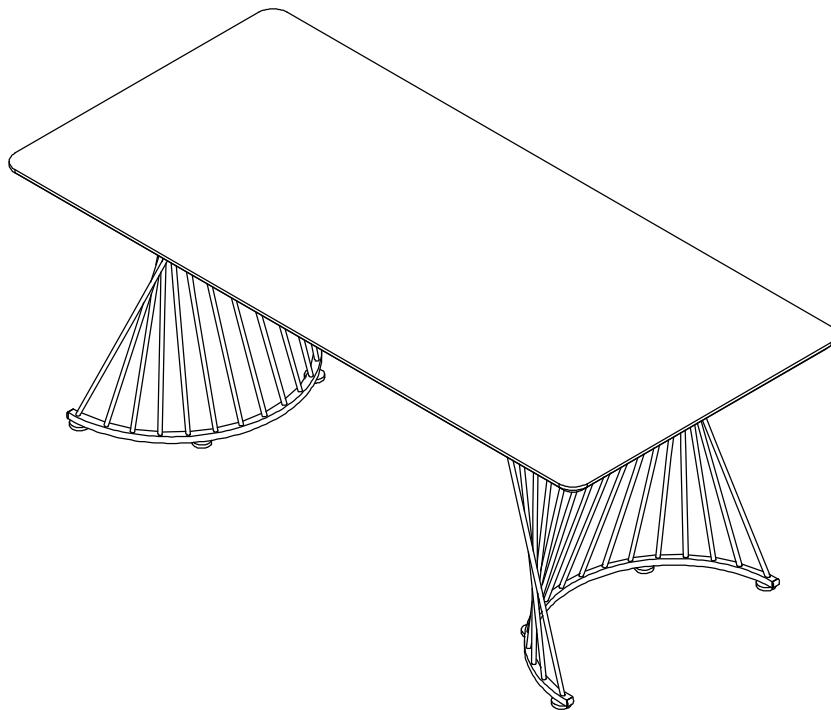
ASSEMBLY INSTRUCTIONS

STEP 3



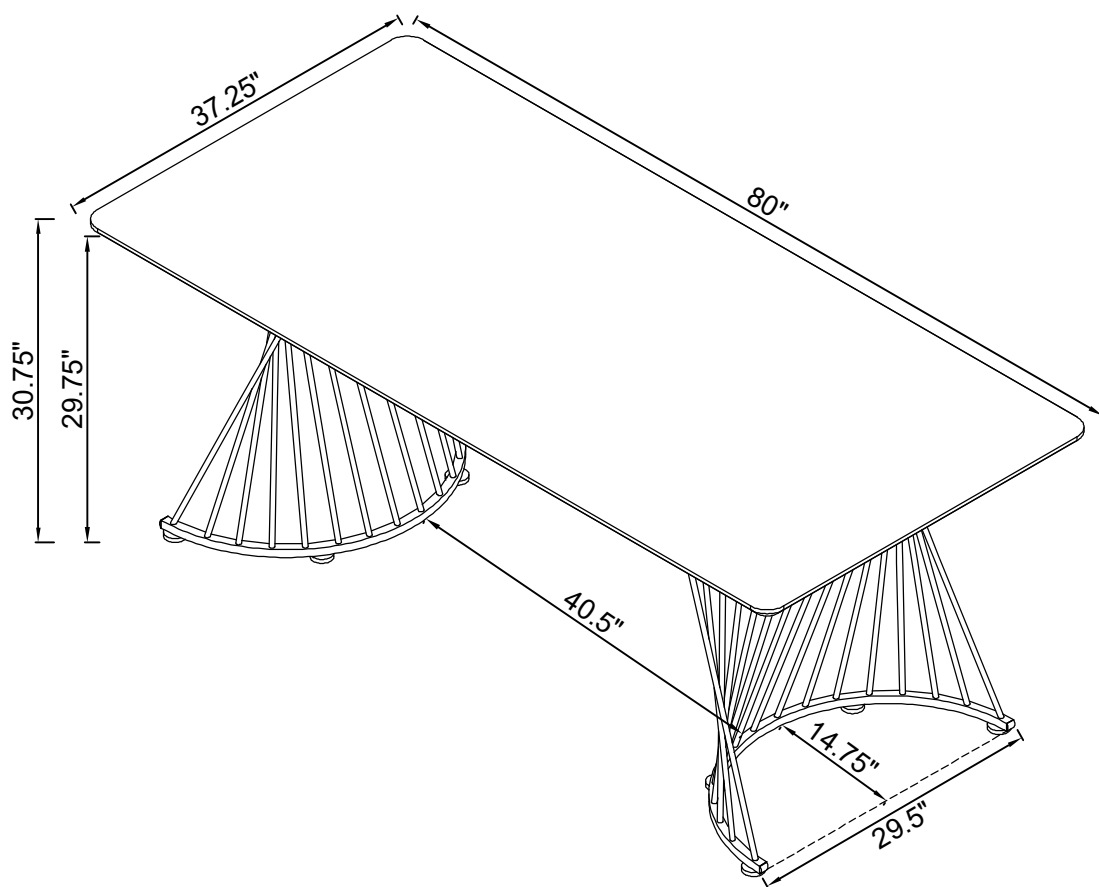
STEP 4

COMPLETE



ASSEMBLY INSTRUCTIONS

Product Size : 2032 X 946 X 781 H (MM)
Product Size : 80" X 37.25" X 30.75"



Note : Dimension tolerance $\pm 5\%$