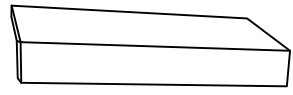


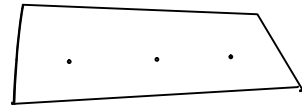
ASSEMBLY INSTRUCTIONS

PARTS AND HARDWARE

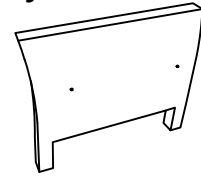
Avoid using sharp objects such as a knife to cut open packing as you may accidentally damage the upholstery.



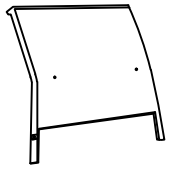
A.1x



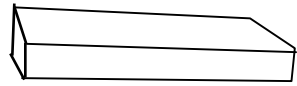
B.1x



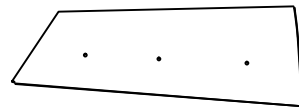
C.1x



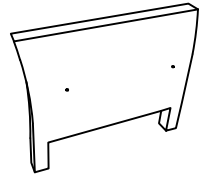
D.1x



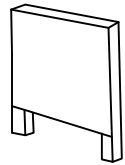
E.1x



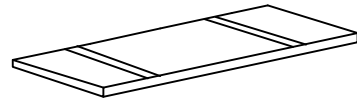
F.1x



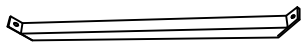
G.1x



J.2x



K.1x



L.1x



M.28x
M6X40mm



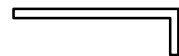
N.4x
M6X35mm



P.8x
M6X20mm



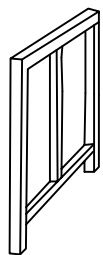
Q.1x



T.1x

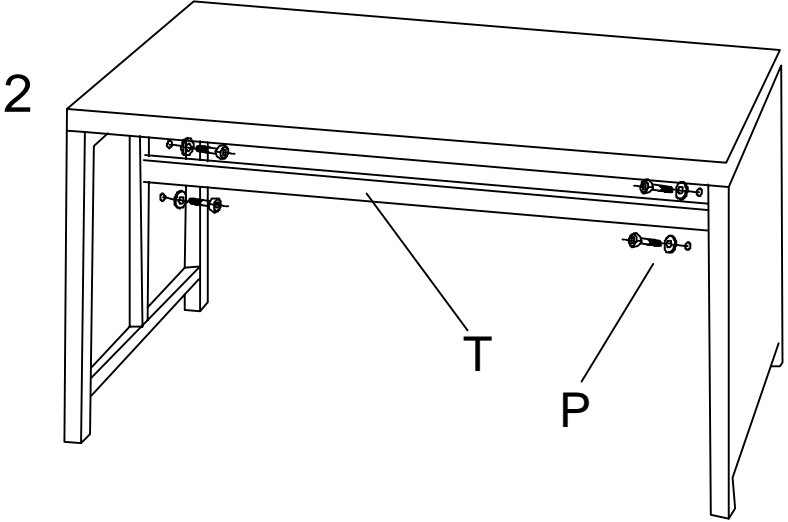
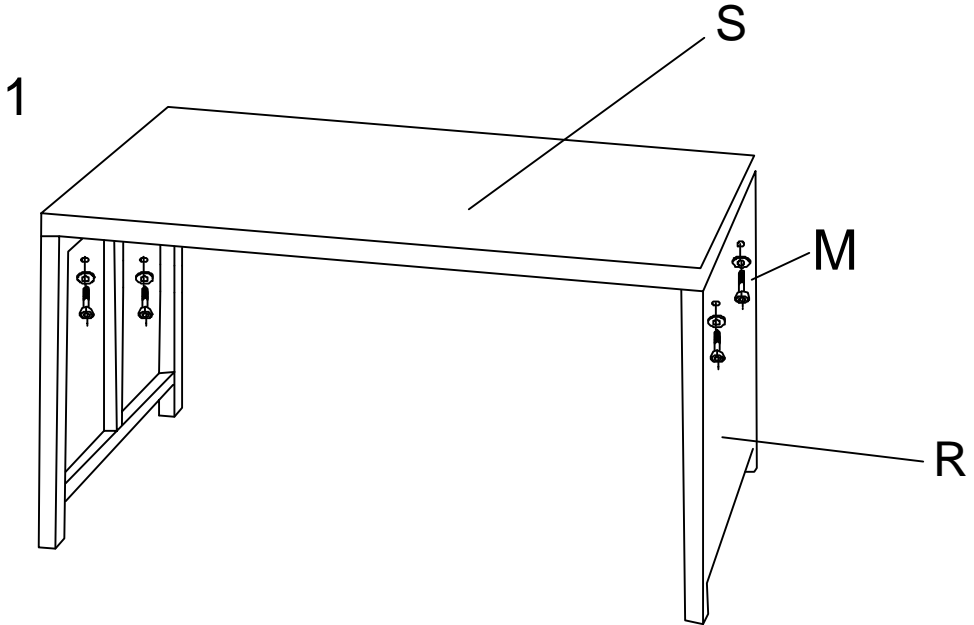


S.1x



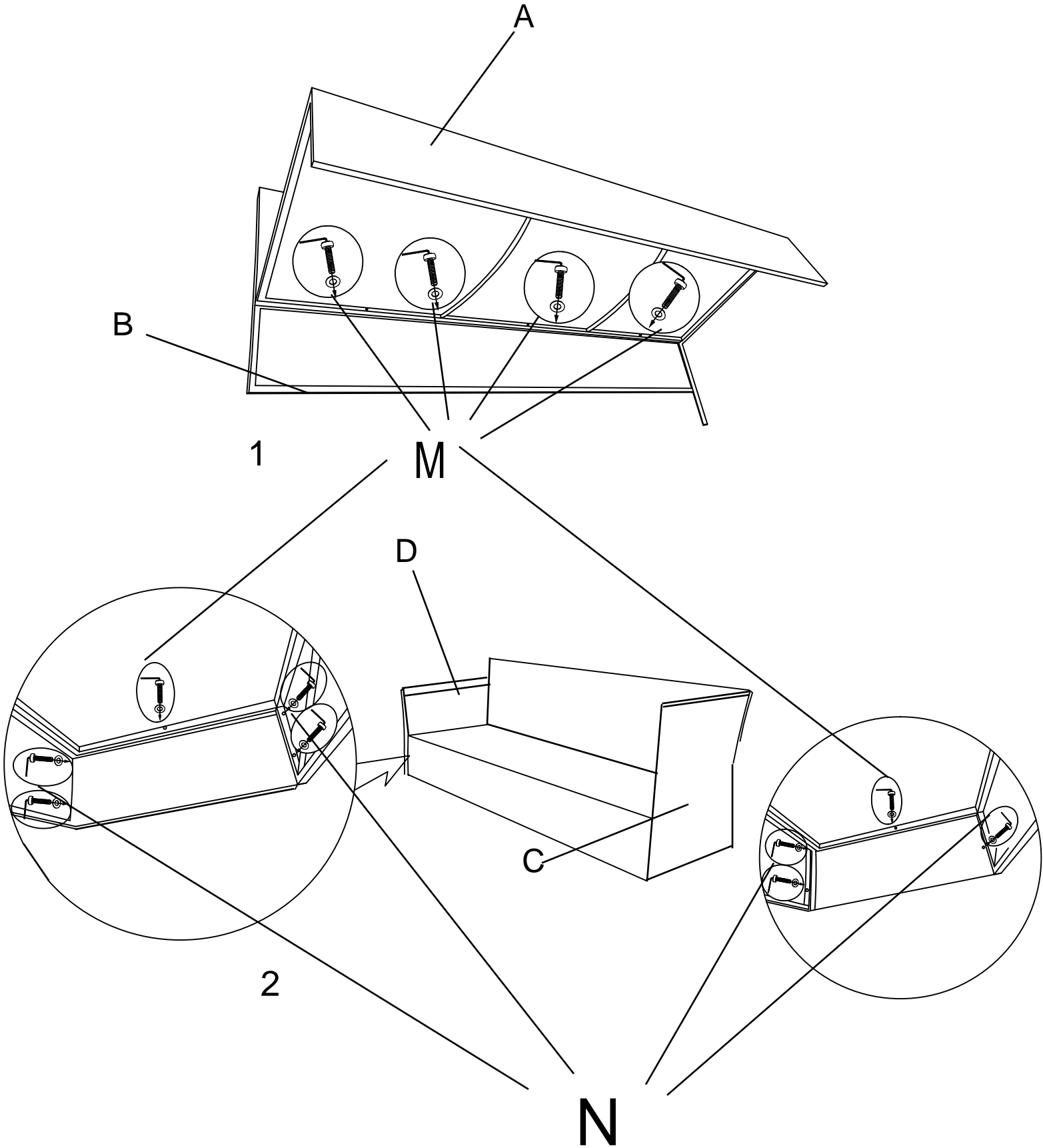
R.2x

Bench

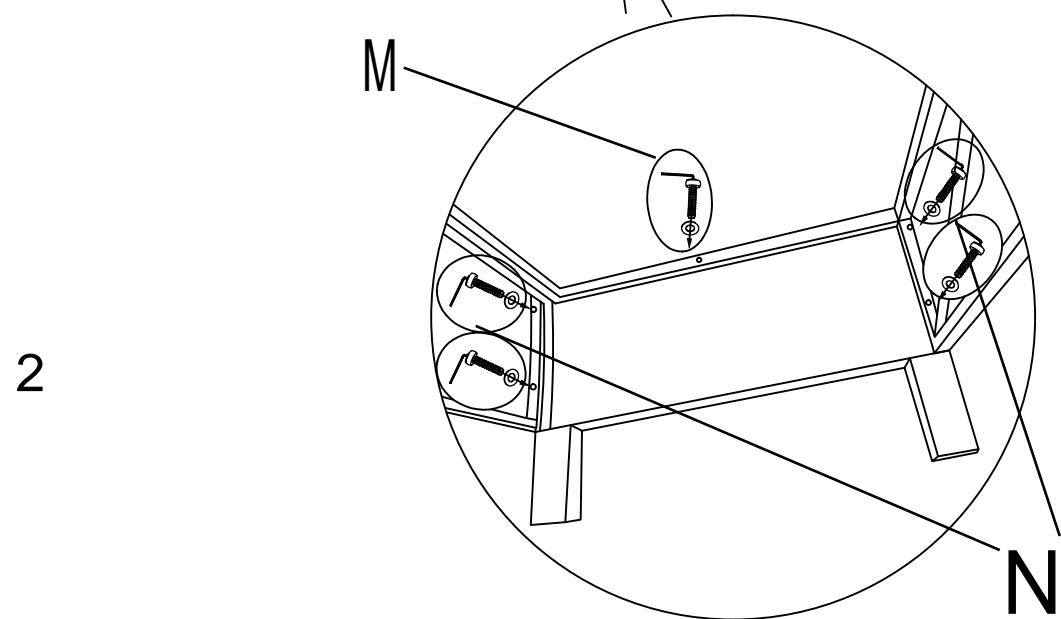
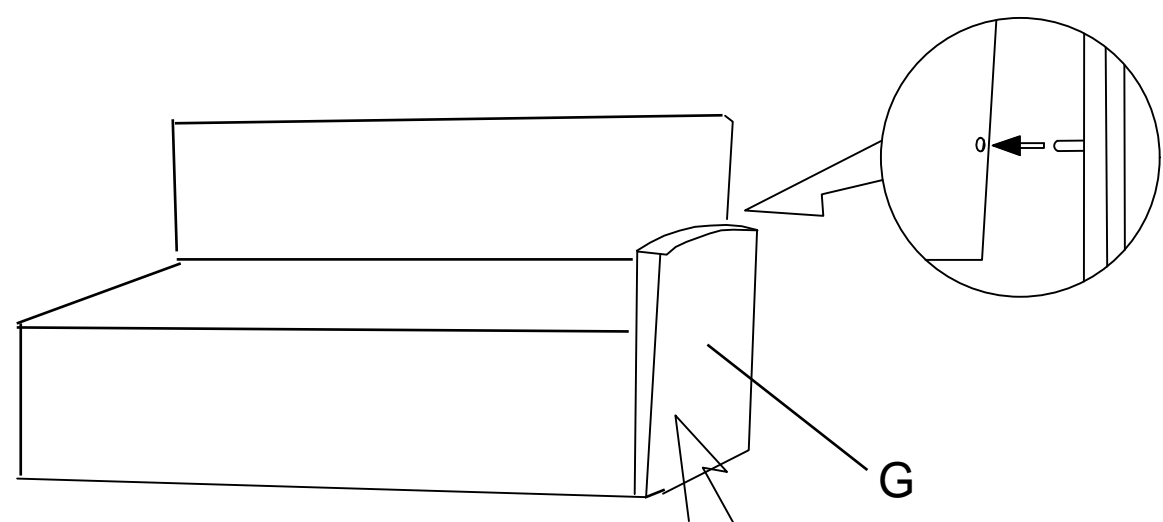
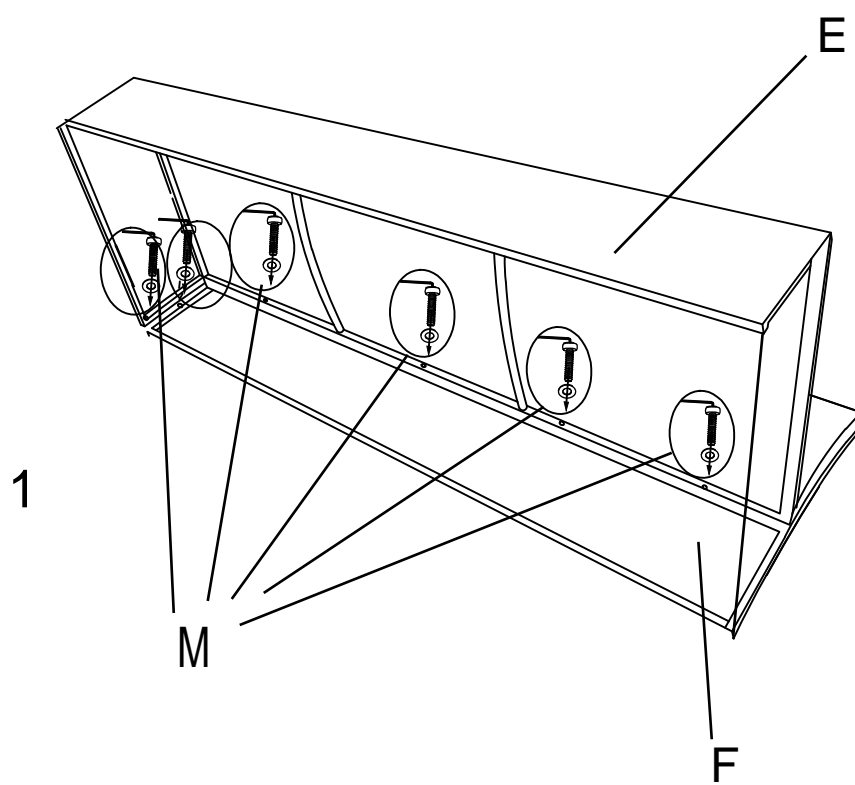


Do not fully tighten bolts until assembly is complete.

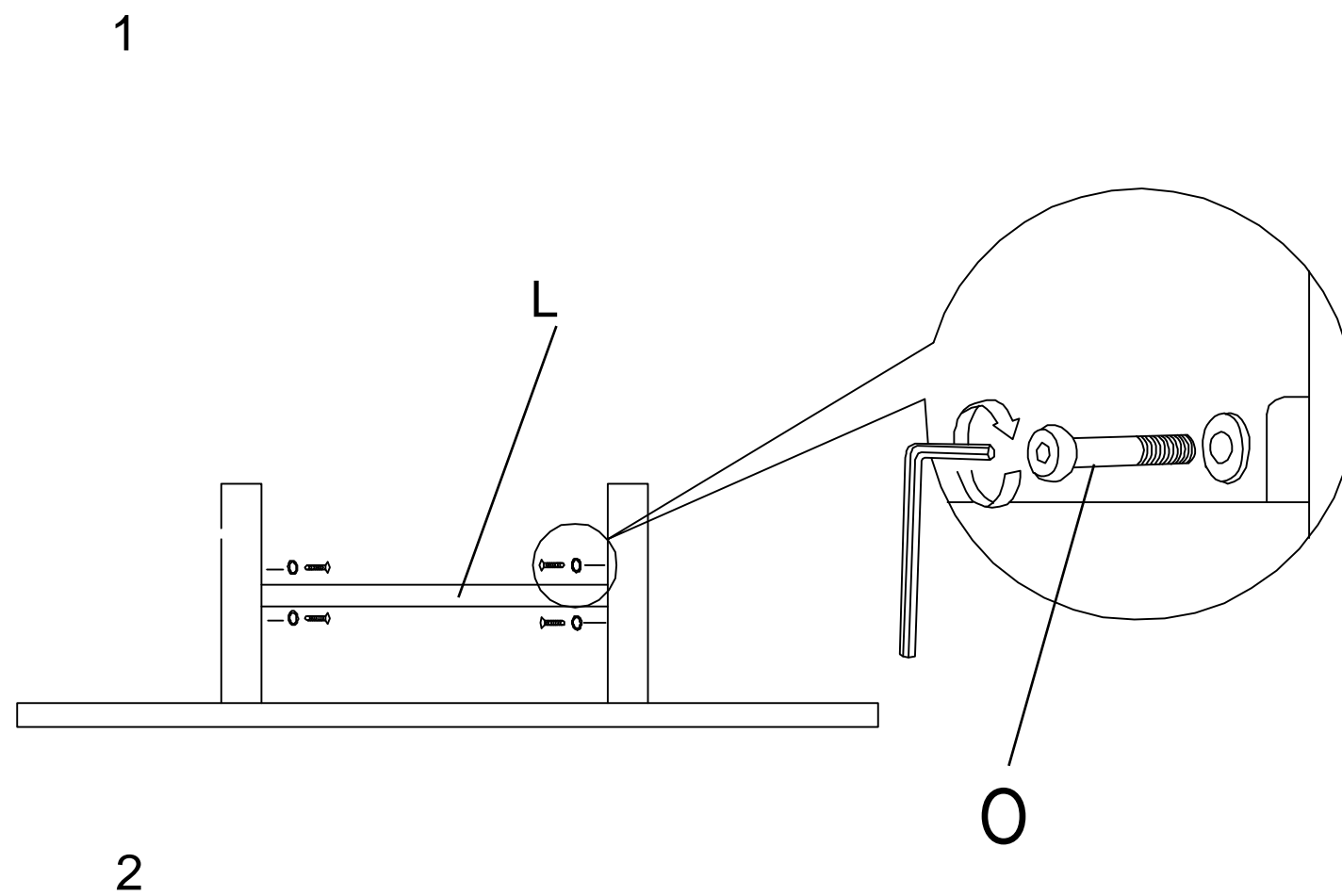
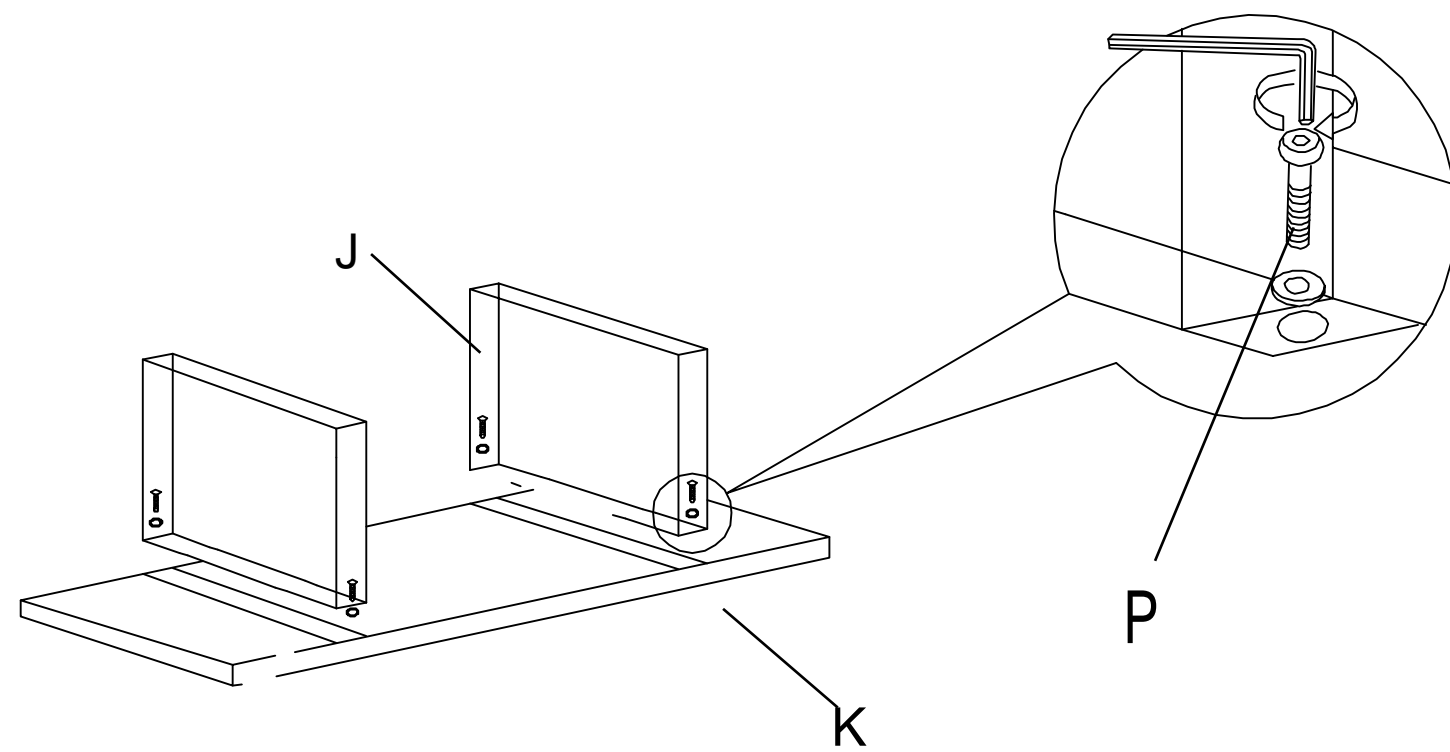
3seat corner sofa

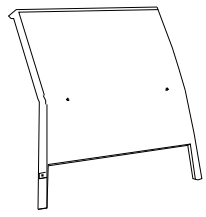


3seat sofa

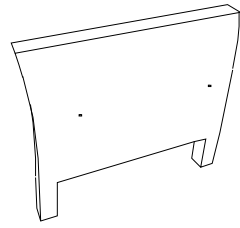


Dining table





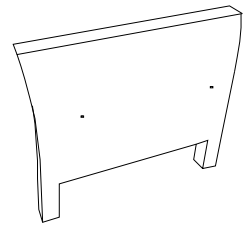
③ Backrest2
Sofa
1X



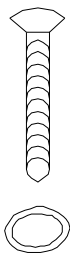
④ Right Arm
2X



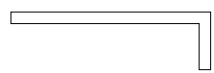
⑧ Seat
Chair
1X



⑦ Left Arm
2X



Ⓐ Bolt / Washer
12X M6*40



Ⓒ Allen Key
1X

