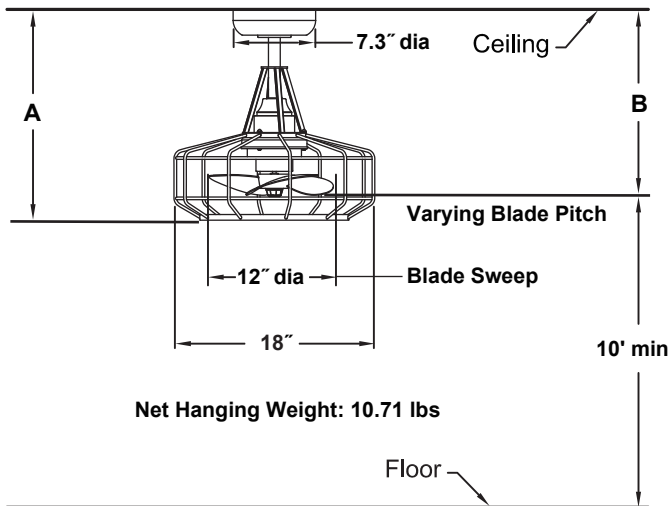


# 18" Ceiling Fan



	A	B
Fan w/8" downrod	18.88"	15.77"
Fan w/12" downrod	22.88"	19.77"
Fan w/18" downrod	28.88"	25.77"
Fan w/24" downrod	34.88"	31.77"
Fan w/36" downrod	46.88"	43.77"
Fan w/48" downrod	58.88"	55.77"
Fan w/60" downrod	70.88"	67.77"
Fan w/72" downrod	82.88"	79.77"

## INSTALLATION REQUIREMENTS:

Fan must be attached to a securely anchored electrical junction box capable of withstanding a load of at least 35 lbs.

## ELECTRICAL REQUIREMENTS:

Requires a grounded electrical supply line of 120 volts AC, 60Hz, 15 amp circuit.

## MOTOR SPECS:

79.5 x 64 AC motor is designed for optimal performance with this fan.

## CONTROL OPTIONS:

TR500S hand-held remote control is included. Push button remote control with variable fan speeds, fan timer and off button. Optional CWRL4, WC1WH and WR500WH wall controls, BTCR9 and CRL4WH hand held remote controls and BTR9 receiver unit and WFR50 WiFi receiver unit are available—sold separately. Instructions are provided with each control.

## DOWNROD OPTIONS:

Fan comes with a 1" Dia. x 8" downrod (DRT1-8). Optional downrods are available in 12", 18", 24", 36", 48", 60" and 72" lengths. Fan can be mounted on a sloped ceiling up to 20°. Most sloped ceiling installations require a standard 8" downrod or longer downrod. Optional sloped ceiling kits (SCK1-52) are available for slope angles up to 42°. Call technical support for more information.

## LOCATION USE:

Fan is rated for dry and damp locations. This fan is for rooms up to 100 sq ft.

Available Finishes	
LBL	Black with Black Blade
LBN	Brushed Nickel with Gray Blade
LGR	Matte Greige with Weathered Wood Blade

Airflow / Energy Efficiency Info (120V)					
Fan Speed	Max RPM	CFM	CFM / Watts	Amps	Watts
High	1162	947	38	0.21	25
Med	892	739	39	0.19	19
Low	623	516	41	0.16	13

Energy Guide FTC			
Power (W <sub>ave</sub> )	Total Air Delivery (CFM <sub>ave</sub> )	Estimated Yearly Energy Cost (\$)	Ceiling Fan Efficiency (CFM/W)
20	745	6	37