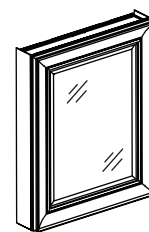
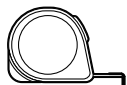


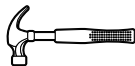
MEDICINE CABINET



TOOLS REQUIRED



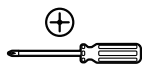
Measuring tape



Claw hammer



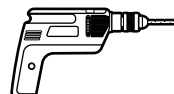
Safety goggles



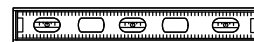
Phillips screwdriver



Wood screws
x4

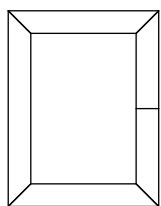


Power drill

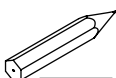


Level

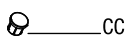
HARDWARE INCLUDED



AA



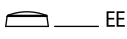
BB



CC



DD



EE



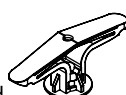
FF



GG



HH



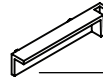
II



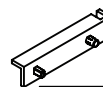
JJ



KK



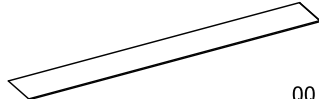
LL



OO



PP



QQ

Part	Description	Quantity
AA	Cabinet	1
BB	Pencil	1
CC	Shelf Hole Plug	24
DD	Side Mirror Bracket Pan Head Screw	4
EE	Snap Cap	4
FF	Washer	4
GG	Side Mirror Bracket with Adhesive Strips	4
HH	Support Bracket Pan Head Screw	4
II	Support Bracket	2
JJ	Wall Anchor	4
KK	Anchor Key Pin	1

Part	Description	Quantity
LL	Shelf Support Bracket - Left	2
MM	Rubber gasket	2
OO	Shelf Support Bracket - Right	2
PP	Glass Shelf	2
QQ	Side Mirror	



NOTE: Before installing, make sure all parts are present. Compare parts with the Hardware Included list. If any part is missing or damaged, do not attempt to install the product.

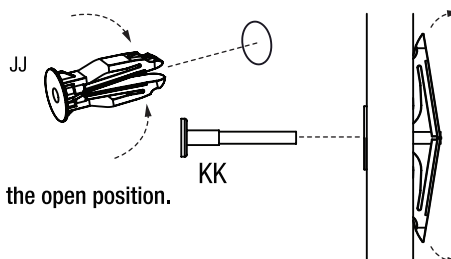
Wall Anchor Use



IMPORTANT: The preferred installation has the Bottom Support Bracket Pan Head Screws (HH) and CAM Screws fastened to studs, headers, or other structural wall members. If you CANNOT fasten the screws to a structural wall member, please use the included Wall Anchors (JJ) to secure your cabinet safely to the wall, following the instructions below before moving on to the Surface Mount Installation instructions.

1 INSTALLING WALL ANCHORS

- Drill pilot holes in the desired screw positions.
- Fold the anchor (JJ) wings to the closed position.
- Insert the closed anchors (JJ) into the pilot holes. Tap with a hammer until the anchor washers are flush with the wall.
- Insert the key pin (KK) into the anchors (JJ), pushing until the wings snap into the open position.
- Remove the key pin (KK) from the anchors (JJ).

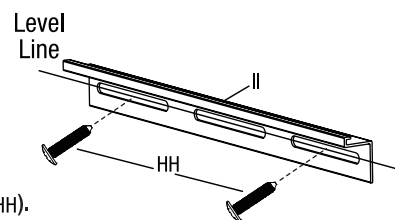


Surface Mount Installation

1 INSTALLING THE MOUNTING BRACKET

IMPORTANT: If you are not fastening your cabinet to a structural wall member, please follow Wall Anchor Use above before installing the bracket (II) and screws (HH).

NOTE: The bottom of the cabinet should be a minimum of 3 in. above the faucet.



- Find and mark the desired location for the mounting bracket (II) and pan head screws(HH).
- Use the level and measuring tape to ensure a level line and correct positioning.
- Install the pan head screws(HH)through the mounting bracket (II) slots and into the wall.

2 INSTALLING THE CABINET TO THE WALL

- Installation requires two people to work together
- Mount the cabinet(AA)onto the mounting bracket(II),please note that the product is needed at a 60° against the wall to facilitate the cabinet to be locked into the bracket, ensure that mounting bracket(II) lip locks into the cabinet channel lip.
- After the cabinet is installed on the bottom bracket(II), one person needs to open the cabinet door and hold the cabinet with his hand to prevent the cabinet from tilting outward. The other person use pencil to draw a top support barcket straight line.
- Position the cabinet (AA) on the wall align with support barcket(II) with top support barcket pan head screw(HH)
- Ensure that the pan head screws(HH)are fully tightened.

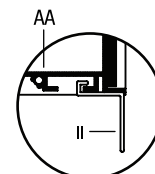
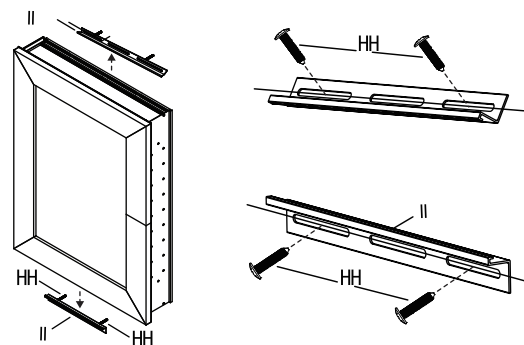


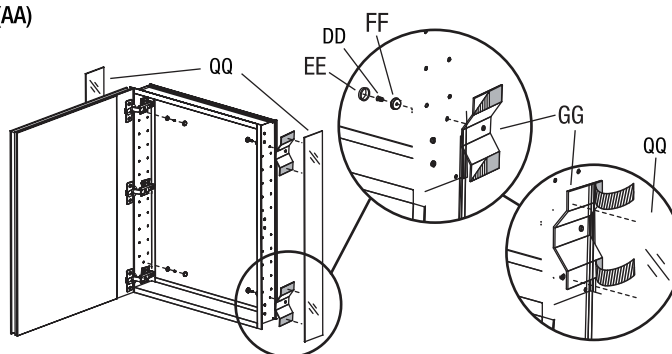
Figure 1



3 ATTACHING THE SIDE MIRRORS

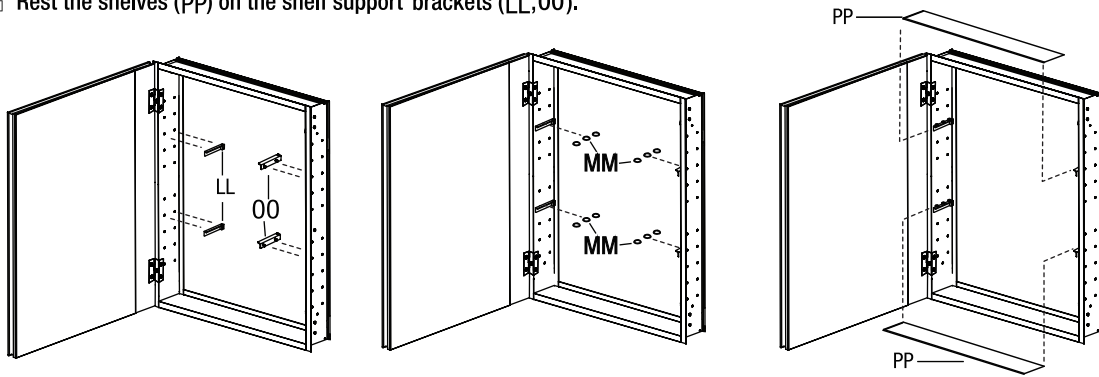
- Attach the four side mirror brackets (GG) to the cabinet (AA) sides with the pan head screws (DD), washers (FF) and snap caps (EE) to cover the screw heads as illustrated.
- Remove the paper on the tape on the brackets (GG) and stick the side mirrors (QQ) to the side mirror brackets (GG).

NOTE: Please make sure the side mirrors (QQ) are aligned with the cabinet (AA) before attaching the side mirrors (QQ).



1

- Insert the left shelf support bracket (LL) into the holes on the left side of the cabinet. Repeat on the right side (OO).
- Rest the shelves (PP) on the shelf support brackets (LL, OO).



2

PLUGGING THE EMPTY HOLES

- Use the shelf hole plugs (CC) to seal the empty holes.

