



Aero Dry - Series X

Heated Clothes Airing

User Manual



For e-Support Please Scan This QR Code

Features

Features of Aero-Dry Series X Heated Clothes Airer

1. Power Output - 320 watts for energy efficient drying.
2. Temperature Control - Multiple temperature settings to choose from low, medium and high to suit different fabric types.
Low: ~30-40° (86-104°F) **Medium:** ~40-50° (104-122°F) **High:** ~50-70° (122-158°F)
3. Material - made of durable and heavy quality aluminium for lightweight and resistance to moisture and rust.
4. Design - compact, foldable and freestanding allows easy storage for every home when not in use. Multiple (26) heated drying rails and tiers for organising various types of garments based on its size and weight.
5. Capacity - 26 heated rails provides up to 15 meters of drying space for substantial amount of everyday laundry.
6. Portability - lightweight 7.7kg, making it easy to open/fold and also move around or reposition it anywhere in the house.
7. Timer Function - 0-9 hours timer designed for setting desired duration making sure clothes are not left drying for any extra time.

General Tips

General tips to use your Aero-Dry Series X

Monitor drying time

It is advisable to use the timer function to avoid over drying. If the timer function not used, kindly monitor the time and do not forget to turn it off once the clothes are dry.

Even load distribution

Arrange clothes evenly across each rails for optimal airflow and drying efficiency. Aero-Dry Series X is designed to use small size clothes on lower tiers and large garments on the upper tier.

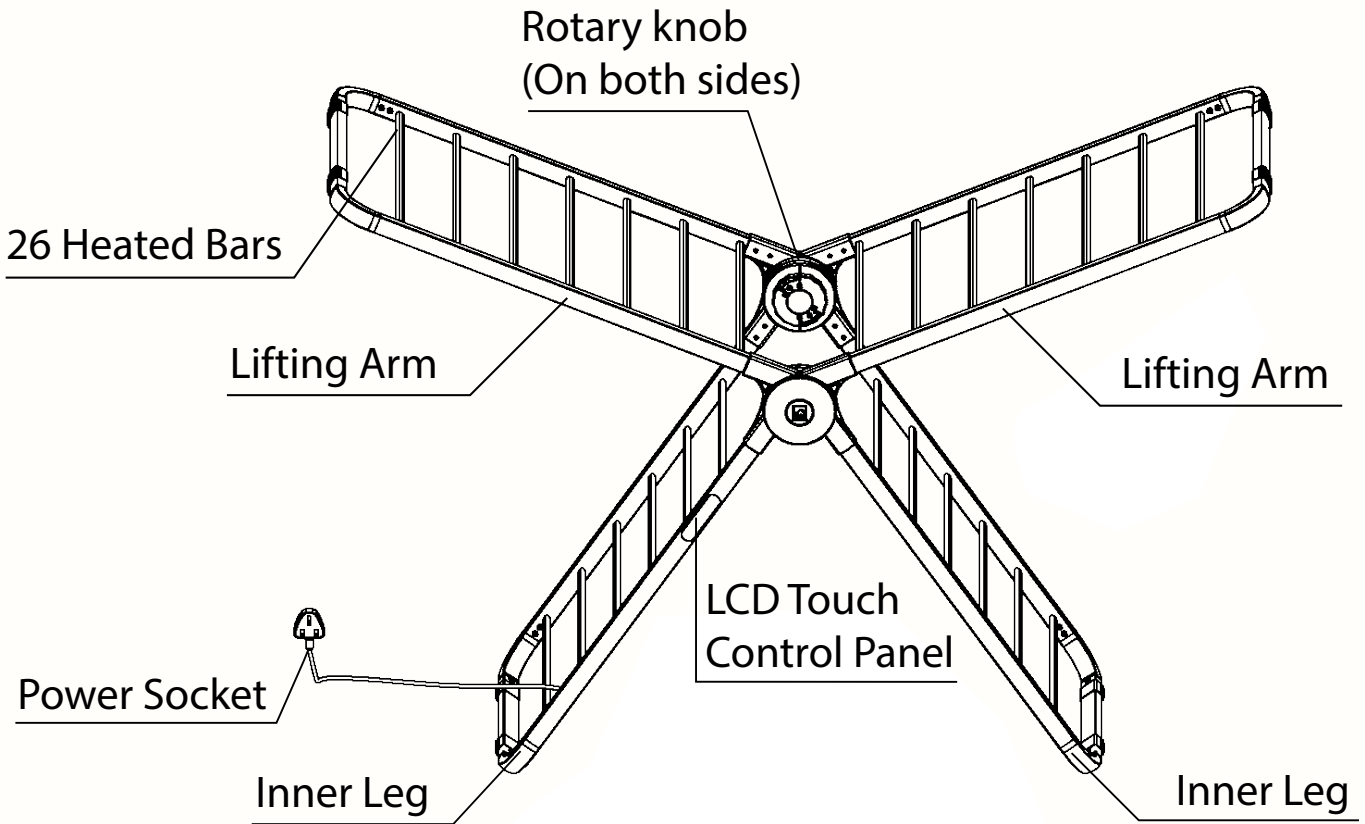
Use of cover - not included

You can buy a cover which is designed to fit the Aero-Dry Series X which helps retain heat and speed up drying. This is optional and can be purchased separately.

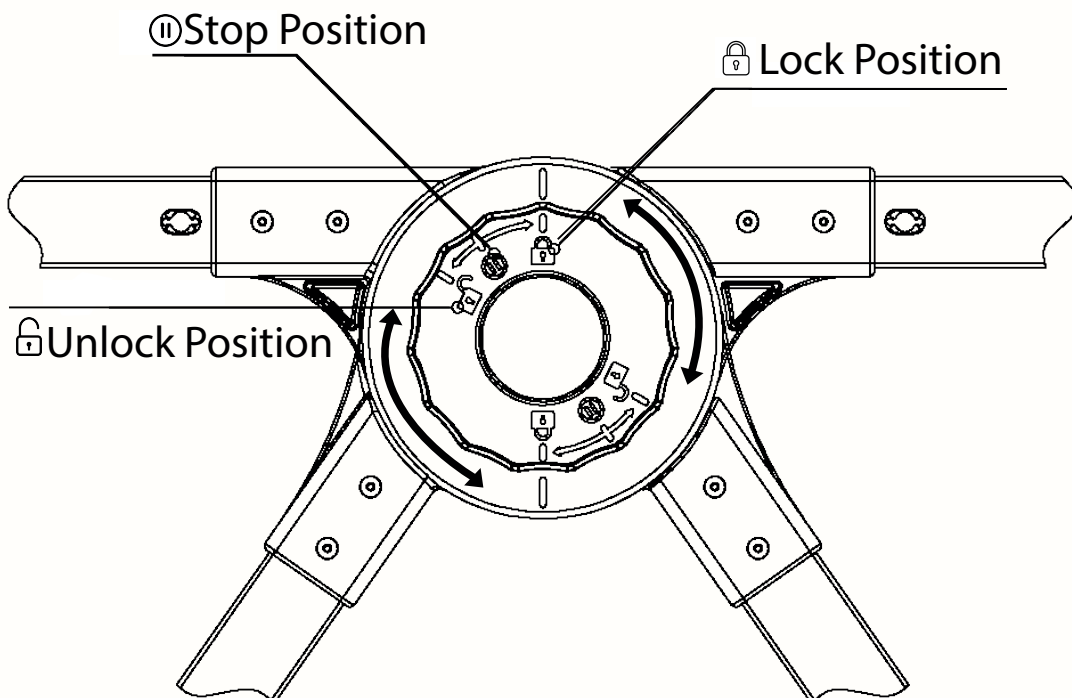
Do not overload

Avoid overloading the airer to ensure effective drying and maintain stability and longevity.

Basic Structure

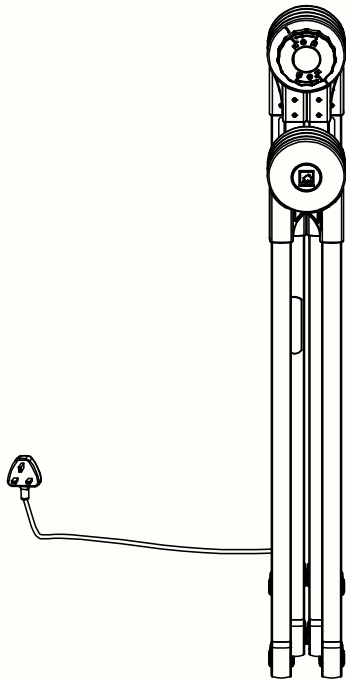


Rotary Locking System



Lock | Stop | Unlock - to be rotated using hands.

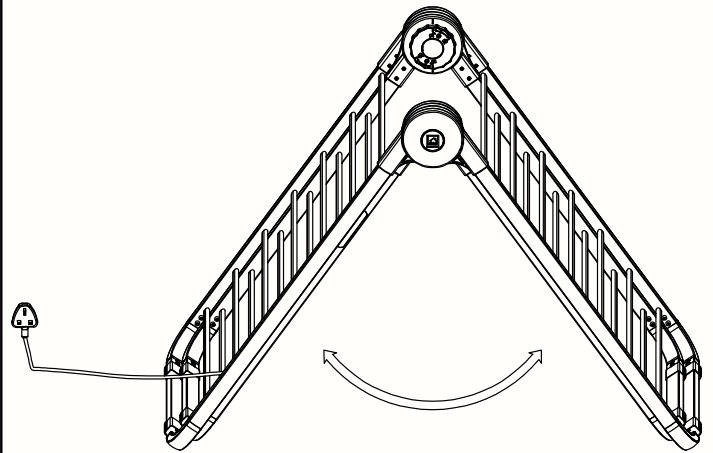
Fold / Unfold



Unbox the product and place it on the floor (free standing).

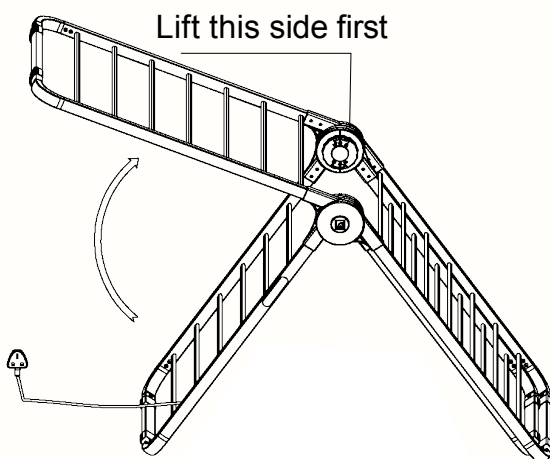
1

How to Unfold



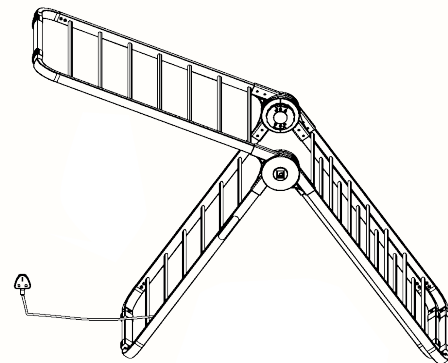
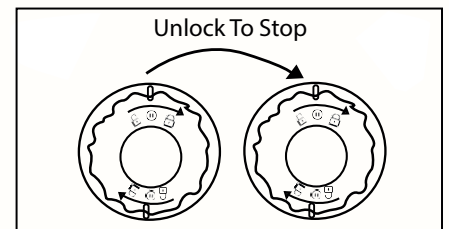
Widely open the inner legs.

2



Look out for **"Lift This Side First"** on one of the arms which needs to be lifted upwards first up to 140°.

3

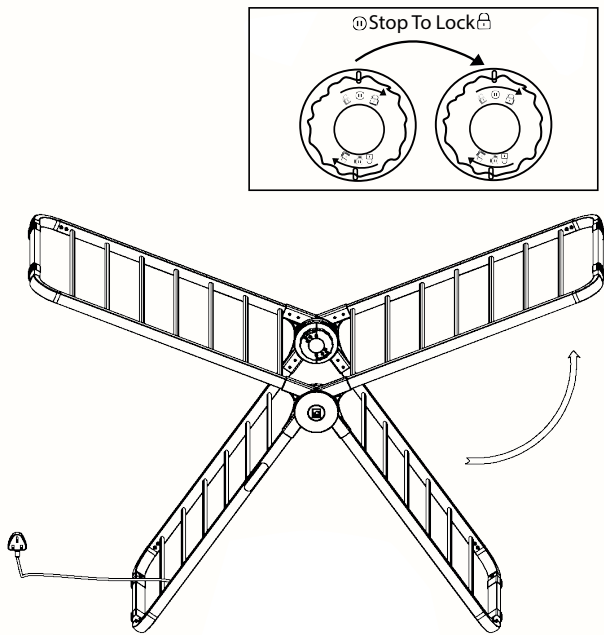


Turn the knob on any one of the side from **Unlock** position to **Stop**.


3

Fold / Unfold

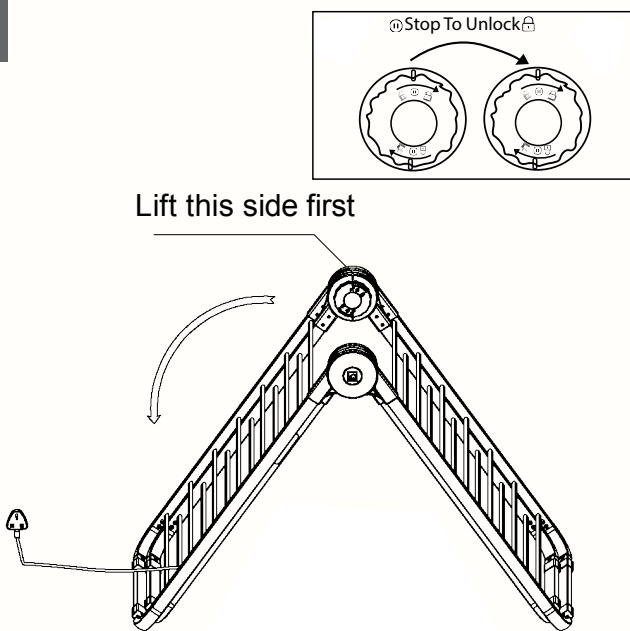
4



Lift the other arm to the same position as the first arm and turn the knob to the **Lock** position on both sides.

 Warning: Please ensure the knobs on both the sides are in locked position before you start to use.

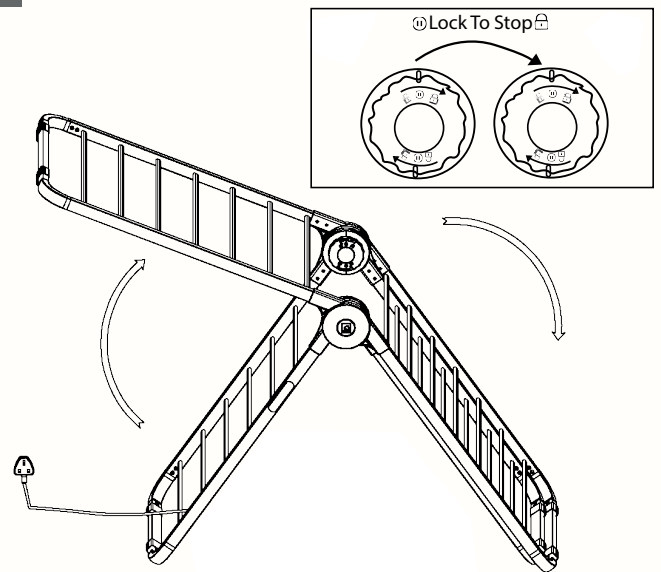
2



Turn the knob on both sides to the **Unlock** position and fold the arm with "Lift This Side First" downwards.

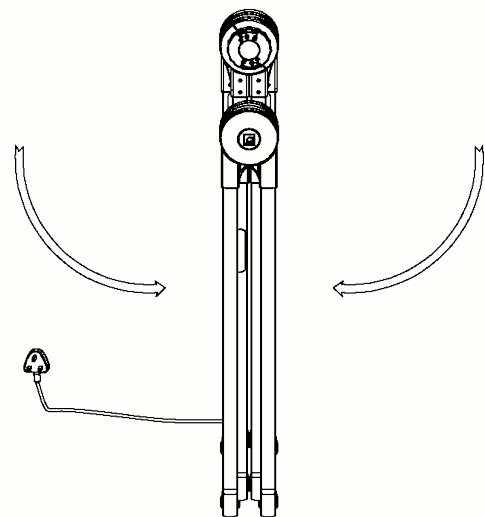
1

How to Fold



Turn the knob on both the sides to the **Stop** position and fold the second arm downwards.

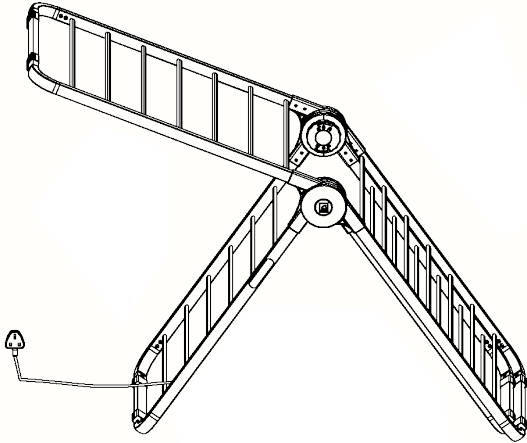
3



Fold the inner legs to make it free-standing can be stored anywhere in the house.

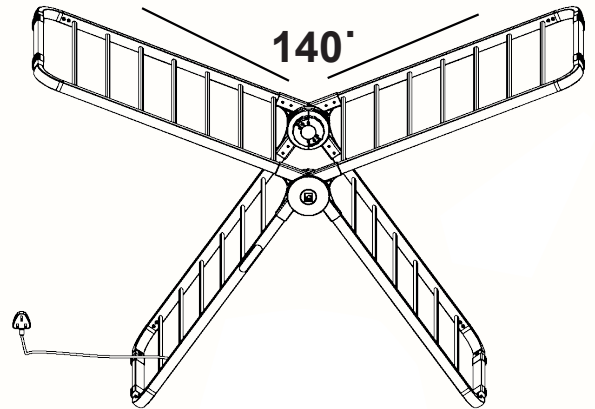
Different Positions

1



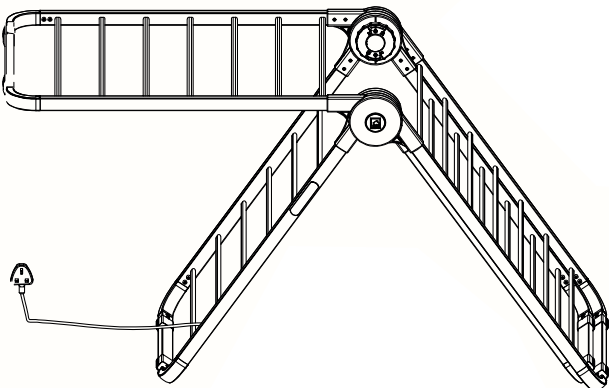
Lift both the arms to this position to use it on 140° angle.

2



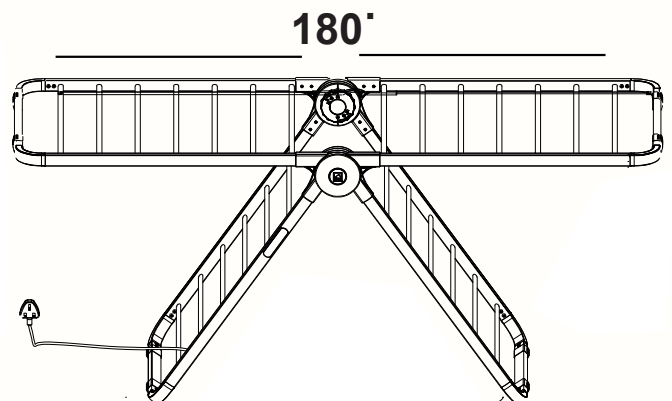
140° position of use.

1



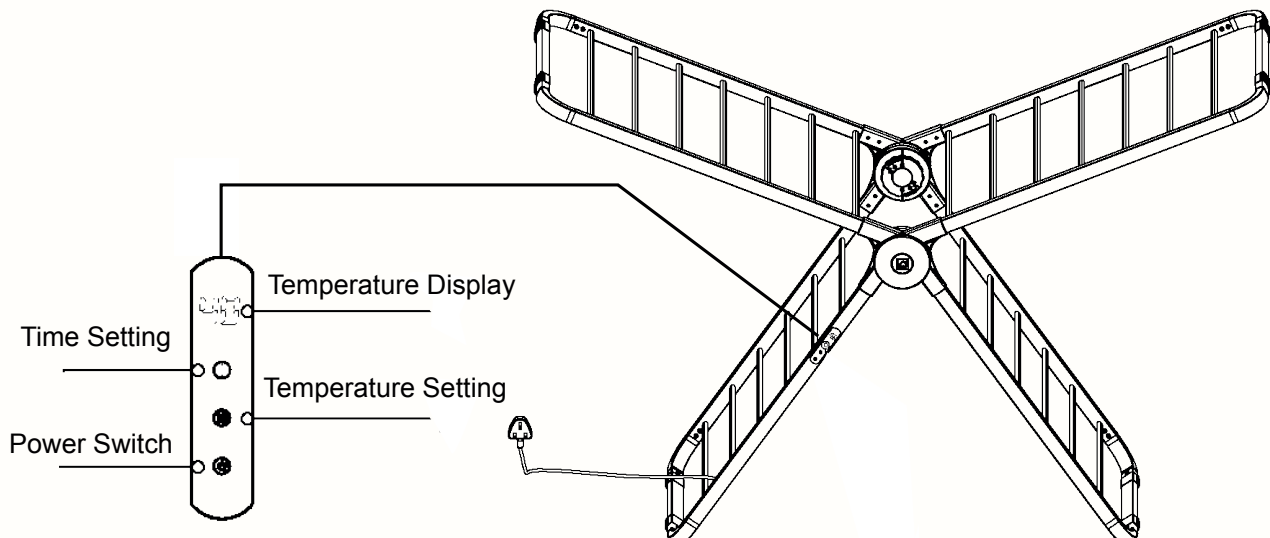
Lift both the arms to the straight position to use it on 180° angle.




2



180° position of use.

LCD Display Panel



1.  Once plugged in, the **ON** icon will appear on the touch screen LCD display panel.
2. Gently press the **ON** icon, the temperature and timer icons will appear on the LCD display.
3.  By pressing the temperature icon, you will be able to set the heating temperature from minimum 30° to the maximum of 70°. Once hit 70° maximum temperature, touch the icon again and it would reset to 30°. The temperature settings are based on increments of five degrees each time the icon is pressed.
4.  By pressing the clock icon (for timer,) the timer will start and one hour will be set for the each time the icon is pressed. The timer ranges from 0-9 hours. If the timer is not set on 0 which means the heated airer will stay on permanently until you do not manually switch it off. Once hit 9 which is the maximum hour, touch the icon again and it would reset to 0 (which means timer is off.) Kindly refer to the recommended temperature settings for different types of fabrics below.

Recommended Temperature Setting For Different Fabrics		
Fabrics	Settings	Range
Cotton & Linens	High	50-70°C (122-158°F)
Synthetic - Polyester & Nylon	Medium	40-50°C (104-123°F)
Woollens	Low	30-40°C (86-104°F)
Silk & Delicate Fabrics	Low	30-40°C (86-104°F)
Denims	Medium / High	50-70°C (122-158°F)

5. While the heated airer is on using timer and/or temperature options, if the ON icon pressed, the heated airer will be turned off.

Safety Caution

Carefully read all the instructions before using the Aero-Dry Series X Aired. Kindly follow these safety cautions when using the aired to avoid personal injury and damages. This aired should be used only as described in this user manual.

- > For indoor and domestic use only.
- > This aired can be only used by children aged 10 and above. The person with reduced physical, sensory or mental capabilities can use it under supervision only.
- > This aired should be used for drying clothes as described within the instructions only. Do not use for any other purpose.
- > This aired is designed to be heated for drying clothes. This is not a toy and keep it away from babies, children and pets.
- > Make sure your electric supply matches the voltage shown on the aired.
- > Inspect the aired before use for any noticeable signs of damage. Do not use if damaged or has been dropped. In an event of damage, please contact us immediately.
- > Always use this aired on a dry level and heat resistant surface.
- > Ensure the aired is unfolded before it's switched on. Do not switch it on in folded position. When stored away, please ensure its stored in safe place (indoors only.)
- > Unplug from the mains when not in use, leave it to cool down completely before you choose to fold it. Do not wind the power cord around the aired.
- > Avoid contact between the cord and hot surface. Keep the aired and the lead away from oven, electric and gas burners, flames and water source.
- > Ensure that the aired is folded out securely as instructed before loading it with the laundry and before you turn it ON.
- > While unfolding /folding the aired, never use force. The mechanism is smooth and ensure all instructions followed carefully. Keep fingers away from all folding parts.
- > Do not overload the aired, the maximum load of the aired is 20kg. Load evenly across both sides to avoid aired tipping over.
- > Do not use any other accessories or attachments with this aired other than those recommended by Knight.



Designed & Imported by Knight Home Living Ltd.

Unit 2, Rooks Corner, Roxeth Green Avenue, South Harrow, HA2 0GP, UK.

Customers Service: +44 7507070202 Email: info@knight-homeliving.co.uk

Website: www.knight-homeliving.co.uk

Please read all instructions carefully and keep for future use.