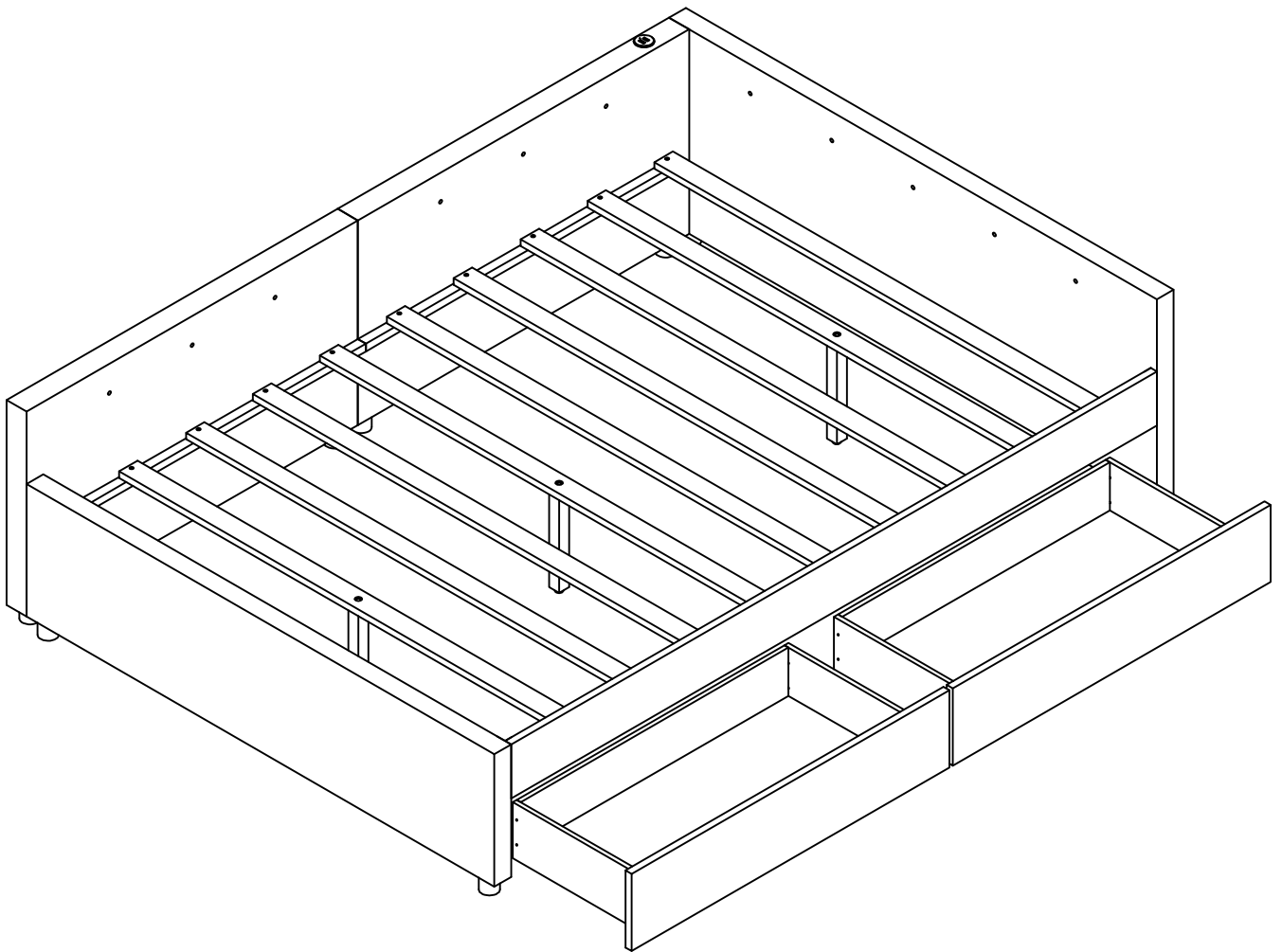
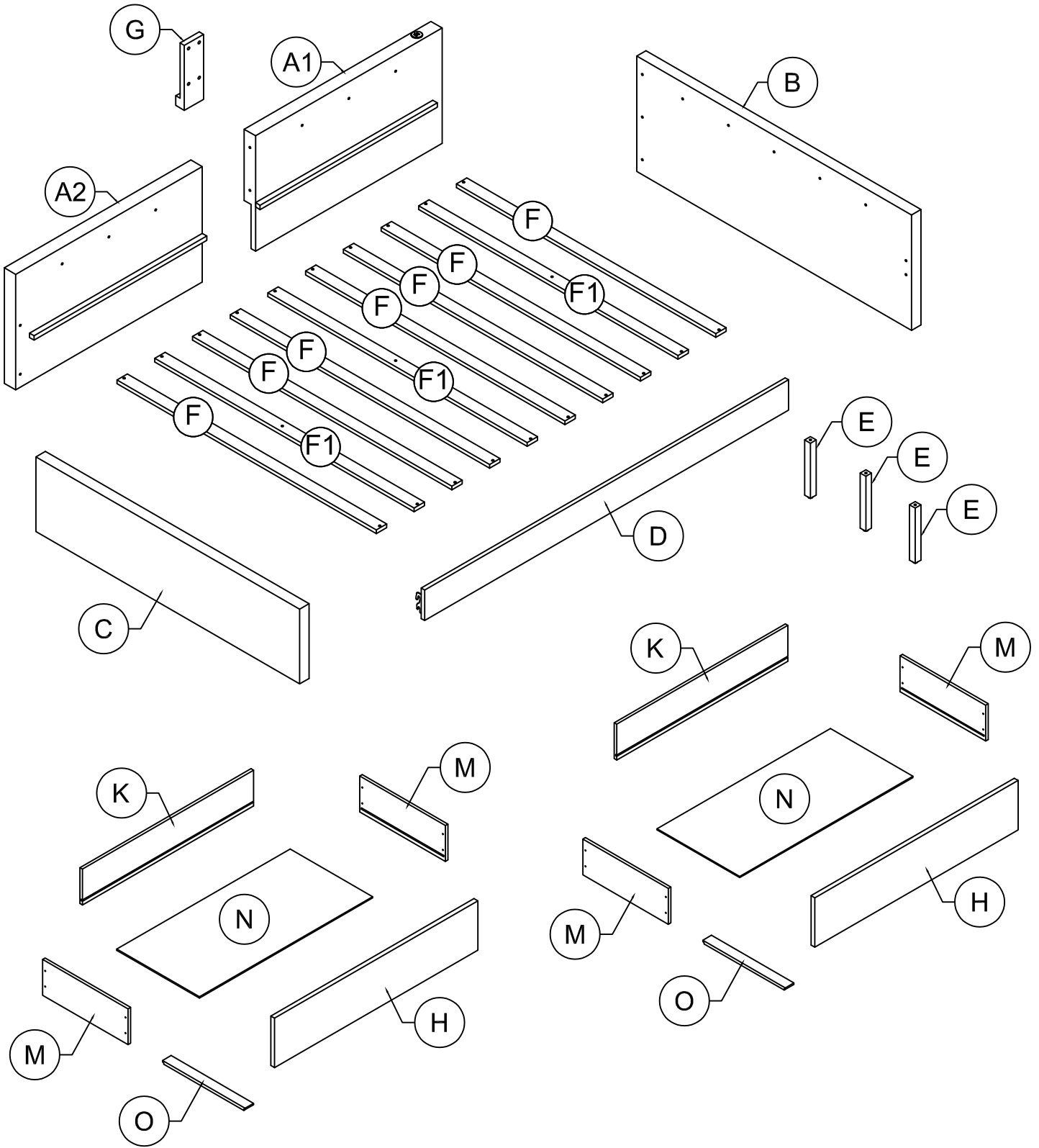


ASSEMBLY INSTRUCTION

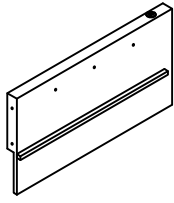


ASSEMBLY INSTRUCTION



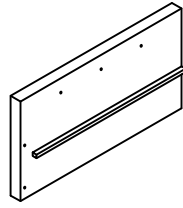
Part List

A1



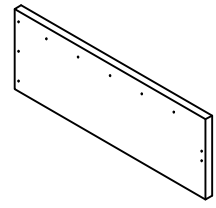
Side Rails - 1pc

A2



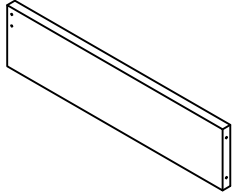
Side Rails - 1pc

B



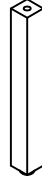
HB Frames - 1pc

C



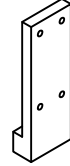
FB Frames - 1pc

E



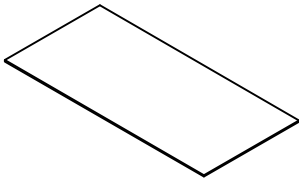
Support Leg - 3pcs

G



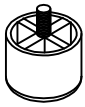

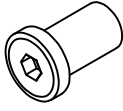
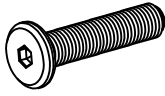
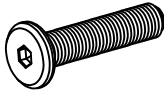


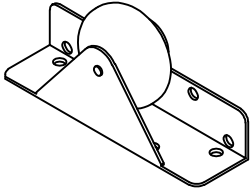

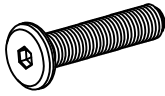
Support Leg - 1pcs

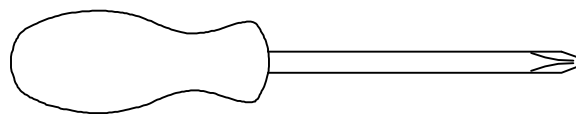
N



Drawer - Bottom panels - 2pcs

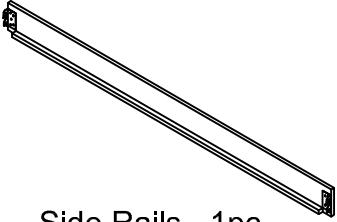
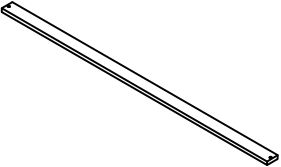
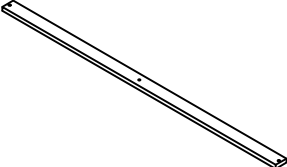
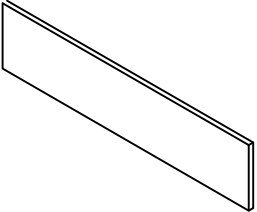
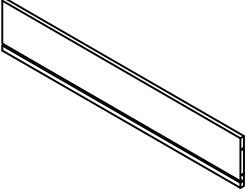
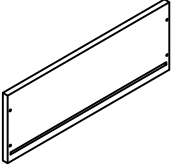
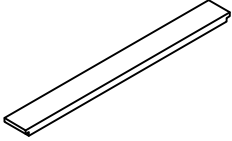
Hardware List

<p>1</p>  <p>Plastic Feet (Ø50x40) 4pcs</p>	<p>2</p>  <p>Allen Key 2pcs</p>	<p>3</p>  <p>1/4" x 15mm Sleeve Nut 5pcs</p>
<p>4</p>  <p>1/4" x 50mm Hex-Head bolts 2pcs</p>	<p>5</p>  <p>1/4" x 40mm Hex-Head bolts 5pcs</p>	<p>6</p>  <p>M4 x 30 mm Wood Screws 36pcs</p>
<p>7</p>  <p>M4 x 15 mm Wood Screws 20pcs</p>	<p>8</p>  <p>Wheels 8pcs</p>	<p>9</p>  <p>Plastic Drawer Stopped 4pcs</p>
<p>10</p>  <p>1/4" x 30mm Hex-Head bolts 11pcs</p>		

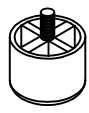


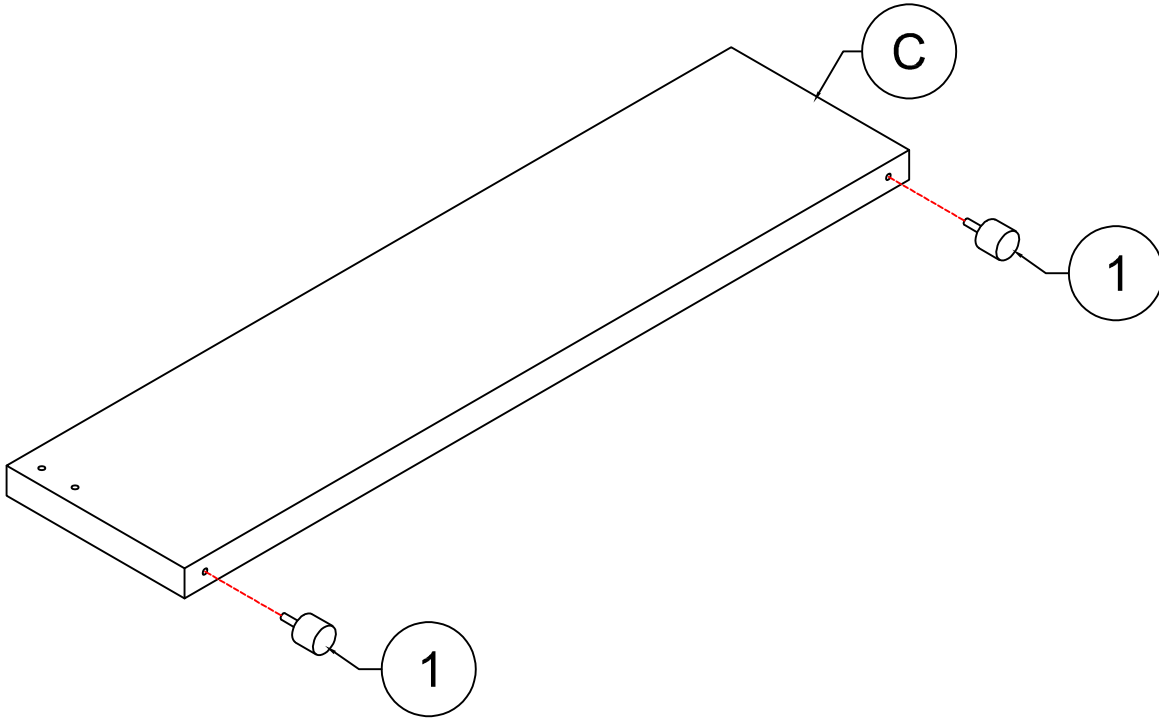
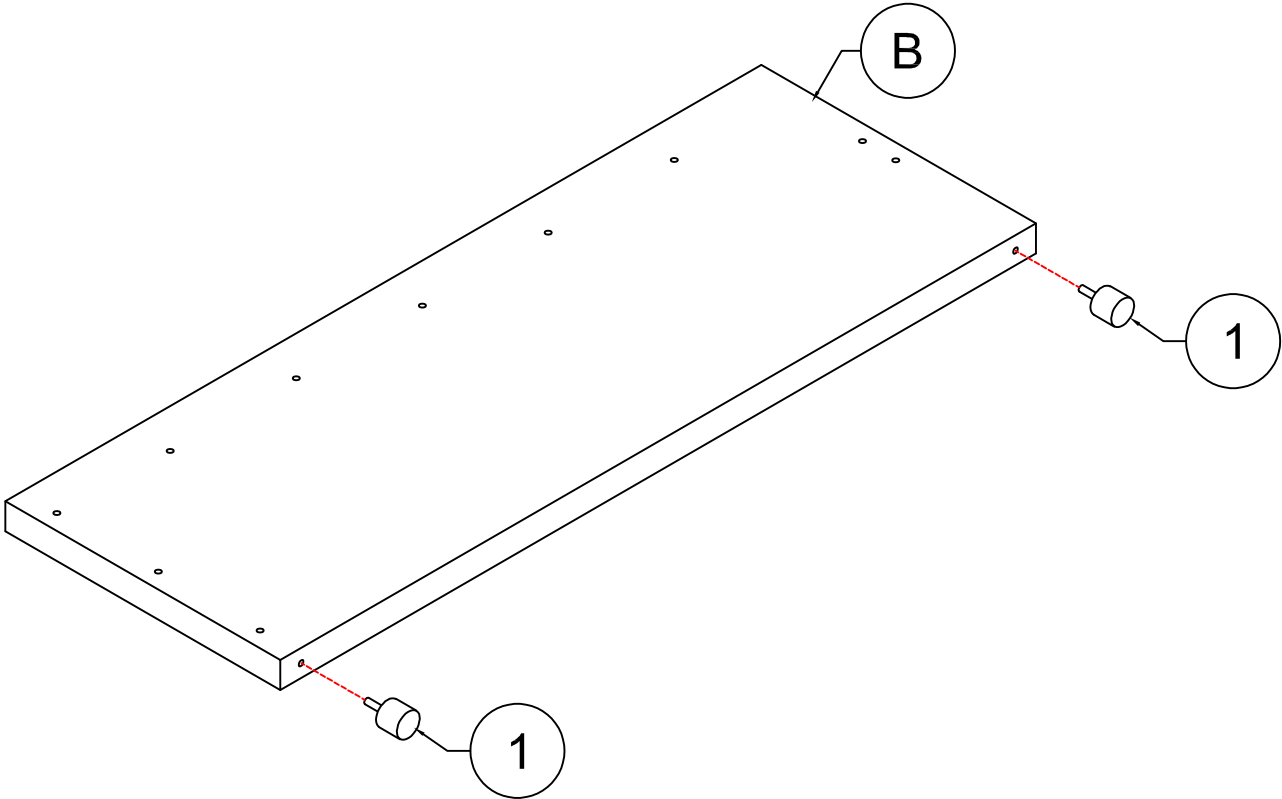
Assembly Tools Required (Not Included)

Part List

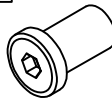
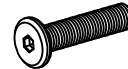

<p>D</p>  <p>Side Rails - 1pc</p>	<p>F</p>  <p>Slats - 7pcs</p>	<p>F1</p>  <p>Slats - 3pcs</p>
<p>H</p>  <p>Drawer - Front panels - 2pcs</p>	<p>K</p>  <p>Drawer - Back panels - 2pcs</p>	<p>M</p>  <p>Drawer - Side panels - 4pcs</p>
<p>O</p>  <p>Drawer - Bar support - 2pcs</p>		

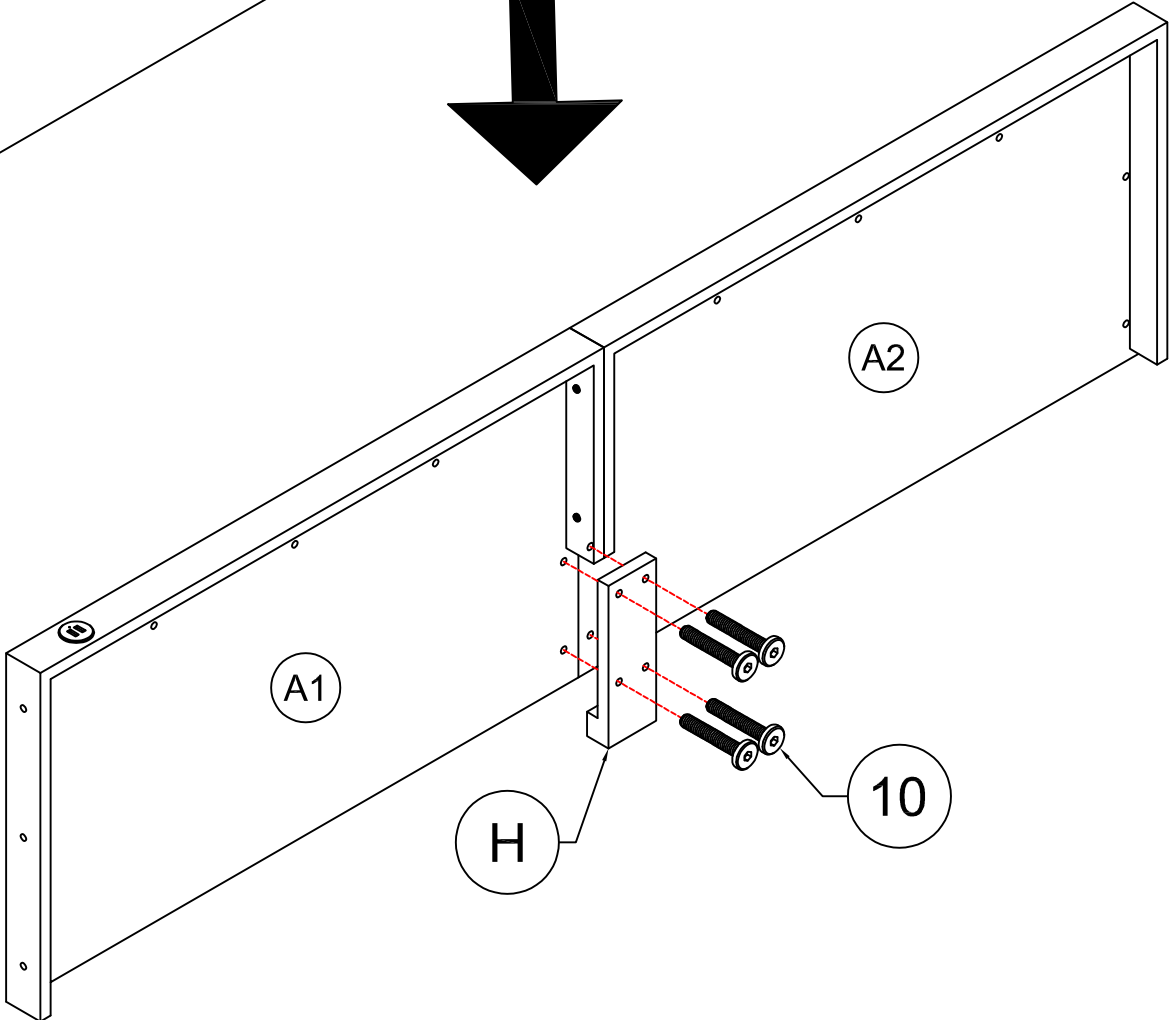
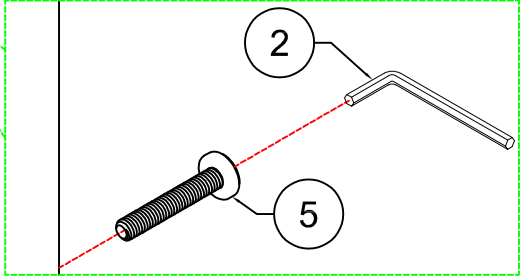
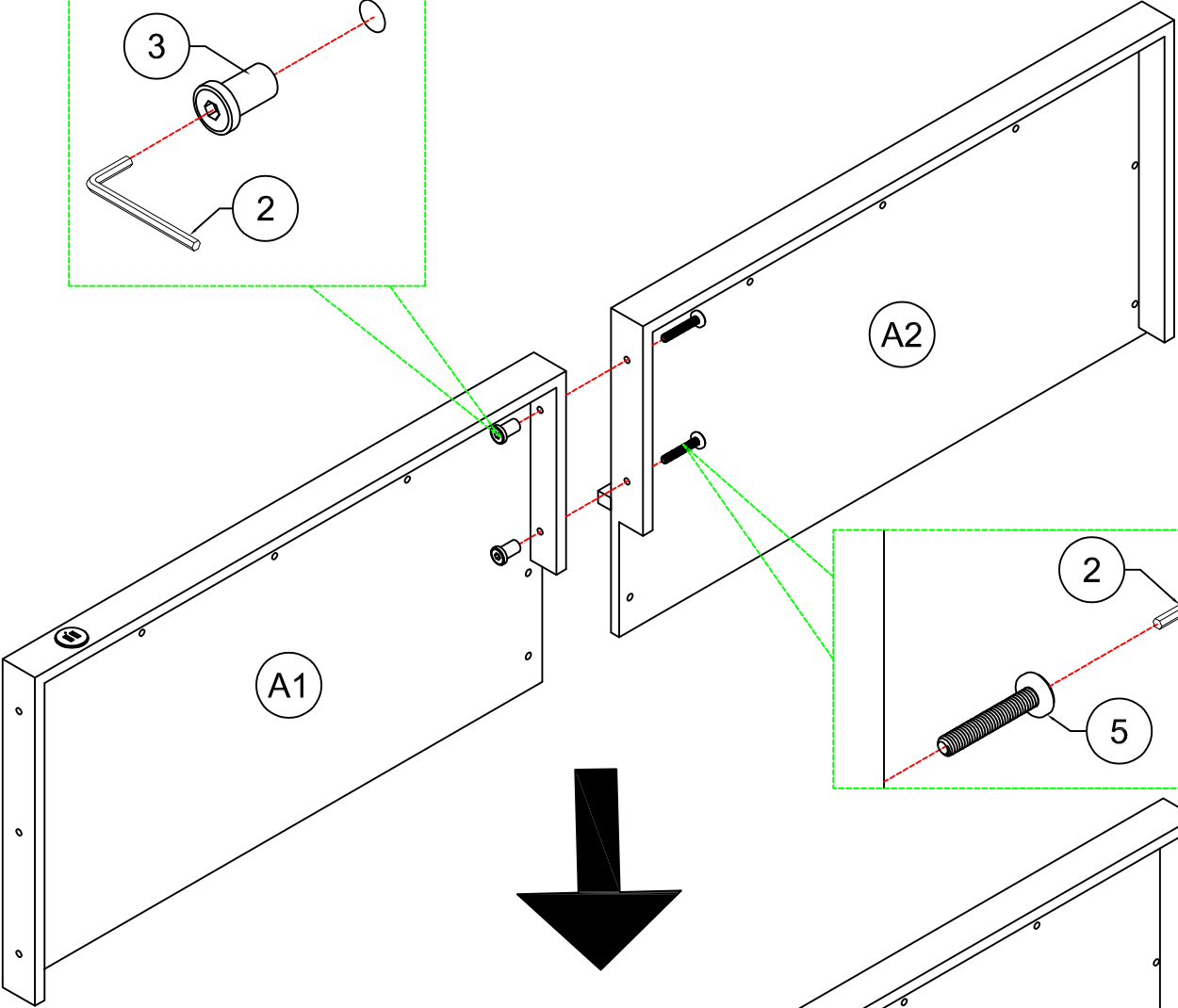
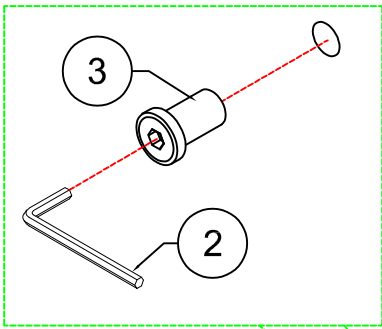
STEP 1: Following below illustration:

1	
4pcs	

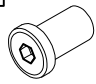




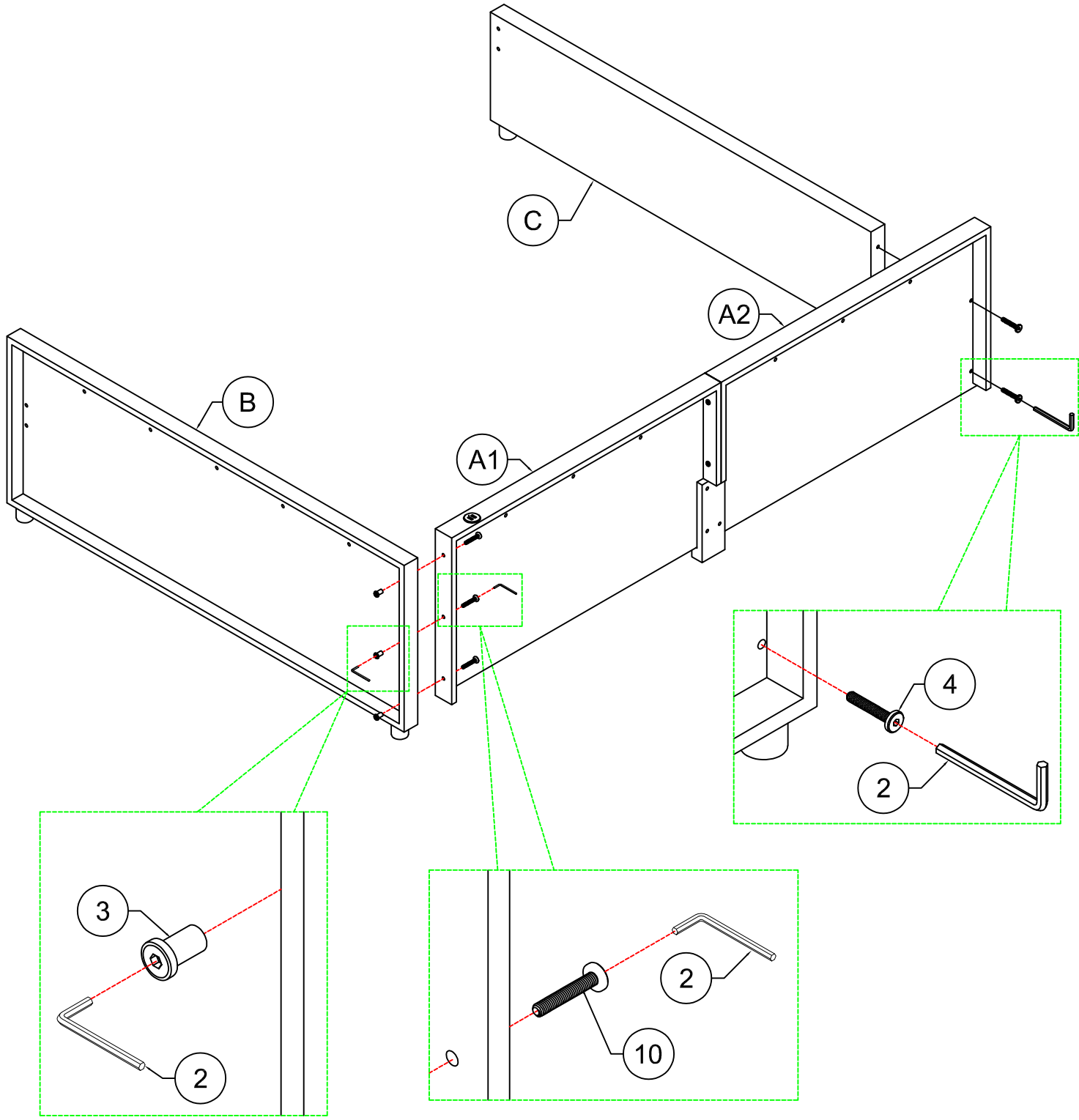
STEP 2: Following below illustration:

3	5	10
		
2pcs	2pcs	4pcs


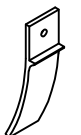


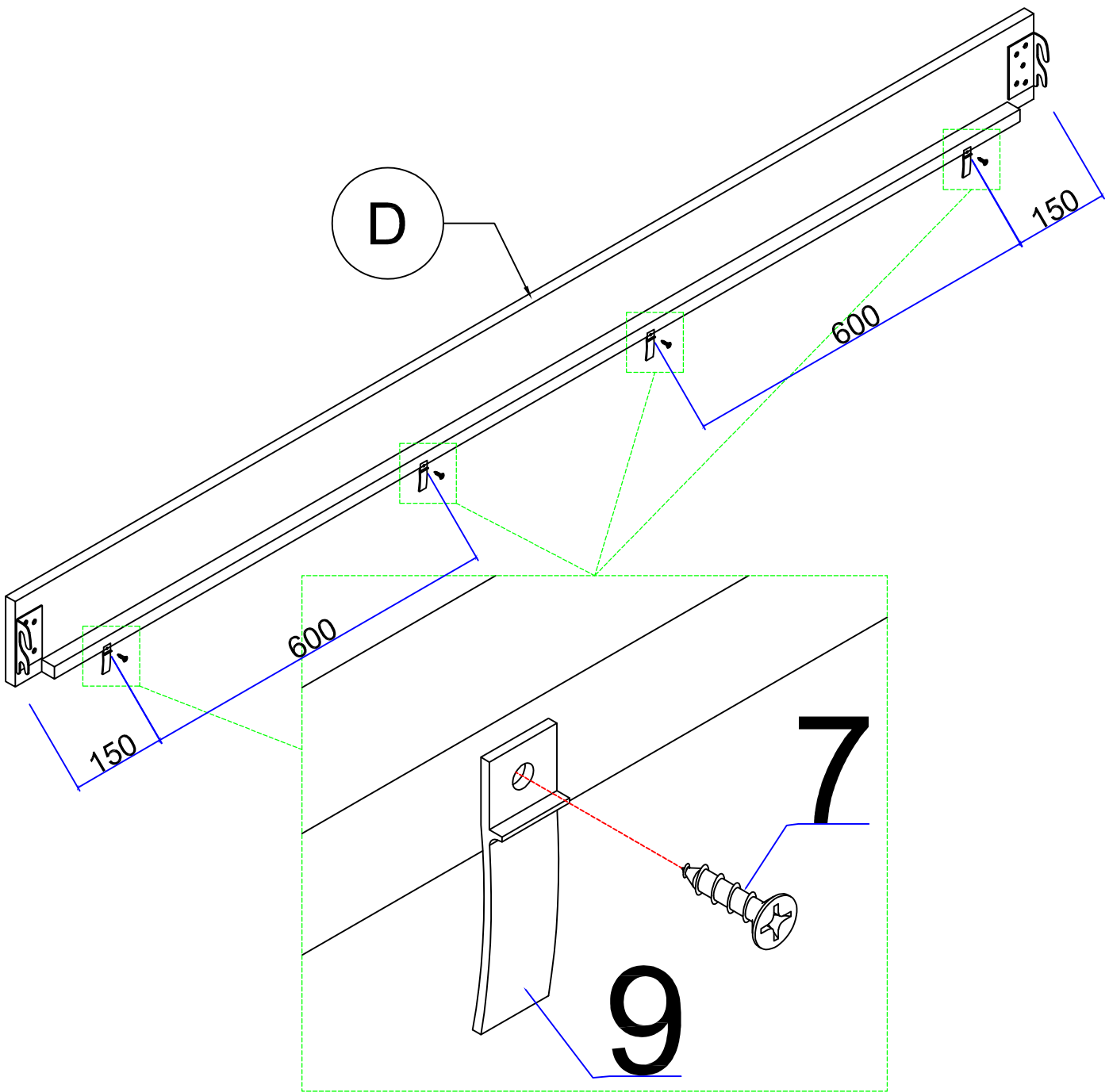
STEP 3: Following below illustration:

3	4	10
		
3pcs	2pcs	3pcs



STEP 4: Following below illustration:

7		9	
4pcs		4pcs	

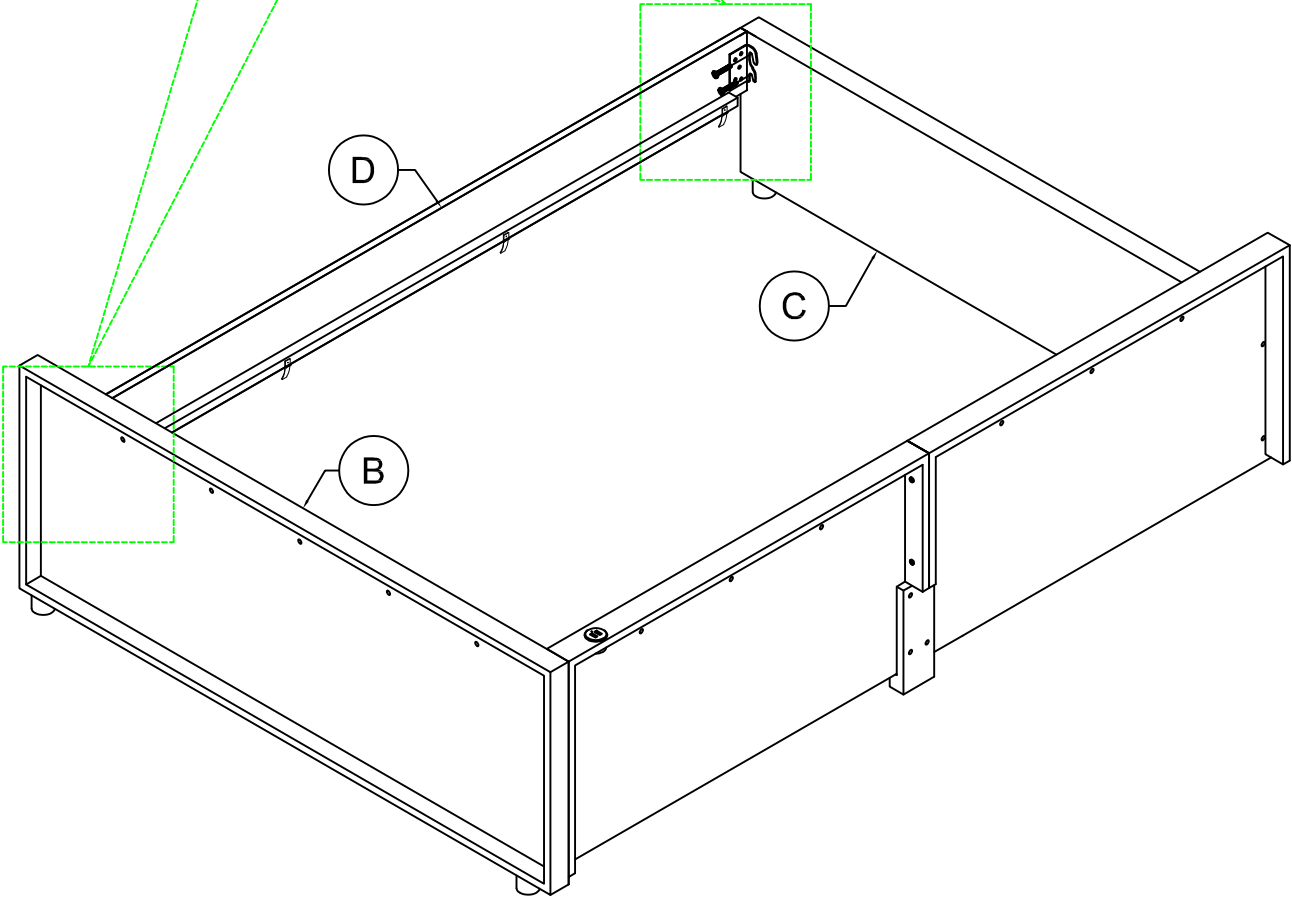
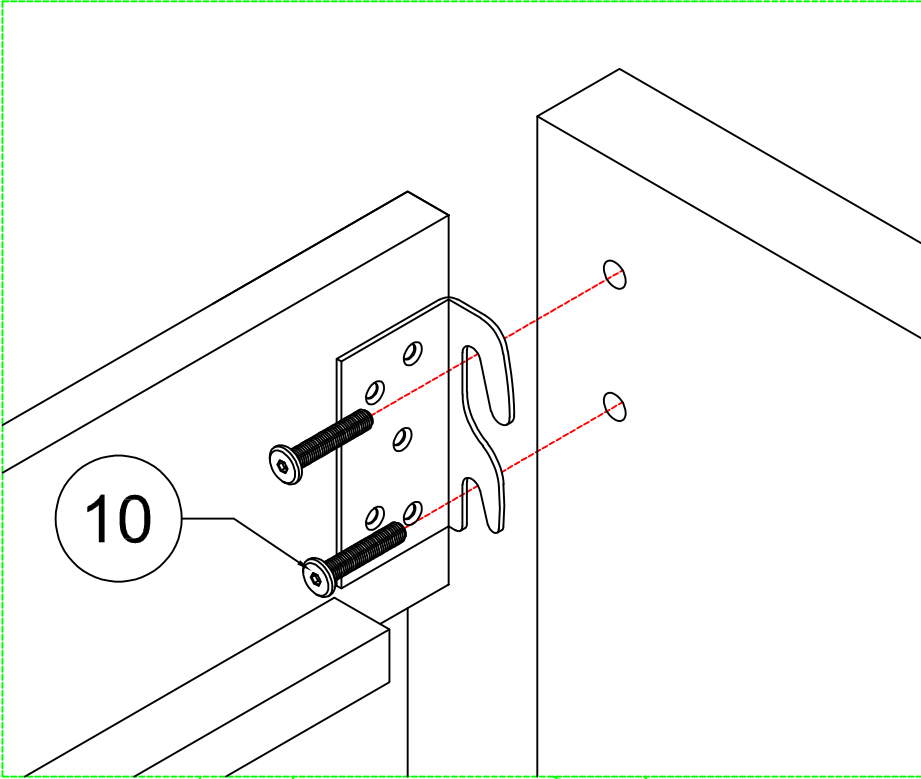


STEP 5: Following below illustration:


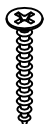
10

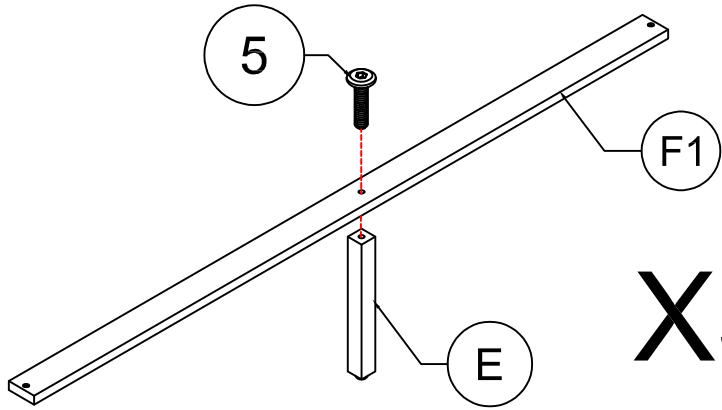


4pcs

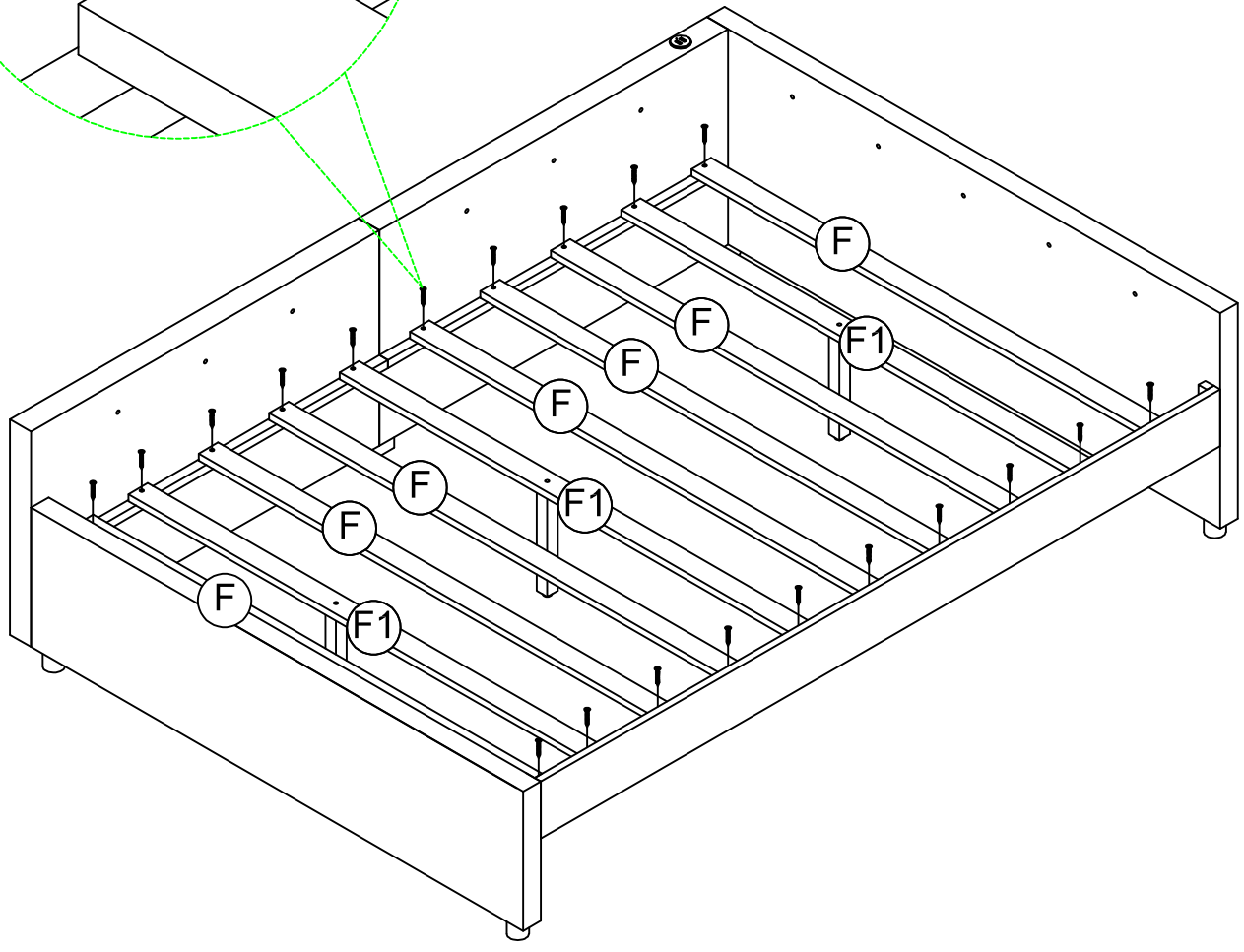
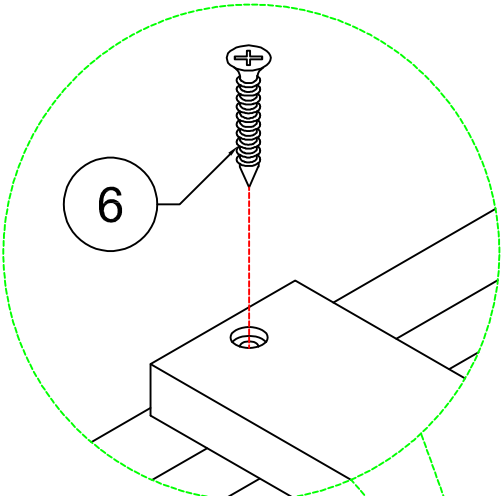


STEP 6: Following below illustration:

5	6
	
3pcs	20pcs



X3

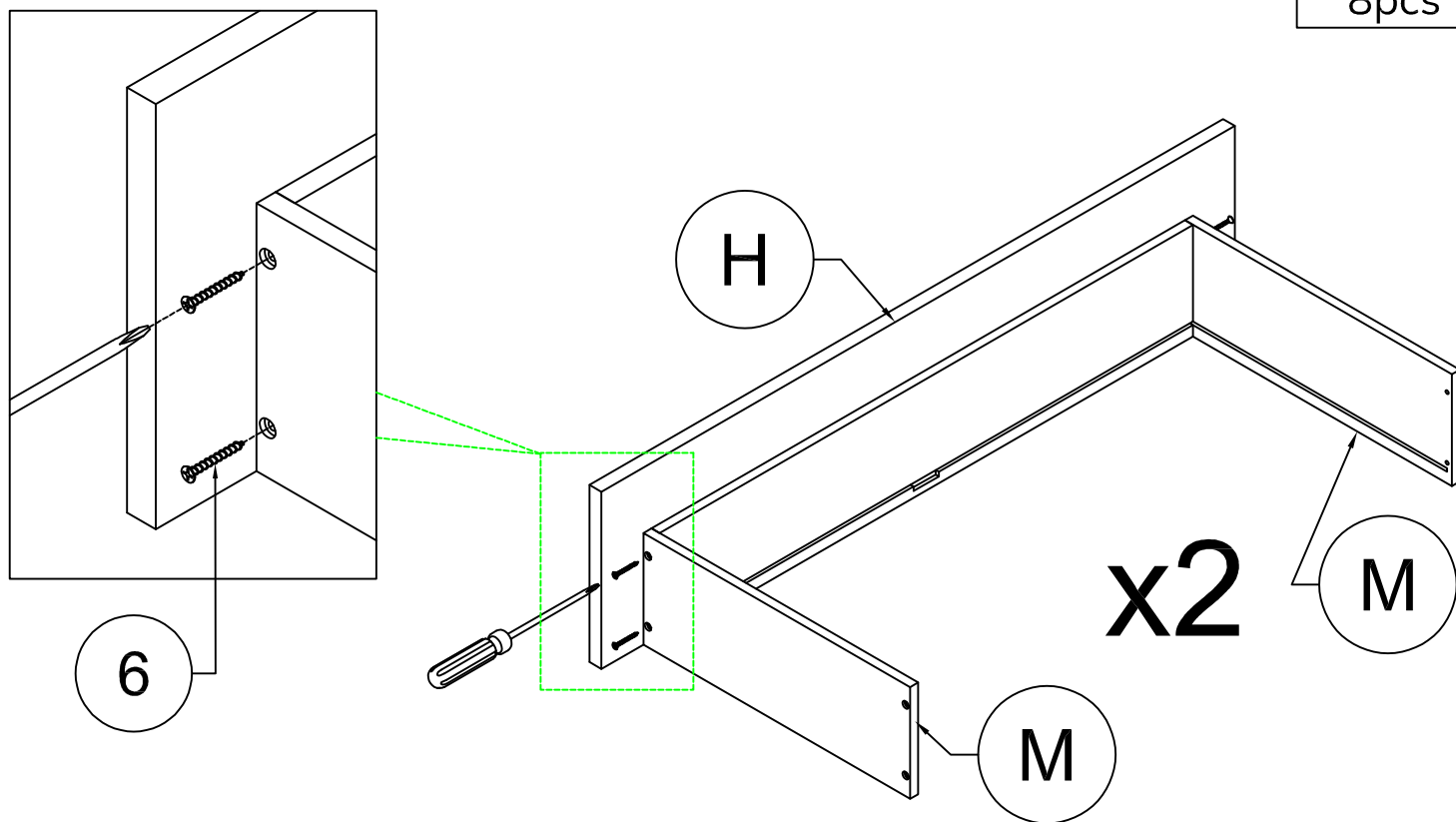


STEP 7: Following below illustration:

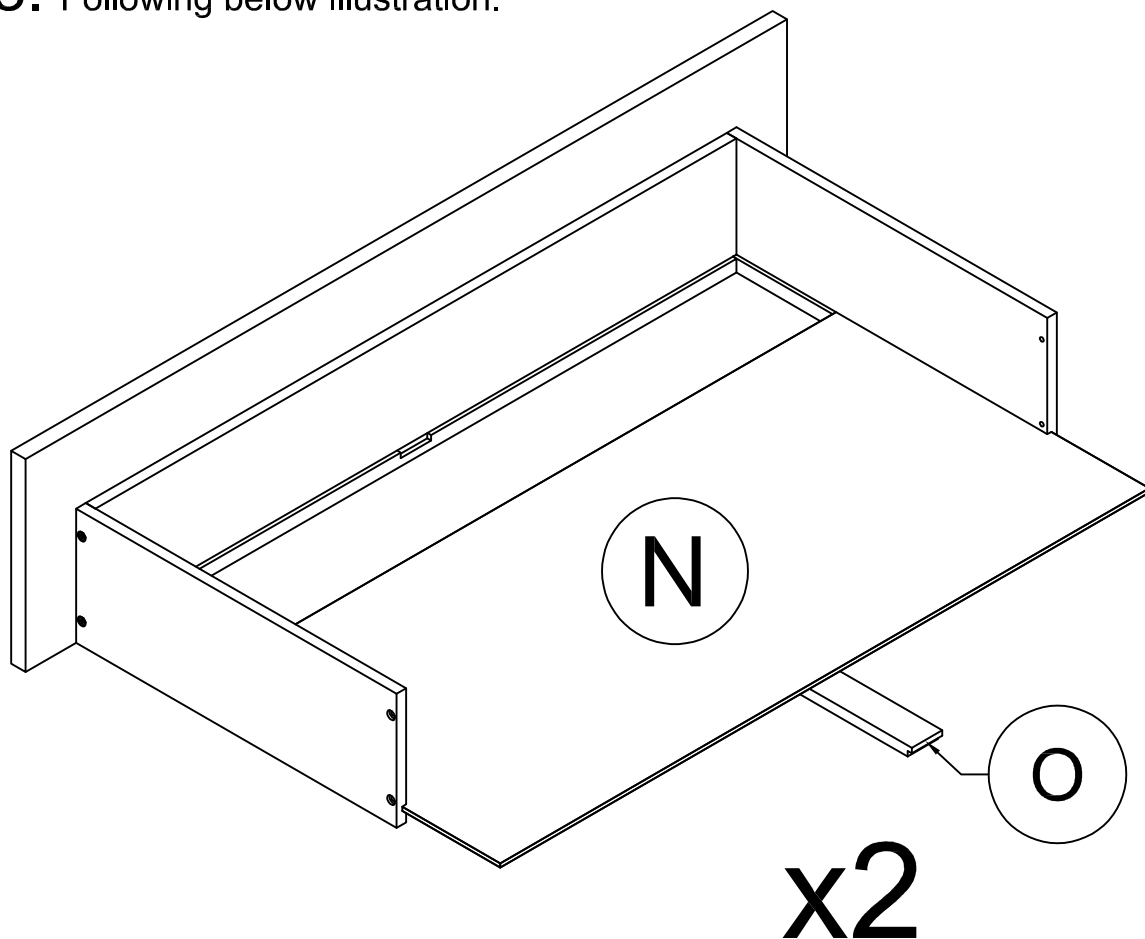
6



8pcs

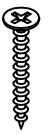


STEP 8: Following below illustration:



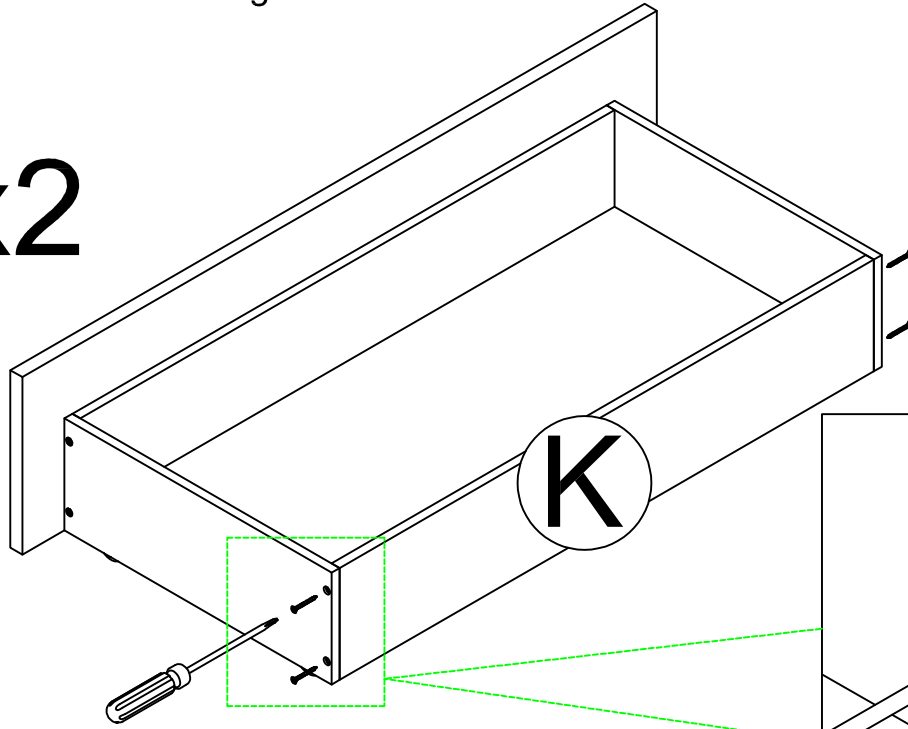
STEP 9: Following below illustration:

6

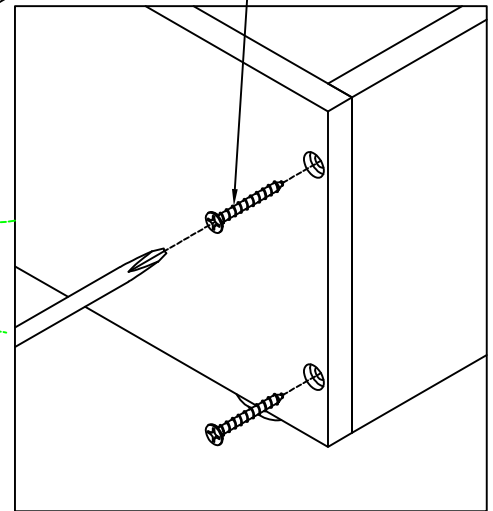


8pcs

x2

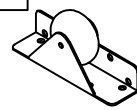


6



STEP 10: Following below illustration:

8

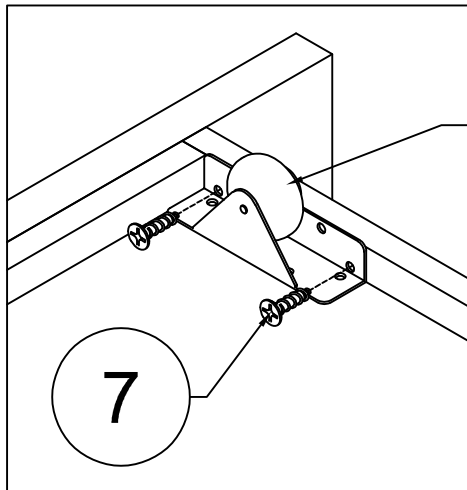


8pcs

7



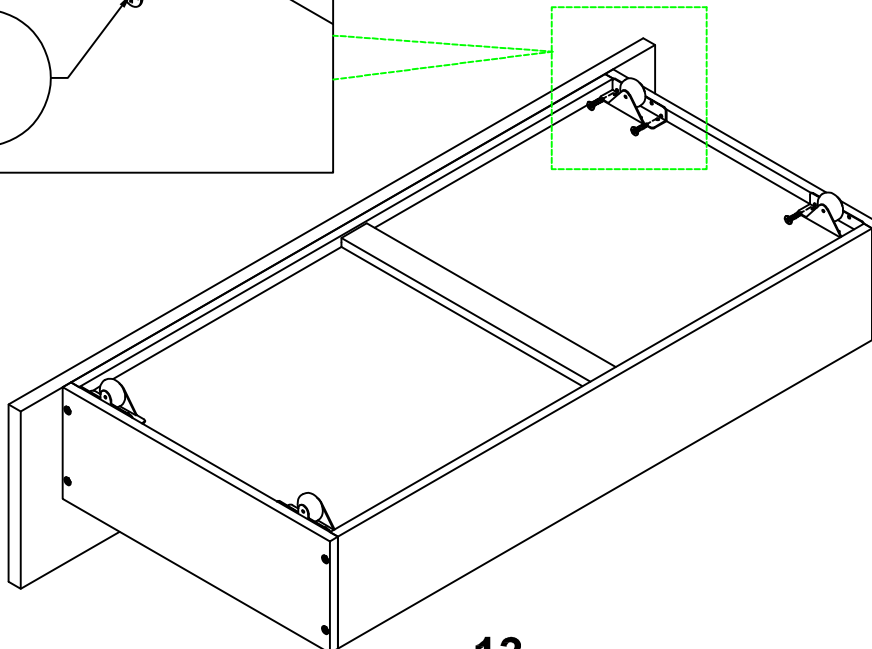
16pcs



8

7

x2



13

FINISH

