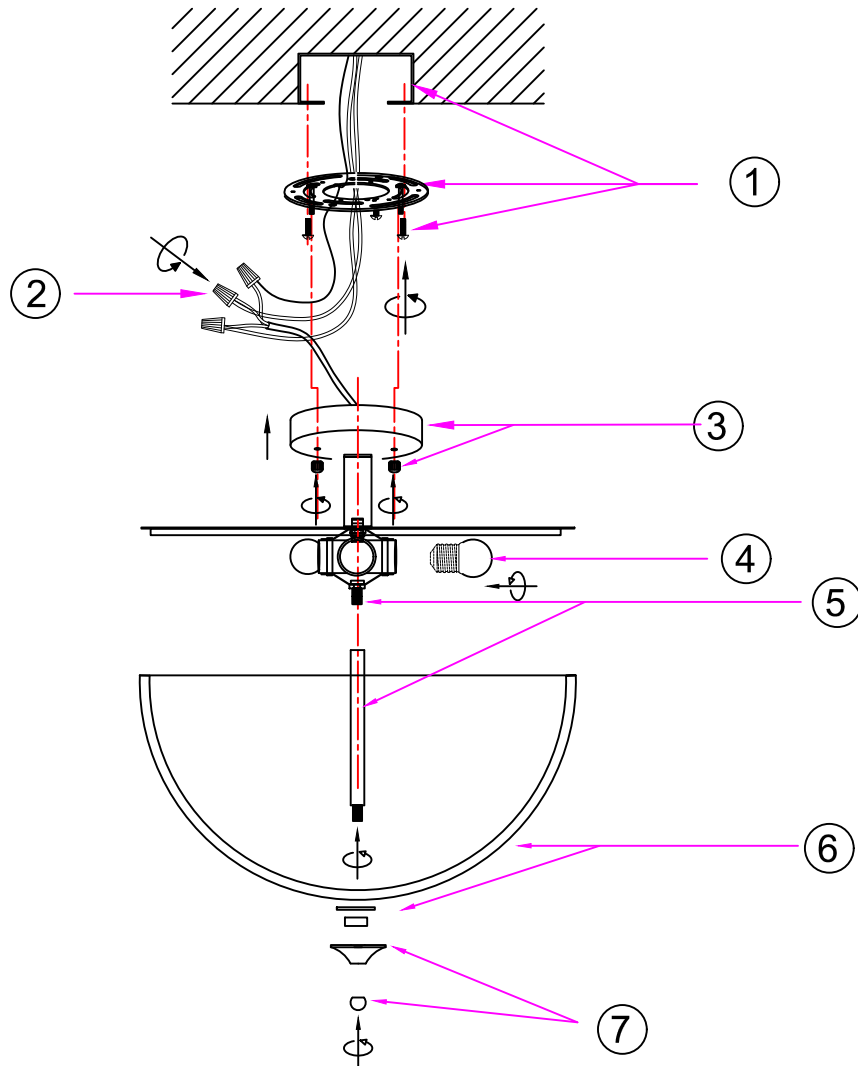


ASSEMBLY AND INSTALLATION INSTRUCTIONS

WARNING: TO AVOID RISK OF ELECTRICAL SHOCK, BE SURE TO SHUT OFF POWER BEFORE INSTALLING OR SERVICING THIS FIXTURE.



Before You Begin:

- Ensure power is turned off at the circuit breaker before installation.
- Read all instructions carefully.
- Installation should be performed by a qualified electrician if you are unfamiliar with wiring.

Step-by-Step Installation:

1. Secure the mounting plate to the ceiling junction box using the provided screws.
 2. Wiring Connections
 - Use wire connectors to connect the black (hot) wire to the black wire, the white (neutral) wire to the white wire, and the ground wire to the grounding terminal.
 - Ensure no exposed conductors remain outside wire connectors or outside the junction box.
 3. Position the fixture canopy over the mounting plate and secure it using the decorative nuts.
 4. Install light bulbs to the sockets (bulbs not included).
 5. Attach the metal connecting tube to the fixture body.
 6. Secure the glass shade and the metal plate to the fixture body using the provided nuts.
 7. Assemble the metal cap and the ball finial to the fixture body.
 8. Restore power and test the fixture for proper operation.
- Installation Complete.

Safety Instructions:

To avoid fire, shock, and serious personal injury, follow all instructions carefully.

1. Do not install or use the light fixture if any part is missing or damaged.
2. To avoid possible electrical shock, be sure electricity is turned off at the main fuse or circuit breaker box before wiring.
3. Make certain no bare wires are exposed outside the wire connectors.
4. All wiring must conform to national and local electrical codes.
5. Follow the recommended instructions for the proper method of wiring your new light fixture. If you feel you do not have enough electrical wiring knowledge or experience, have your light fixture installed by a licensed electrician. Any electrical work not described in this manual should be performed by a licensed electrician.