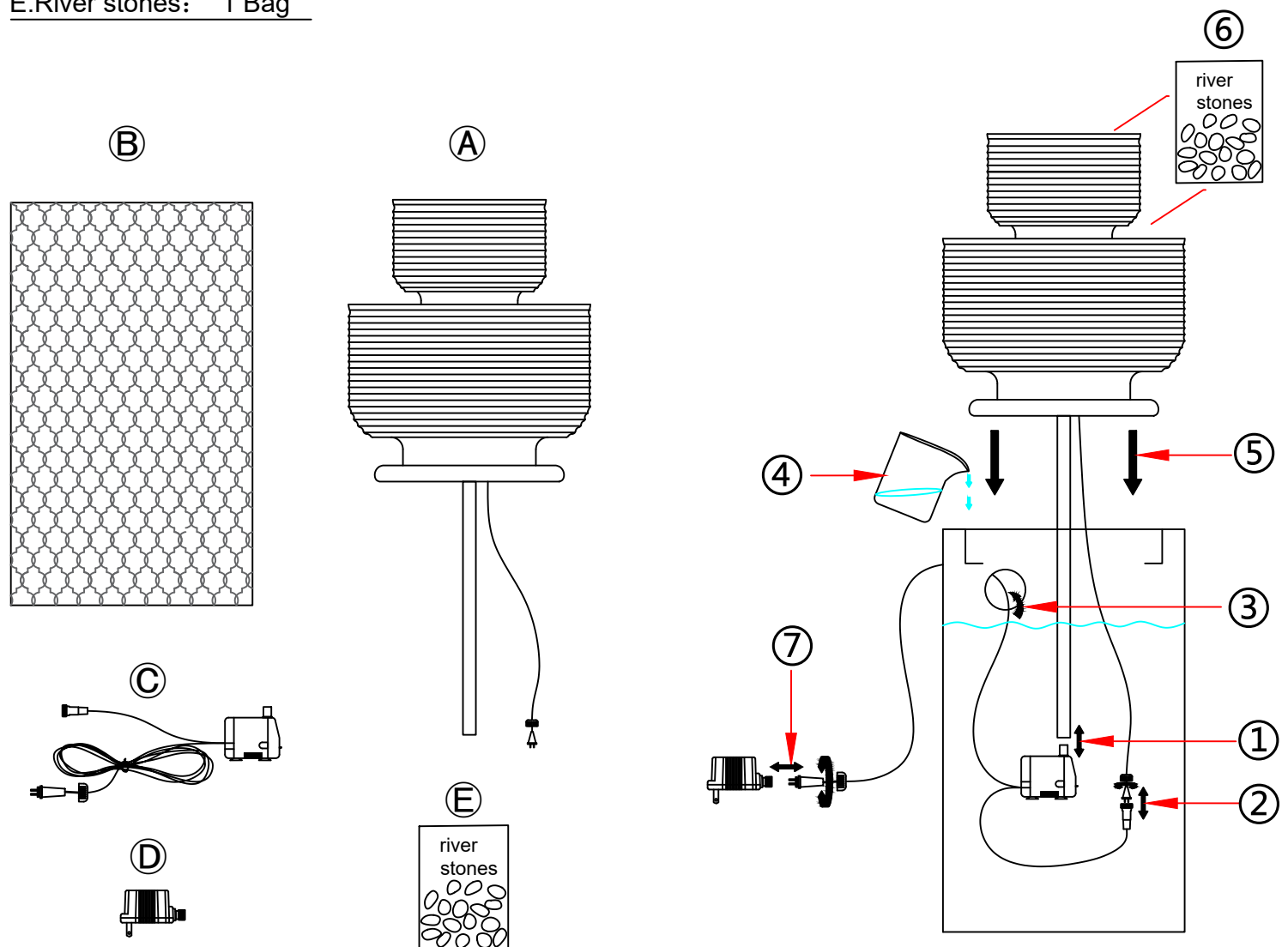


AXOSO®

LS23017 Assembly Instruction

Parts List

- A. Top fountain: 1 piece
- B. Fountain base: 1 piece
- C. Pump: 1 piece
- D. Adaptor: 1 piece
- E. River stones: 1 Bag



1. Connect the hose on the top fountain to the outlet of the pump.
2. Connect the male plug of LED light on the top fountain with the female plug of the pump, then tighten.
3. Pull-out the pump cord through the hole on the top wall of the fountain base.
4. Pour clean water into fountain base, make sure the water level is not exceed the Max fill line.
5. Put the top fountain on the 4 blades which on the corners of fountain base.
6. Place river stone onto the fountain top and the groove of mid-level.
7. Connect the male plug of pump with the female plug of the adaptor, then tighten.

Remark: Pls pour out the water of basin and clean it if don't use it.