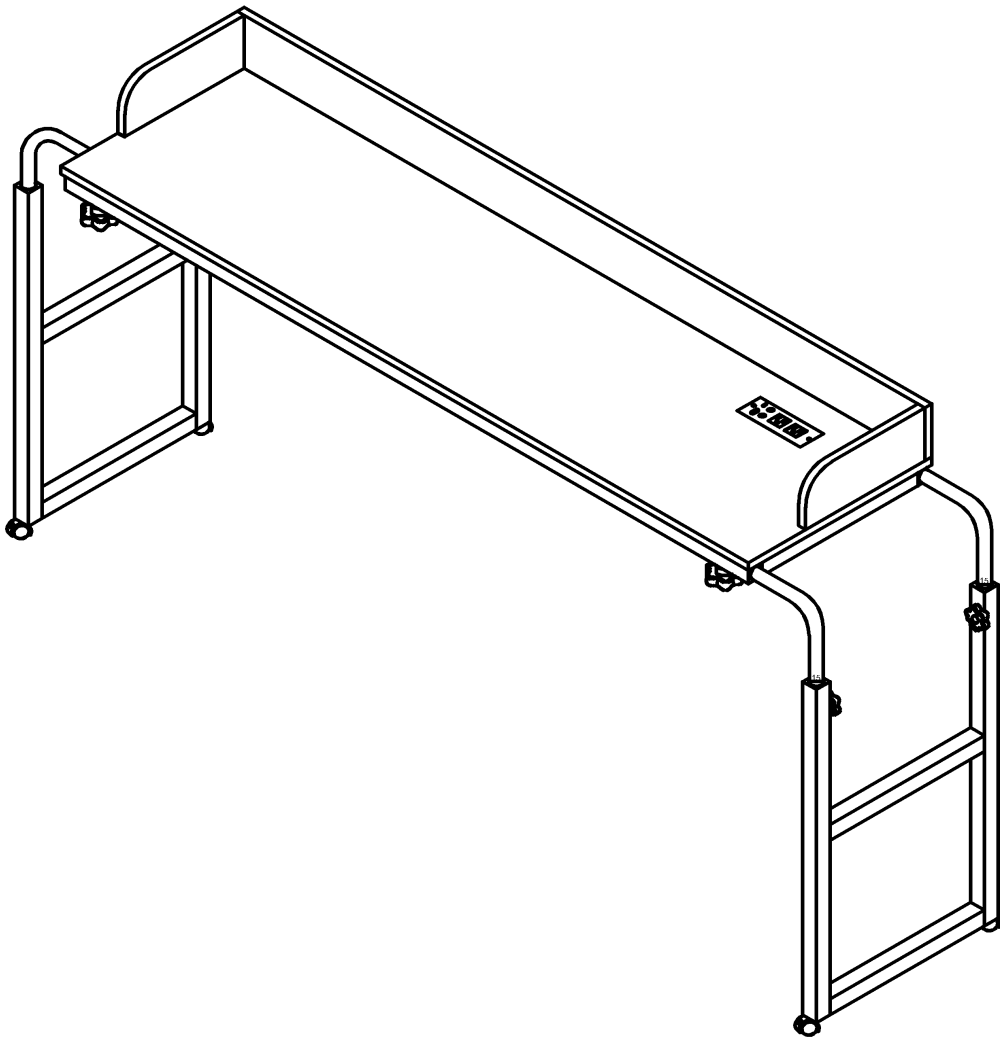
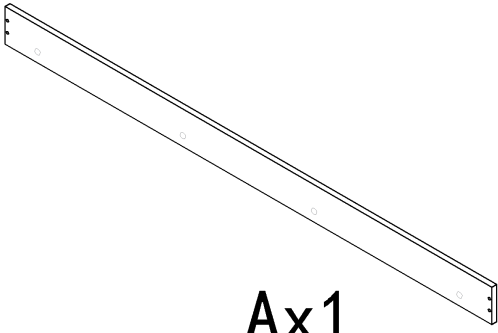
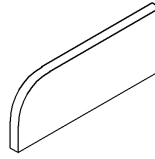


Product Installation Instructions

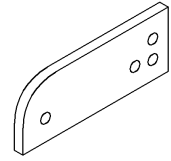




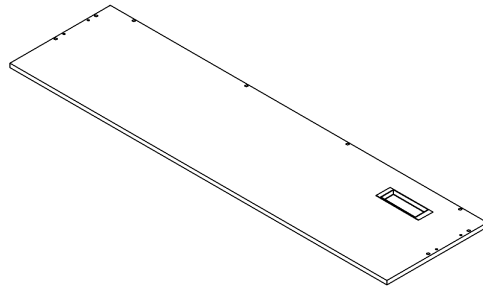
Ax1



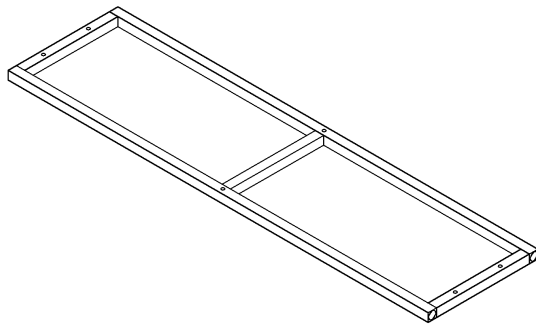
Bx1



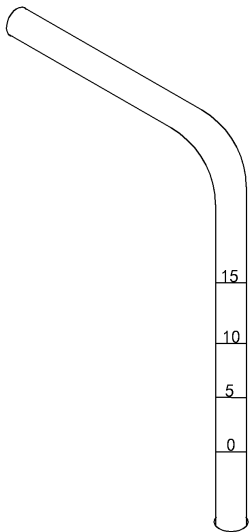
Cx1



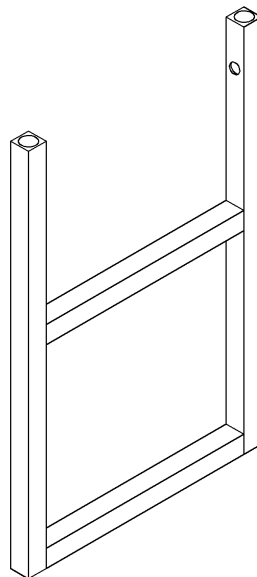
Dx1



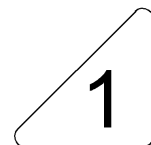
x1



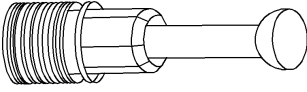
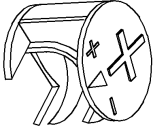

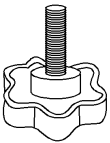
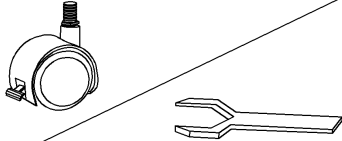
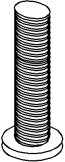
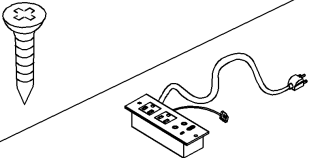
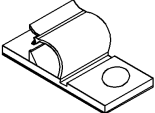
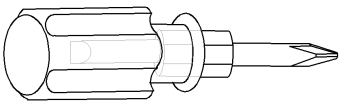
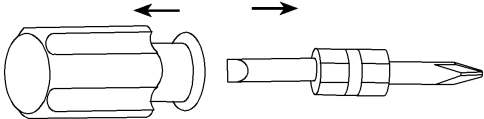
x4



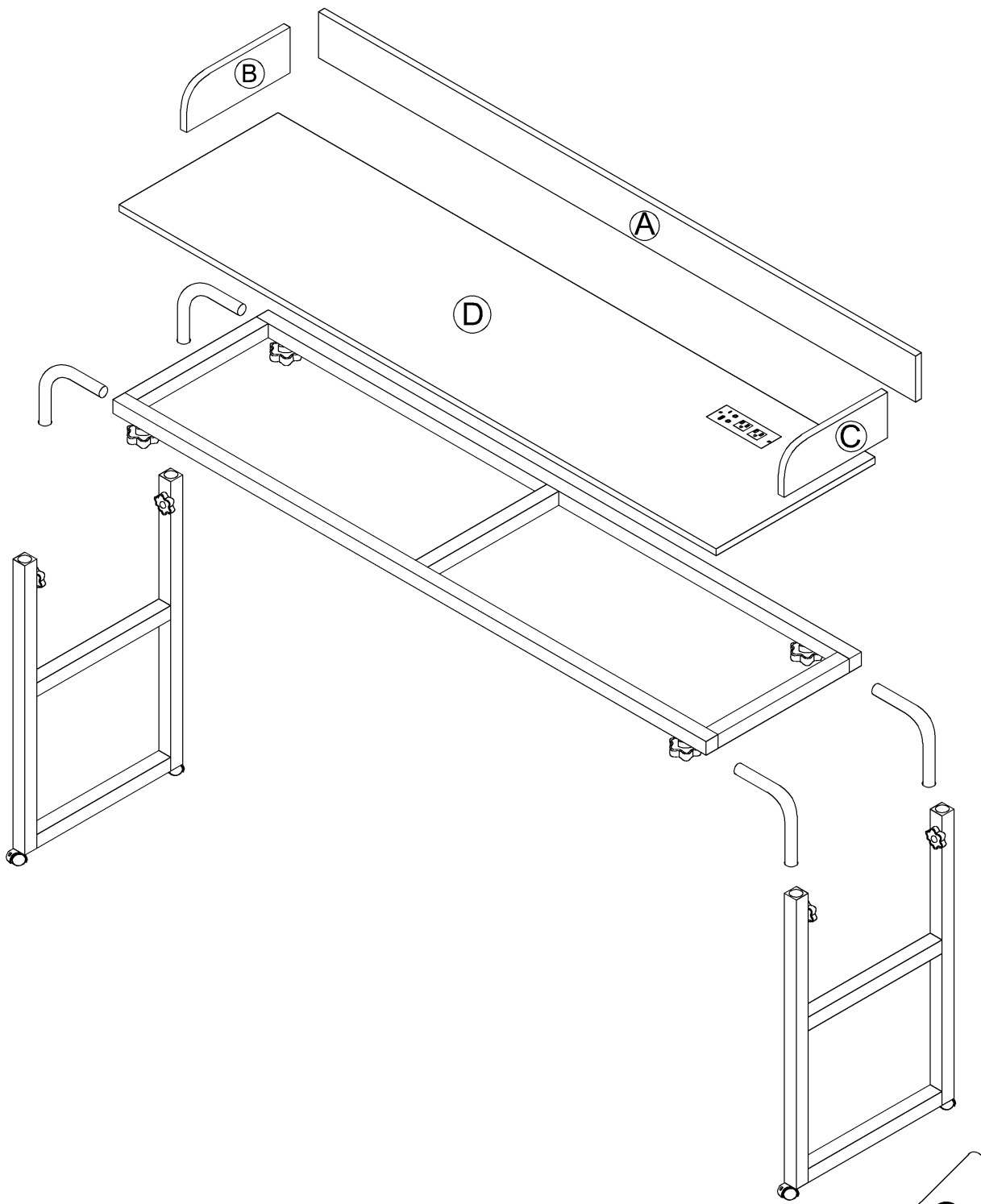
x2



1

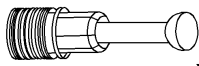
①		Three-in-one Rod (10x38mm)	12pcs +2pcs
②		Eccentric Wheel (12x15mm)	12pcs +2pcs
③		Wood Chipping (8x30mm)	4pcs +2pcs
④		Adjusting Screw	8pcs
⑤		Casters & Tool	4pcs 1pcs
⑥		Screw (6x40mm)	6pcs
⑦		Power Socket & Screw (3x10mm)	2pcs +1pcs 1pcs
⑧		Wire Clamp	1pcs +1pcs
  <p>1pcs Double-head screwdriver, use as required 2</p>			

Product structure decomposition



3

1



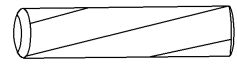
x12

2

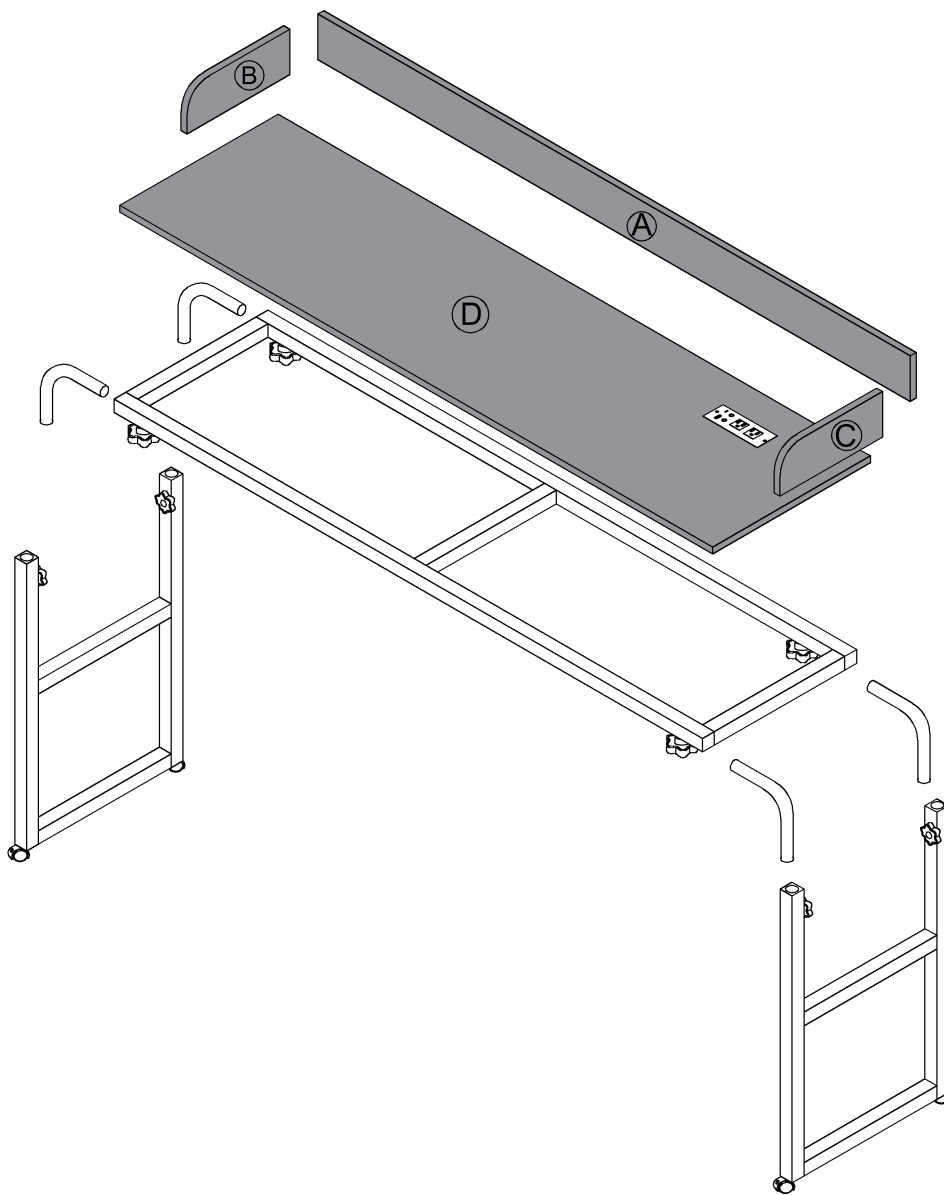


x12

3



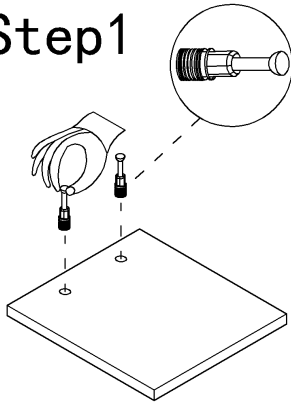
x4



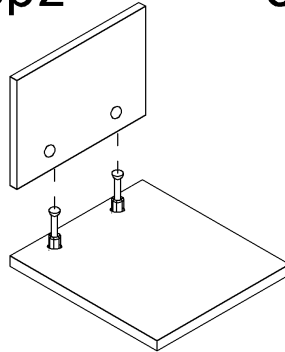
4

Use parts ① and ②

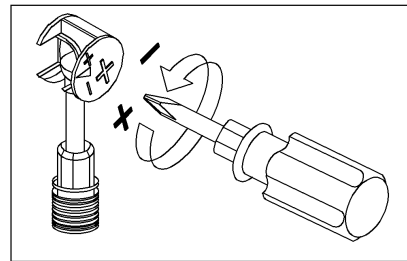
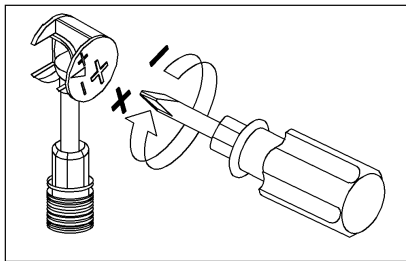
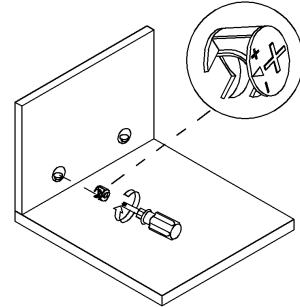
Step1



Step2



Step3



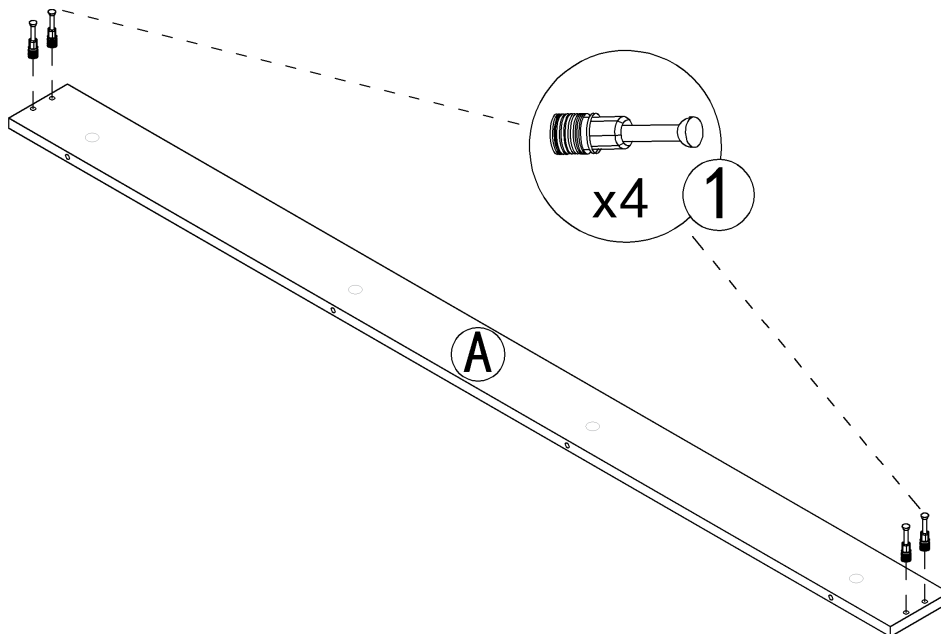
Use a screwdriver to lock in the direction of the "+" sign

Disassemble along the direction of "-" sign

Step 1

①

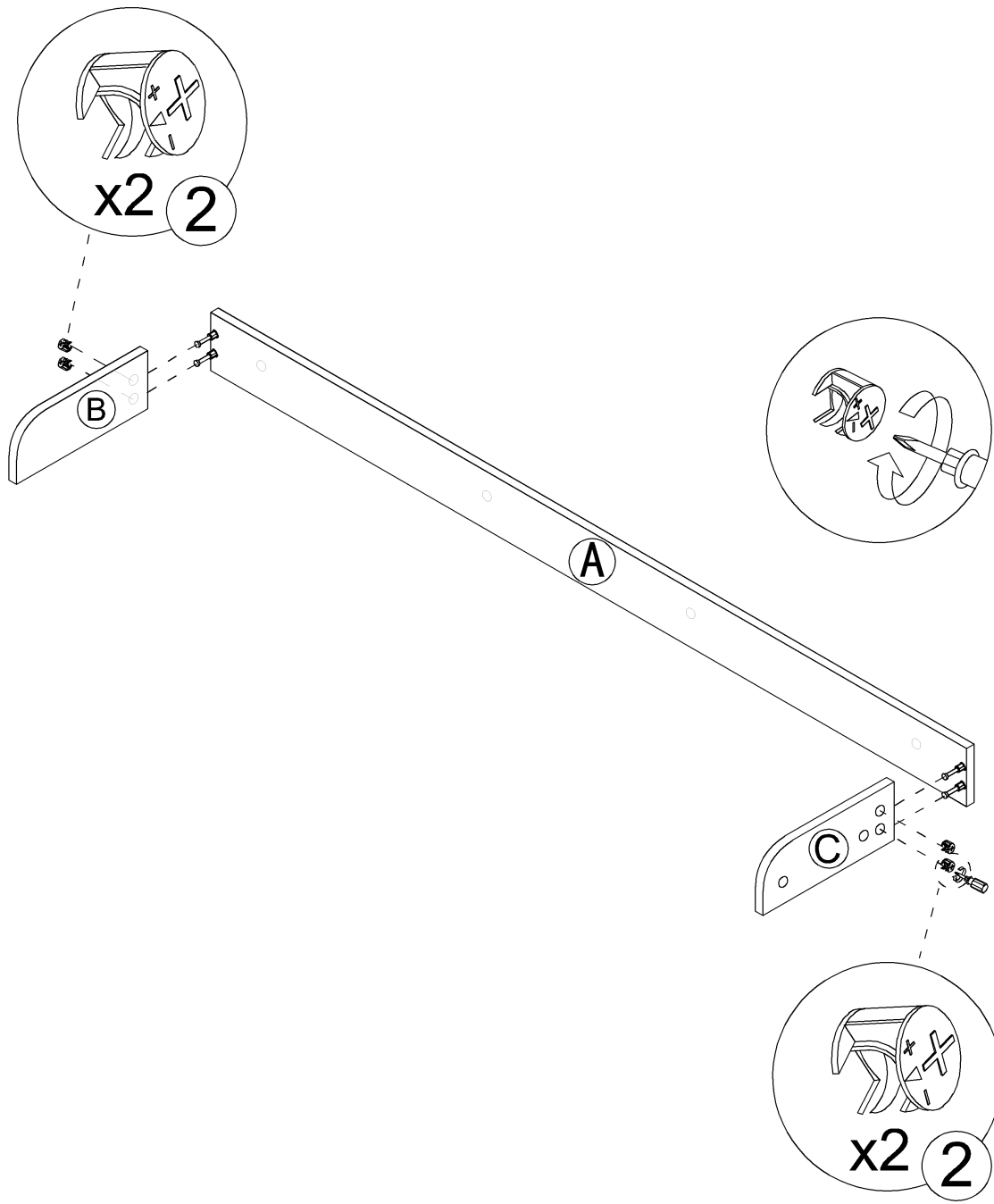
x4



5

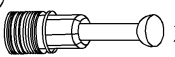
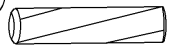
Step 2

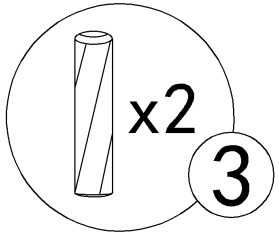
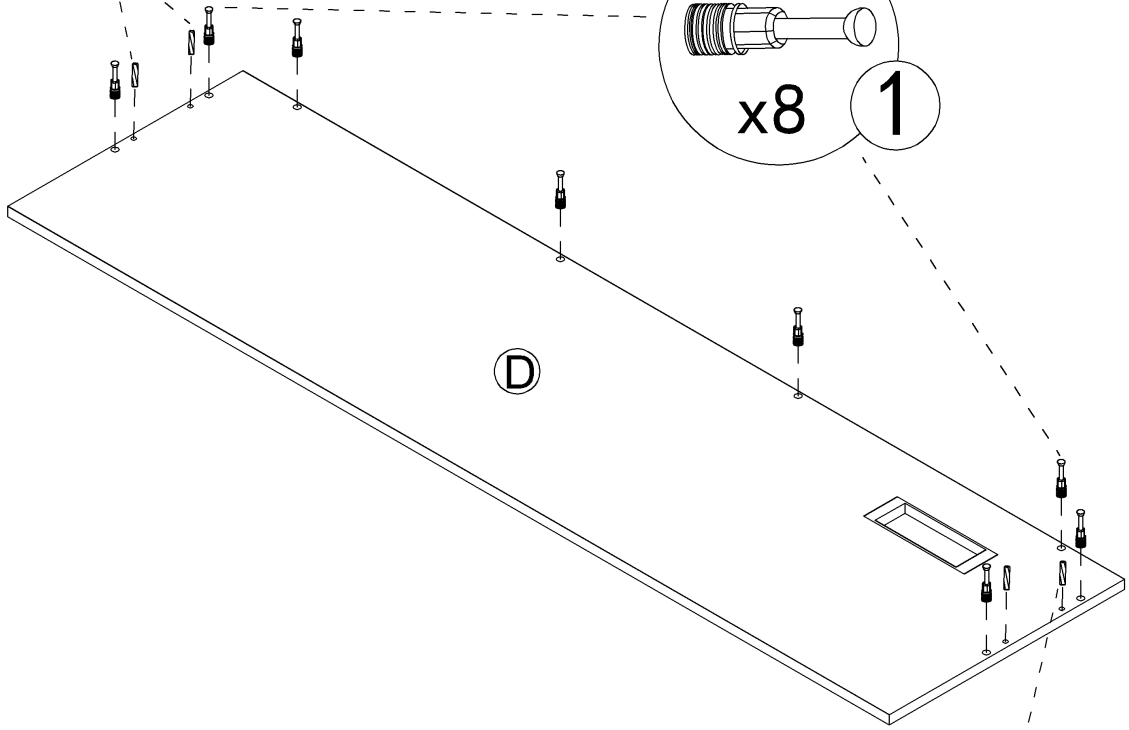
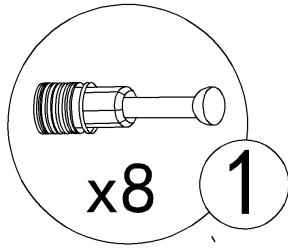
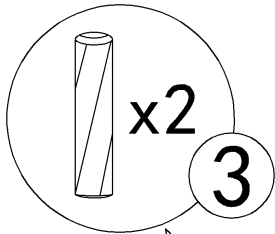
2  x4



6

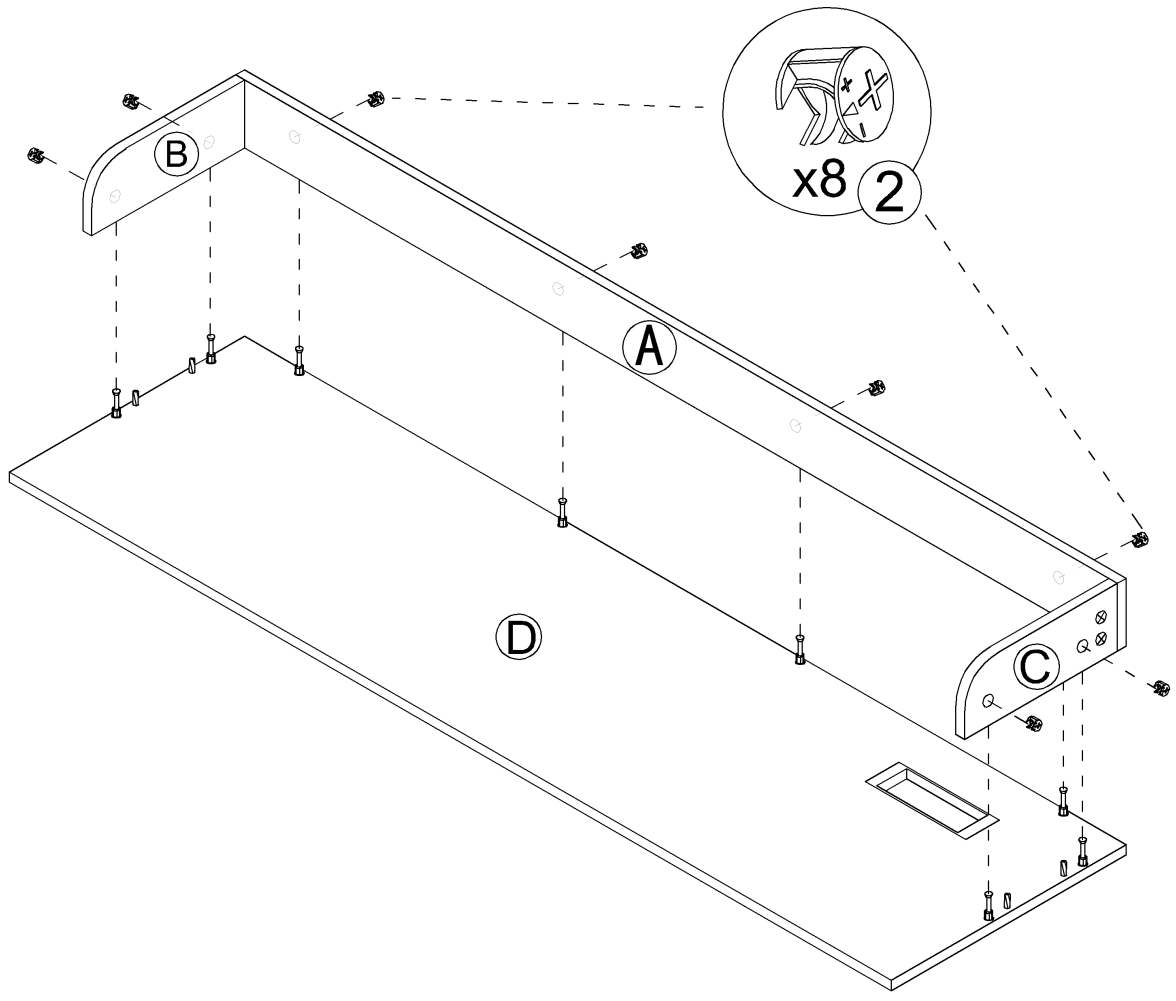
Step 3

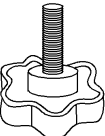



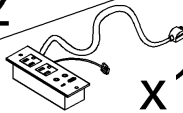
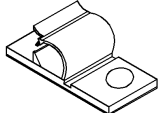
- ①  x8
- ③  x4

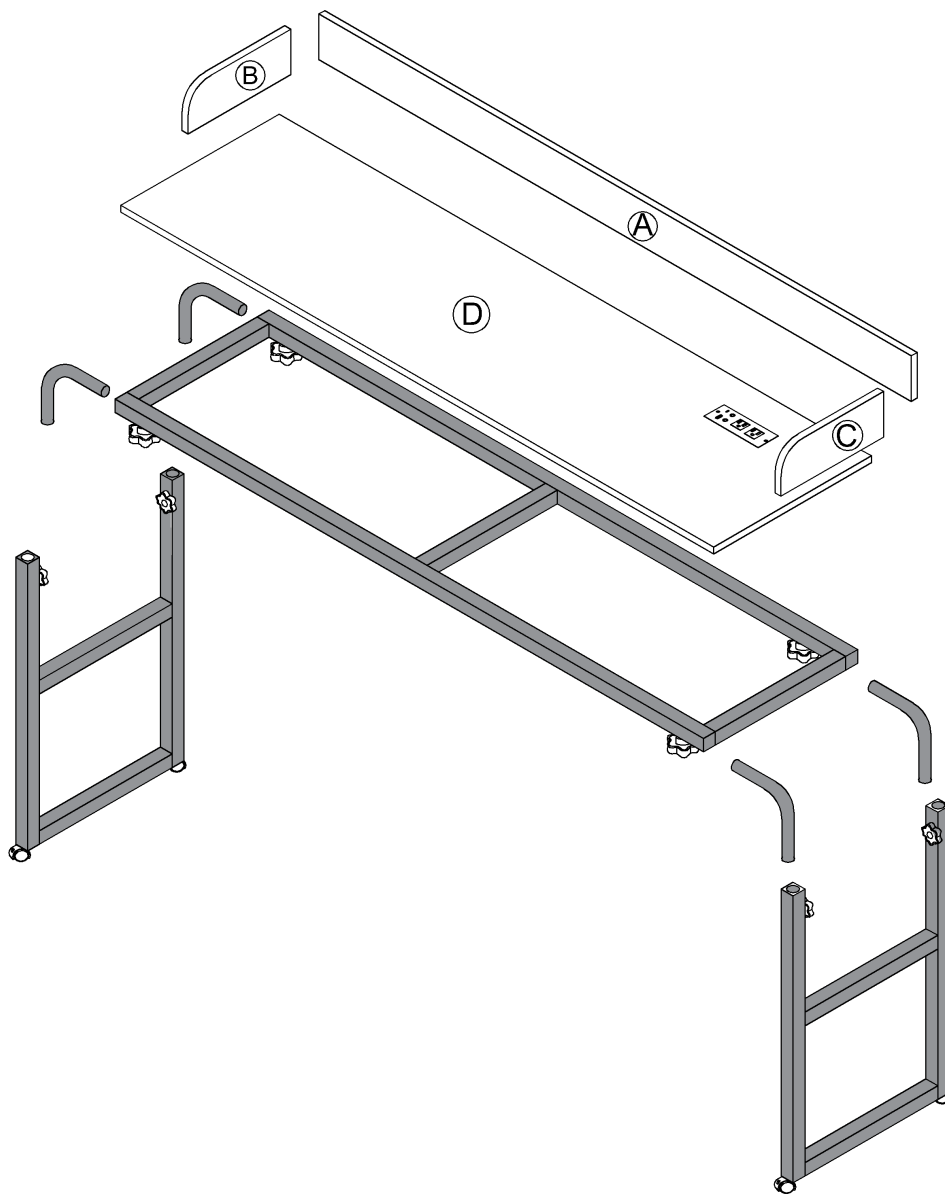


Step 4

2  x8

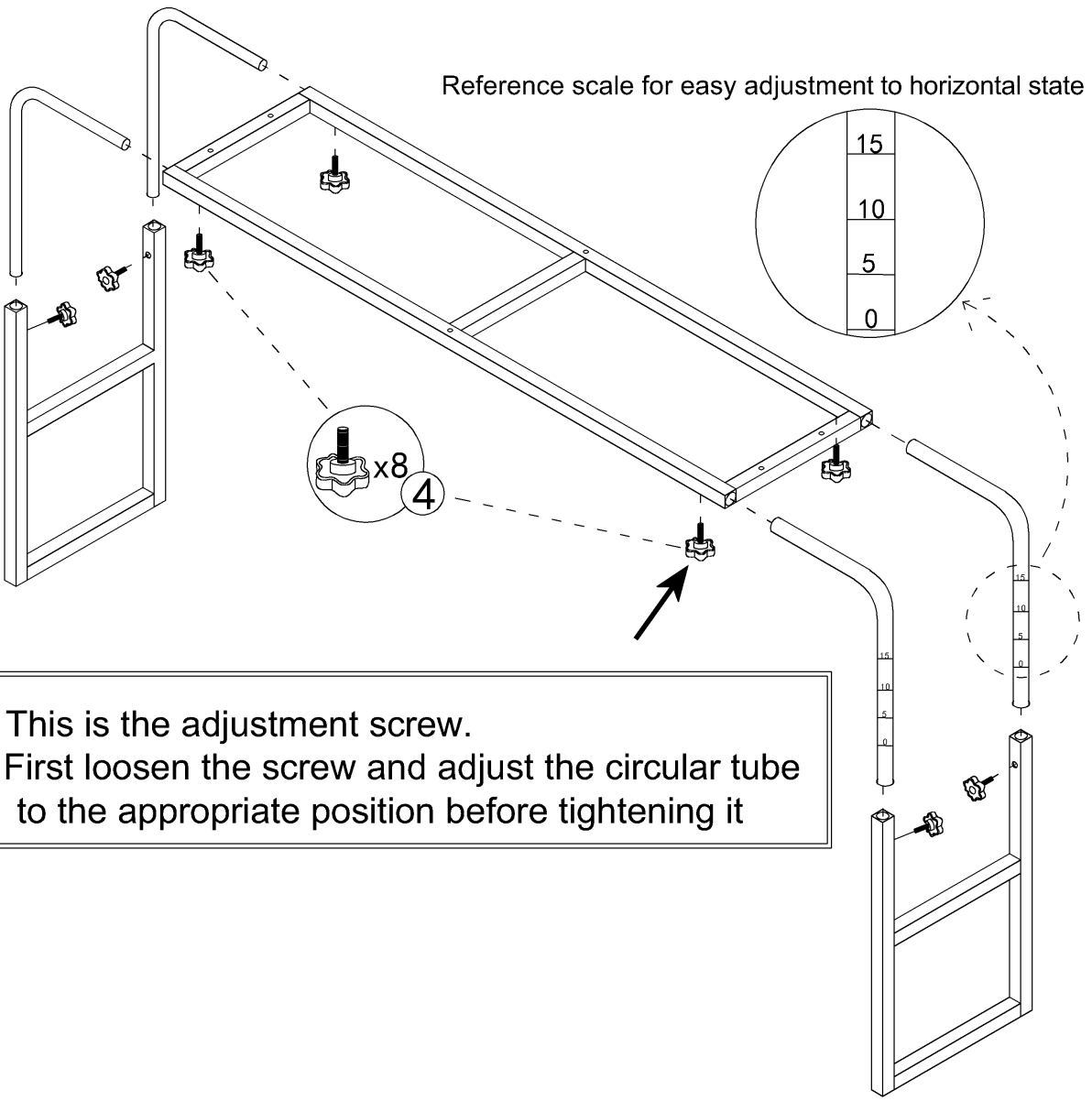
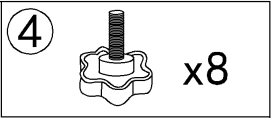


<p>4  x8</p>	<p>5  x4</p>	<p>6  x6</p>
<p>7  x2  x1</p>	<p>8  x1</p>	



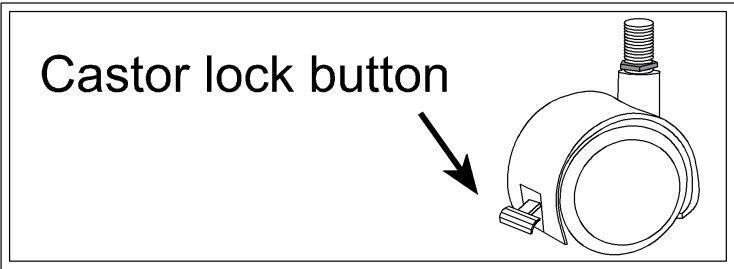
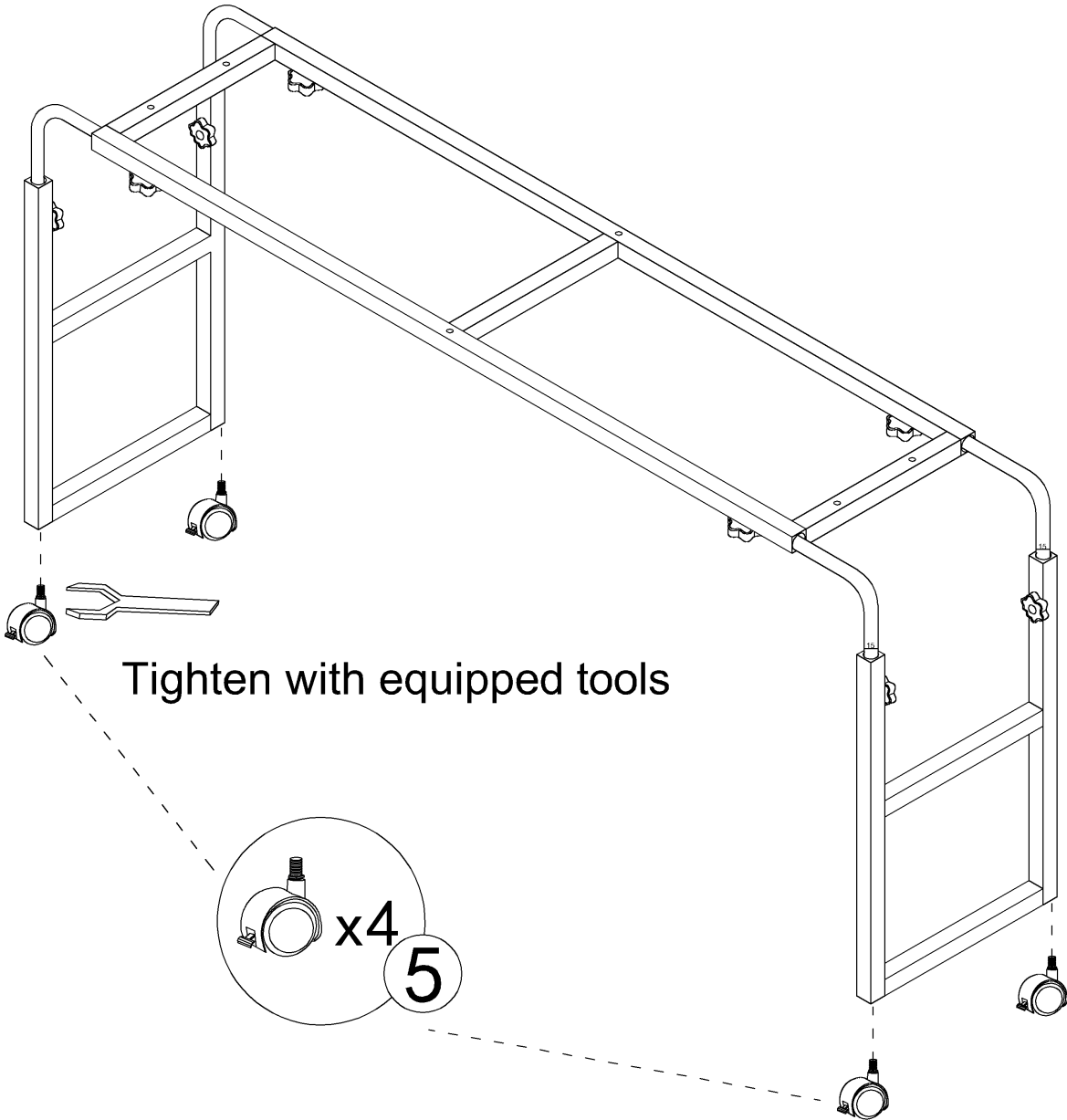
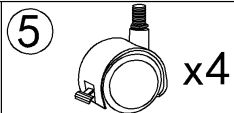
9

Step 5



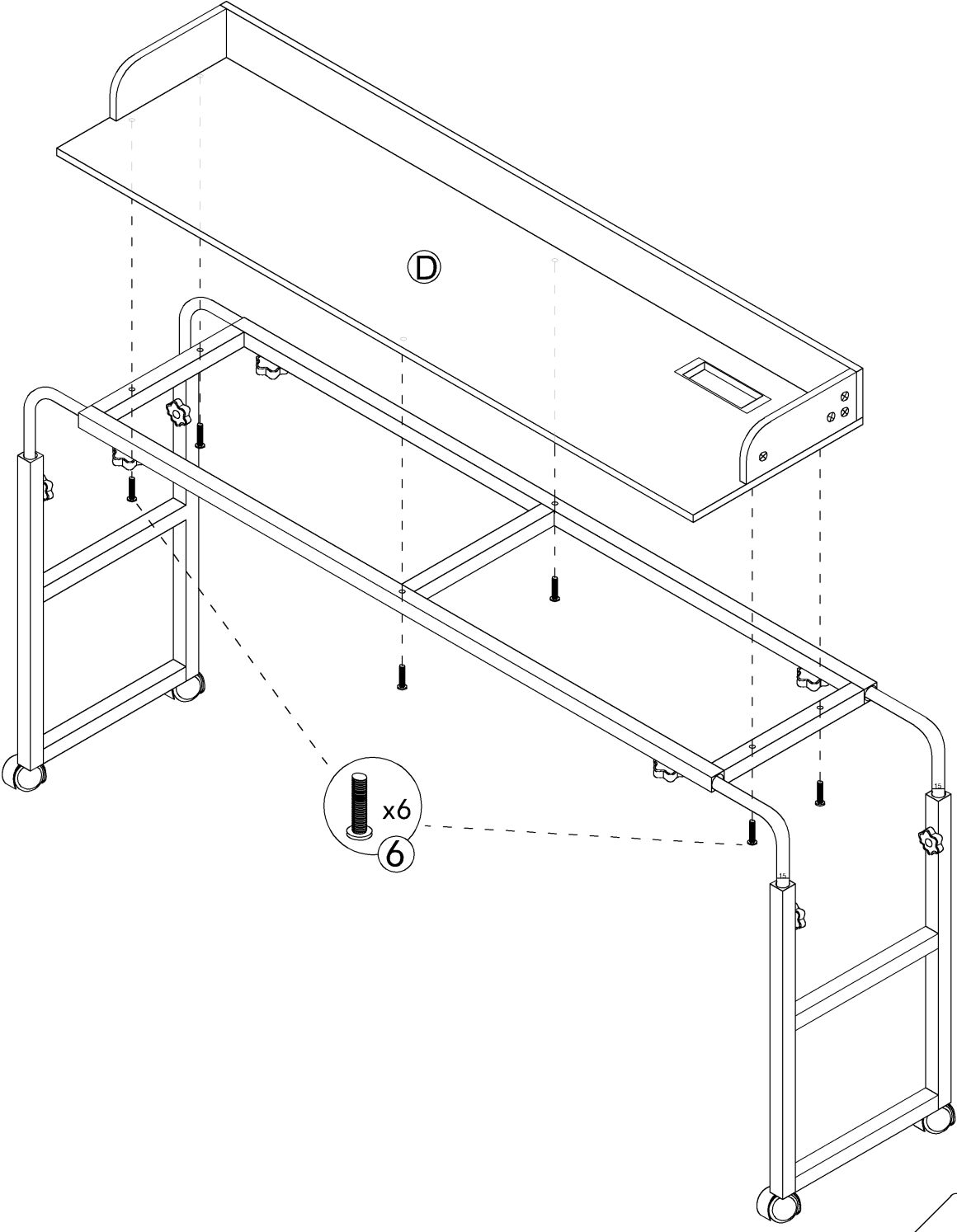
This is the adjustment screw.
First loosen the screw and adjust the circular tube
to the appropriate position before tightening it

Step 6



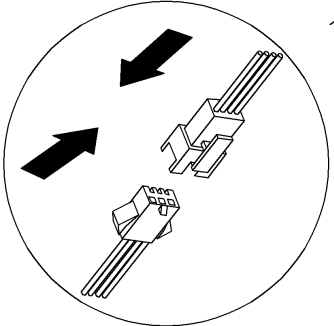
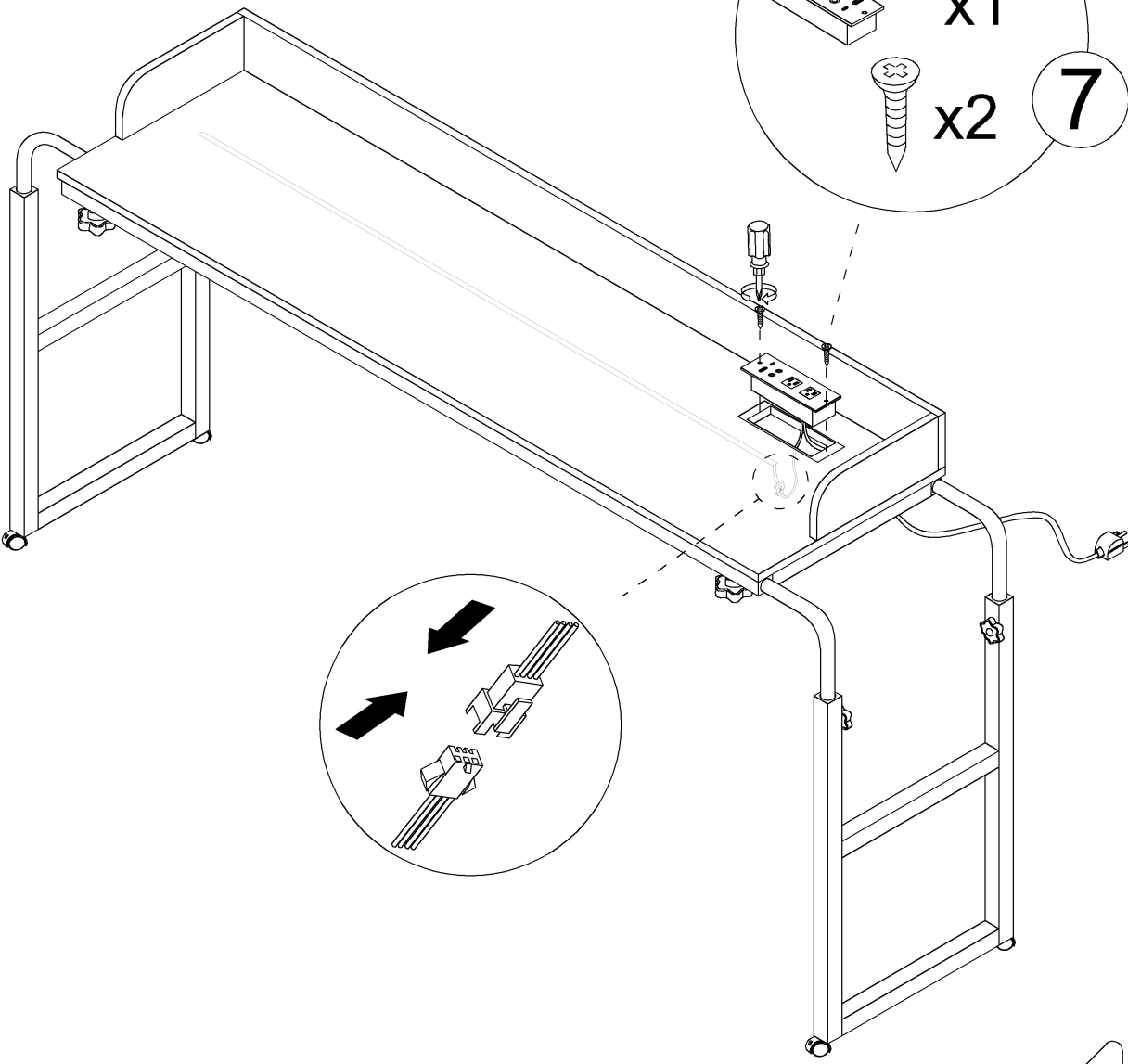
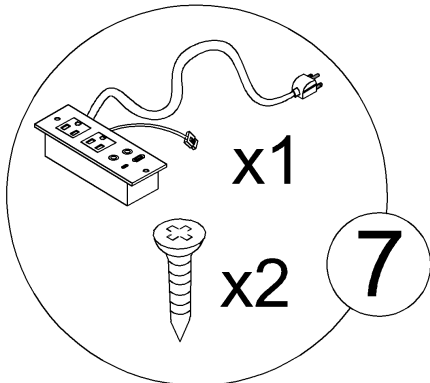
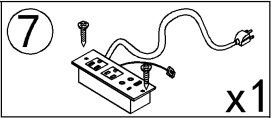
Step 7

6 x6




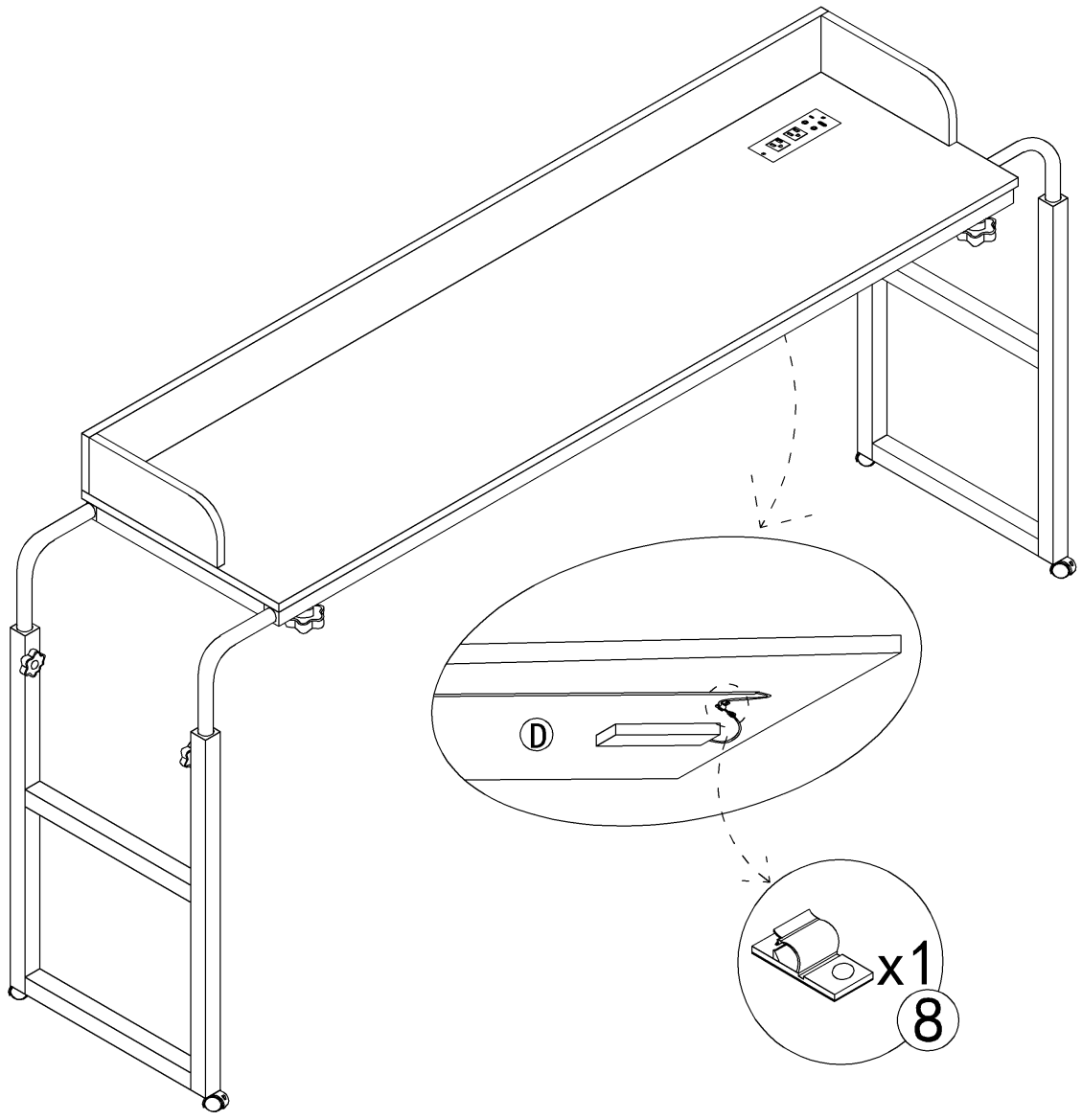
12

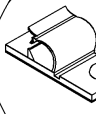
Step 8



Step 9

8  x1



 x1
8



User's Guide

Thank you for purchasing this product.

To use this product, please plug it into a 12V DC power supply.

Please use if the product works normally after connecting to power.

Introduction

The box is an intelligent controller. It has 1 USB output port 1 Type-c port and can distribute the current output up to 5V DC-2A. With 2 touch buttons, it can turn. ON/OFF the light, change light colors, and adjust the light luminance.

Operation



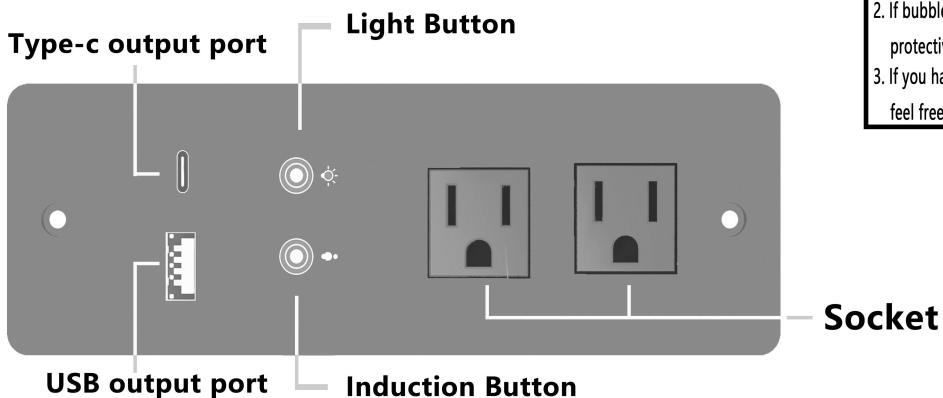
This touch button is used to turn on/off, change colors, and adjust brightness.

- A. Short touch -> lighting on -> short touch -> change light color -> short touch -> change light color -> short touch -> lighting off.
- B. Long touch -> adjust the luminance.



This touch button is used to turn on/off the induction function.

- A. Short touch to turn on the induction function. It can auto-turn on the light when people are close to the controller in 1 meters. It can auto power off the light when the body is far away from the controller after 30 seconds.
- B. Long touch to turn off the induction function.
- C. Note: When you touch the light button to change the light modes, the induction function will automatically turn off. It is best to turn on this function after selecting the light color and adjusting the brightness you want.



ATTENTION PLEASE

1. If there is no touch response suddenly, Re-plug the power to reset the touch static electricity.
2. If bubbles appear on the panel, remove the protective film.
3. If you have any questions when installing, please feel free to contact us. Thank you.