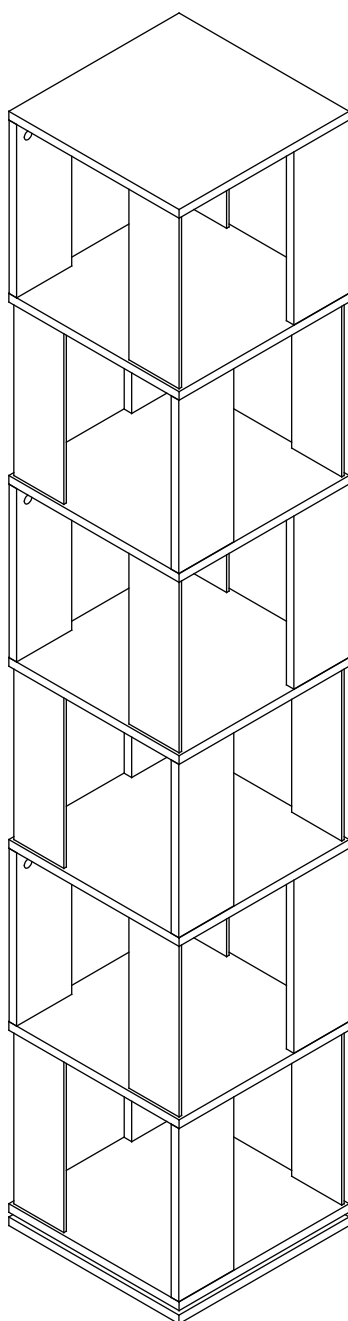
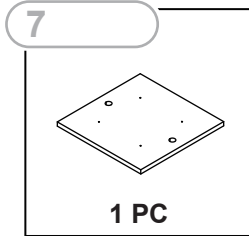
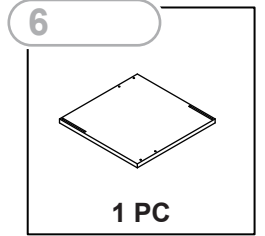
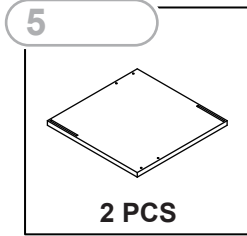
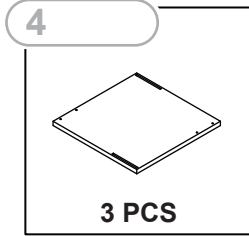
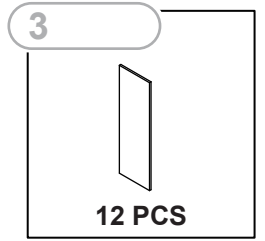
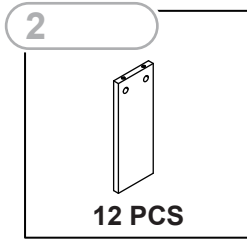
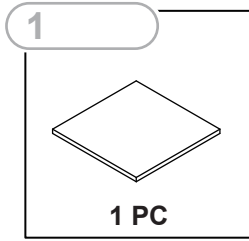
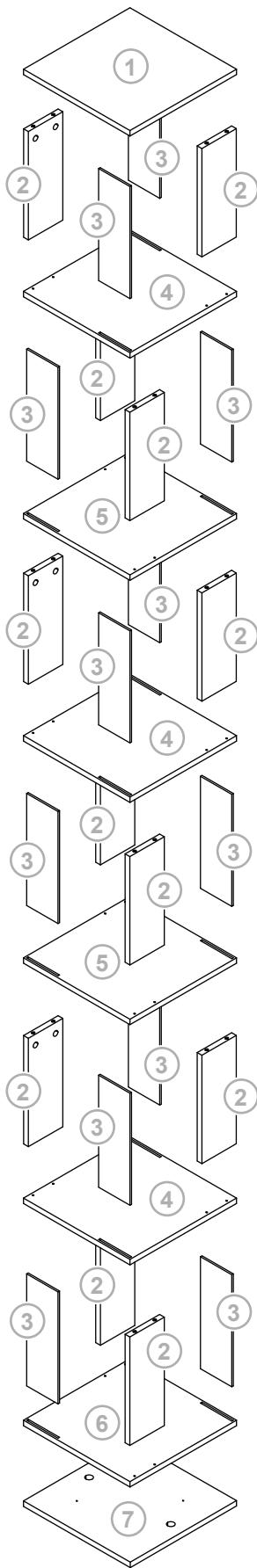


# DJYC2403 / 2403B

ASSEMBLY INTRODUCTION

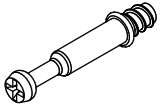


Plate



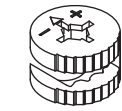
## Fitting

A x 24 +2

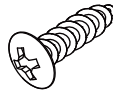


M6 x 35 mm

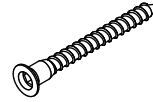
B x 24 +2

 $\varnothing 15 \times 9.5 \text{ mm}$ 

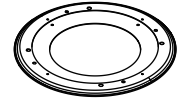
C x 8 +1

 $\varnothing 4 \times 12 \text{ mm}$ 

D x 24 +2

 $\varnothing 5 \times 45 \text{ mm}$ 

E x 1



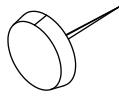
300mm

F x 1



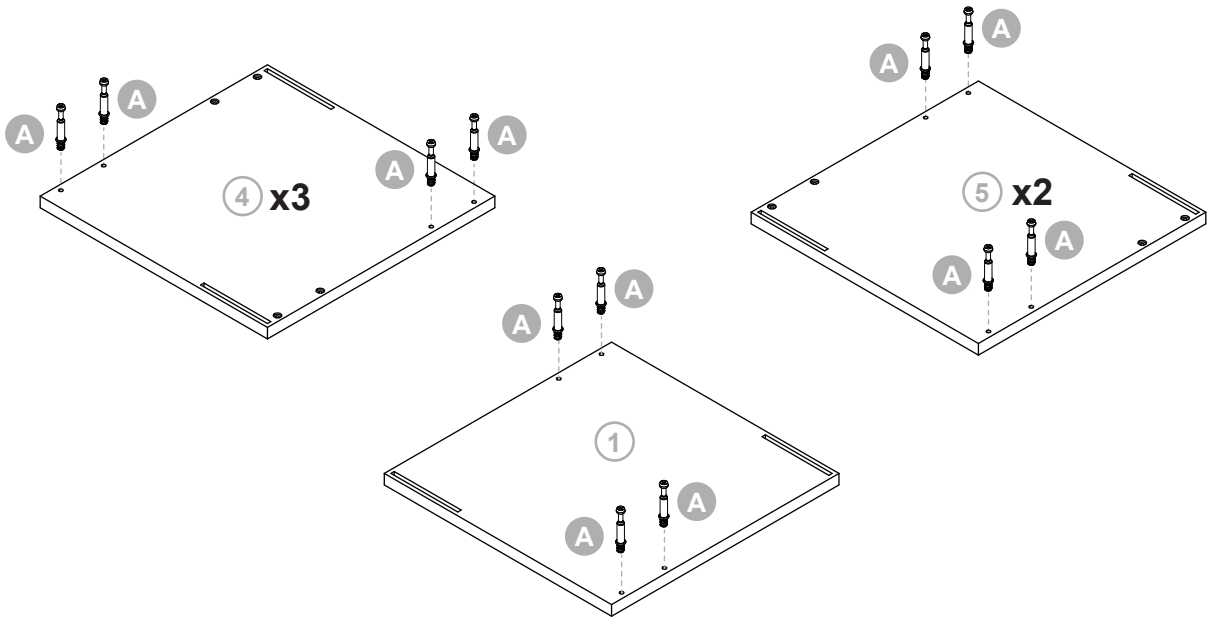
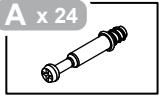
4 mm

G x 4

 $\varnothing 25 \text{ mm}$

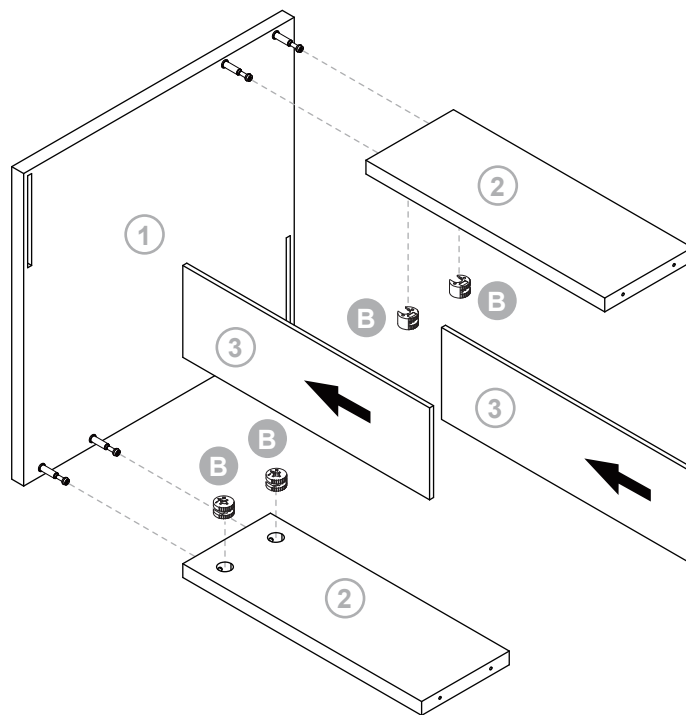
1

A x 24

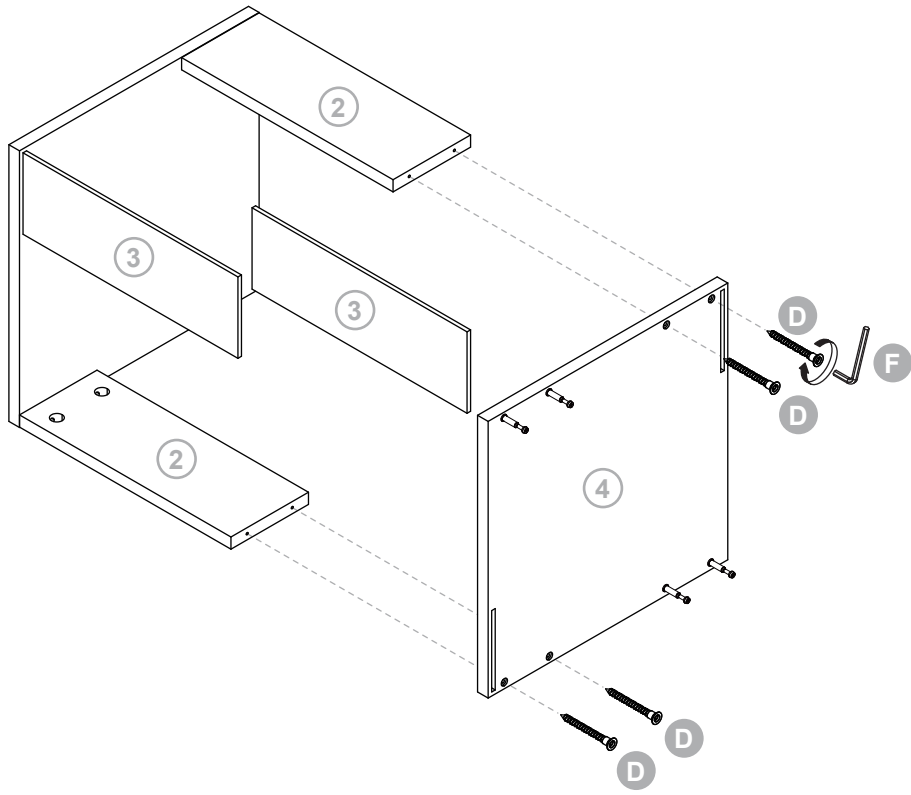
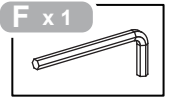
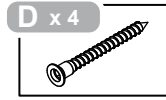


2

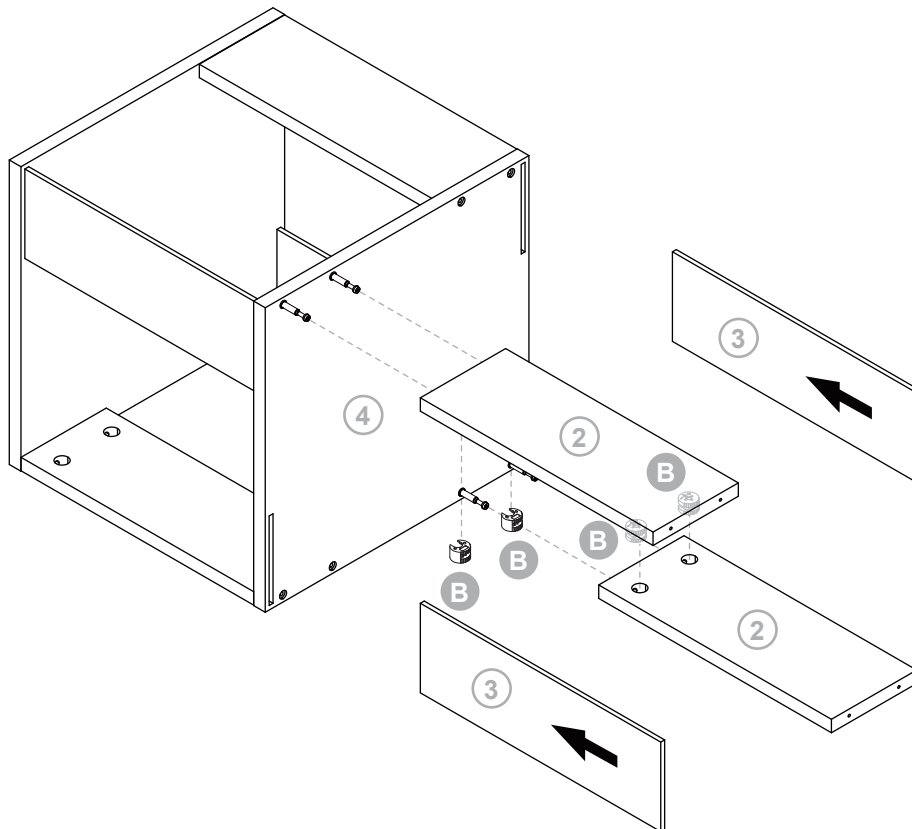
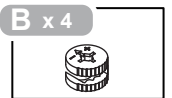
B x 4



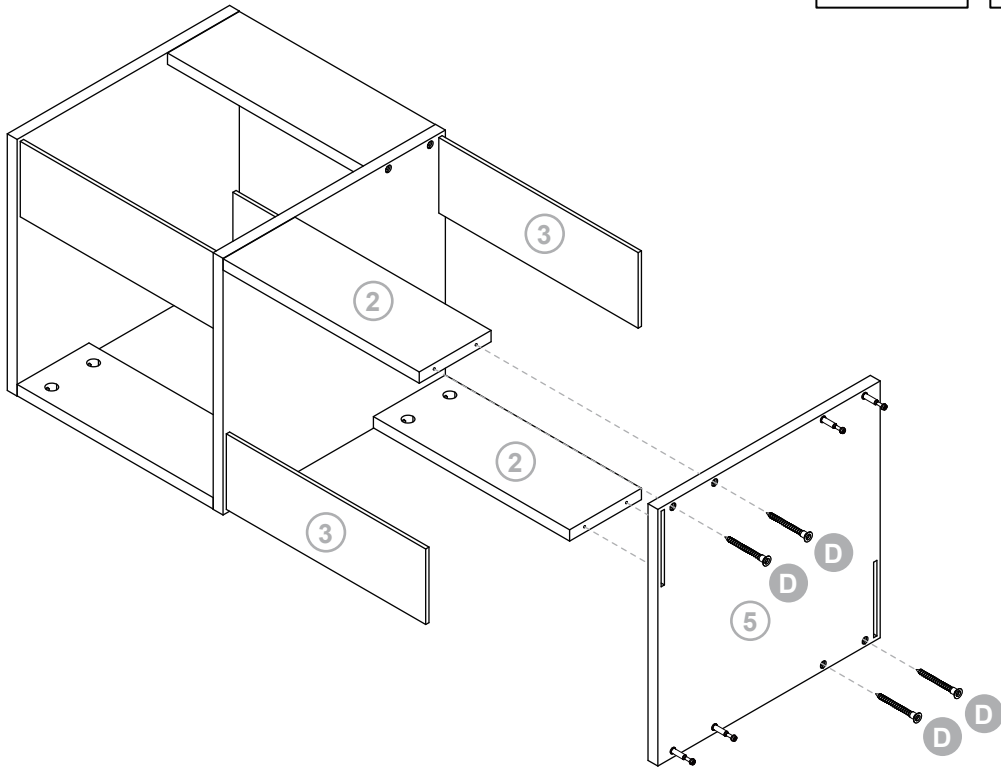
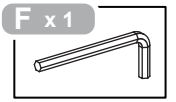
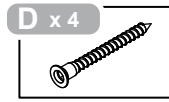
3



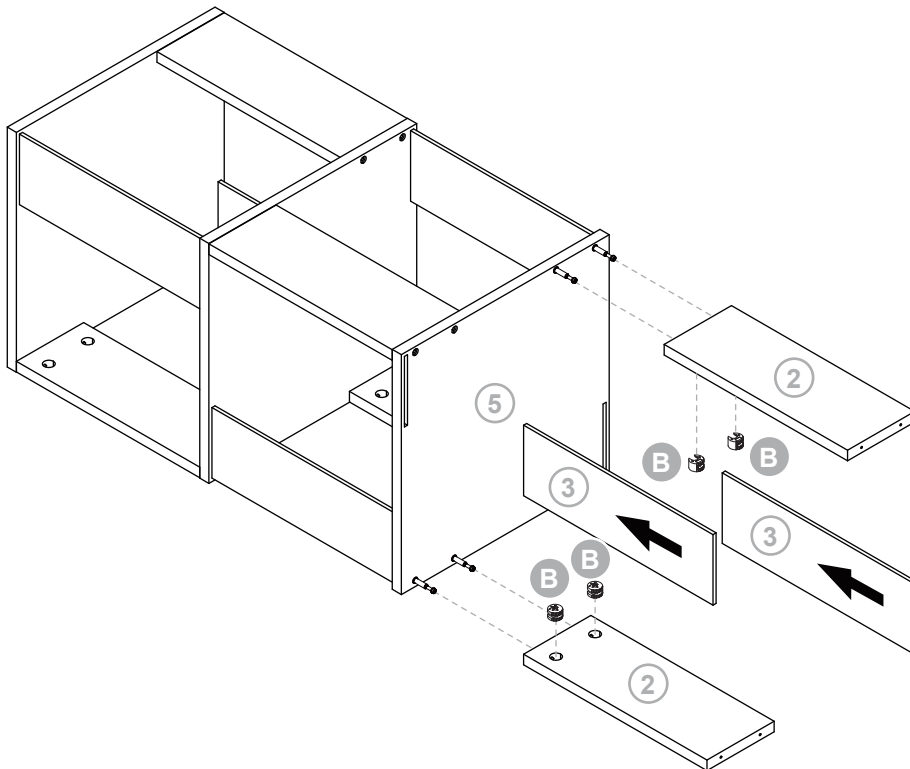
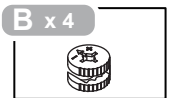
4



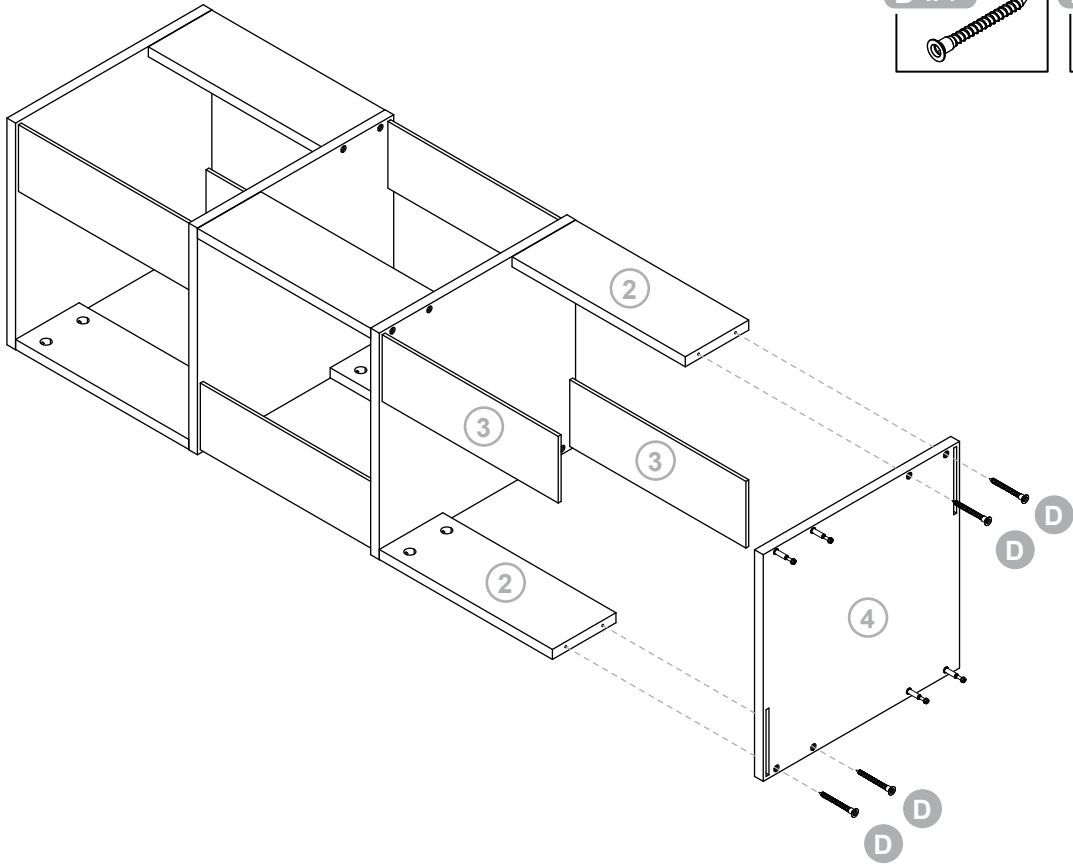
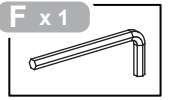
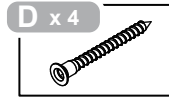
5



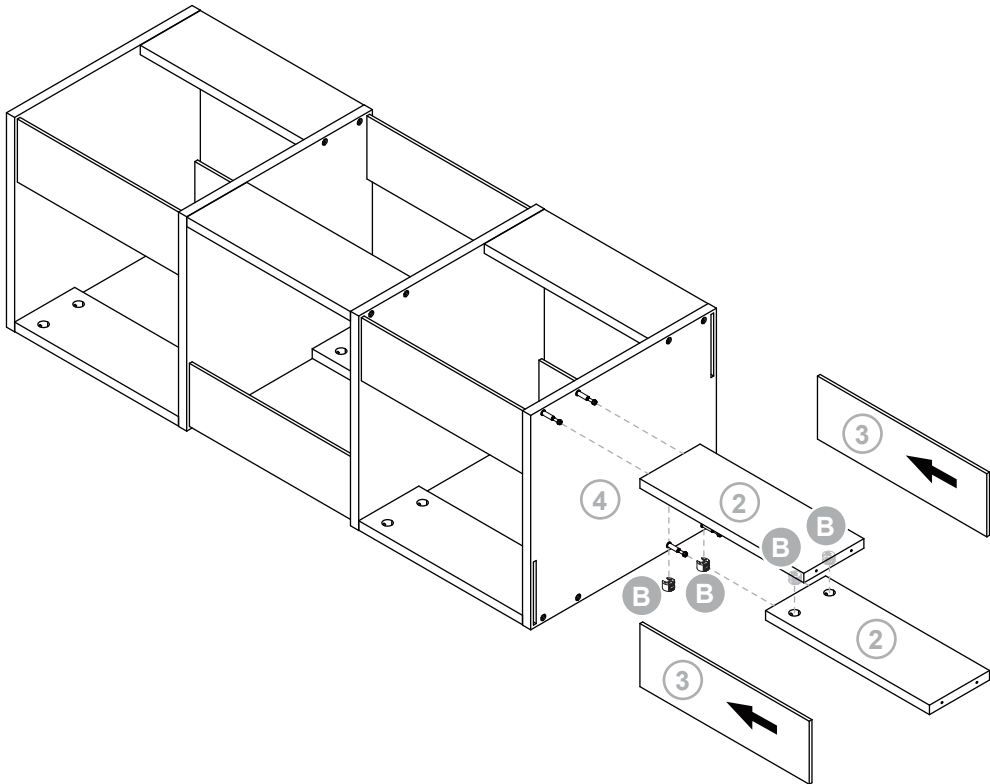
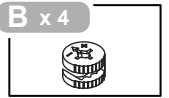
6



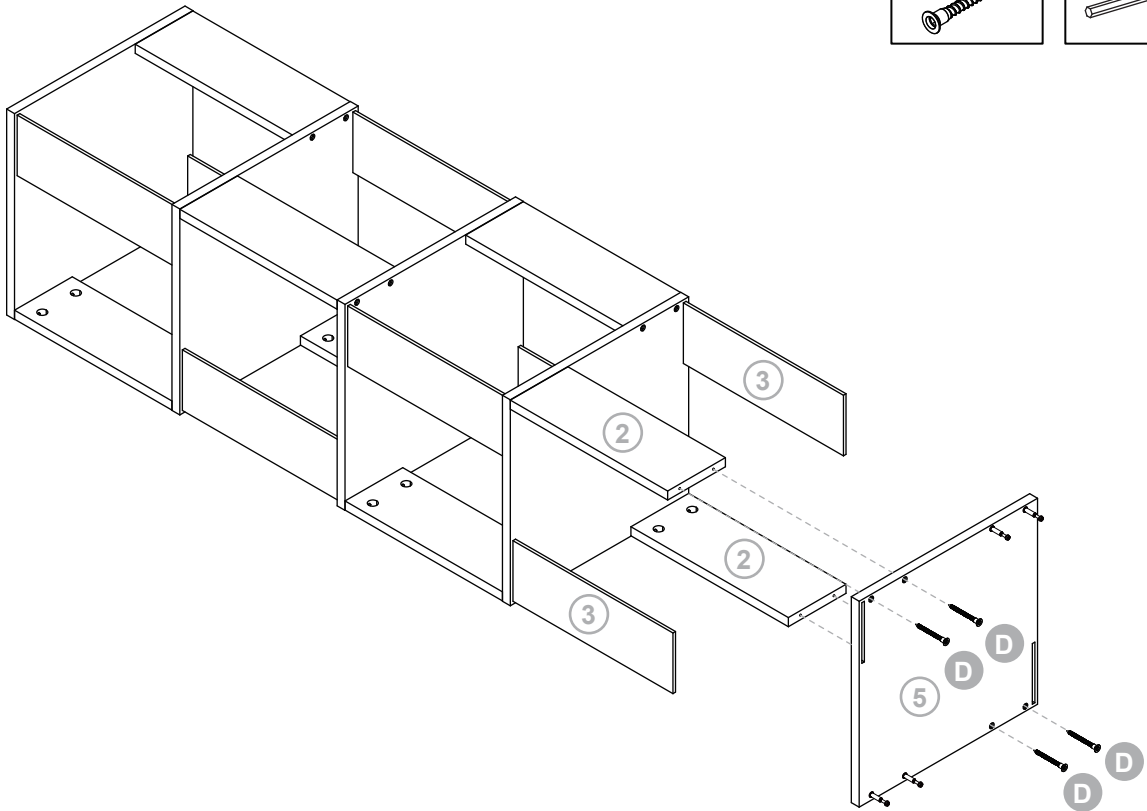
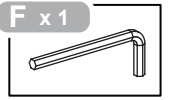
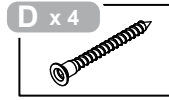
7



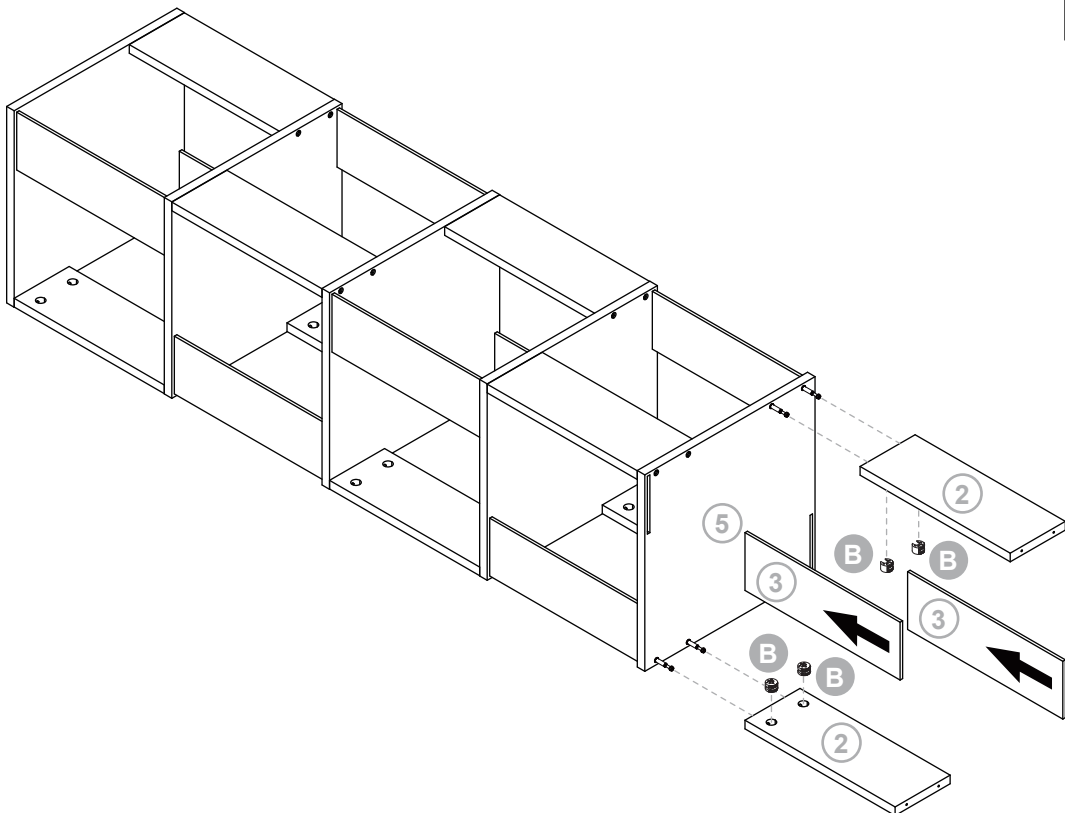
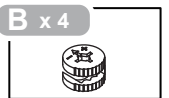
8



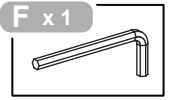
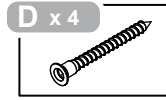
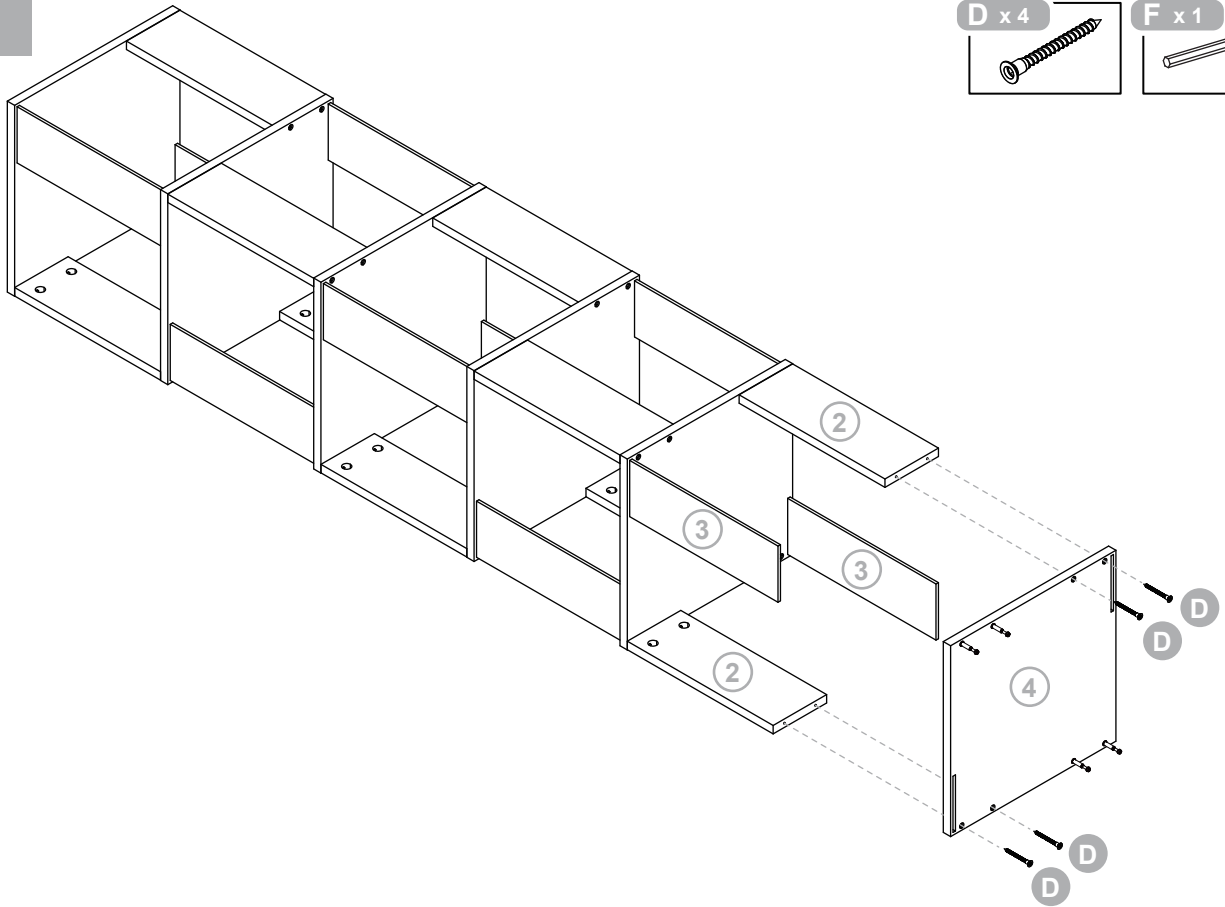
9



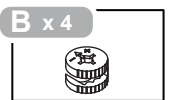
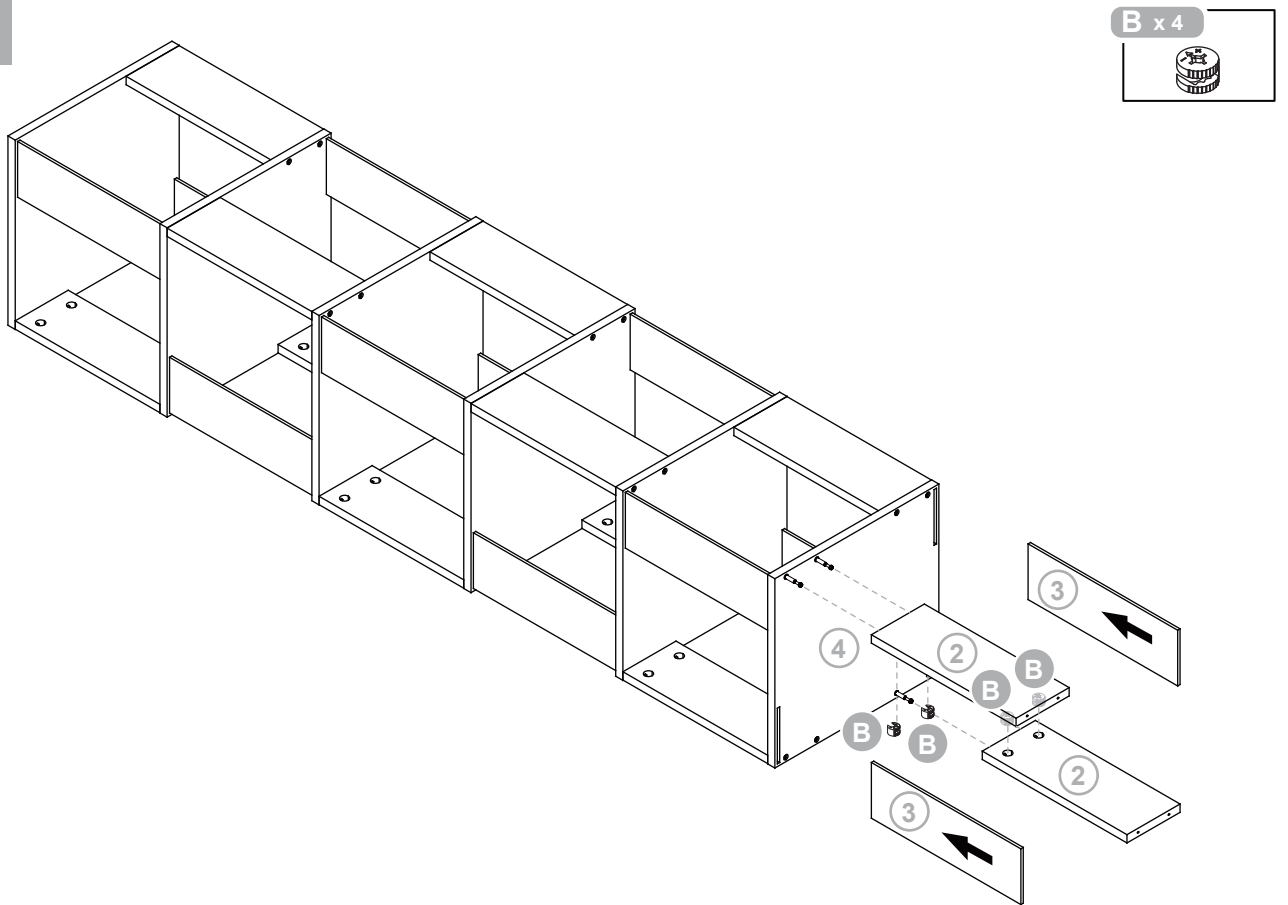
10



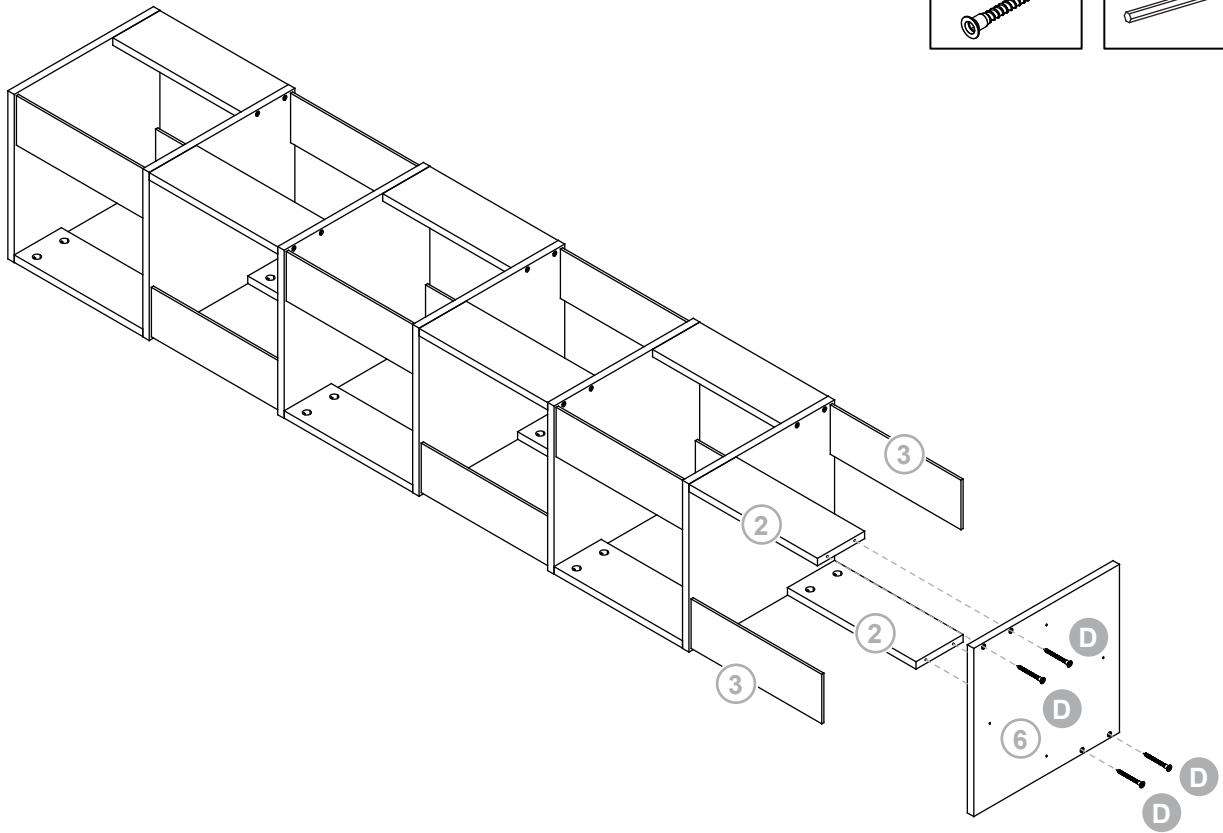
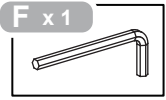
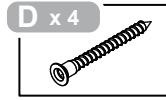
11



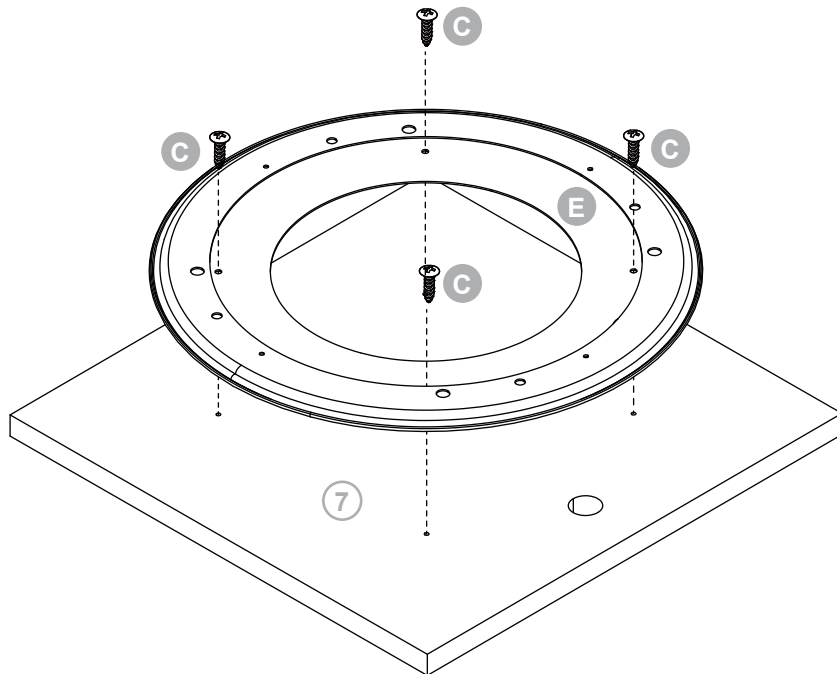
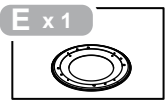
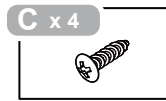
12



13

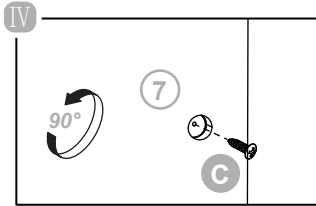
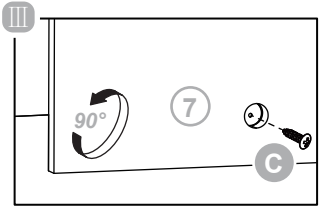
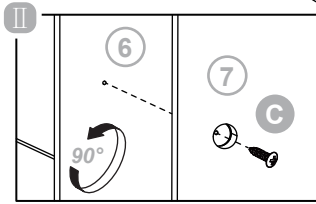
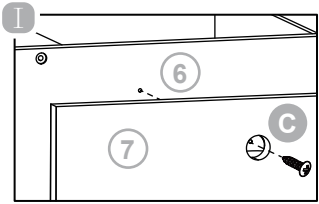
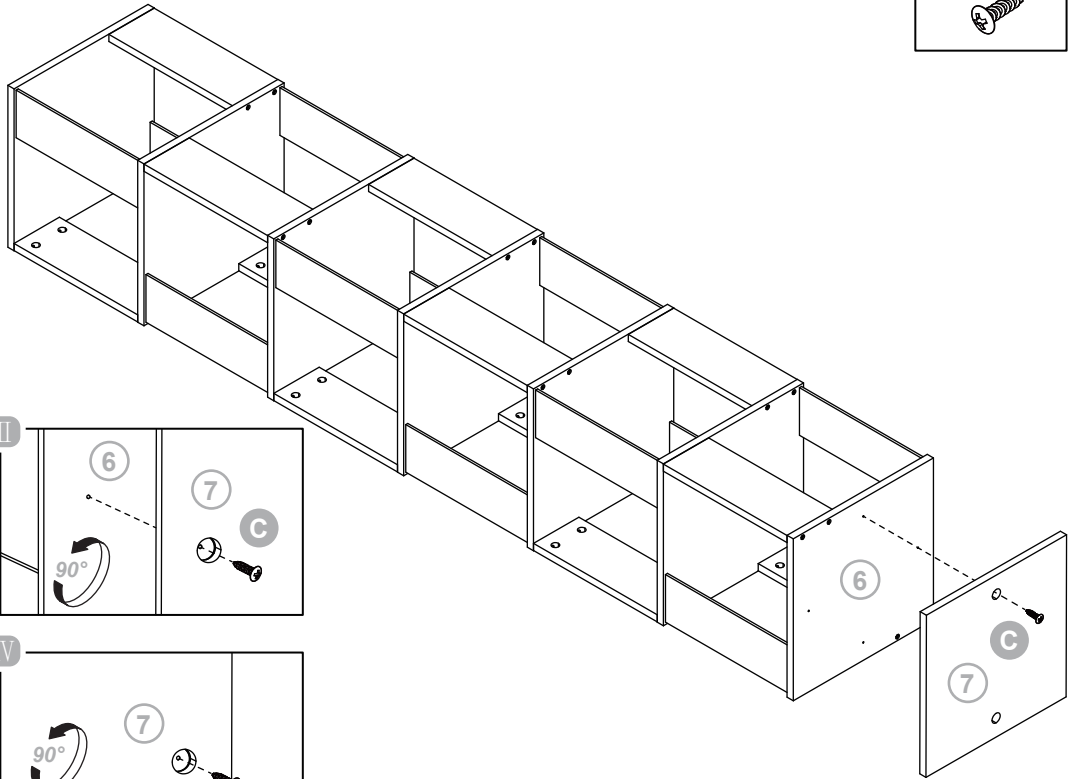


14



15

C x 4



16

G x 4

