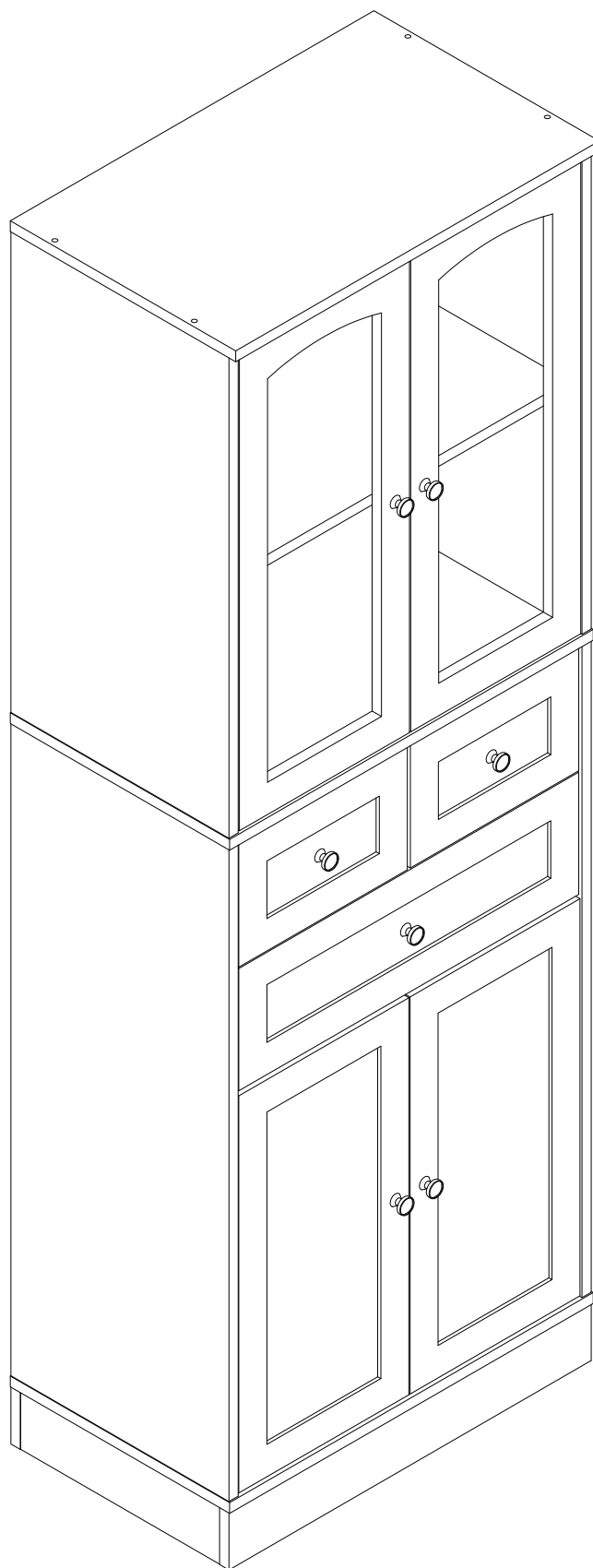
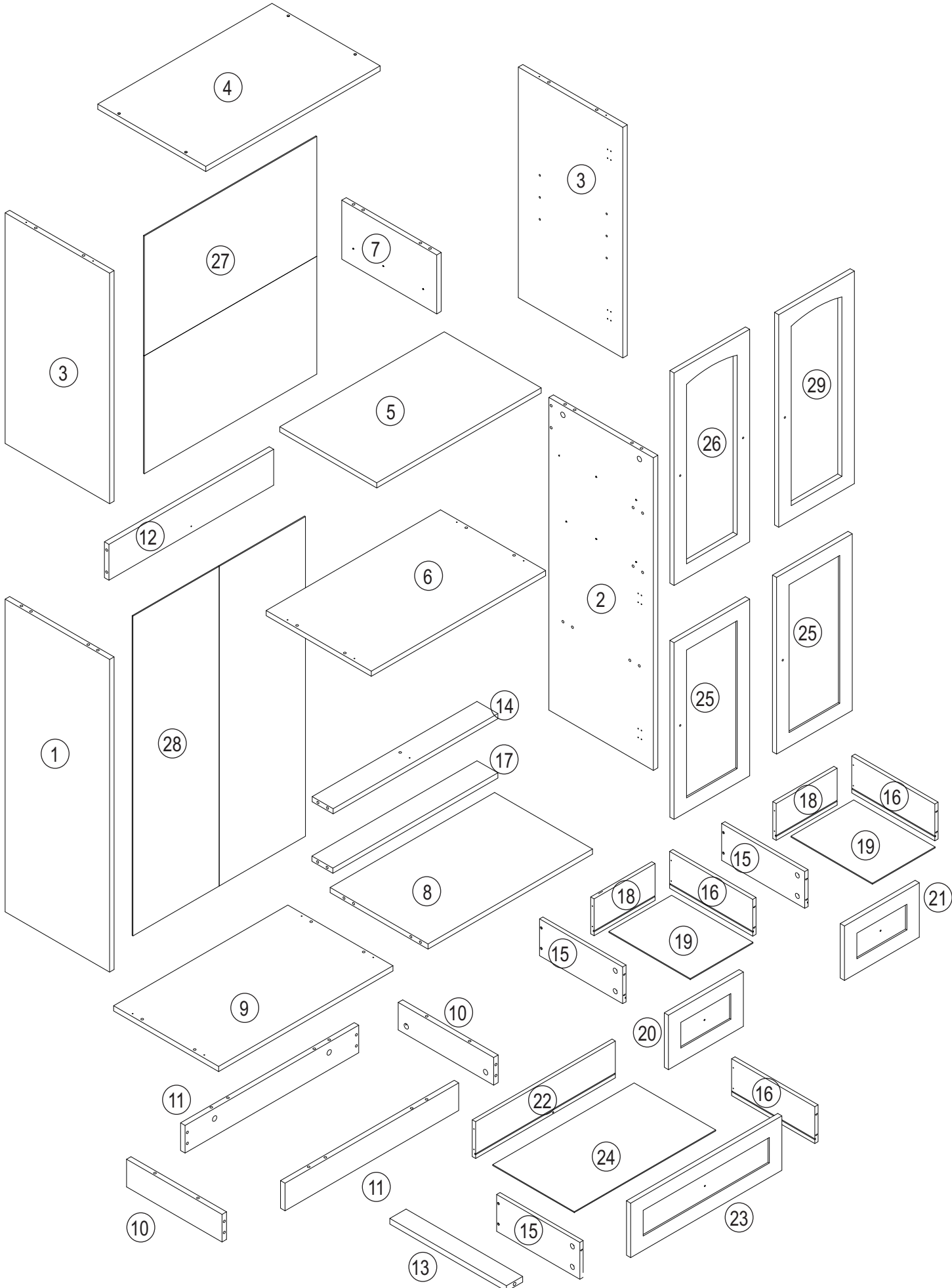


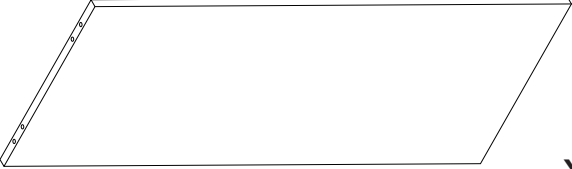
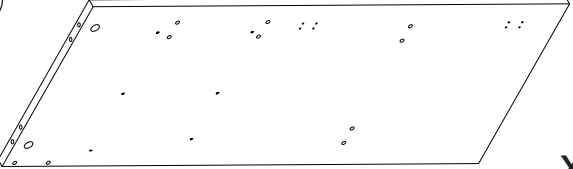
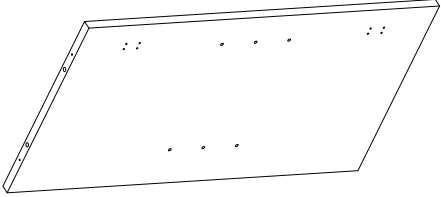
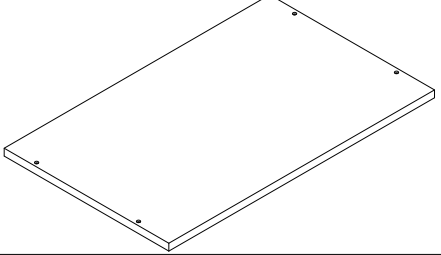
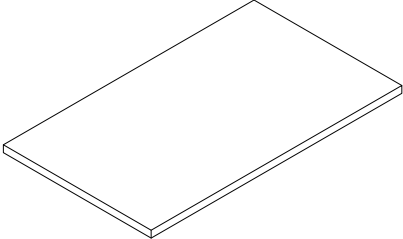
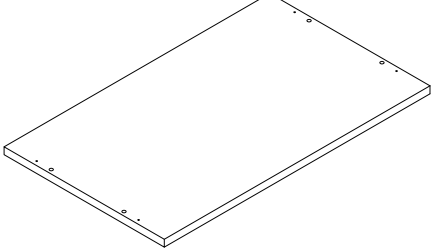
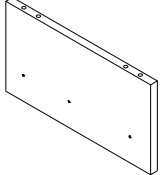
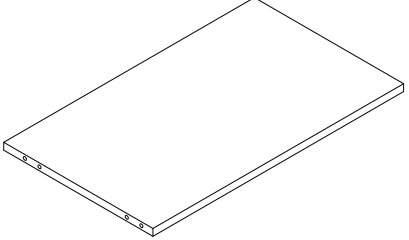
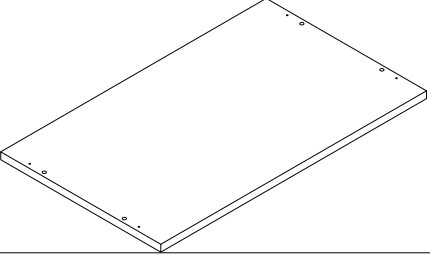
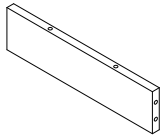
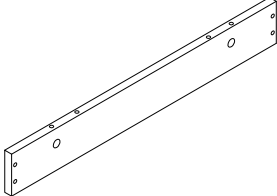
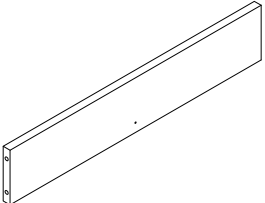
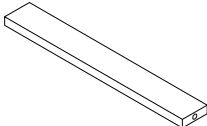
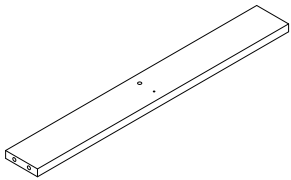
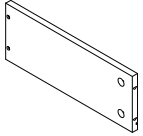
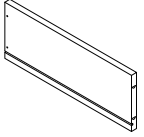
ASSEMBLY INSTRUCTION

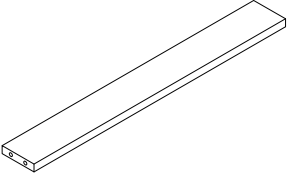
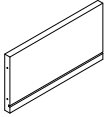
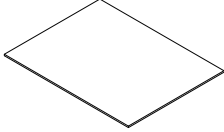
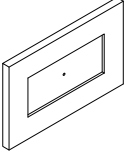
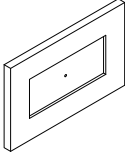
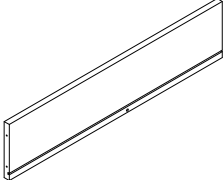
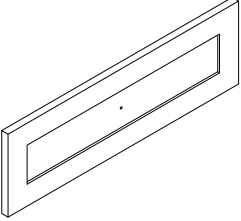
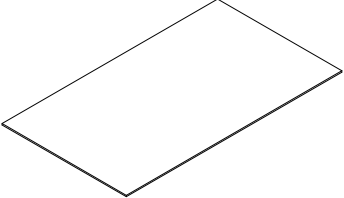
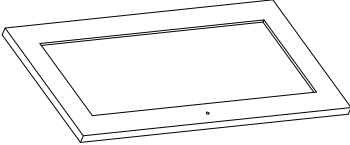
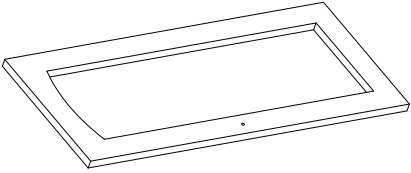
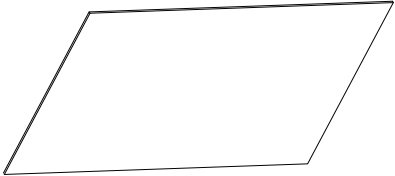
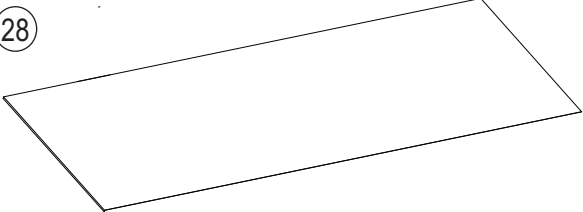
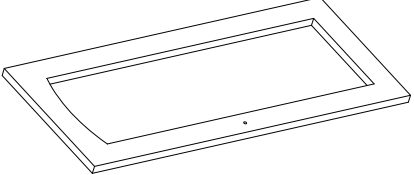
SKU:N725P186647



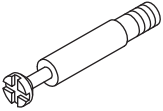

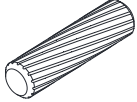
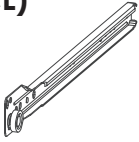
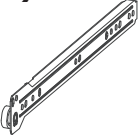
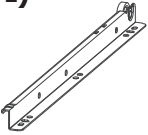
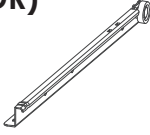

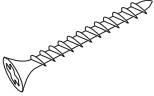

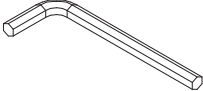
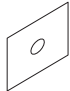

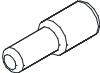
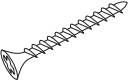


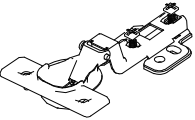
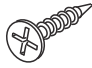


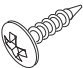
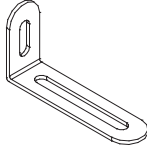
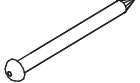
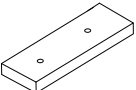
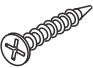

PARTS LIST



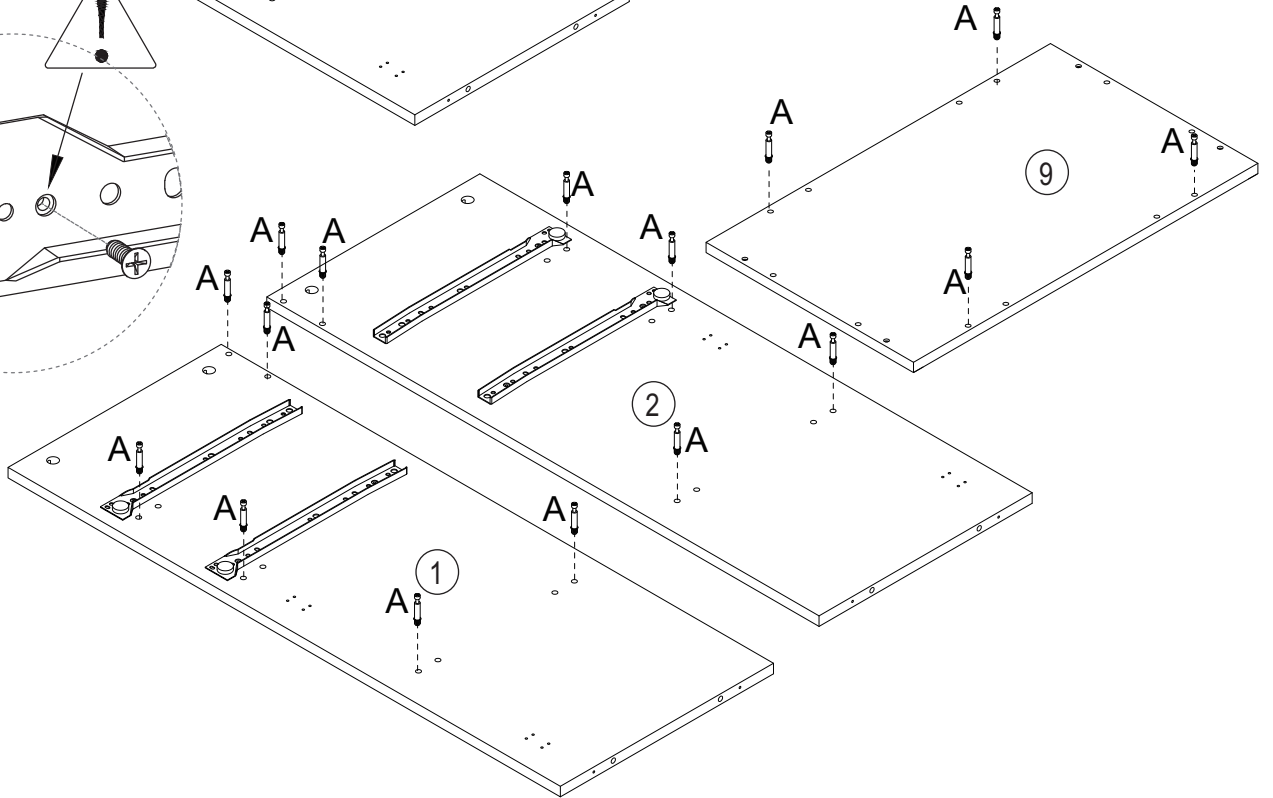
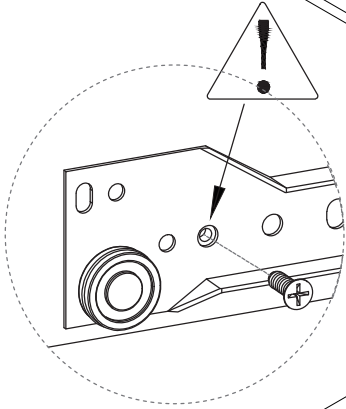
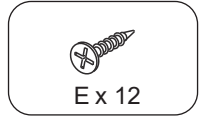
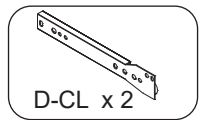
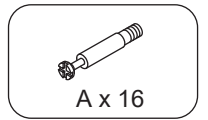
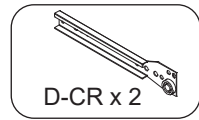
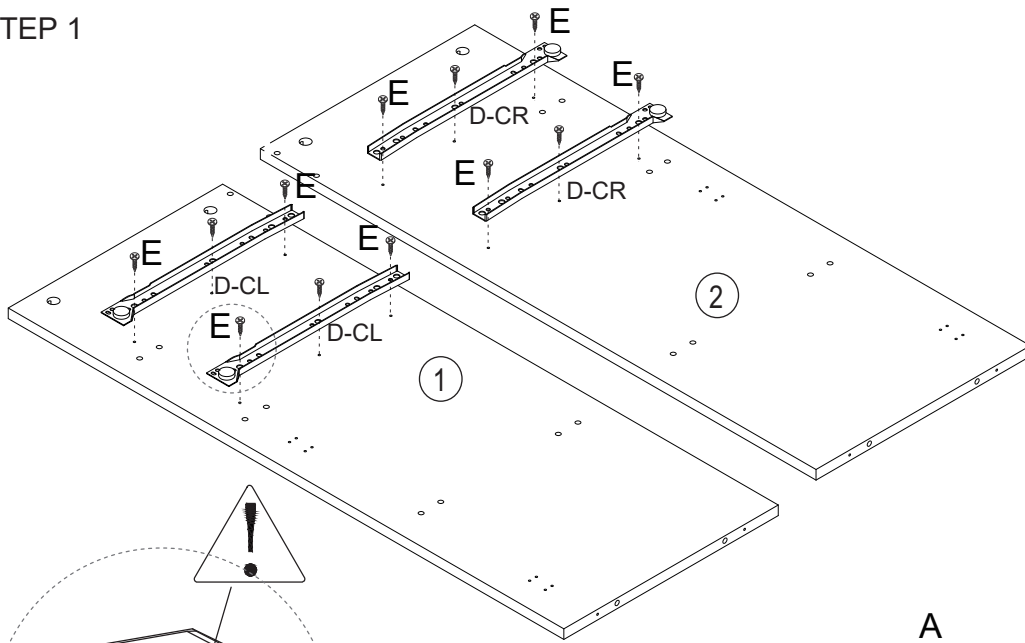
| | |
|--|--|
| <p>①</p>  <p>x1</p> | <p>②</p>  <p>x1</p> |
| <p>③</p>  <p>x2</p> | <p>④</p>  <p>x1</p> |
| <p>⑤</p>  <p>x1</p> | <p>⑥</p>  <p>x1</p> |
| <p>⑦</p>  <p>x1</p> | <p>⑧</p>  <p>x1</p> |
| <p>⑨</p>  <p>x1</p> | <p>⑩</p>  <p>x2</p> |
| <p>⑪</p>  <p>x2</p> | <p>⑫</p>  <p>x1</p> |
| <p>⑬</p>  <p>x1</p> | <p>⑭</p>  <p>x1</p> |
| <p>⑮</p>  <p>x3</p> | <p>⑯</p>  <p>x3</p> |

| | |
|---|--|
| <p>①7</p>  <p>x1</p> | <p>①8</p>  <p>x2</p> |
| <p>①9</p>  <p>x2</p> | <p>②0</p>  <p>x1</p> |
| <p>②1</p>  <p>x1</p> | <p>②2</p>  <p>x1</p> |
| <p>②3</p>  <p>x1</p> | <p>②4</p>  <p>x1</p> |
| <p>②5</p>  <p>x2</p> | <p>②6</p>  <p>x1</p> |
| <p>②7</p>  <p>x2</p> | <p>②8</p>  <p>x2</p> |
| <p>②9</p>  <p>x1</p> | |
| | |

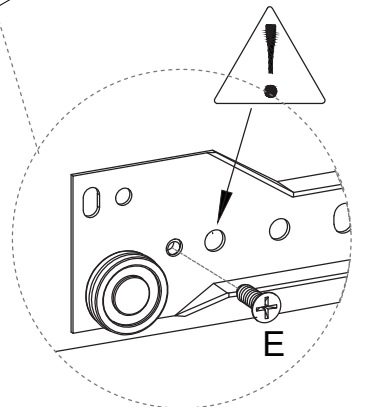
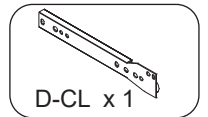
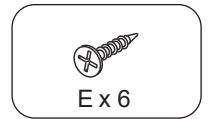
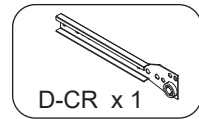
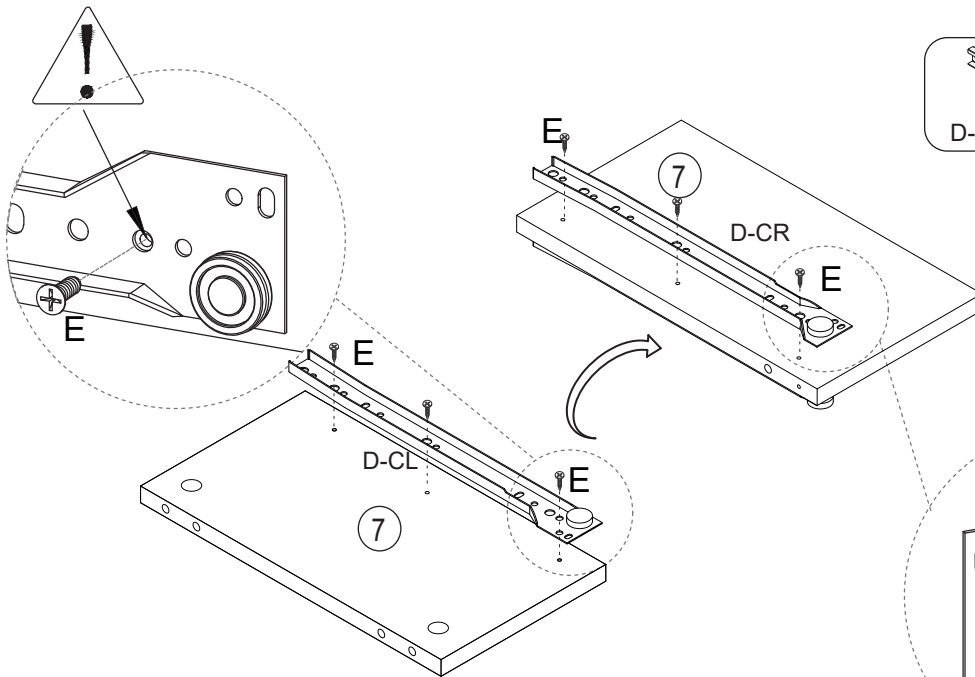
Hardware:

| | | | |
|--|--|---|---|
|  <p>39 x A</p> |  <p>39 x B</p> |  <p>39 x C</p> | <p>(CL)</p>  <p>3 x D</p> |
| <p>(CR)</p>  <p>3 x D</p> | <p>(DL)</p>  <p>3 x D</p> | <p>(DR)</p>  <p>3 x D</p> |  <p>30 x E Ø3.5*12</p> |
|  <p>4 x F Ø4*35</p> |  <p>12 x G</p> |  <p>1 x H</p> |  <p>4 x I</p> |
|  <p>4 x J Ø3*14</p> |  <p>4 x K</p> |  <p>13 x L Ø4*30</p> |  <p>7 x M</p> |
|  <p>4 x N M4x16</p> |  <p>8 x O</p> |  <p>48 x P Ø4*14</p> |  <p>3 x Q M4x10</p> |
|  <p>2 x R</p> |  <p>2 x T Ø4*14</p> |  <p>2 x U</p> |  <p>38 x V</p> |
|  <p>1 x W</p> |  <p>2 x X Ø3*16</p> |  <p>8 x Y</p> | |

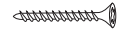
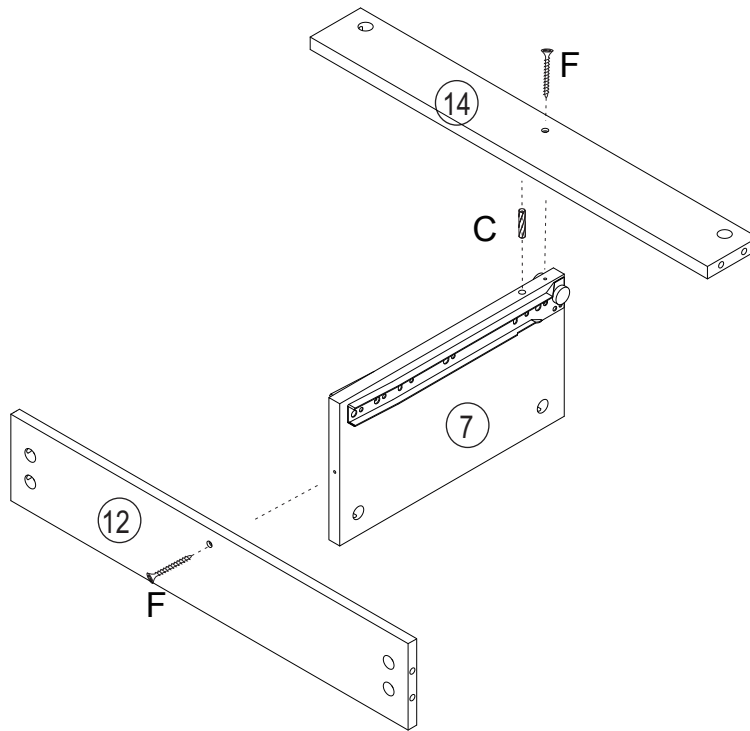
STEP 1



STEP 2



STEP 3

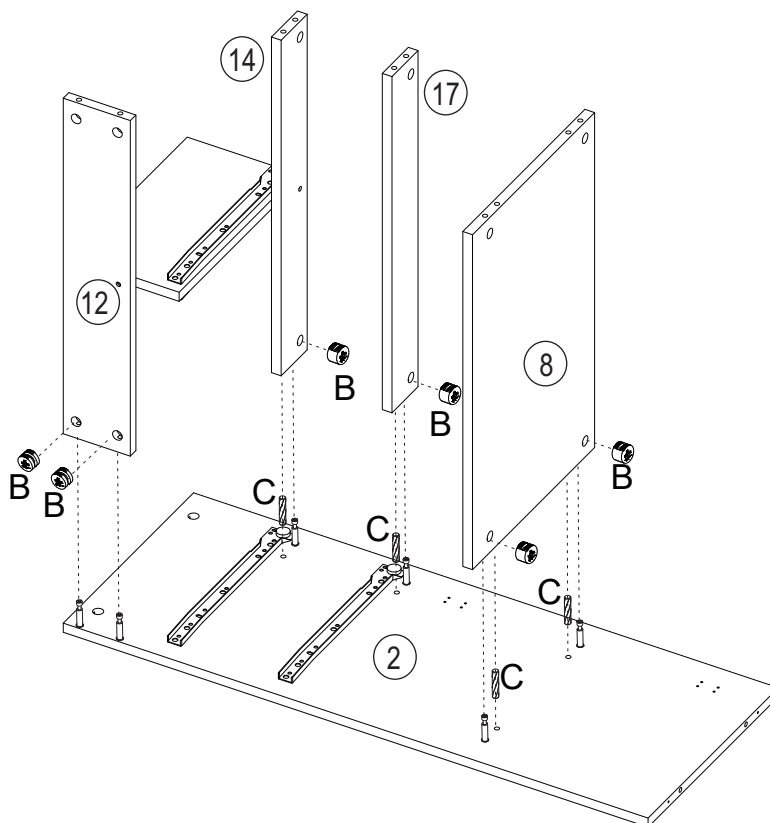


F x 2



C x 1

STEP 4

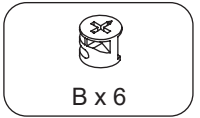
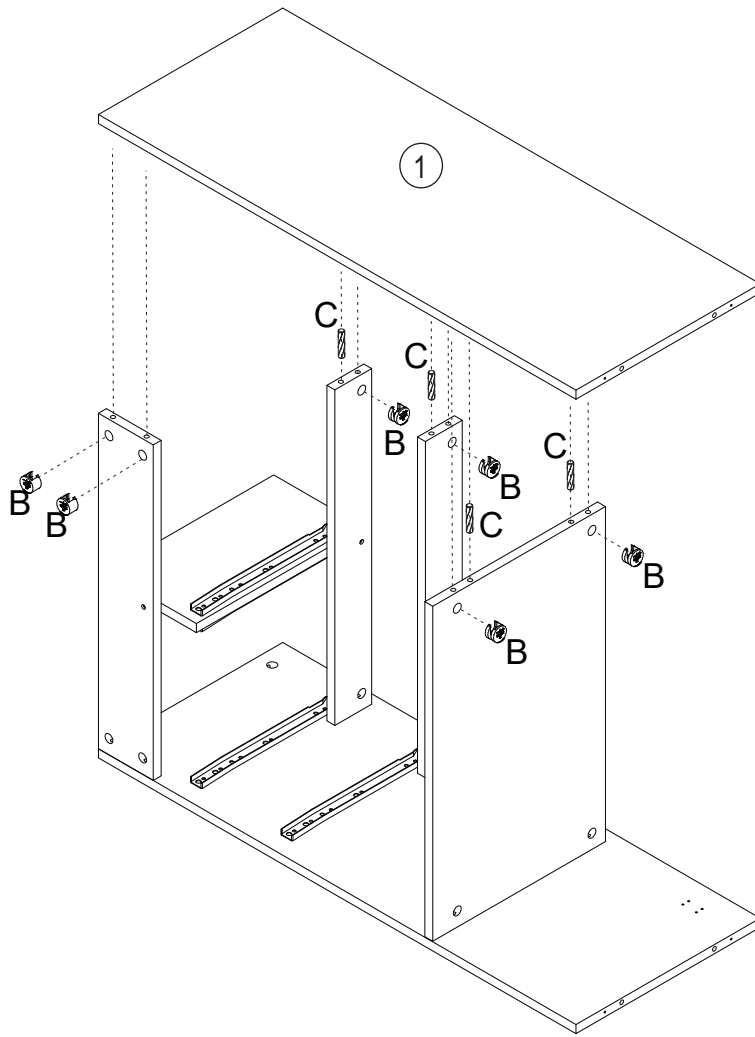


B x 6

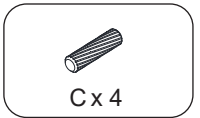


C x 4

STEP 5

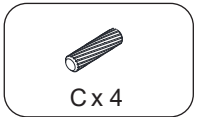
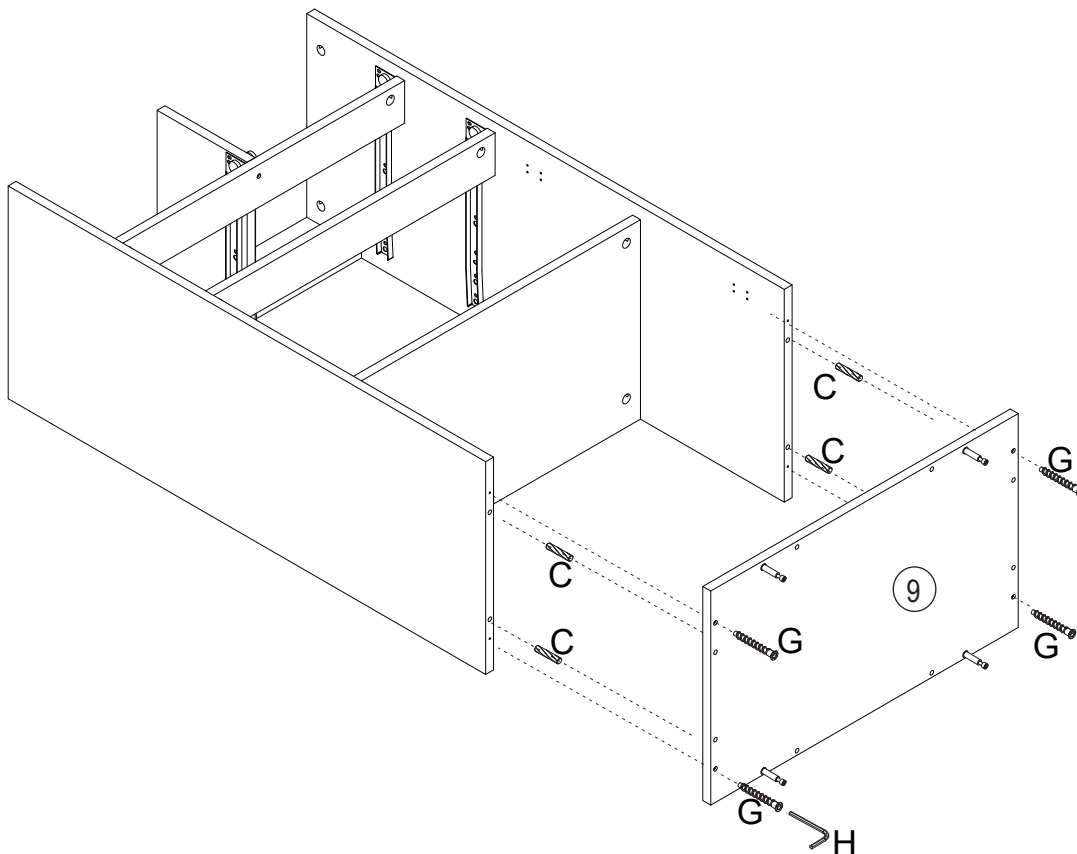


B x 6

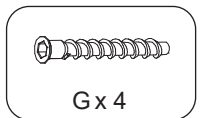


C x 4

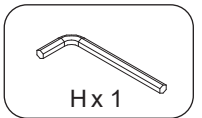
STEP 6



C x 4

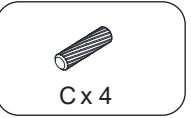
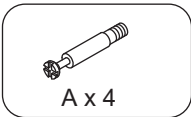
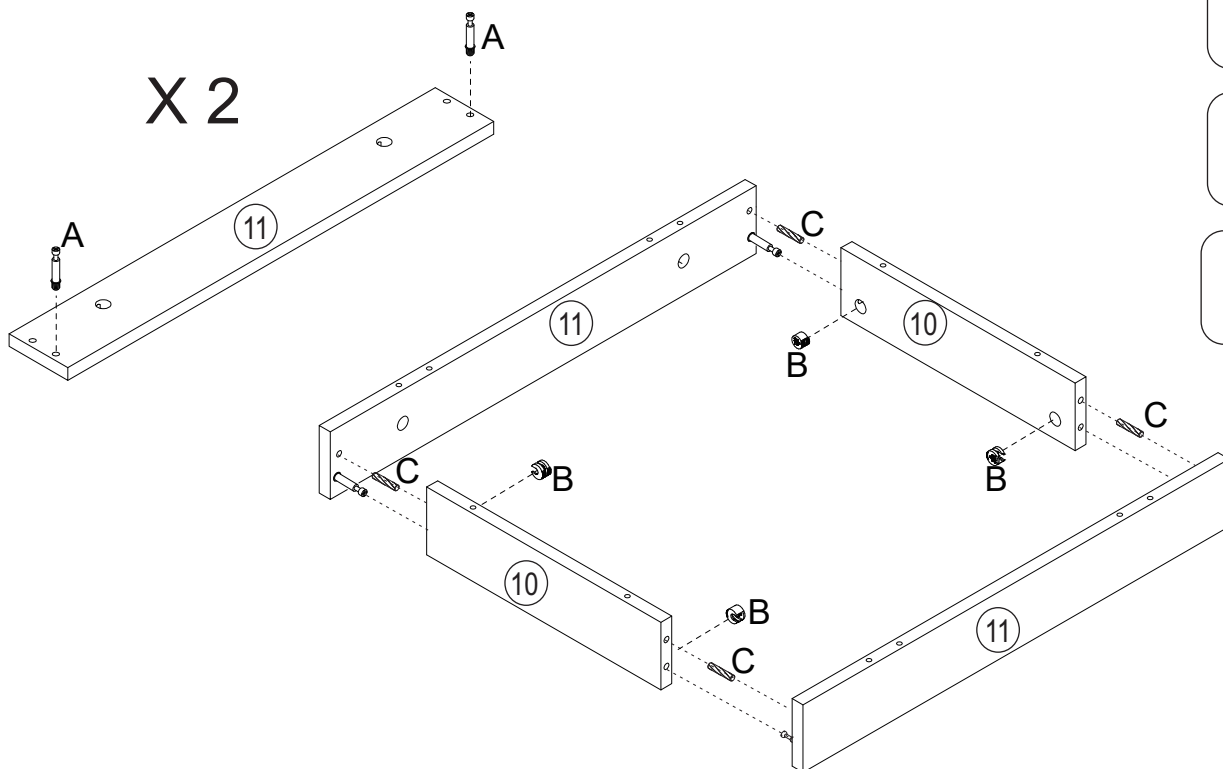


G x 4

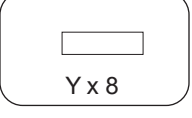
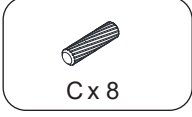
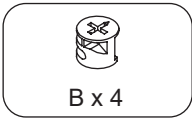
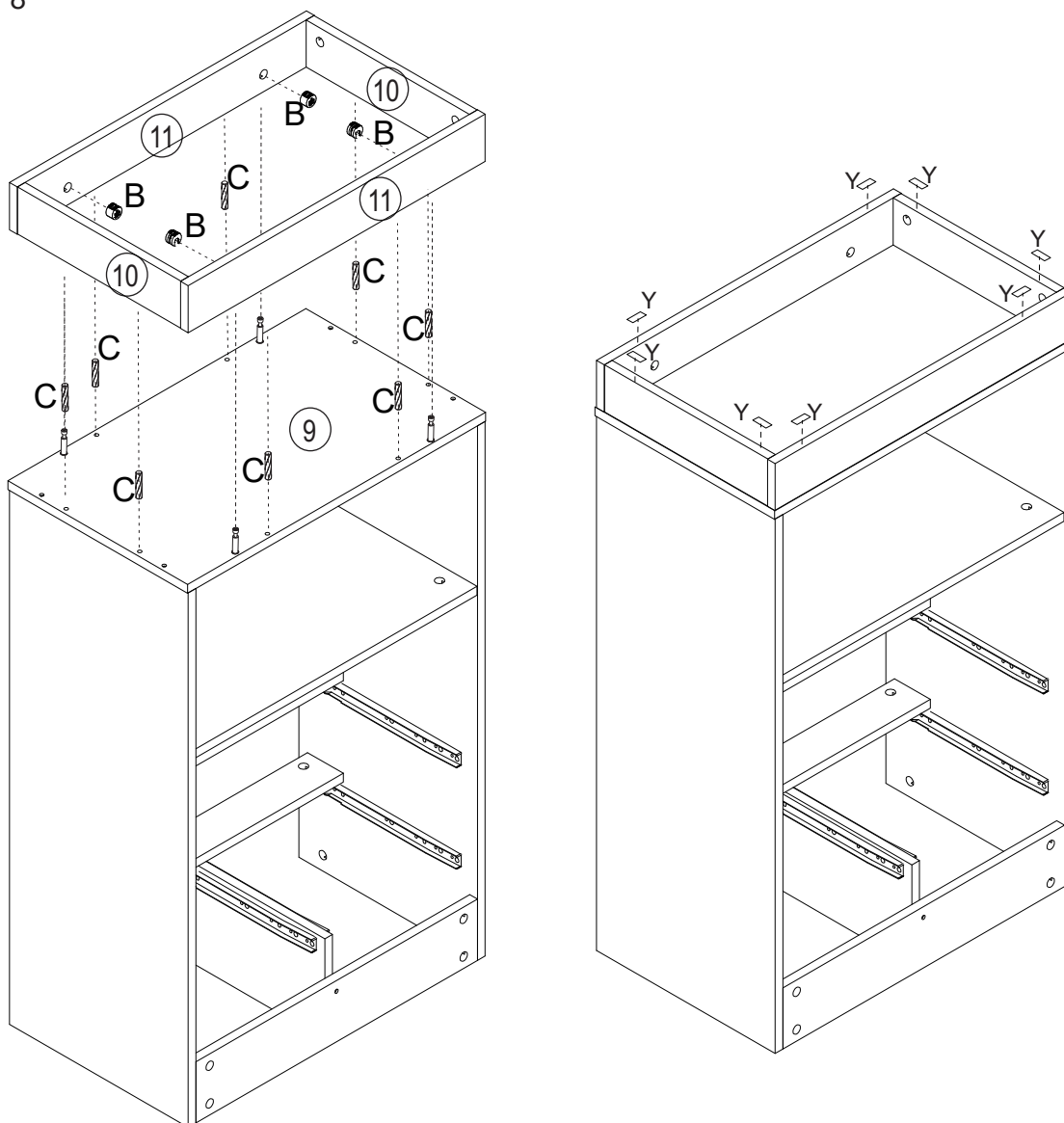


H x 1

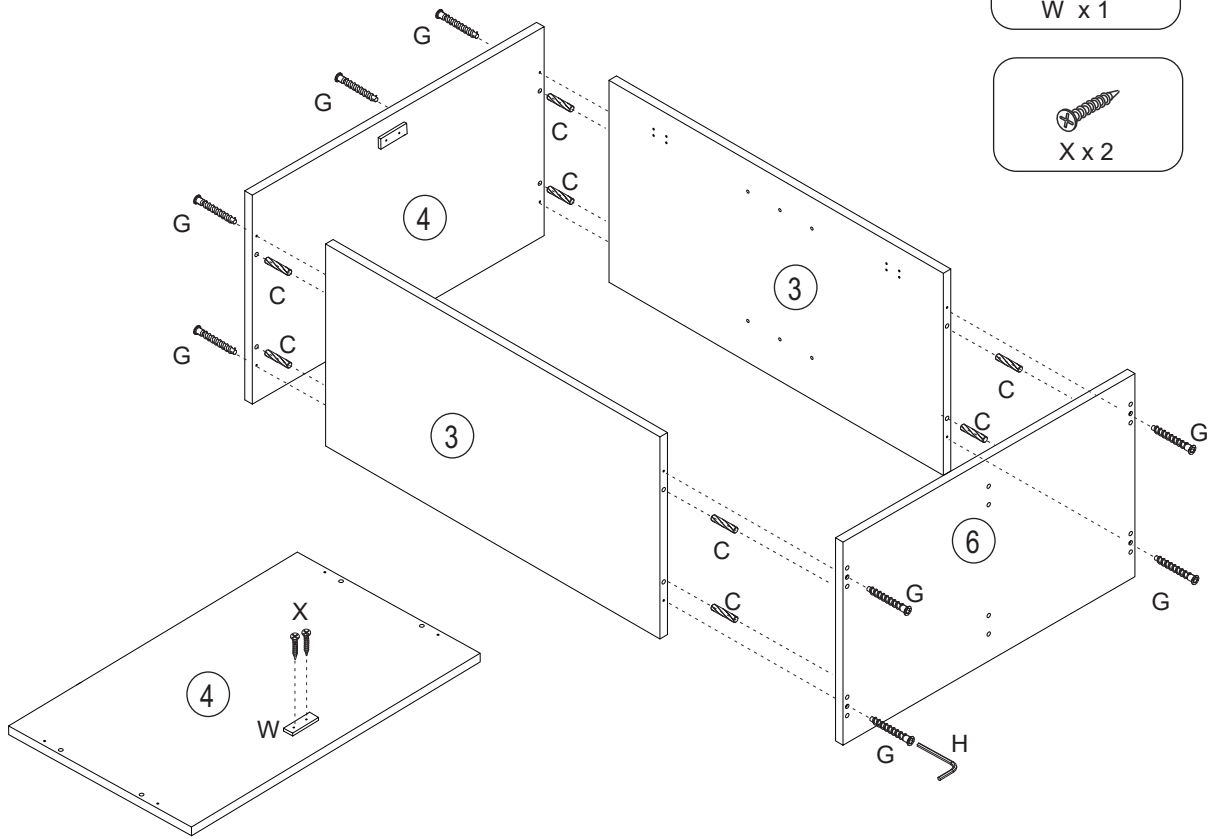
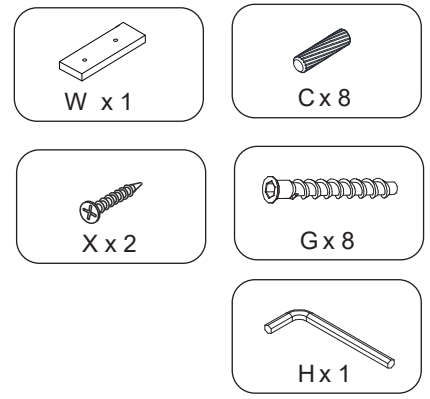
STEP 7



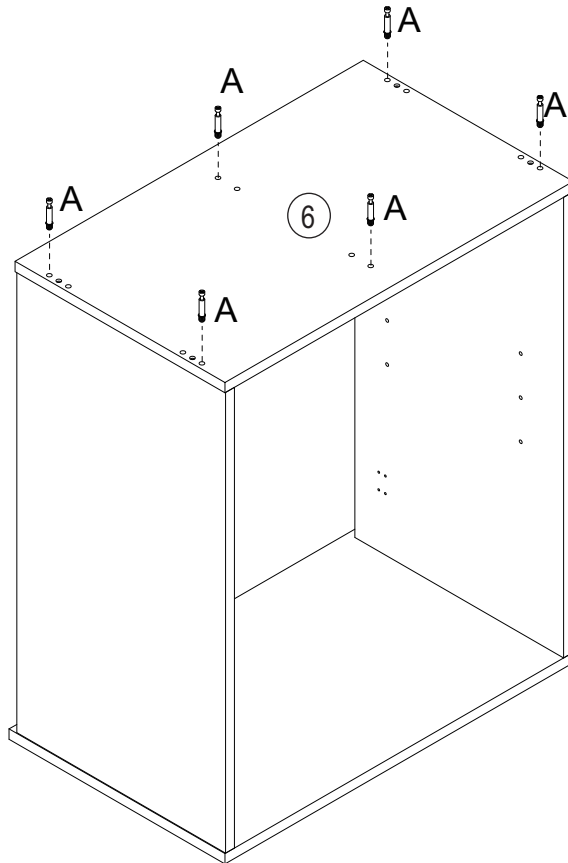
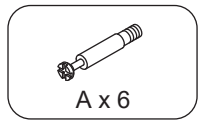
STEP 8



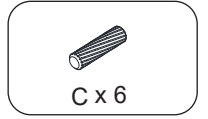
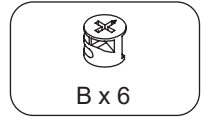
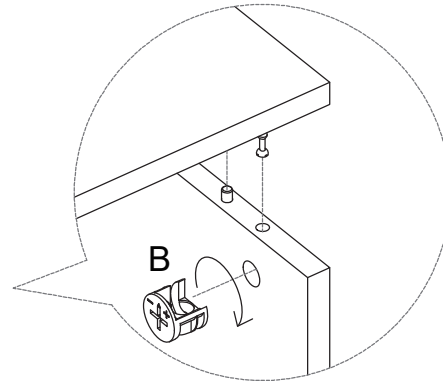
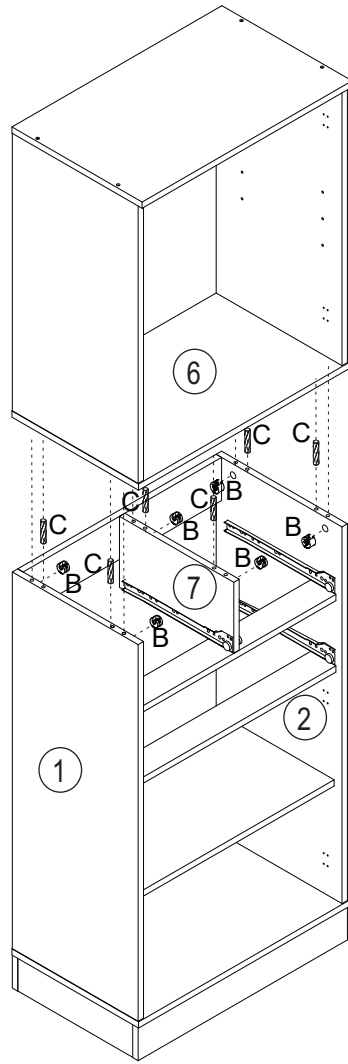
STEP 9



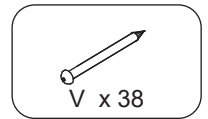
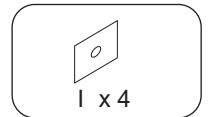
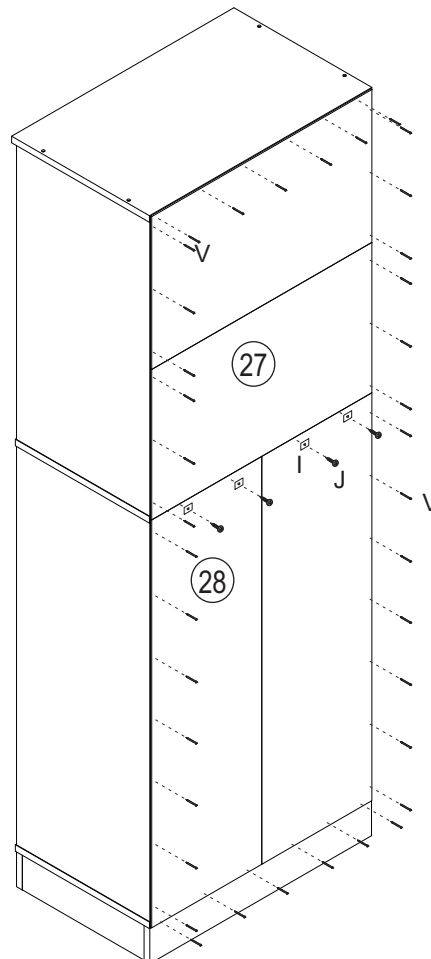
STEP 10



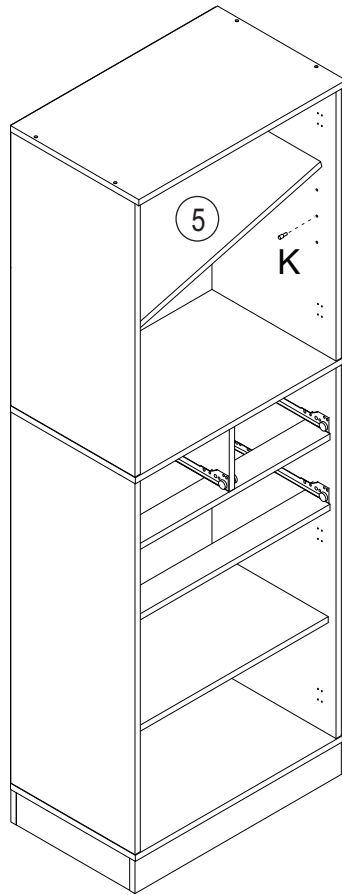
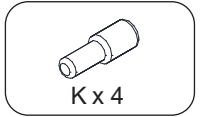
STEP 11



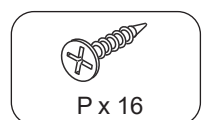
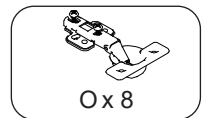
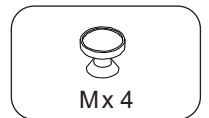
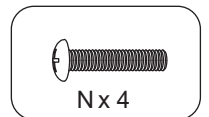
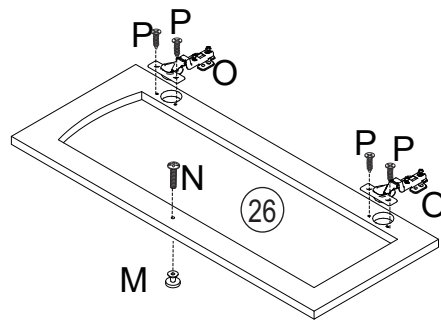
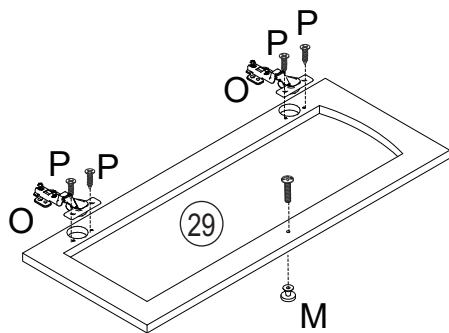
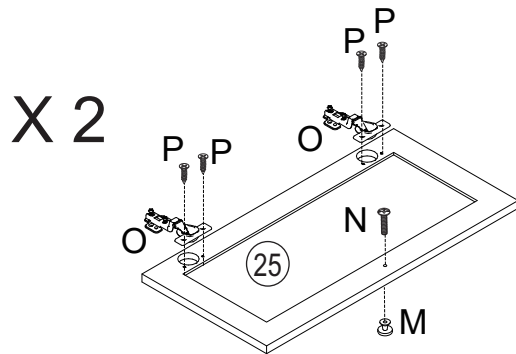
STEP 12



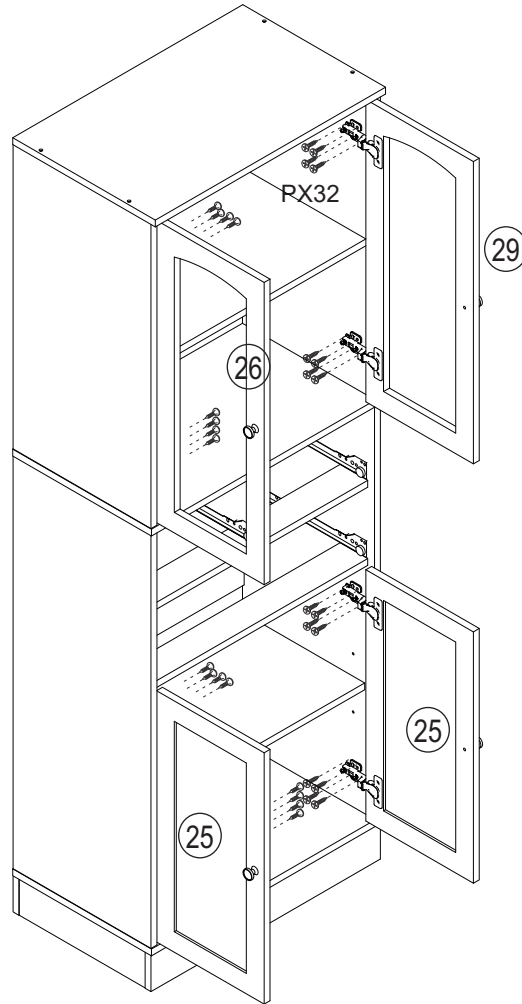
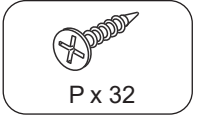
STEP 13



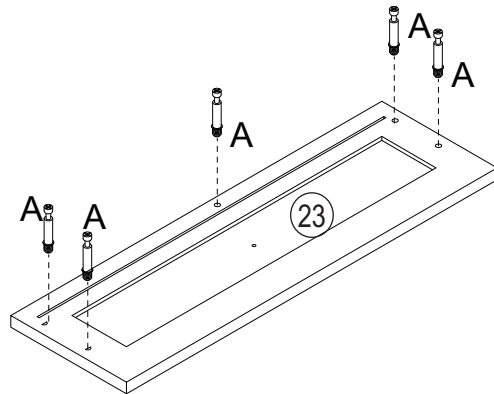
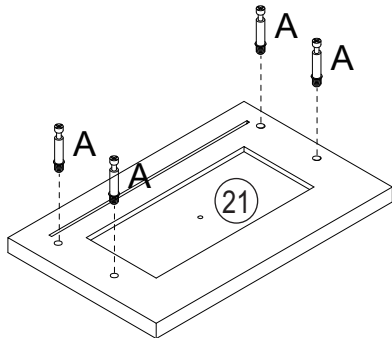
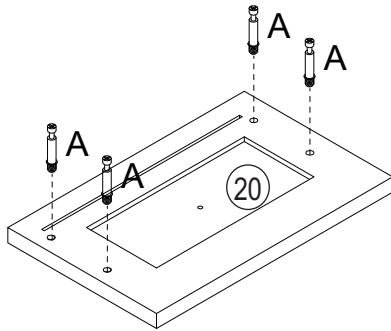
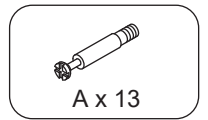
STEP 14



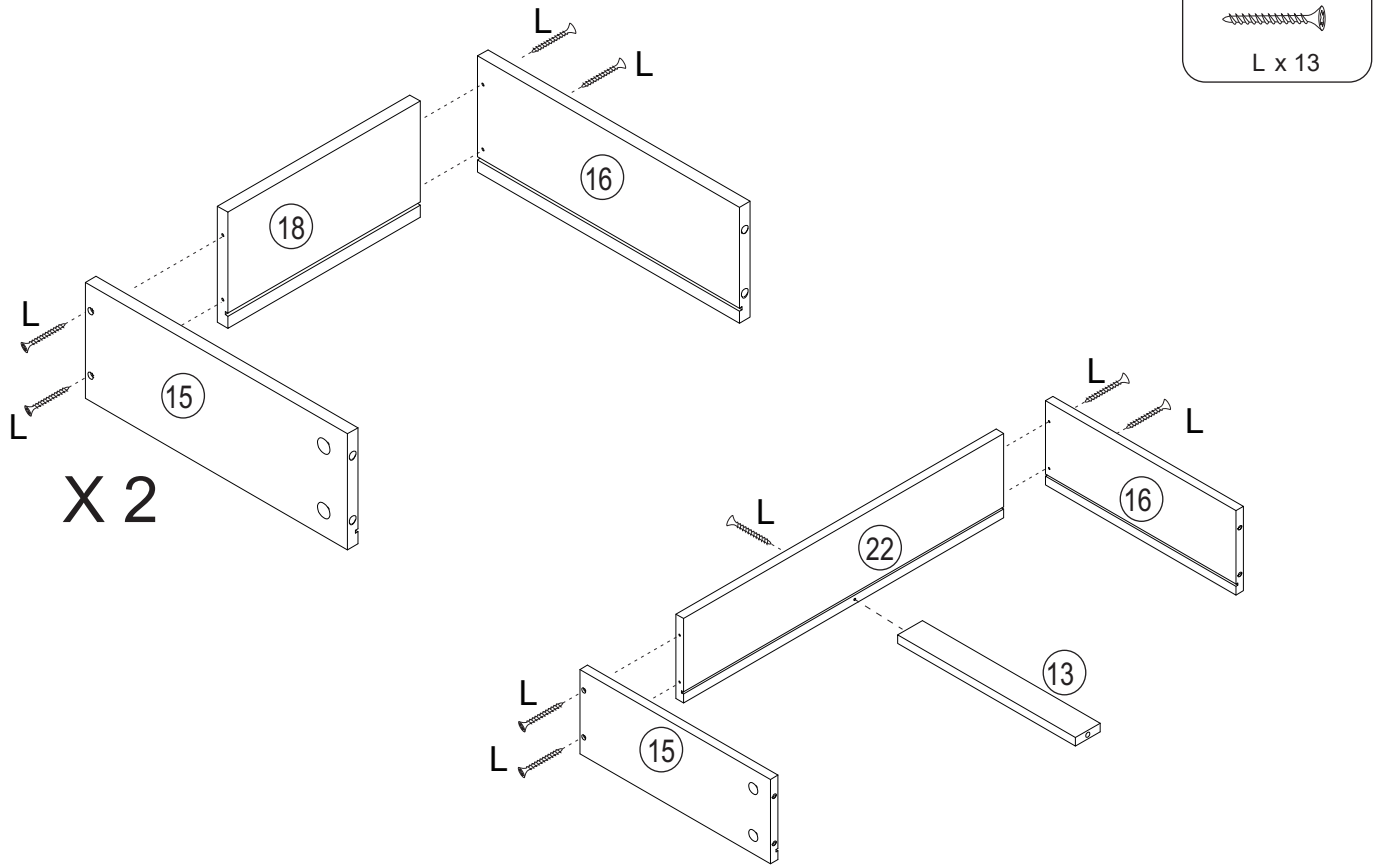
STEP 15



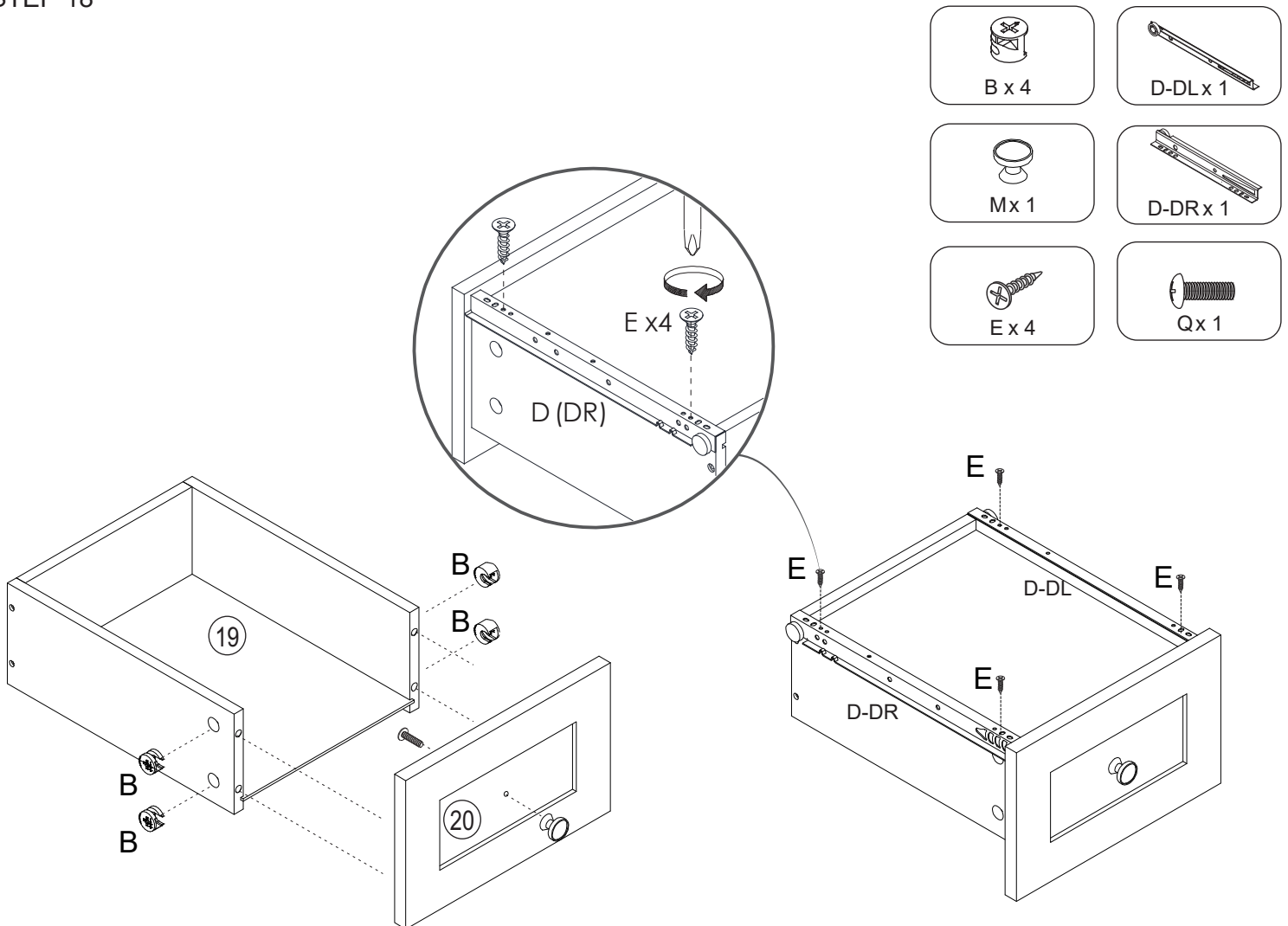
STEP 16



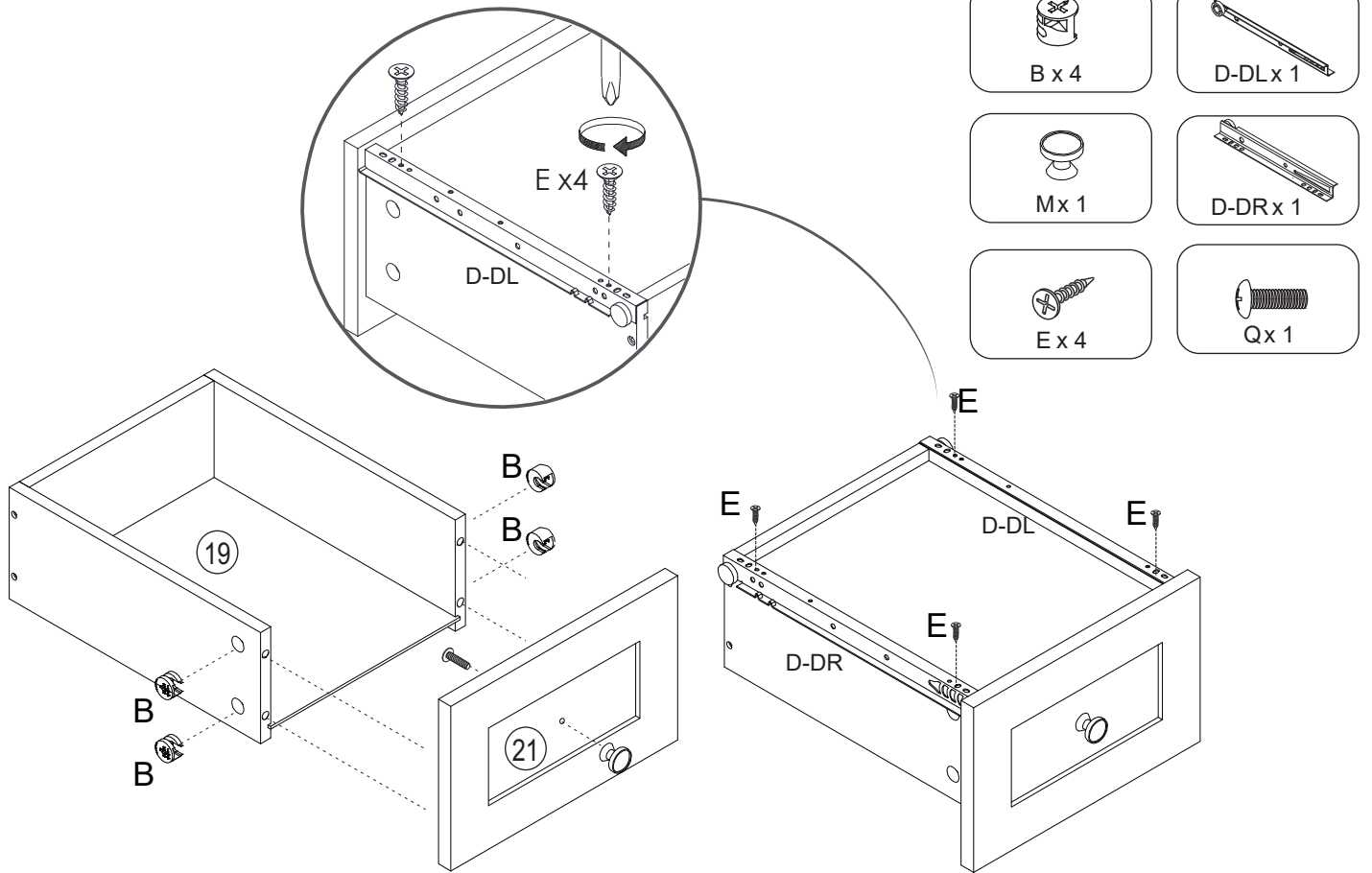
STEP 17



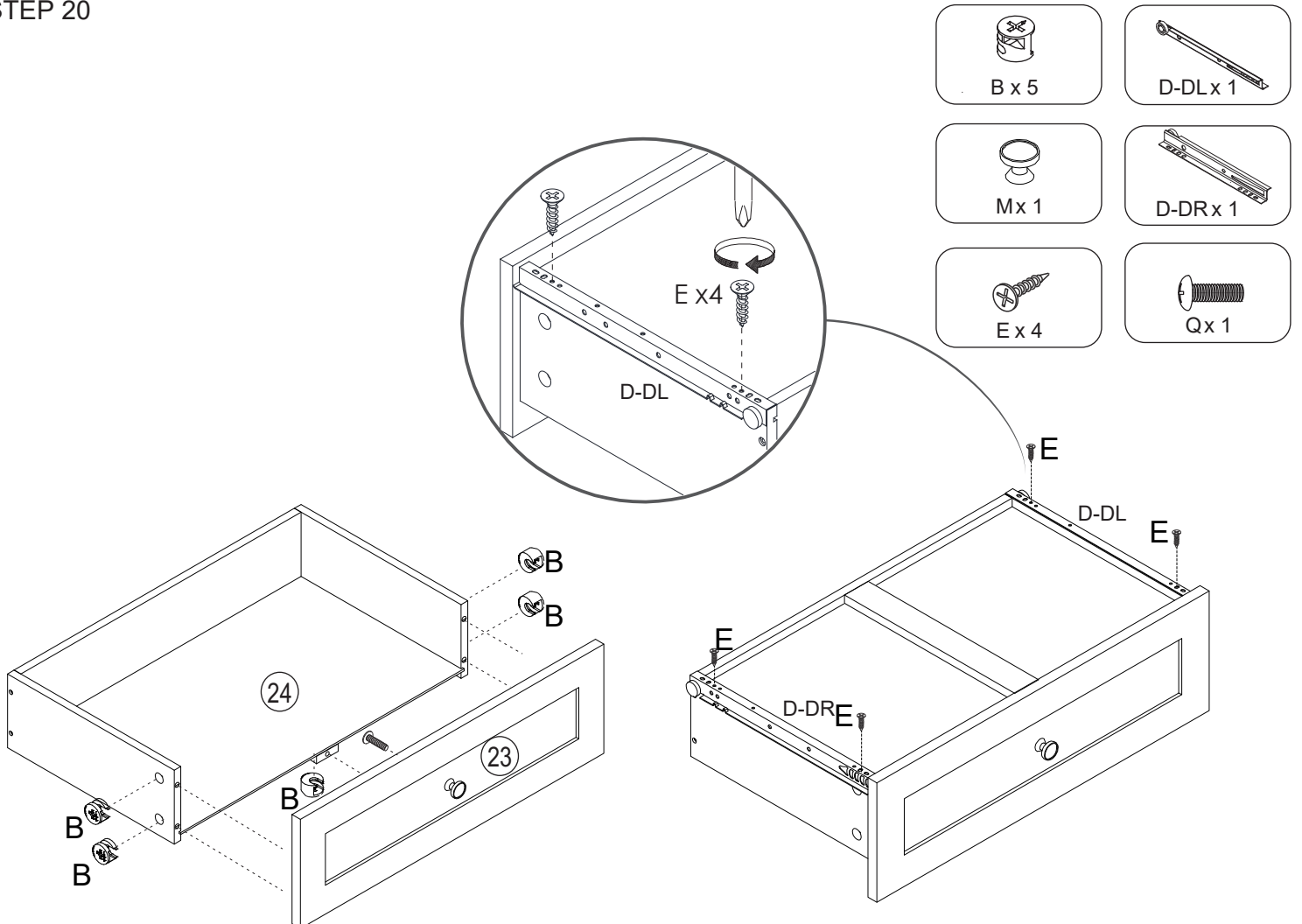
STEP 18



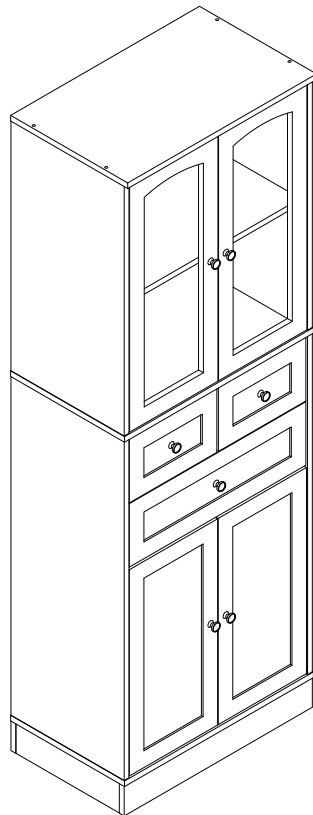
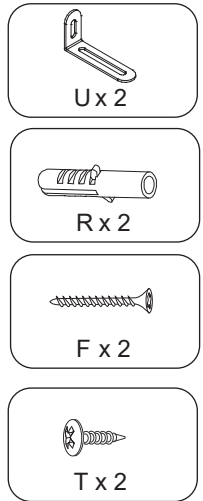
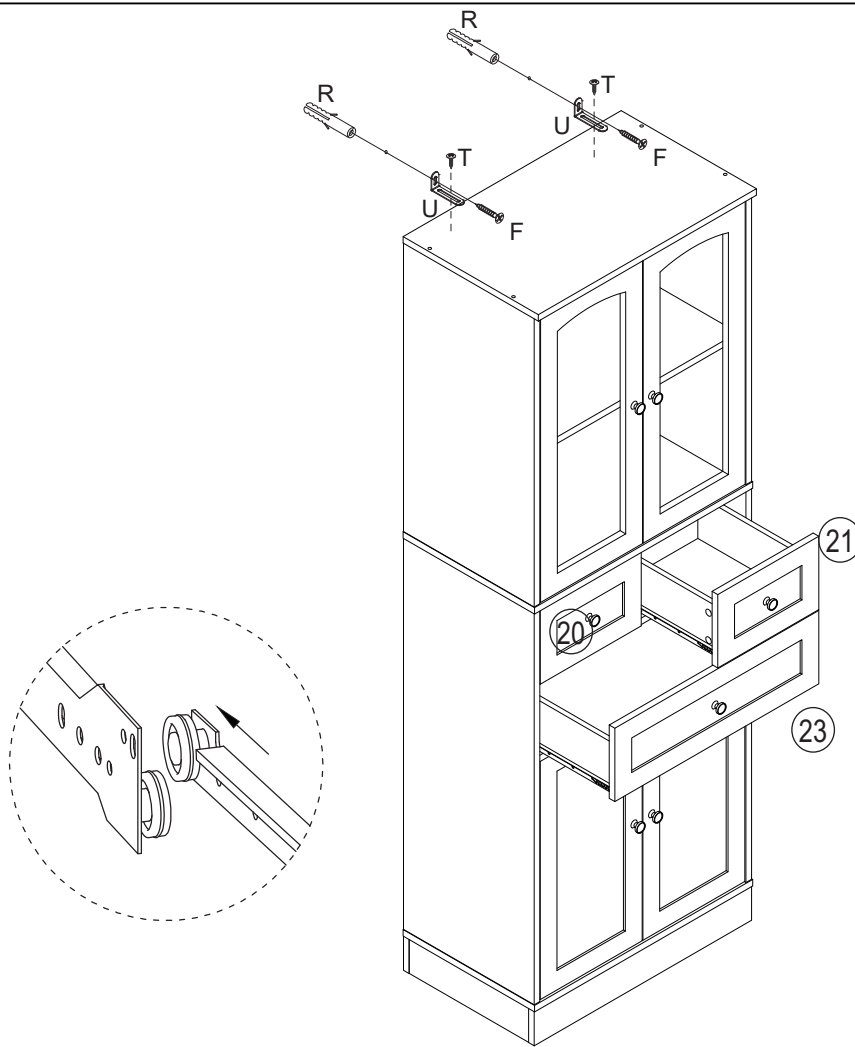
STEP 19



STEP 20



STEP 21



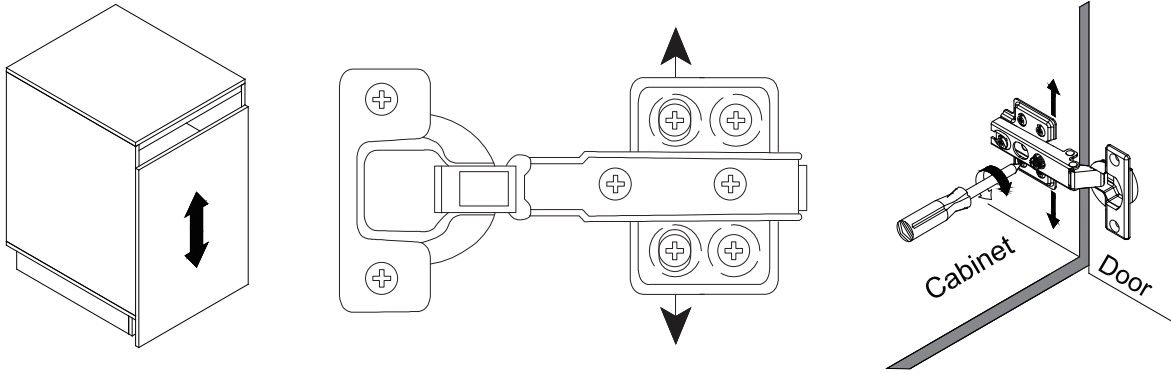
Attention: For safety and stability, we suggest you have to secure the anti-tip accessories to the wall to prevent tipping, injury, and property damage.

Installation Completed

Cabinet Door Adjustment Instructions

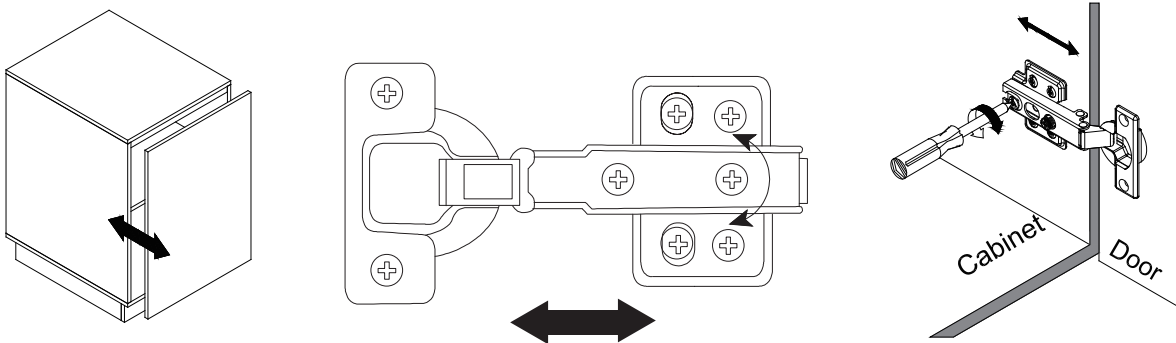
Height adjustment:

- Locate the height adjustment screws on the hinge.
- Use the Phillips screwdriver to either tighten or loosen the screws to raise or lower the cabinet door as desired.



Side-to-side adjustment:

- If the cabinet door needs to be moved closer to or away from the cabinet frame, locate the side-to-side adjustment screws on the hinge.
- Use the Phillips screwdriver to adjust these screws and gradually move the door in the desired direction.



Depth adjustment (if applicable):

- Check if the cabinet door needs to be brought closer to or further away from the cabinet frame.
- For-depth adjustment, locate the depth adjustment screws on the hinge.
- Use the Phillips screwdriver to turn these screws clockwise or counterclockwise accordingly.

