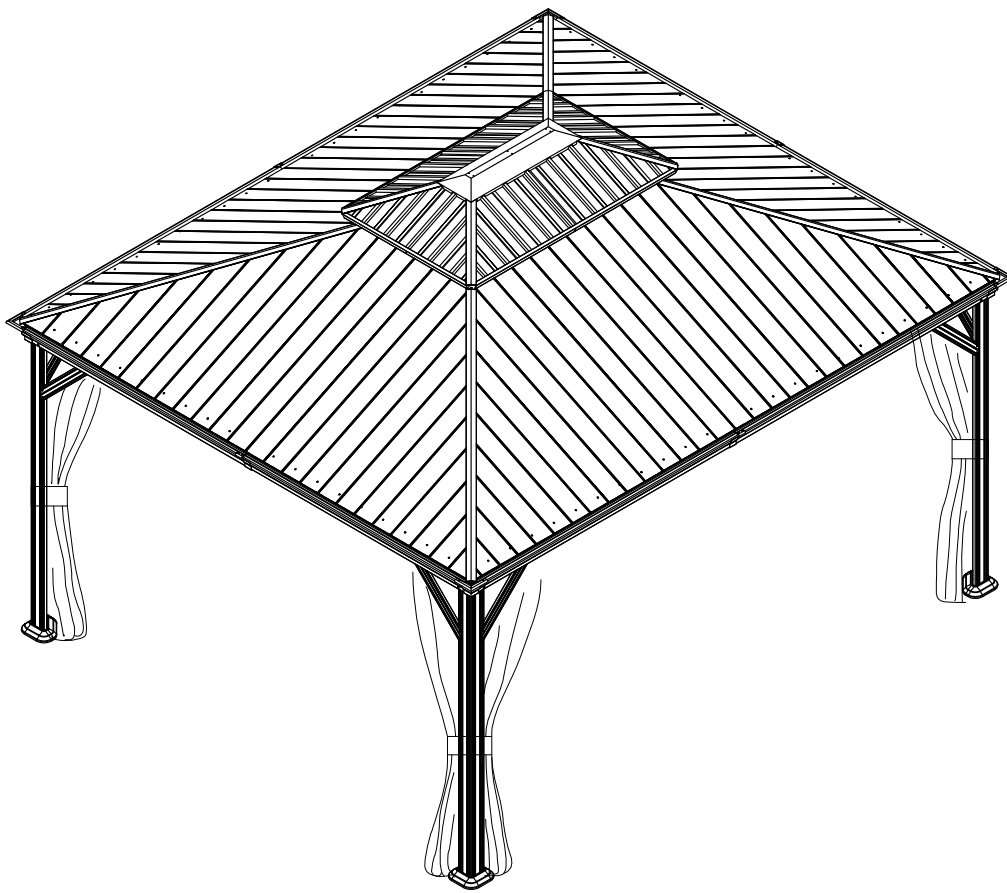




12'x14' Metal Patio Gazebo with Resin Roof **ASSEMBLY MANUAL**



MODEL#:LGMZ1718

Missing part? Damaged? Contact us via email at

service@domioutdoorliving.com

www.domioutdoorliving.com

Pre-assembly



1. Two or more people are required for assembly.



2. You will need one or more stepladders.



3. Wearing protective gloves is recommended.



4. You may need a safety hat.



5. Please use a Phillips screw driver.



6. For ease of construction, you may need a drill.



7. You may need a safety goggle.



8. Do not fully tighten screws prior to complete assembly.

Warning & Attention

-Try to assemble this product on the flat ground, otherwise it is difficult to carry out;

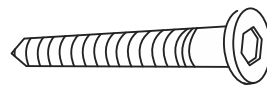
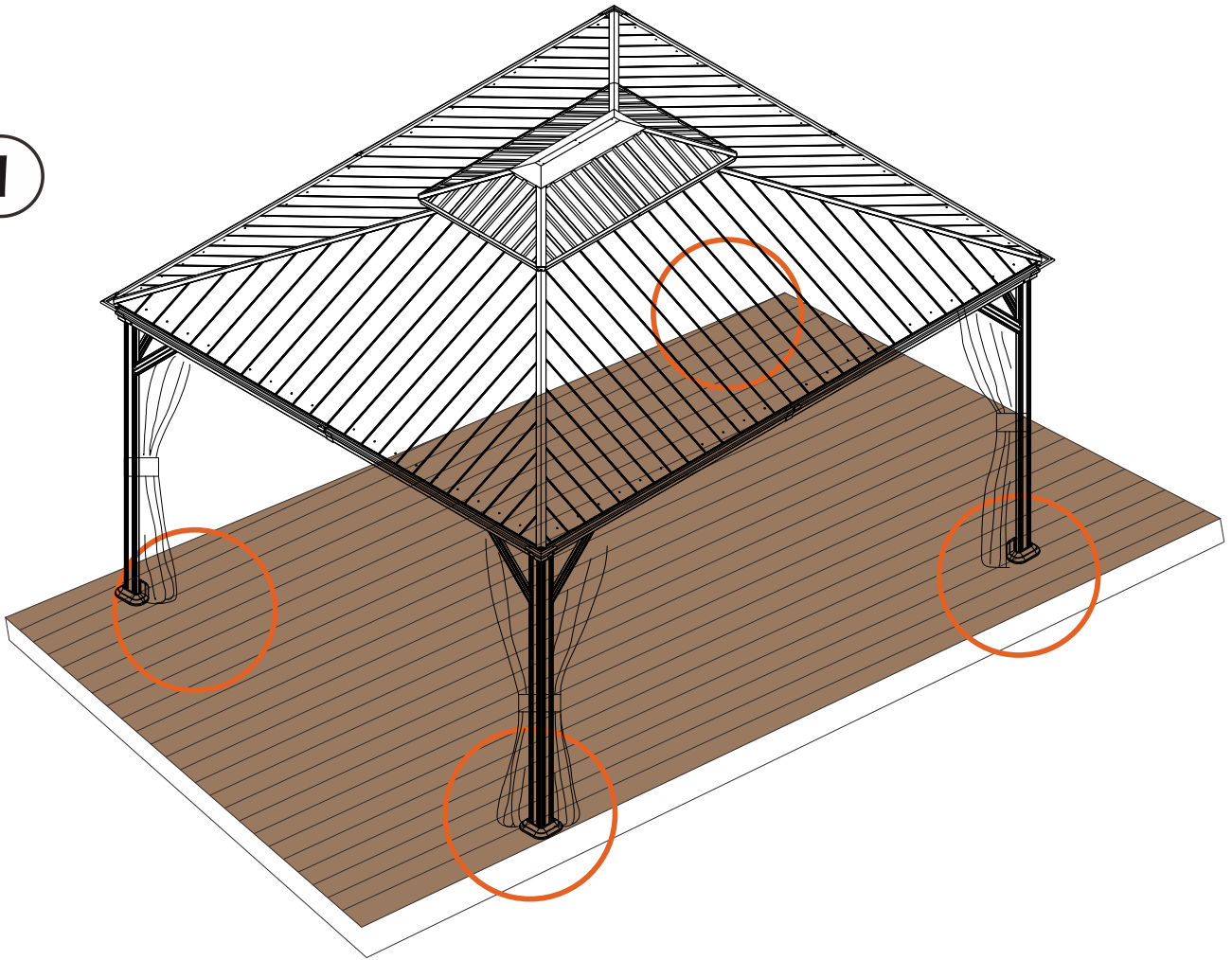
-It would be much easier to assemble the product with three or more people;

-After assembly, please check whether all screws are tightened, to prevent parts from falling apart.

▲ Use bolts to secure the frame to the ground to against the strong wind.

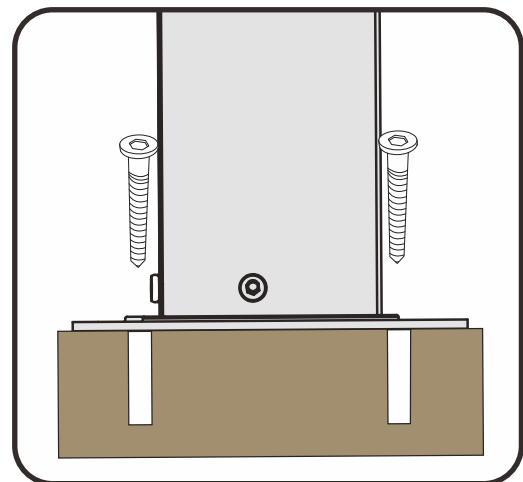
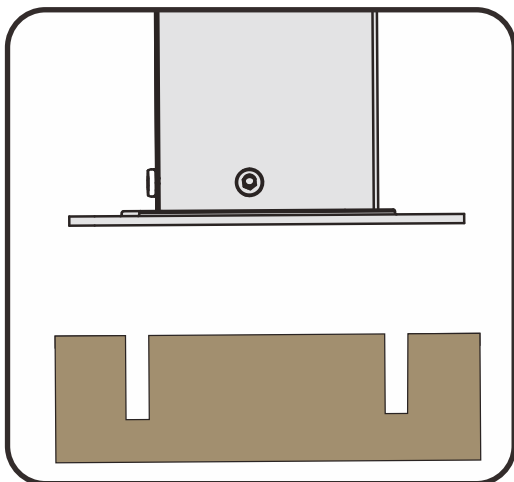
IMPORTANT: A gaze may entail to purchase a municipal permit or be subject to specific building codes. It is the consumer's responsibility to inform themselves of any restrictions.

1

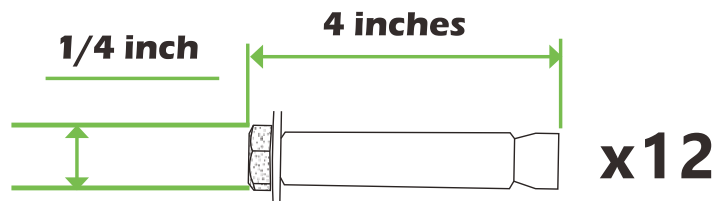
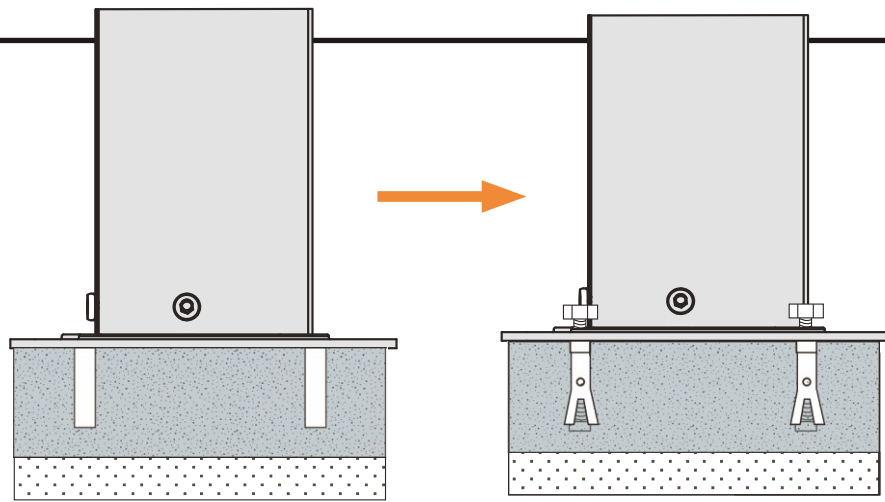


x12

If the deck is hard wood and the depth of it is over 3 inch, you can use **5/16 in. x4 in. Structural Wood Screw** to mount the gazebo.

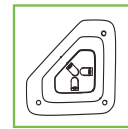
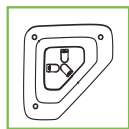


2



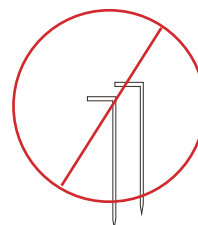
If the ground is concreted and the depth of it is over 3 inch, you can use 1/4 inch expansion bolts to mount the gazebo

3



Or you can make a concrete footing for gazebo, **15×15×15 inches** is recommended. use expansion bolts to mount the pergola like ② shows.

IMPORTANT:
Anchor is not recommended



154.72" (3930mm)

3.46" (88mm)

4.92" (125mm)

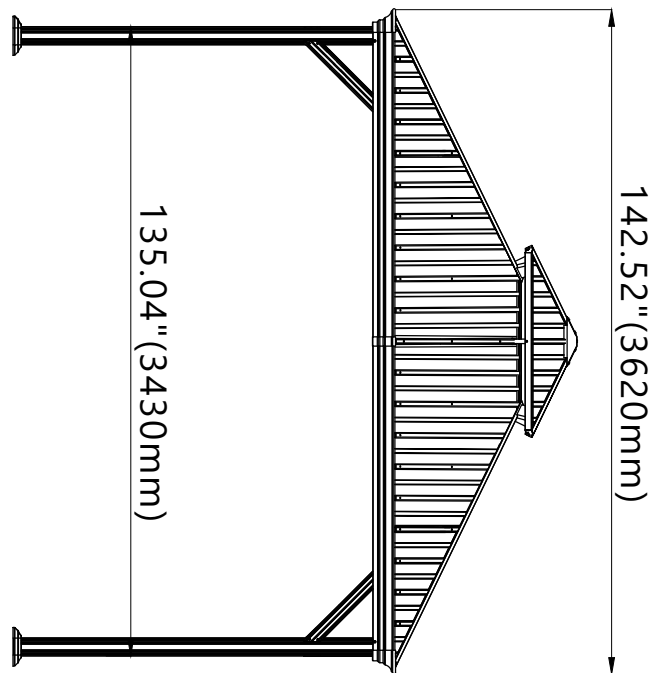
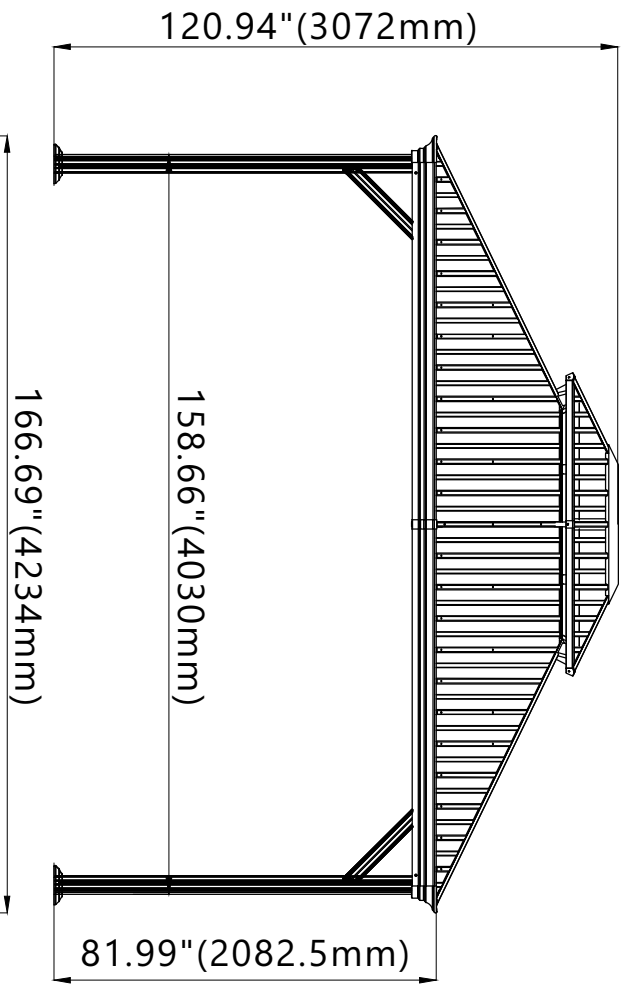
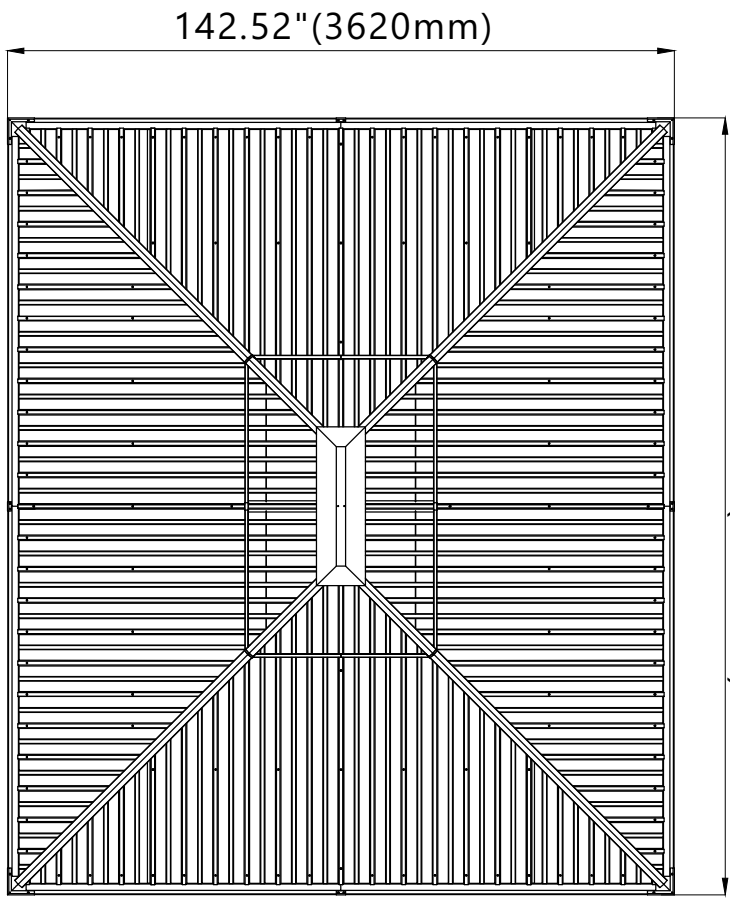
4.92" (125mm)


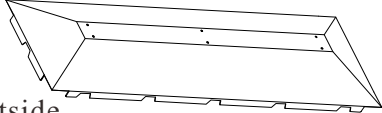

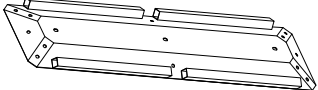

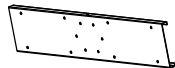




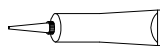





131.10" (3330mm)

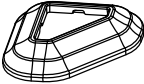
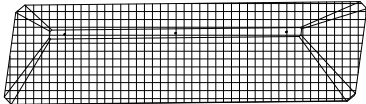
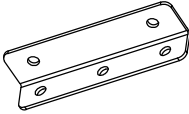



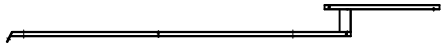
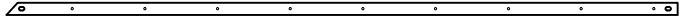
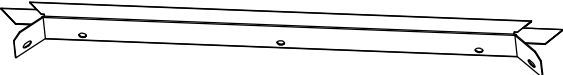
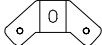

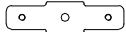
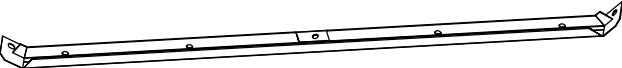

5.12" (130mm)

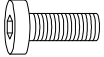

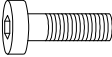
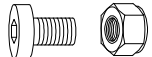
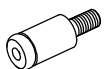
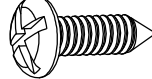

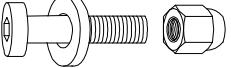
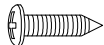
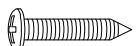
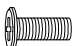

5.12" (130mm)





 <p>Pole 2080MM A (x4)</p>	 <p>Outside Roof Cover 865 MM D (x1)</p>
 <p>Beam 2015MM B (x2)</p>	 <p>Inside Roof Cover 789 MM D1 (x1)</p>
 <p>Beam 2015MM B1 (x2)</p>	 <p>Union Bar 600MM E (x4)</p>
 <p>Beam 1715MM B2 (x2)</p>	 <p>Corner Cover F (x4)</p>
 <p>Beam 1715MM B3 (x2)</p>	 <p>Joint Cover G (x4)</p>
 <p>Track 1883MM C (x2)</p>	 <p>Silicone Sealant H (x1)</p>
 <p>Track 1883MM C1 (x2)</p>	 <p>Corner Solidifying Bar 592MM J1 (x4)</p>
 <p>Track 1583MM C2 (x2)</p>	 <p>Corner Solidifying Bar 592 MM J2 (x4)</p>
 <p>Track 1583MM C3 (x2)</p>	 <p>Base K (x4)</p>

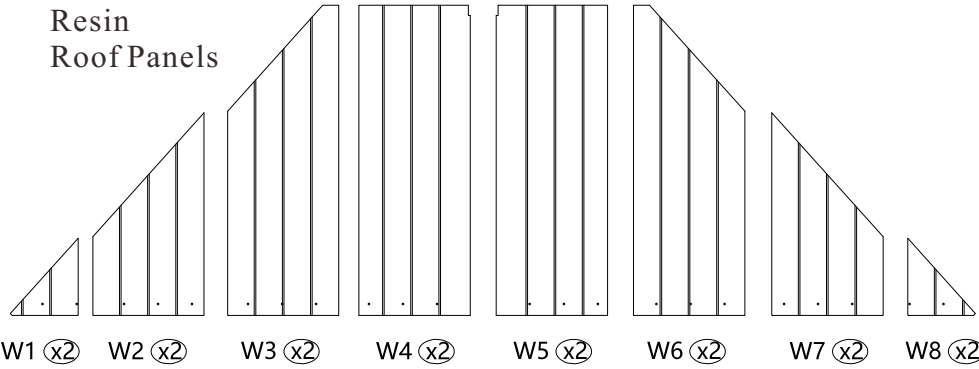
 <p>Base Cover</p> <p>K1 (x4)</p>	 <p>Small Mesh</p> <p>P (x1)</p>
 <p>Bracket</p> <p>K2 (x8)</p>	 <p>Finishing End</p> <p>Q (x8)</p>
 <p>Corner Roof Tube Connector</p> <p>690MM</p> <p>L (x4)</p>	 <p>J-Hook</p> <p>R1 (x2)</p>
 <p>Corner Roof Tube</p> <p>2115MM</p> <p>L1 (x4)</p>	 <p>Solidifying Bar</p> <p>1085 MM</p> <p>U1 (x4)</p>
 <p>Roof Tube</p> <p>1927MM</p> <p>M (x4)</p>	 <p>Solidifying Bar</p> <p>1385 MM</p> <p>U2 (x4)</p>
 <p>Finishing Bar</p> <p>740 MM</p> <p>N (x2)</p>	 <p>Bracket</p> <p>U3 (x4)</p>
 <p>Finishing Bar</p> <p>1340 MM</p> <p>N1 (x2)</p>	 <p>Bracket</p> <p>U4 (x4)</p>
 <p>Finishing Bar</p> <p>1020 MM</p> <p>O1 (x2)</p>	
 <p>Finishing Bar</p> <p>1620 MM</p> <p>O2 (x2)</p>	

 <p>M6x16</p> <p>1# x185</p>	 <p>4x12</p> <p>10# x16</p>
 <p>M6x20</p> <p>2# x24</p>	 <p>M6x12</p> <p>11# x12</p>
 <p>3# x16</p>	 <p>ST6.3*15</p> <p>12# x12</p>
 <p>Plastic Hooks</p> <p>4# x120</p>	
 <p>M6x28</p> <p>5# x80</p>	
 <p>ST4.8x30</p> <p>6# x32</p>	
 <p>ST4.8x35</p> <p>7# x64</p>	
 <p>M5x16</p> <p>8# x4</p>	
 <p>ST4.8x13</p> <p>9# x24</p>	

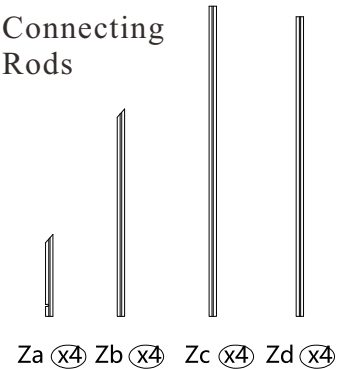
Metal Roof Panels



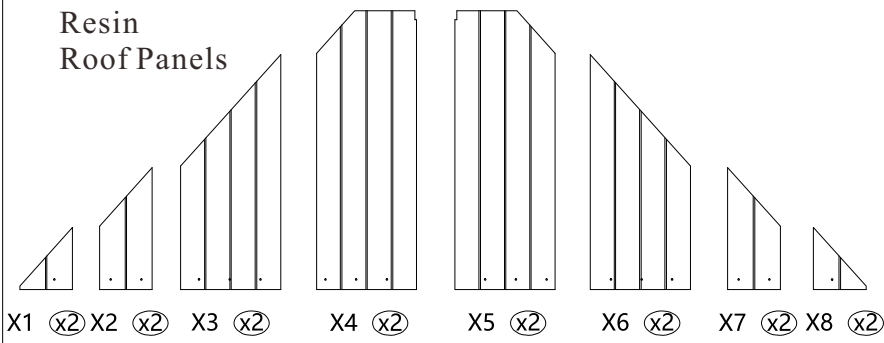
Resin Roof Panels



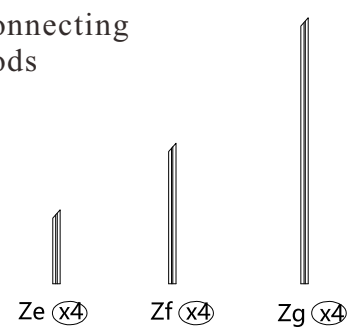
Connecting Rods



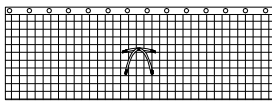
Resin Roof Panels



Connecting Rods

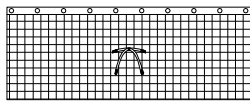


Y1 (x2)



Mosquito Netting

Y2 (x2)



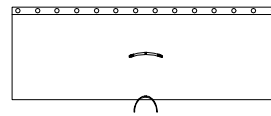
Mosquito Netting

Yb (x4)



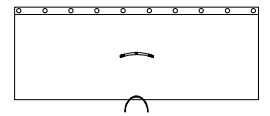
Strap

Y1a (x2)



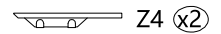
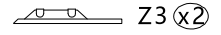
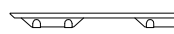
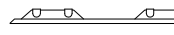
Curtain

Y2a (x2)

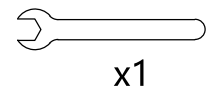
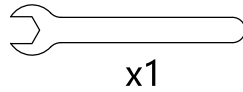
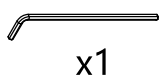


Curtain

Plastic Clips

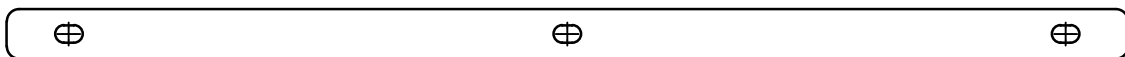


Wrench



Plastic Bar

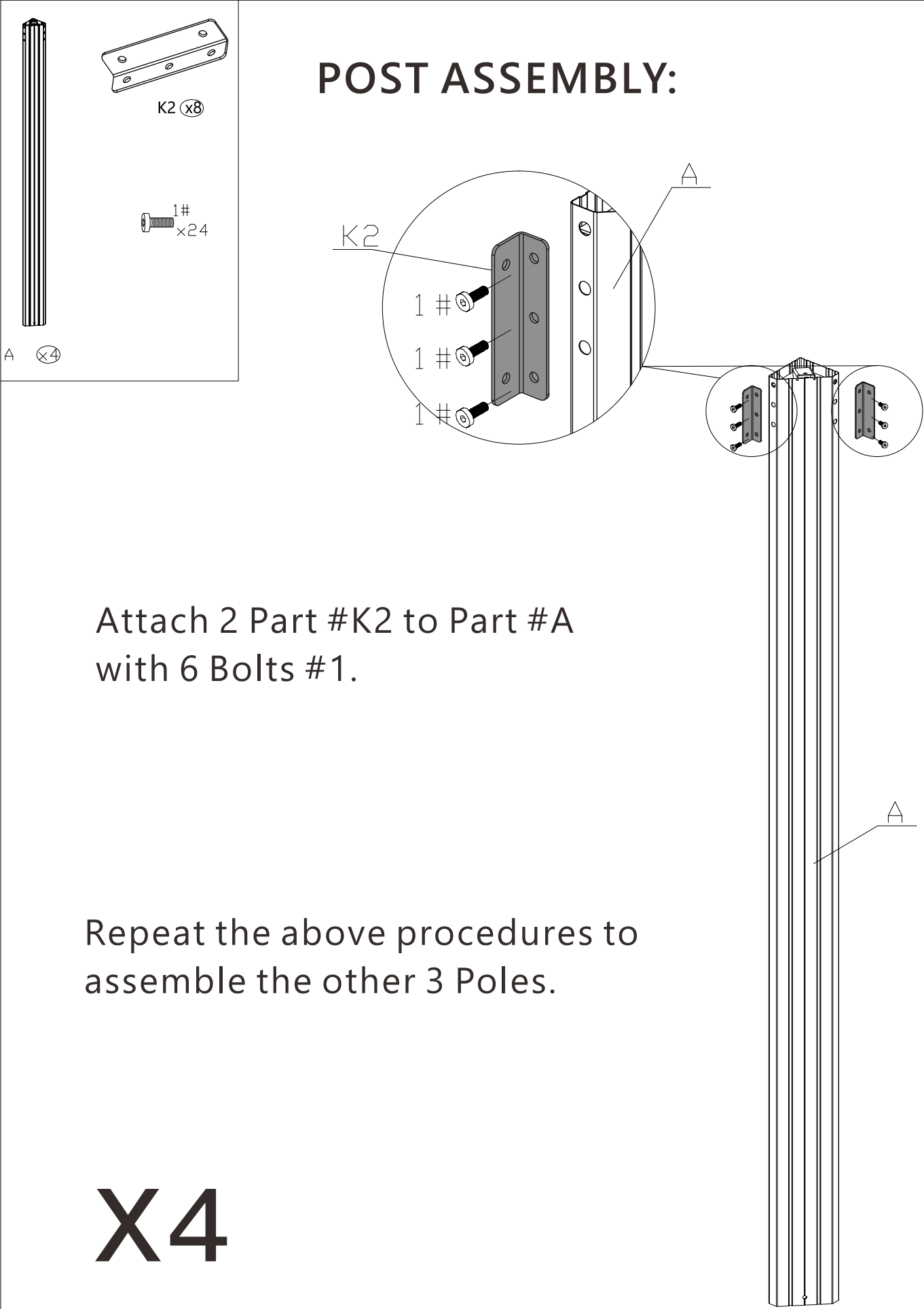
Pa (x2)



Plastic Bar

Pb (x2)

POST ASSEMBLY:



Attach 2 Part #K2 to Part #A with 6 Bolts #1.

Repeat the above procedures to assemble the other 3 Poles.

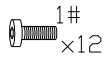
X4



K ⊗4



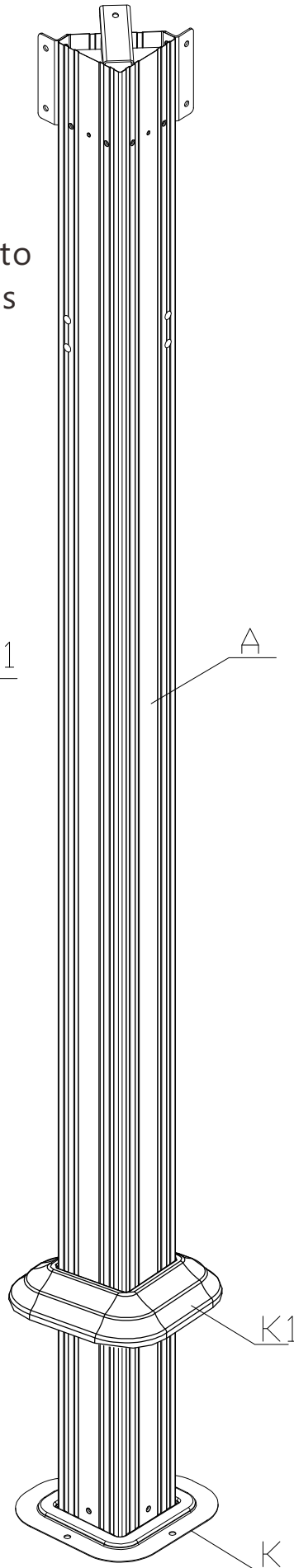
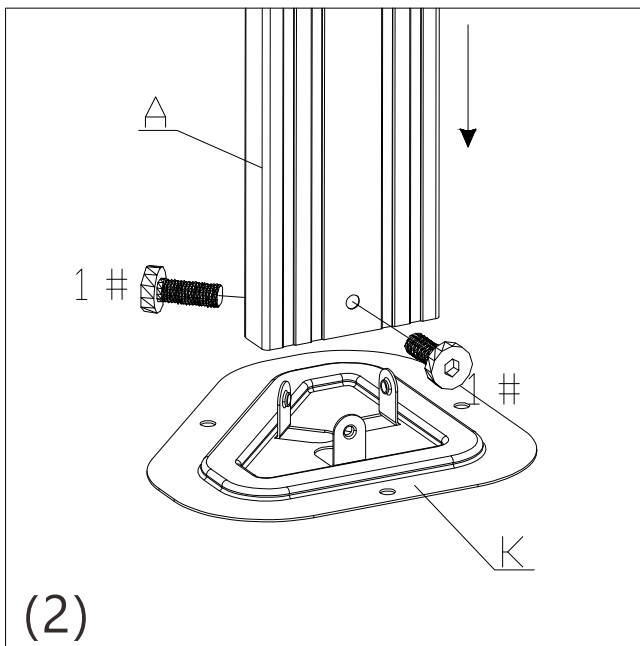
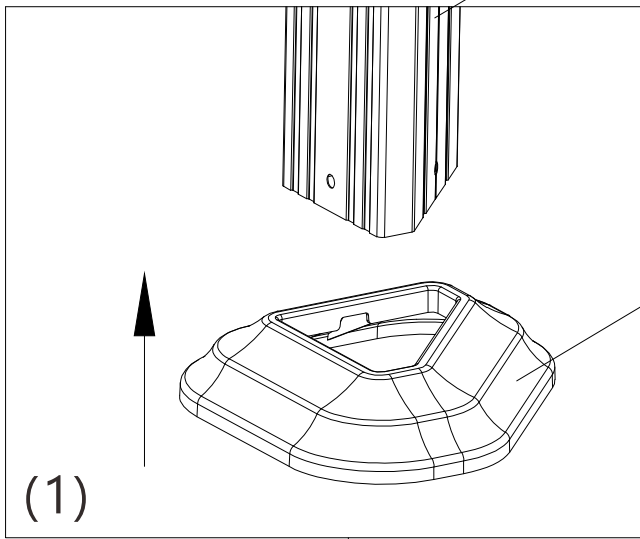
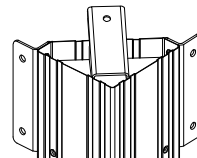
K1 ⊗4



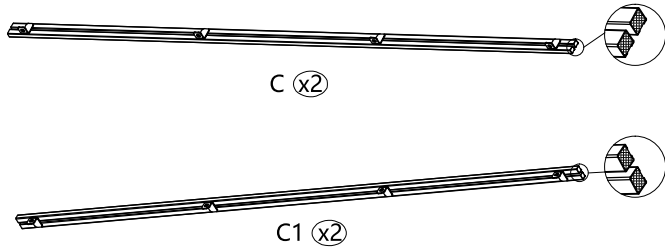
1#
x12

(1) Put on Base
Cover #K1 first

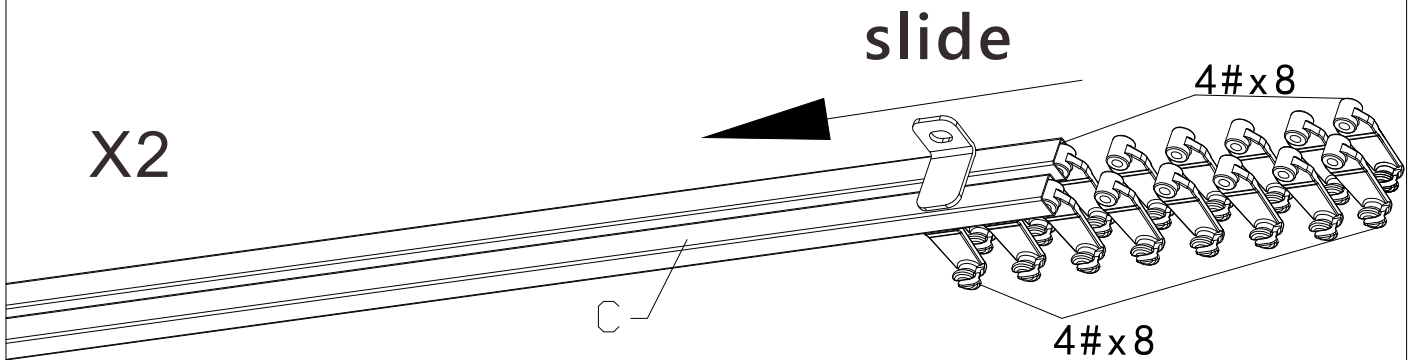
(2) Attach Base #K to
Pole #A with 3 Bolts
#1.



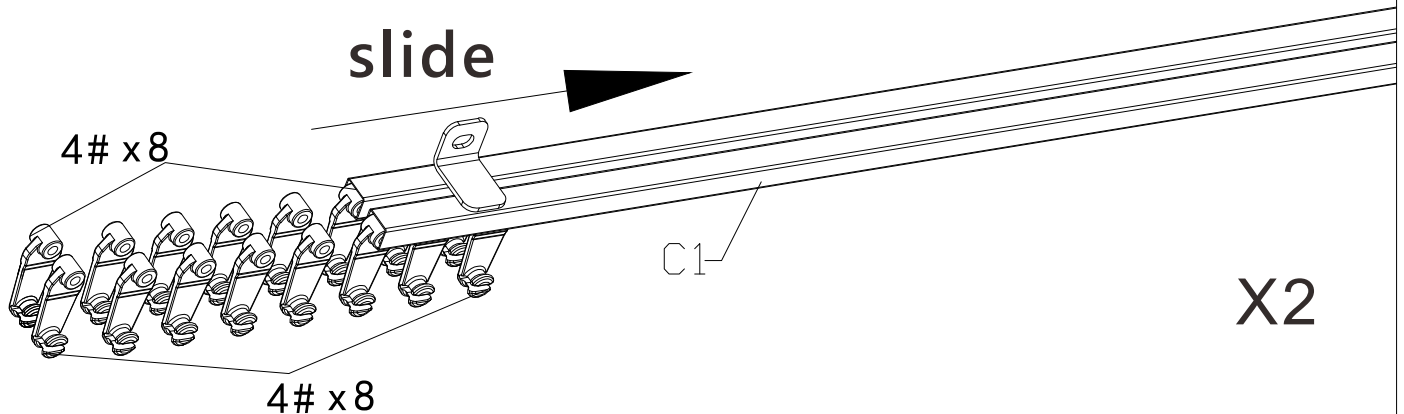
X4

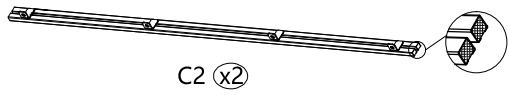


- (1) Slide the Plastic Hooks #4 to the double-rail track #C (each slot should slide 8 plastic hooks).
- (2) Repeat the above procedures for the other track C.

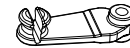


- (1) Slide the Plastic Hooks #4 to the double-rail track #C1 (each slot should slide 8 plastic hooks).
- (2) Repeat the above procedures for the other track C1.

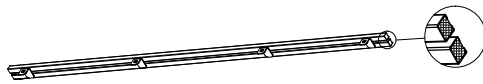




C2 (x2)

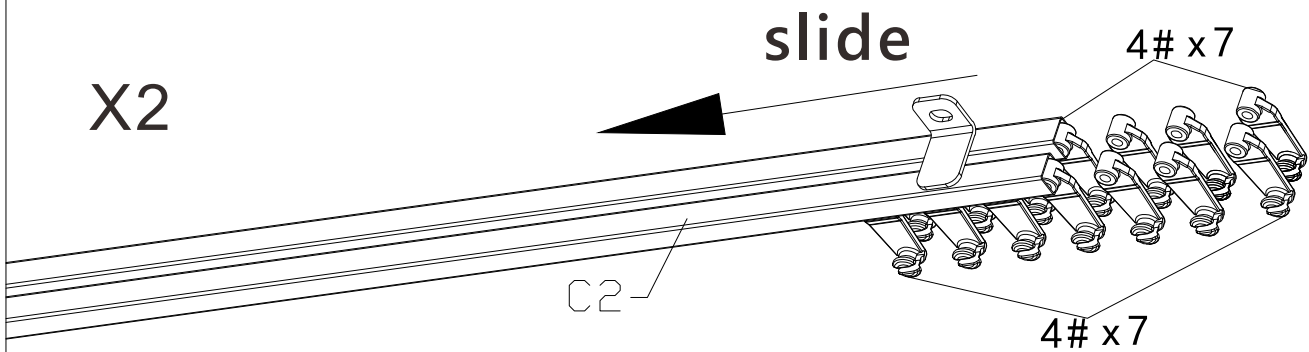


4#
x56

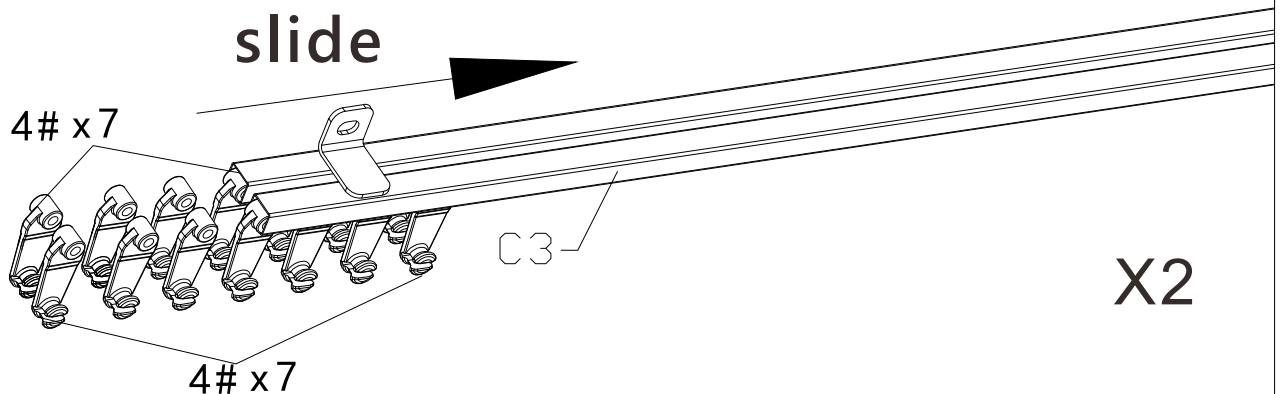


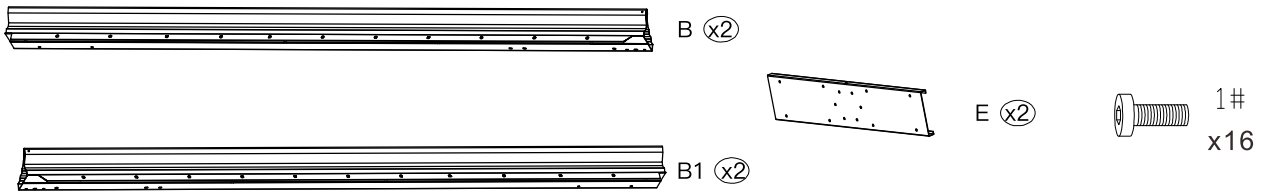
C3 (x2)

- (1) Slide the Plastic Hooks #4 to the double-rail track #C2 (each slot should slide 7 plastic hooks).
- (2) Repeat the above procedures for the other track C2.

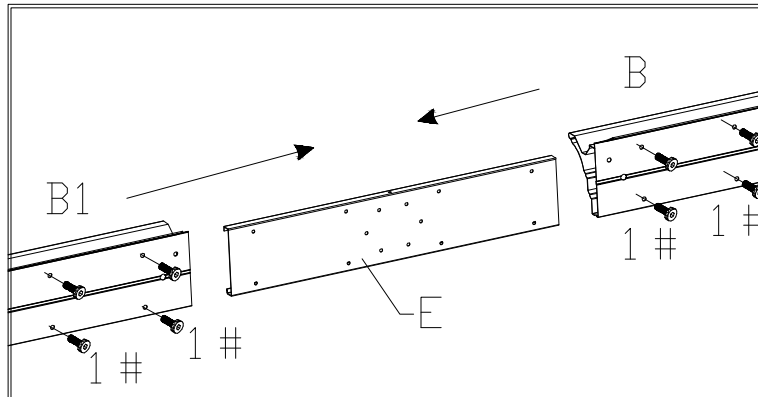


- (1) Slide the Plastic Hooks #4 to the double-rail track #C3 (each slot should slide 7 plastic hooks).
- (2) Repeat the above procedures for the other track C3.



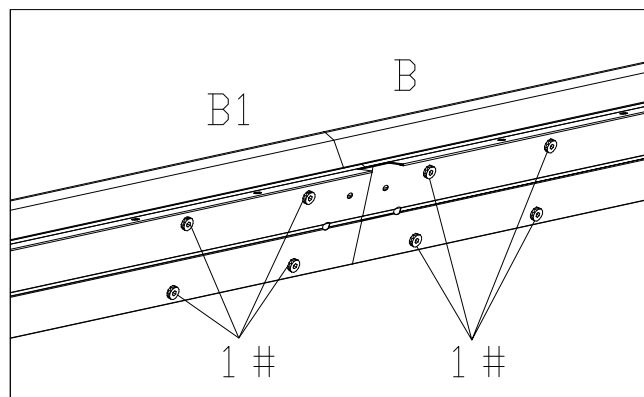


BEAM ASSEMBLY:

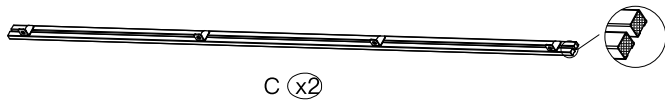


- (1) Insert Part #E into Part #B1, and secure with 4 Bolts #1.
- (2) Insert the other side of Part #E into Part #B and secure with 4 Bolts #1.

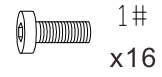
Repeat the above procedures to assemble the other Part #B1 and #B.



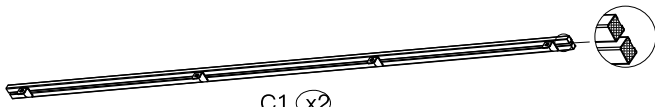
TIPS: It's a normal situation that there's a gap between the 2 beams, please use silicone sealant (part #H) and Joint Cover #G to affix the gap. (see P8)



C (x2)

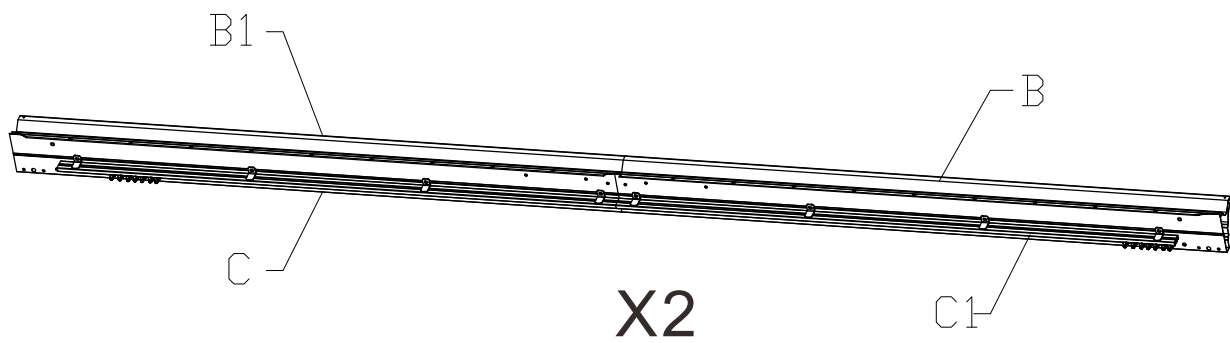
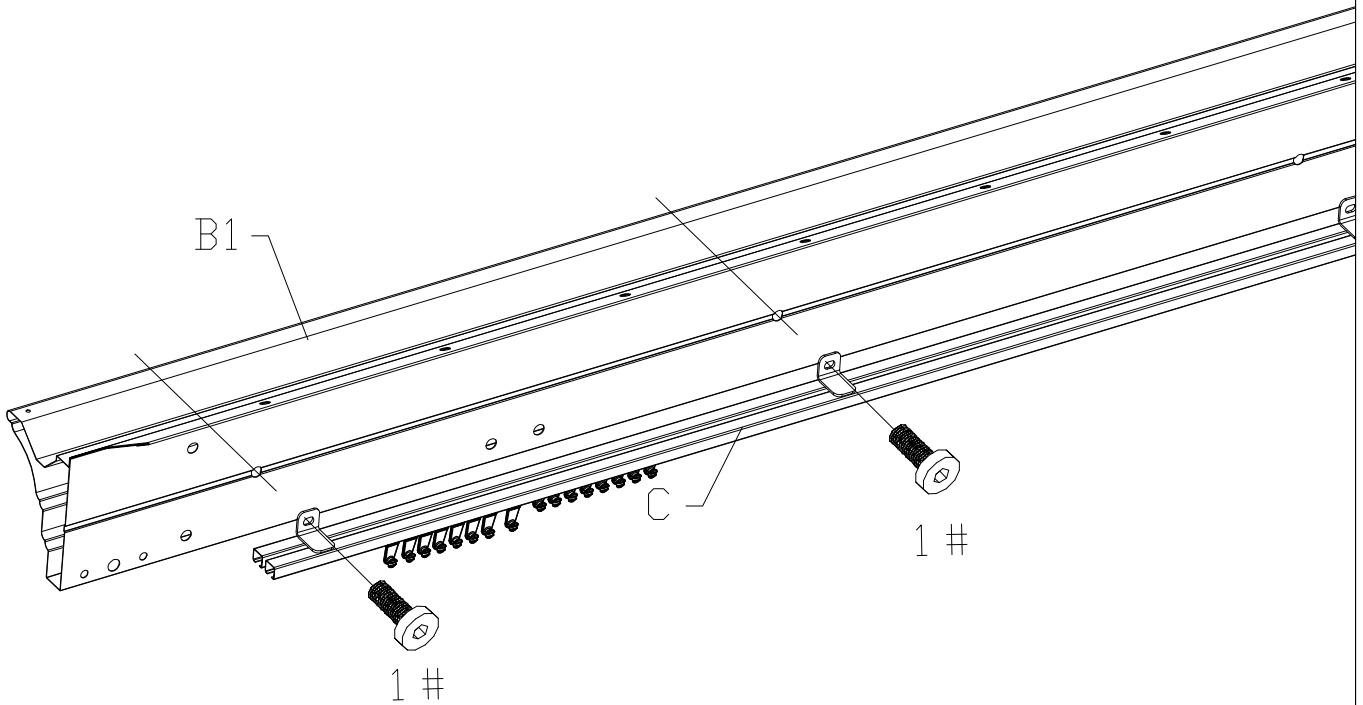


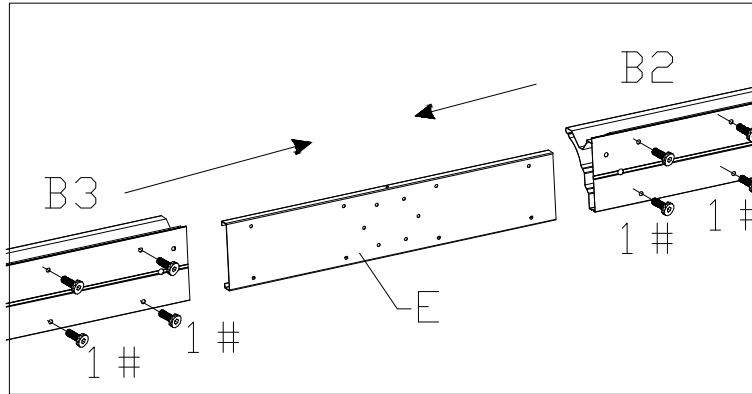
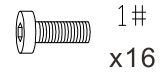
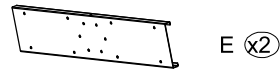
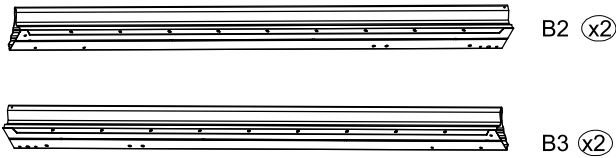
1#
x16



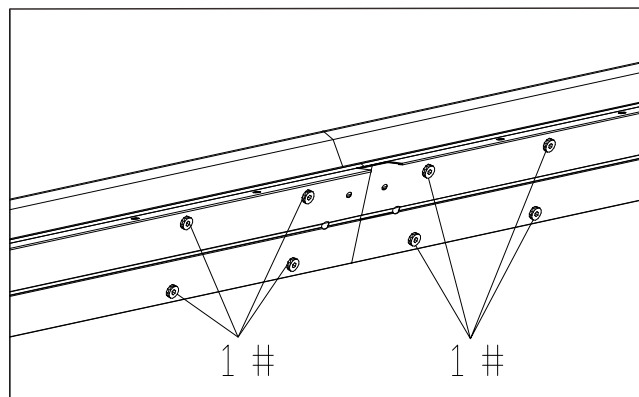
C1 (x2)

(1) Use 8 Bolts #1 to fix the track C & C1 to the beam B1 & B.
Repeat the above procedures for another beam B1 & B.

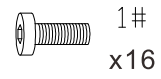
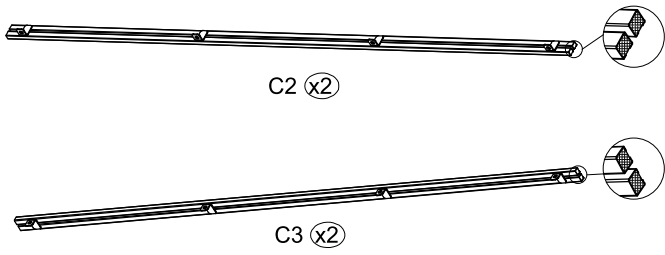




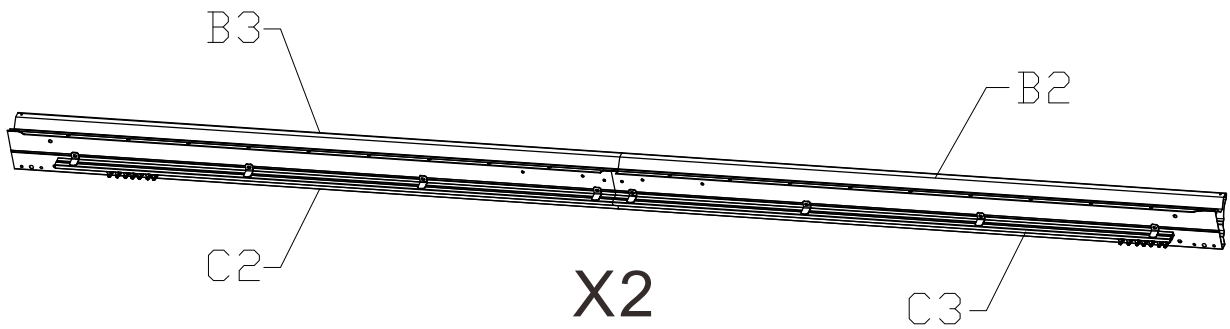
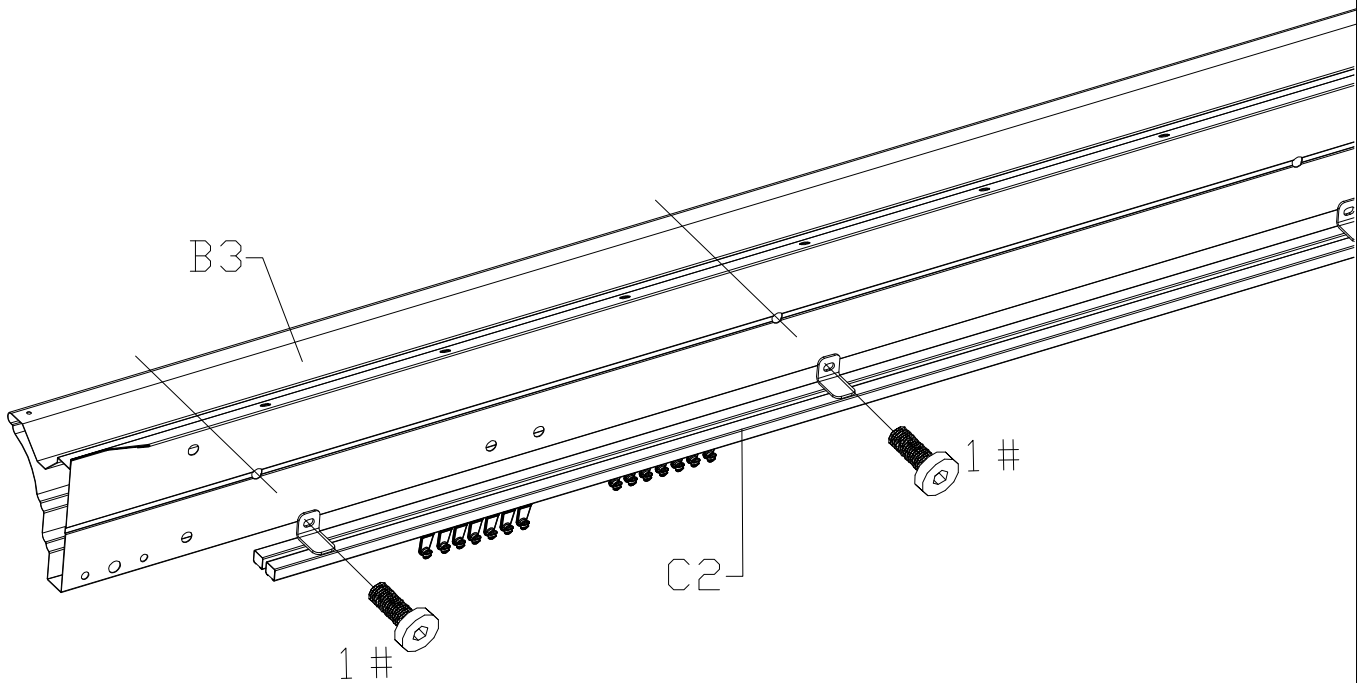
- (1) Insert Part #E into Part #B3, and secure with 4 Bolts #1.
 - (2) Insert the other side of Part #E into Part #B2 and secure with 4 Bolts #1.
- Repeat the above procedures to assemble the other Part #B3 and #B2.



TIPS: It's a normal situation that there's a gap between the 2 beams, please use silicone sealant (part #H) and Joint Cover #G to affix the gap. (see P8)

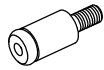


(1) Use 8 Bolts #1 to fix the track C2 & C3 to the beam B3 & B2.
Repeat the above procedures for another beam B3 & B2.





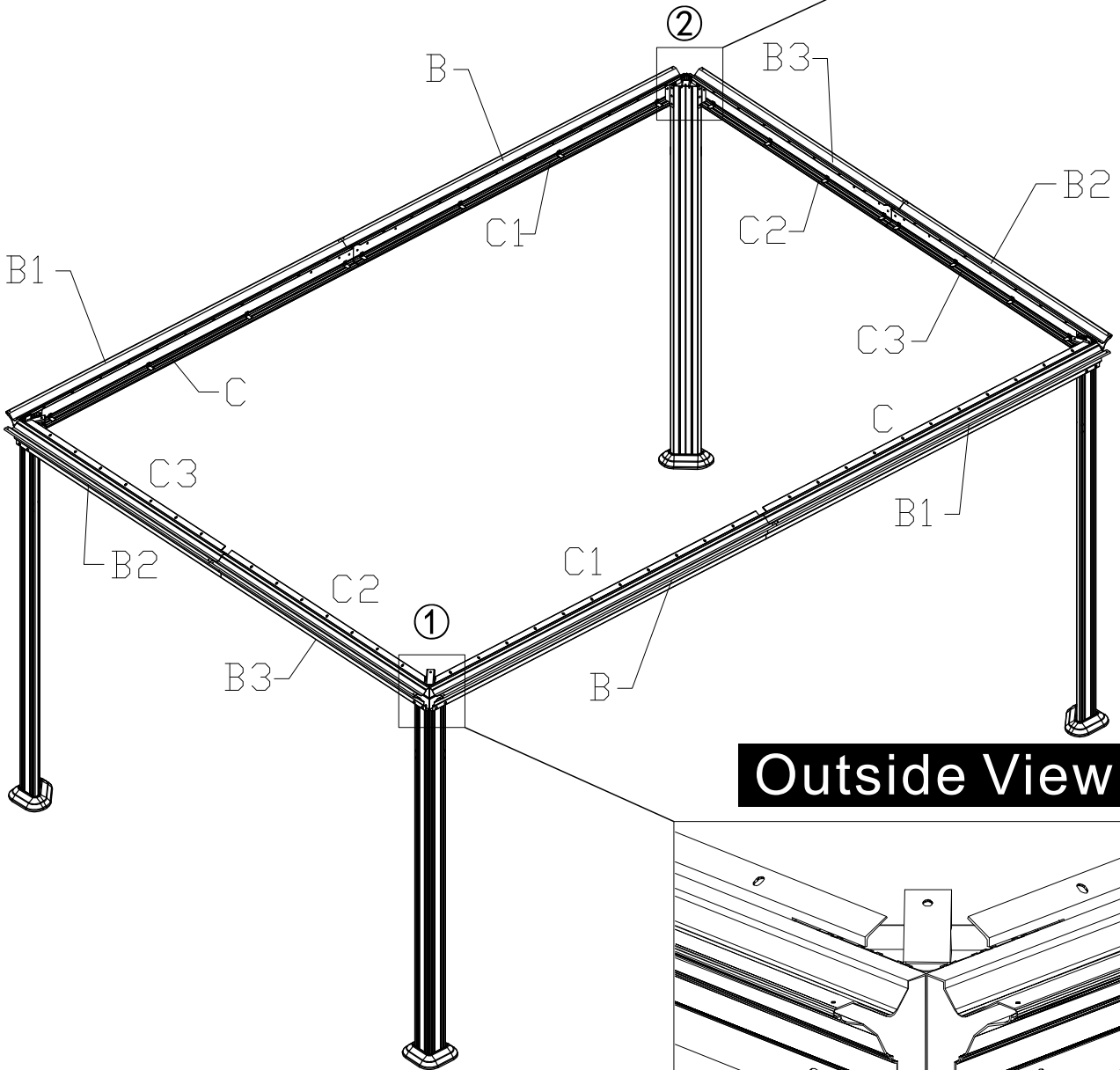
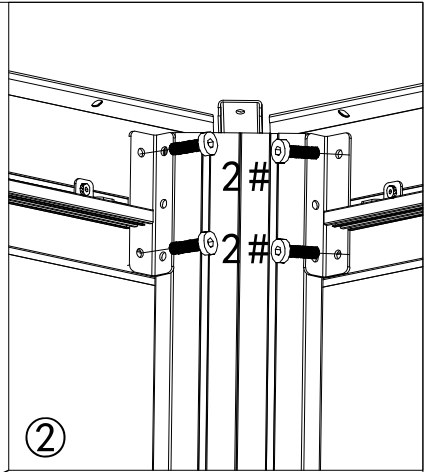
2#
x16



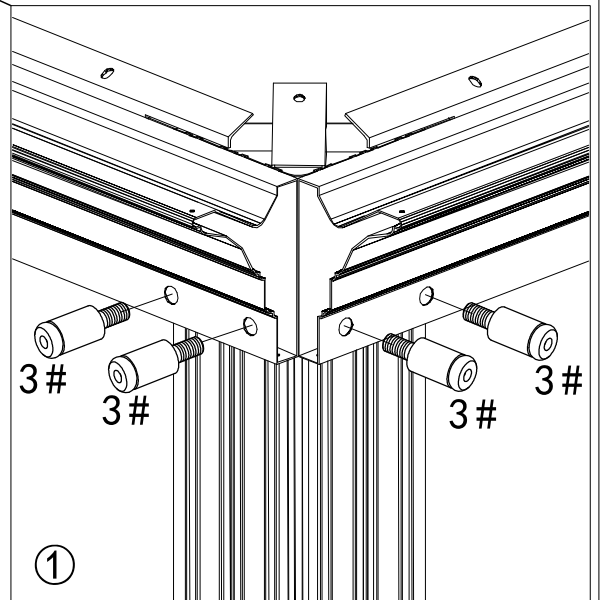
3#
x16

FRAME ASSEMBLY:

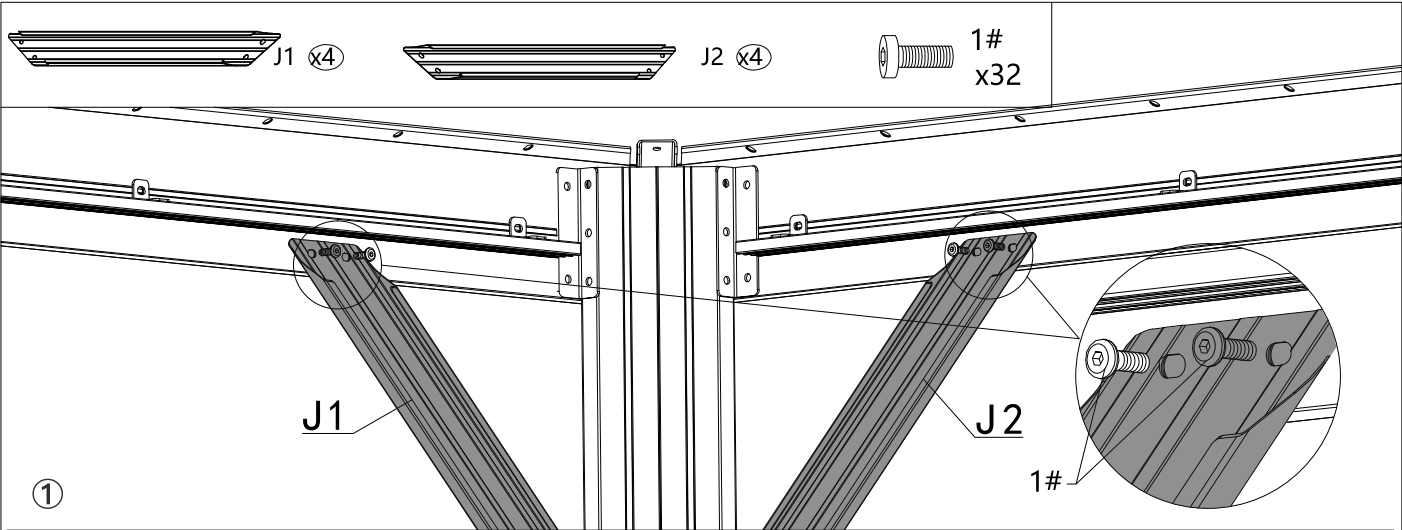
Inside View



Outside View

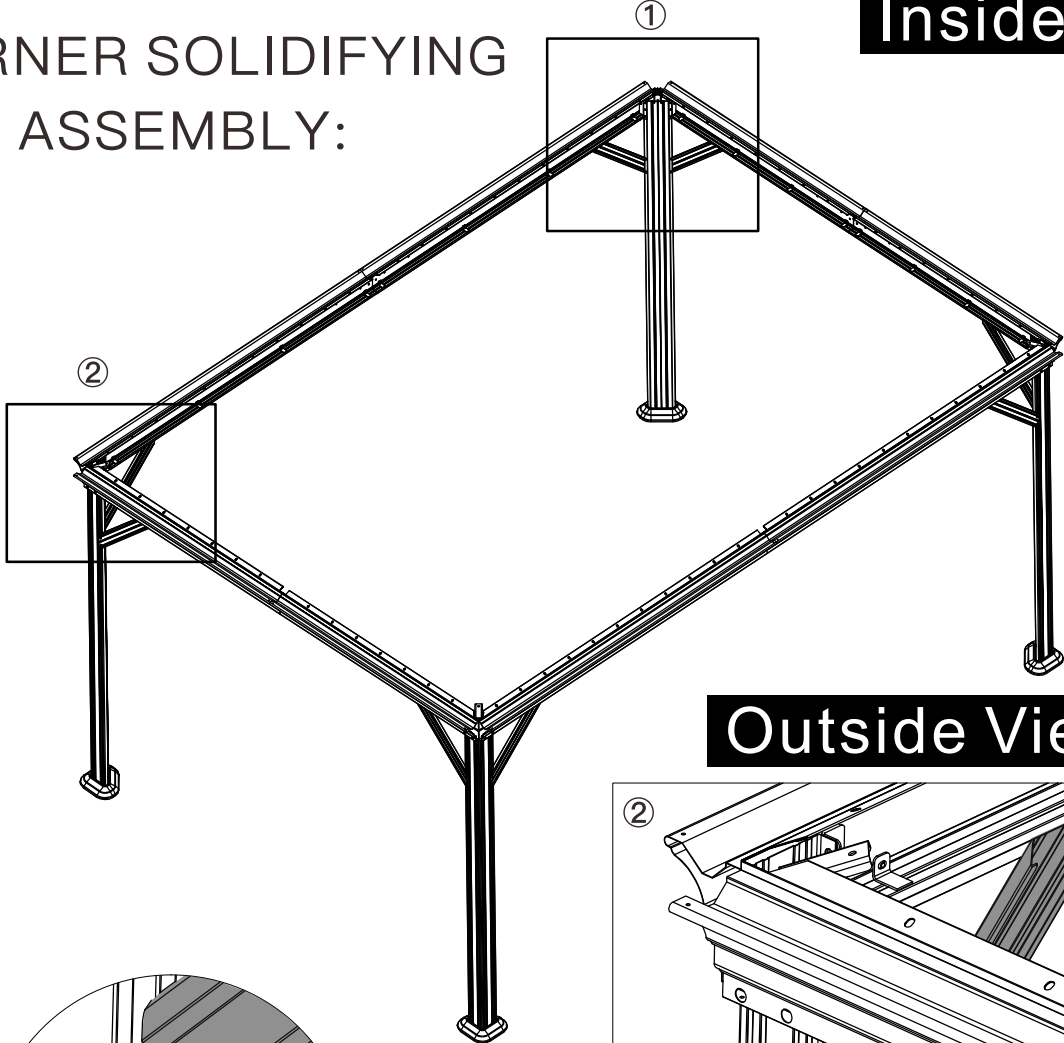


Please don't tighten
all bolts.

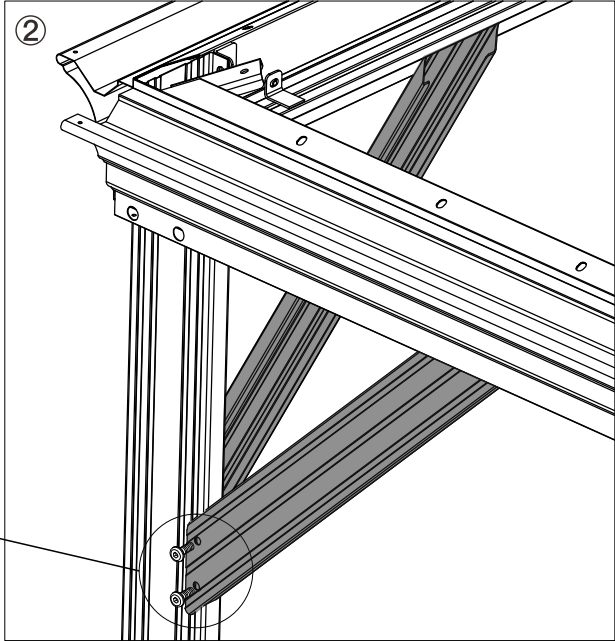
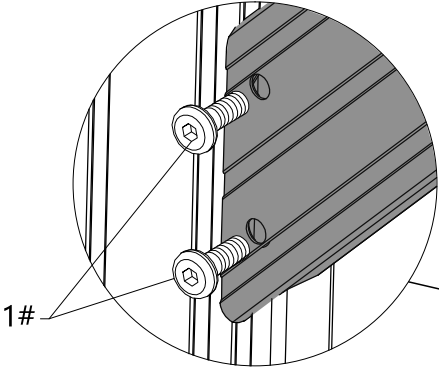


Inside View

CORNER SOLIDIFYING
BAR ASSEMBLY:



Outside View





F (x4)



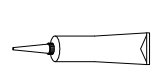
G (x4)



8#
x4

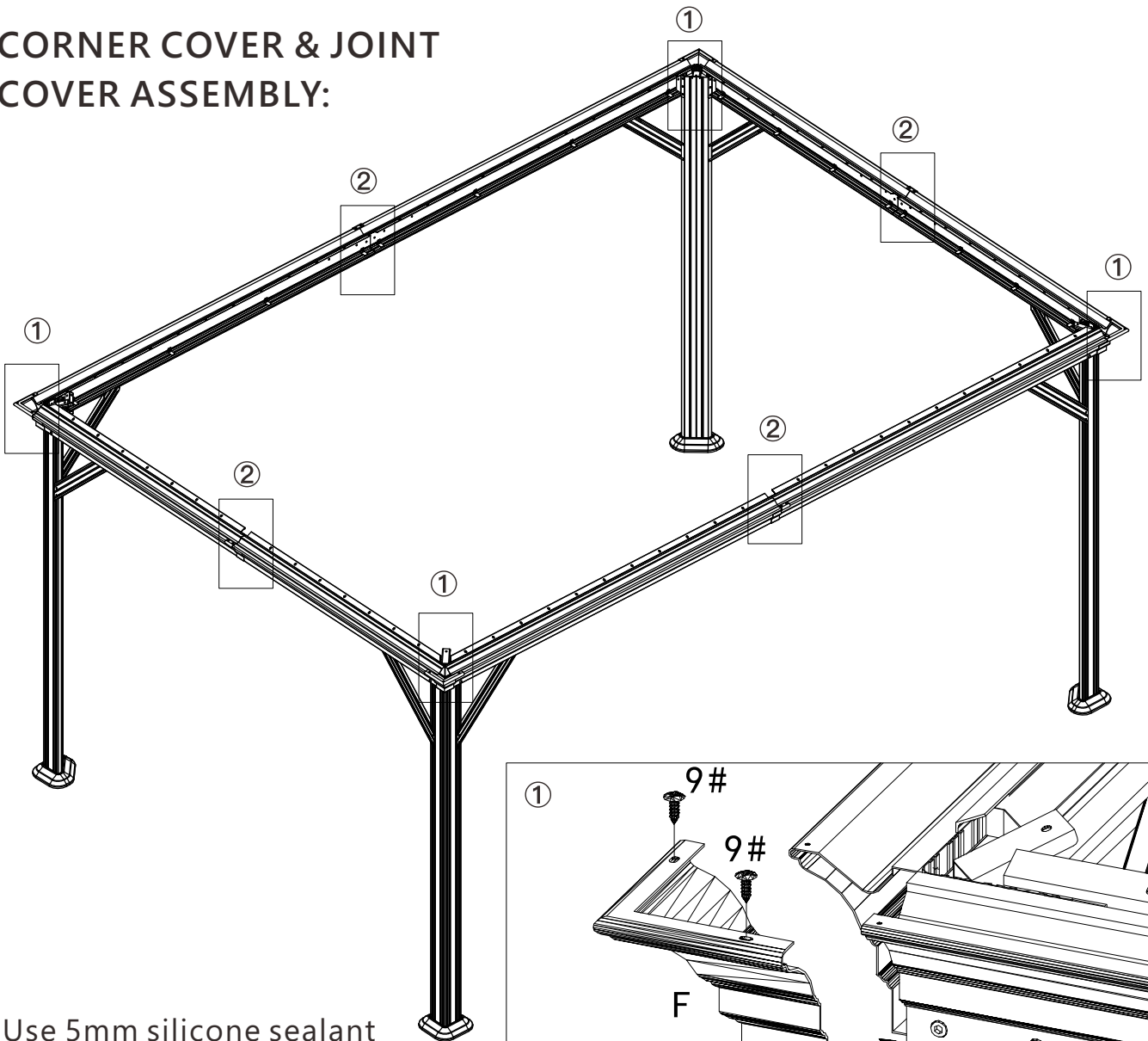


9#
x24

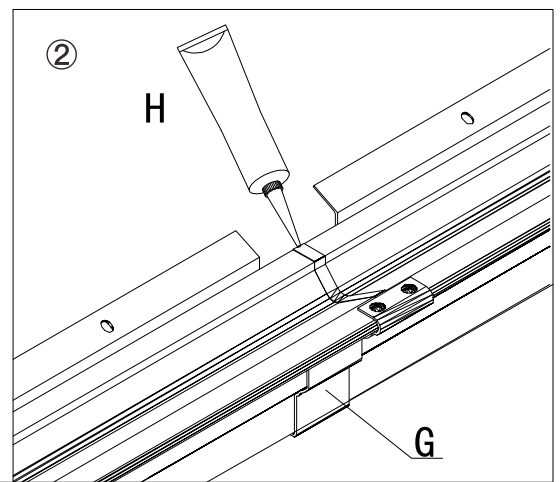
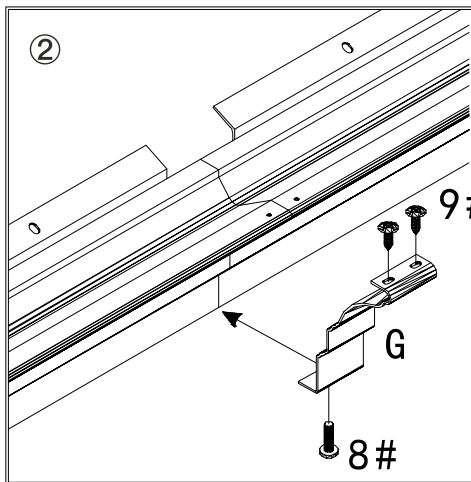
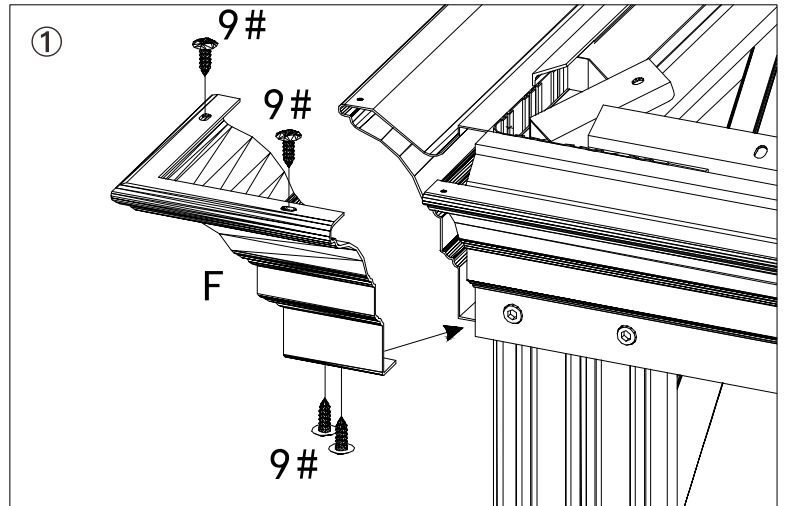


H (x1)

CORNER COVER & JOINT COVER ASSEMBLY:



Use 5mm silicone sealant (part #H) and Joint Cover #G to affix the gap.

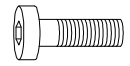




L (x4)

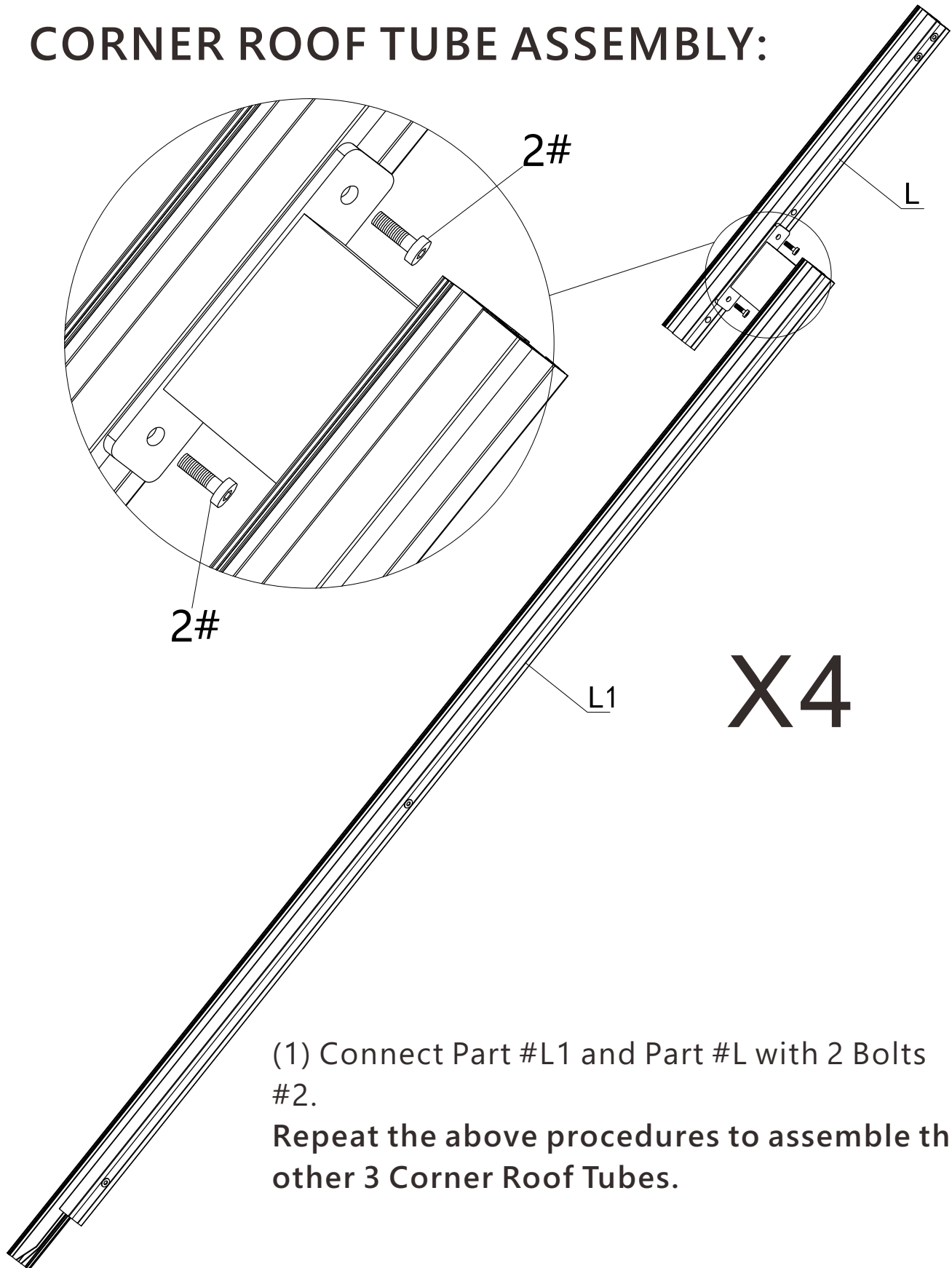


L1 (x4)



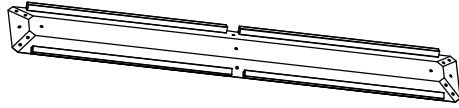
2#
x8

CORNER ROOF TUBE ASSEMBLY:



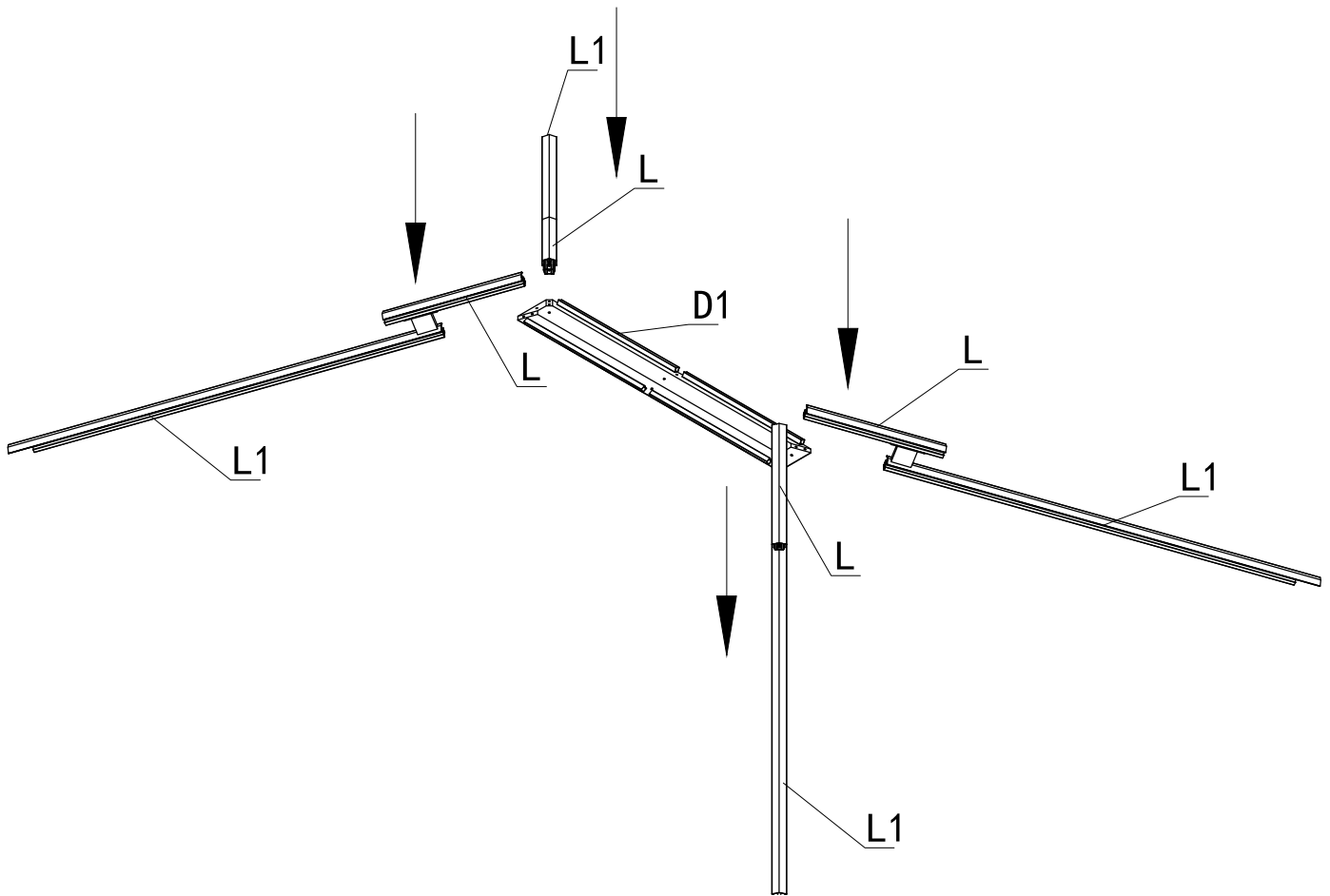
(1) Connect Part #L1 and Part #L with 2 Bolts #2.

Repeat the above procedures to assemble the other 3 Corner Roof Tubes.

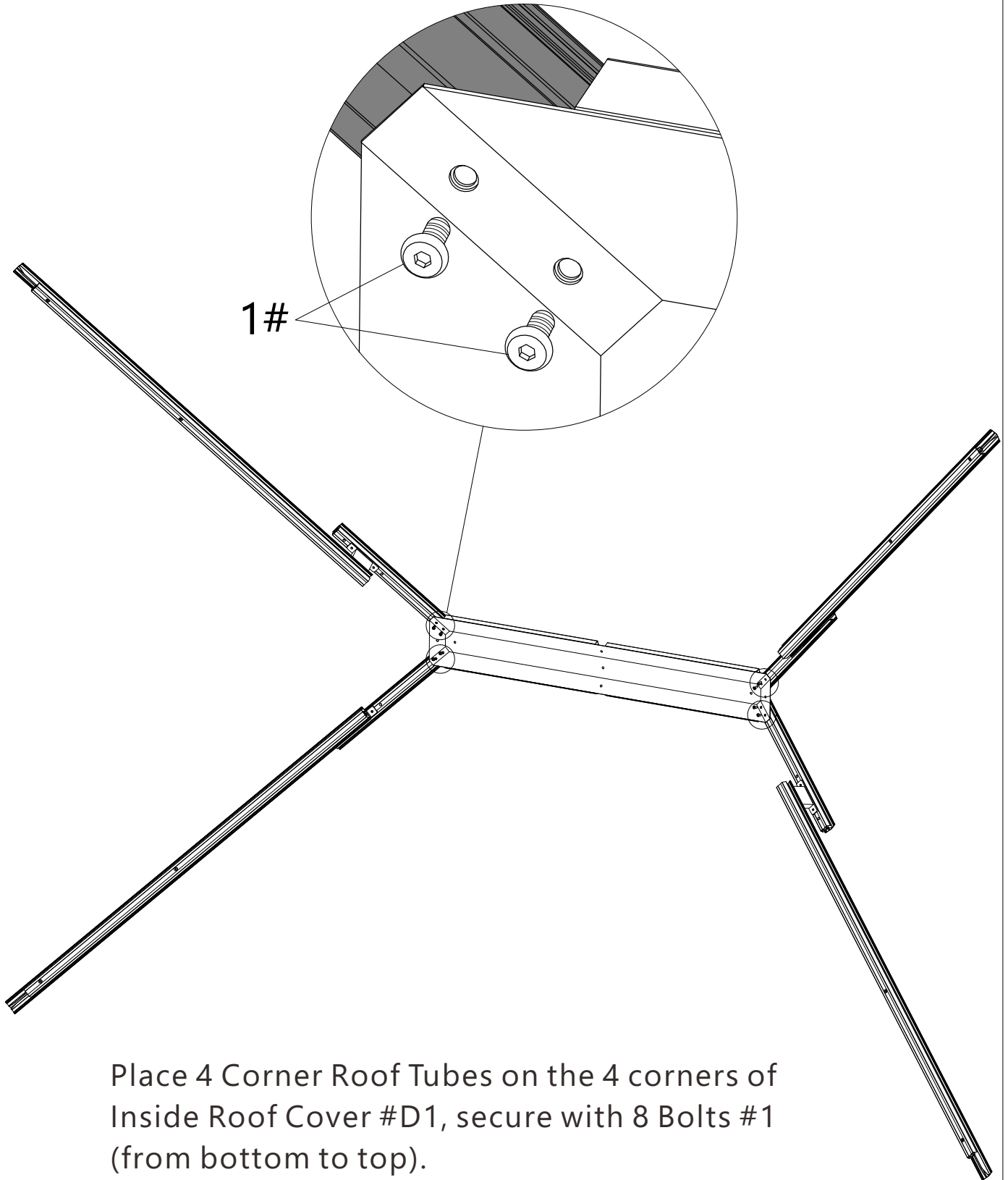


D1 (x1)

CORNER ROOF TUBE AND INSIDE ROOF CONNECTOR ASSEMBLY:

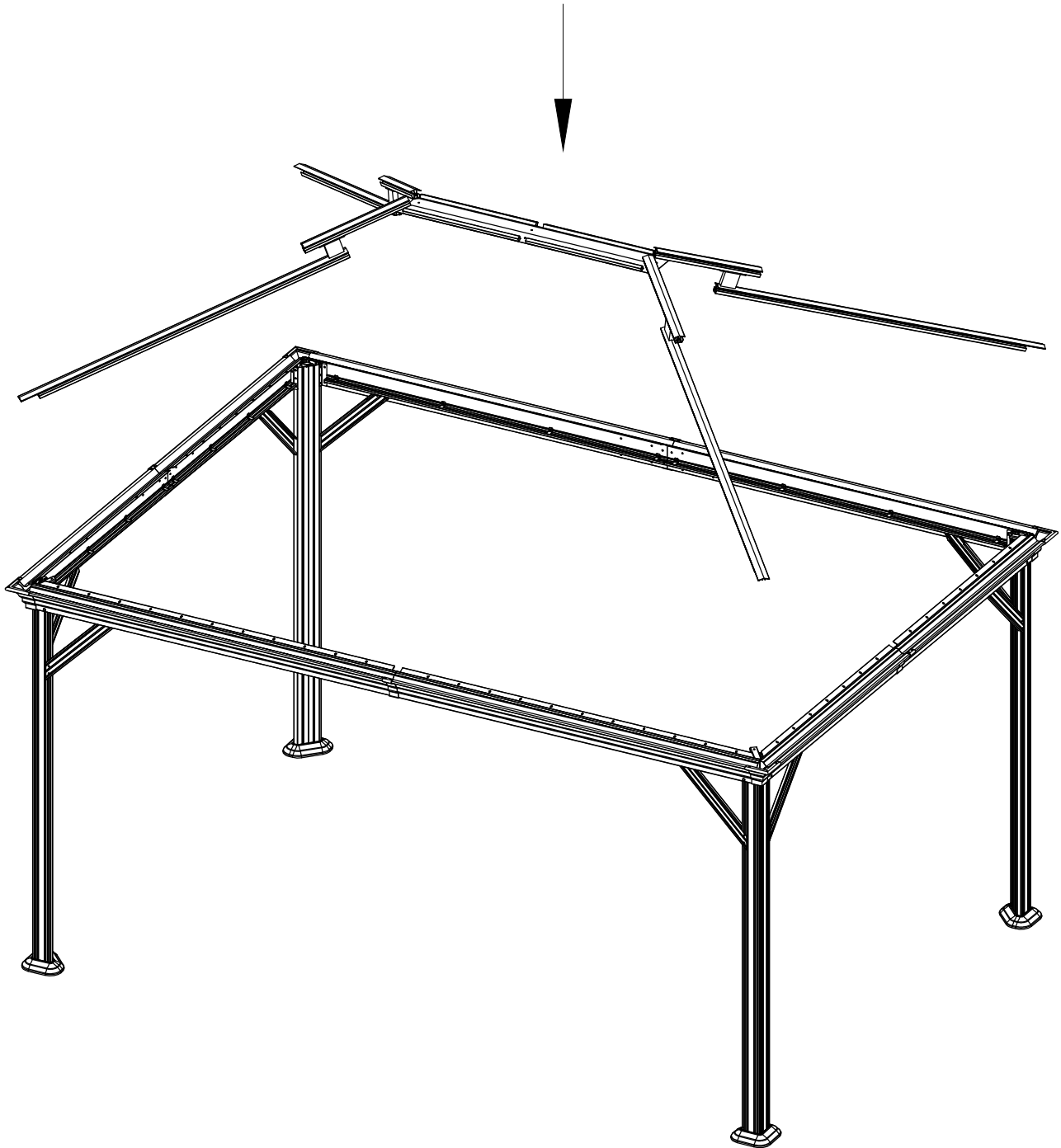


1#
x8



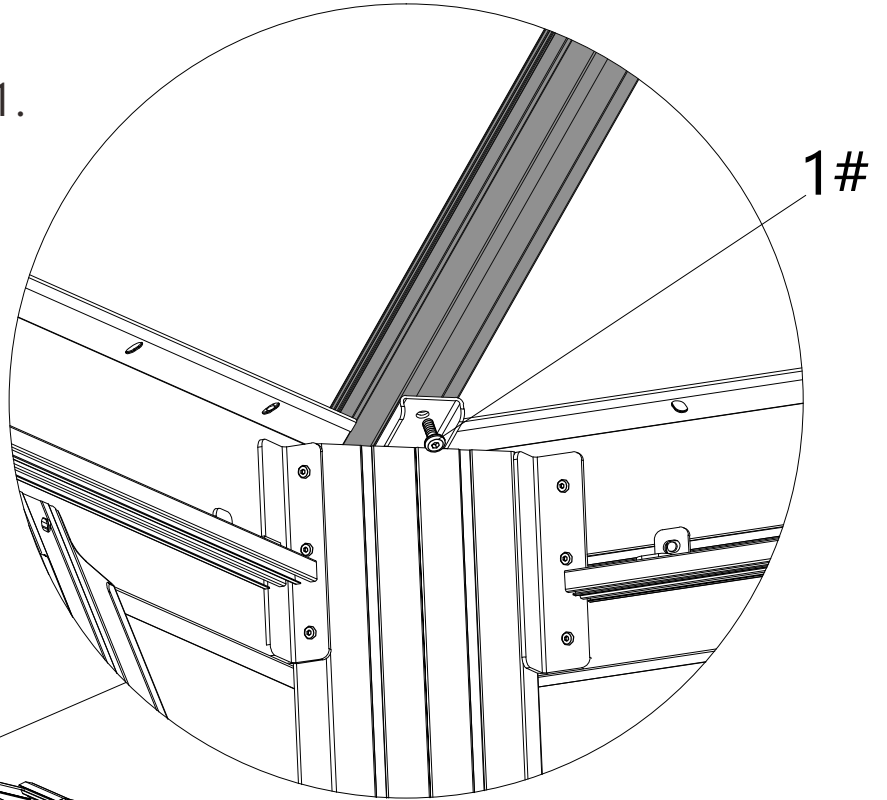
Place 4 Corner Roof Tubes on the 4 corners of Inside Roof Cover #D1, secure with 8 Bolts #1 (from bottom to top).

Lift 4 corner roof Tubes and inside roof connector to the top of the frame (You may need 2 people and 2 ladders).

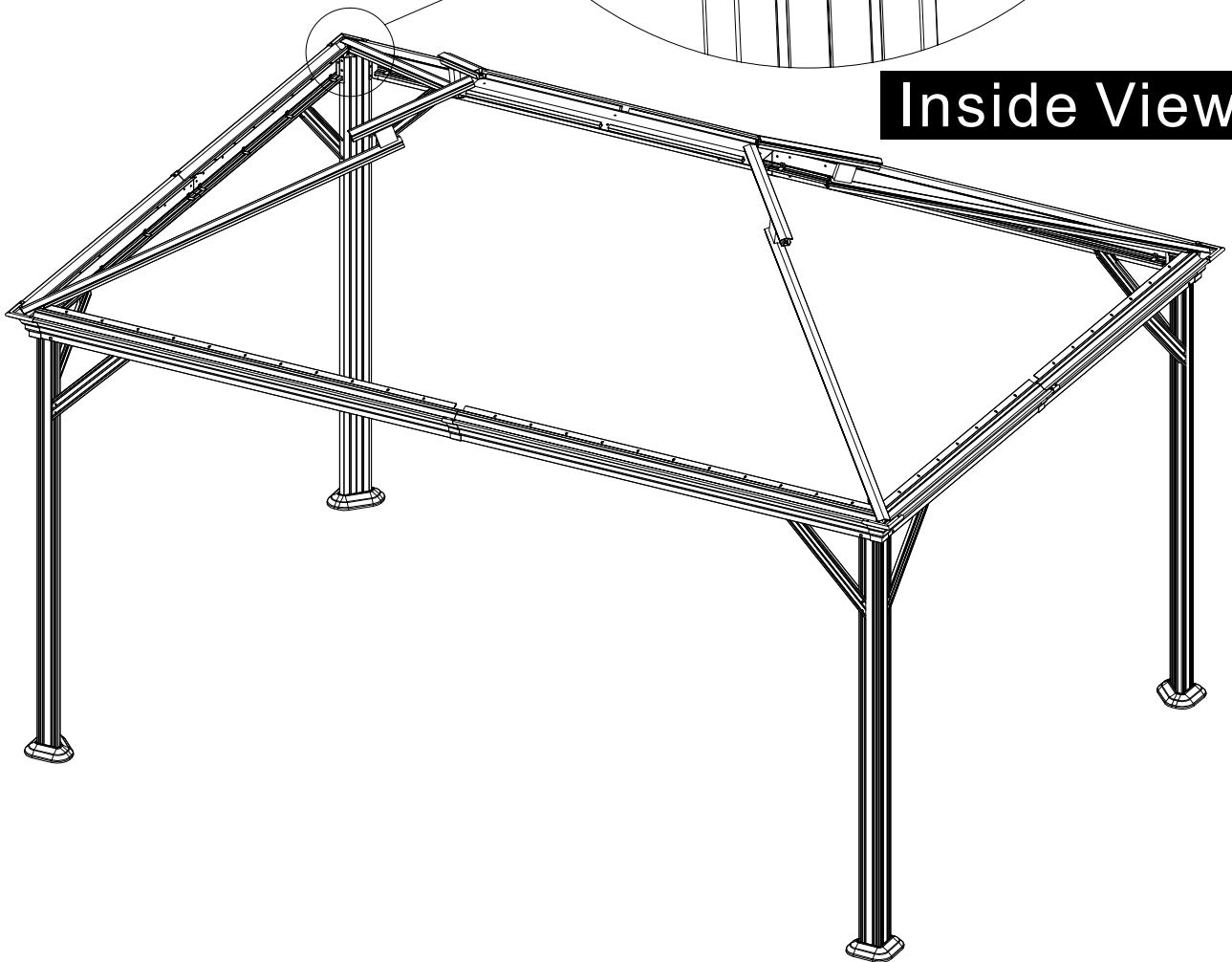


1#
×4

Secure with 4 Bolts #1.

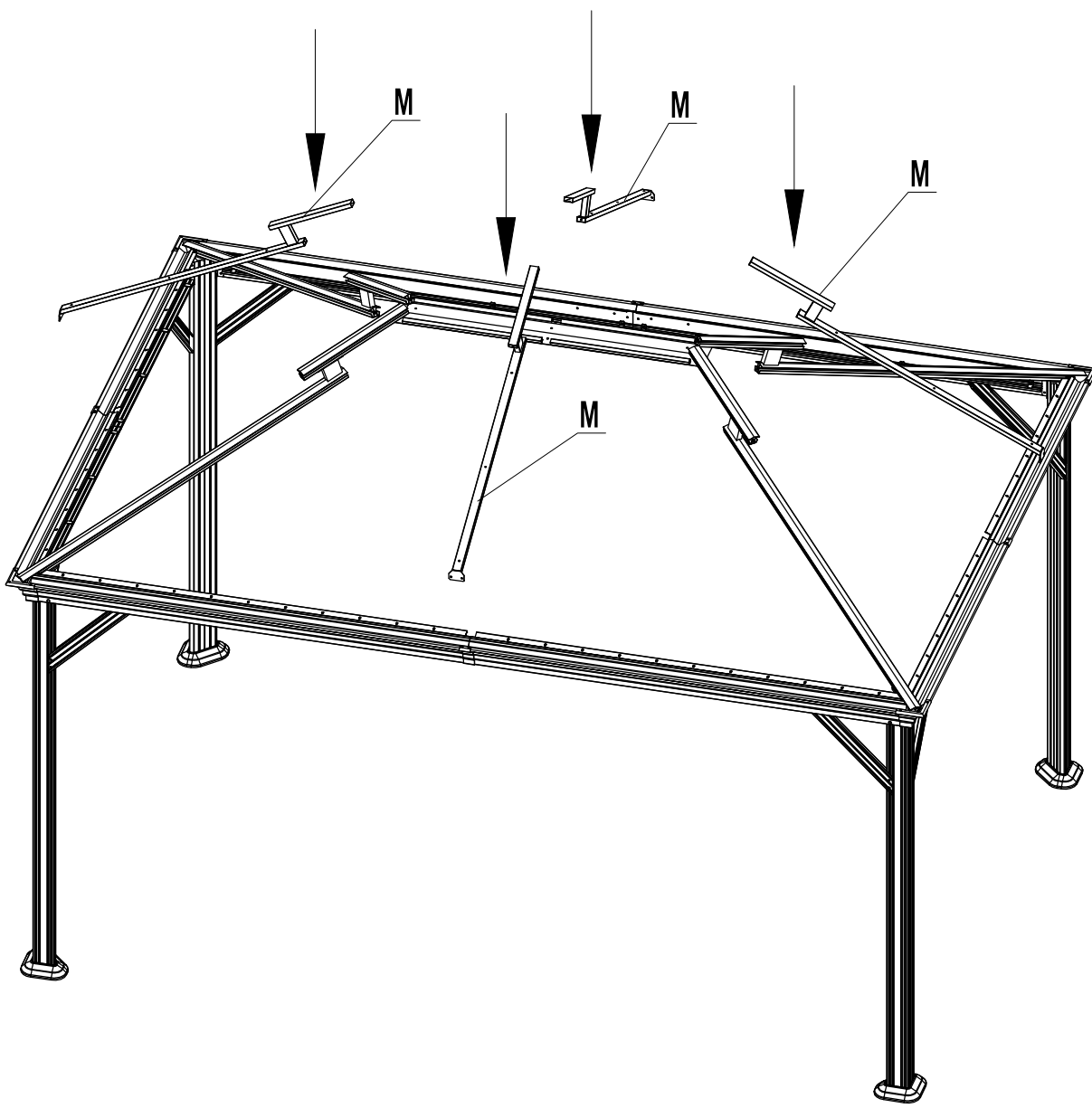


Inside View



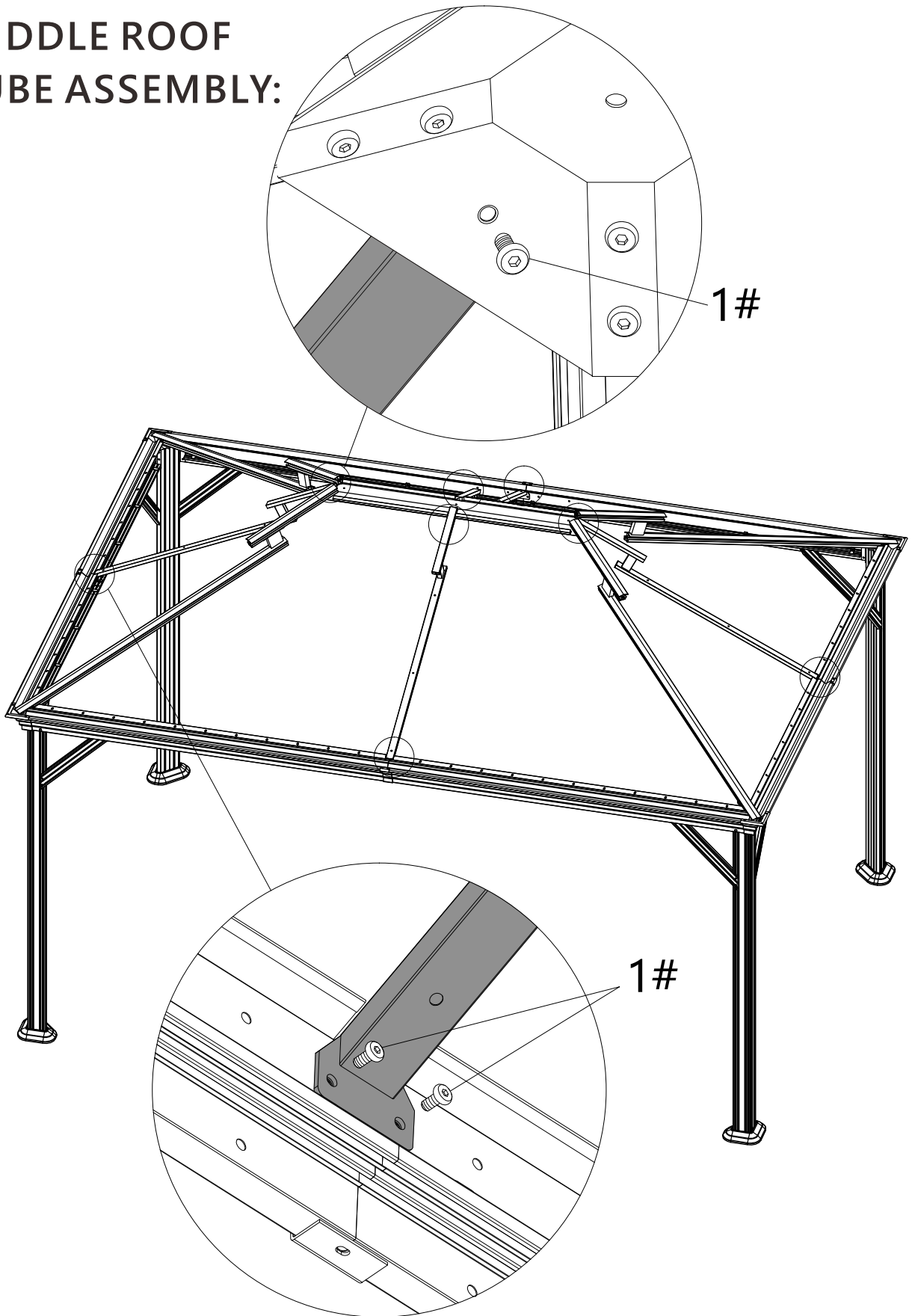


M (x4)

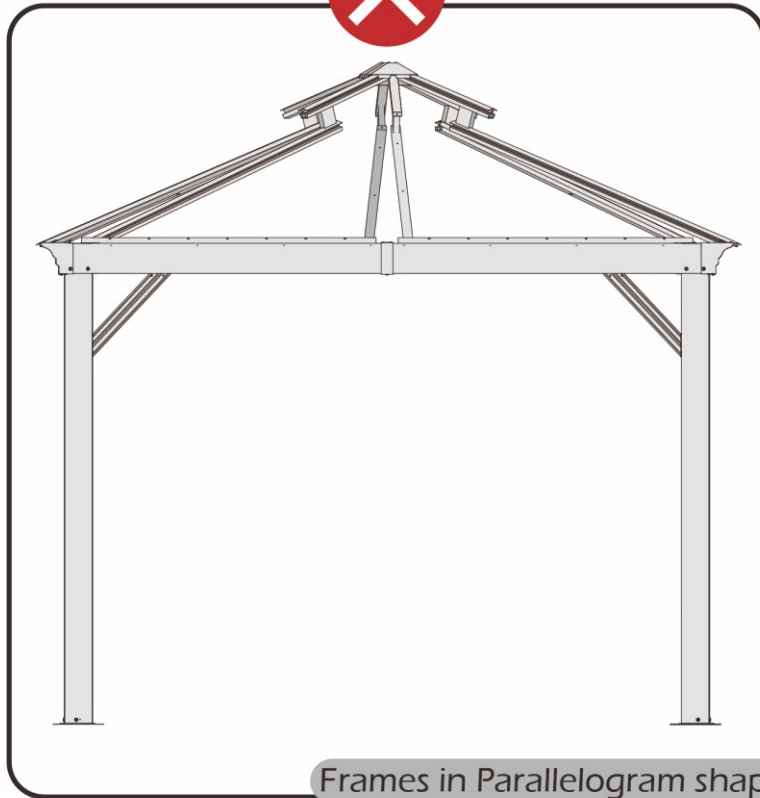


1#
x12

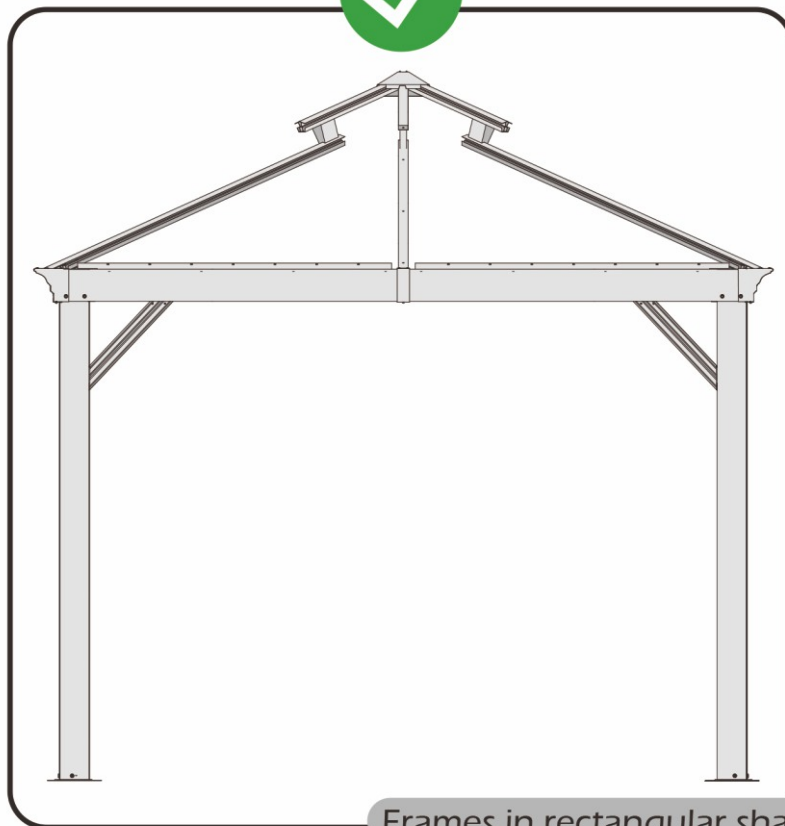
MIDDLE ROOF TUBE ASSEMBLY:



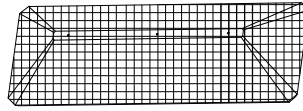
Check the the frame as pictures below shows.



Frames in Parallelogram shape



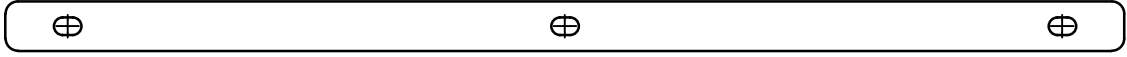
Frames in rectangular shape



P (x1)

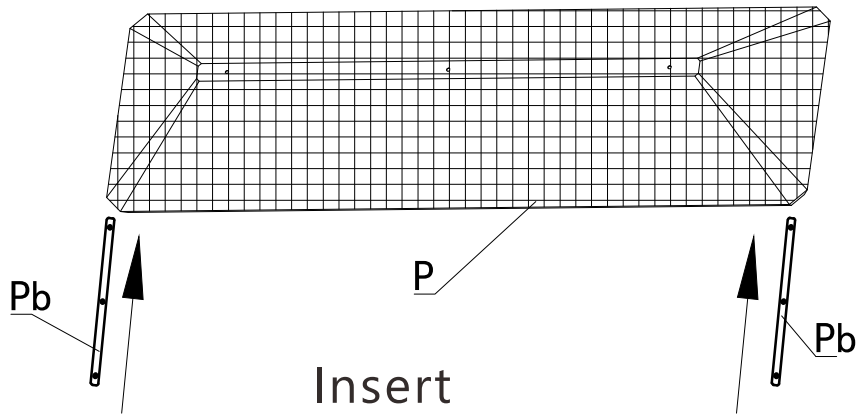
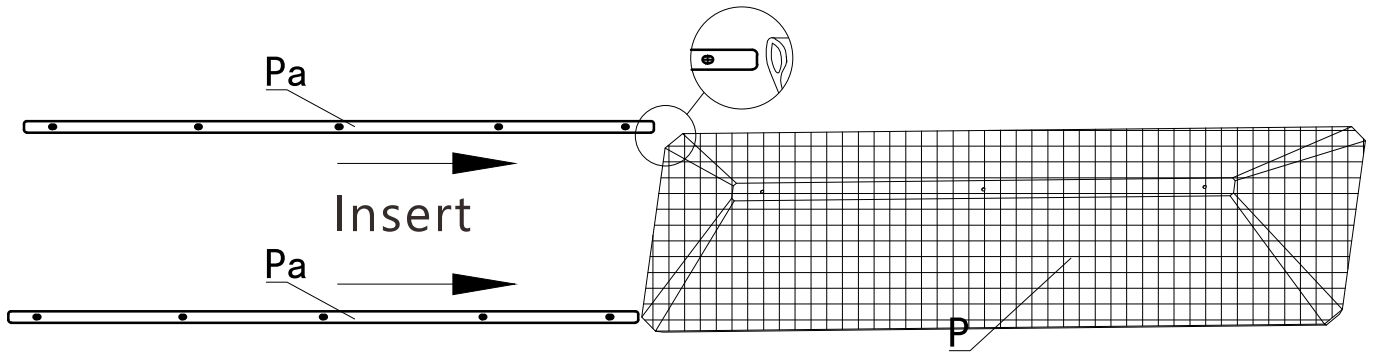


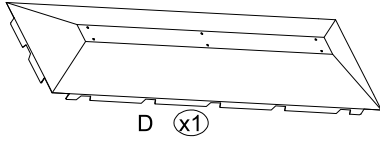
Pa (x2)



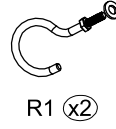
Pb (x2)

PLASTIC BAR ASSEMBLY:

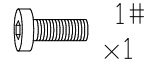




D (x1)



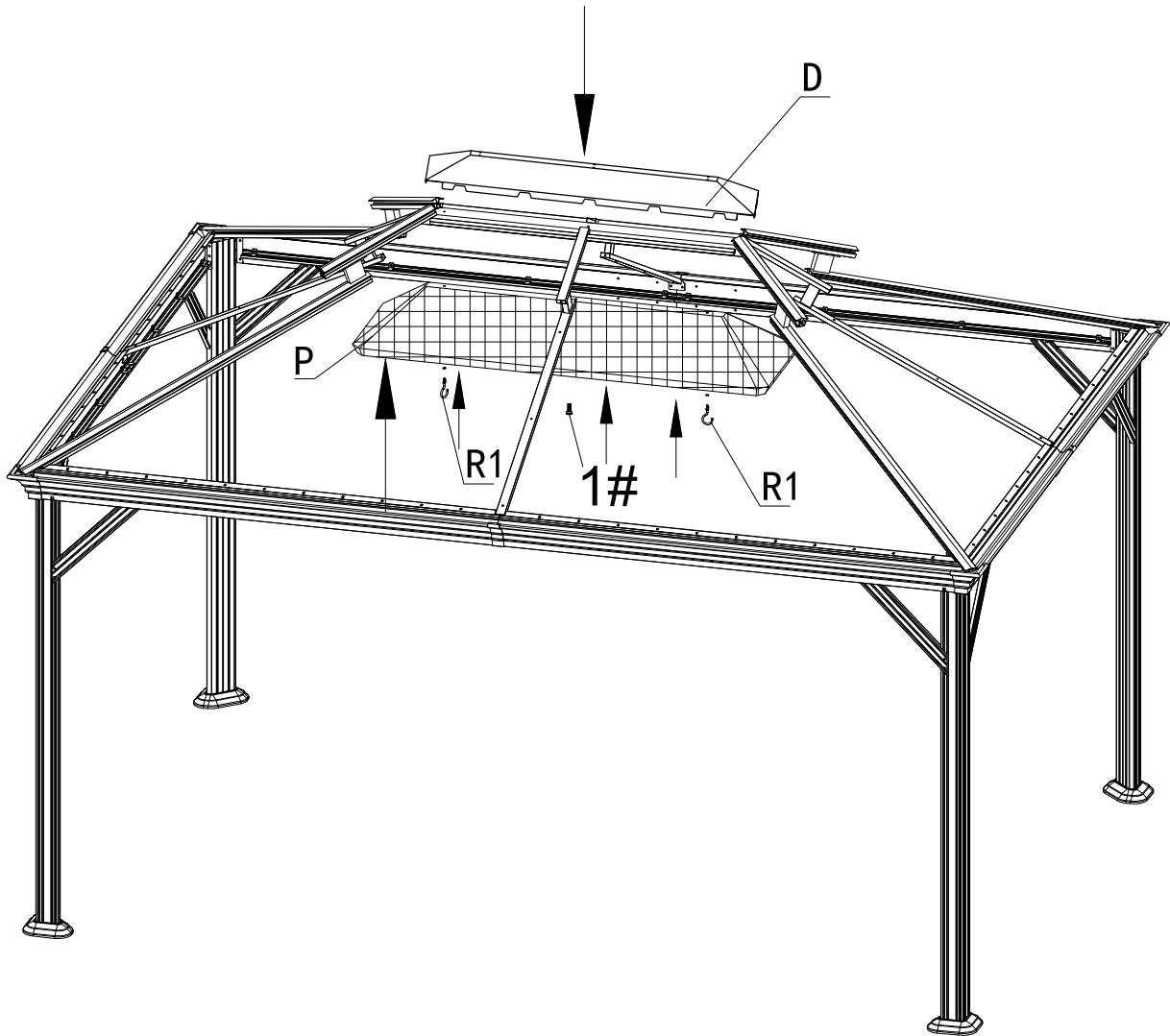
R1 (x2)

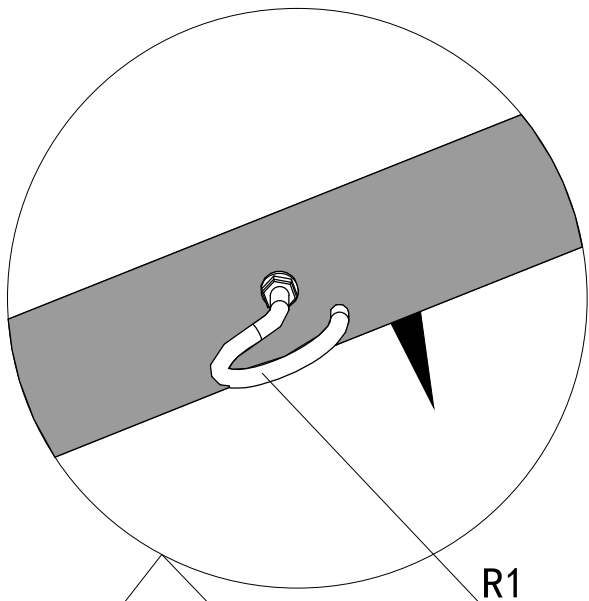


1#
x1

OUTSIDE ROOF COVER AND MESH ASSEMBLY :

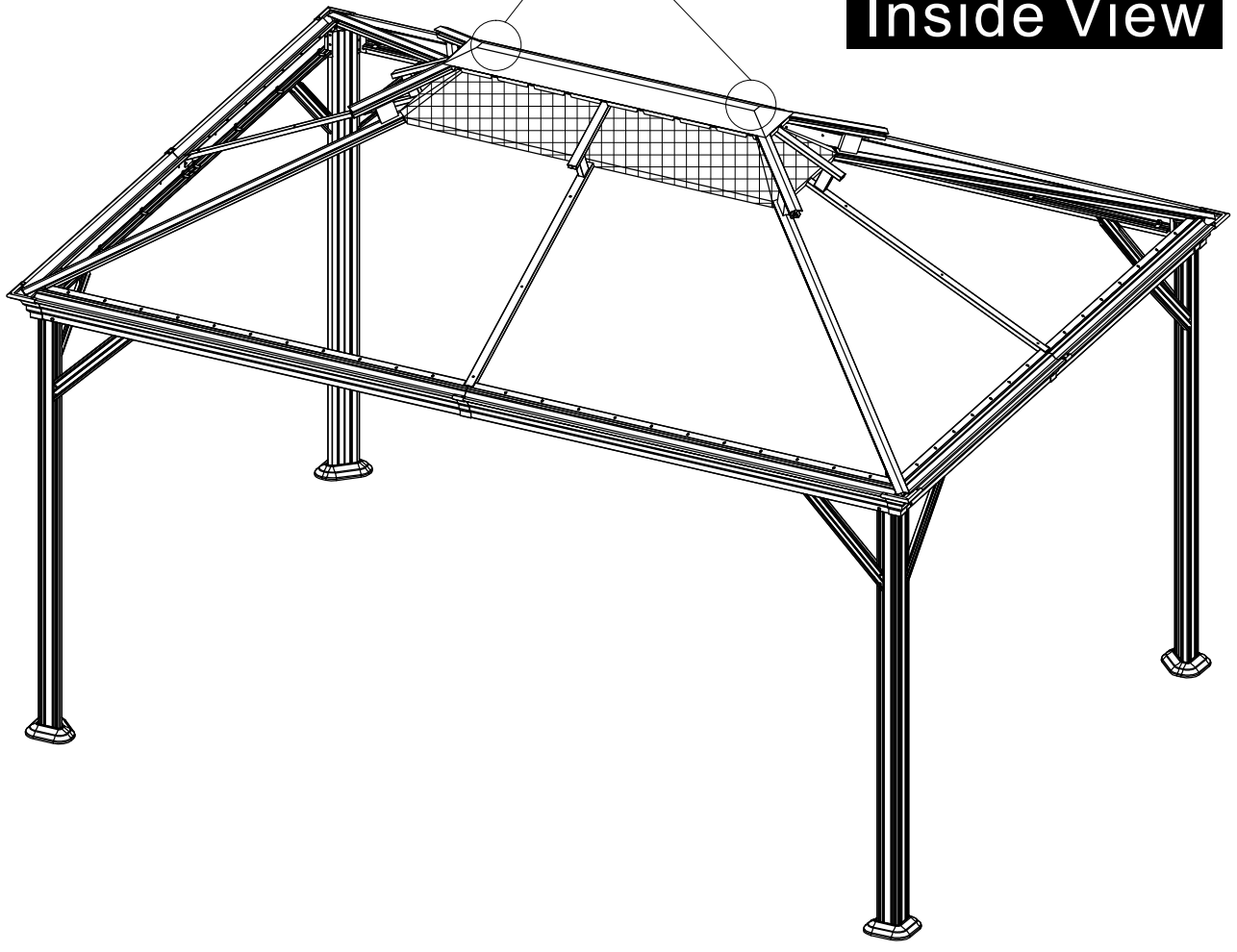
- (1) Place the Outside Roof Cover on the inside Roof Cover.
- (2) Align the holes and use 2 Hooks #R1 and 1 bolt #1 to secure Small Mesh #P to the Inside Roof Cover. (From Bottom to Top)

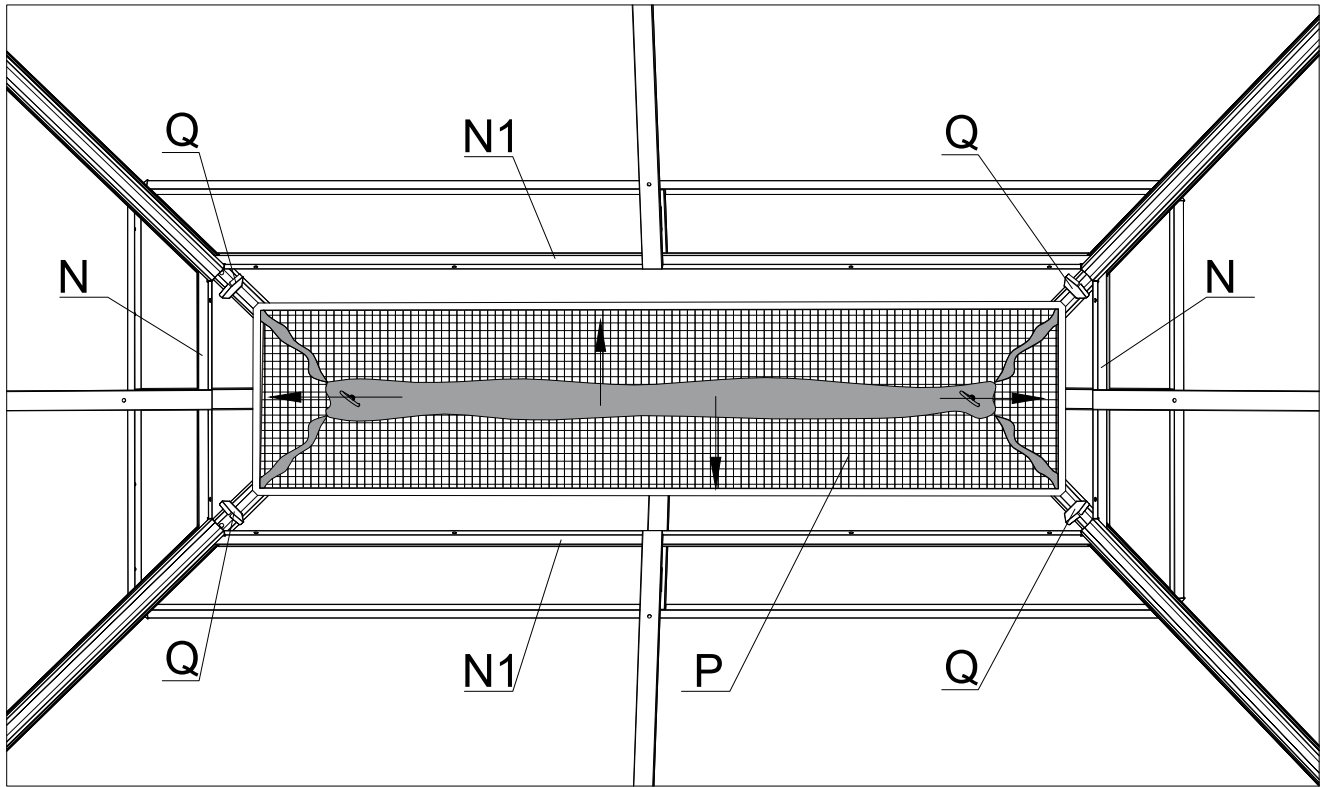
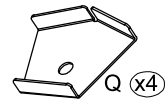
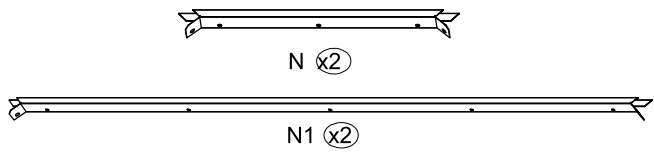




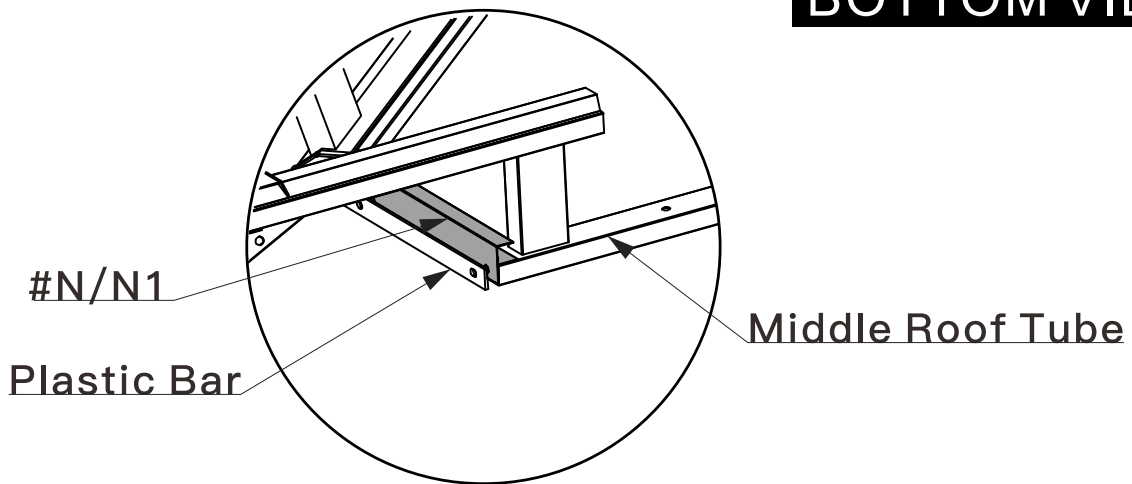
R1

Inside View





BOTTOM VIEW

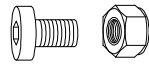
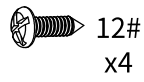


INSIDE VIEW

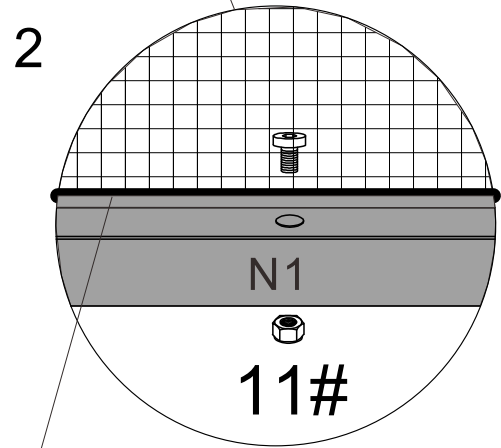
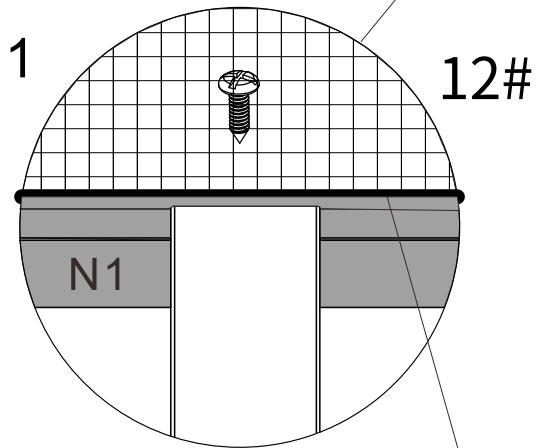
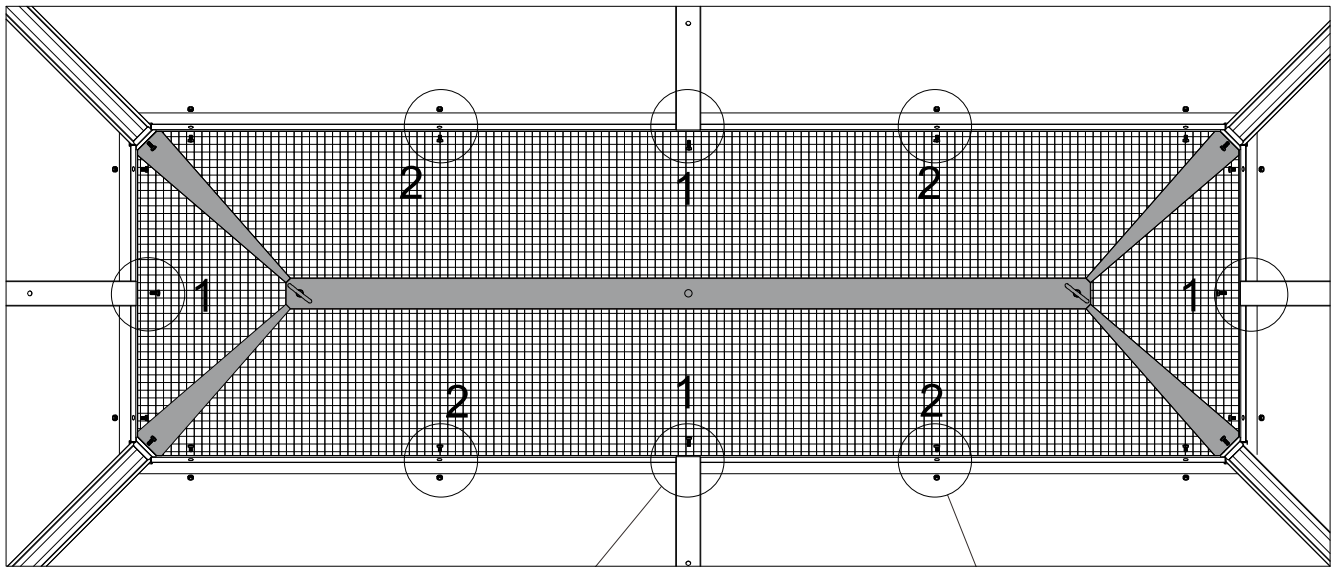


Please do not pull plastic bar out when installing it with #N&N1 on the middle roof tube.

Extend the Small Mesh #P.

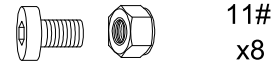
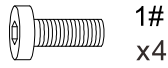
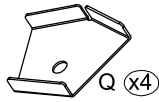


11#
x4

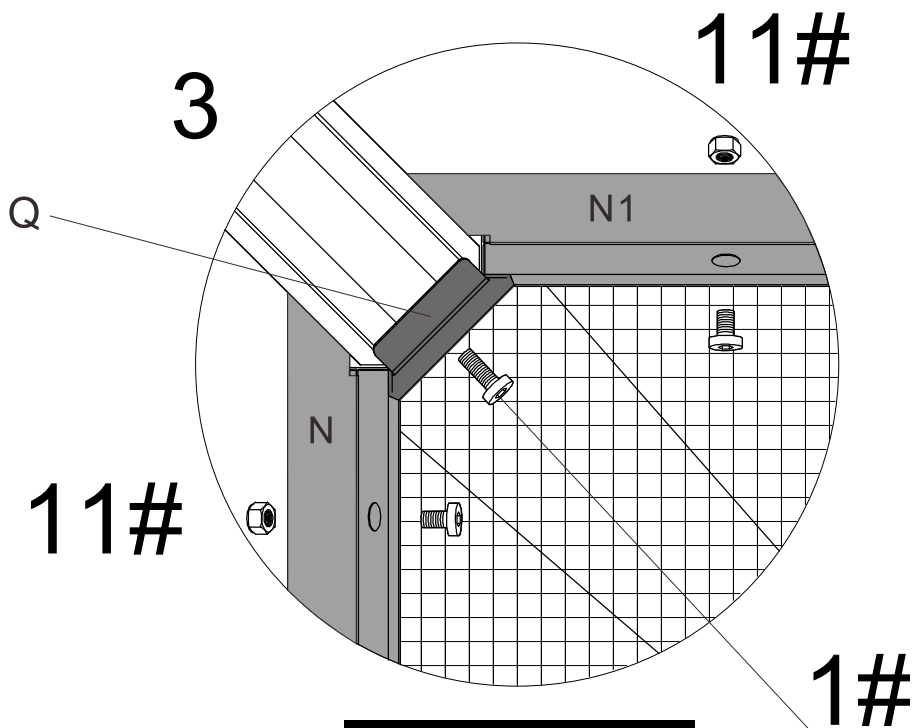
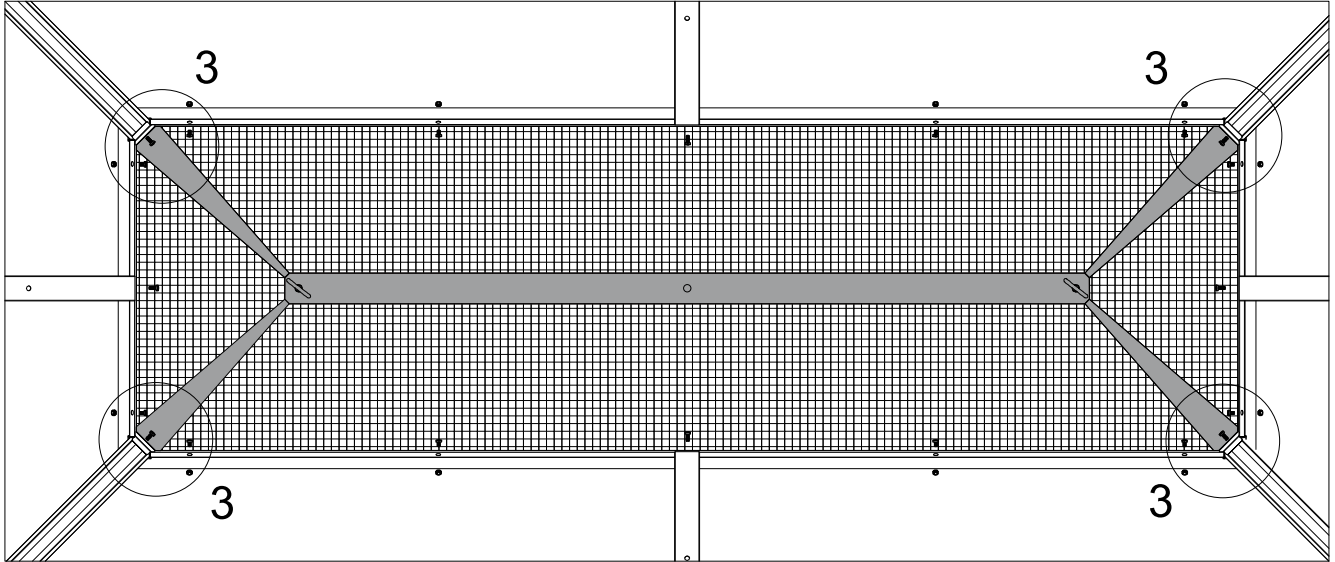


Plastic Bar in the mesh

Secure the small mesh, plastic bar and finishing bar to the middle roof tube.



FINISHING END #Q ASSEMBLY:

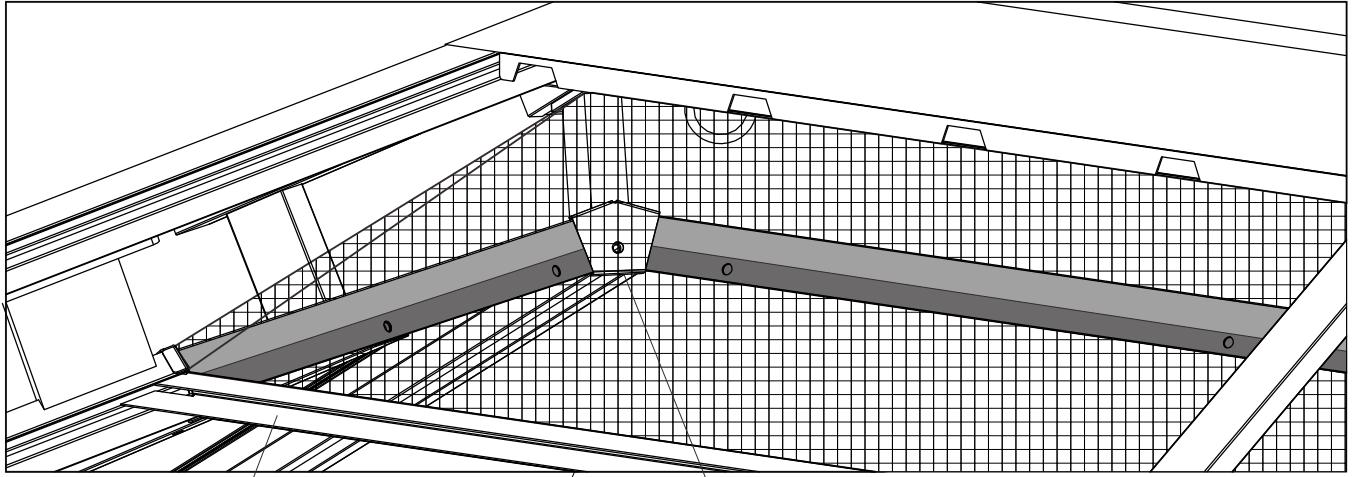


Inside View

- (1) use 2 bolts and nuts #11 to secure the small mesh, plastic bar to finishing bar.
- (2) Use bolt #1 to secure the small mesh and finishing end #Q to the corner roof tube.
- (3) Repeat above procedures to assemble the other 3 sides.

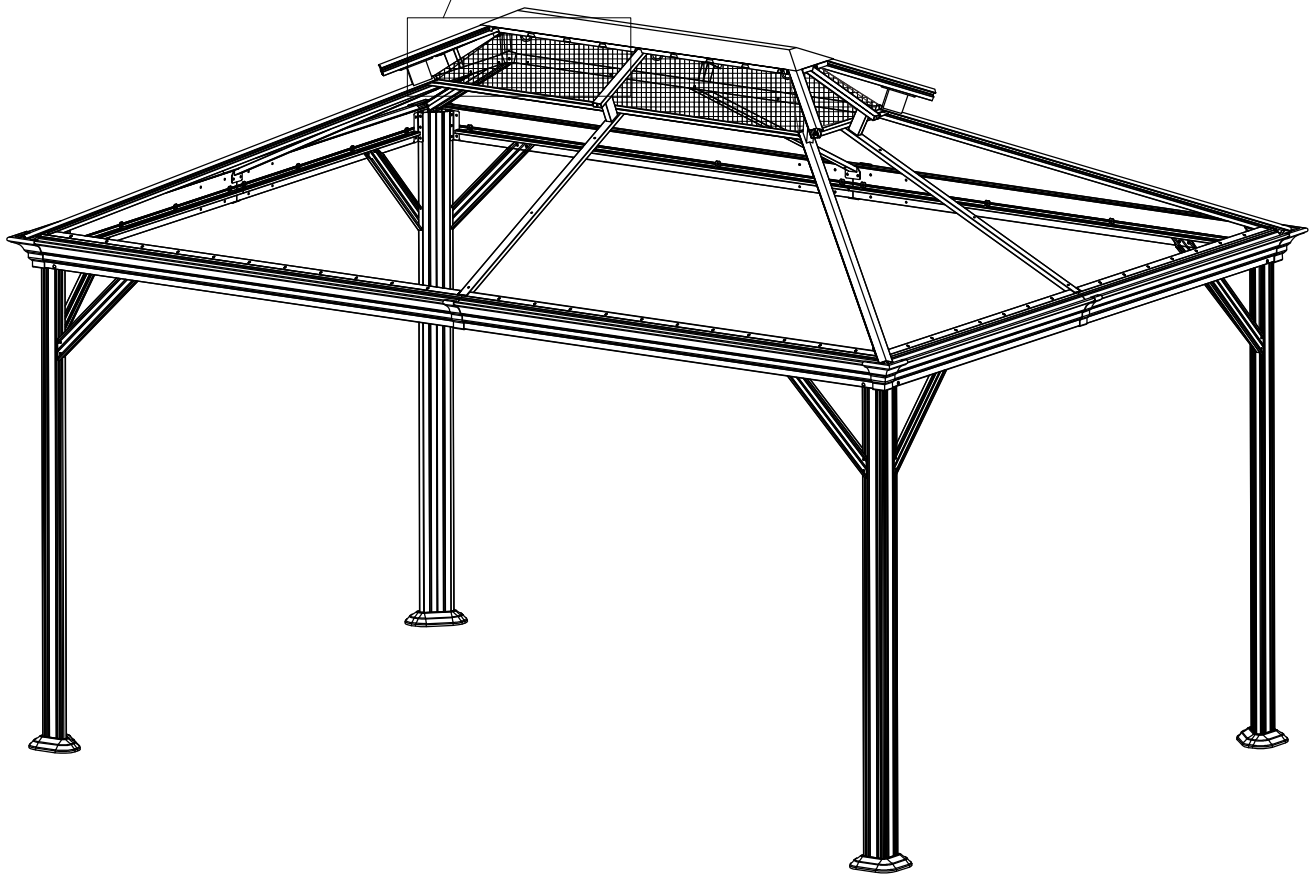
■ Plastic Bar in the mesh

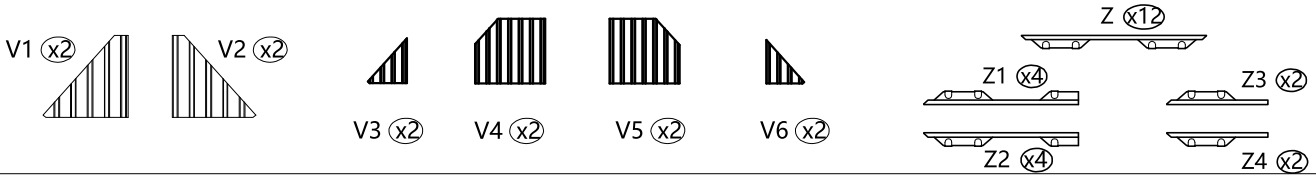
■ #N/N1



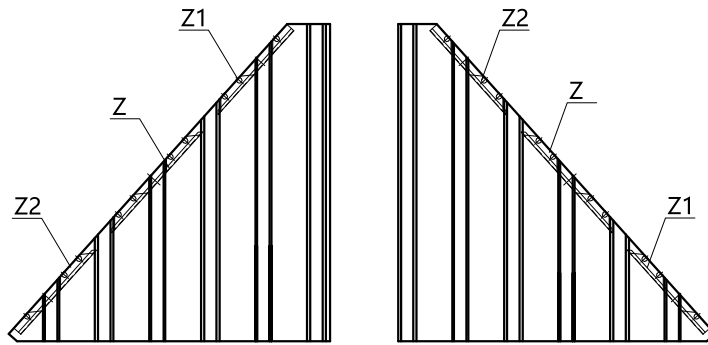
N1

Q



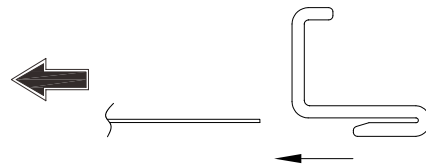
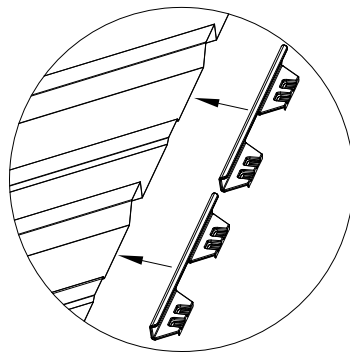


Remove the protective film of the panels before installing the roof panels.
Please install Plastic Clips in strict accordance with the instructions.

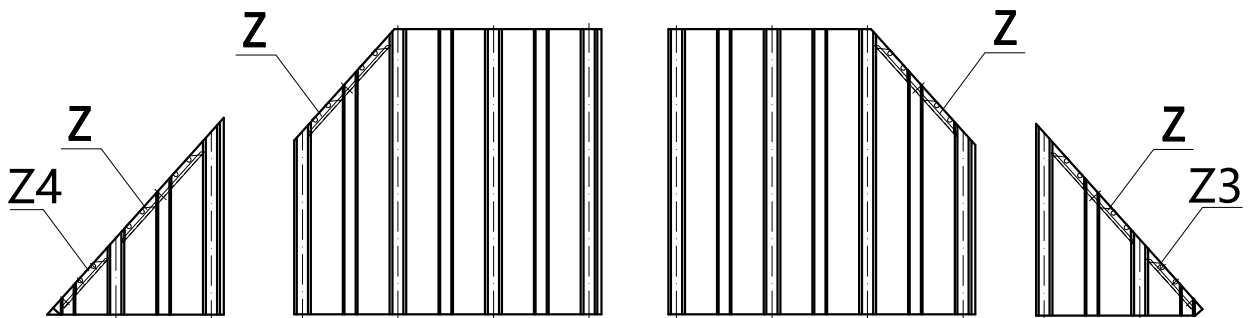


V1

V2



Section View

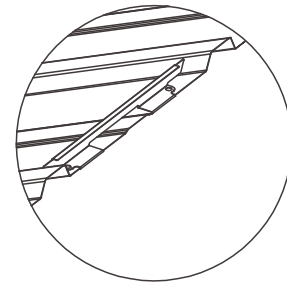
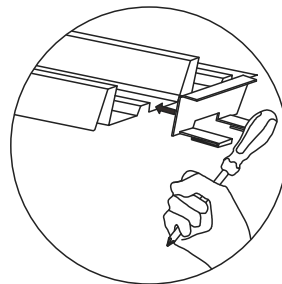
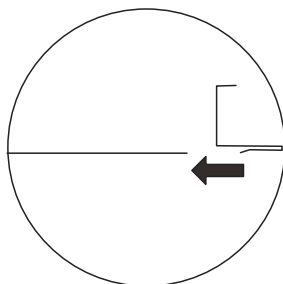


V3

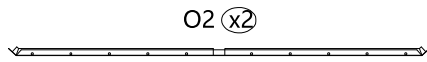
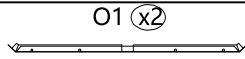
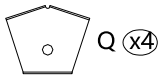
V4

V5

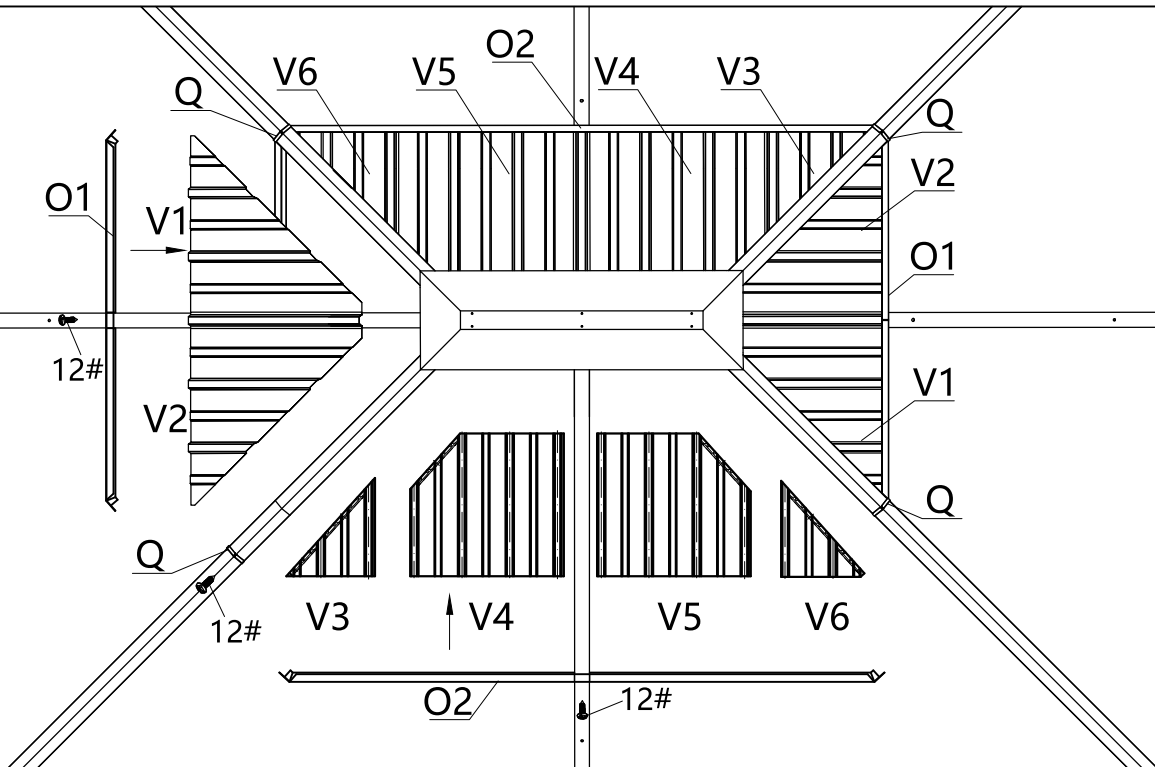
V6



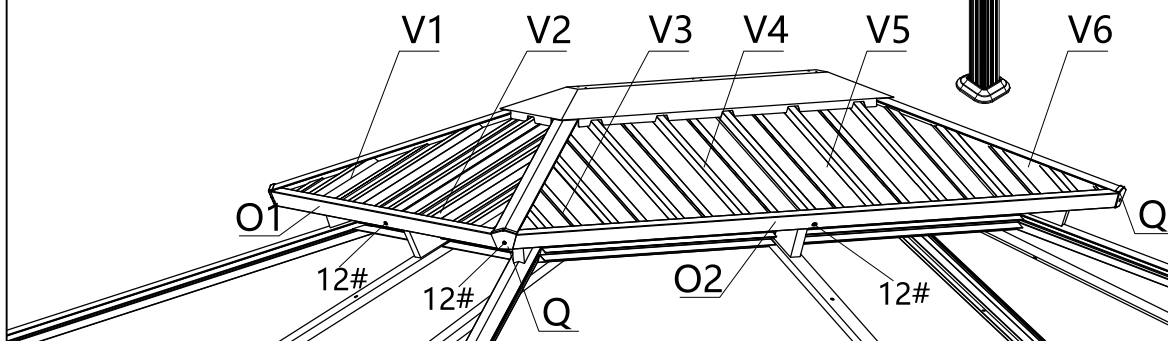
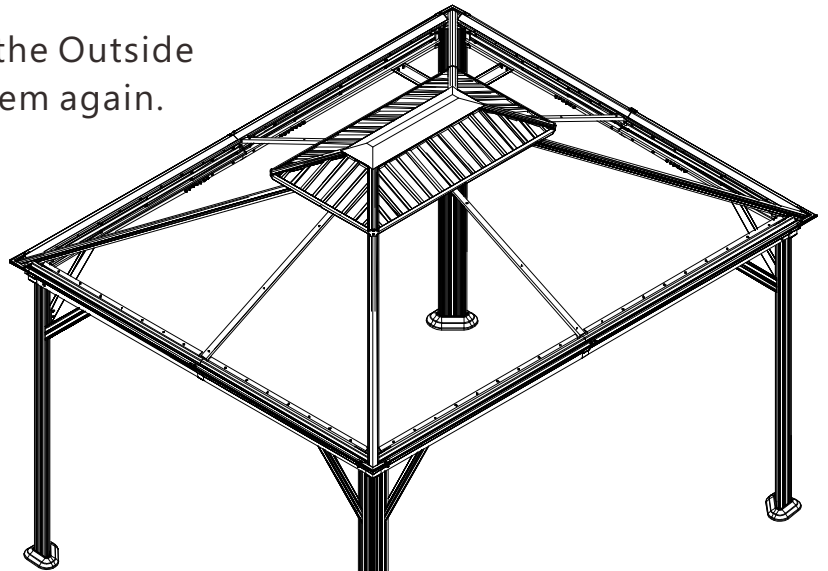
Attach Part #Z, #Z1 & #Z2 by lightly tapping with screwdriver.

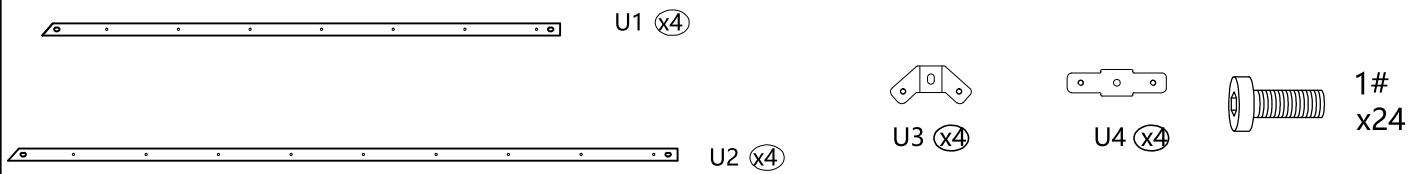


SMALL ROOF PANEL AND FINISHING BAR ASSEMBLY:

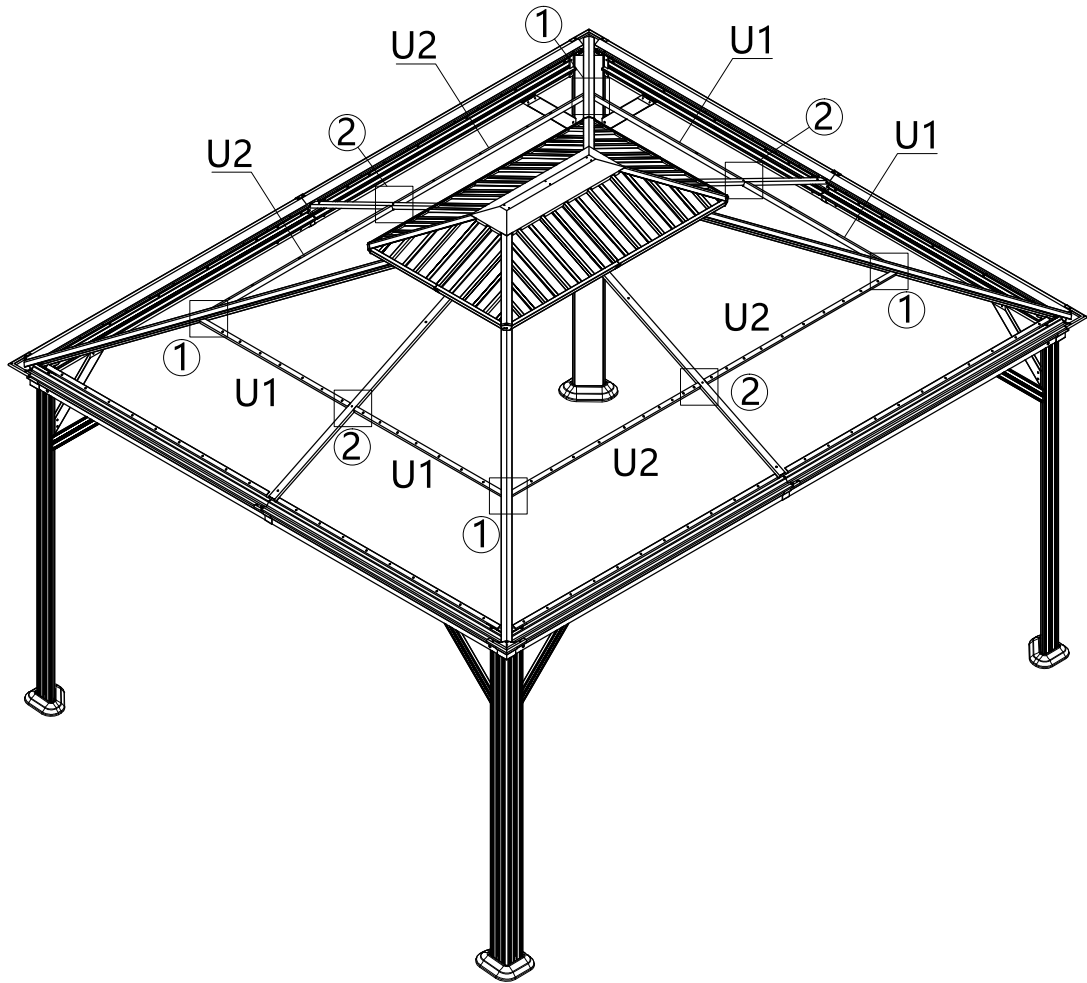


If you can't install #V4&V5, push the Outside Roof Cover up and try to insert them again.

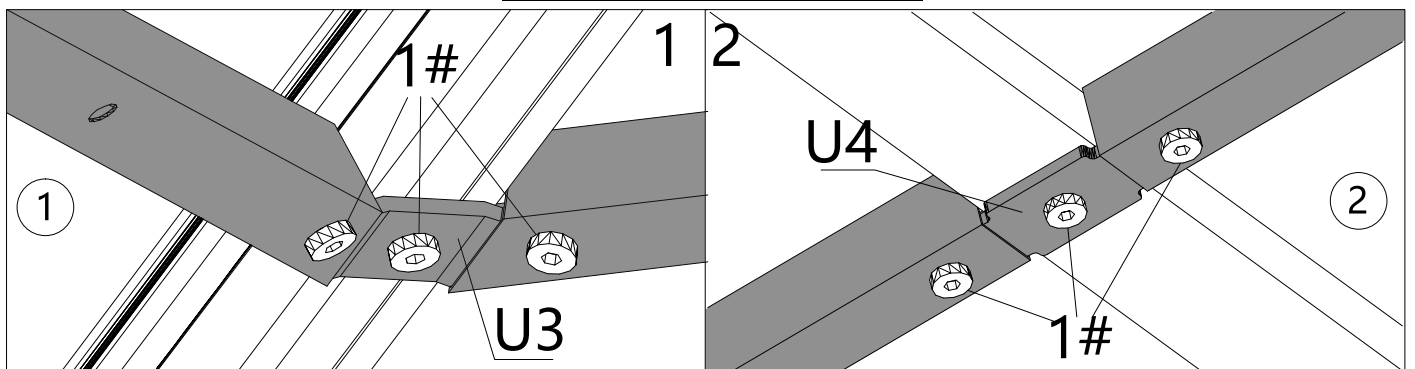


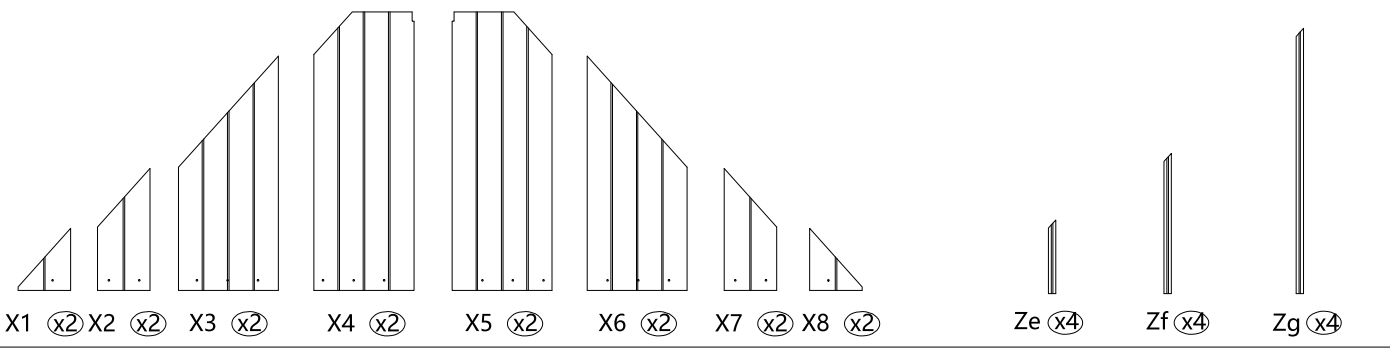
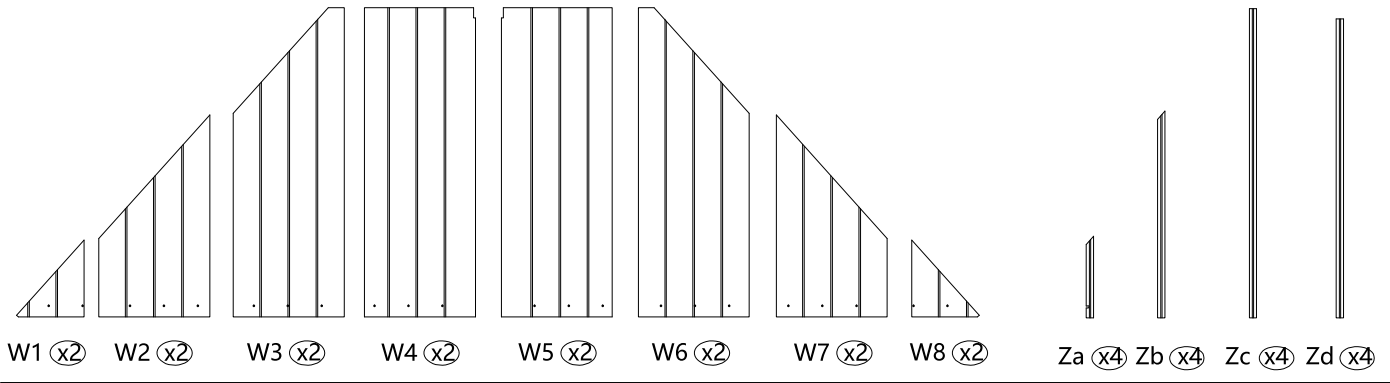


SOLIDIFYING BAR ASSEMBLY:

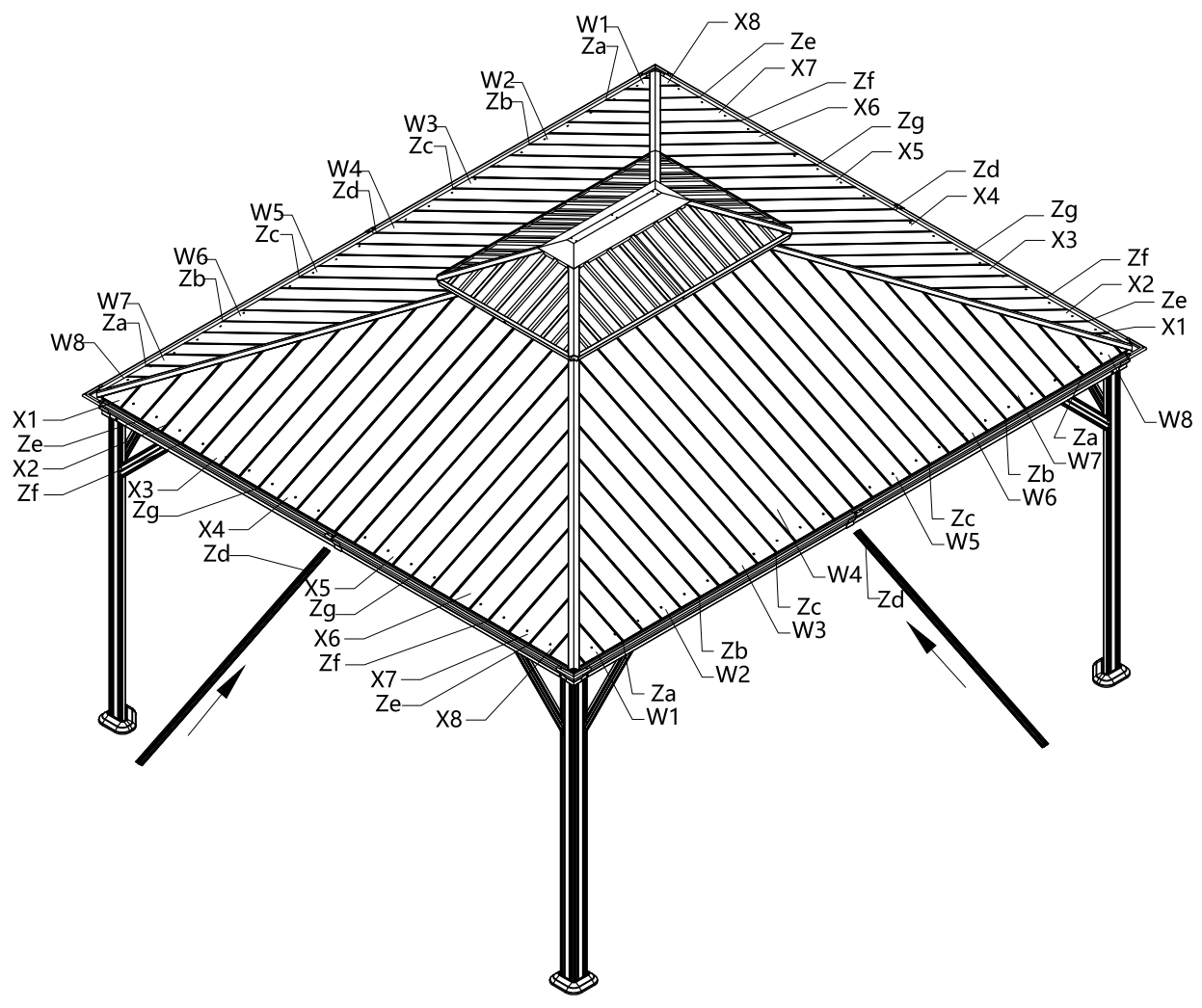


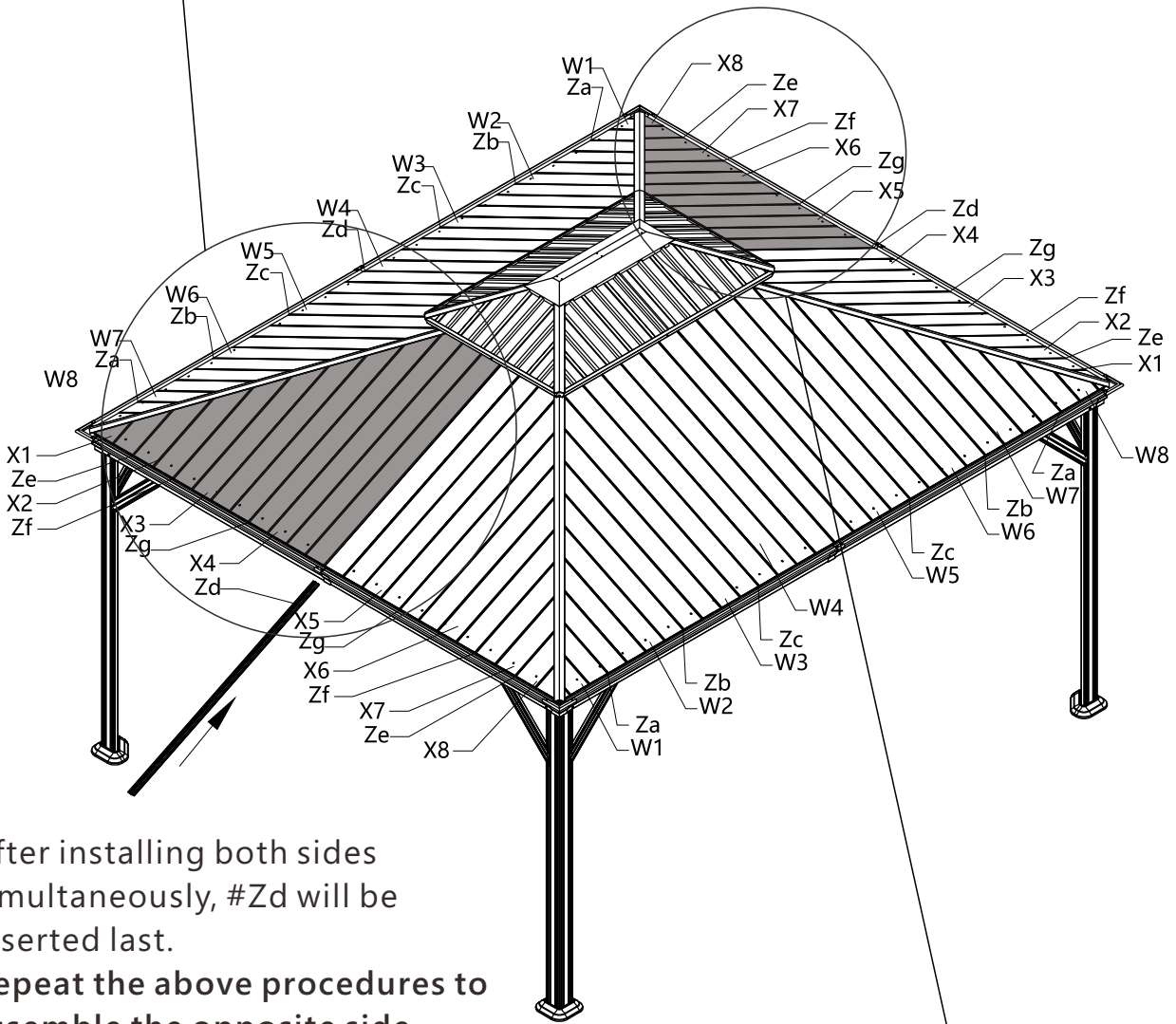
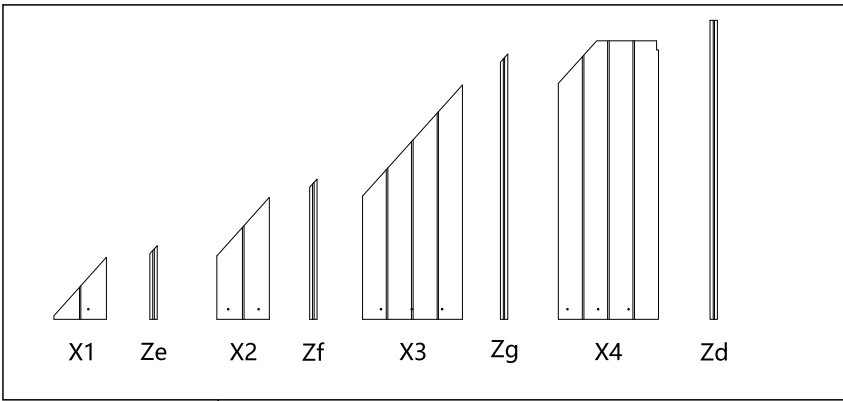
Inside View



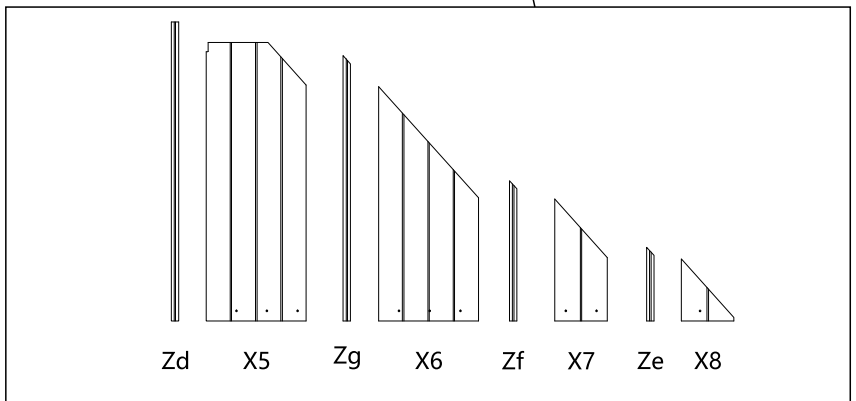


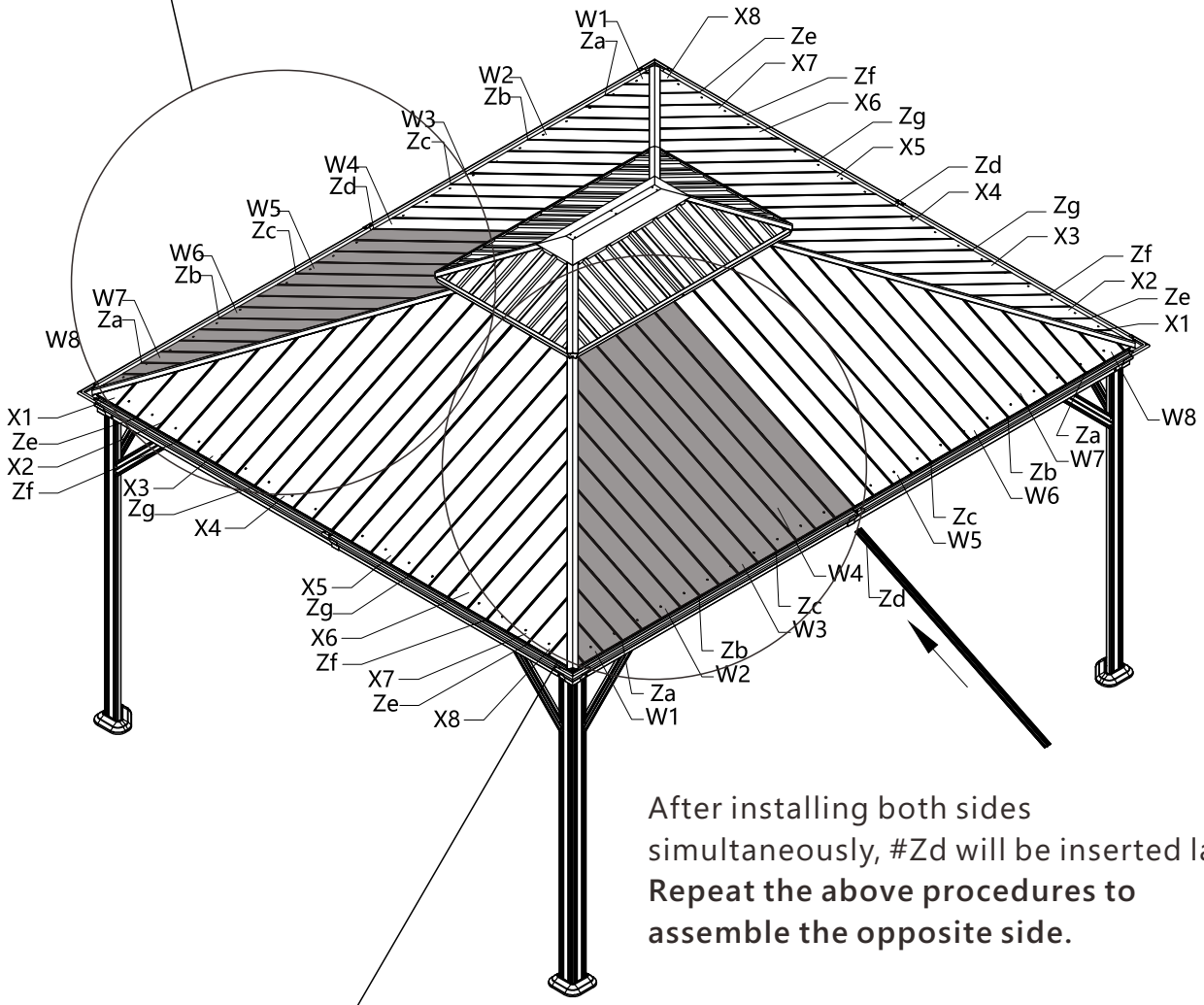
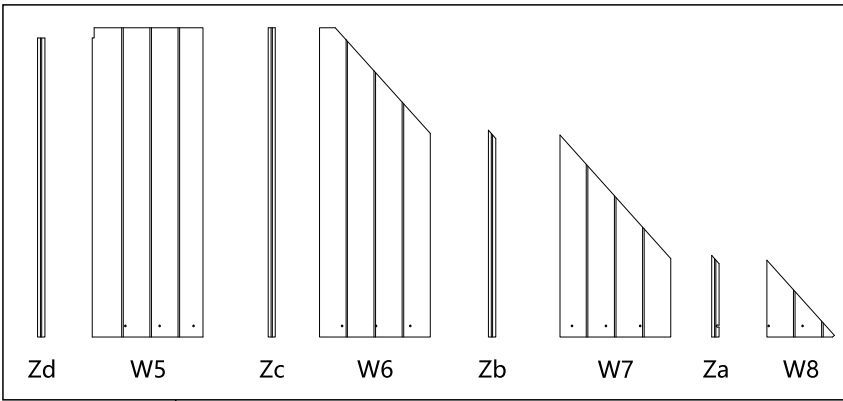
RESIN ROOF ASSEMBLY:



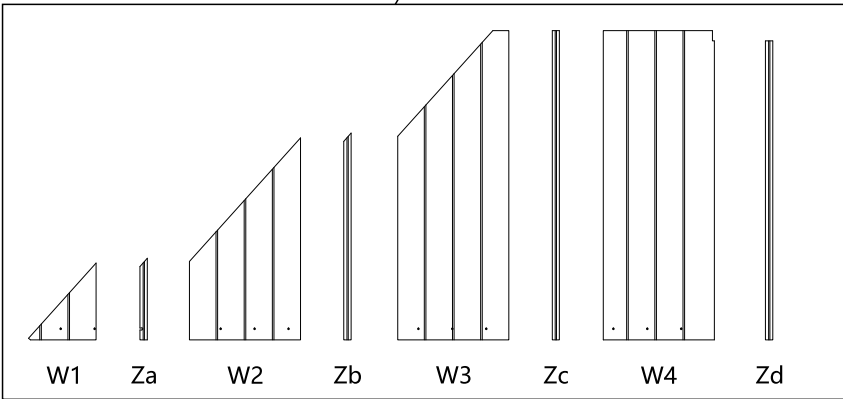


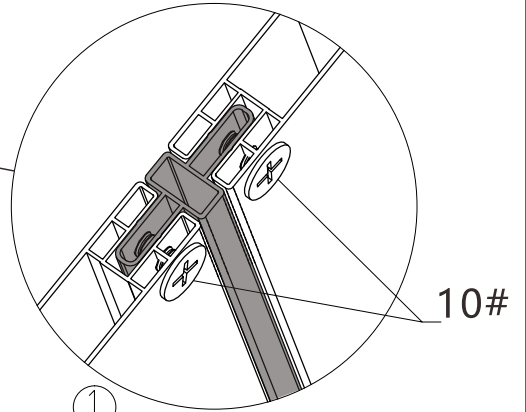
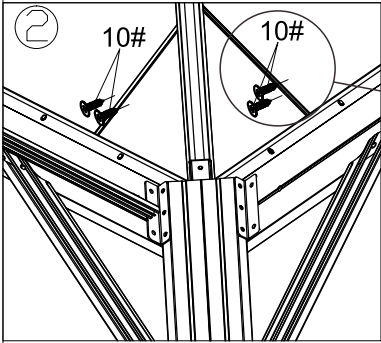
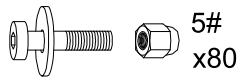
After installing both sides simultaneously, #Zd will be inserted last.
 Repeat the above procedures to assemble the opposite side.



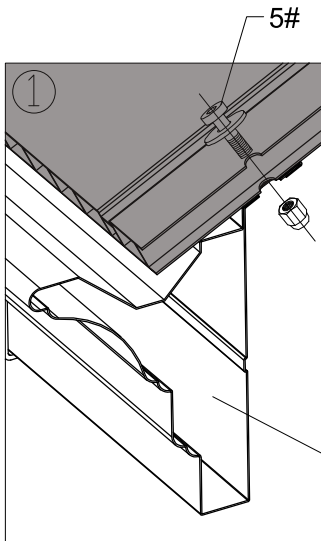
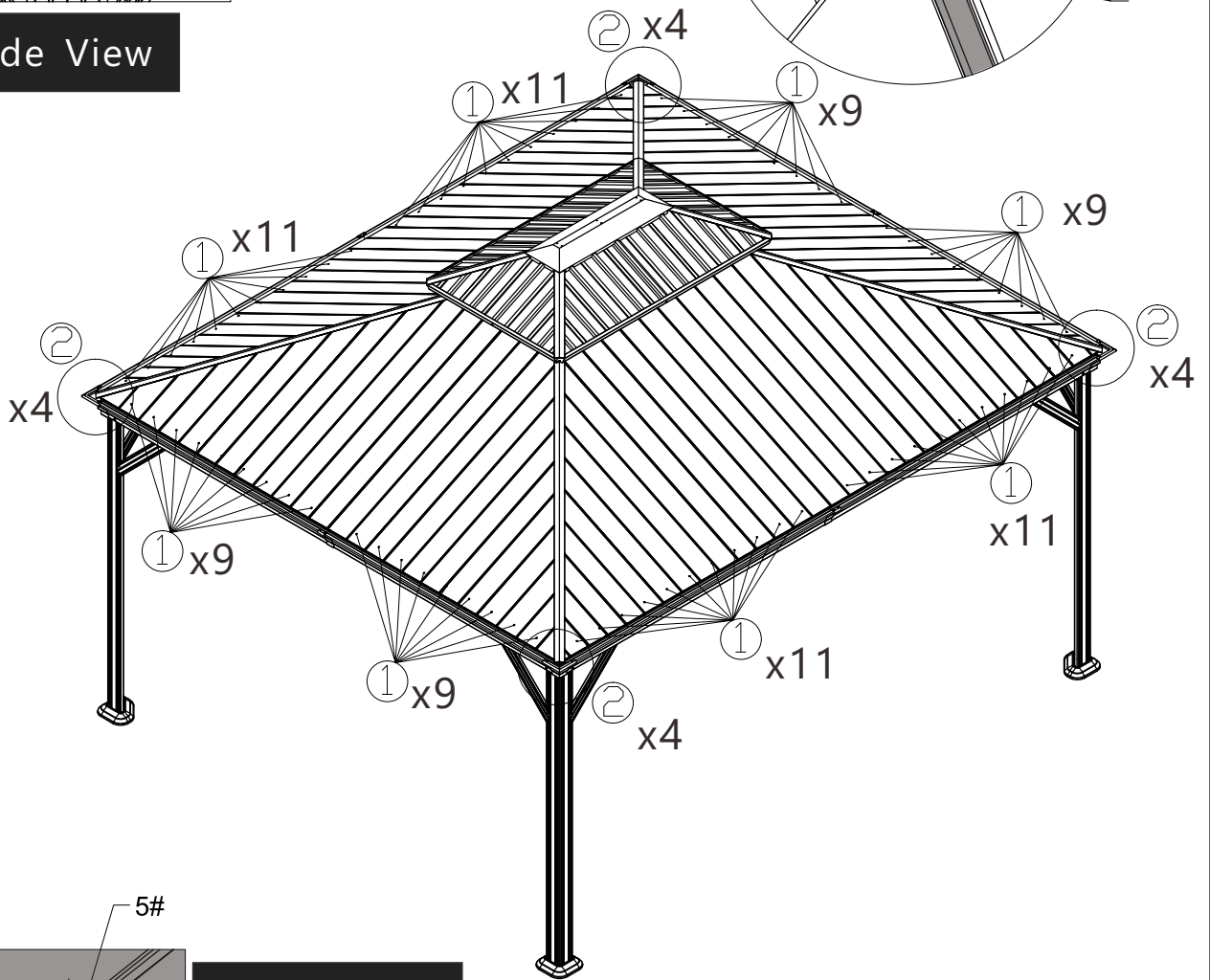


After installing both sides simultaneously, #Zd will be inserted last. Repeat the above procedures to assemble the opposite side.





Inside View

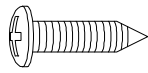


Section View

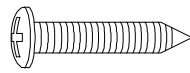
- ①: Use bolts #5 to secure the roof panel to the beam.
- ②: Use 4 screws #10 to secure the roof panels to the connecting rods #Za/Ze.

Repeat the above procedures to assemble the other 3 sides.

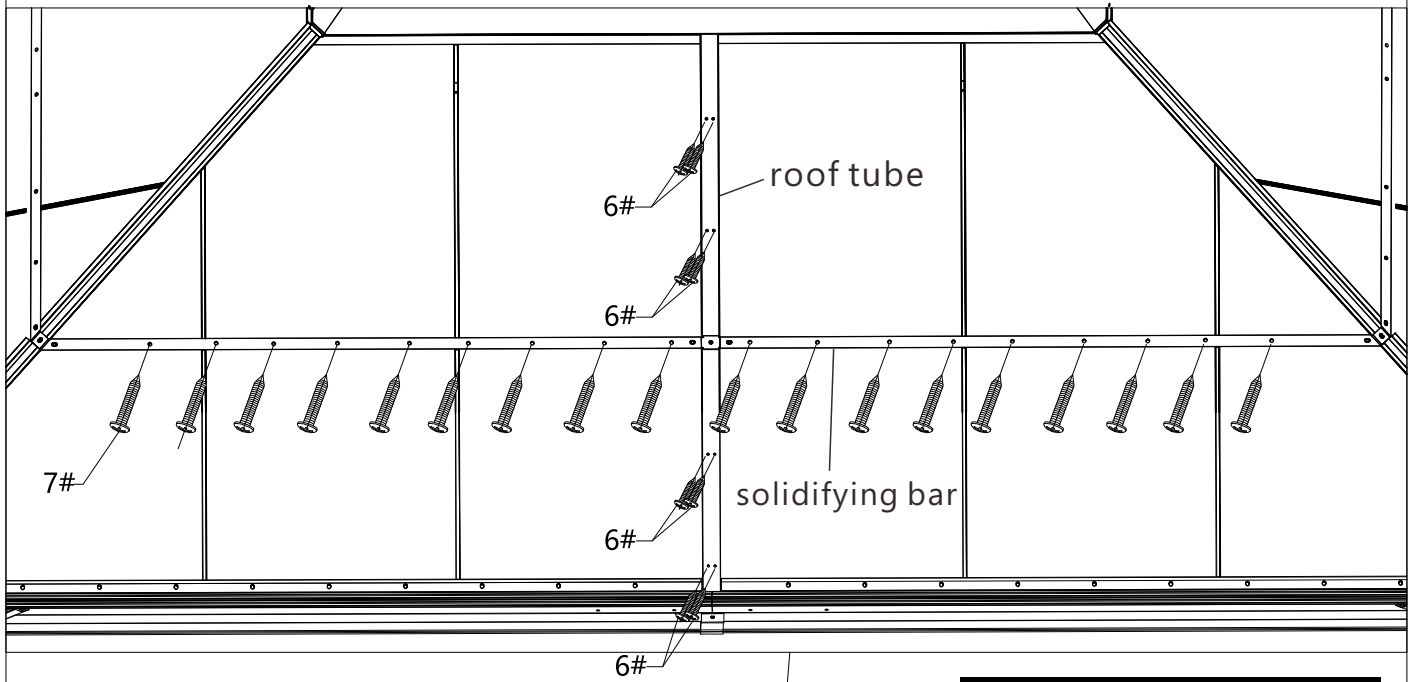
B/B1/B2/B3



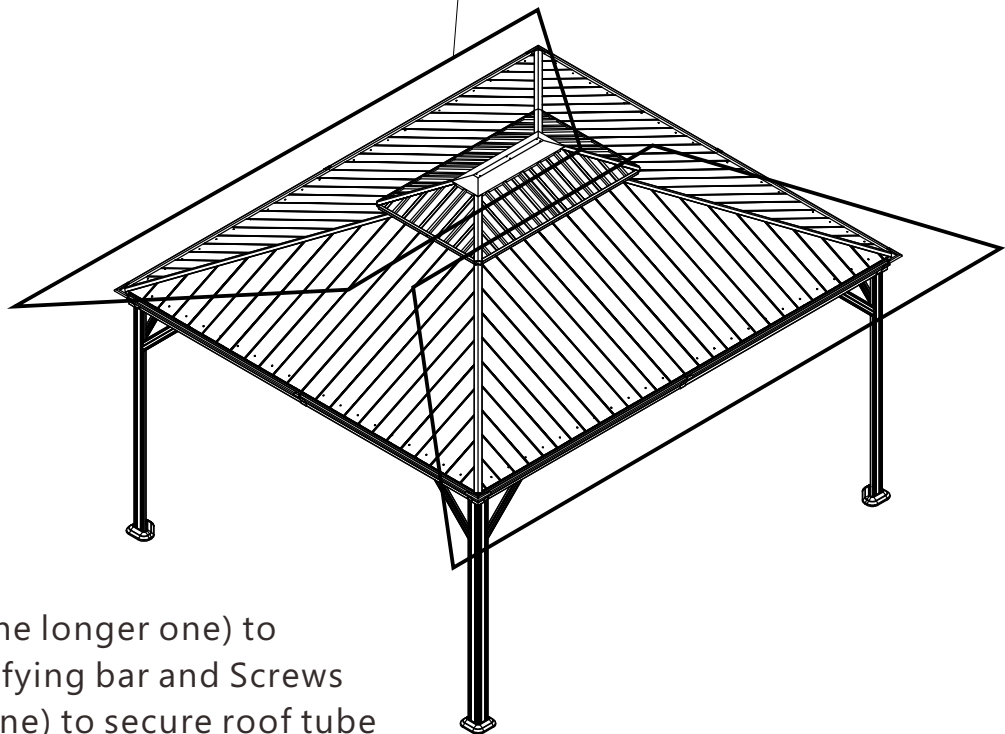
6# x16



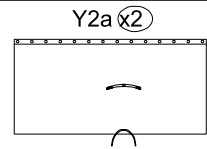
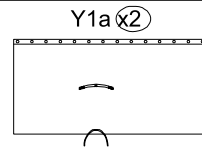
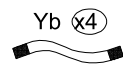
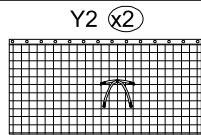
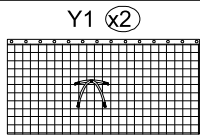
7# x36



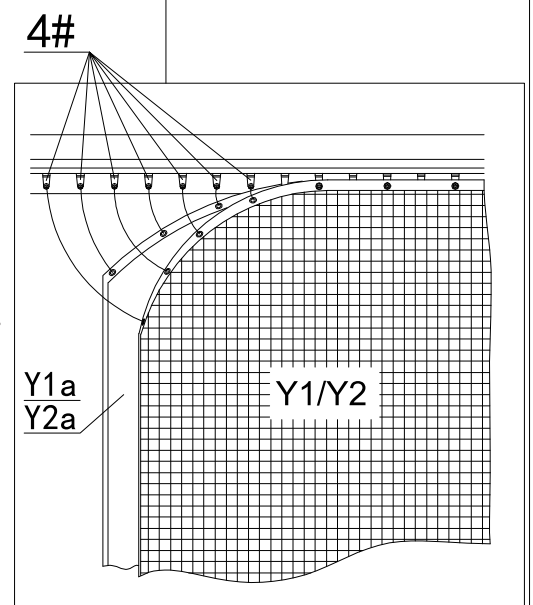
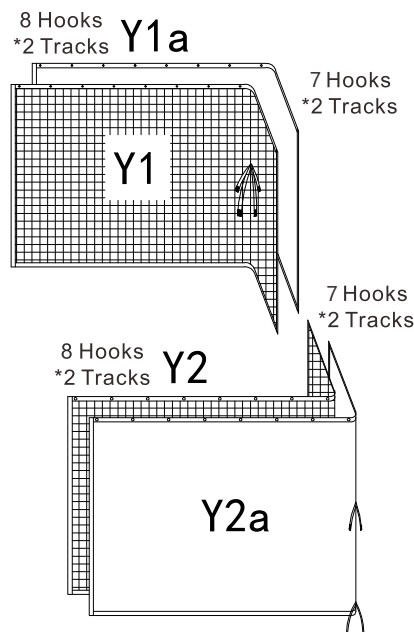
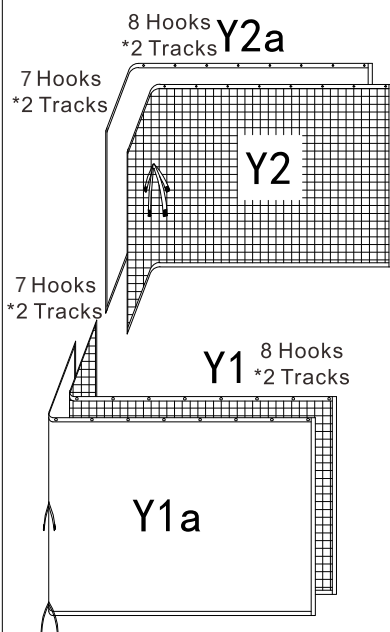
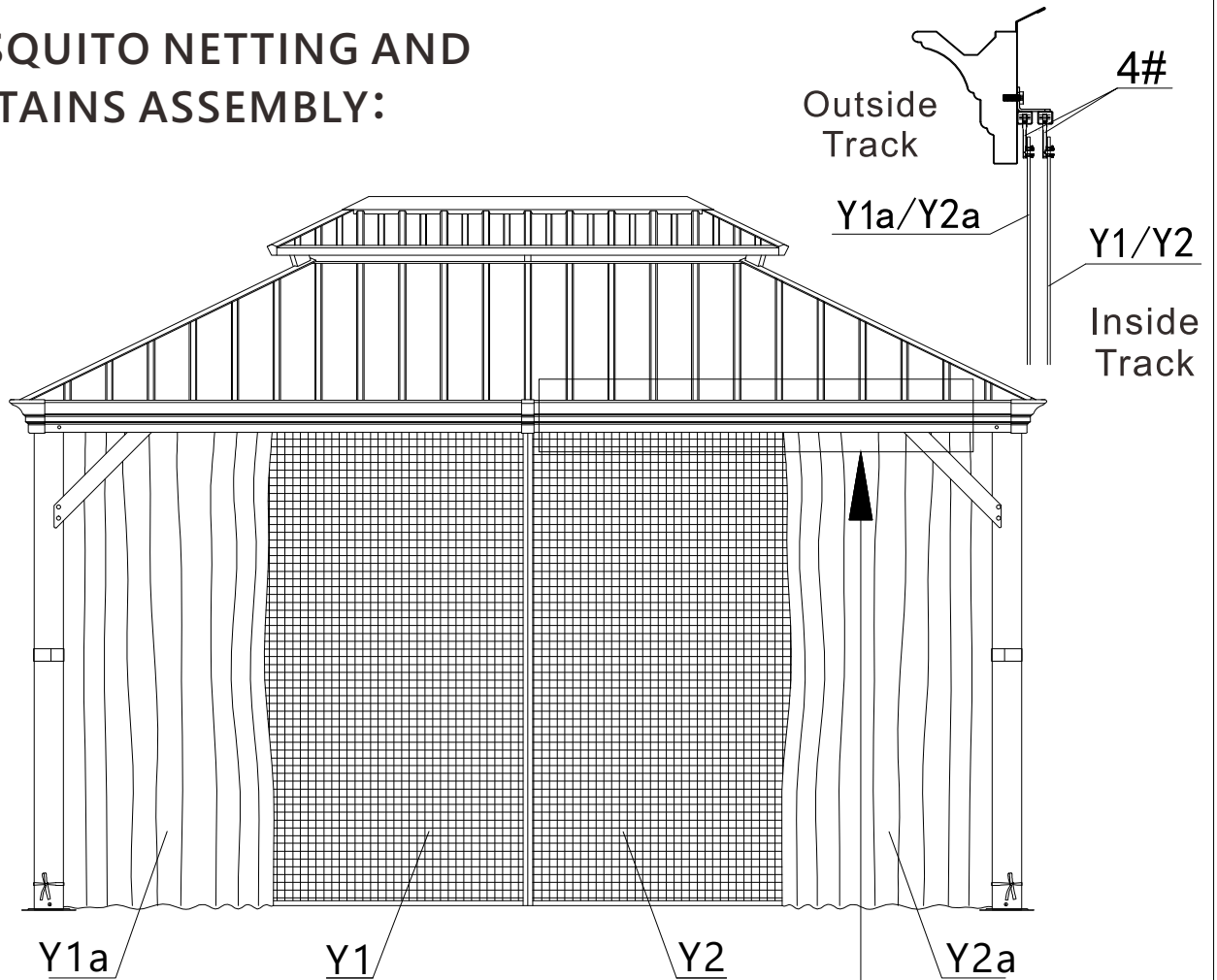
Inside View



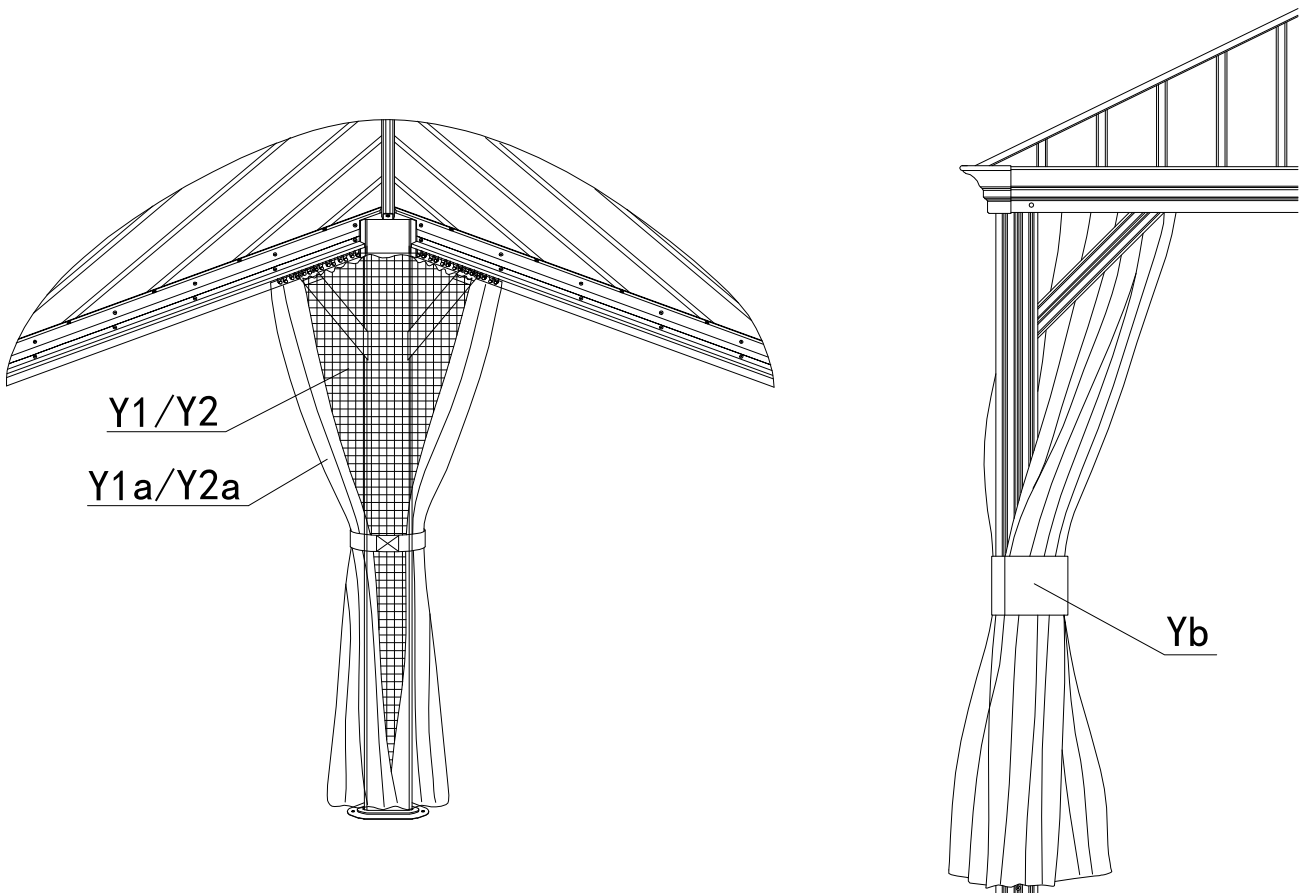
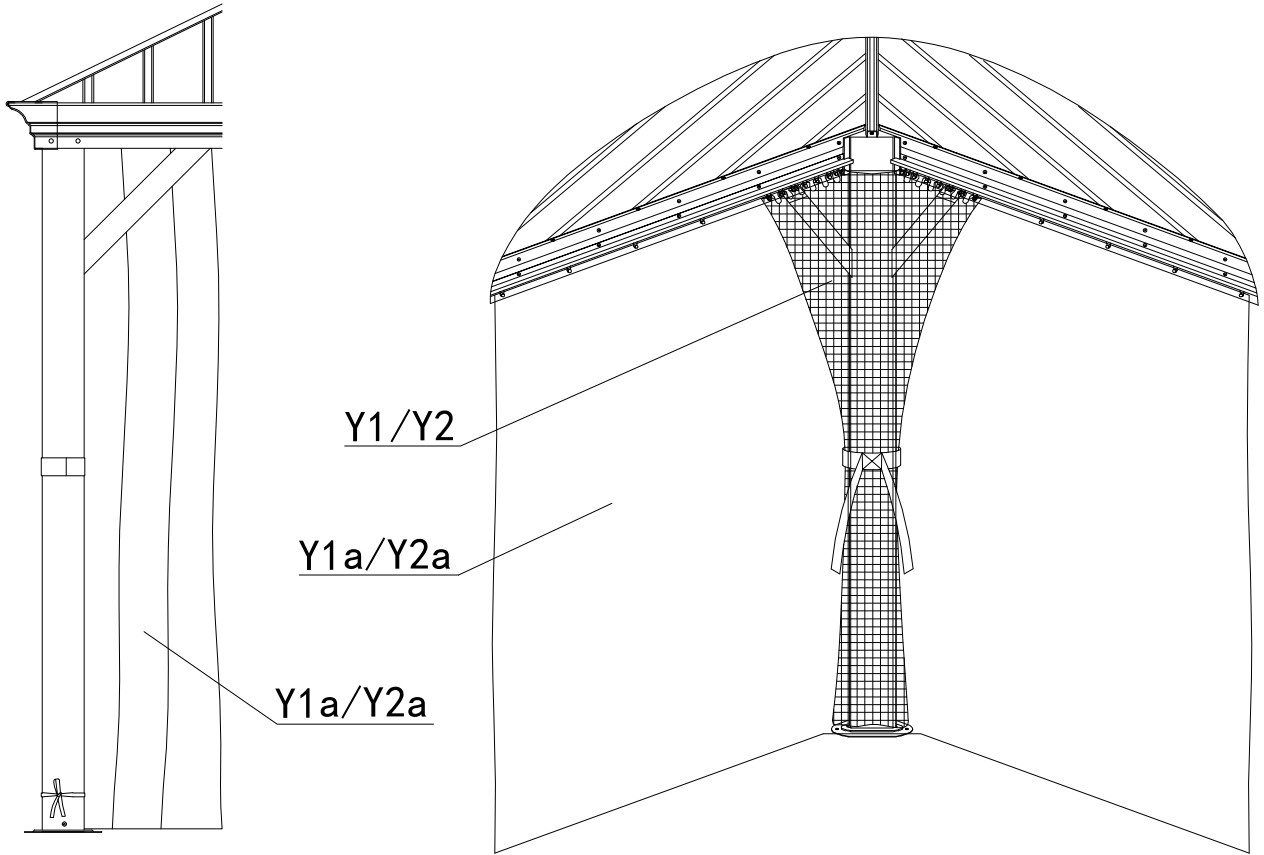
Use Screws #7 (the longer one) to secure the solidifying bar and Screws #6 (the shorter one) to secure roof tube to the roof panels.



MOSQUITO NETTING AND CURTAINS ASSEMBLY:



Please open your gazebo curtain when it is incoming over 30 mph wind, and tie with Strap #Yb.





Thanks for your purchase.

At domi outdoor living, we believe in our products.

That's why we provide a 12-month warranty and friendly, easy-to-reach after-sales service. So, if you have any questions about our product or assembly, please feel free to contact us. We are here for you.

Support:  

After-sales contact email:

service@domioutdoorliving.com

Business cooperation contact email:

marketing@domioutdoorliving.com

Please have your order ID available if you reach out for support.

If you have damaged parts or product, please send us photos for an immediate response.