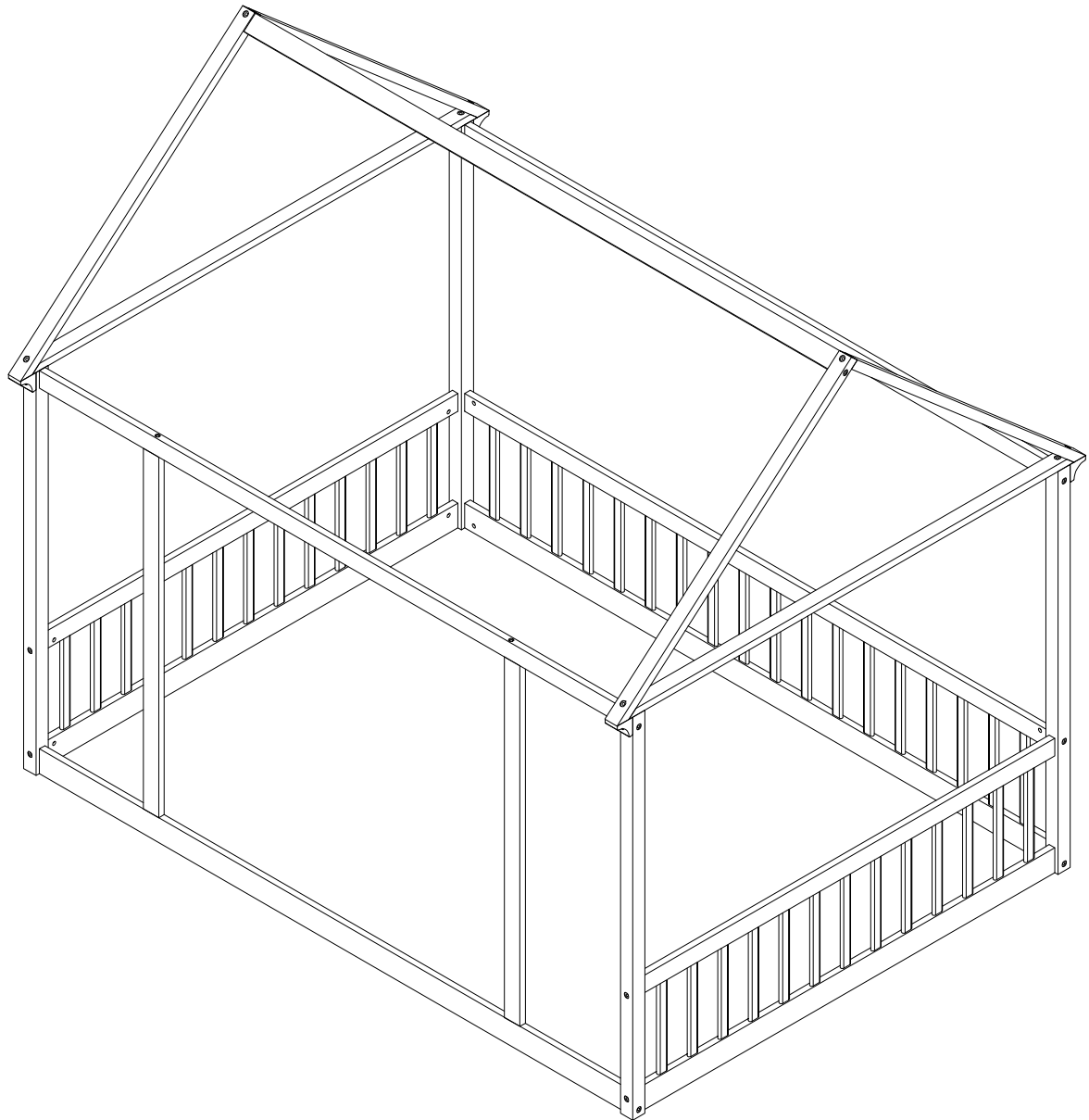


ASSEMBLY INSTRUCTION
SKU CODE: (BW00055)

FULL HOUSE BED

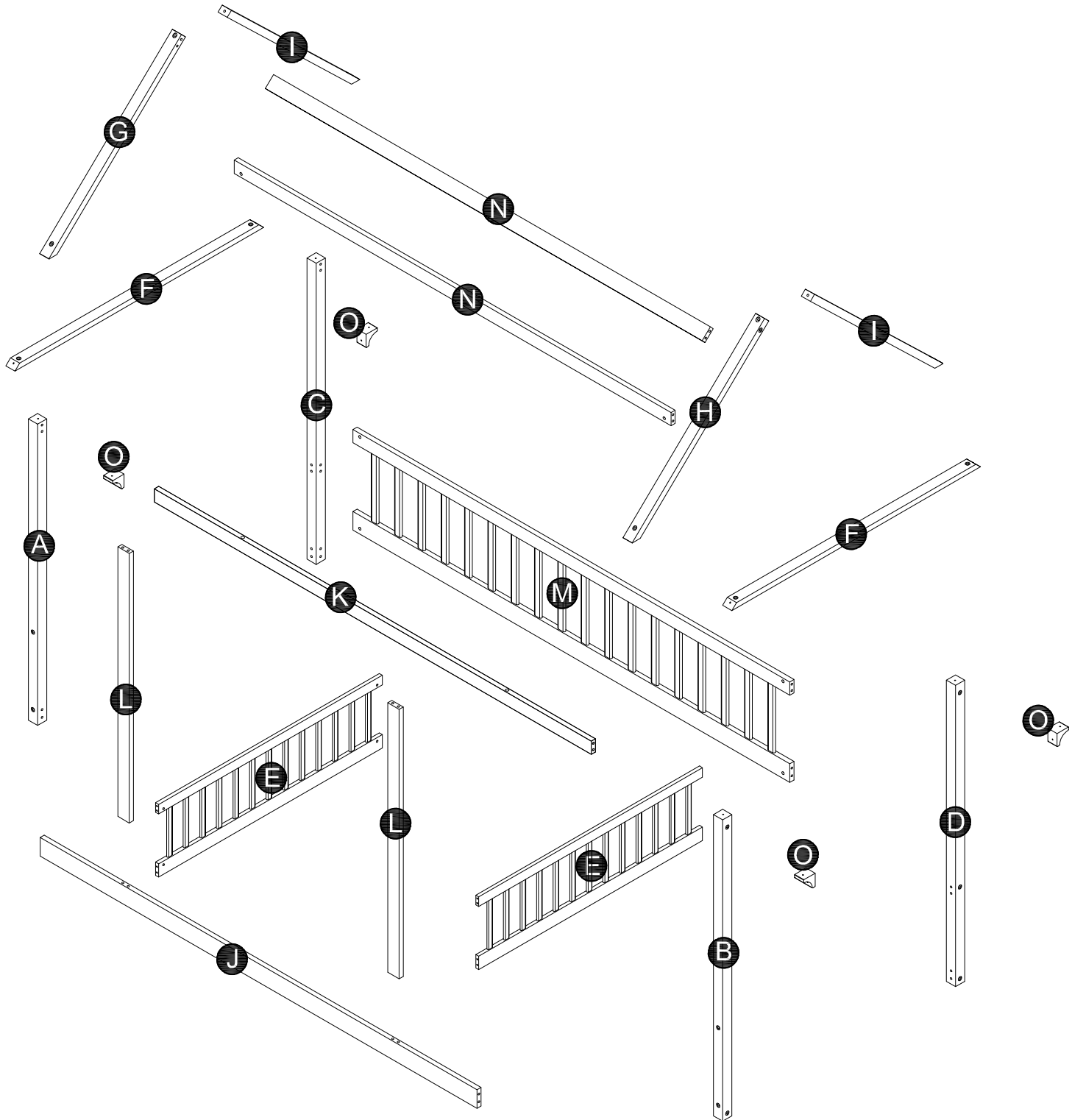
NOTE : Do Not Fully Tighten Screws until Fully Assembled







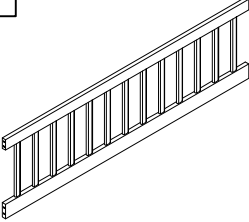
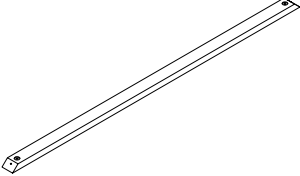
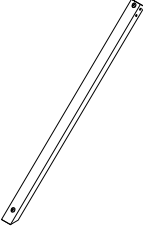
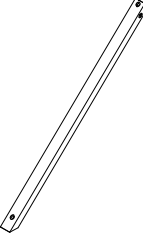
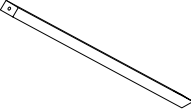
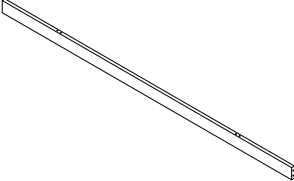
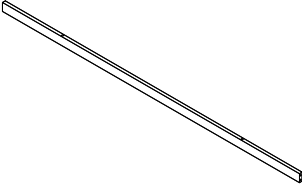

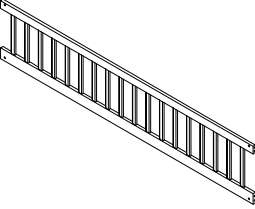
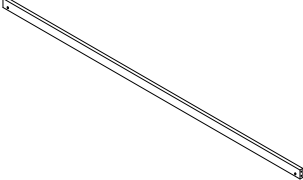
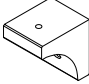
IMPORTANT NOTE

1. PLACE ALL PARTS ON A CLEAN AND SMOOTH SURFACE SUCH AS A RUG OR CARPET TO AVOID THE PARTS FROM BEING SCRATCHED.
2. BEFORE YOU BEGIN, KINDLY FOLLOW THE ASSEMBLY INSTRUCTIONS STEP BY STEP DO NOT TIGHTEN ALL SCREWS AND BOLTS UNTIL THE BED IS FULLY SET-UP



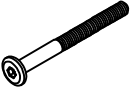

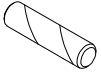
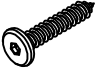


Detail View



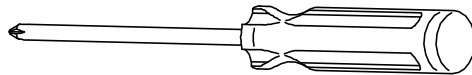
Note : Do Not Fully Tighten Screws until Fully Assembled

| | | | |
|---|---|--|---|
| A |  | B |  |
| Leg (Left Front) - 1pc | Leg (Right Front) - 1pc | C |  |
| | | Leg (Left Back) - 1pc | D |
| | | |  |
| Leg (Right Back) - 1pc | E | F | G |
|  |  |  | H |
| Frame HB/FB - 2pcs | Upper horizontal bar- 2pcs | Upper (Left front)- 1pc |  |
| | | | Upper (Right front)- 1pc |
| I | J | K | L |
|  |  |  |  |
| Upper (Back) - 2pcs | Rail(Front) - 1pc | Upper Horizontal (front) - 1pc | Vertical guard rail (front) - 2pcs |
| M | N | O | |
|  |  |  | |
| Long guard rail (Back) - 1pc | Horizontal bar (Top,Back) - 2pcs | Corner bar (Front,Back) - 4pcs | |

Note : Do Not Fully Tighten Screws until Fully Assembled




| | | | | |
|---|--|--|--|--|
| <p>1</p>  <p>(Ø15)1/4" * 80 mm Hex-Head bolts 20 pcs</p> | <p>2</p>  <p>(Ø12)1/4" * 90 mm Hex-Head bolts 4 pcs</p> | <p>3</p>  <p>(Ø15)1/4" * 65 mm Hex-Head bolts 2 pcs</p> | <p>4</p>  <p>Ø10 * 1/4"*12mm Horizontal-Hole bolts 26 pcs</p> | <p>5</p>  <p>Ø8*30 mm Wood dower 24 pcs</p> |
| <p>6</p>  <p>(Ø15) 1/4" * 45 mm Hex-Head bolts 8 pcs</p> | <p>7</p>  <p>M4 x 25 mm Wood Screws 8 pcs</p> | <p>8</p>  <p>(1/4)4.5*58mm Allen key 1 pc</p> | | |

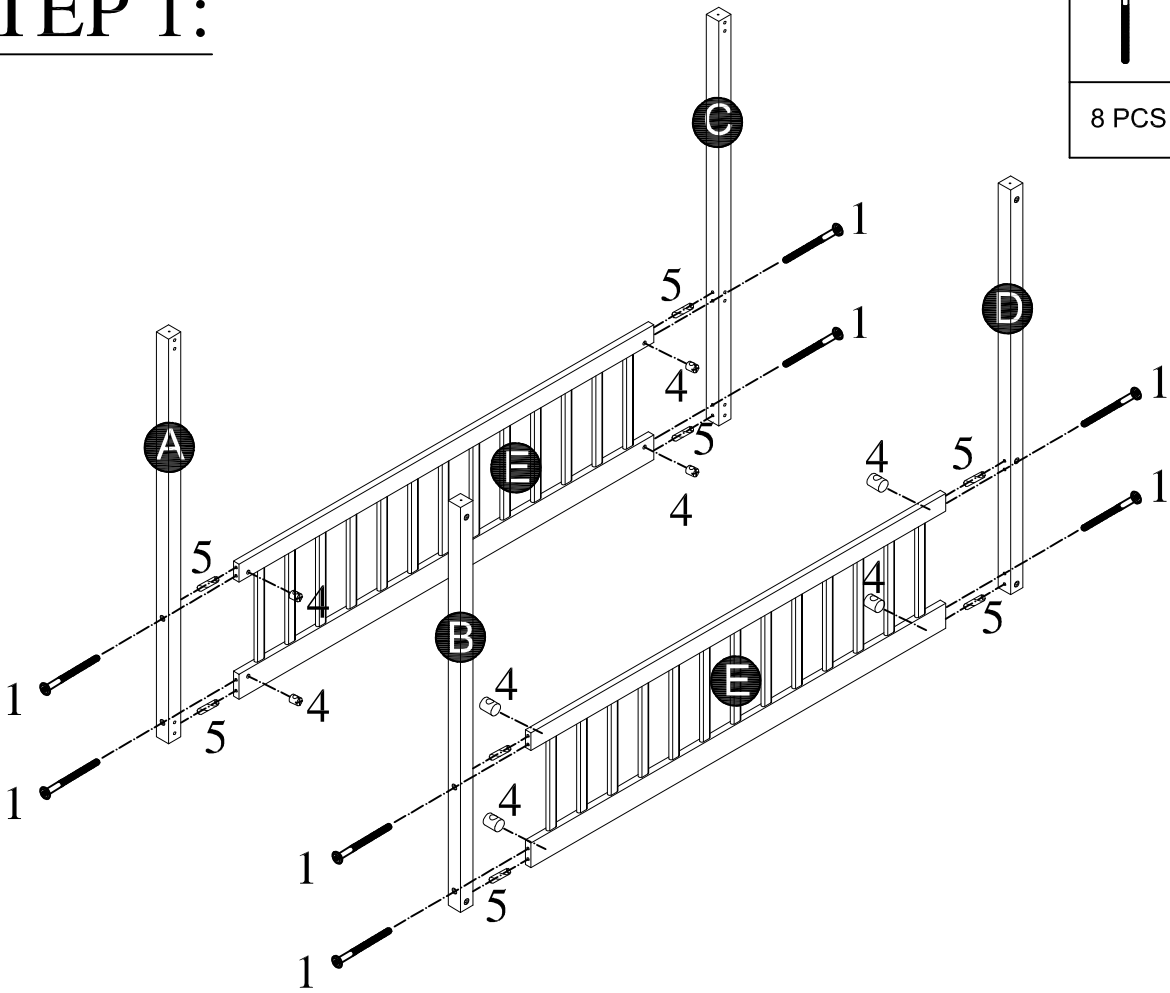
ASSEMBLY TOOLS REQUIRED (NOT INCLUDED)




PLEASE BE CAREFUL DO NOT DAMAGE THE HOLE POSITION WHEN YOU USE POWER TOOLS !

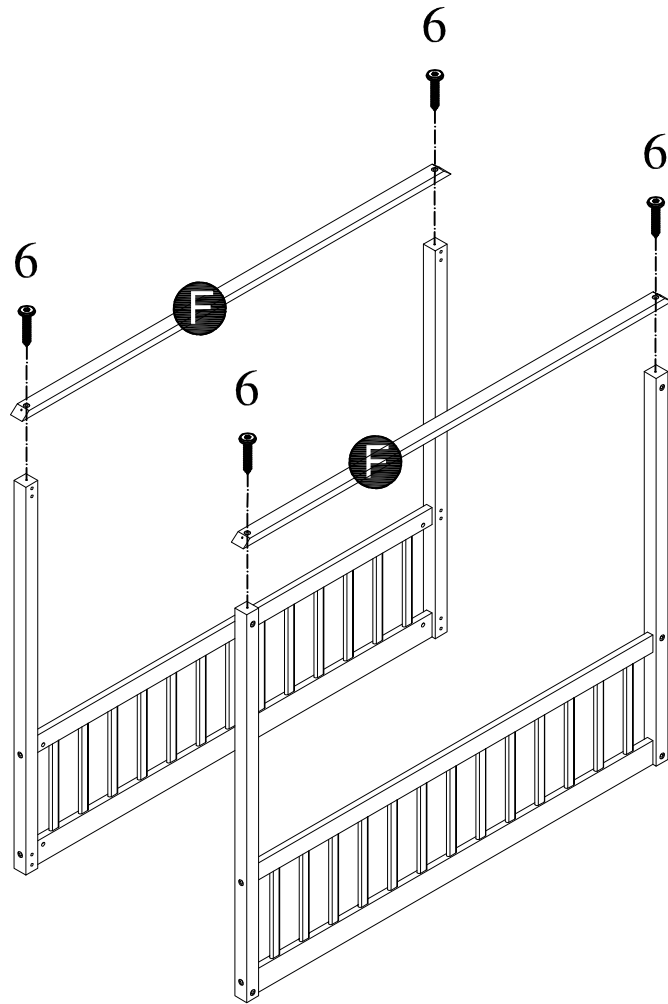
STEP 1:

| | | |
|--|---|--|
| 1 | 4 | 5 |
|  |  |  |
| 8 PCS | 8 PCS | 8 PCS |

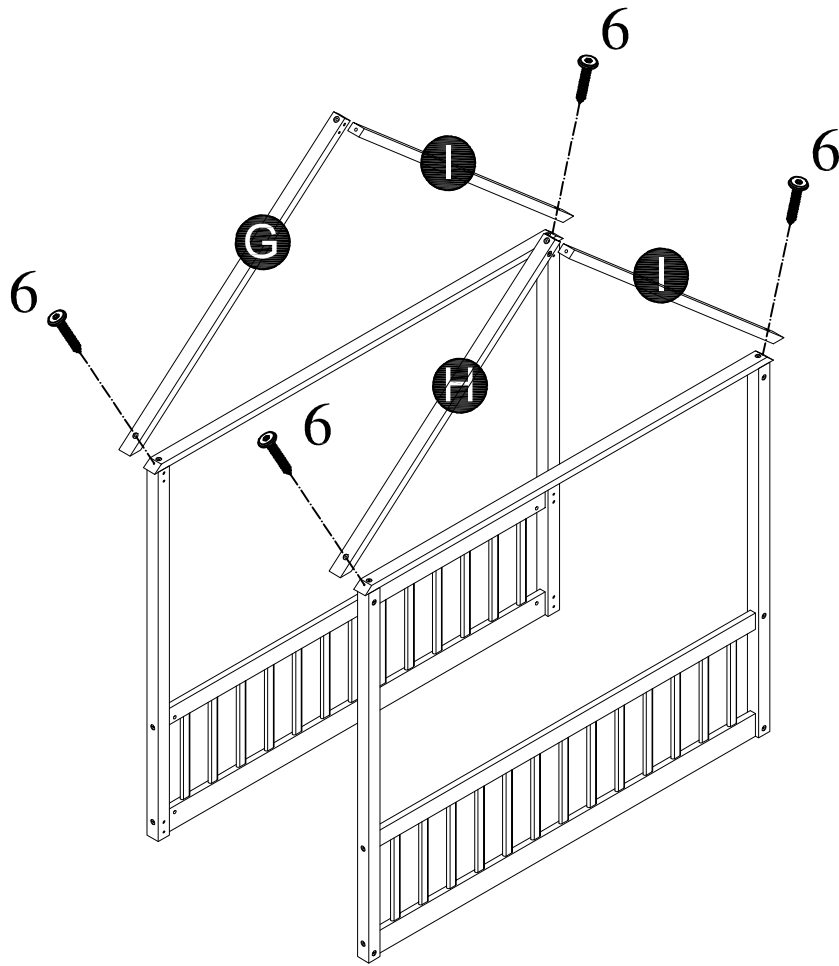


STEP 2:

| |
|---|
| 6 |
|  |
| 4 PCS |



STEP 3:

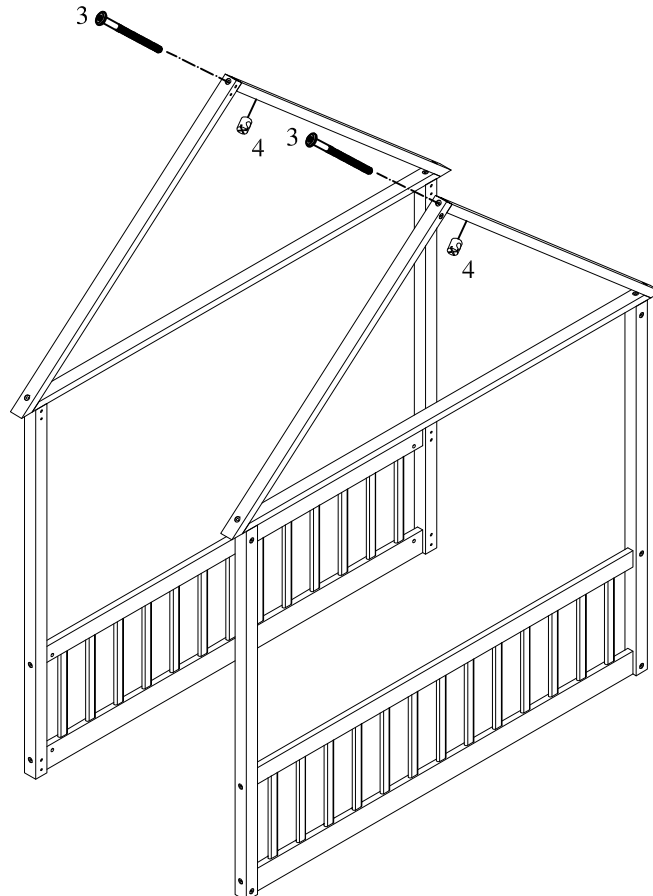


6



4 PCS

STEP 4:



3



2 PCS

4



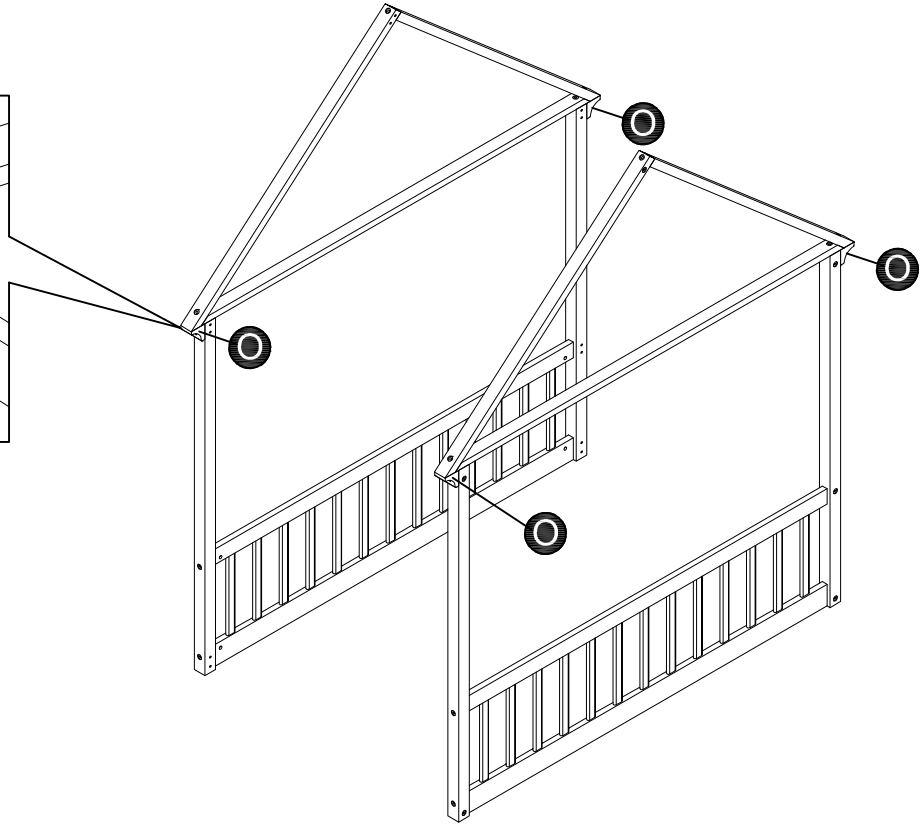
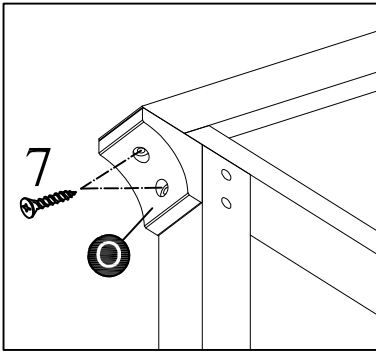
2 PCS

STEP 5:

7



8 PCS



STEP 6:

2

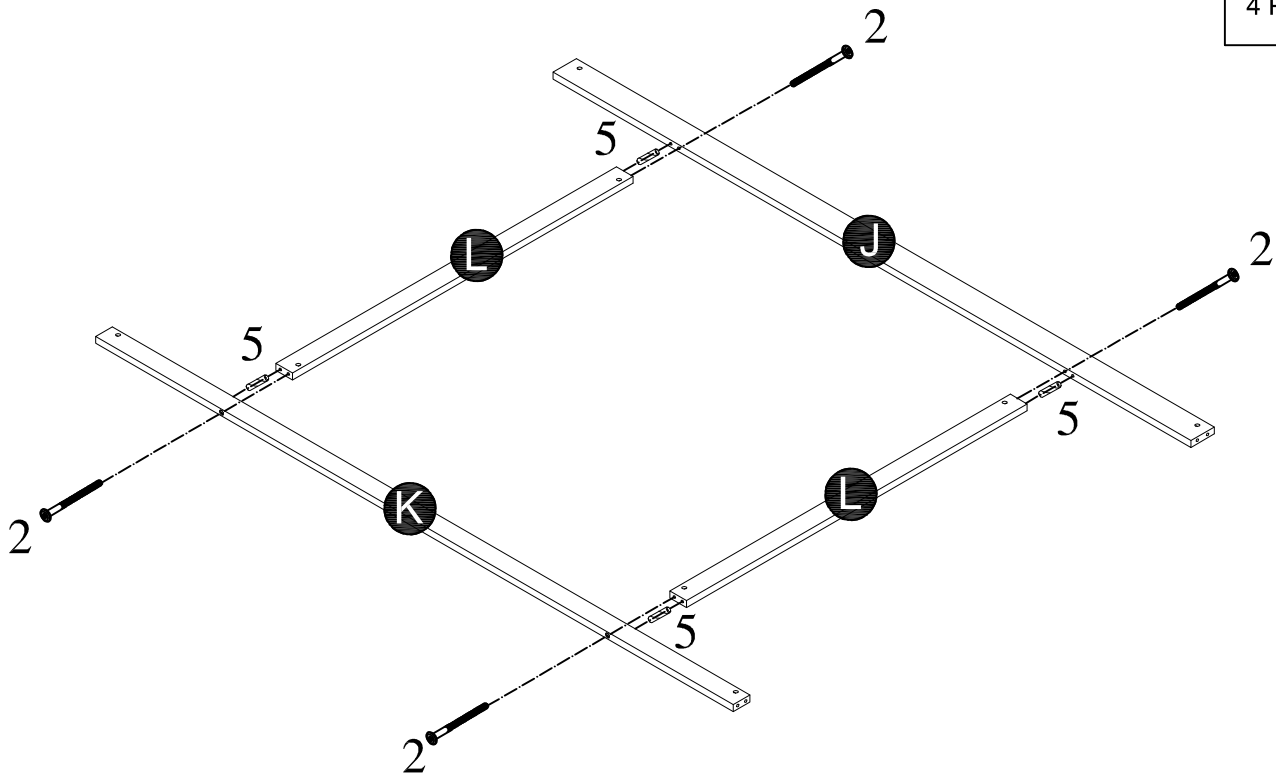


4 PCS




4

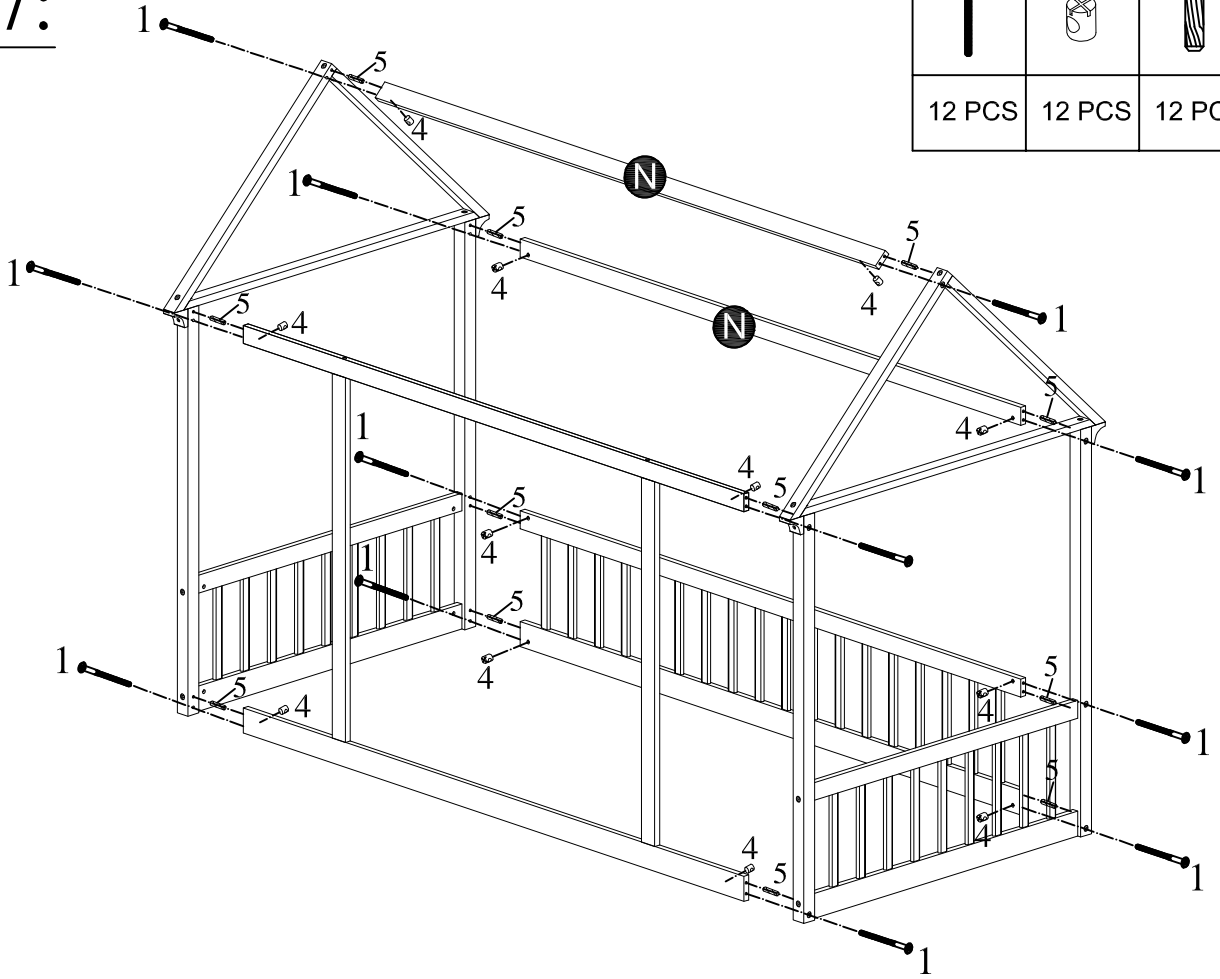


4 PCS



STEP 7:

| | | |
|--|---|--|
| 1 | 4 | 5 |
|  |  |  |
| 12 PCS | 12 PCS | 12 PCS |



COMPLETED:

