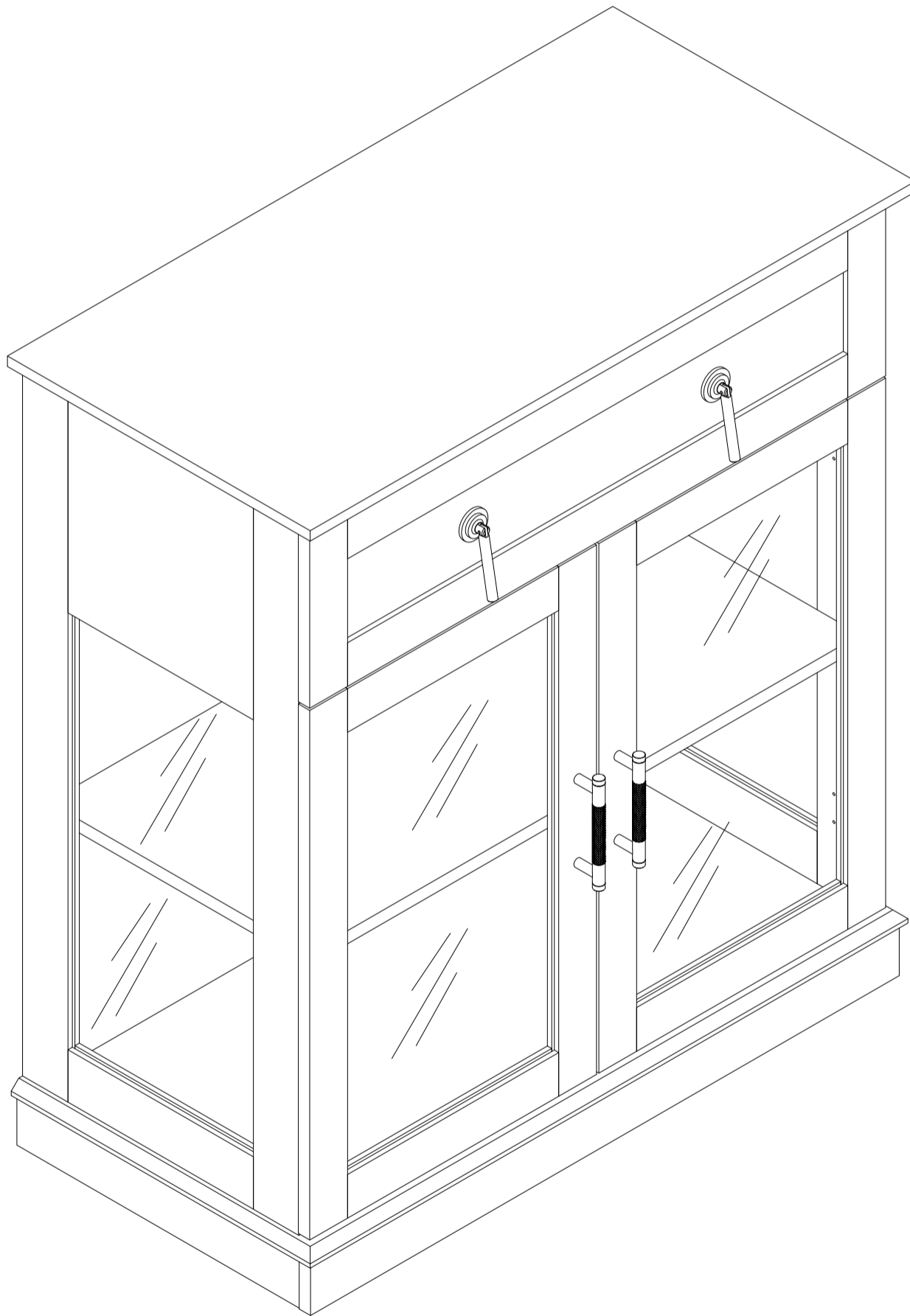


PZKJ-0040

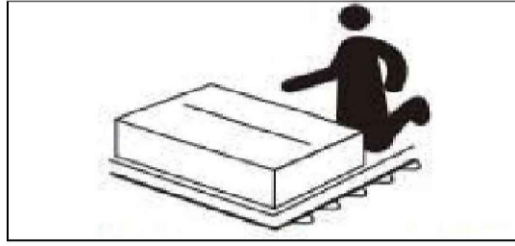
PZKJ-0041



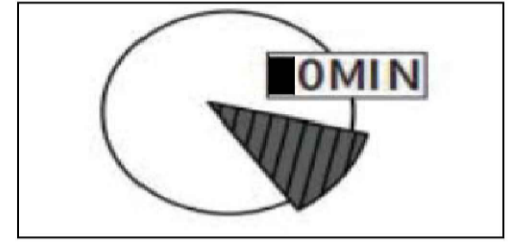
"IMPORTANT, RETAIN FOR FUTURE REFERENCE: READ CAREFULLY"



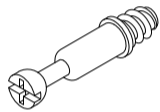
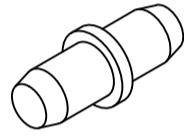


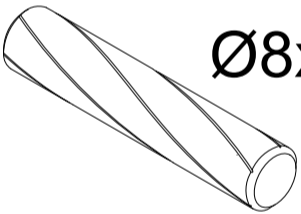

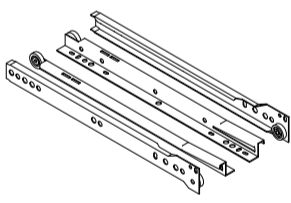
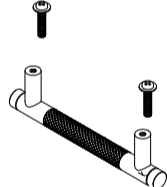
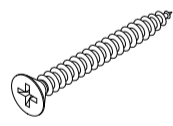
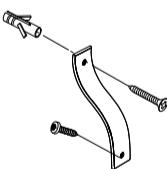
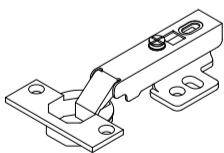
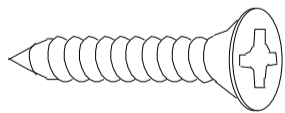

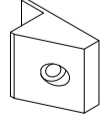
Recommended installers:2

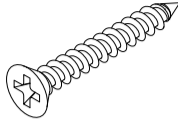

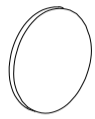

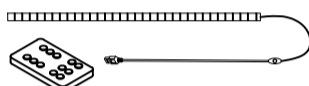
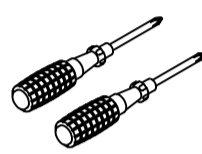


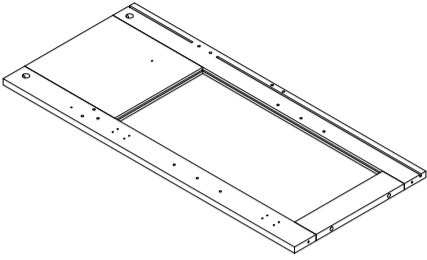
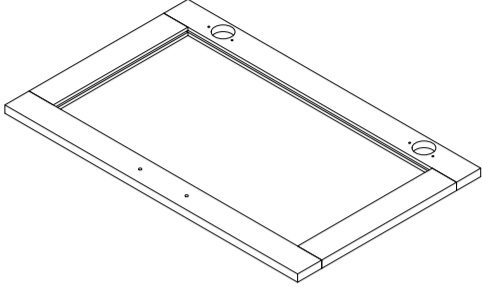
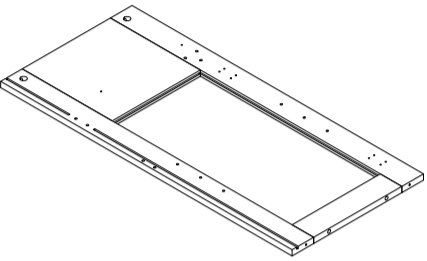
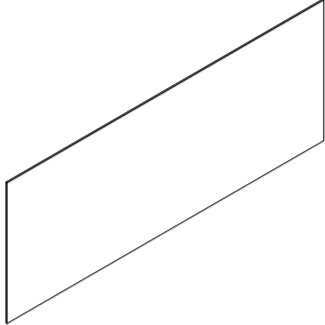
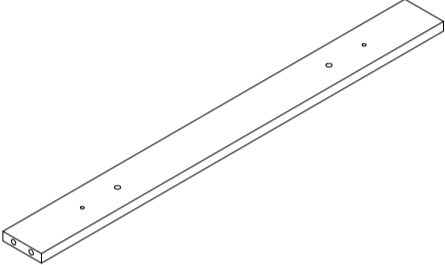
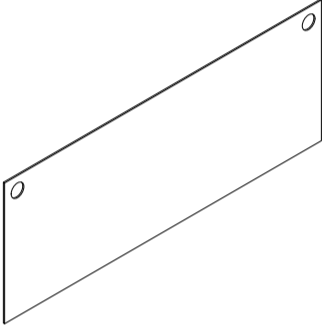
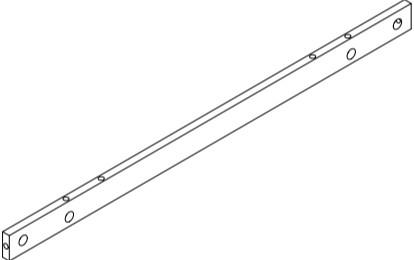
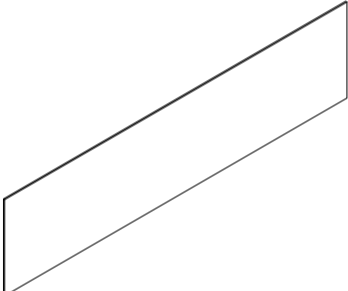
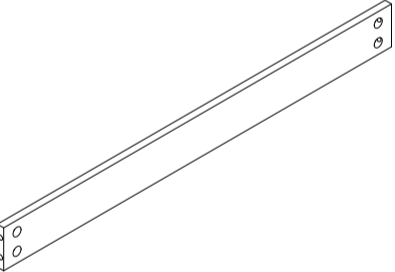
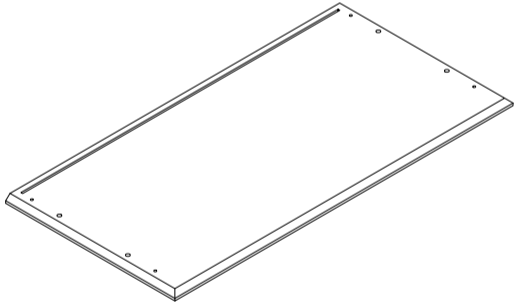
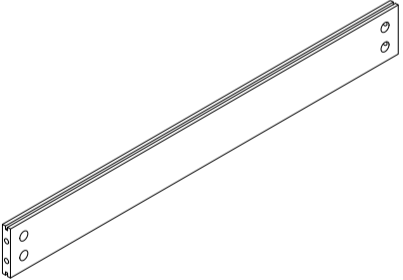
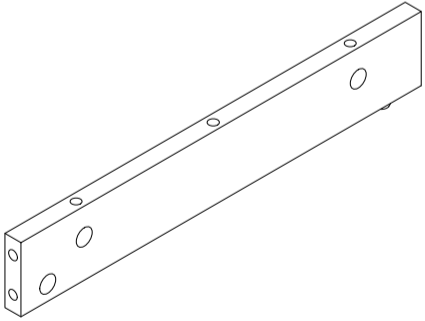
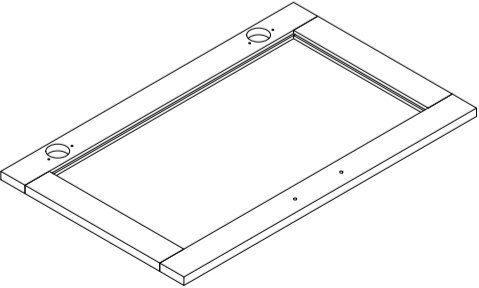
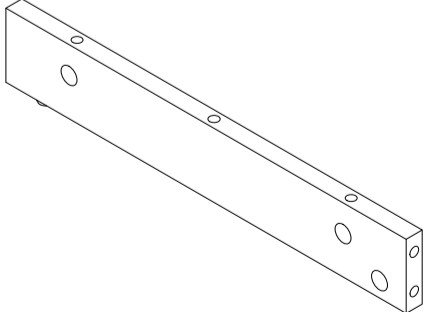
Put a carpet on the floor before unpacking

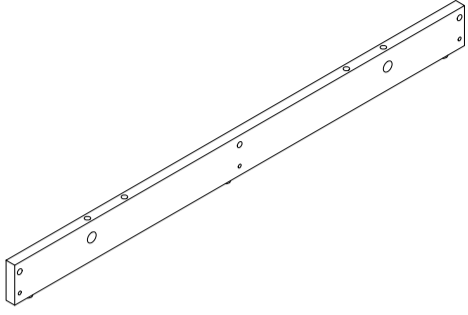
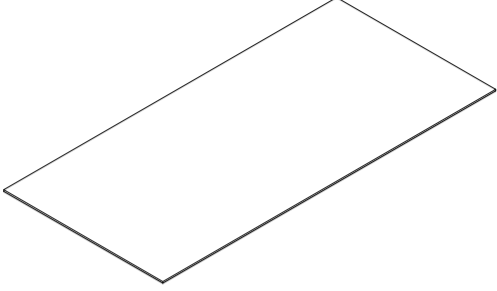
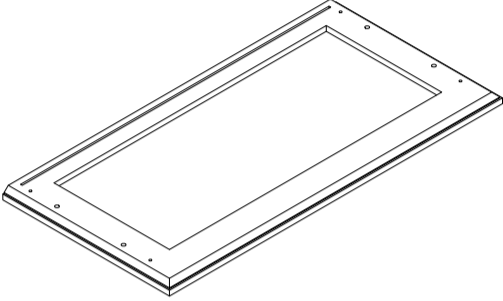
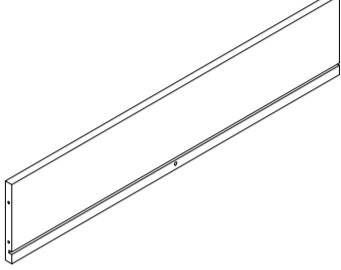
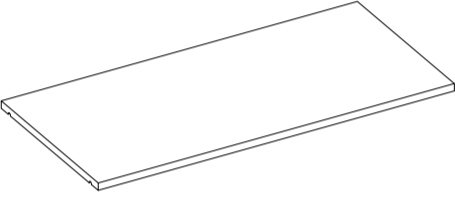
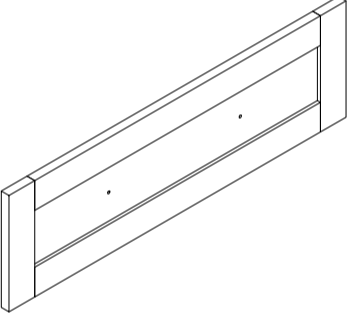
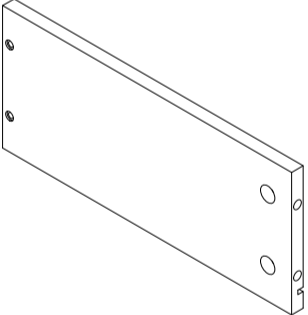
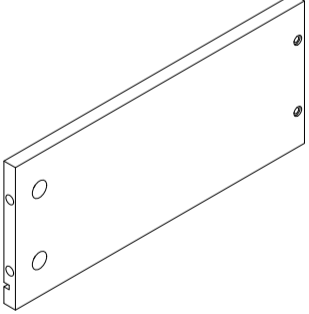
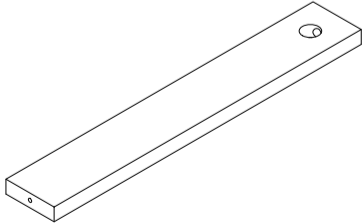


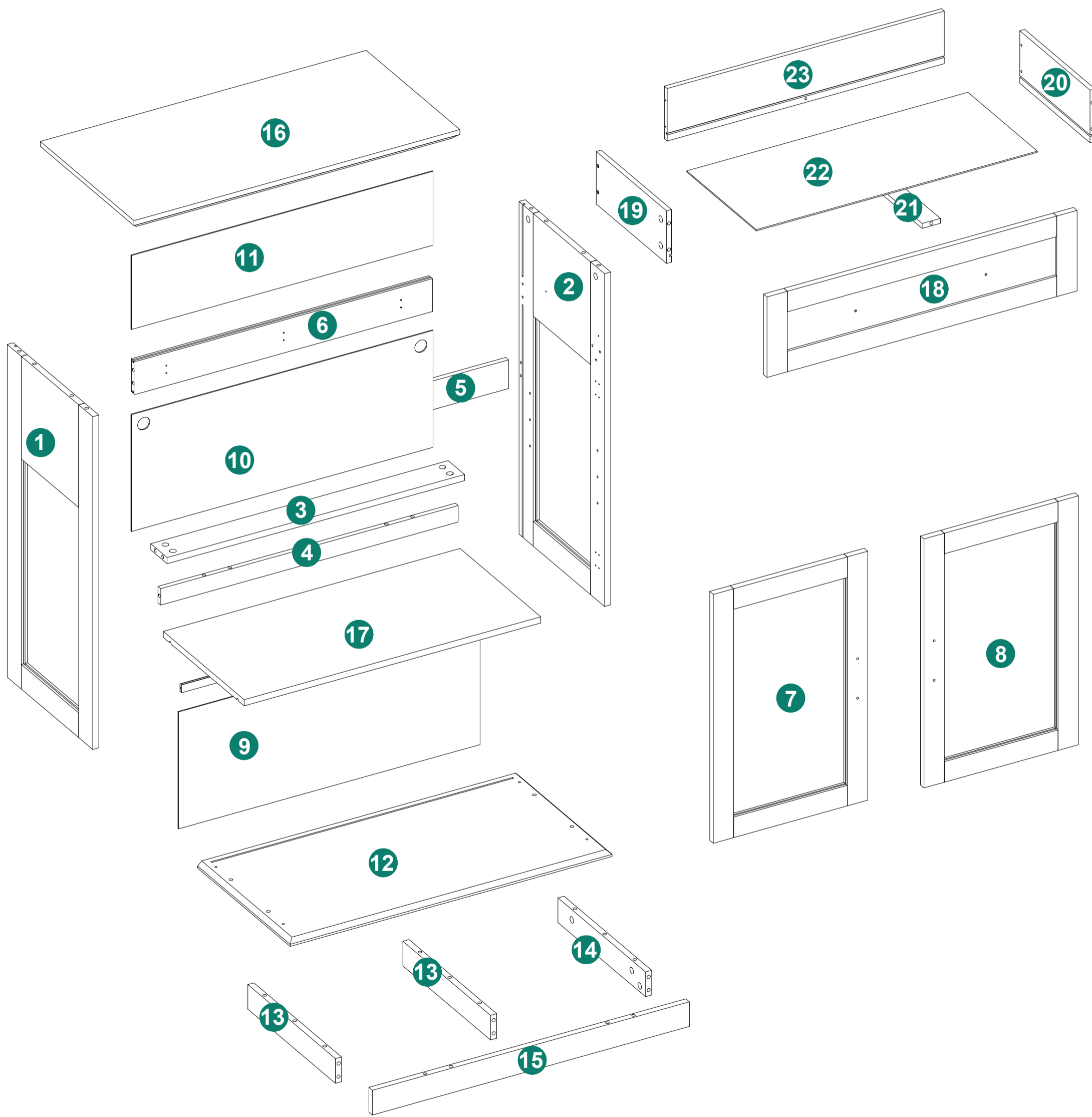
Estimate installation time: 120 minutes

Item No.	Reference Image	Qty.	Item No.	Reference Image	Qty.
A	 Ø6x32mm	36 PCS	H	 5*16mm	4 PCS
B	 Ø15x10mm	36 PCS	I	 M3*14mm	8 PCS
C	 Ø8x30mm	18 PCS	J		3 PCS
D	 12"	1 set	K		2 sets
E	 M5x45mm	4 PCS	L		2 sets
F		4 PCS	M	 M3x16mm	18 PCS
G	 M3.5x14mm	24 PCS	N		12 PCS

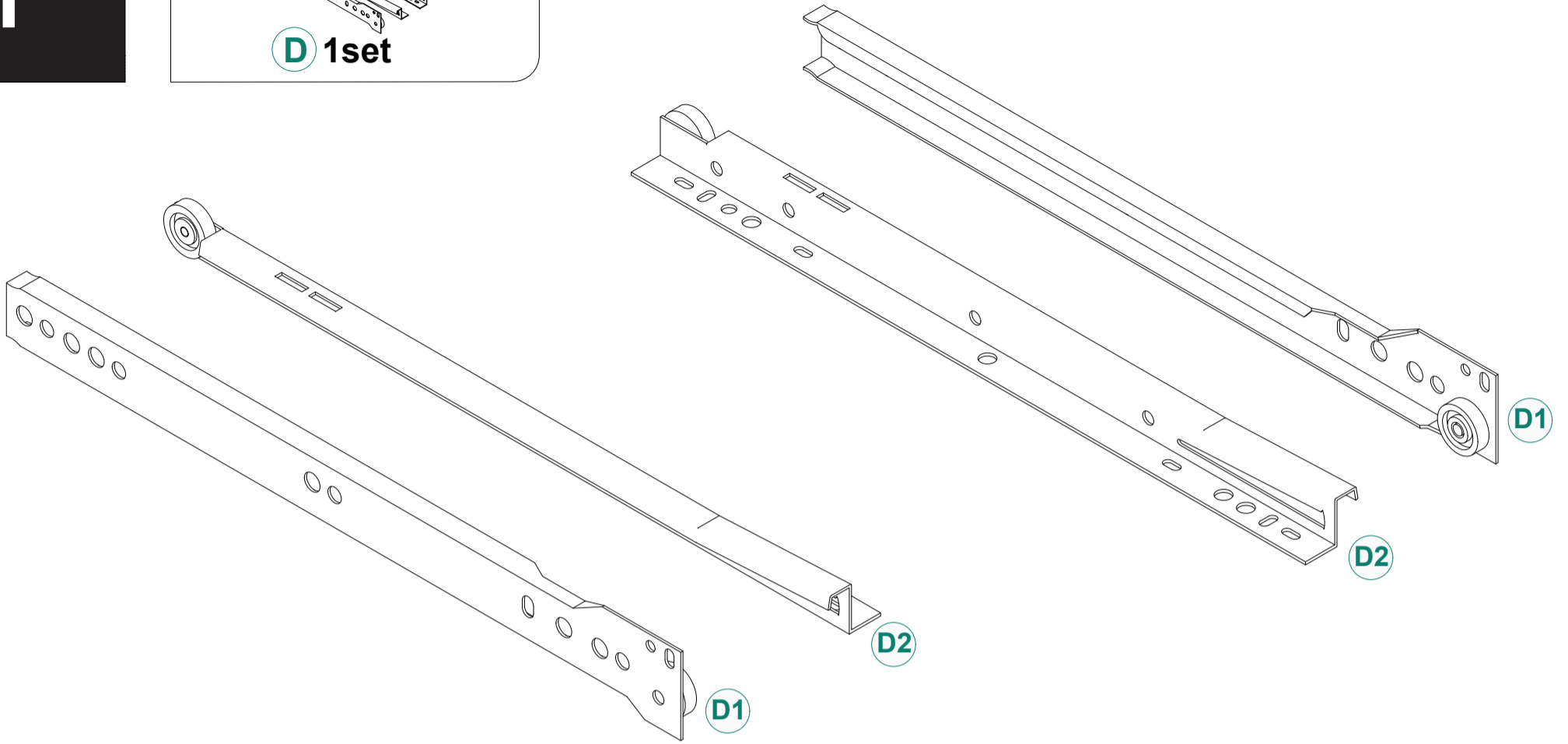
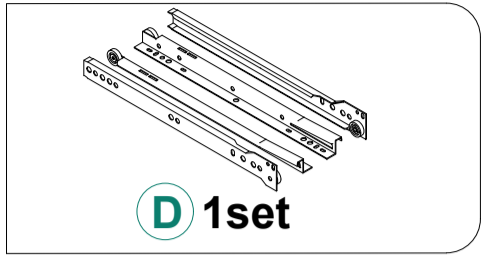
Item No.	Reference Image	Qty.	Item No.	Reference Image	Qty.
O	 M4*30mm	5 PCS	R		2 sets
P	 Ø20mm	20 PCS	S	 729mm	1 PC
Q		1 set			2 PCS

Item	Reference Image	Qty.	Item No.	Reference Image	Qty.
1		X 1	8		X 1
2		X 1	9		X 1
3		X 1	10		X 1
4		X 1	11		X 1
5		X 1	12		X 1
6		X 1	13		X 2
7		X 1	14		X 1

Item No.	Reference Image	Qty.	Item No.	Reference Image	Qty.
15		X 1	22		X 1
16		X 1	23		X 1
17		X 1			
18		X 1			
19		X 1			
20		X 1			
21		X 1			



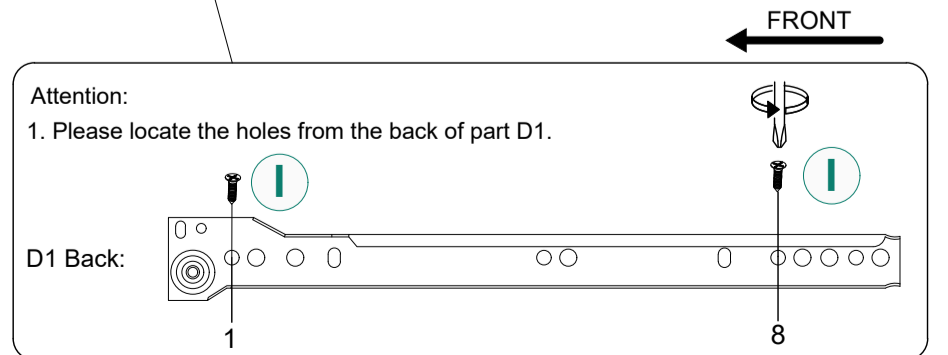
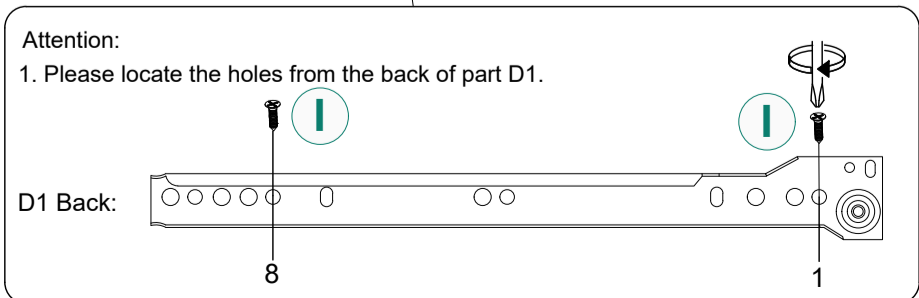
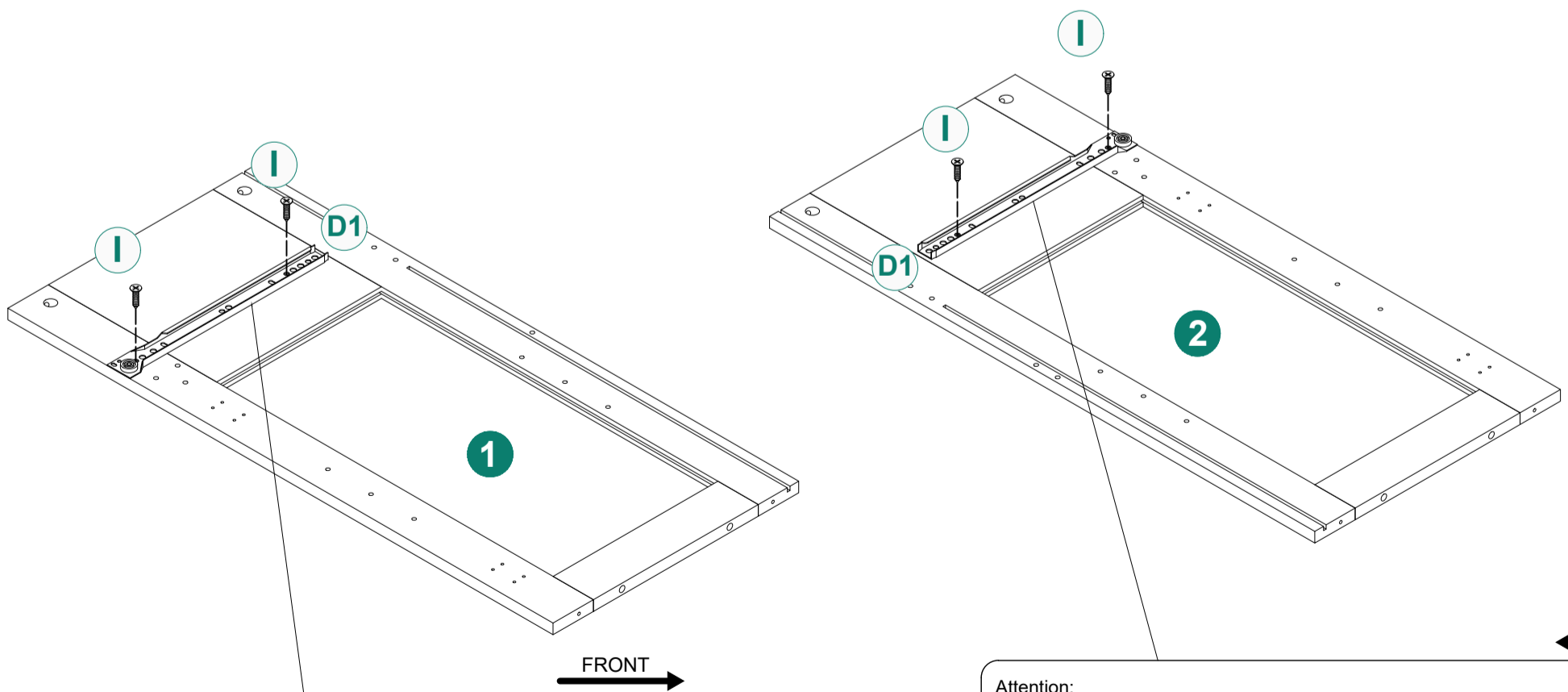
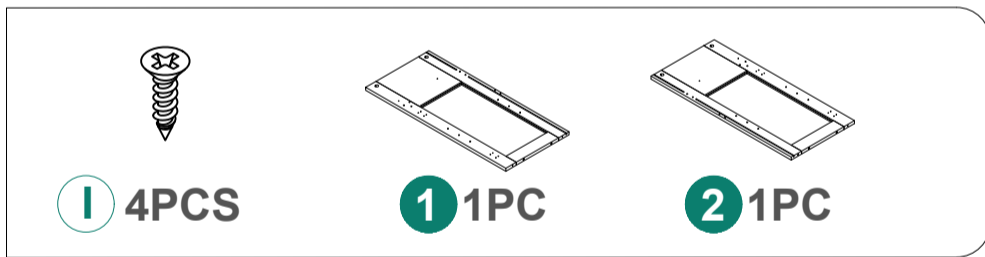
1



D1 installed on No.1 and 2(Step2)

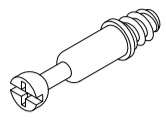
D2 installed on the bottom of the drawer.(Step 27)

2

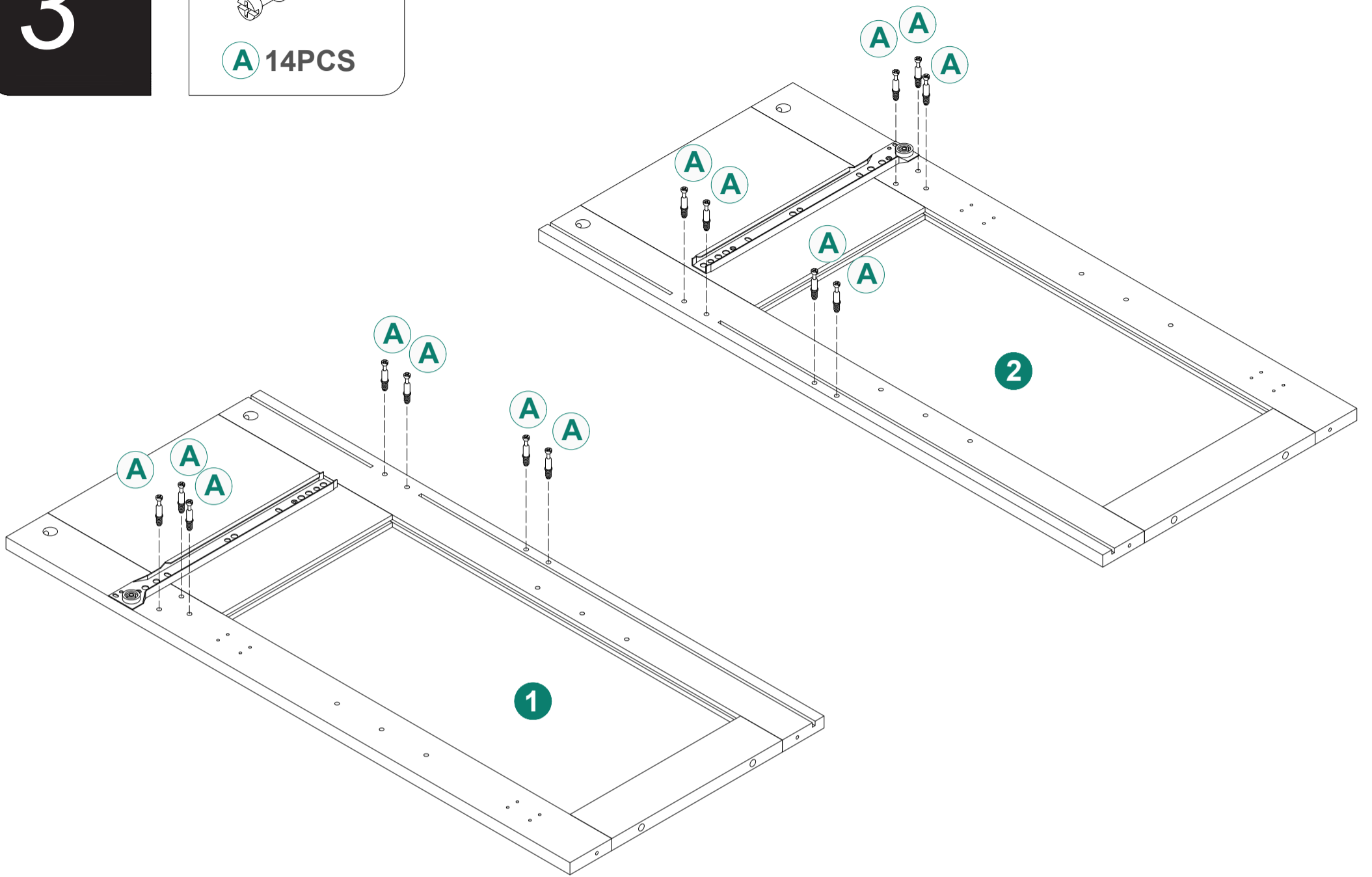


6

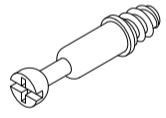
3



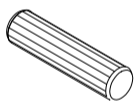
A 14PCS



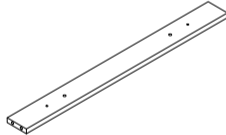
4



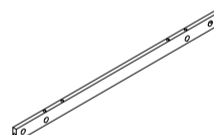
A 2PCS



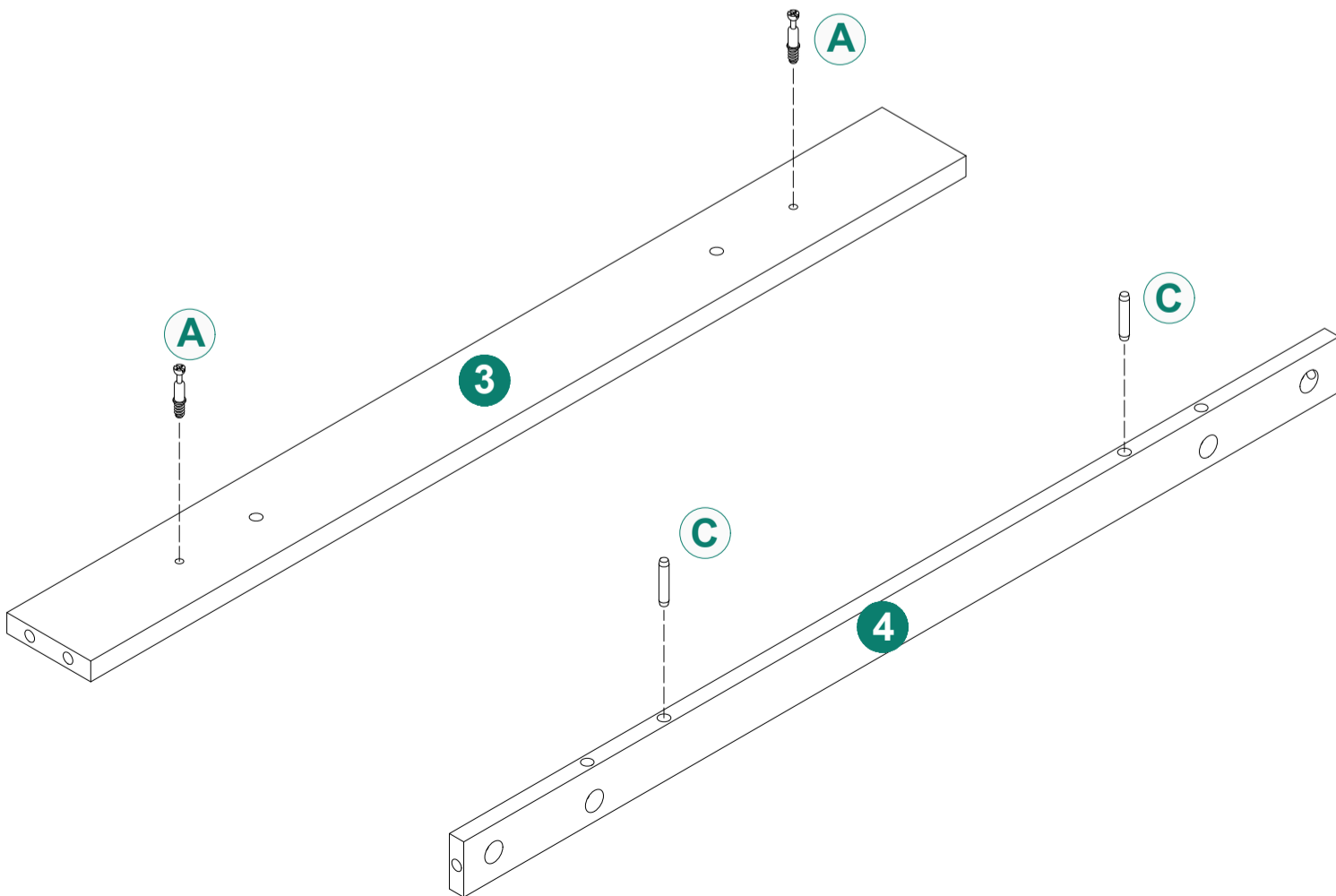
C 2PCS



3 1PC

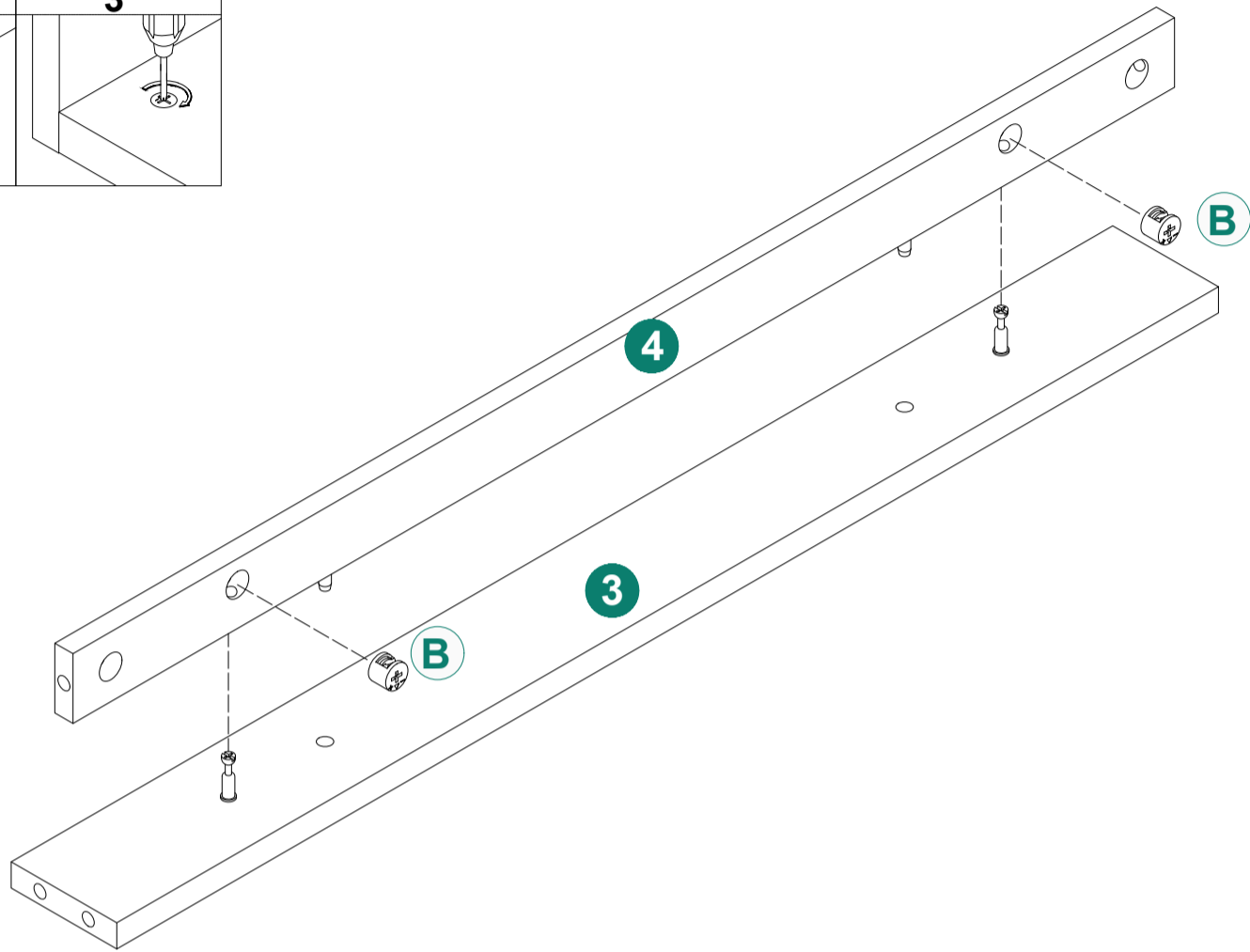
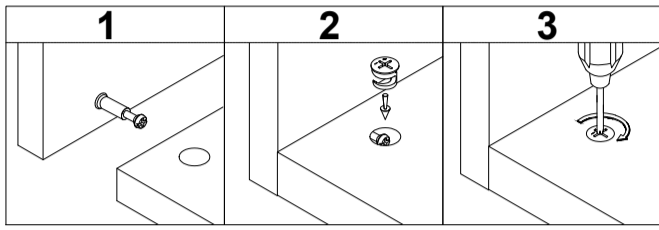
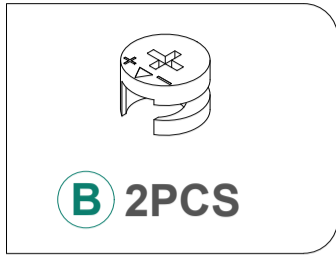


4 1PC

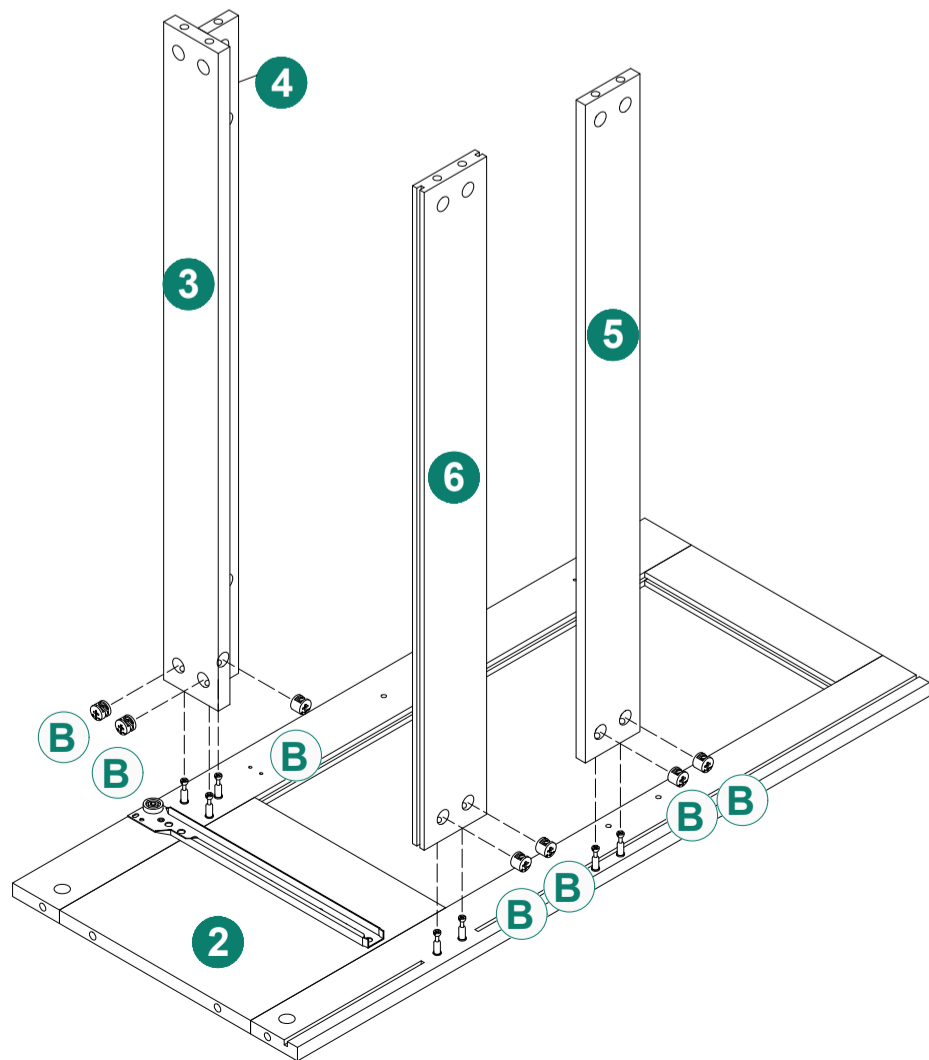
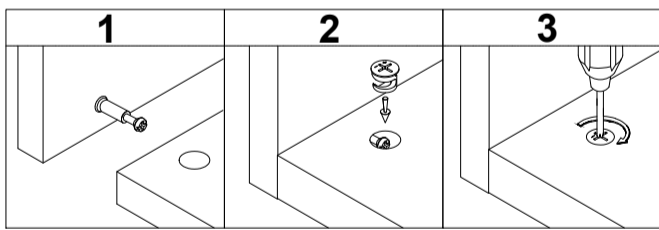
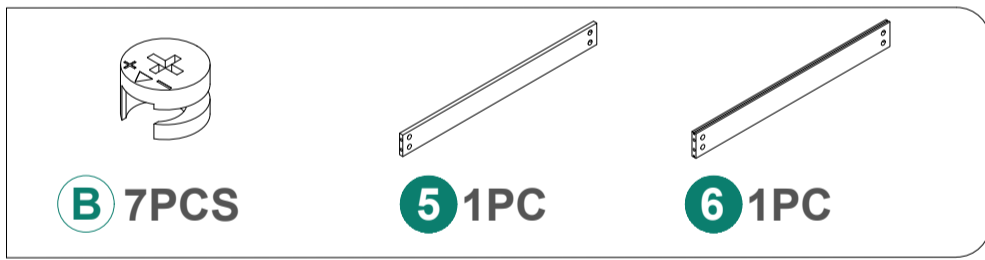


7

5



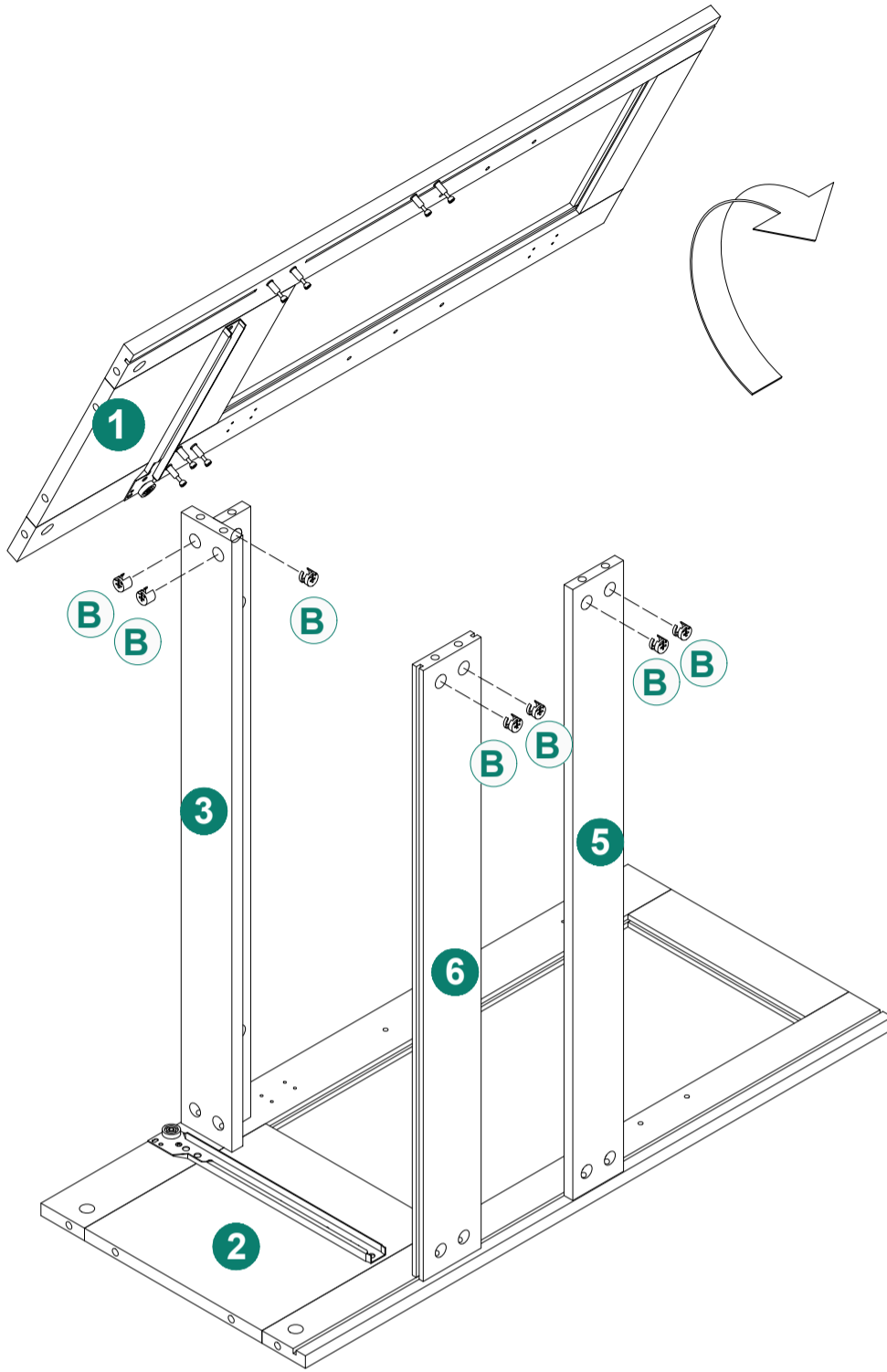
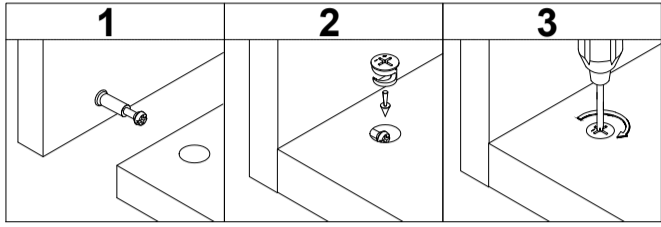
6



8

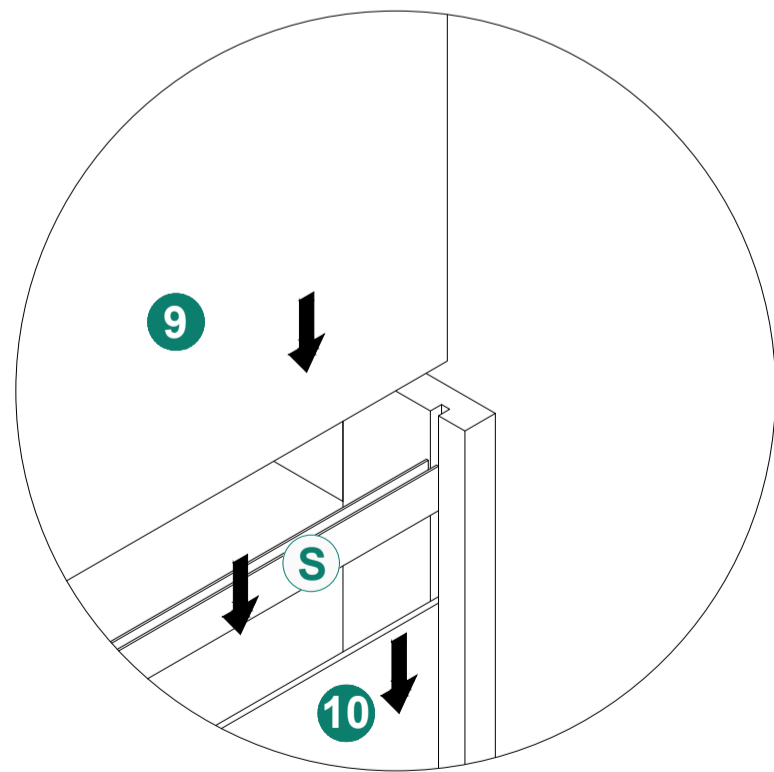
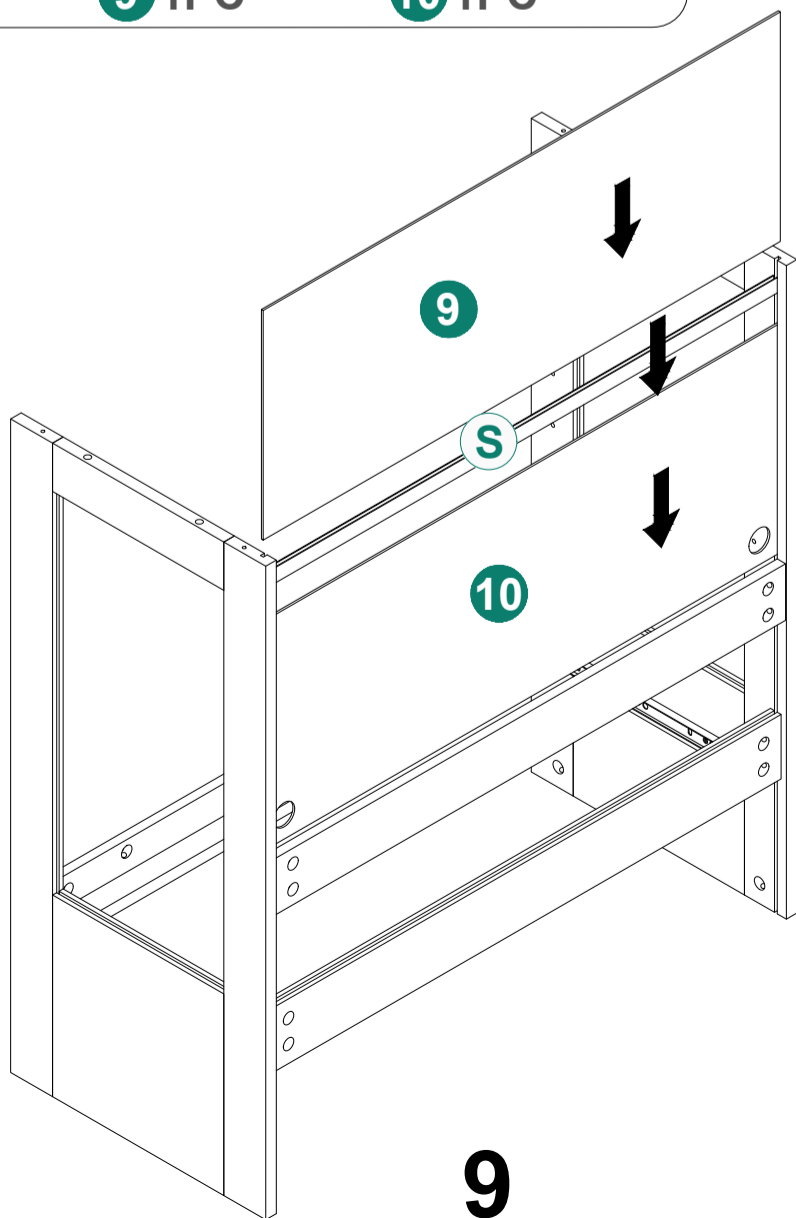
7

B 7PCS



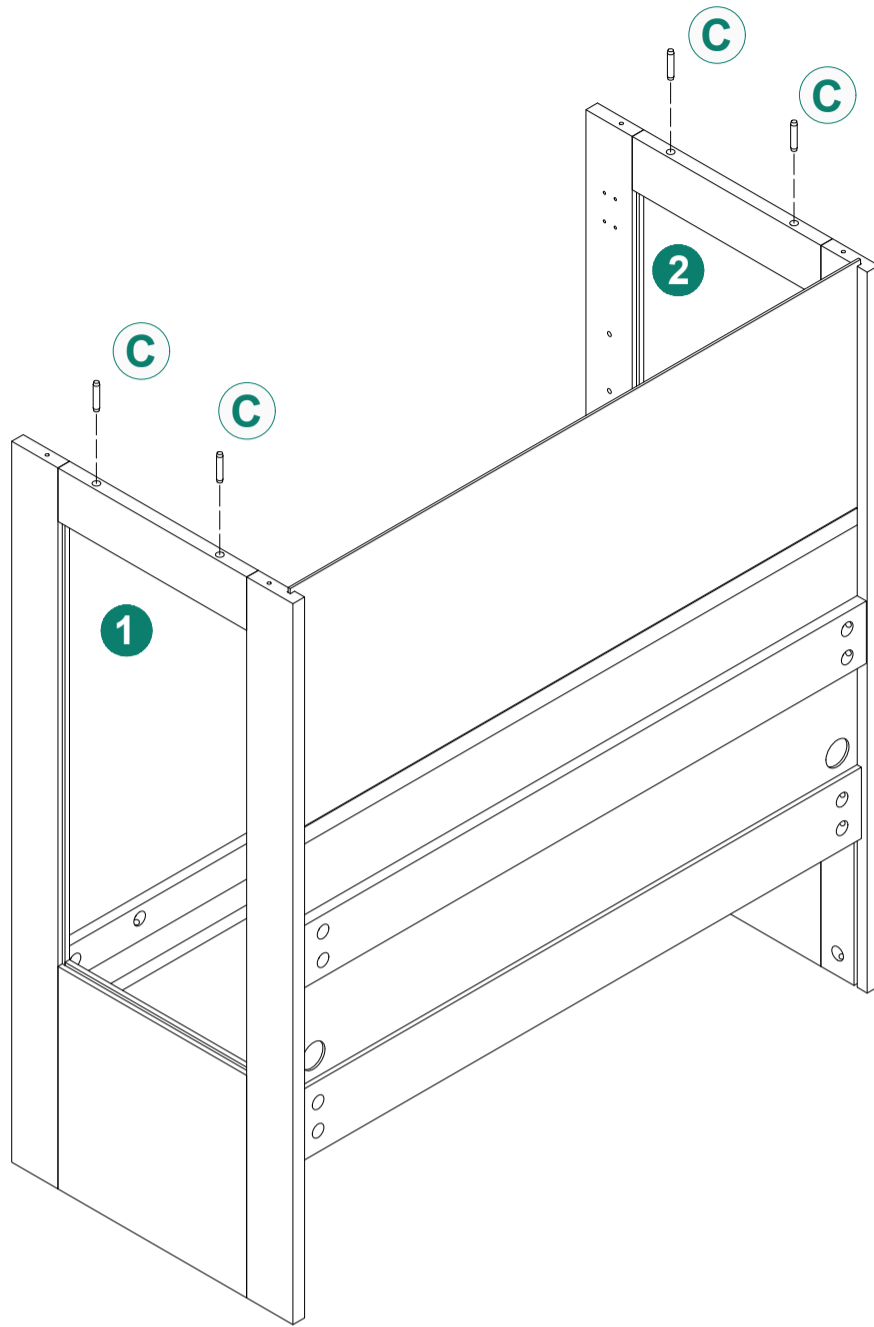
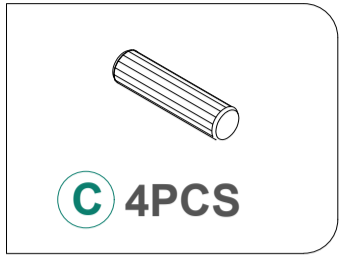
8

S 1PC **9** 1PC **10** 1PC

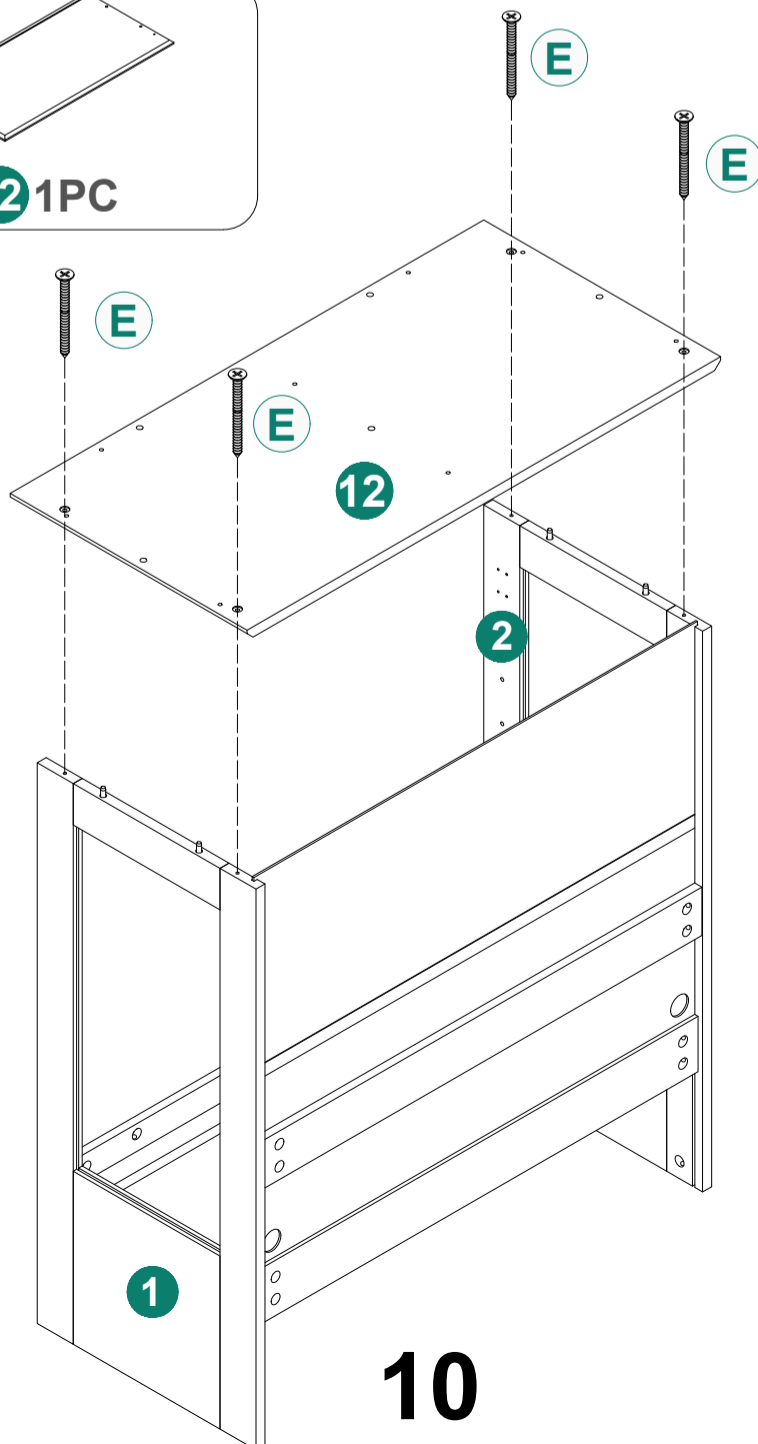
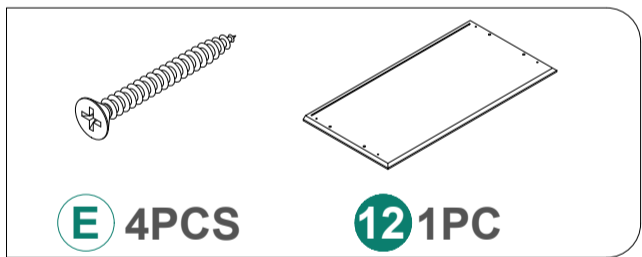


9

9

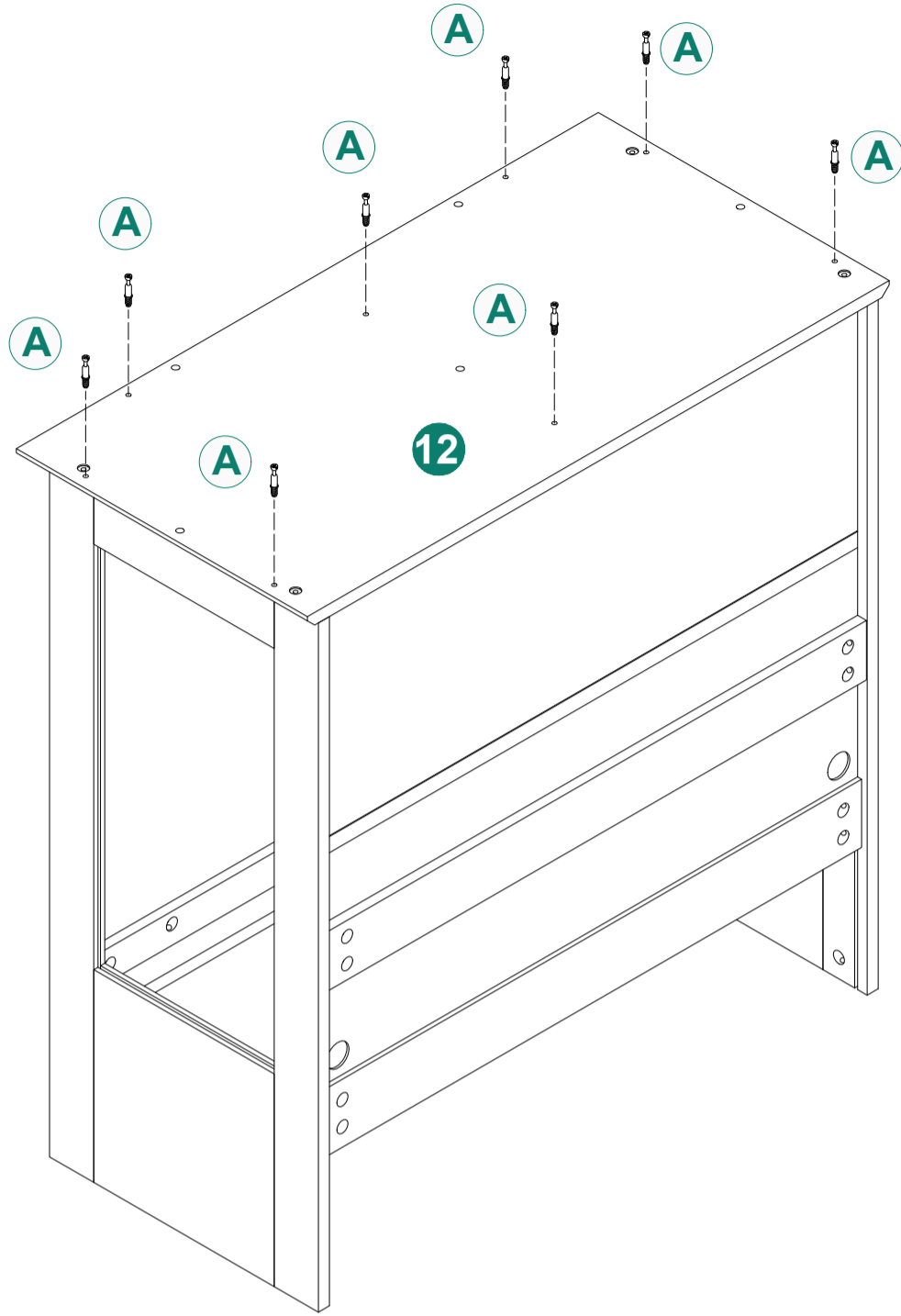
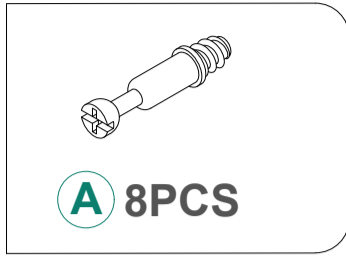


10

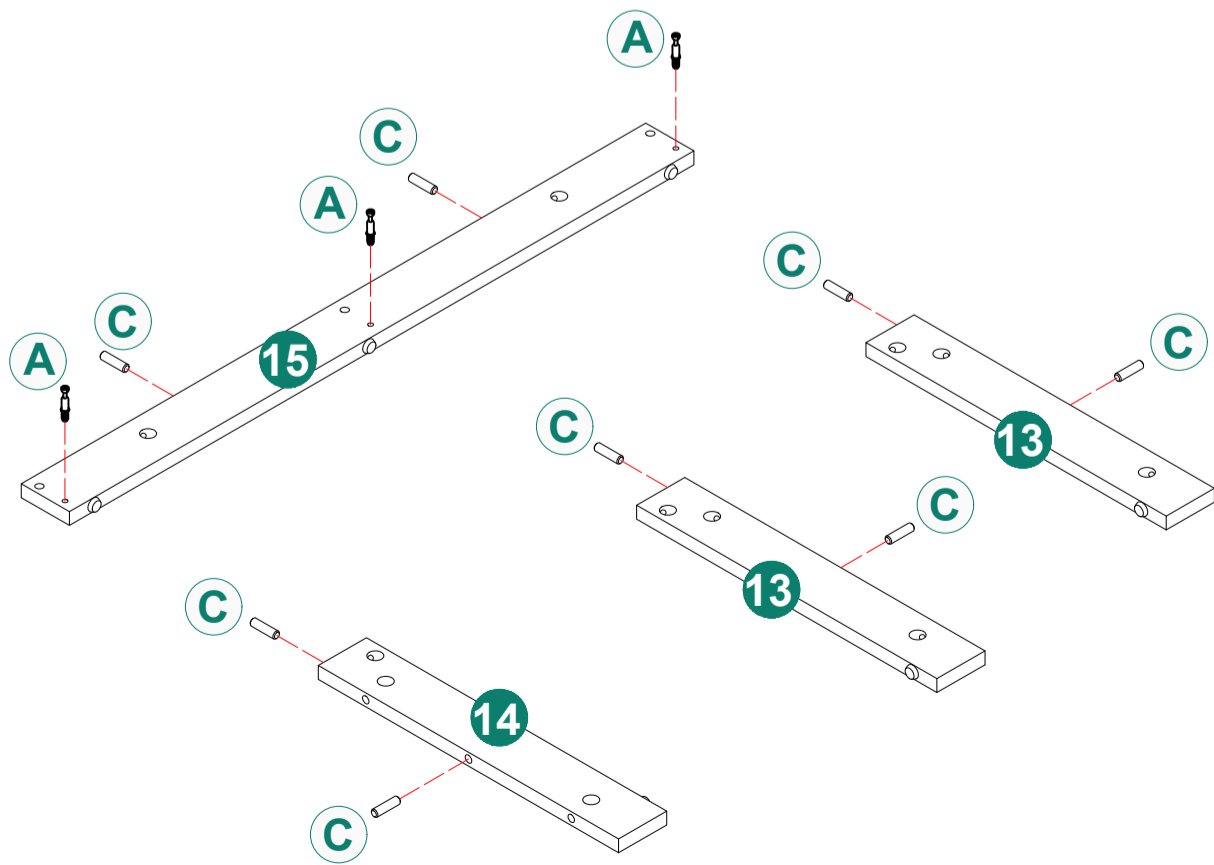
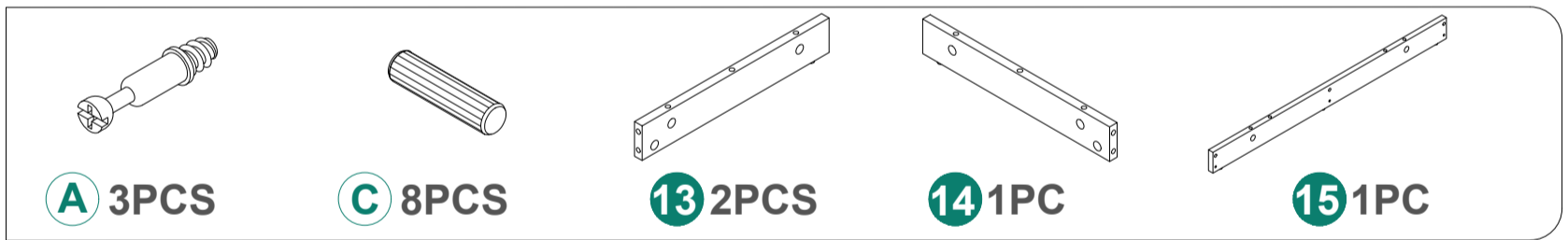


10

11

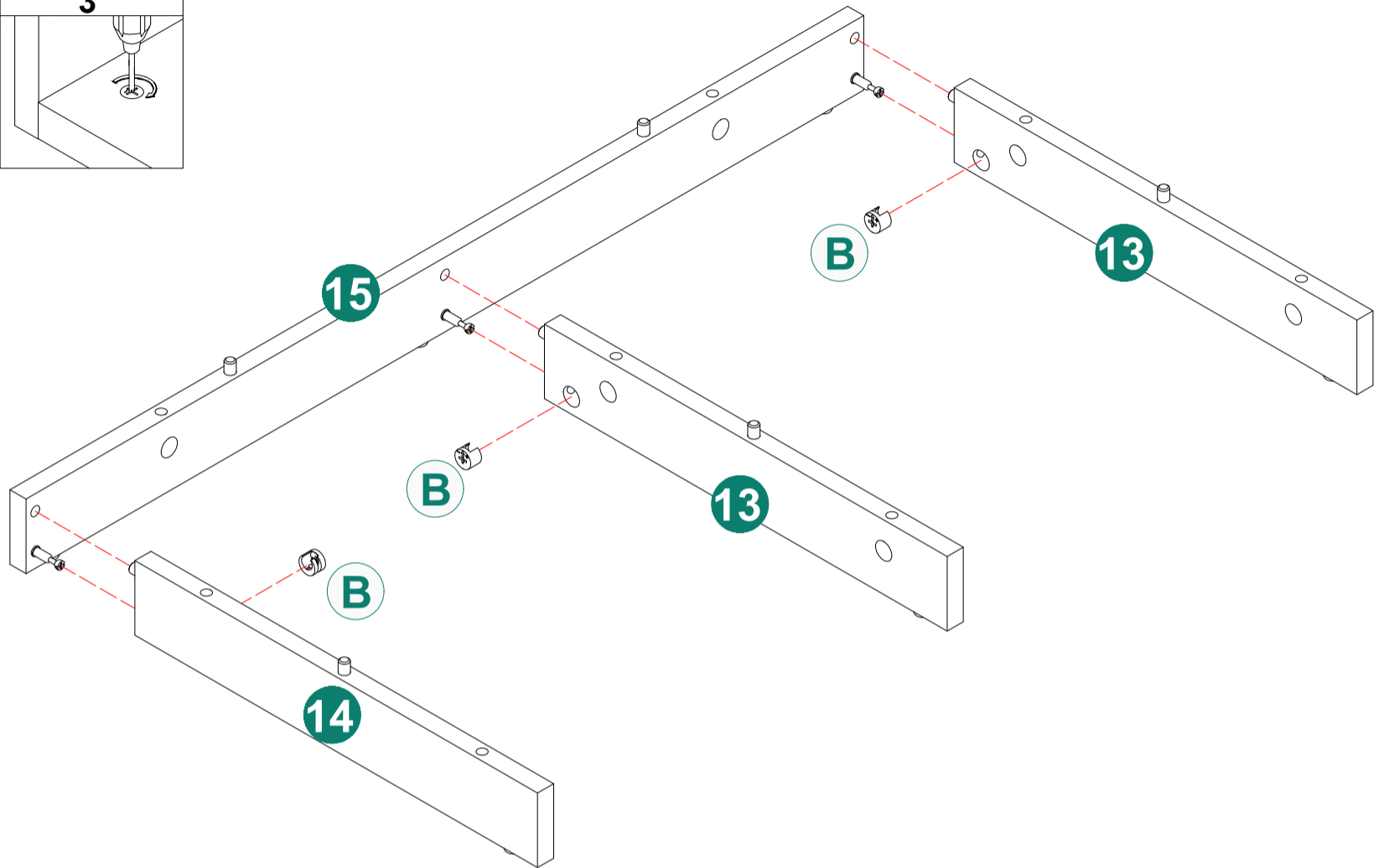
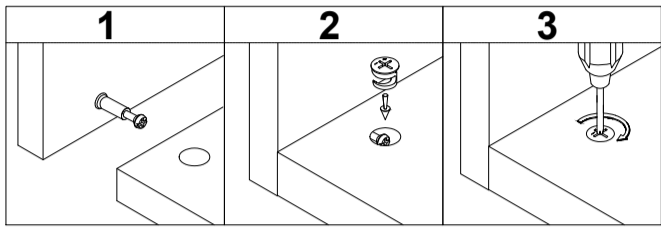
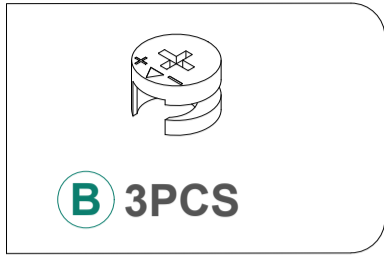


12

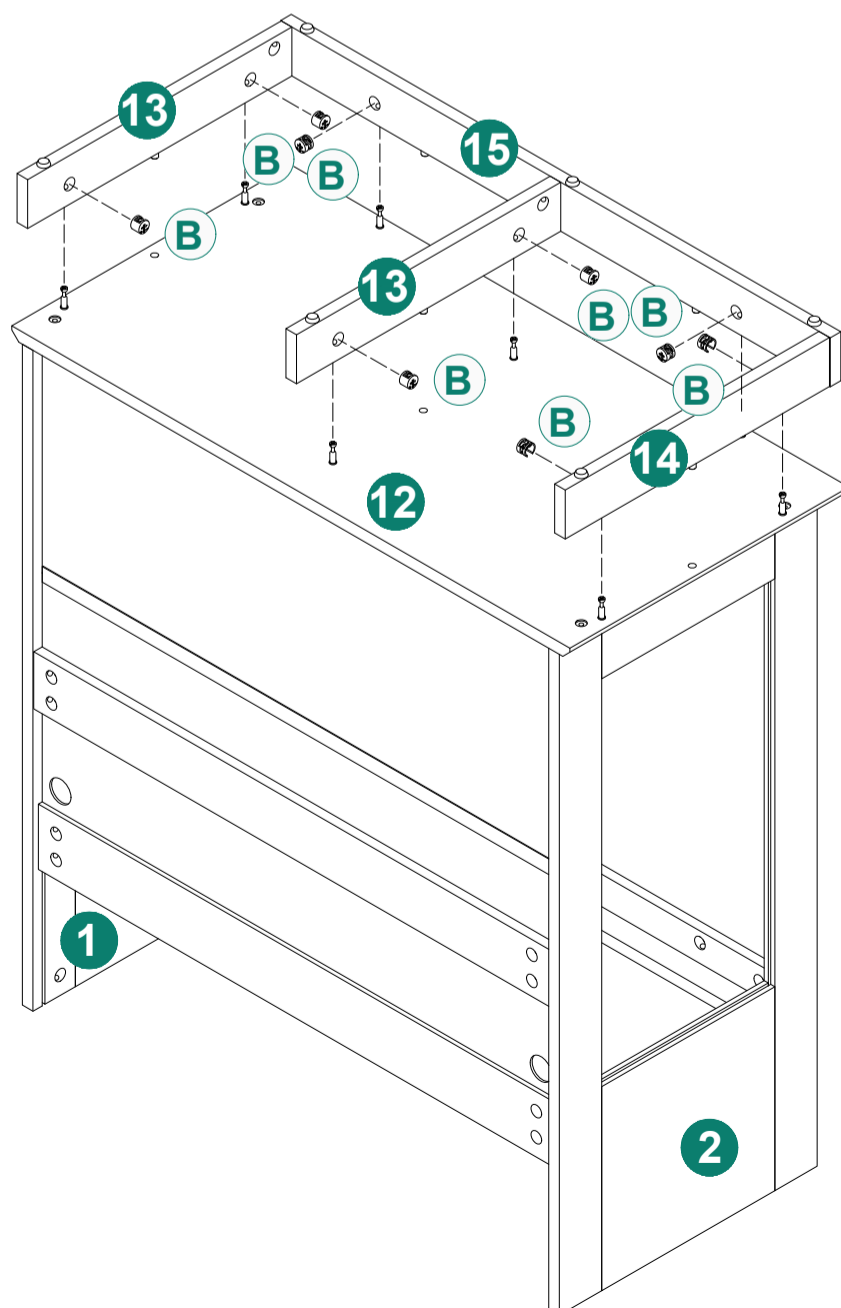
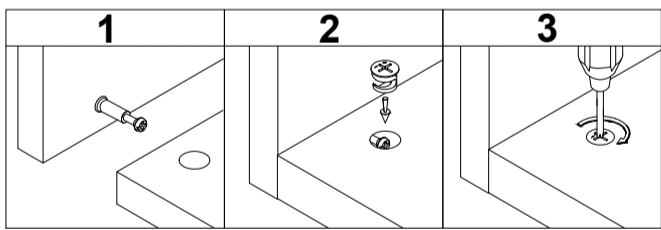


11

13

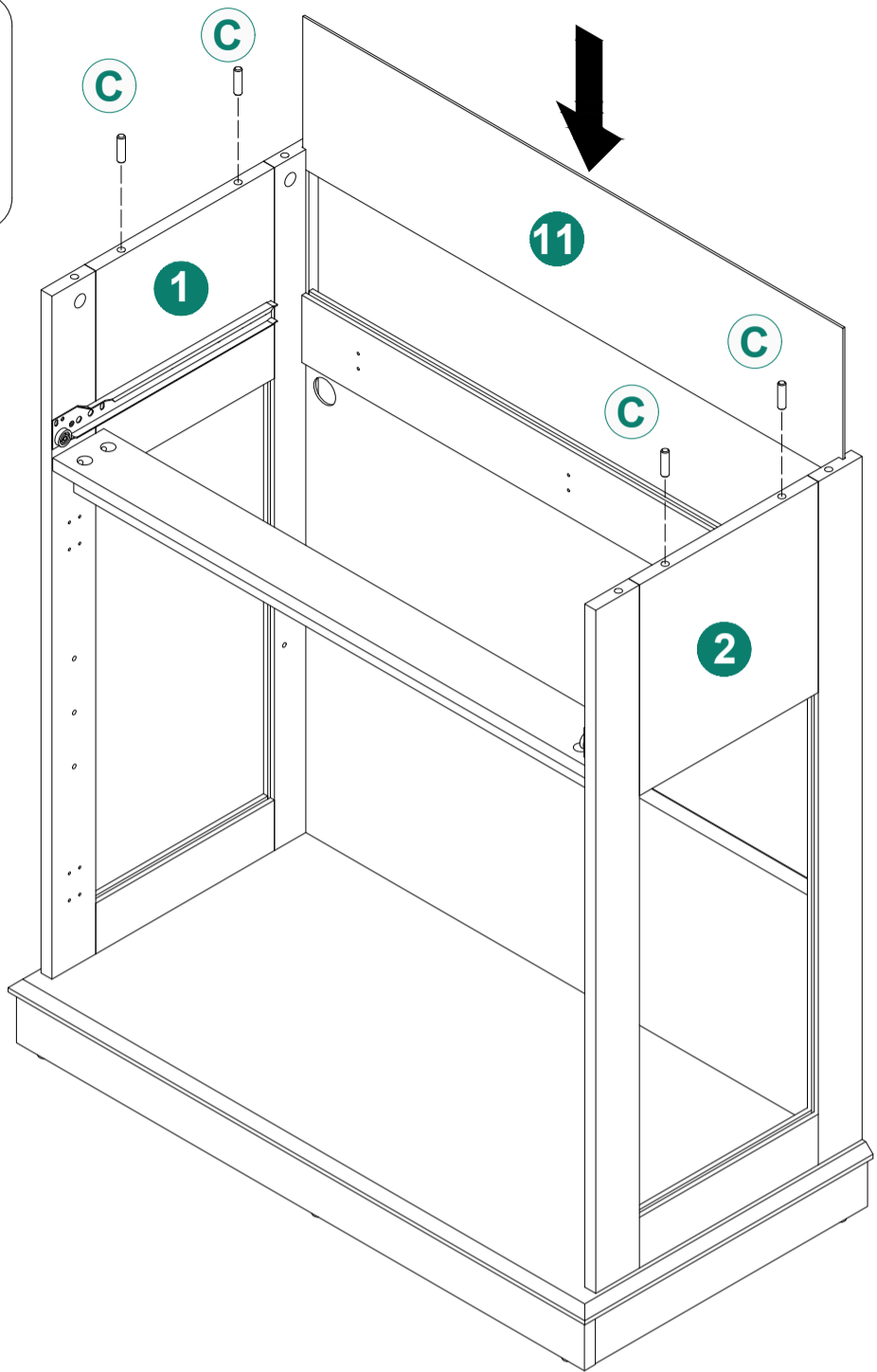
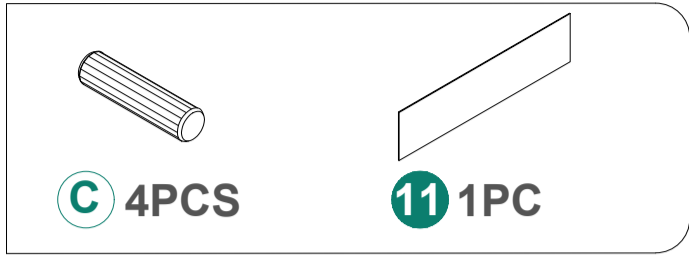


14

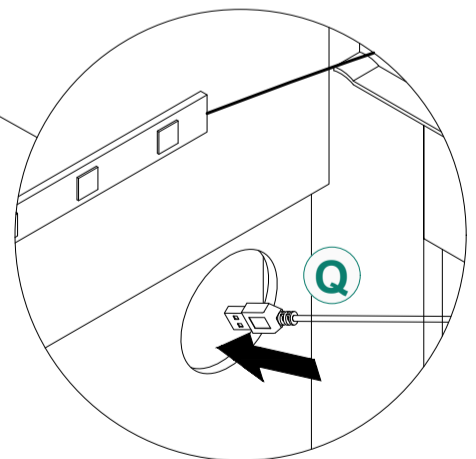
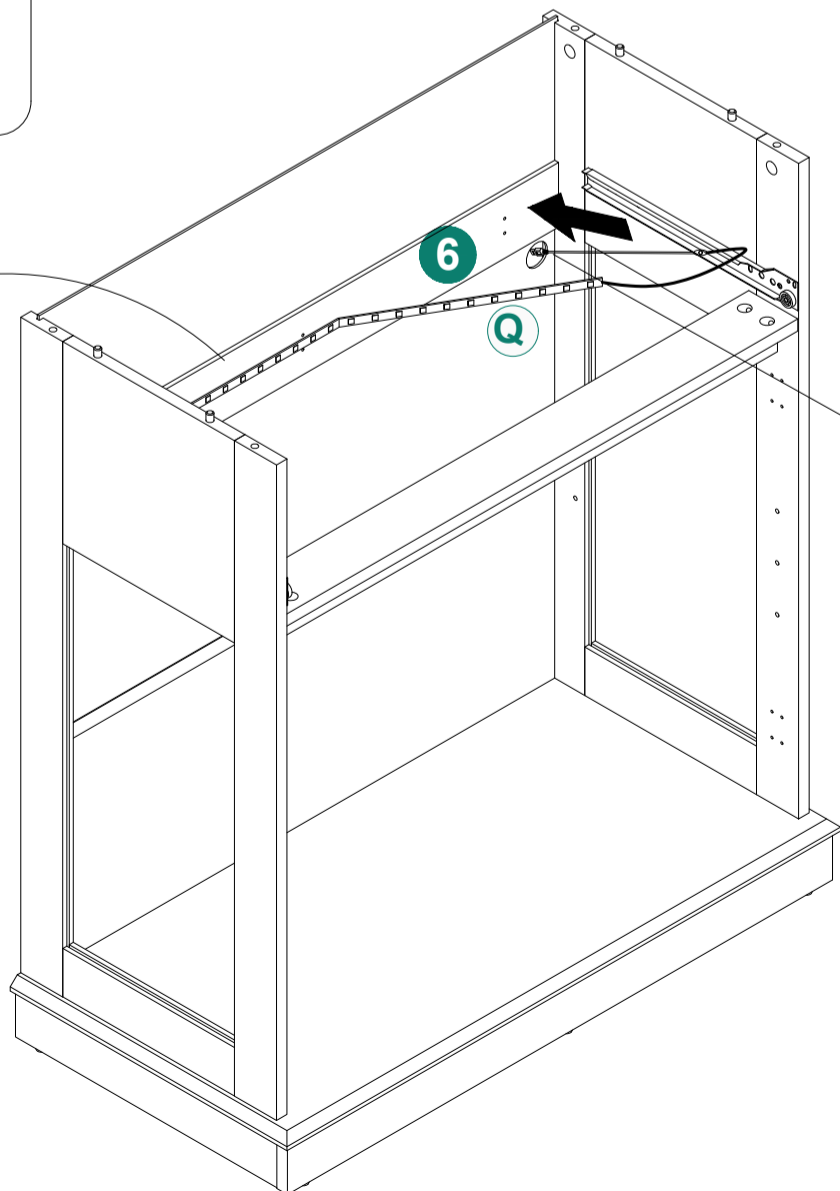
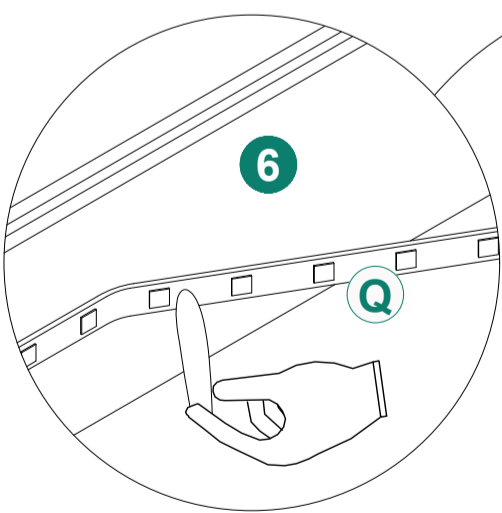
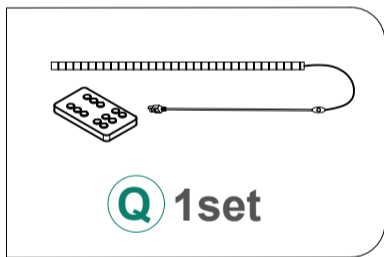


12

15

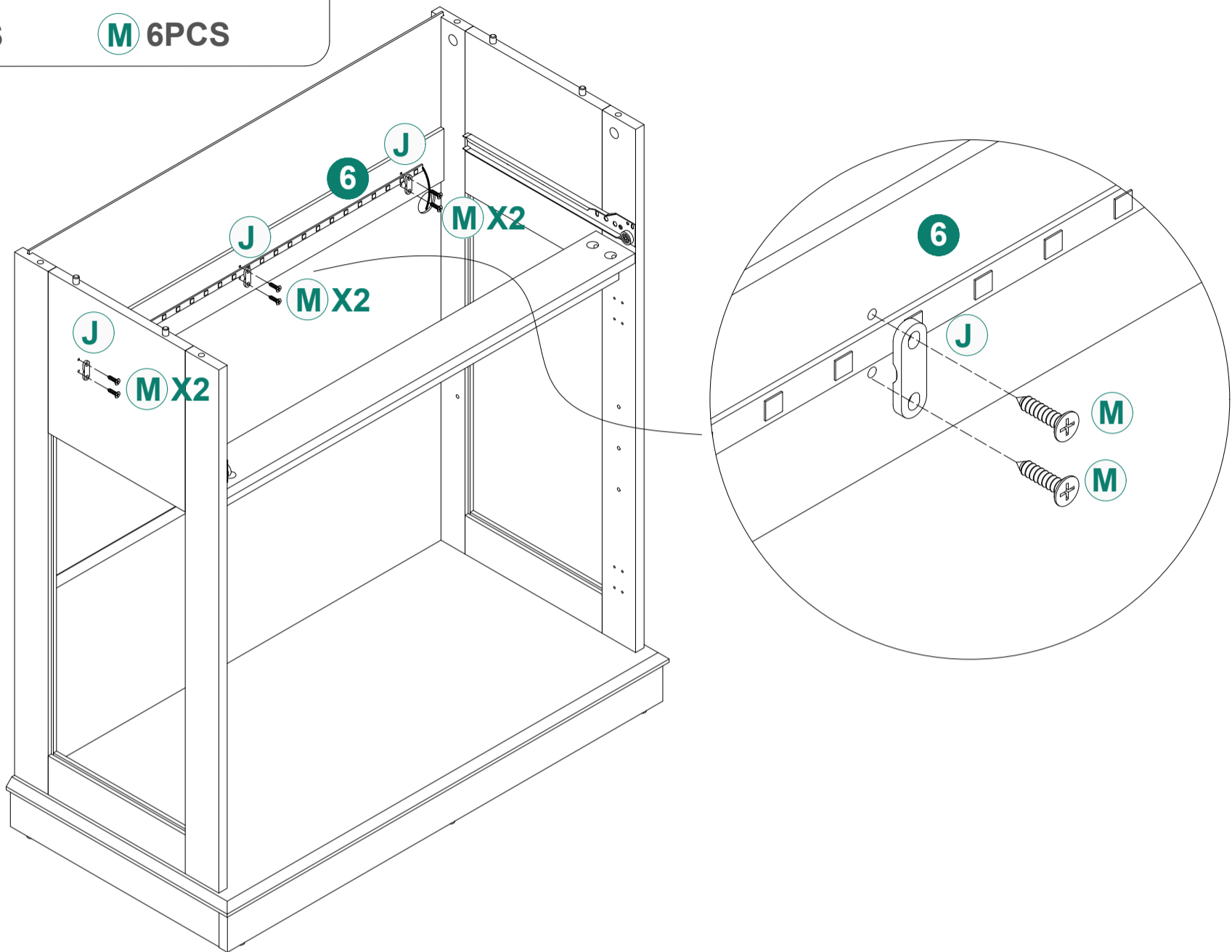
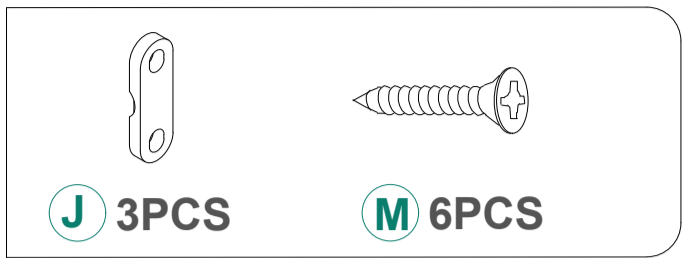


16

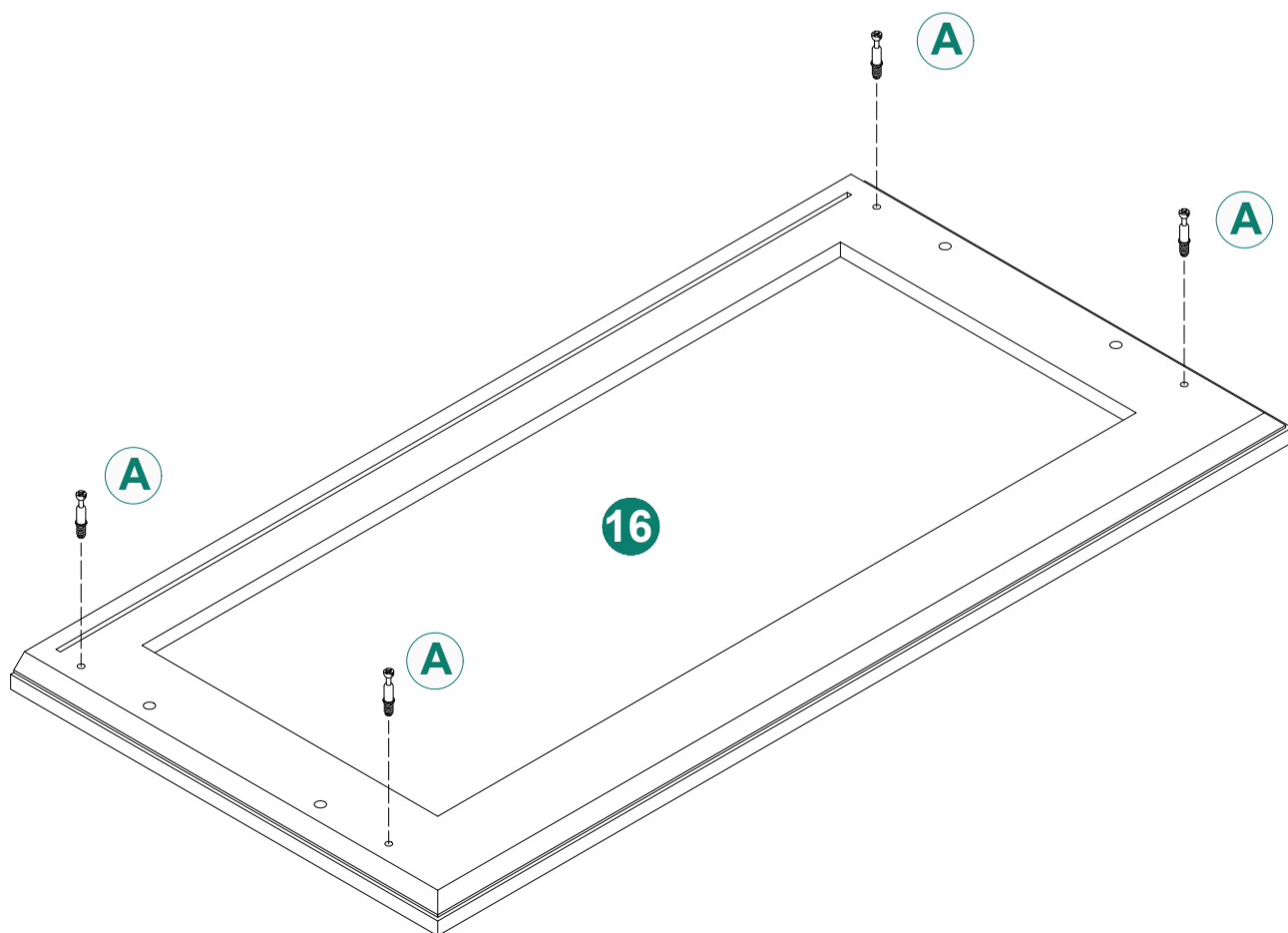
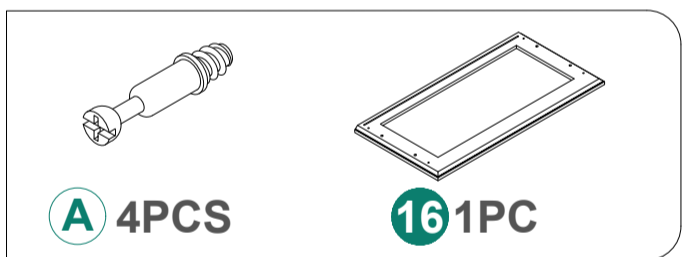


13

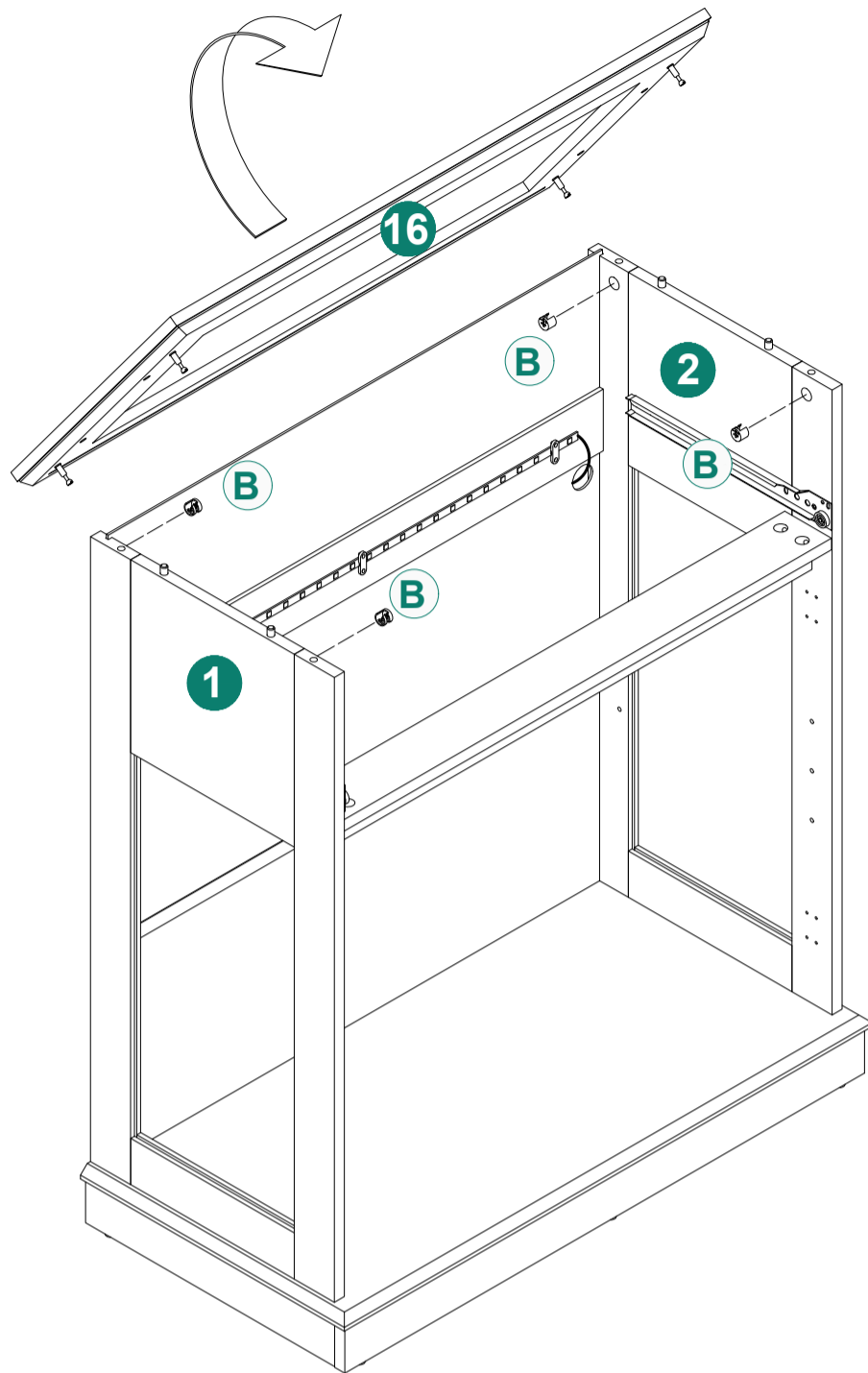
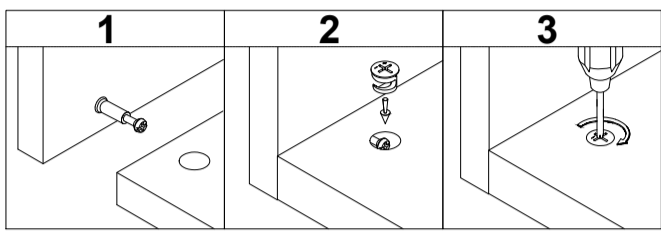
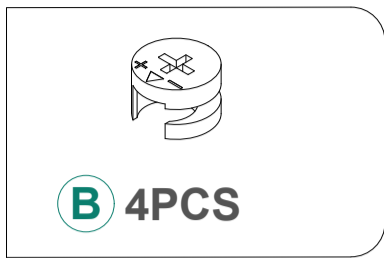
17



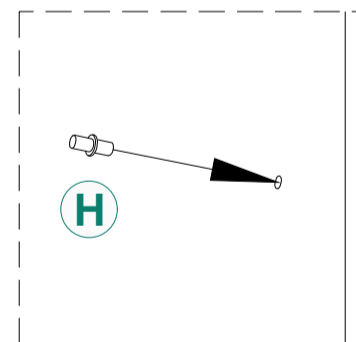
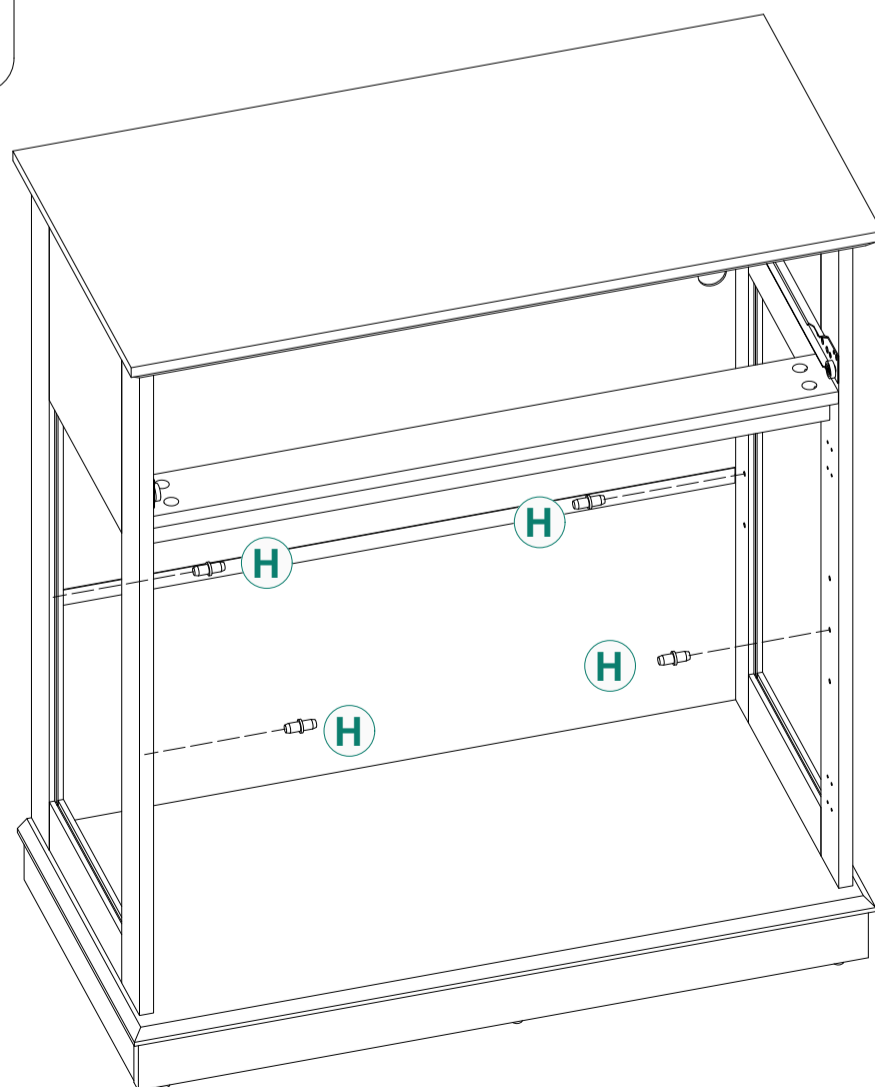
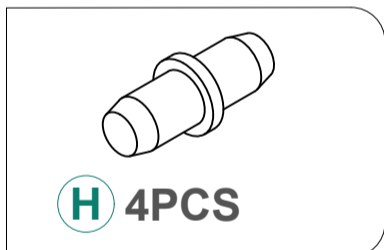
18



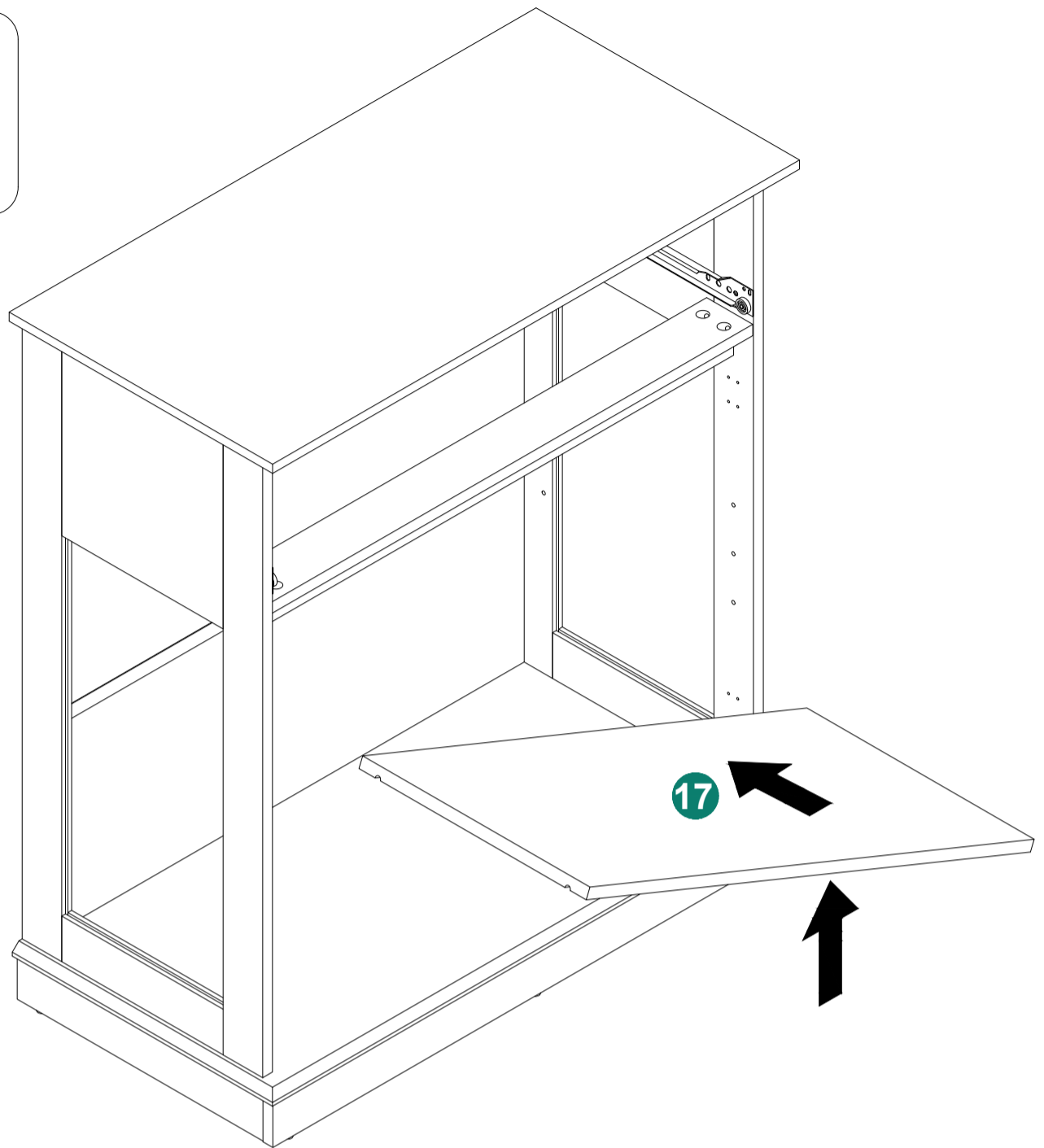
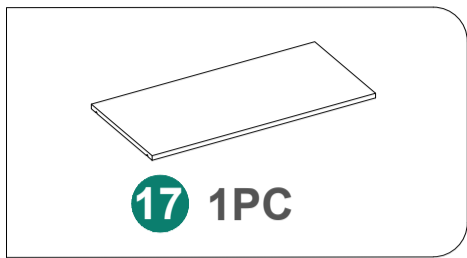
19



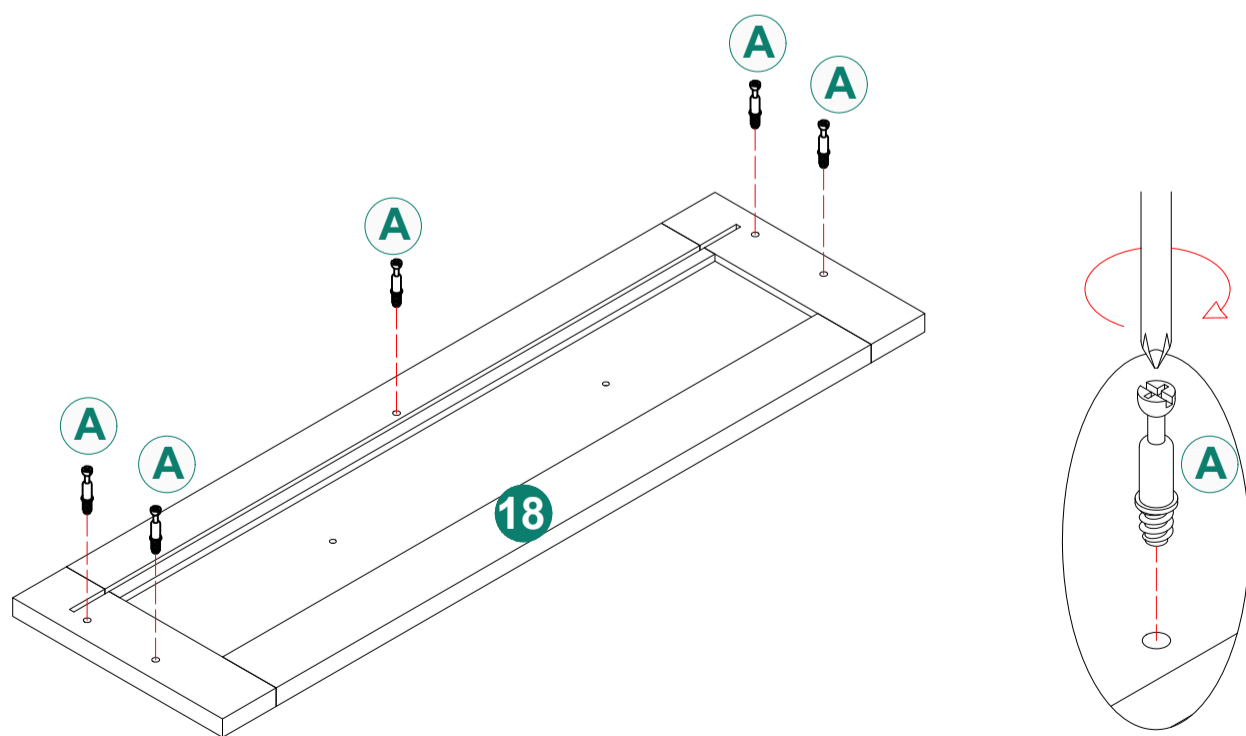
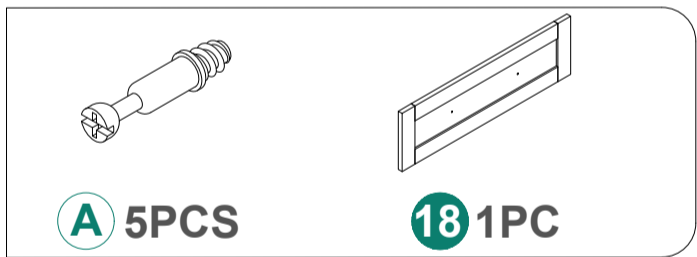
20



21

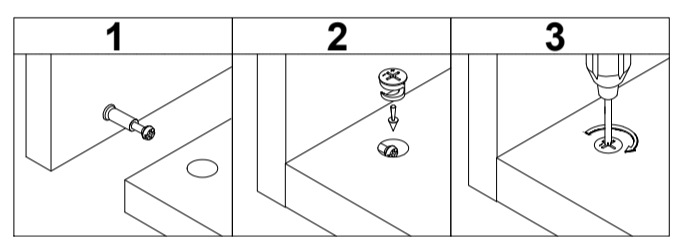
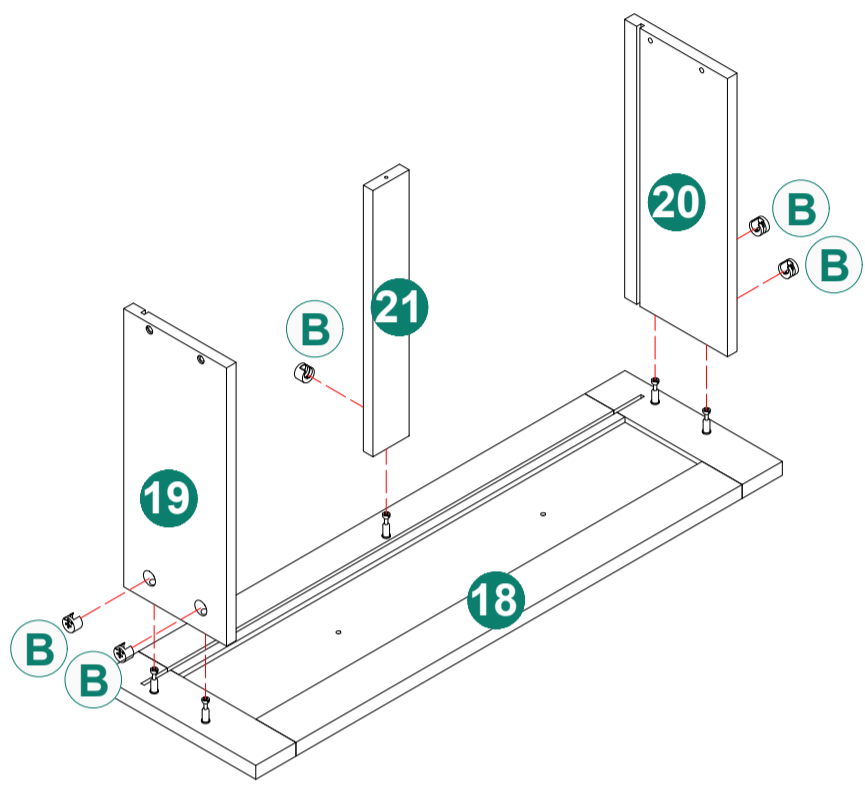
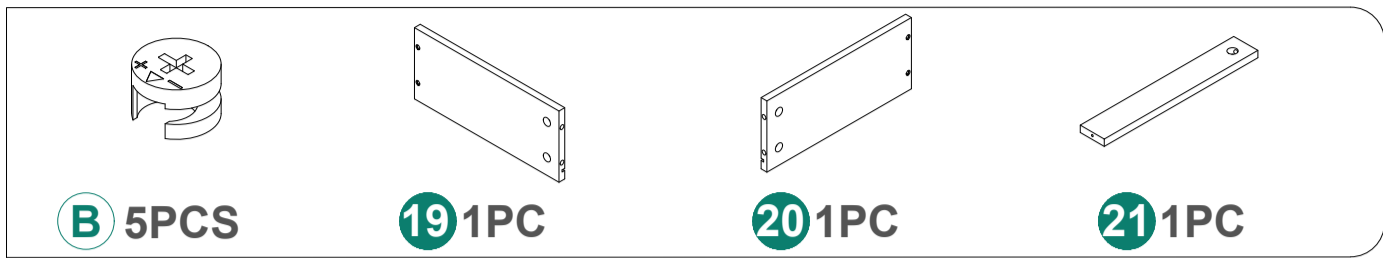


22

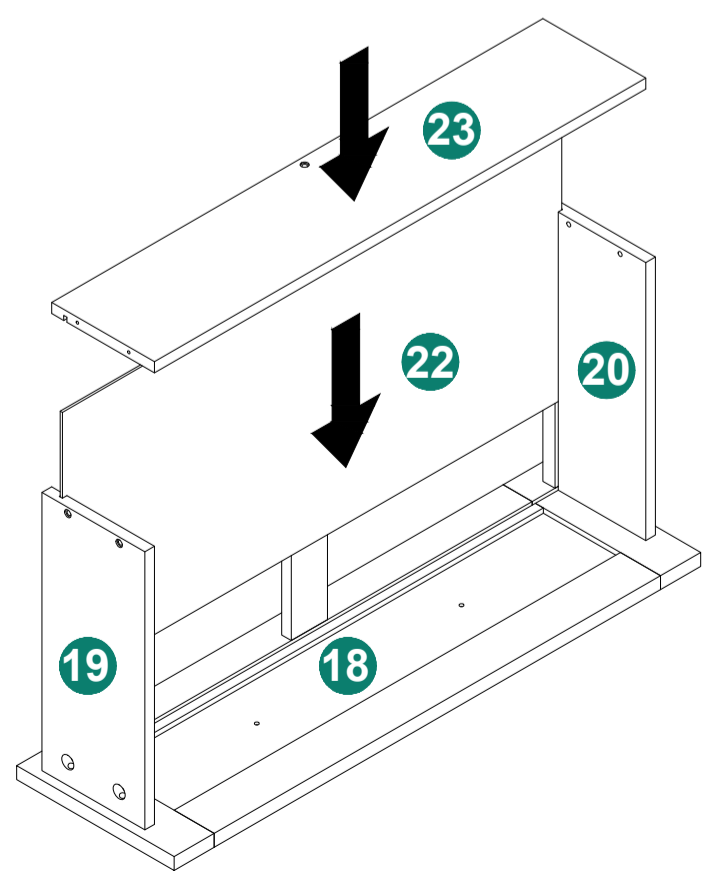
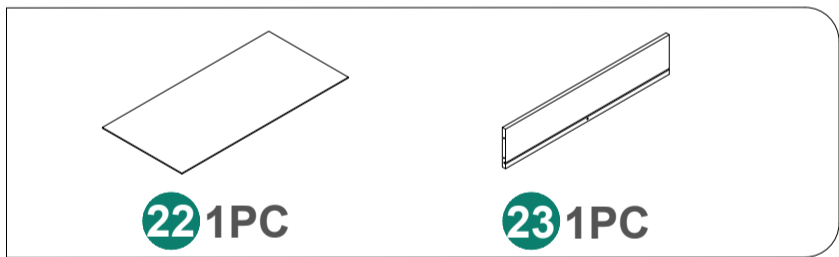


16

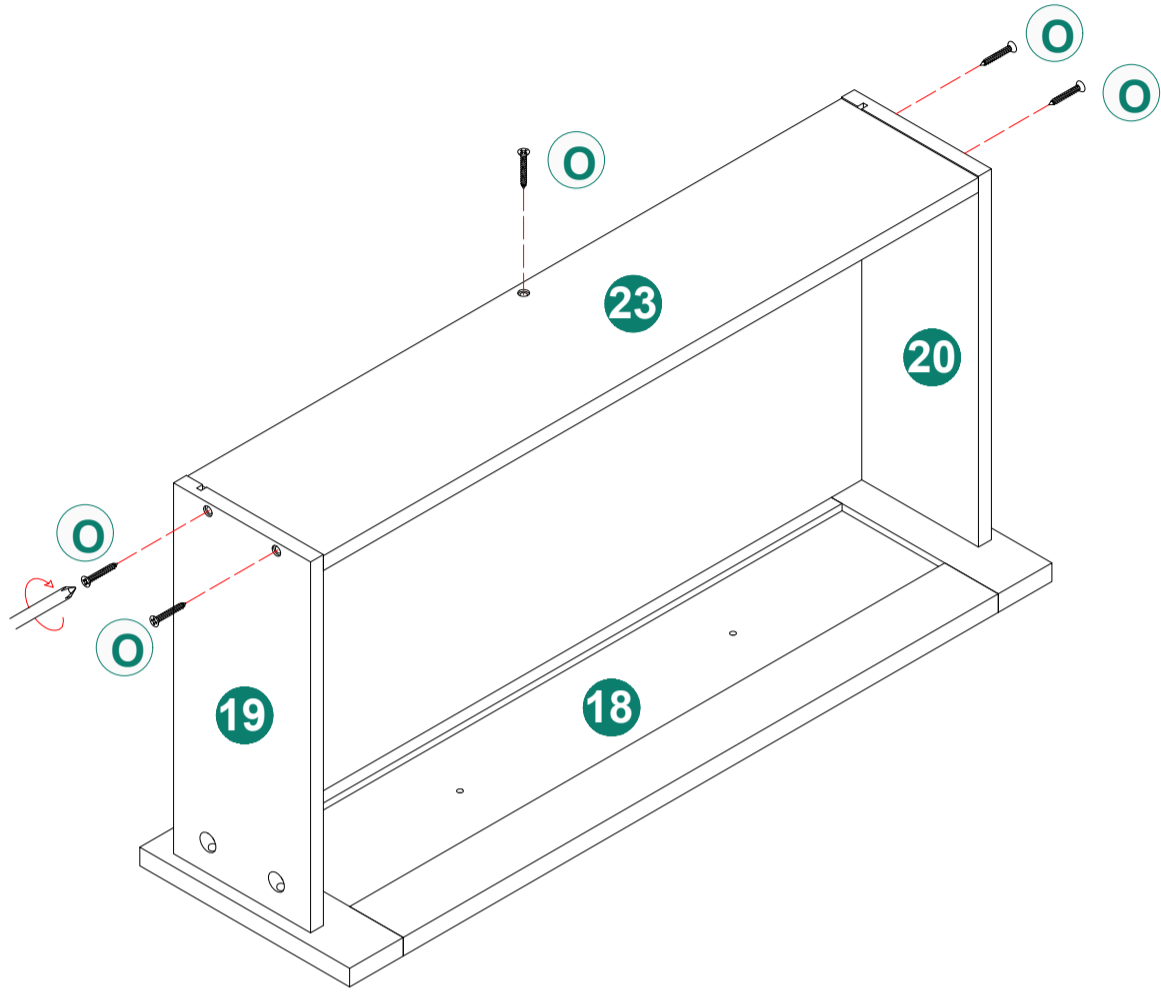
23



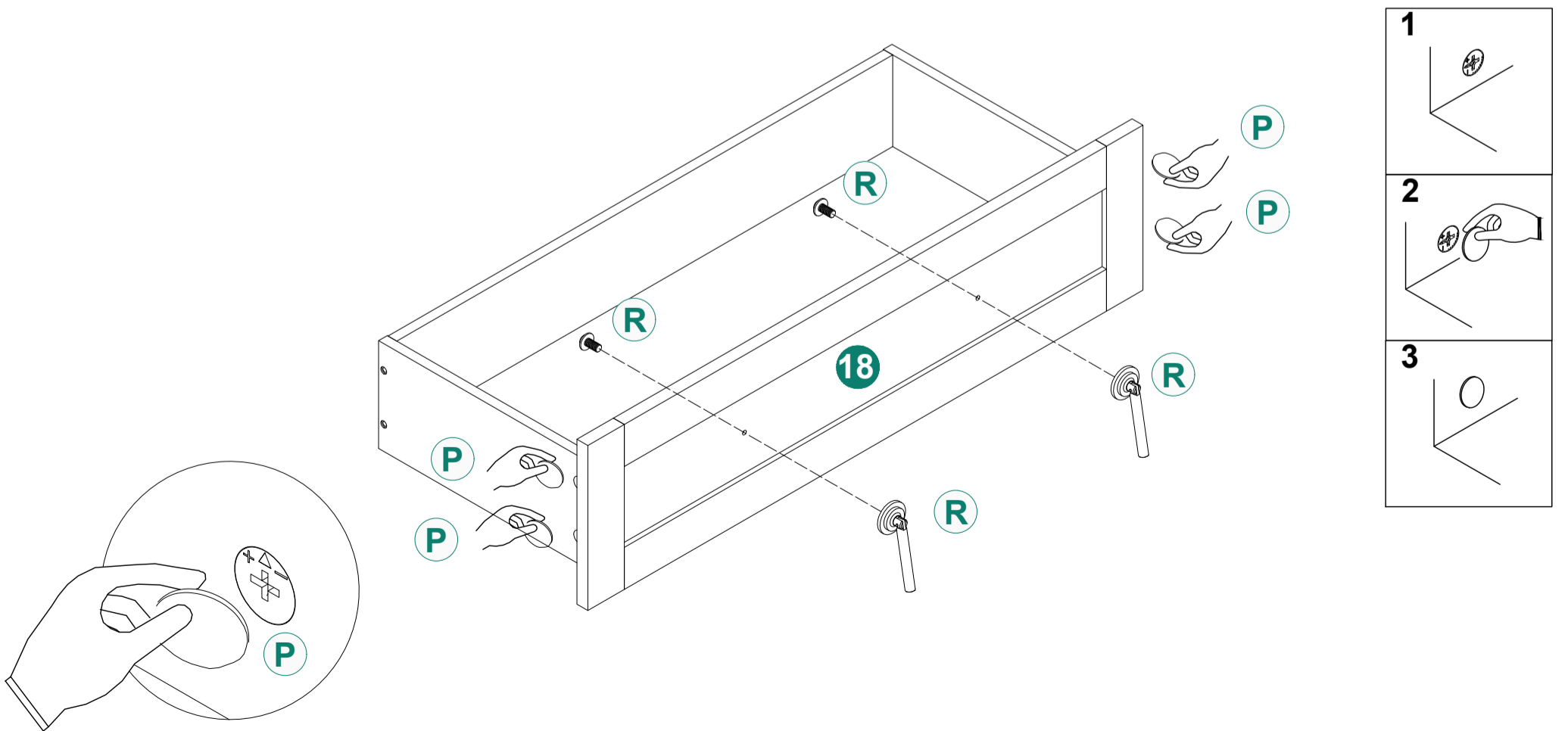
24



25

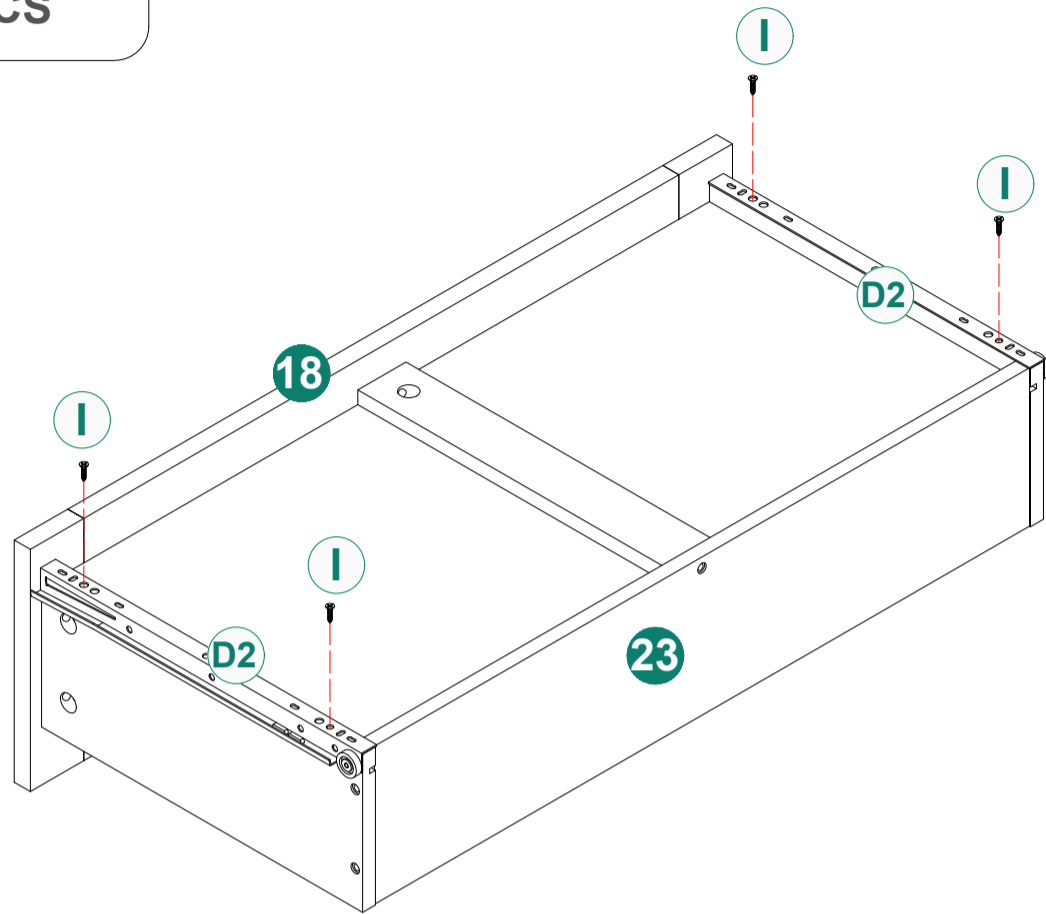
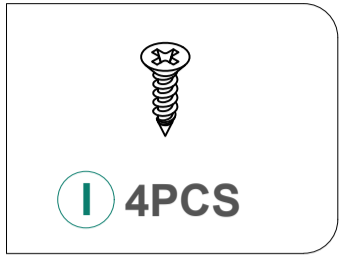


26



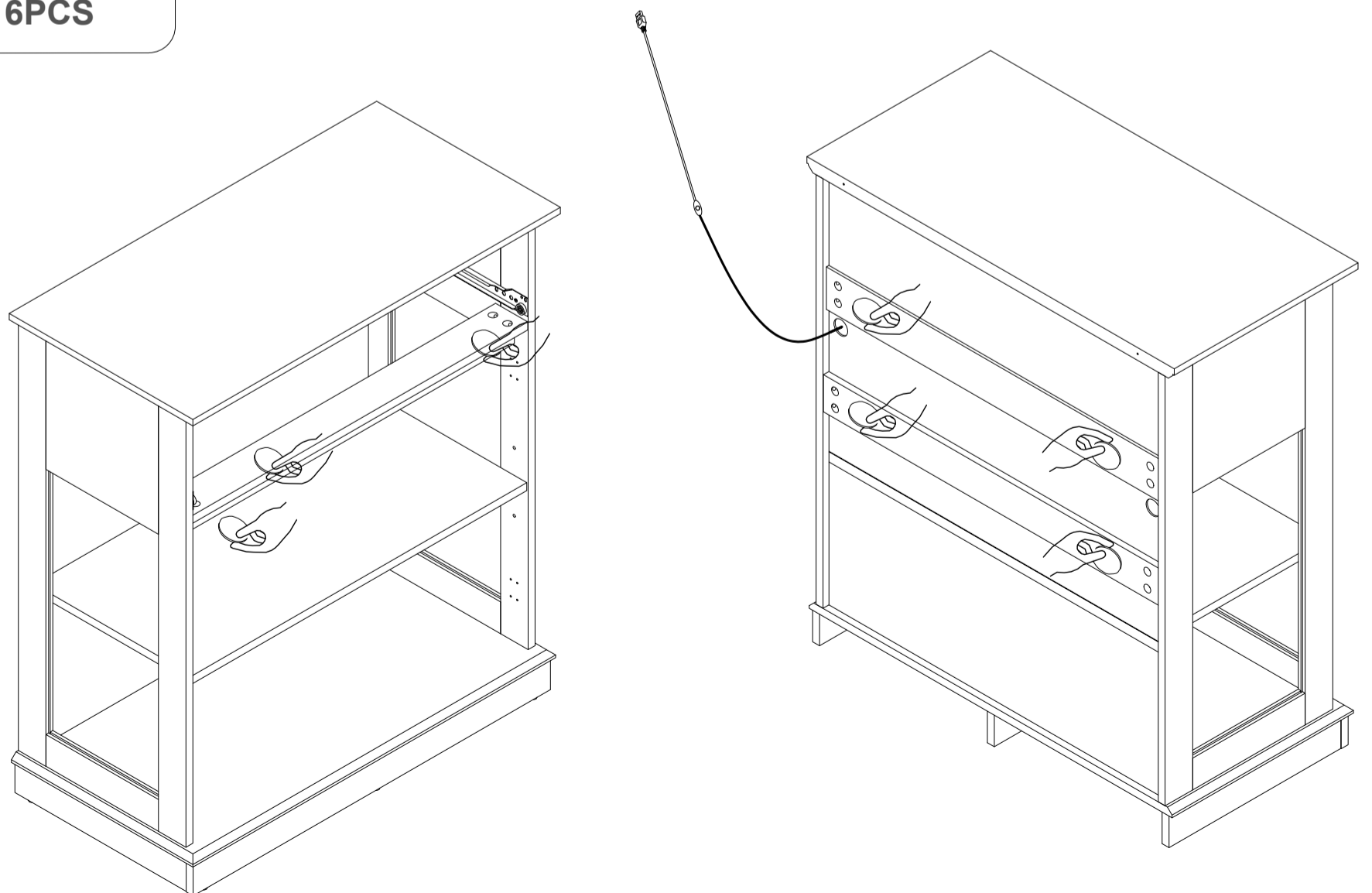
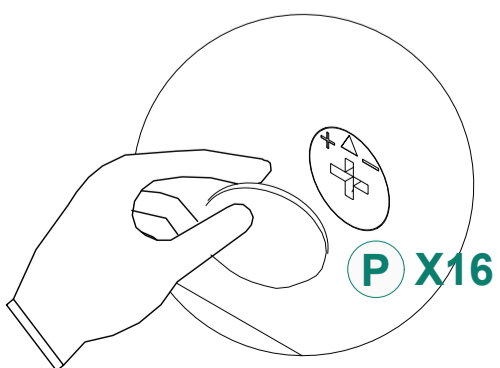
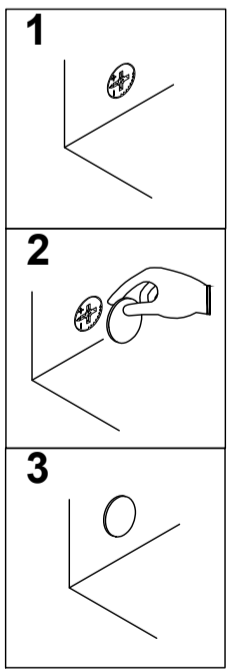
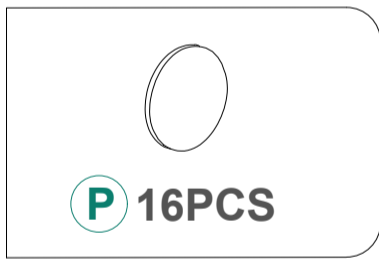
18

27

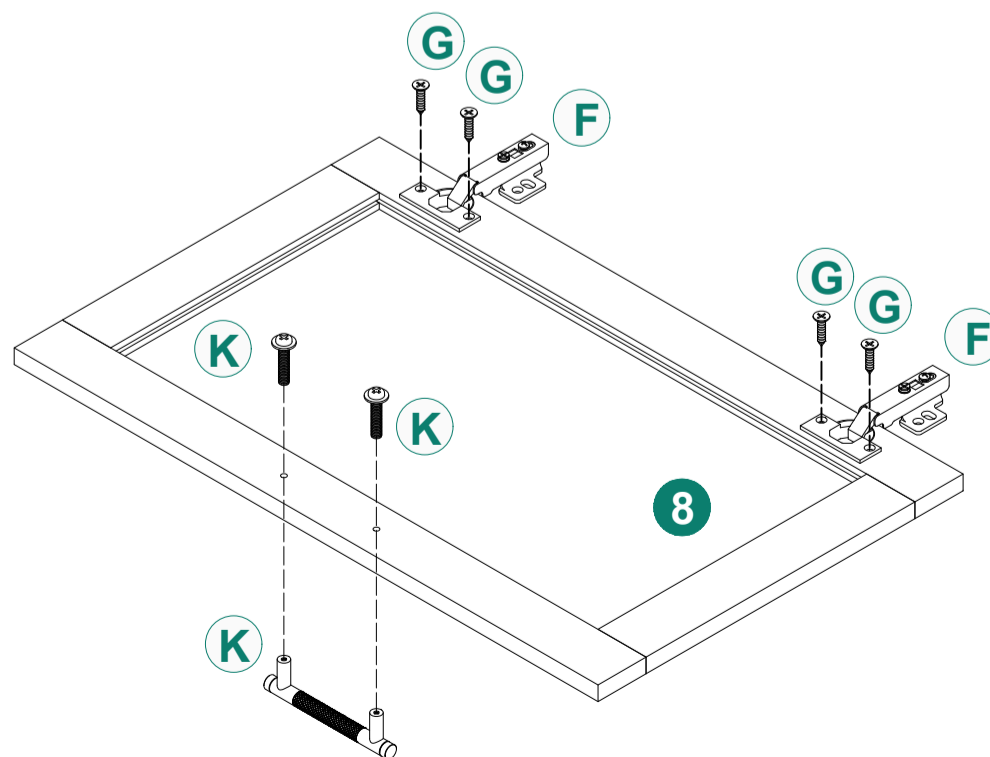
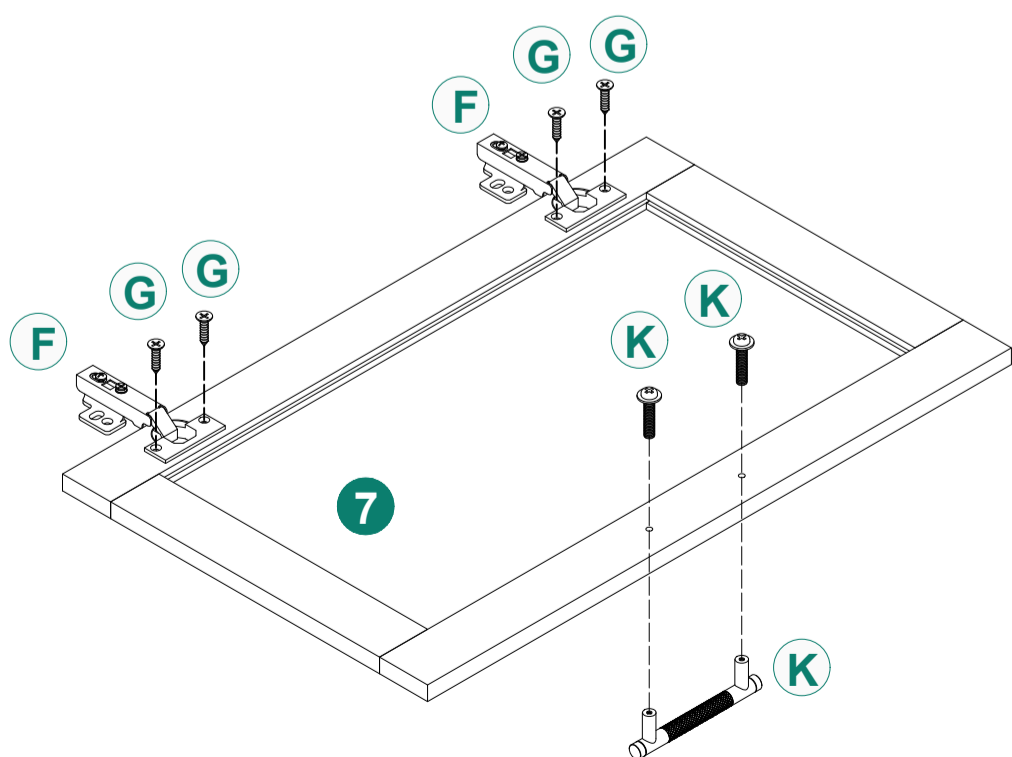
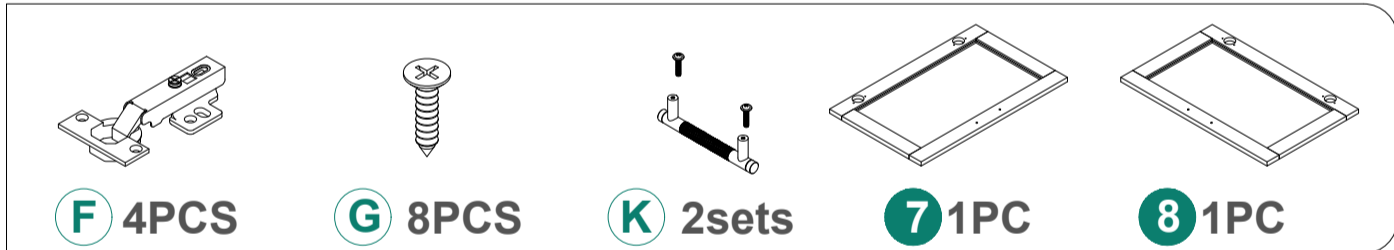
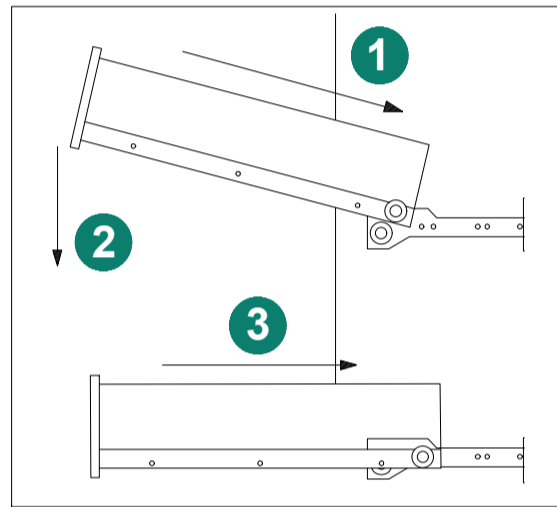
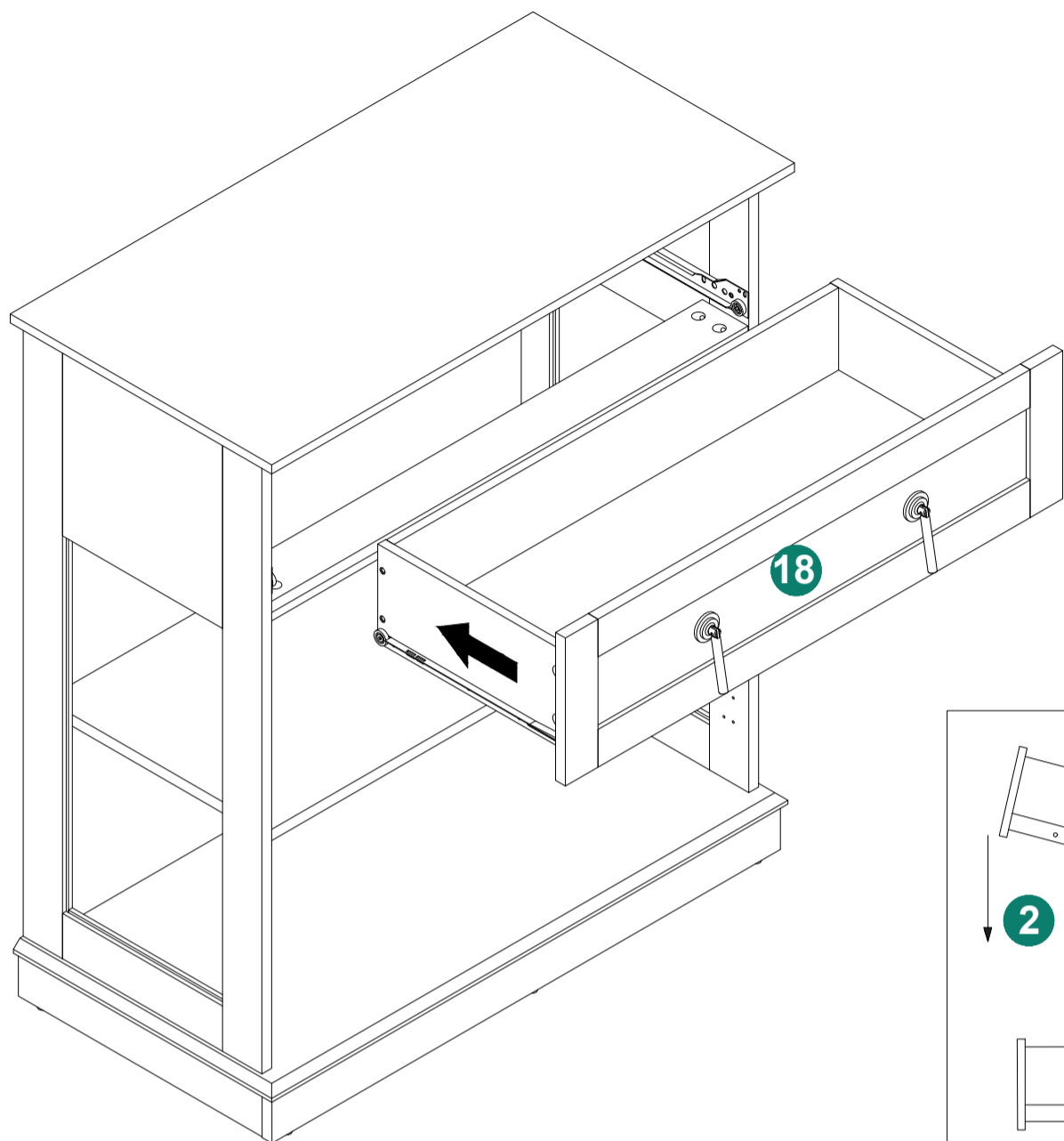


No pilot holes were needed due to the screws' easy insertion. Follow the instructions to screw them into the designated holes.

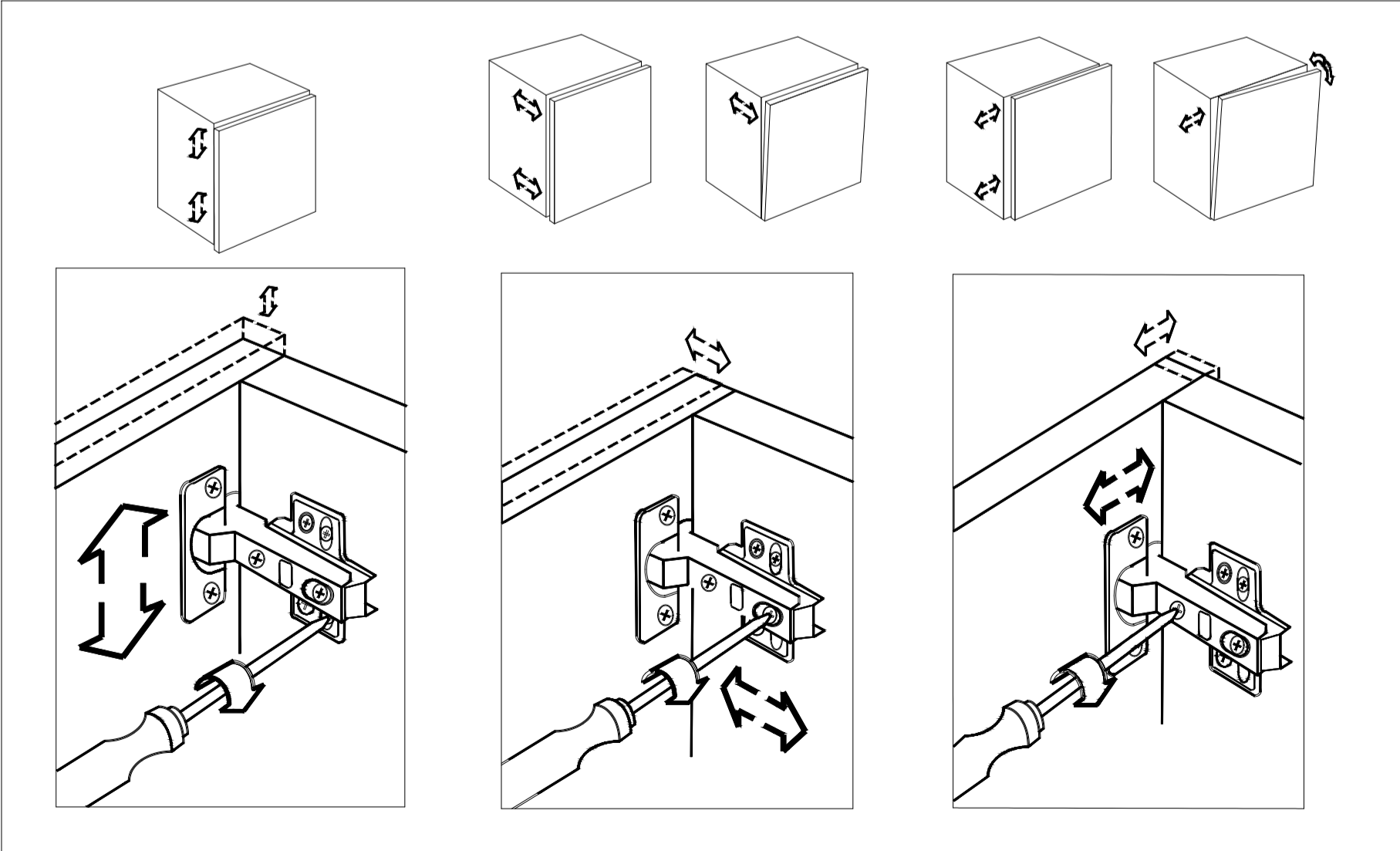
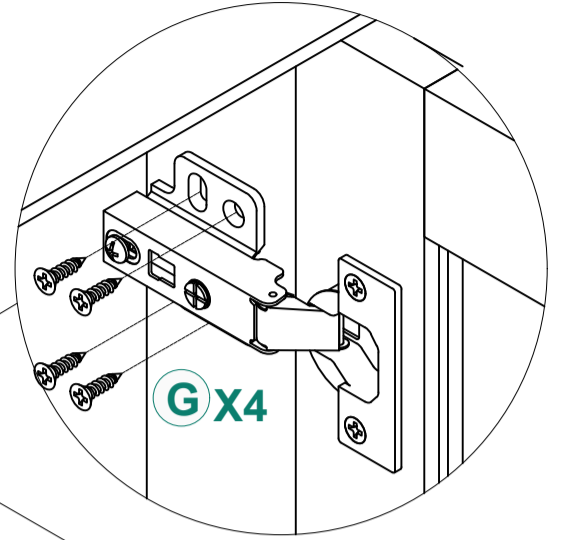
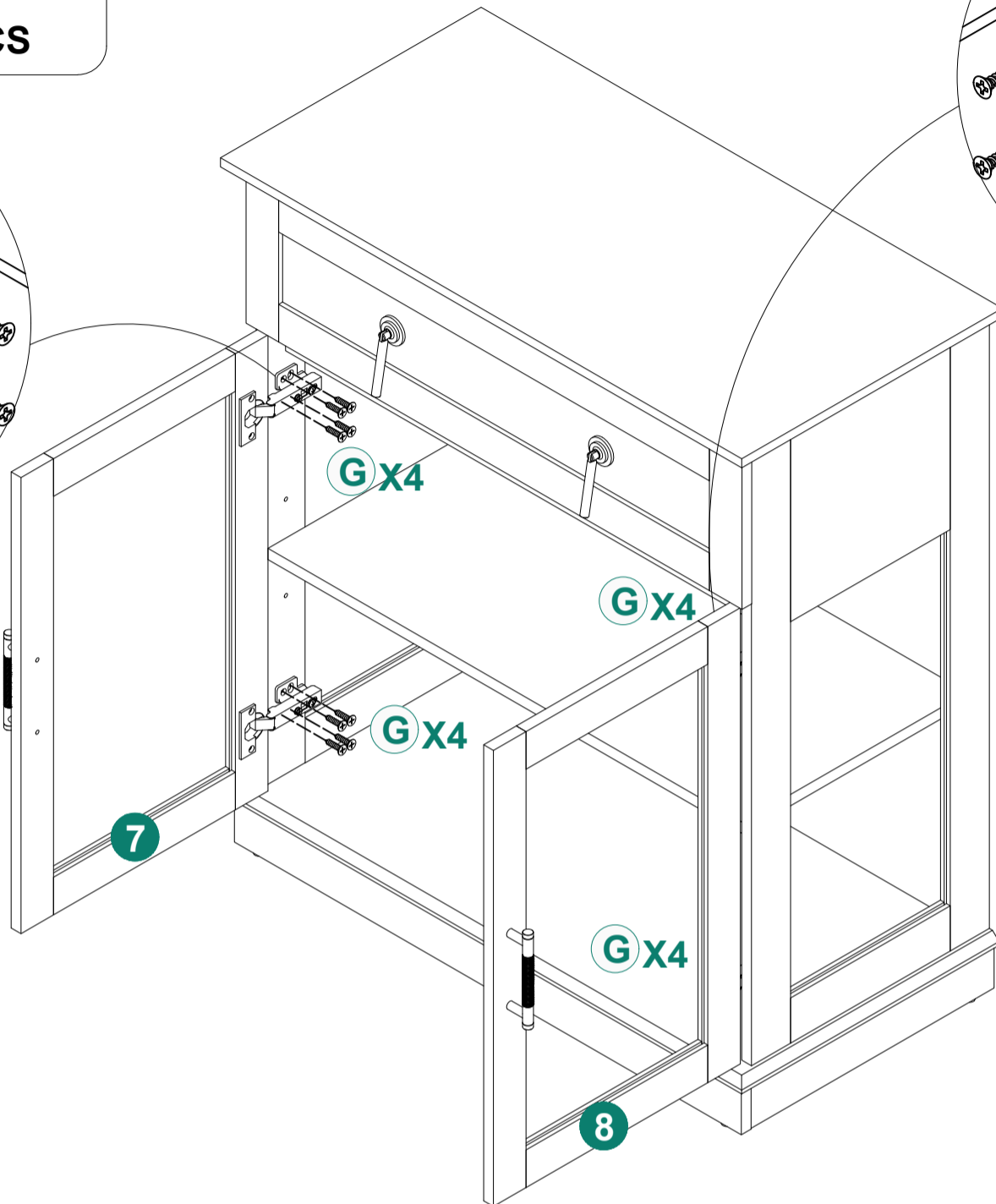
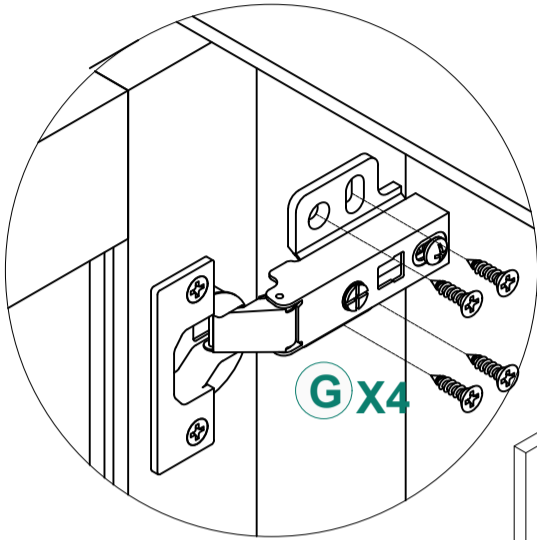
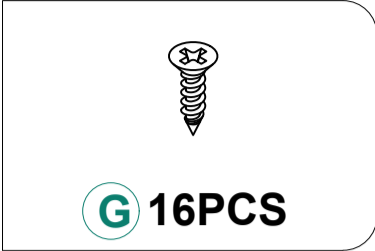
28



19

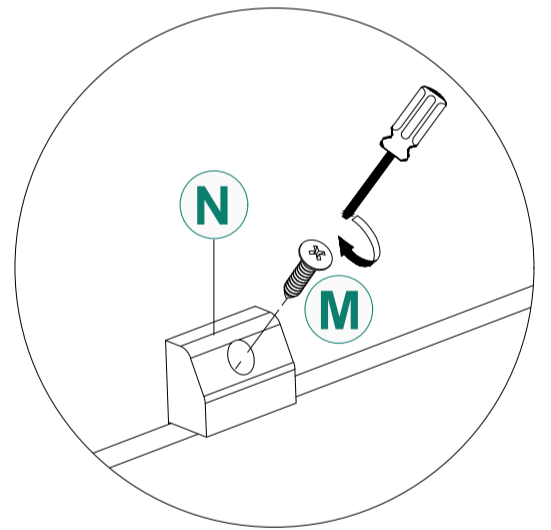
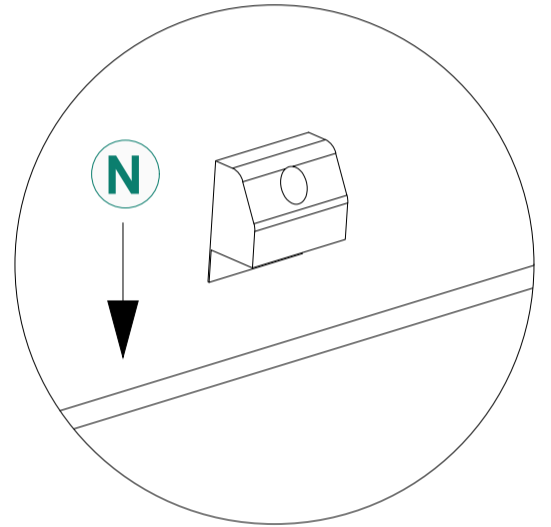
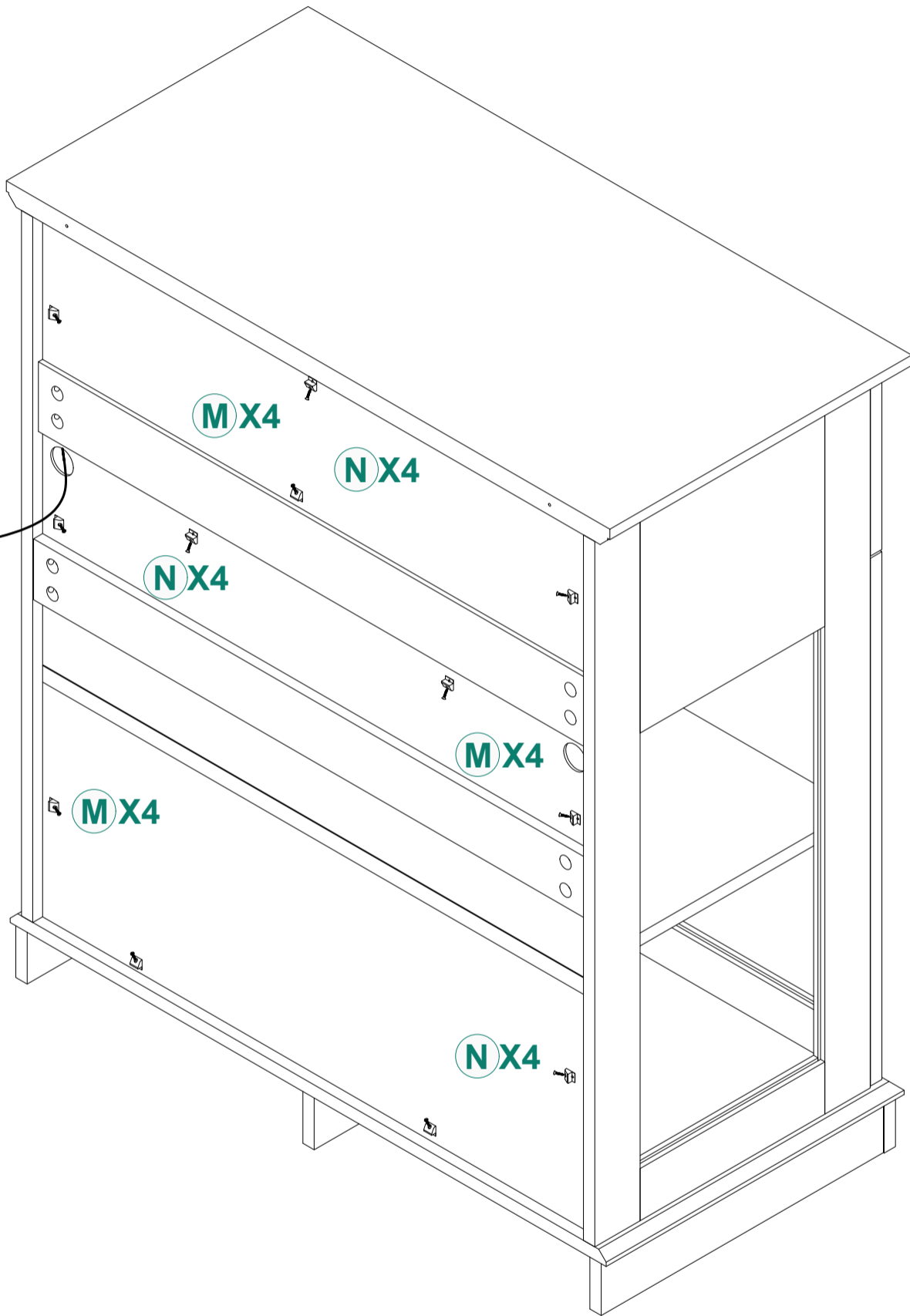


31

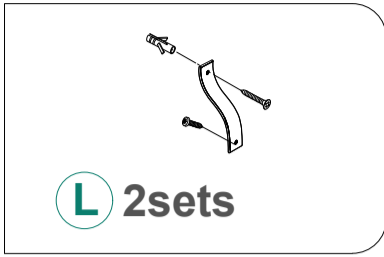


32

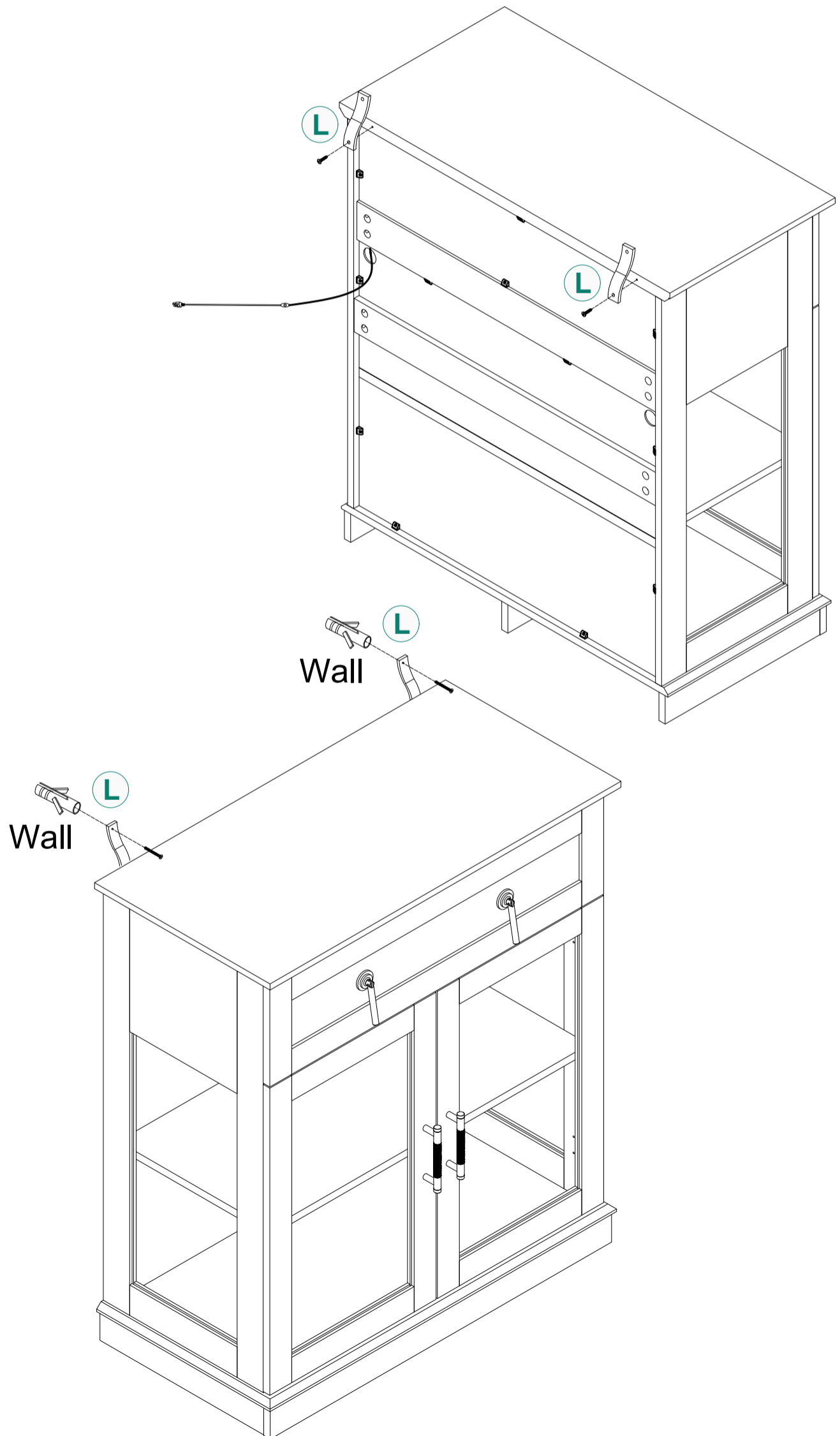
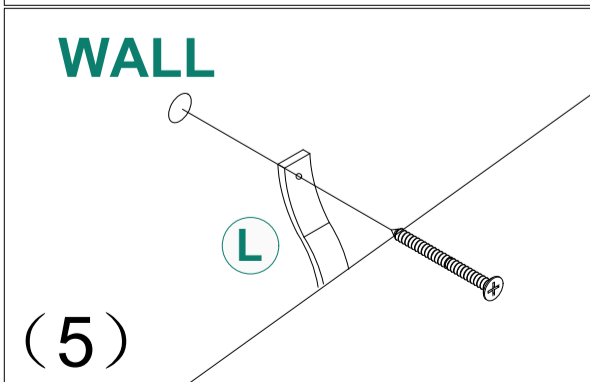
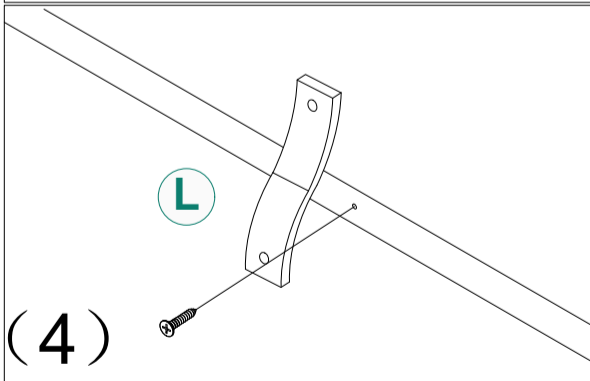
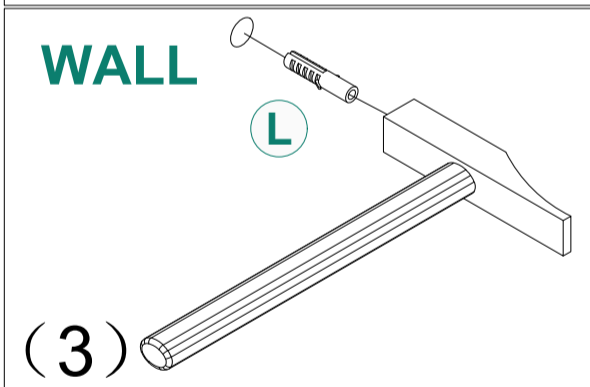
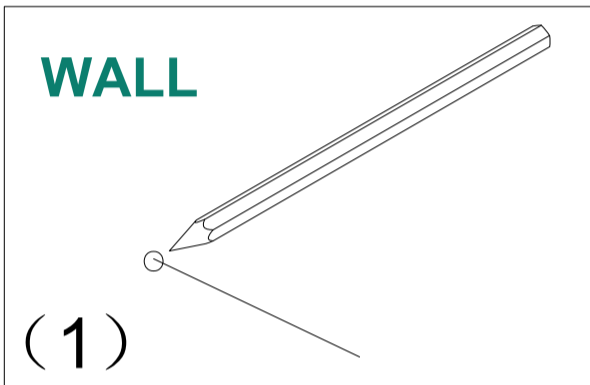
 **M 12PCS**  **N 12PCS**



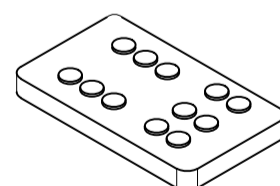
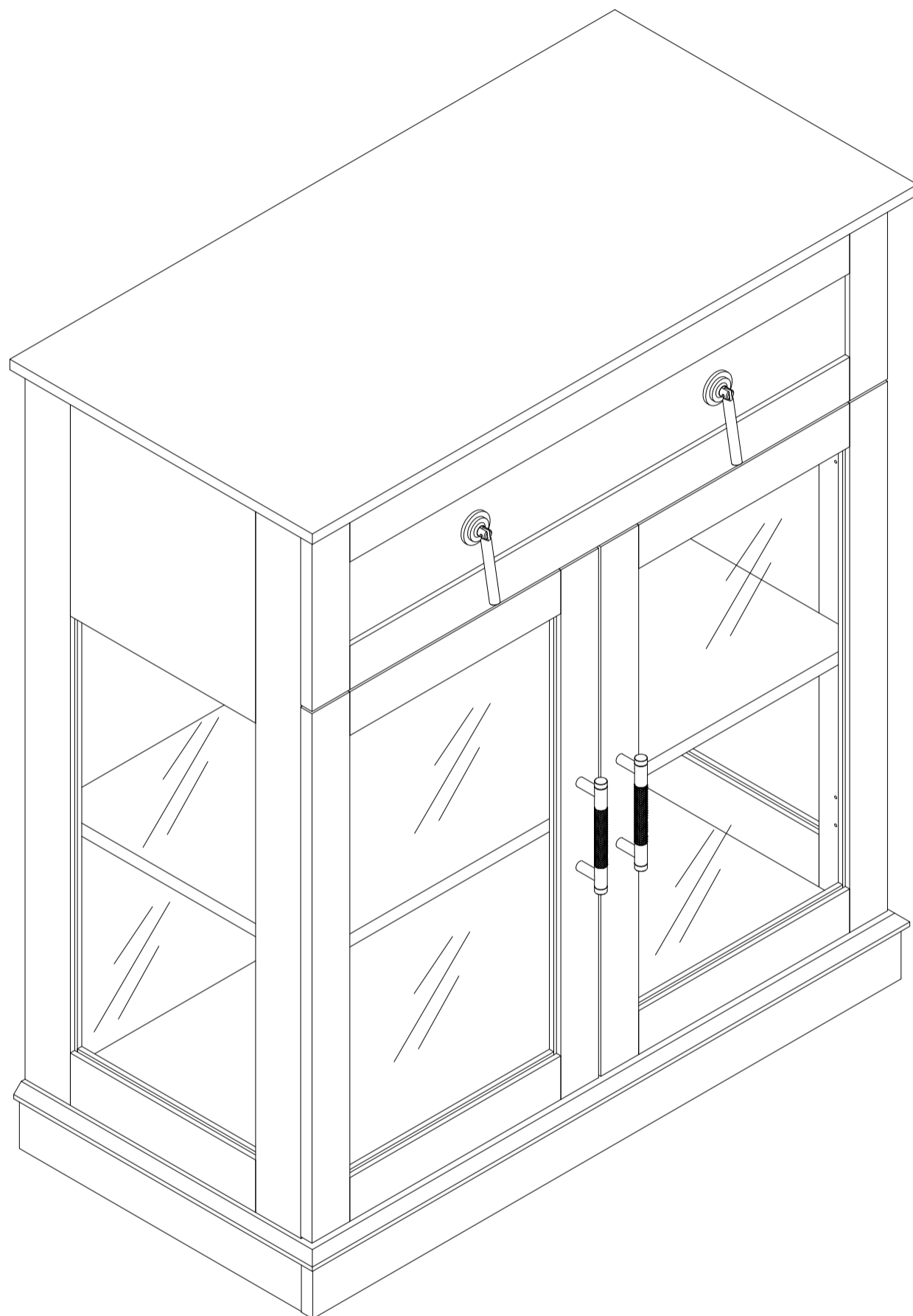
33



DANGER - To prevent furniture from toppling attach, mount, bolt or otherwise secure to walls and floors.
Do not put heavy items on top shelves.
Do not place unstable furniture near where children play.
An anchor kit suitable for plaster walls is included with this item, if you require a different kit consult your nearest hardware store.



34



Effective distance of light control: within 3 meters

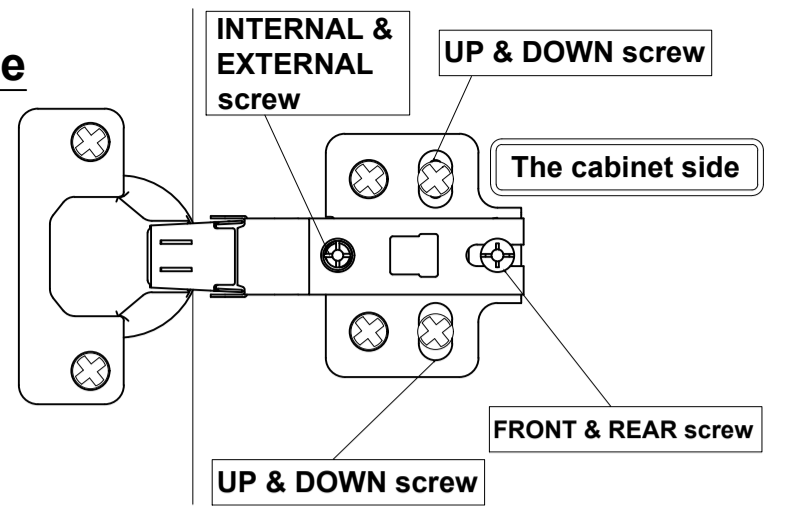
Assembly is complete.

The ways to adjust the door

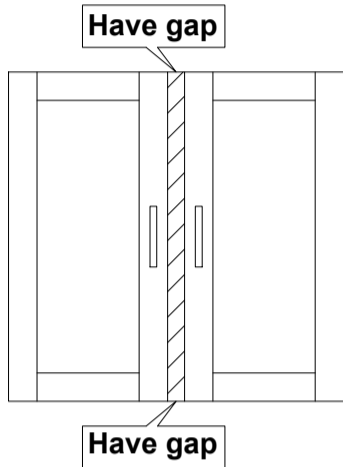
- Before adjusting the hinge, please check whether the cabinet is skewed.
- If the skew can not be repaired, please remove the anti-tipping device first, then adjust the cabinet to vertical position.
- Please adjust the hinge with the door open.
- Please operate it with more than 2 people, one person holds the door and the other one adjusts the screw.

Components Name

The door side

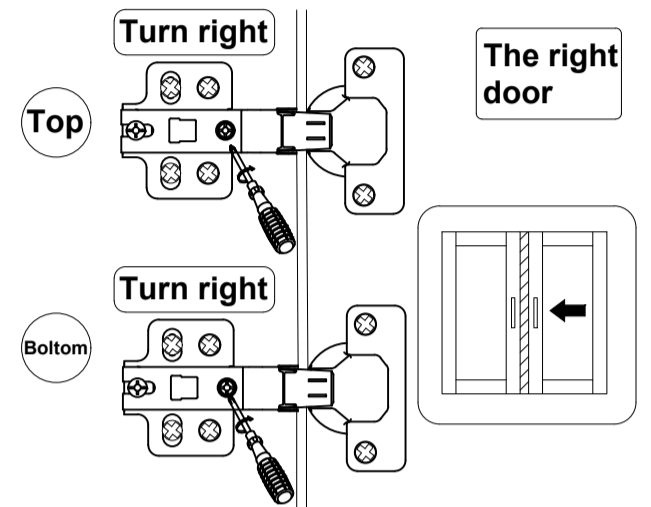
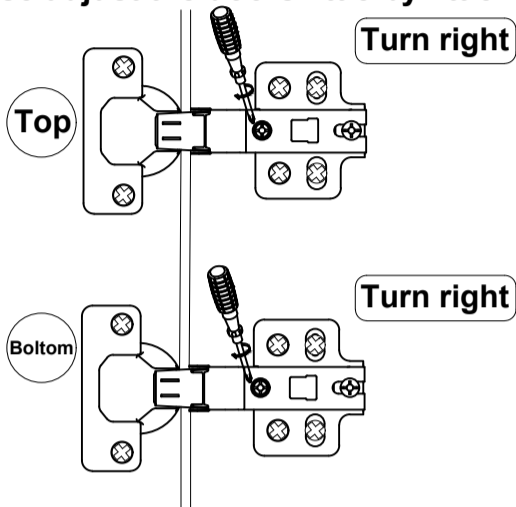


Obvious gaps between doors or Doors don't look closed



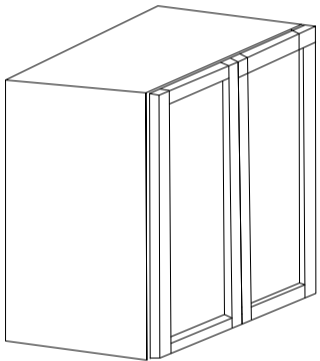
1 Turn "internal & external screw" to the right can make the door approach inside. Please adjust the doors little by little..

The left door



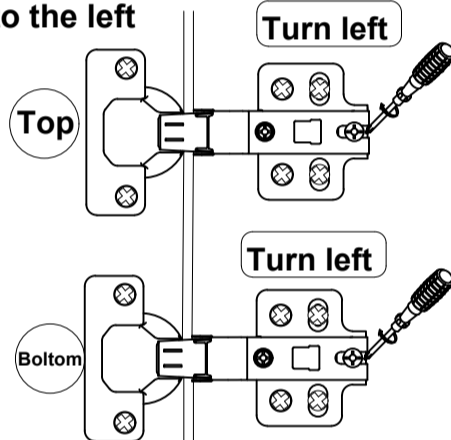
⊗ If the 2 doors are overlap, please turn the "internal & external screw" to the left.

When door is crooked

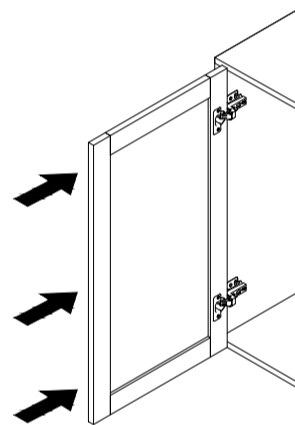


Please take the following steps to adjust first.

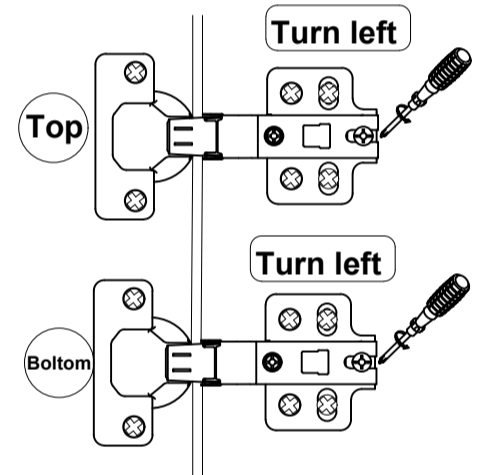
1 Rotate the "font and rear screws" to the left



2 Push the door to the cabinet

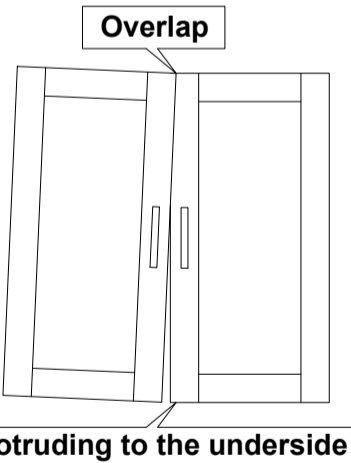


3 Rotate the "font and rear screws" to the right

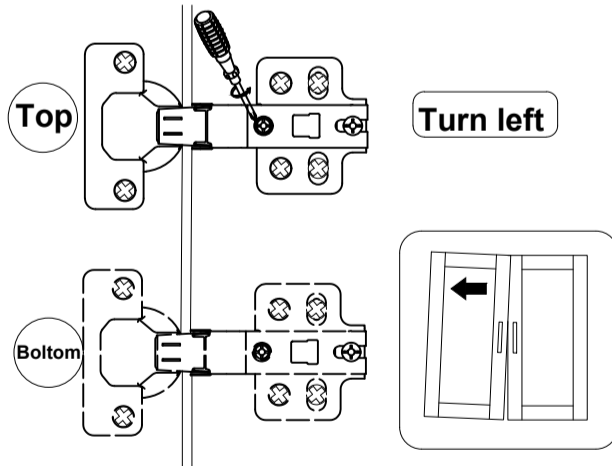


⊗ After adjusting the "front and rear screw", the door still does not change, please turn the "internal & external screw" to the right Slightly.

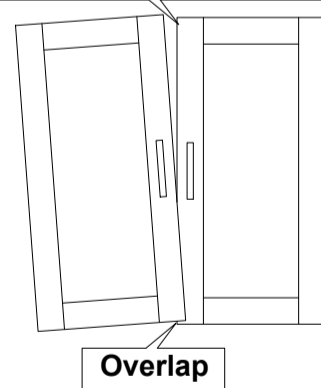
When door is leaning



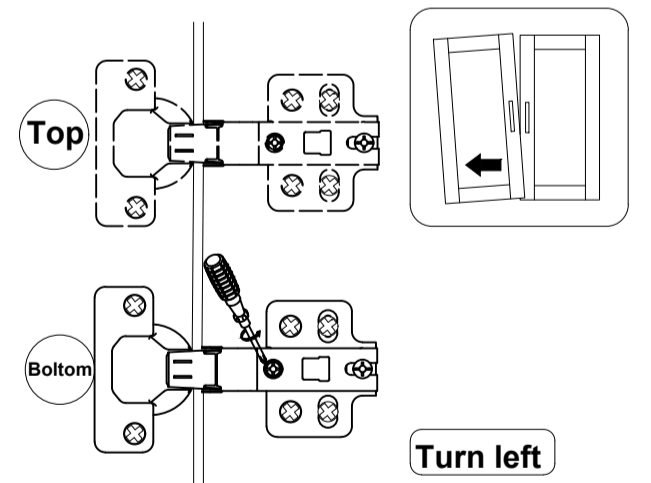
1 Turn "internal & external screw" to the left can make the top of the door tilted outward.



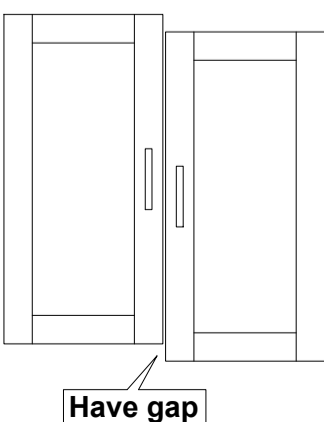
Protruding to the underside



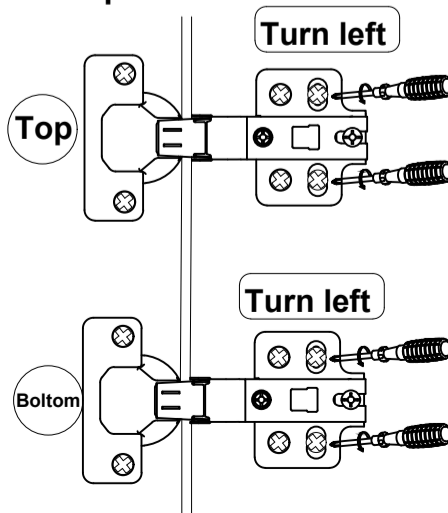
1 Turn "internal & external screw" to the left can make the top of the door tilted outward.



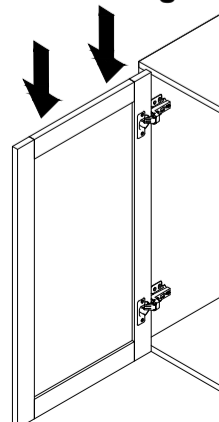
When door is higher on top



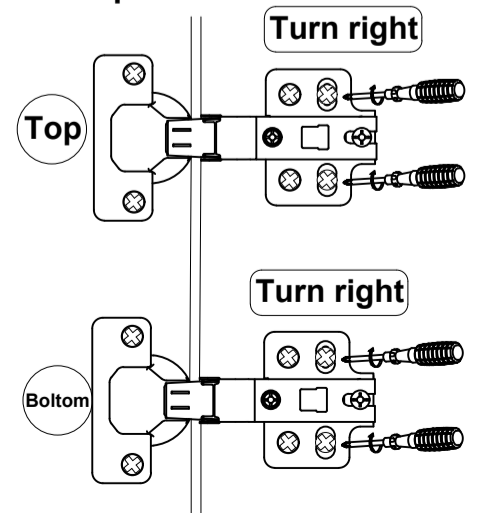
1 Turn "up & down screw" to the left



2 Lower the door's height so that 2 doors are of the same height.



3 Turn "up & down screw" to the right



⊗ if the door is lower on bottom, please lift up the left door slightly on step 2