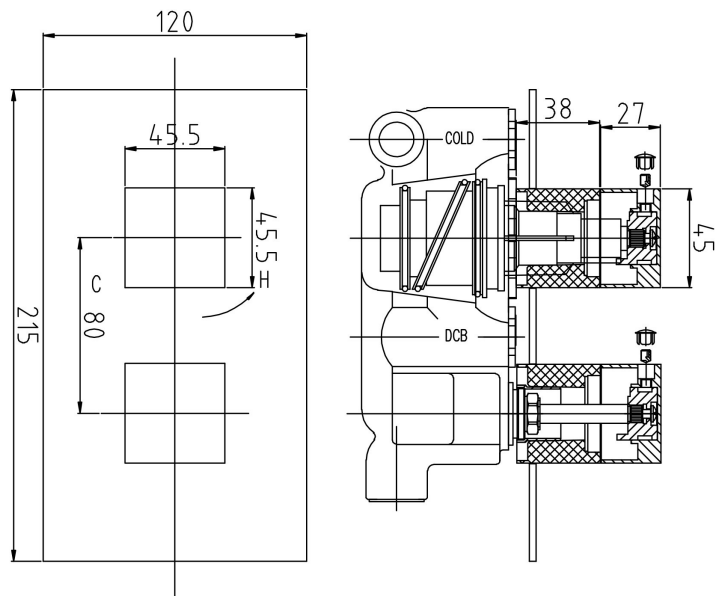


CUSTOMER DATA SHEET - SHOWERS

SALES CODE: SQR3210

DESCRIPTION: Lennox Square Thermostatic Valve



PRODUCT DIMENSIONS

Length(mm)	Width (mm)	Height (mm)	Depth (mm)	Nett Wgt Kg
	120	215	135	3

PACKAGING DIMENSIONS

Length (mm)	Width (mm)	Depth (mm)	Gross Wgt Kg
250	240	110	3

PACKAGING DATA

Box Colour	White Cardboard Box		
Box Qty	1	Label Colour	White Label
Label Size	100 x 50	Label Qty	2

OUTER BOX DIMENSIONS (If Applicable)

Length (mm)	Width (mm)	Height (mm)	Depth (mm)	Gross Wgt Kg
	280	360	510	18
Barcode	5055369051717			

PRODUCT DETAILS

Country of Origin	United Kingdom
Fitting Instruction	Yes
Product Material	Brass
Mount Type	Wall, Recessed
Outlet Elbow Supplied	No
Easy Clean	Not Applicable
Head Included	No
Handset Included	No
Body Jets Included	No
No of Body Jets	Not Applicable
Operating Pressure (bar)	0.1
Valve/Cartridge Type	1/4 Turn Ceramic Disc

Flow Rates (L/min)	0.1 bar	5.5	0.5 bar	14	1 bar	20	2 bar	29	3 bar	44
TMV2 Approved	Yes		Approval No.		Bc1875/0817					
TMV3 Approved	Yes		Approval No.		Bc1119/1212					
WRAS Approved	No		Approval No.		1703023					
Head Function	Not Applicable									
Handset Function	Not Applicable									
Body Jet Info	Not Applicable									
Pipe Size	15 mm (1/2" Bsp)									
Pipe Centres	N/A									
Colour/Finish	Chrome									
Hose Included	Not Applicable									