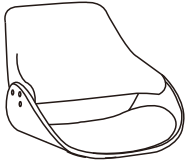
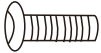
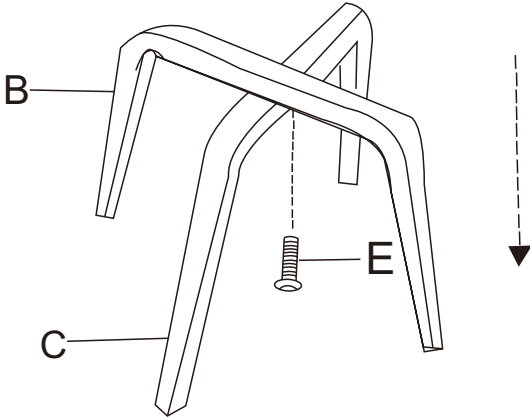
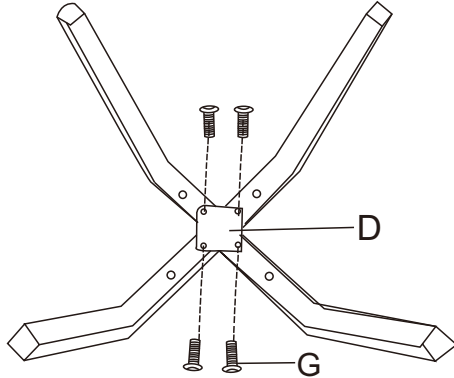
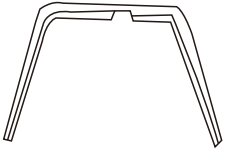

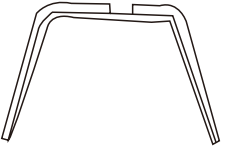

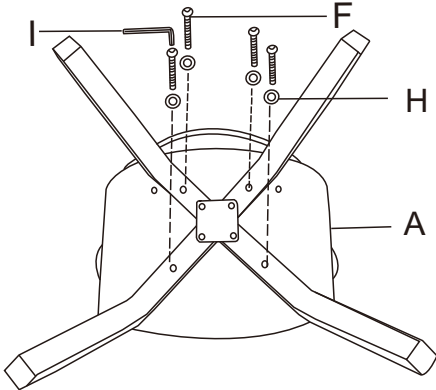
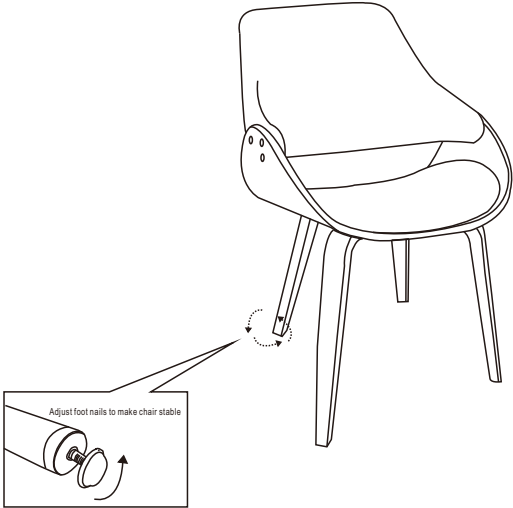
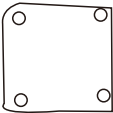



Please check that all fittings are available and in good condition before assembly  
 If you have any questions, please contact us, we will solve your problem in the first time.

<p>A*1</p> 	<p>E*1</p>  <p>M6*25MM</p>	<p>1</p> 	<p>2</p> 
<p>B*1</p> 	<p>F*4</p>  <p>M6*45MM</p>		
<p>C*1</p> 	<p>G*4</p>  <p>M6*30MM</p>	<p>3</p> 	<p>4</p> 
<p>D*1</p> 	<p>H*4</p>  <p>φ18*φ6MM</p> <p>I*1</p> 