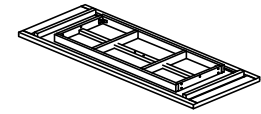
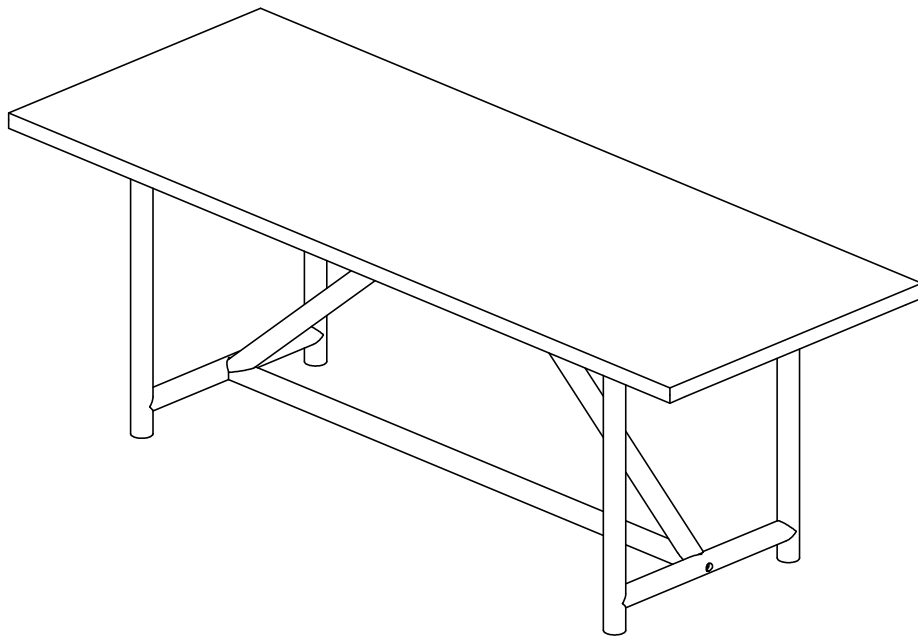


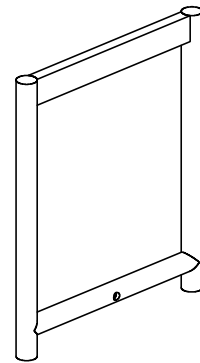
DINING TABLE

A - TOP



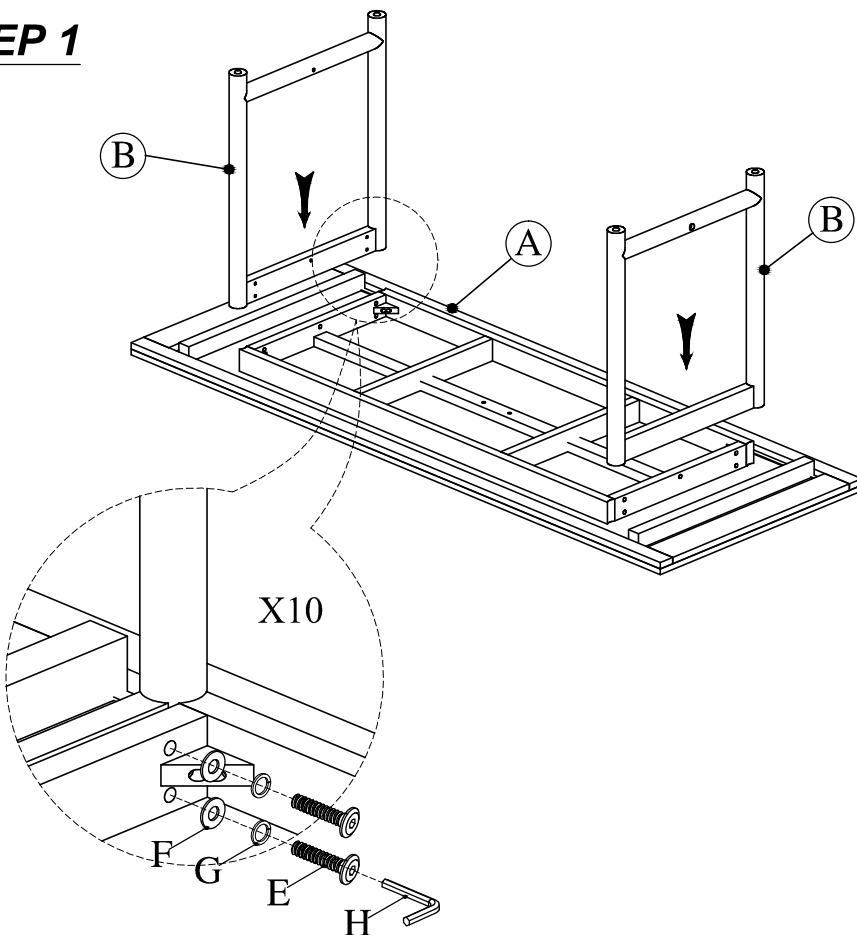
1

B - BASE

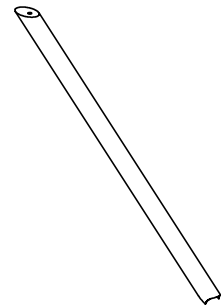


2

STEP 1

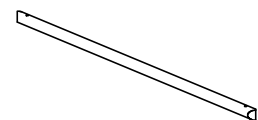


C - Support leg



2

D - Crossbar

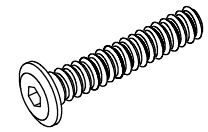
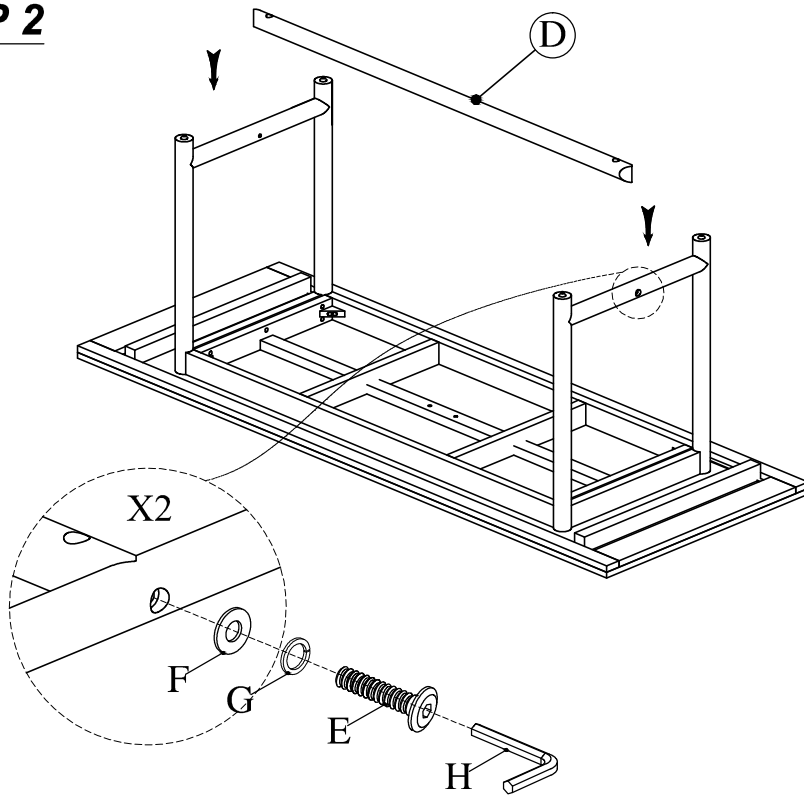


1

DINING TABLE

E - Bolt M8x60

STEP 2



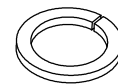
16

F - Flat washer



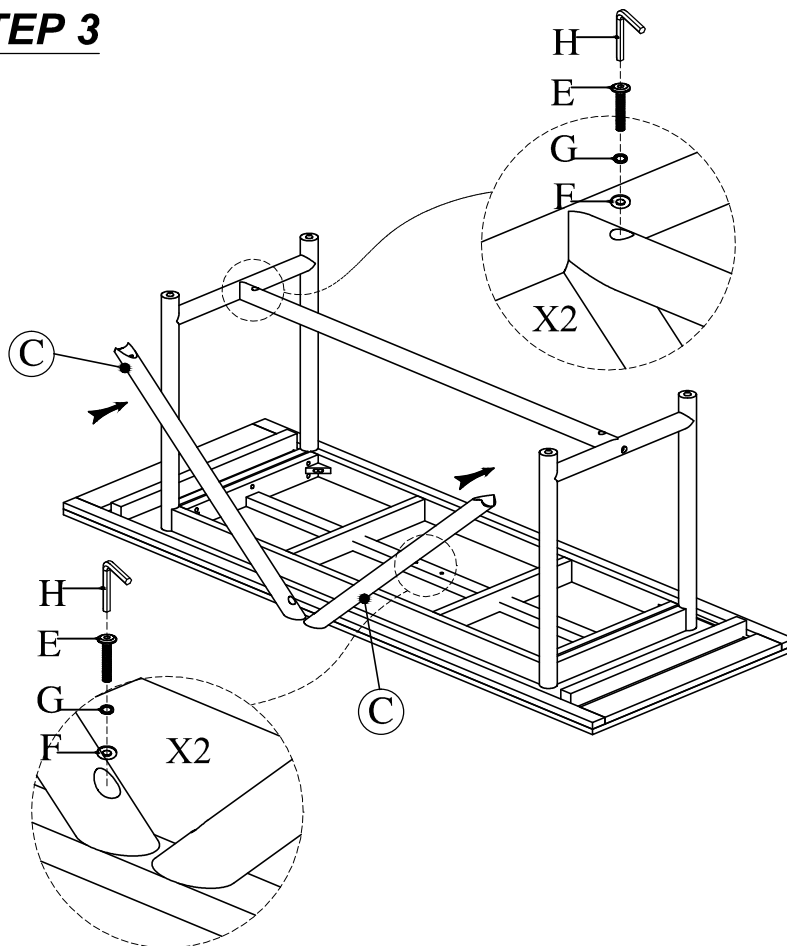
16

G-Spring washer

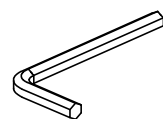


16

STEP 3



H - allen wrench
(included)



1