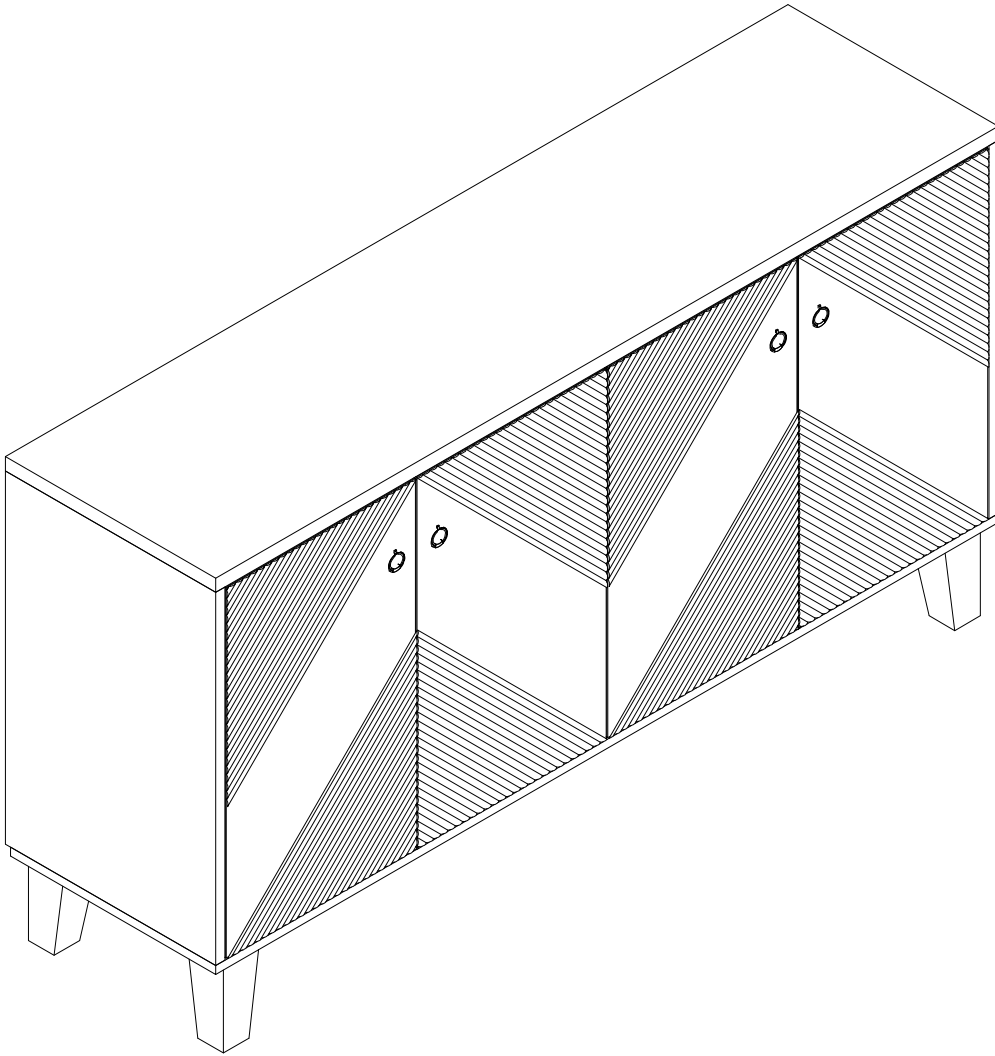
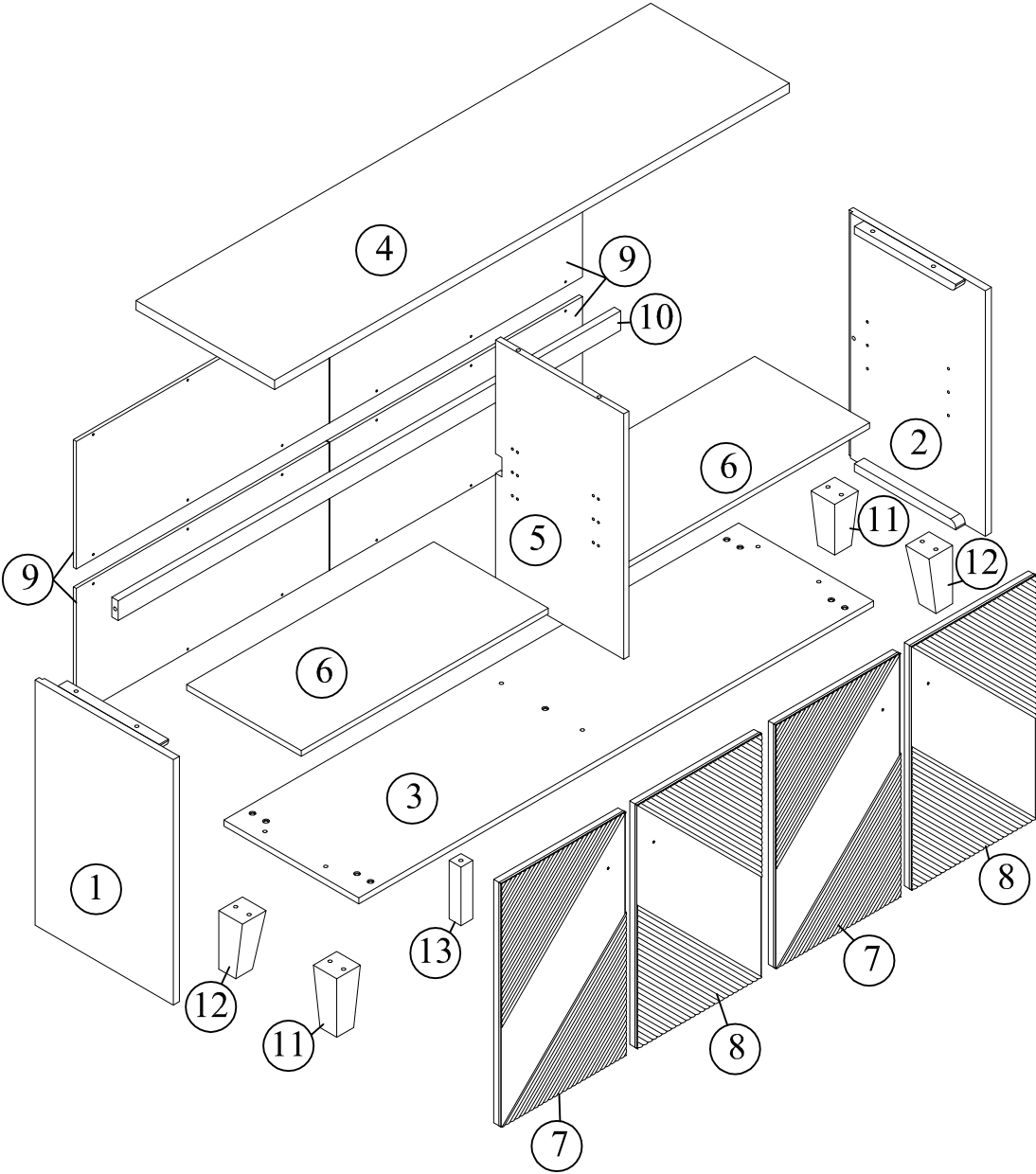


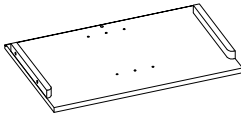
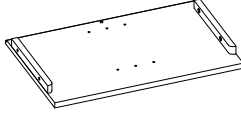
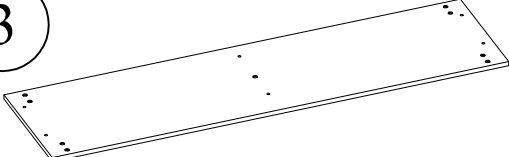
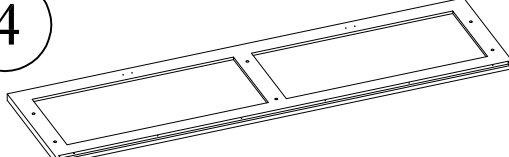
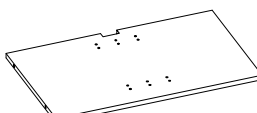
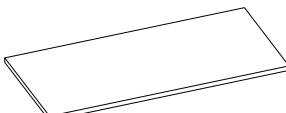
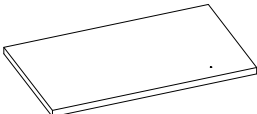
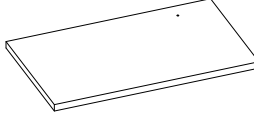
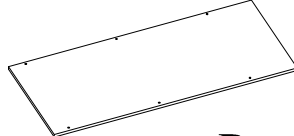
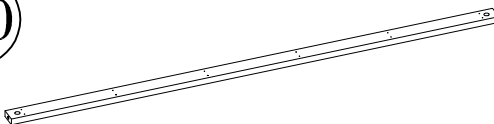

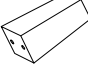

ASSEMBLY INSTRUCTION




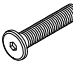












Detail view



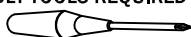
Part List

<p>1</p>  <p>Cabinet side-1PC</p>	<p>2</p>  <p>Cabinet side-1PC</p>
<p>3</p>  <p>Cabinet bottom-1PC</p>	<p>4</p>  <p>Cabinet top-1PC</p>
<p>5</p>  <p>Mid Cabinet-1PC</p>	<p>6</p>  <p>Cabinet shelf- 2PCS</p>
<p>7</p>  <p>Door Cabinet - 2PCS</p>	<p>8</p>  <p>Door Cabinet - 2PCS</p>
<p>9</p>  <p>Panel - 4PCS</p>	<p>10</p>  <p>Crossbar - 1PC</p>
<p>11</p>  <p>Leg Supports - 2PCS</p>	<p>12</p>  <p>Leg Supports - 2PCS</p>
<p>13</p>  <p>Leg Supports - 1PC</p>	


Hardware List

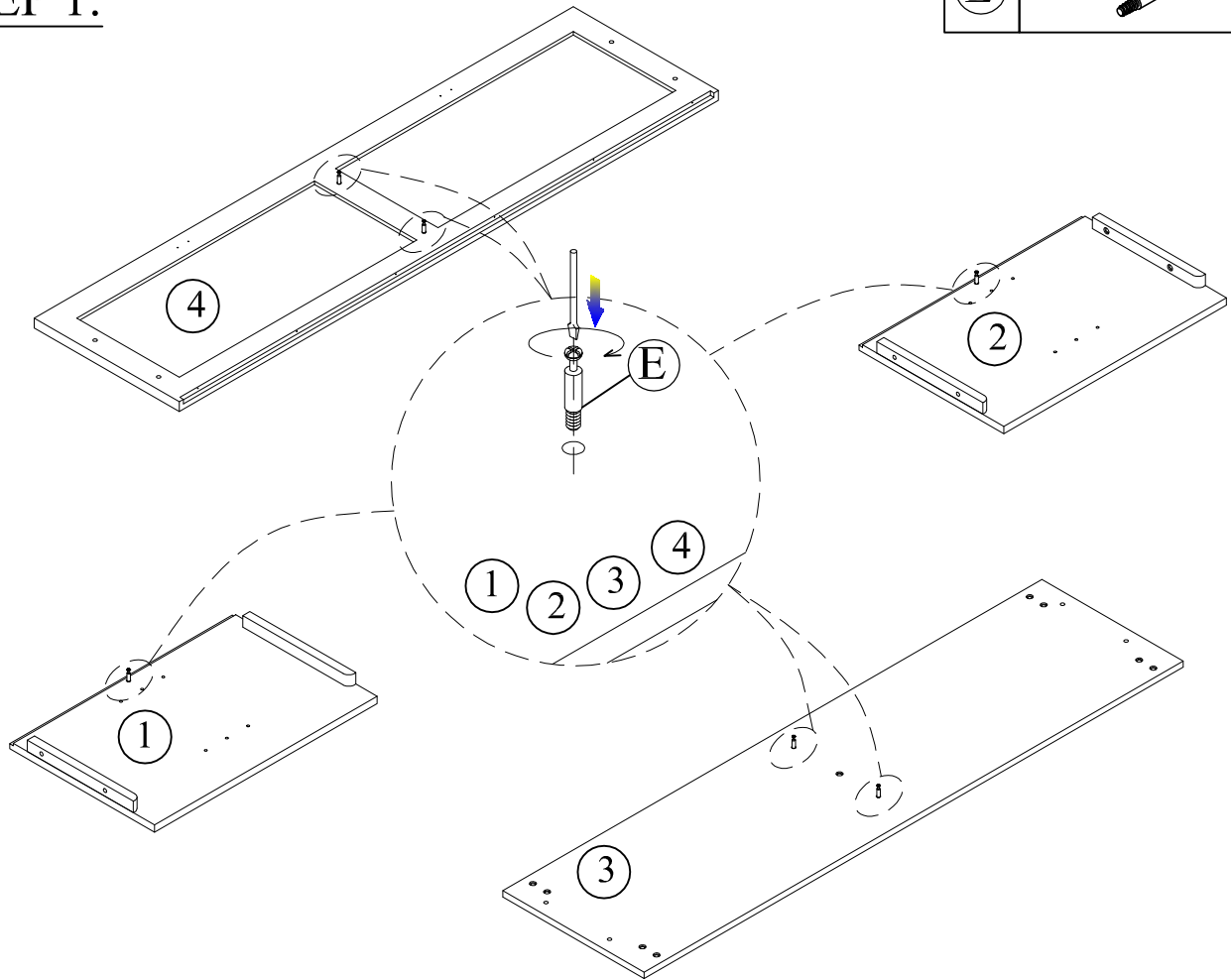
No.	OUTLOOK	DESC	QTY
(A)		Bolts 1/4"*25mm	08
(B)		Bolts 1/4"*30mm	09
(C)		Door Hinge	04
(D)		Door Hinge	04
(E)		Connecting Bolt	06
(F)		Connector Housing	06
(G)		Door Knob	04
(H)		Base L	08
(I)		Screws #8*30mm	04
(J)		Round head screw #8*20mm	24
(K)		Screws #6*12mm	48
(L)		Horizontal lock	01
(M)		Wood stops	02
(N)		Anti-flip cabinet set	01

ASSEMBLY TOOLS REQUIRED (NOT INCLUDED)

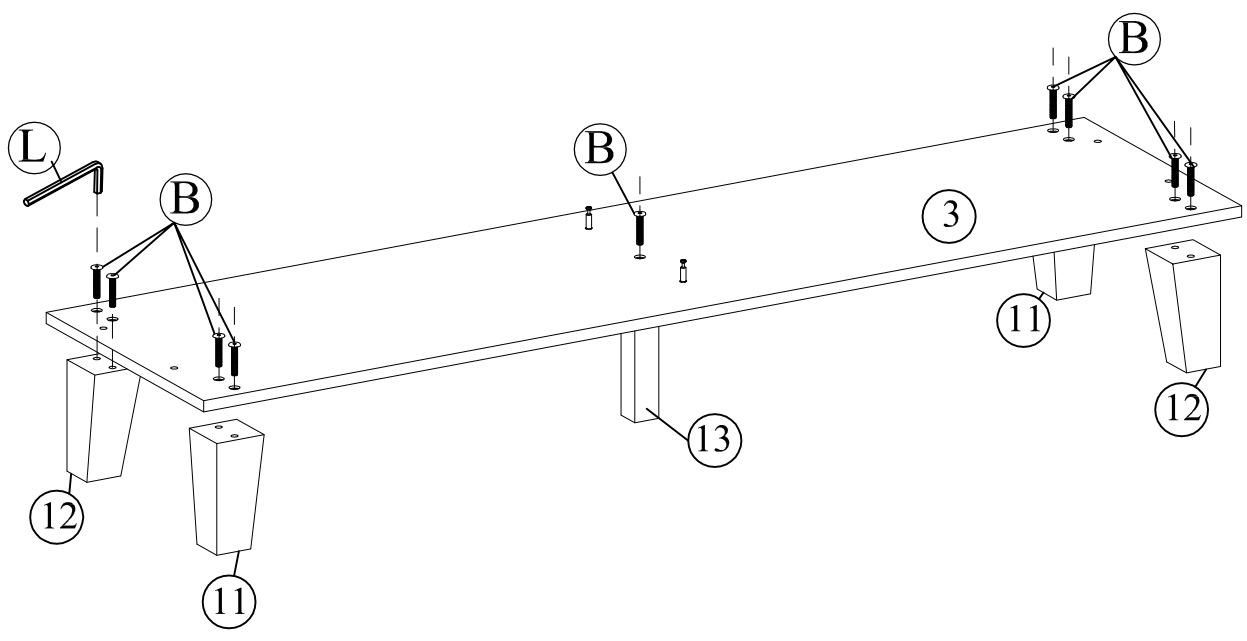


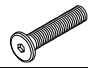

STEP 1:

E		06
---	--	----



STEP 2:



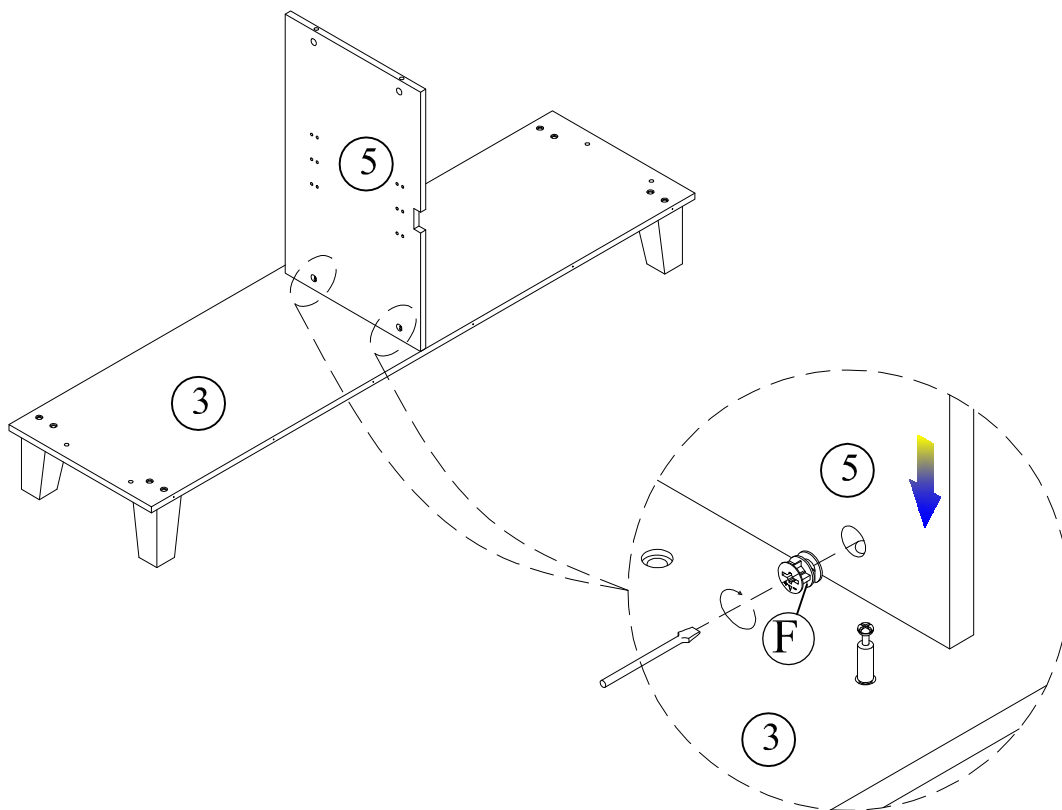
B		09
L		01

STEP 3:

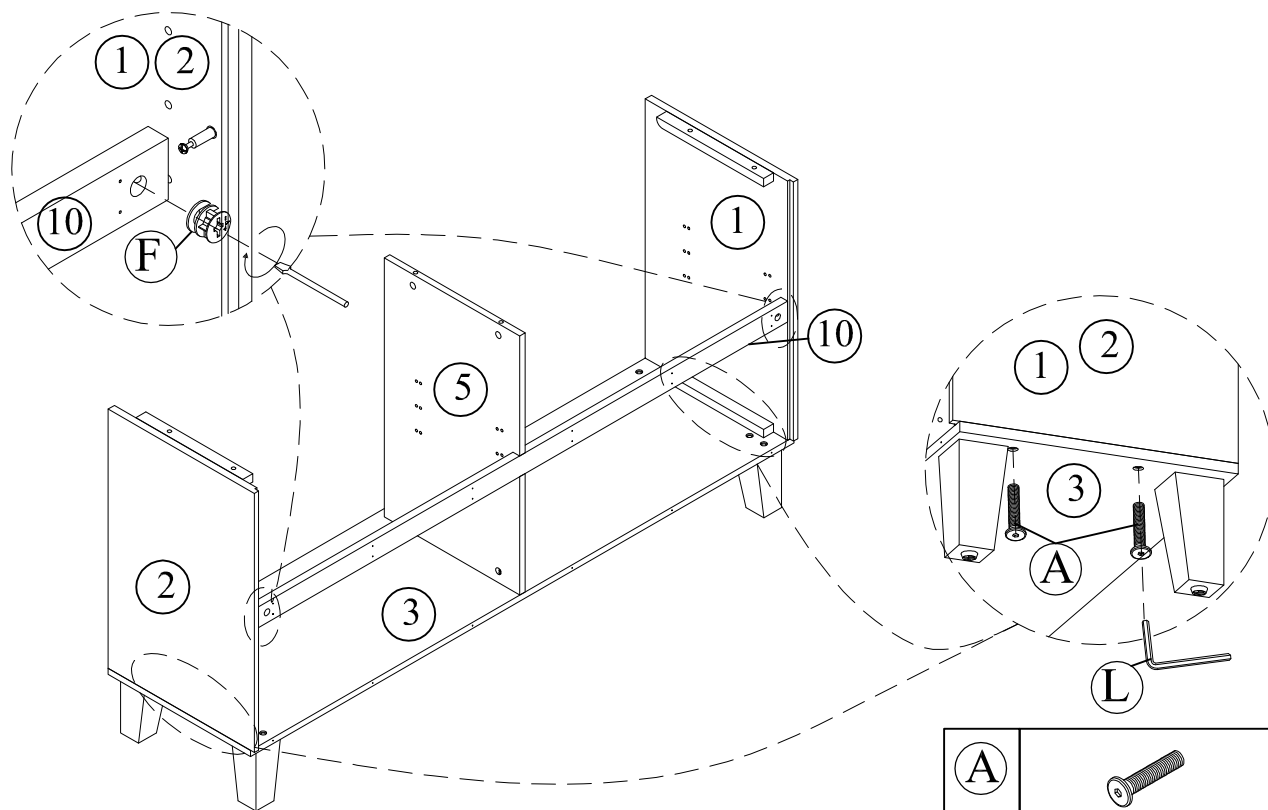
F



02



STEP 4:



A



04

F



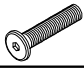


02

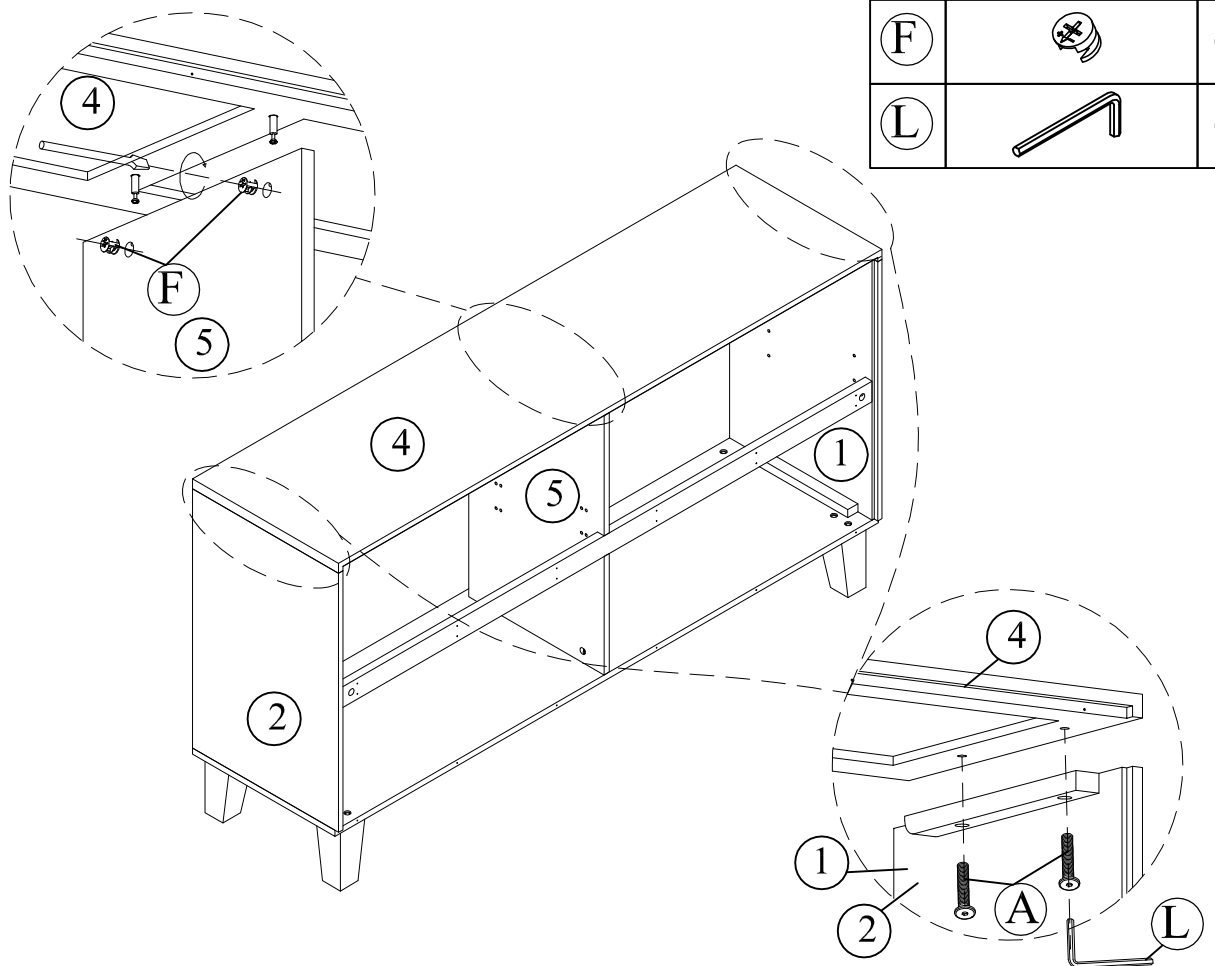
L



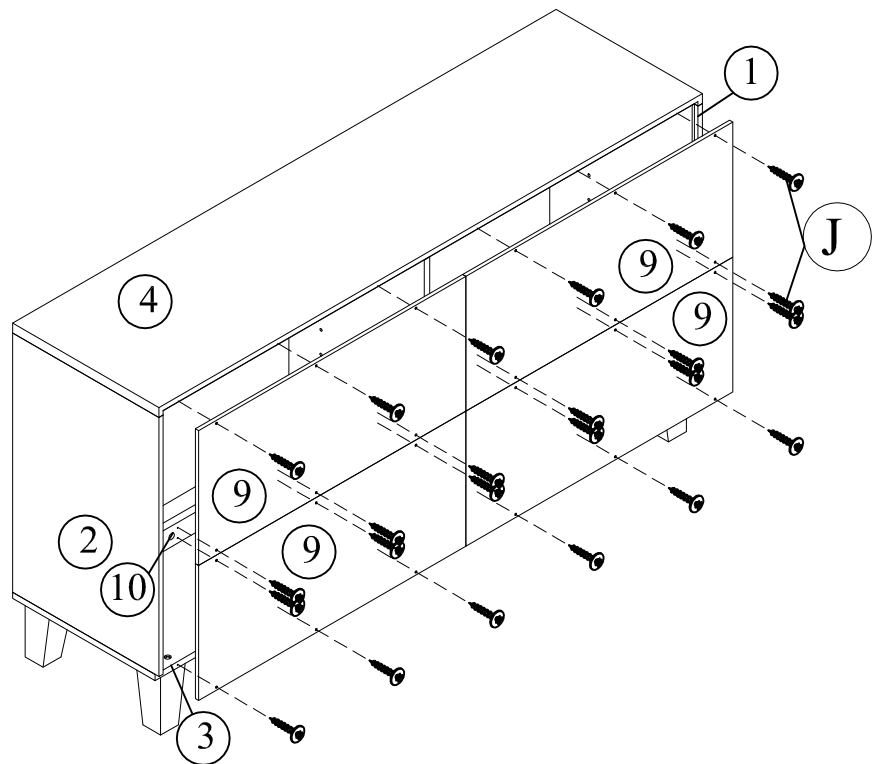
01

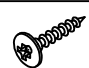
STEP 5:

(A)		04
(F)		02
(L)		01




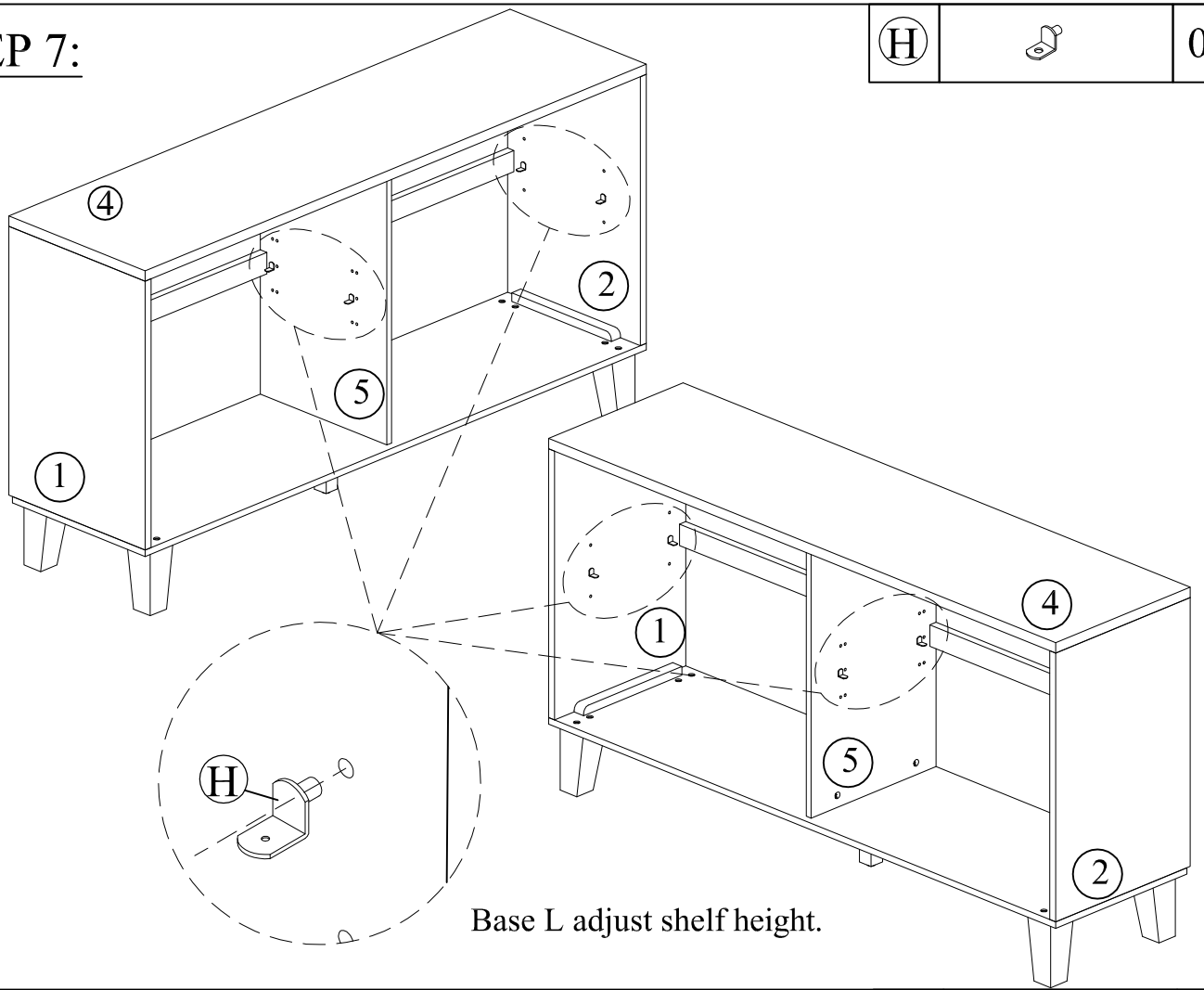
STEP 6:



(J)		24
-----	---	----



STEP 7:

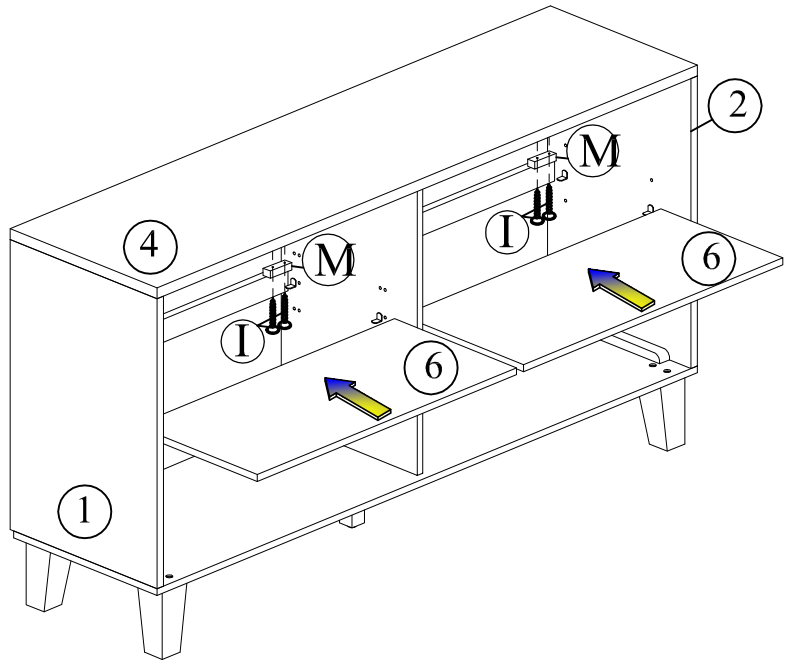
(H)		08
-----	--	----





Base L adjust shelf height.

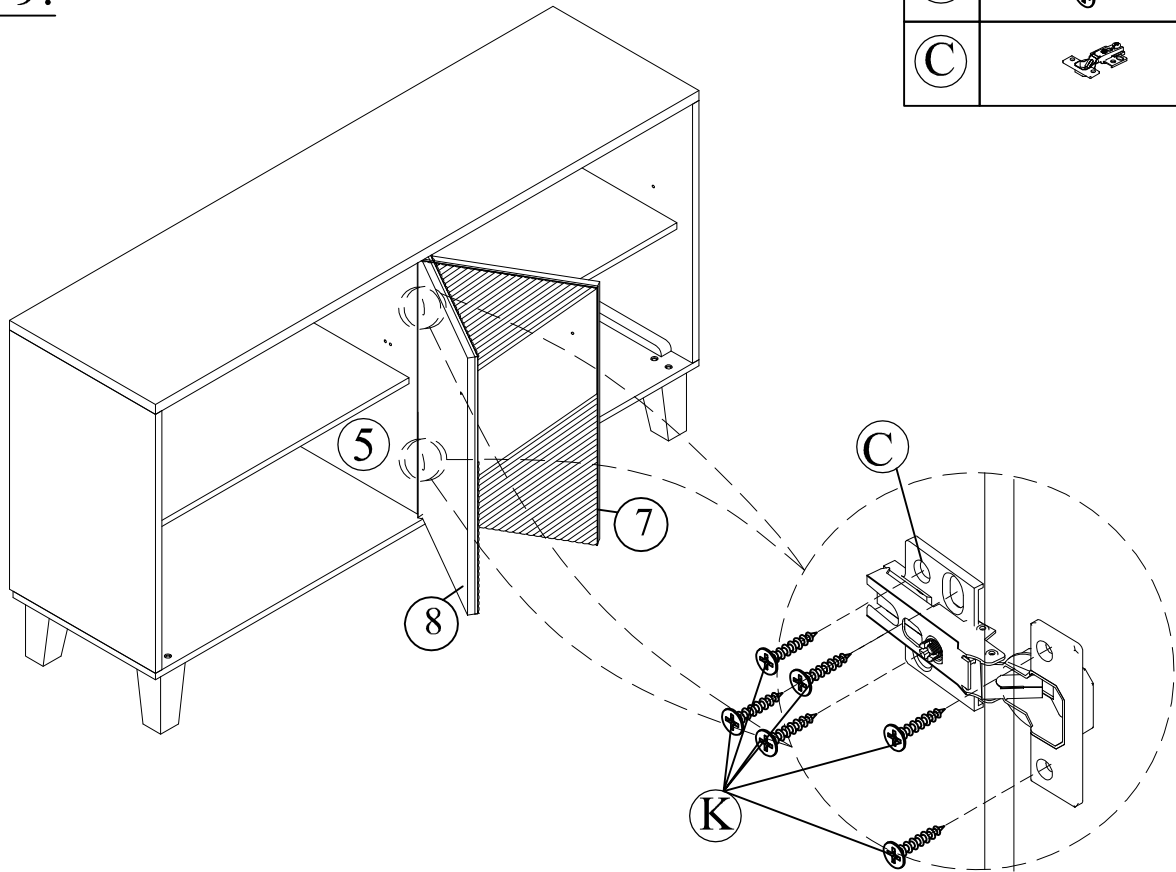
STEP 8:

(I)		04
(M)		02





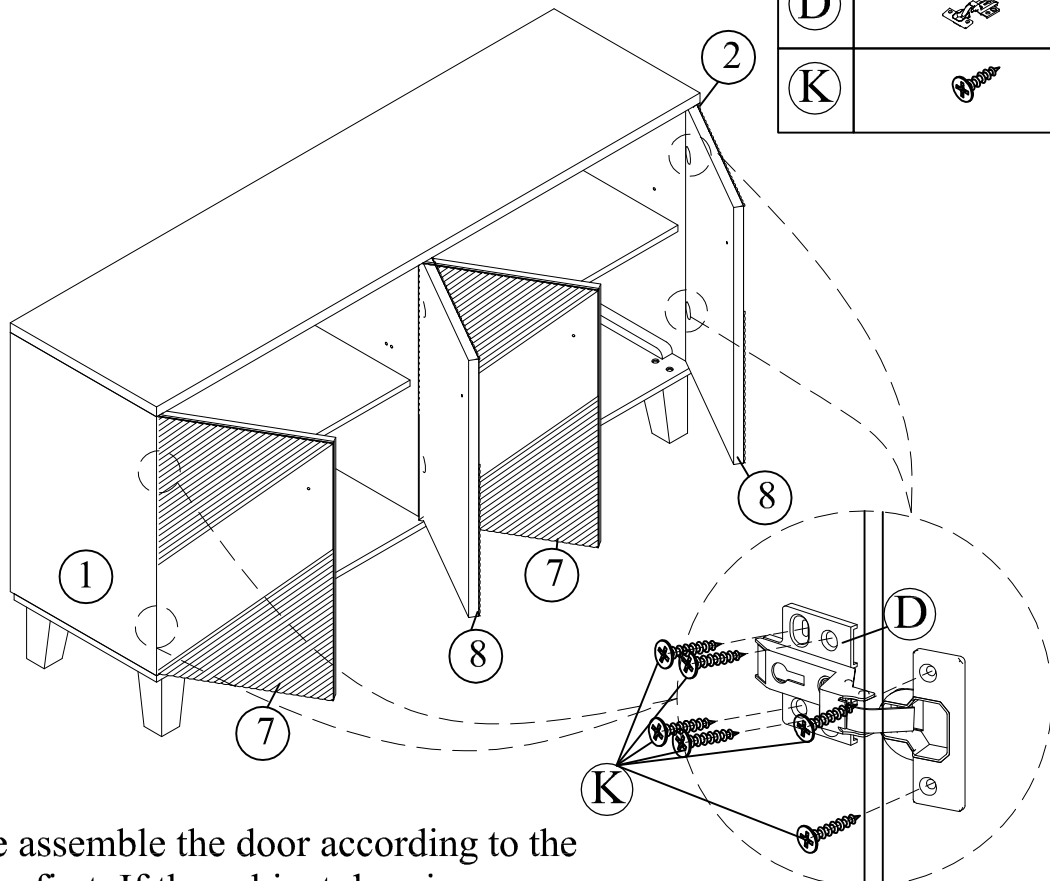
STEP 9:

(K)		24
(C)		04



STEP 10:

(D)		04
(K)		24



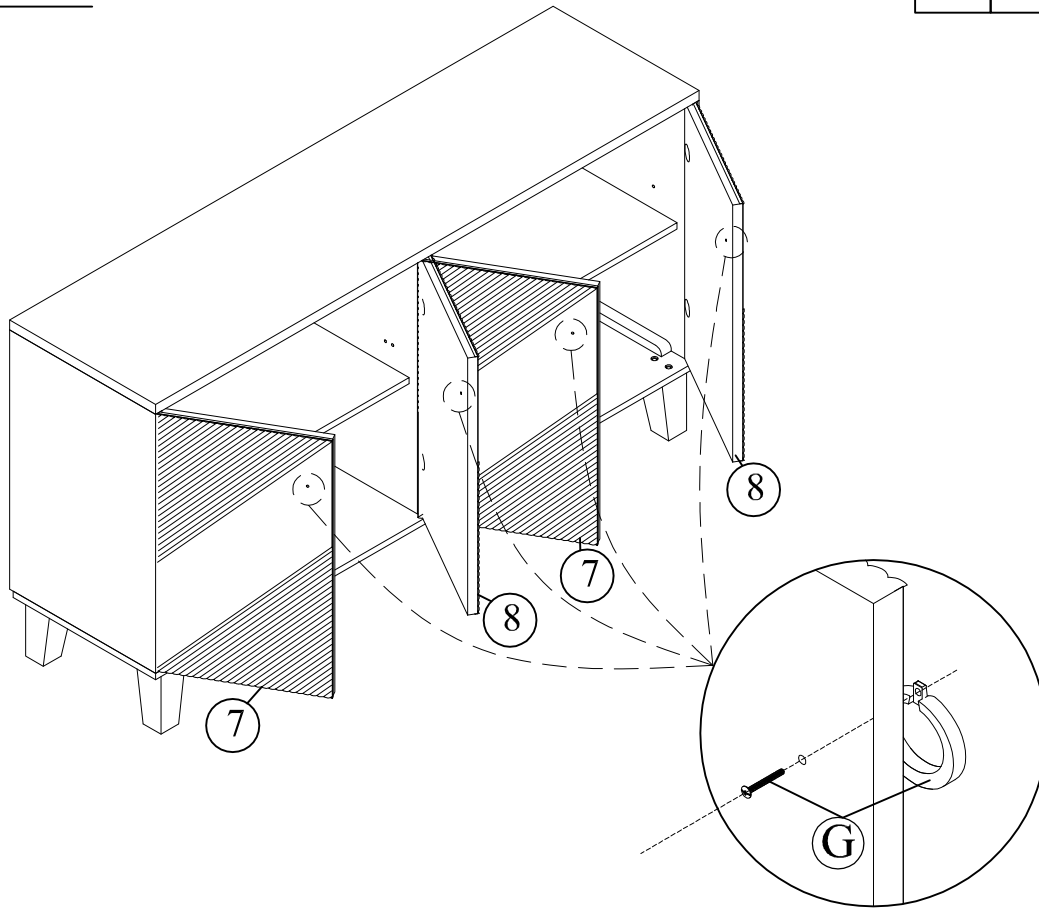
*Note: Please assemble the door according to the installation steps first. If the cabinet door is deviated, the internal hinge needs to be slowly adjusted to solve the problem.

STEP 11:

G

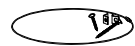


04

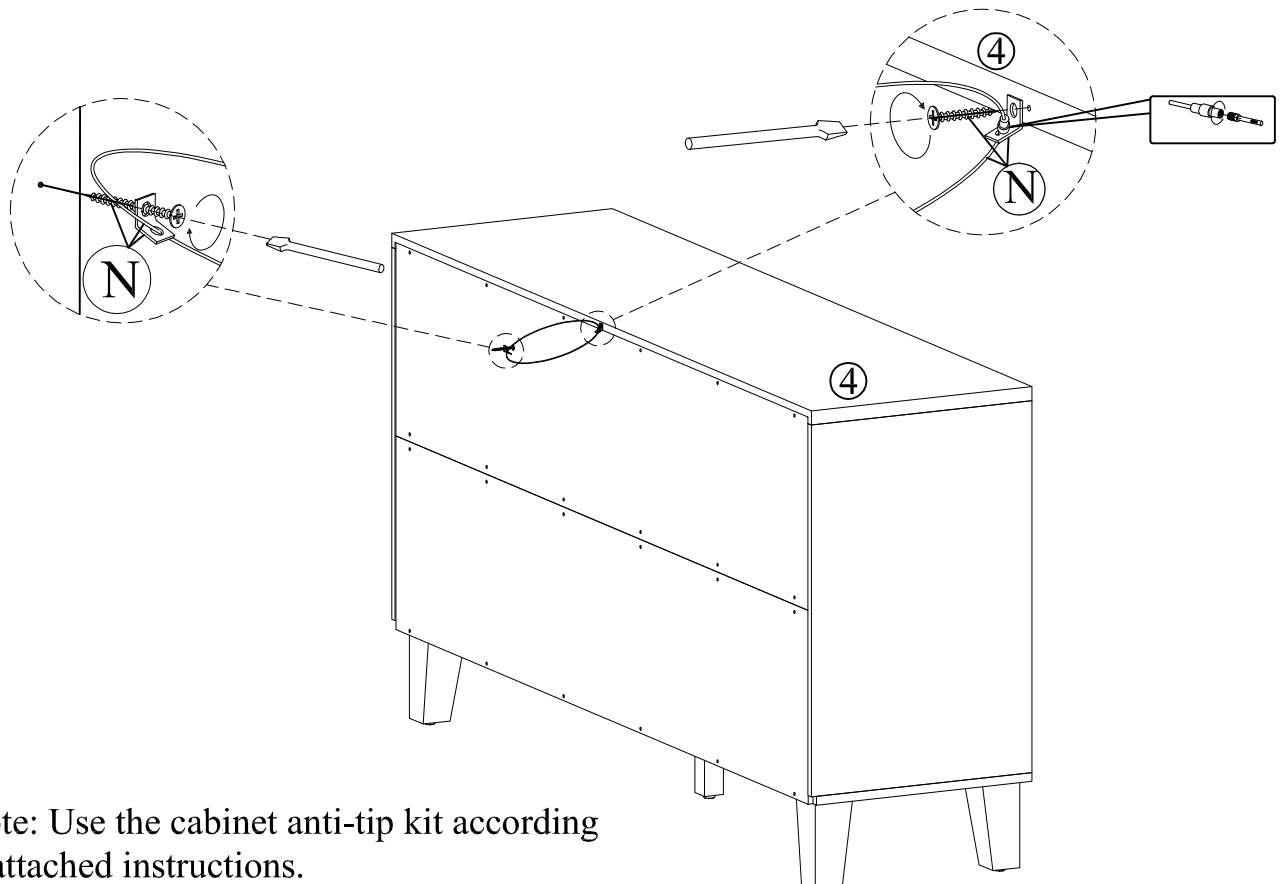


STEP 12:

N

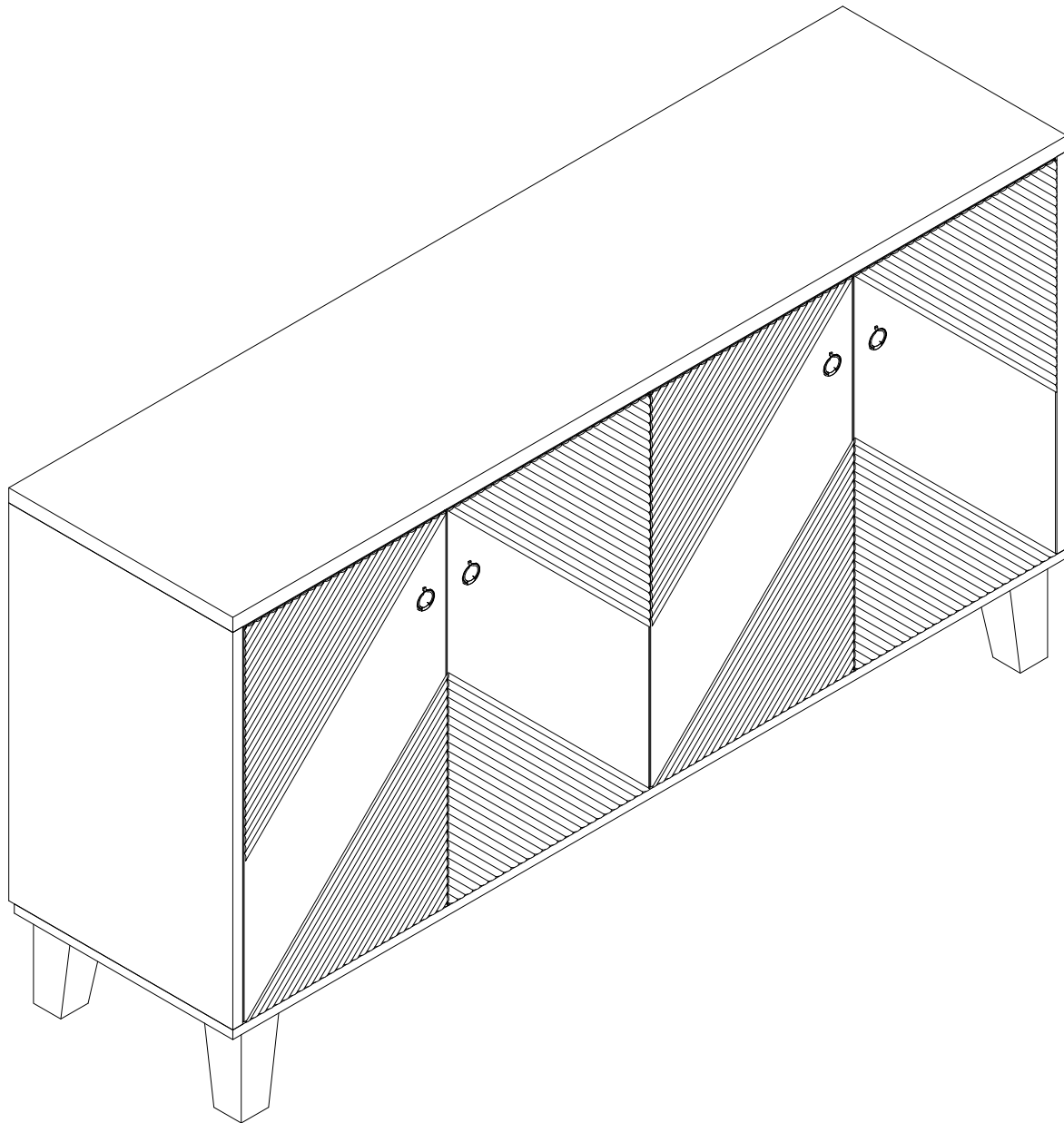


01



* Note: Use the cabinet anti-tip kit according to the attached instructions.

FINAL:



1. Note: This is not a clothing storage cabinet and it is not recommended to use it as a clothing storage cabinet.
2. All cabinets come with TRD, stainless steel or our "L-Bracket" when shipped.