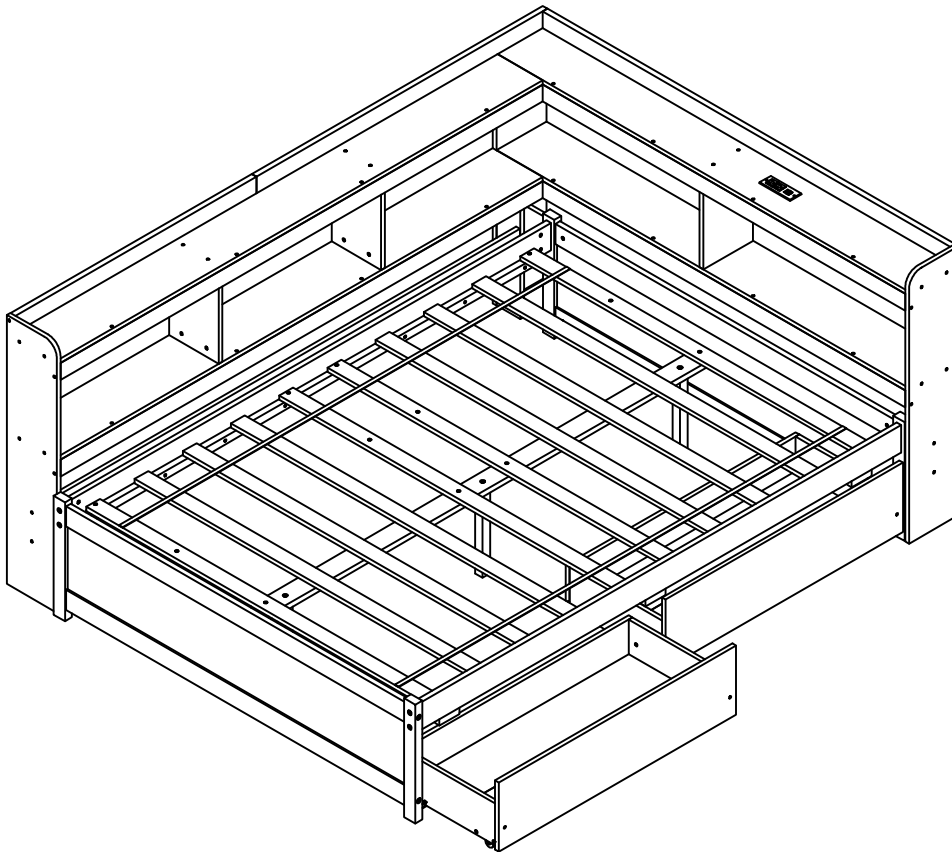
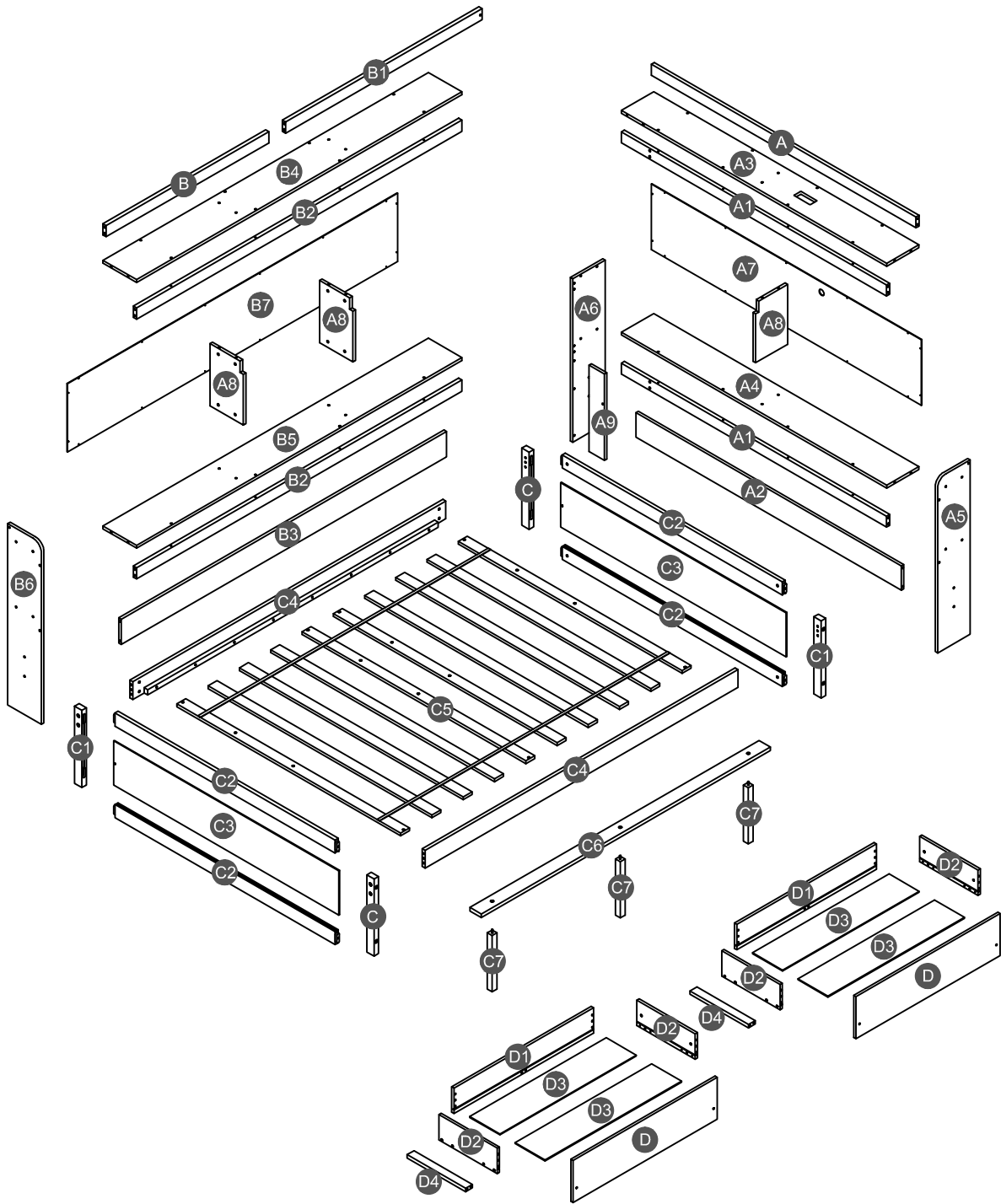


ASSEMBLY INSTRUCTIONS

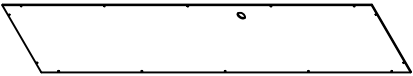
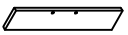
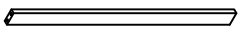
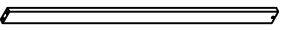


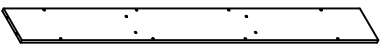
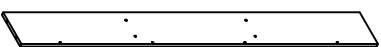
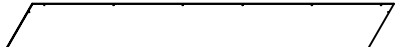
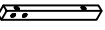


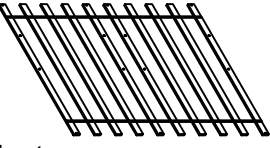

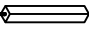
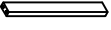
FULL BED WITH L-SHAPED BOOKCASES, DRAWERS, AND USB PORTS



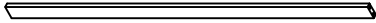
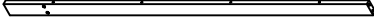

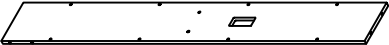
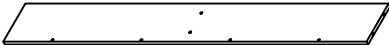
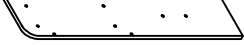
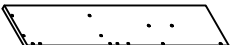
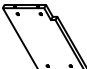
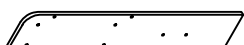
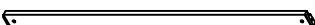
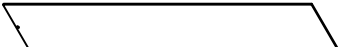


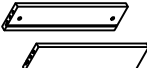
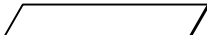
Detail View




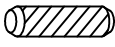
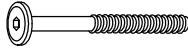
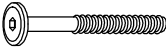





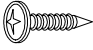
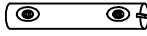
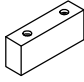
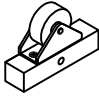
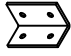
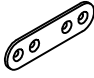
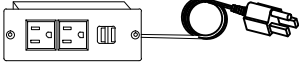

Part list (Box 1 (1-2))

<p>A7</p>  <p>Back panel HB - 1pc</p>	<p>A9</p>  <p>Support HB - 1pc</p>	<p>B</p>  <p>Upper horizontal bar (left) - 1pc</p>
<p>B1</p>  <p>Upper horizontal bar (right) - 1pc</p>	<p>B2</p>  <p>Horizontal bar (front) - 2pcs</p>	<p>B3</p>  <p>Lower horizontal bar - 1pc</p>
<p>B4</p>  <p>Top panel - 1pc</p>	<p>B5</p>  <p>Shelf panel - 1pc</p>	<p>B7</p>  <p>Back panel - 1pc</p>
<p>C</p>  <p>Leg (left front/right back) - 2pcs</p>	<p>C1</p>  <p>Leg (left back/right front) - 2pcs</p>	<p>C4</p>  <p>Side rail - 2pcs</p>
<p>C5</p>  <p>Slats - 1set</p>	<p>C6</p>  <p>Lower support slat - 1pc</p>	<p>C7</p>  <p>Leg support - 3pcs</p>
<p>D4</p>  <p>Support drawer - 2pcs</p>		

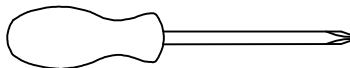
Part list & Hardware list (Box 2 (2-2))

<p>A</p>  <p>Upper horizontal bar HB - 1pc</p>	<p>A1</p>  <p>Horizontal bar HB (front) - 2pcs</p>	<p>A2</p>  <p>Lower horizontal bar HB - 1pc</p>
<p>A3</p>  <p>Top panel HB - 1pc</p>	<p>A4</p>  <p>Shelf panel HB - 1pc</p>	<p>A5</p>  <p>Side panel HB (right) - 1pc</p>
<p>A6</p>  <p>Side panel HB (left) - 1pc</p>	<p>A8</p>  <p>Divider panel - 3pcs</p>	<p>B6</p>  <p>Side panel (left) - 1pc</p>
<p>C2</p>  <p>Horizontal bar HB/FB - 4pcs</p>	<p>C3</p>  <p>Side panel HB/FB - 2pcs</p>	<p>D</p>  <p>Front drawer panel - 2pcs</p>
<p>D1</p>  <p>Back drawer panel - 2pcs</p>	<p>D2</p>  <p>Left / right drawer panel - 4pcs</p>	<p>D3</p>  <p>Drawer bottom - 4pcs</p>

Hardware List (Box 2 (2-2))



1  Ø10*20mm Wood dowel (8pcs)	2  Ø8*30mm Wood dowel (43pcs)	3  (Ø15)1/4"*80mm Hex-Head bolts (16pcs)
4  (Ø12)1/4"*60mm Hex-Head bolts (53pcs)	5  (Ø12)1/4"*15mm Hex-Head bolts (2pcs)	6  1/4"*15 (9.5mm) Horizontal-Hole bolts(69pcs)
7  (Ø12)1/4"*40mm Hex-Head bolts (25pcs)	8  Ø4*30mm Wood screws (34pcs)	9  Ø3.5*15mm Wood screws (18pcs)
10  Ø3.5*15mm Wood screws (30pcs)	11  (Ø10)1/4*76mm Connecting bar (1pc)	12  80*40*19 mm Drawer stopper (3pcs)
13  100*52*20 mm Wheels (8pcs)	14  40*17*17*1.6mm Metal bracket (2pcs)	15  75*20*2 mm Metal bracket (2pcs)
16  1500*43*47*125mm Furniture power distribution units(1PC)	17  (1/4")4.5*58mm Allen key (1pc)	

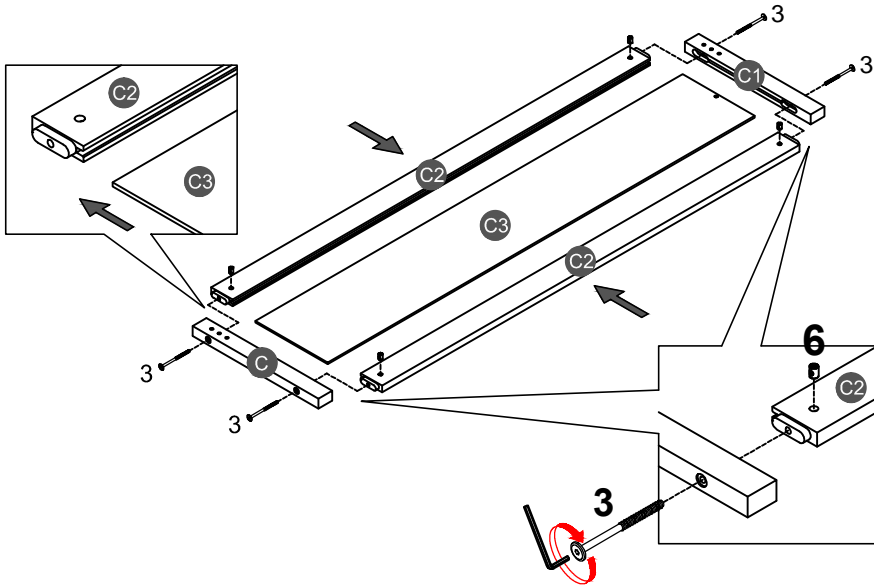
ASSEMBLY TOOLS REQUIRED (NOT INCLUDED)



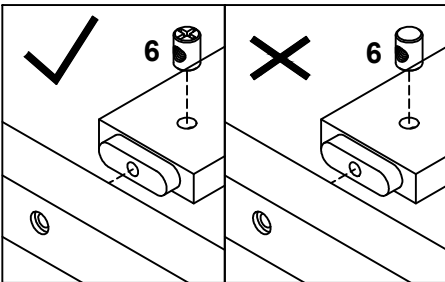
PLEASE BE CAREFUL DO NOT DAMAGE THE HOLE POSITION WHEN YOU USE POWER TOOLS !

STEP 1:

3		6	
8PCS		8PCS	




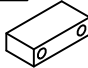
2pcs

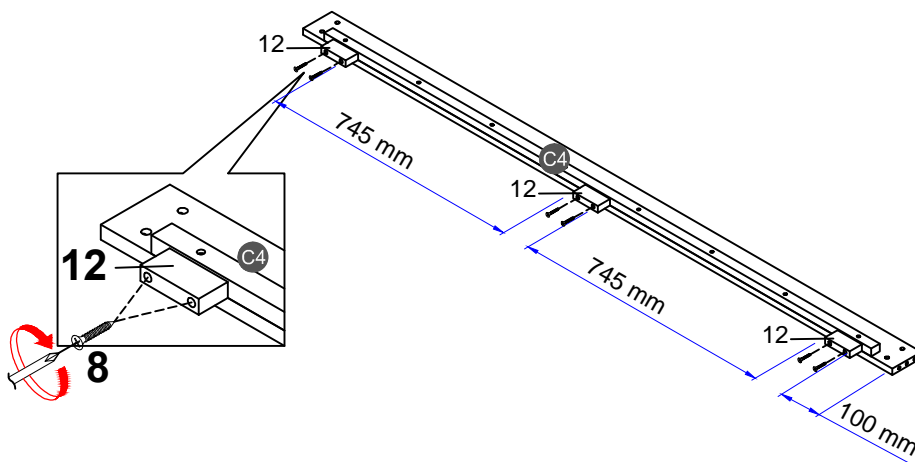


Note: Part 6 will face up with the "x" mark on it, otherwise it cannot be tightened

Remarque: La pièce 6 sera face vers le haut avec la marque "x", sinon elle ne peut pas être serrée.

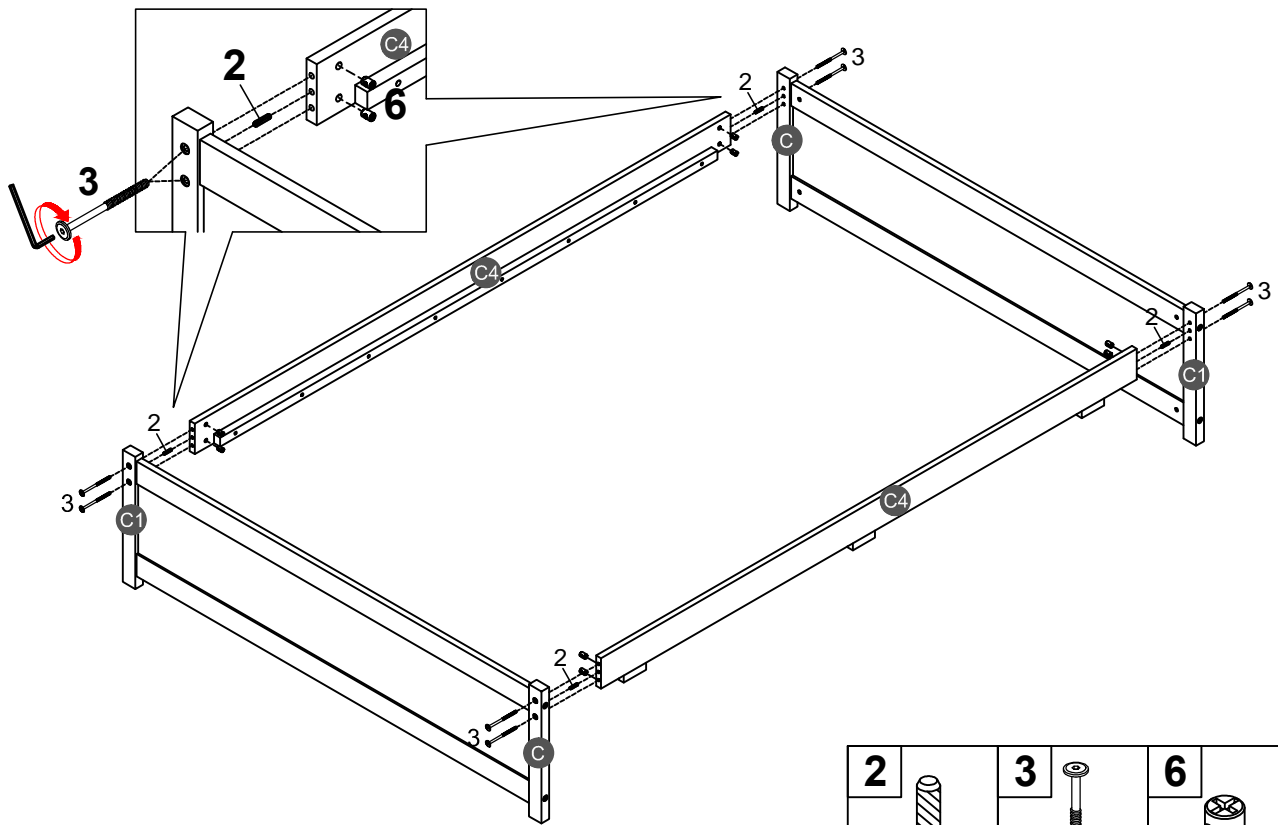
STEP 2:




8		12	
6PCS		3PCS	



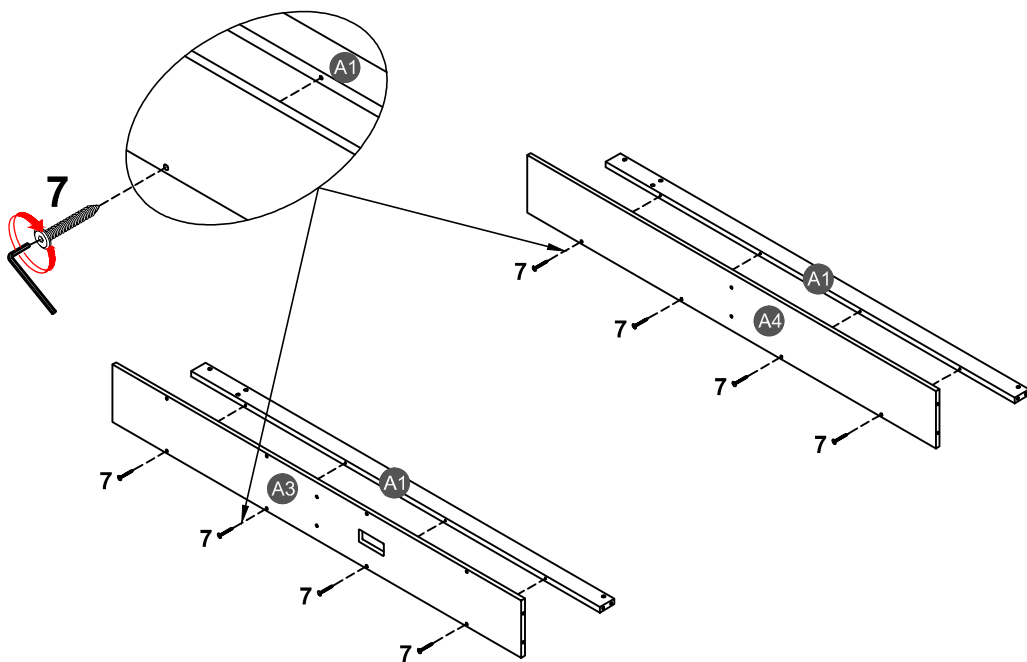
Drawer stopper (12) with lower side rail front (C4) by using screw (8).


STEP 3:



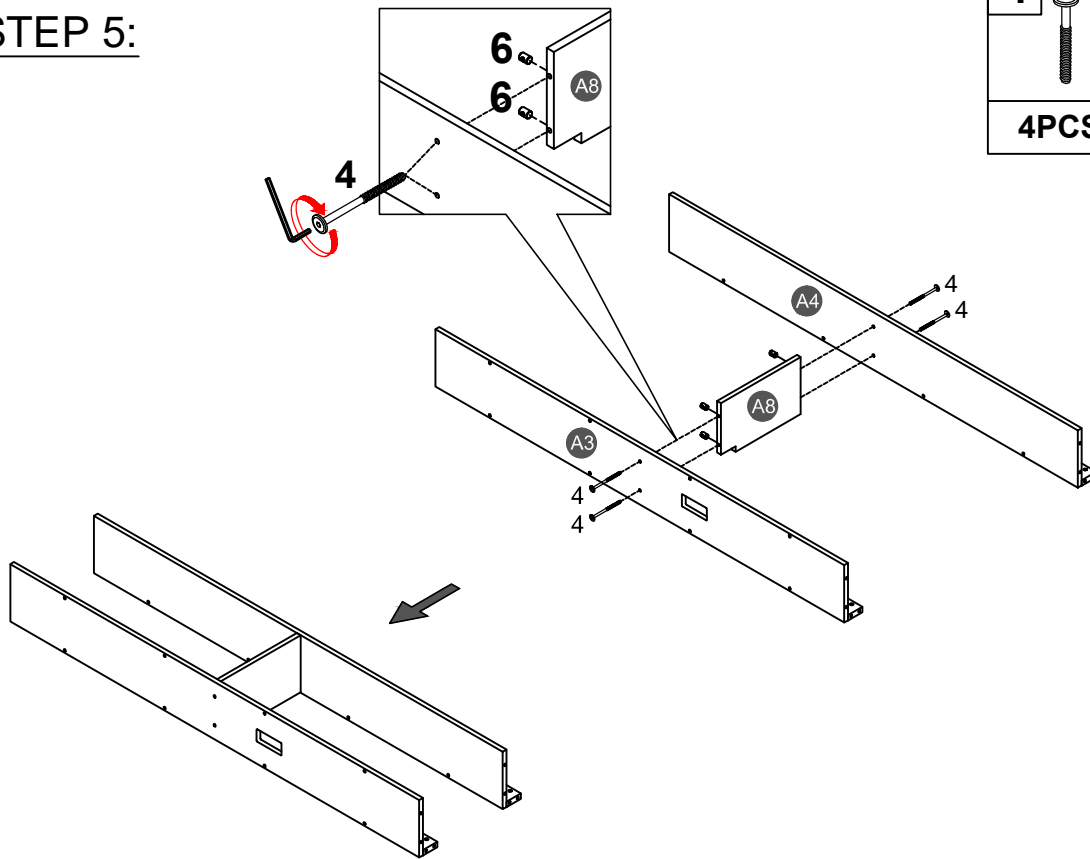
2		3		6	
4PCS		8PCS		8PCS	



STEP 4:



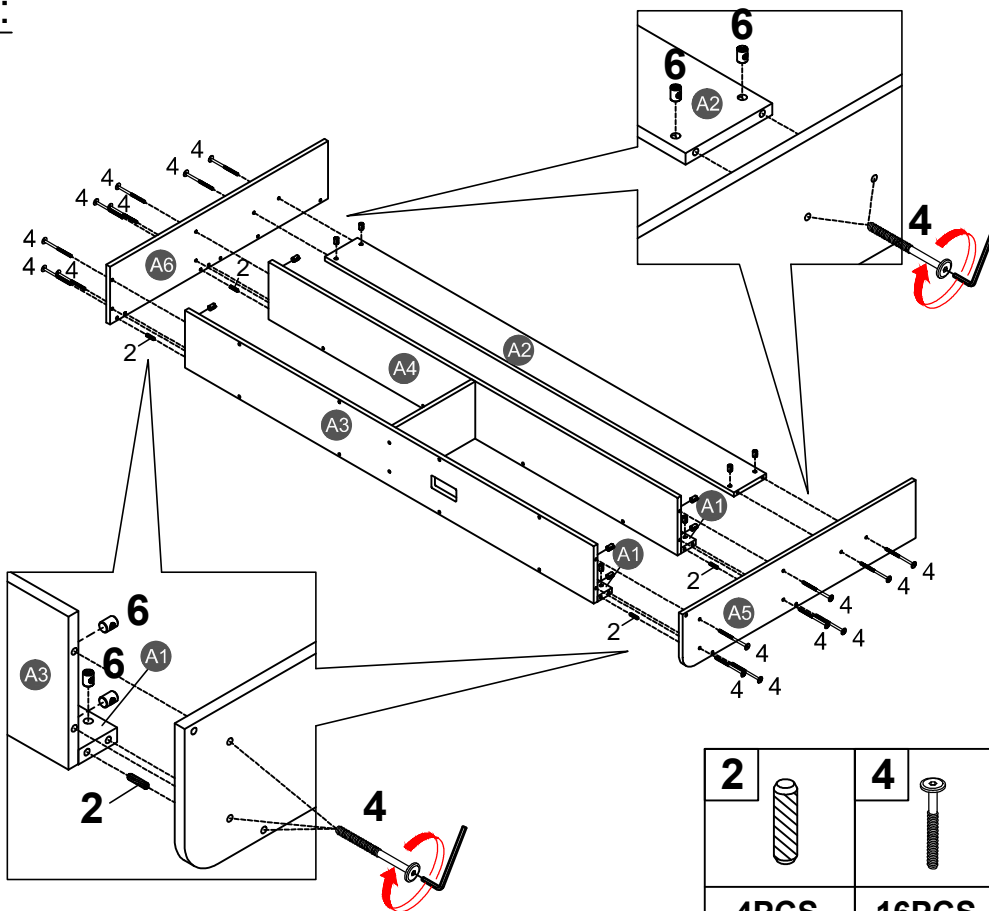
7	
8PCS	




STEP 5:





4		6	
4PCS		4PCS	

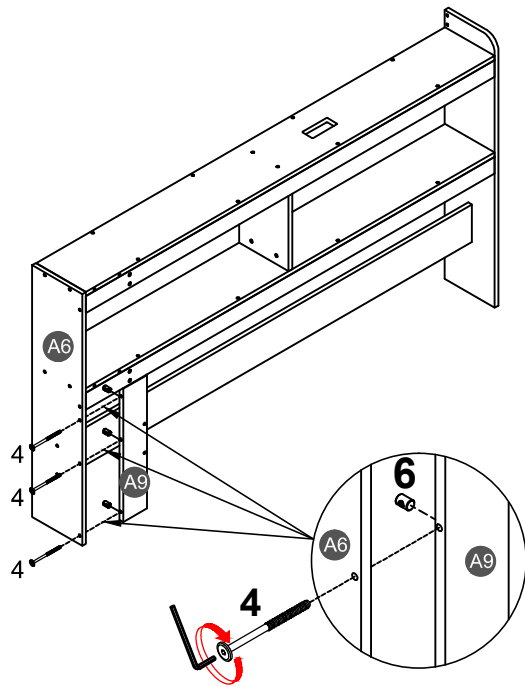
STEP 6:







2		4		6	
4PCS		16PCS		16PCS	

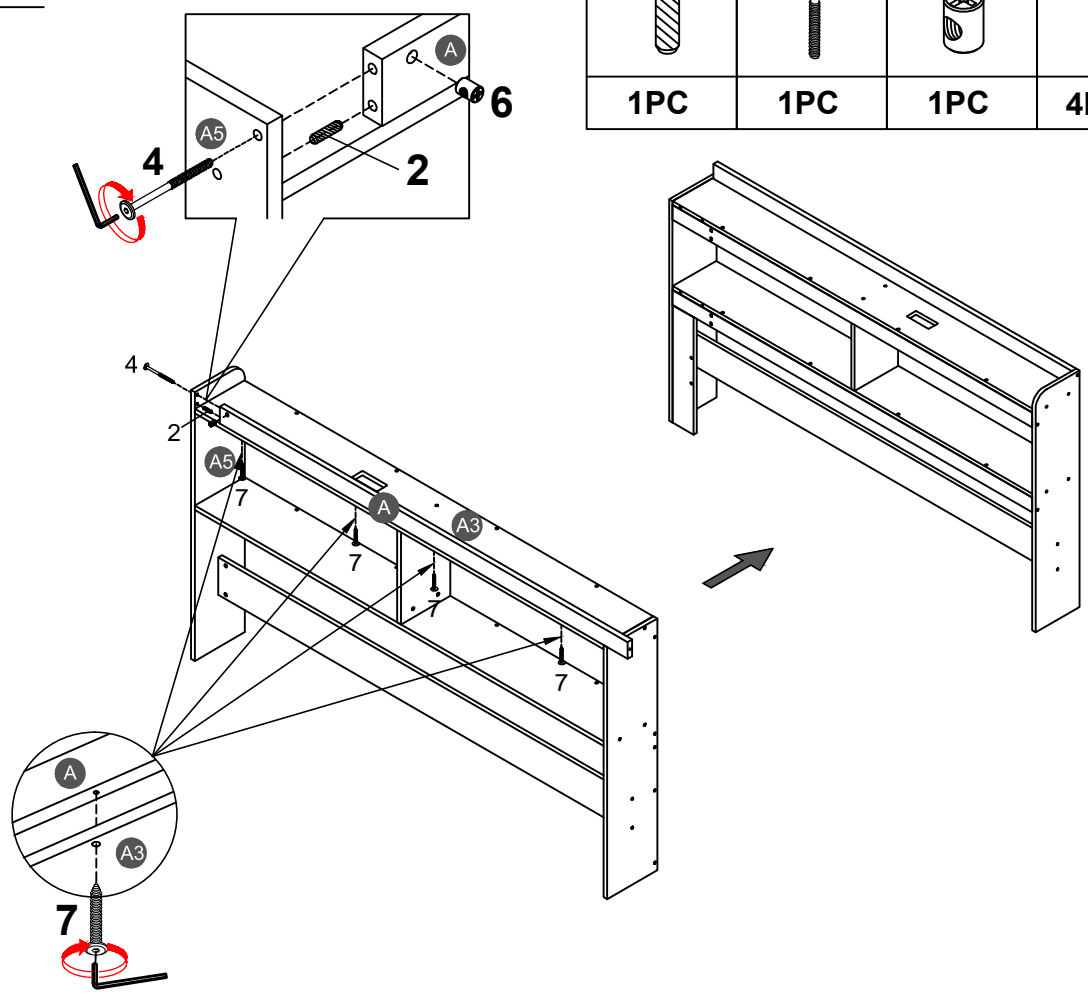
STEP 7:

4		6	
3PCS		3PCS	





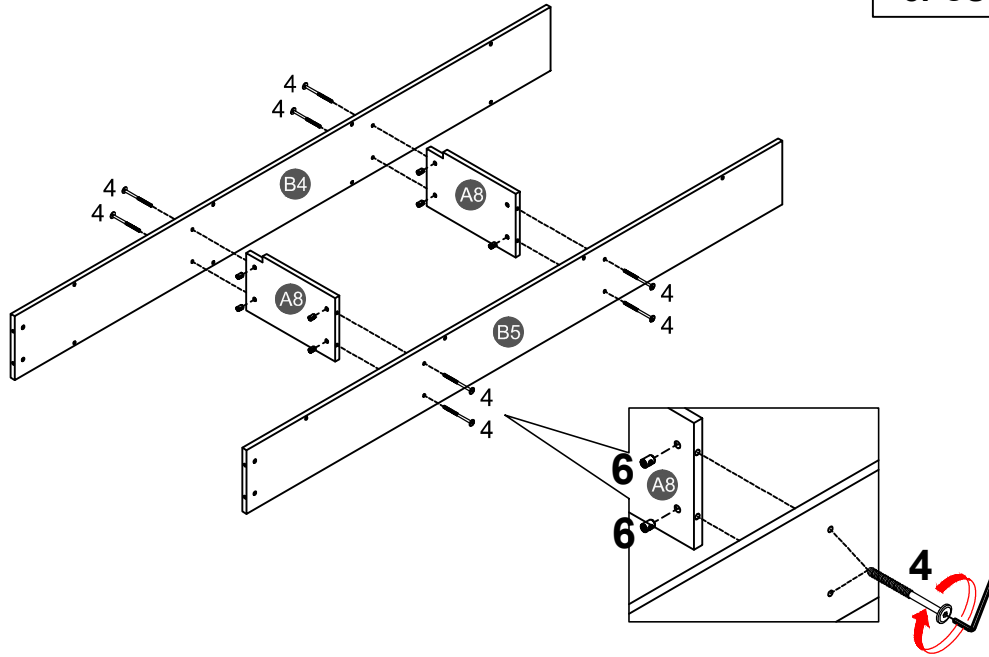
STEP 8:

2		4		6		7	
1PC		1PC		1PC		4PCS	




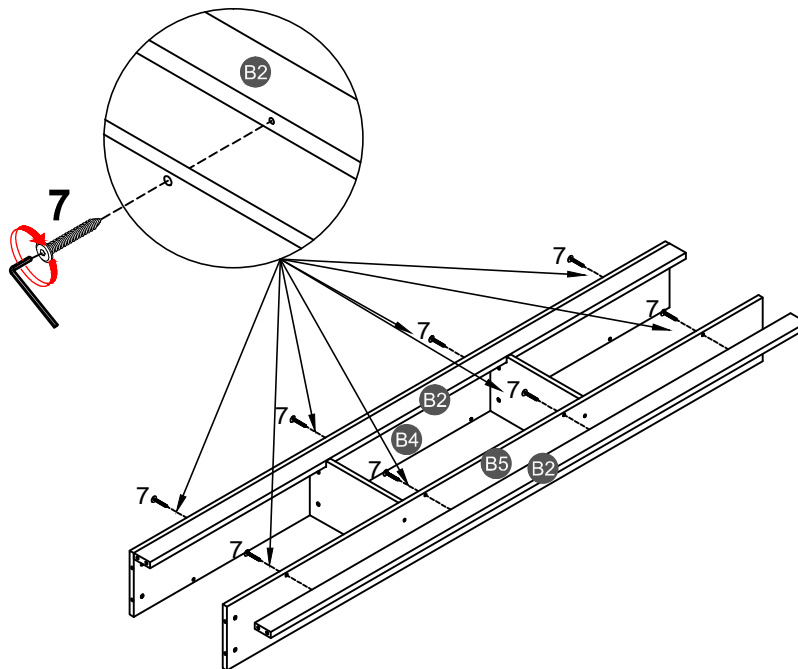
STEP 9:

4		6	
8PCS		8PCS	

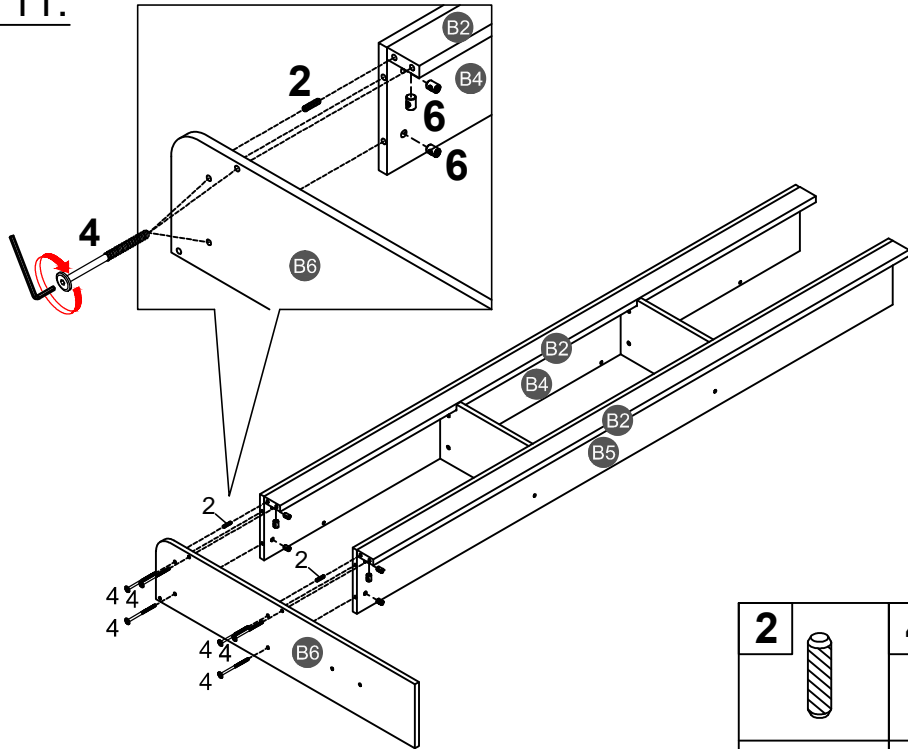





STEP 10:

7	
8PCS	

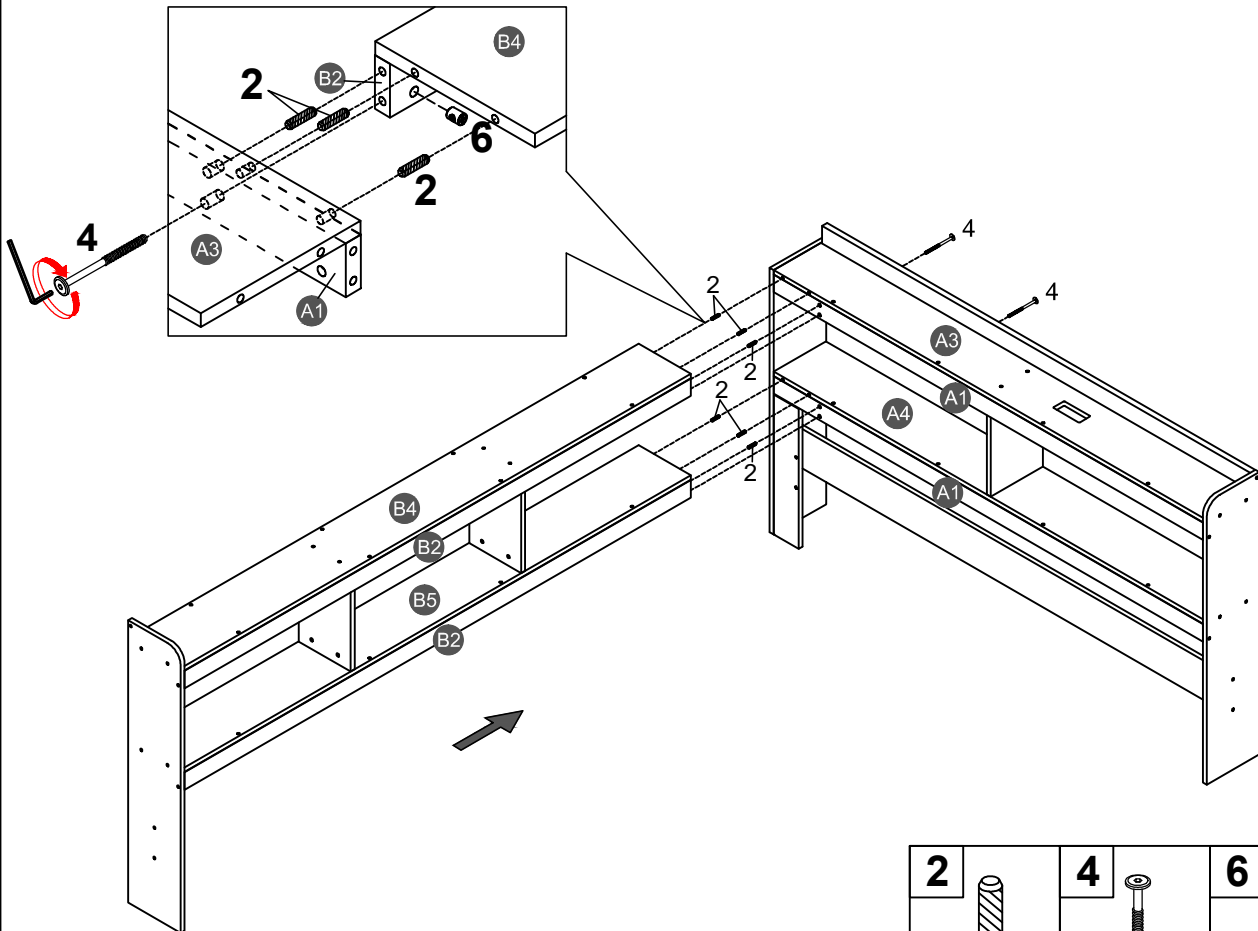





STEP 11:



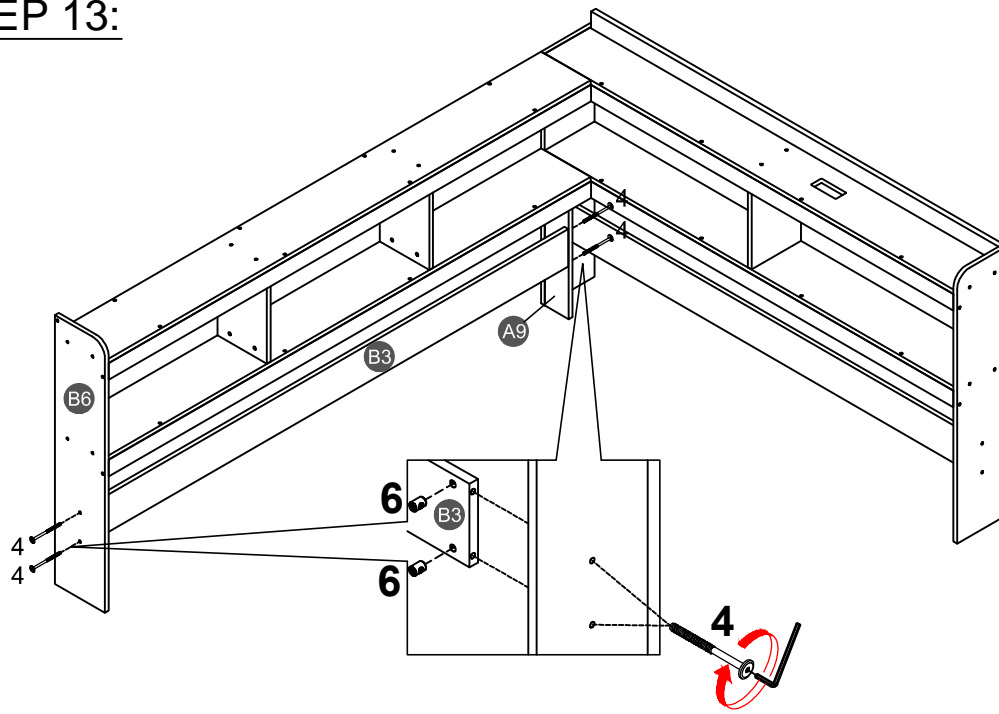
2		4		6	
2PCS		6PCS		6PCS	

STEP 12:



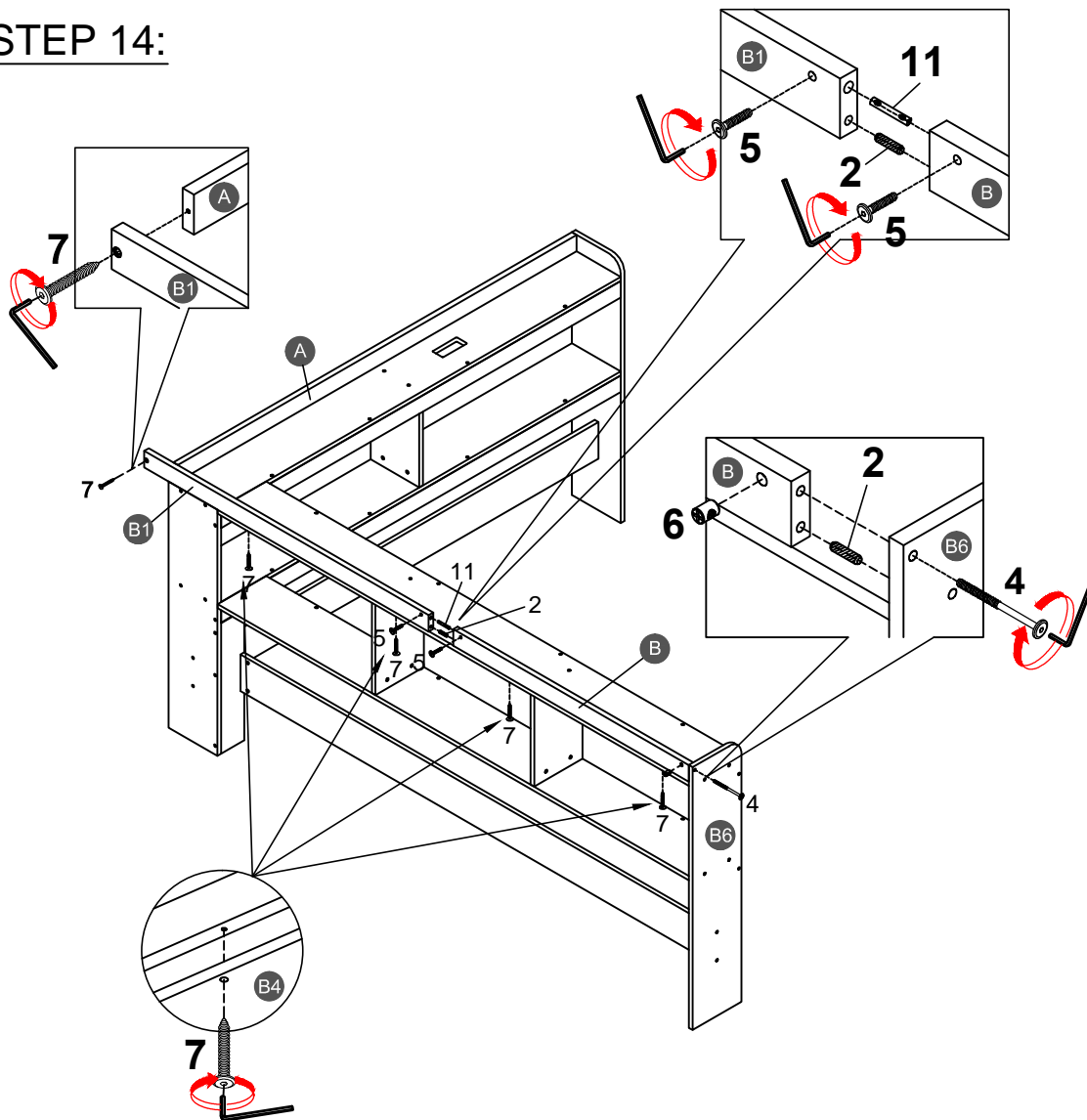
2		4		6	
6PCS		2PCS		2PCS	

STEP 13:






4	
4PCS	
6	
4PCS	

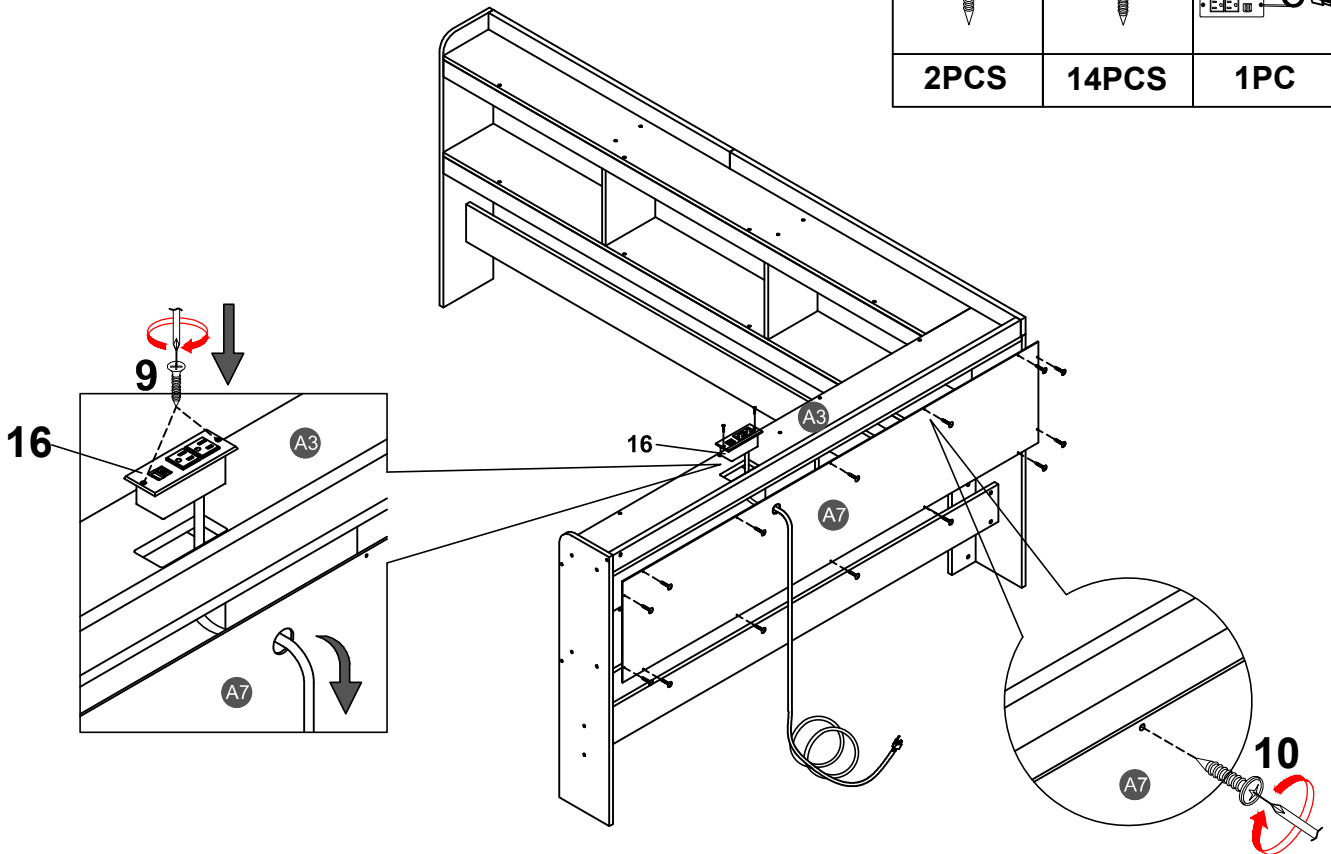
STEP 14:




2	
2PCS	
4	
1PC	
6	
1PC	
5	
2PCS	
7	
5PCS	
11	
1PC	

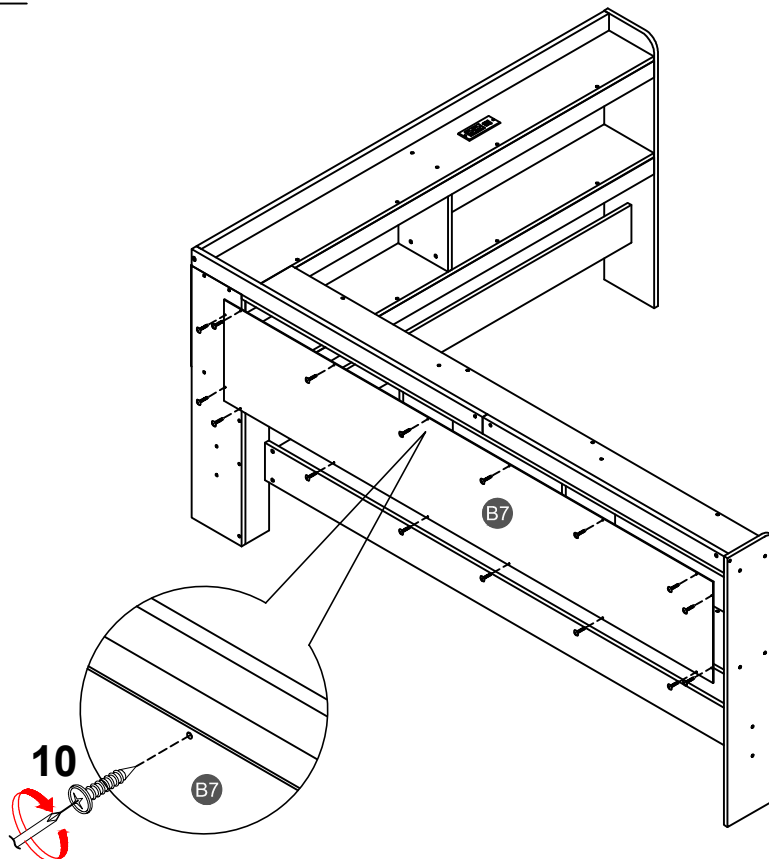
STEP 15:

9 	10 	16 
2PCS	14PCS	1PC

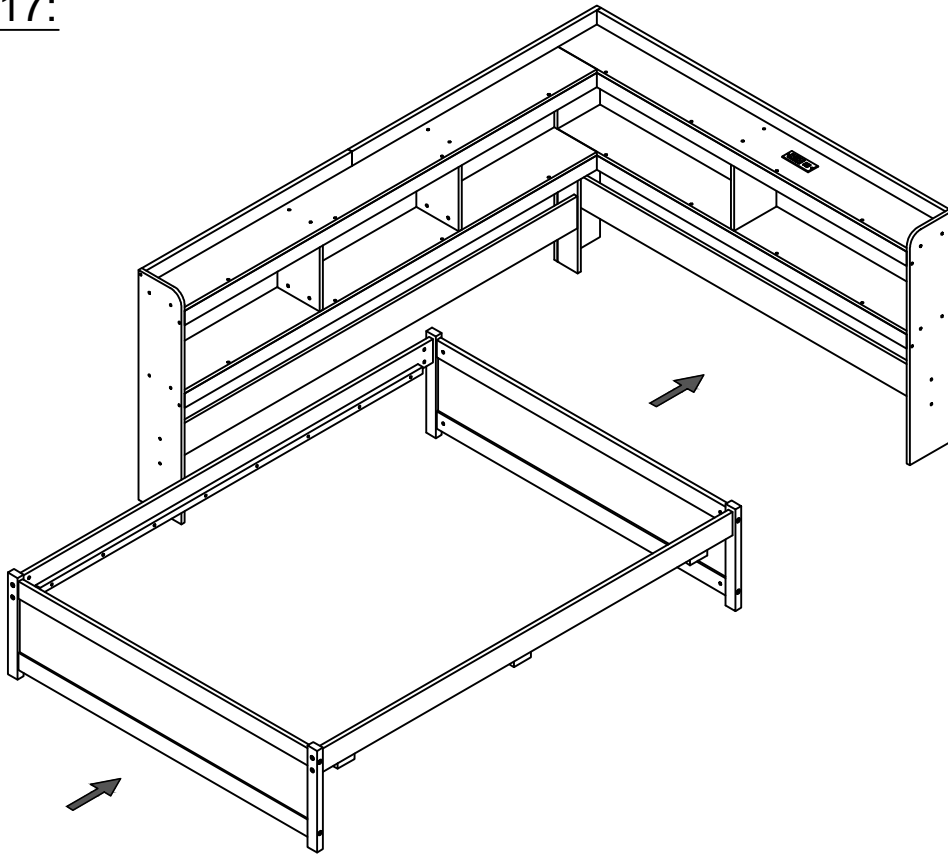


STEP 16:

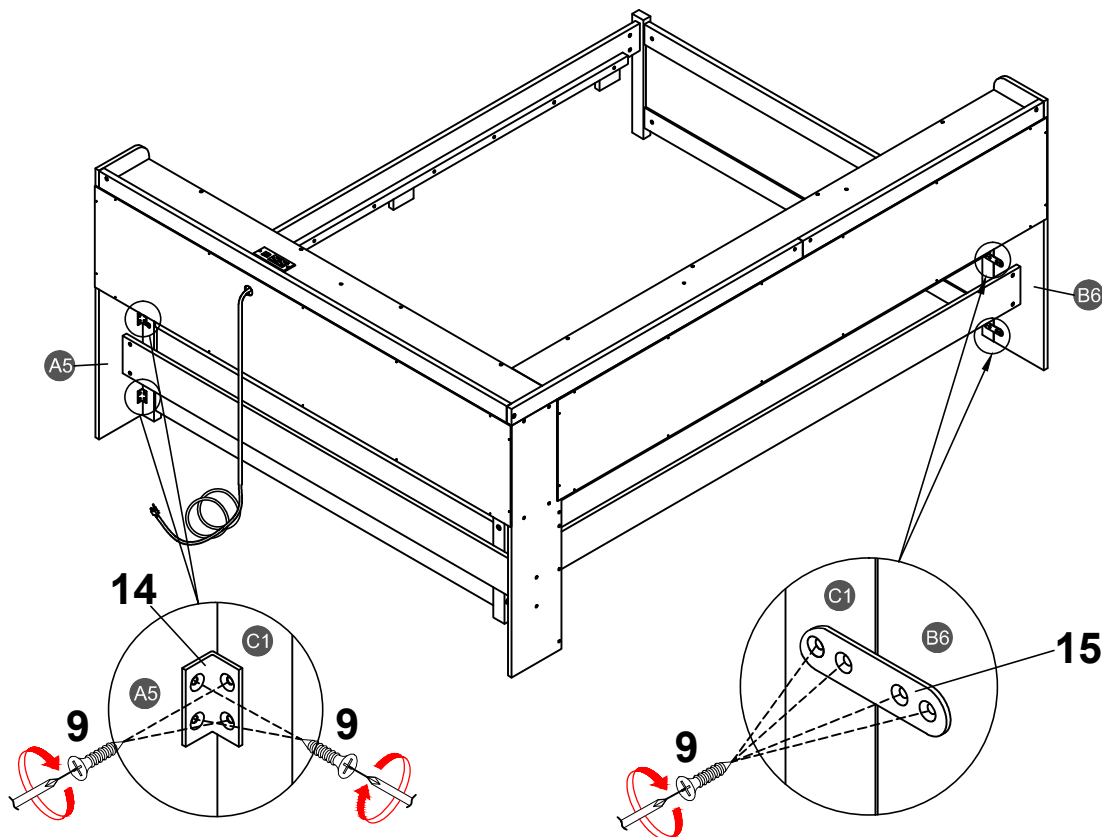
10 
16PCS


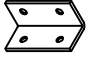
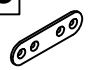


STEP 17:

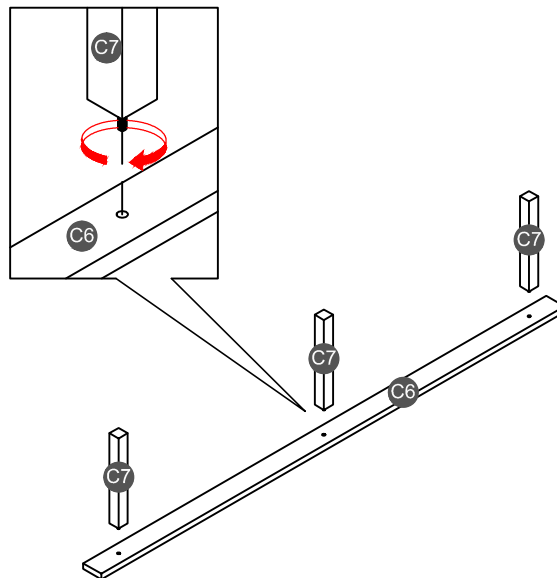


STEP 18:



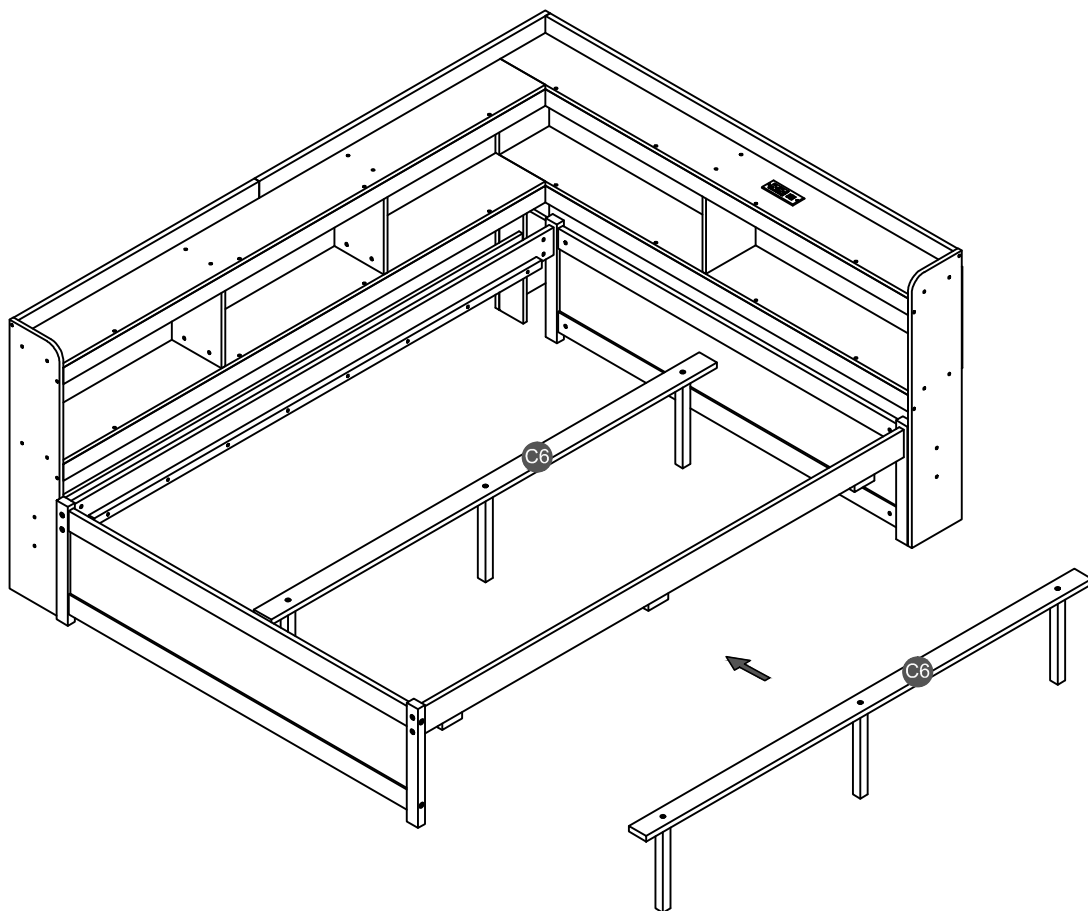
- 9**

- 16PCS**
- 14**

- 2PCS**
- 15**

- 2PCS**

STEP 19:

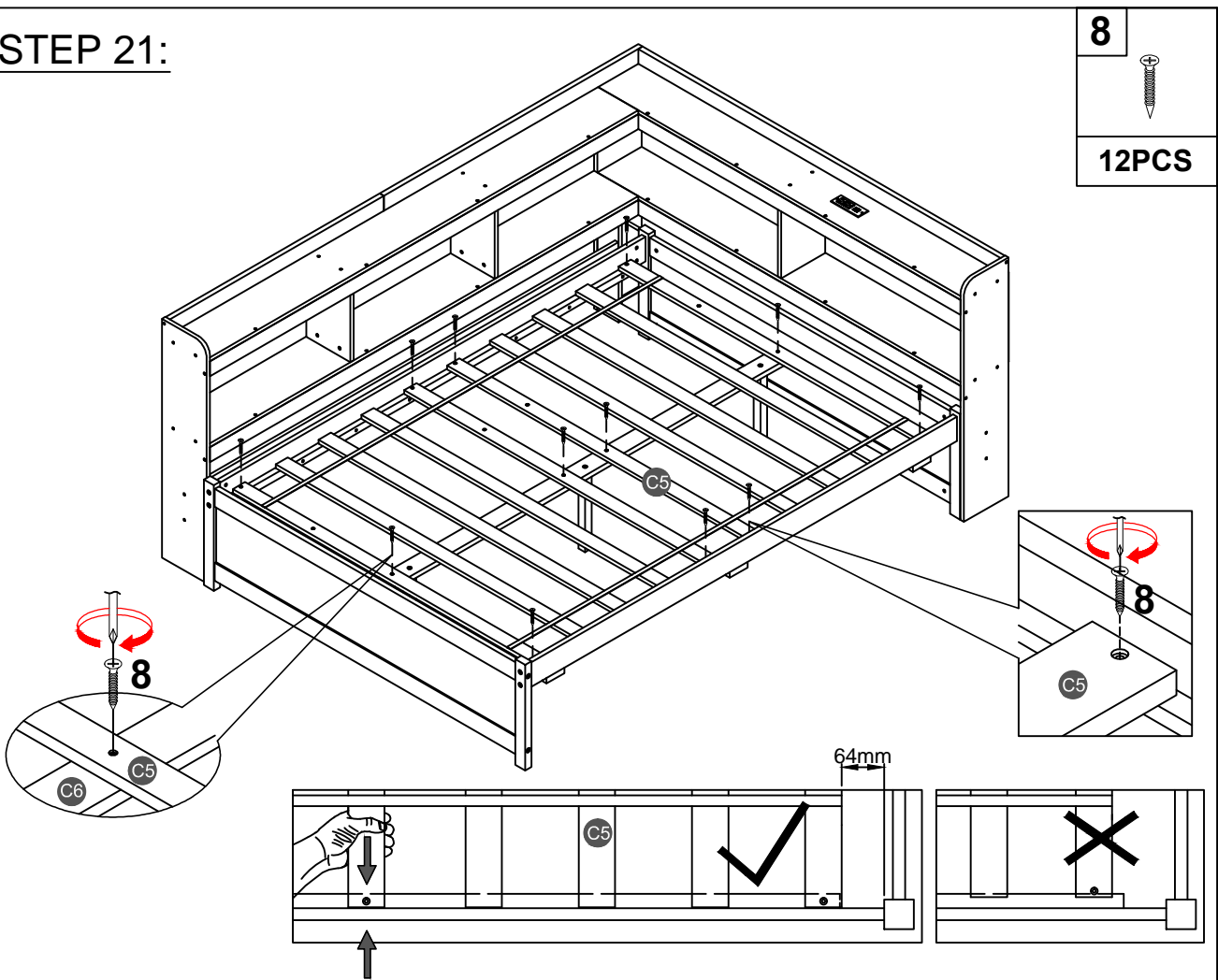


Assembling leg support (C7) with lower support slat (C6) later rotate, Move support slat inside Full bed.

STEP 20:

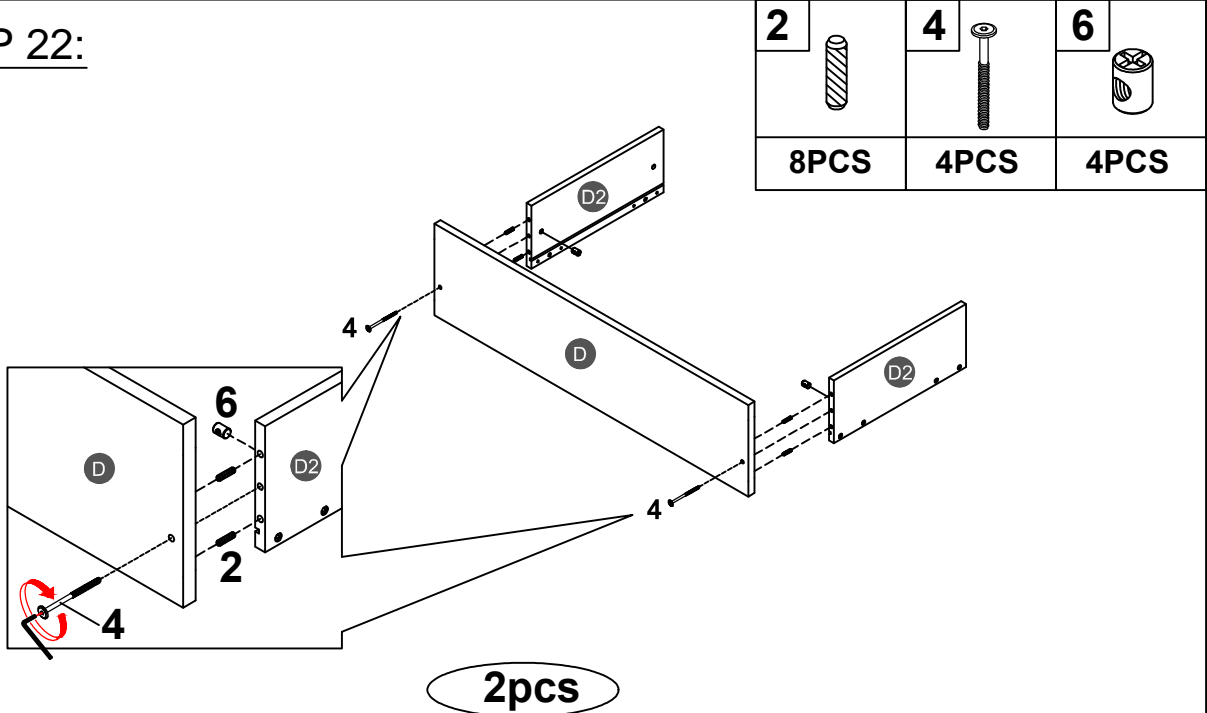


STEP 21:






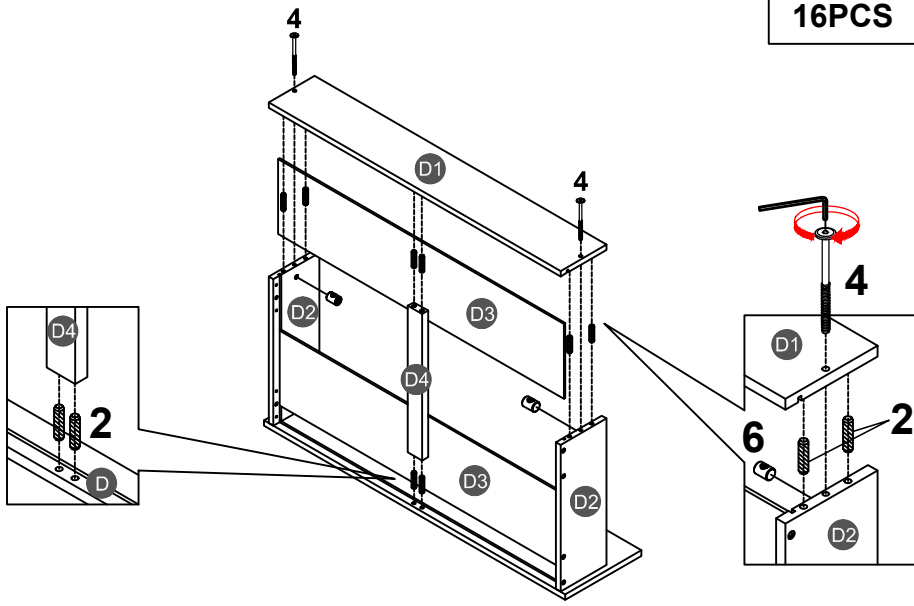
NOTE: Please make sure the bed slats close to the side rail before locking the screws to avoid breakage. This step is required for both the left and right sides. Moreover, please do not lock the screws of the bed slats at the outermost edge to avoid damaging.

STEP 22:





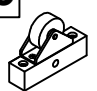
STEP 23:

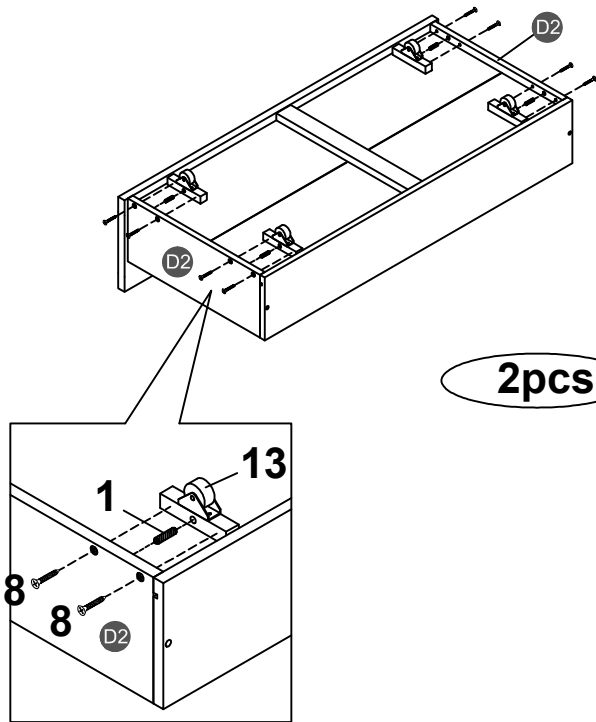
2 	4 	6 
16PCS	4PCS	4PCS



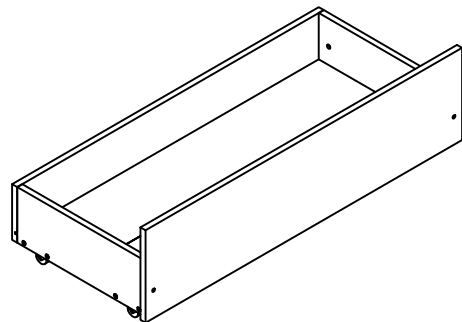
2pcs

STEP 24:

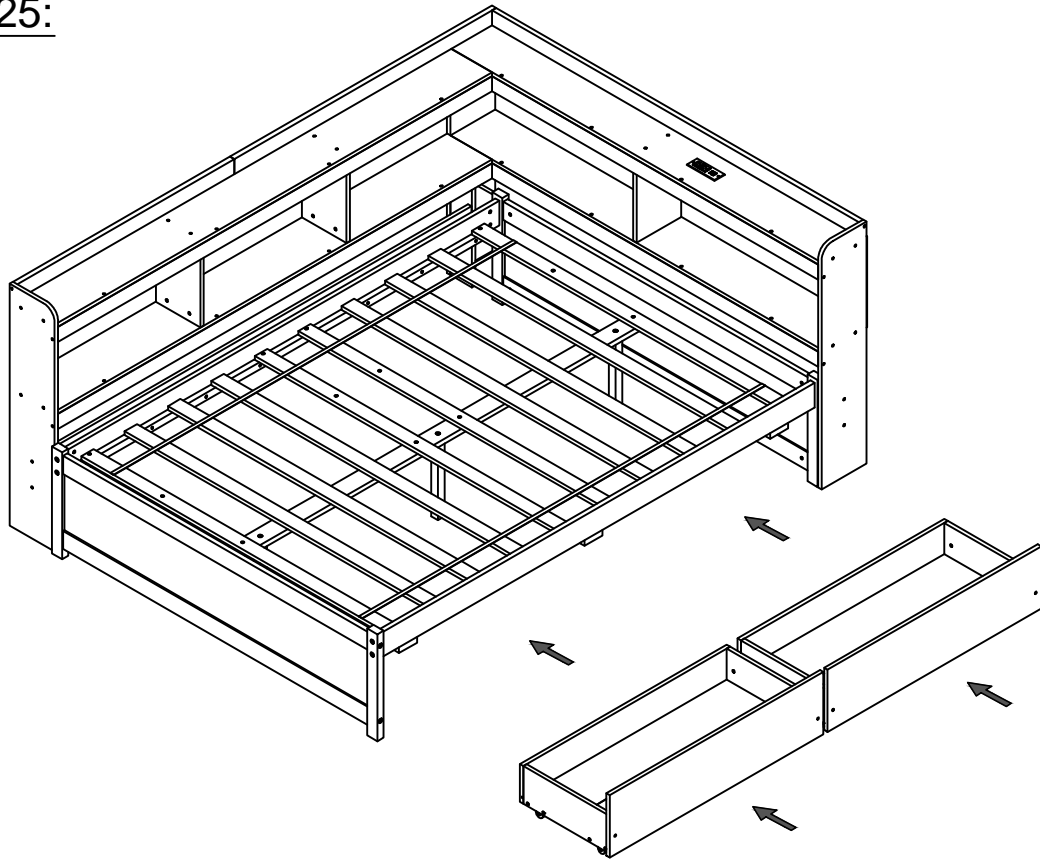
1 	8 	13 
8PCS	16PCS	8PCS



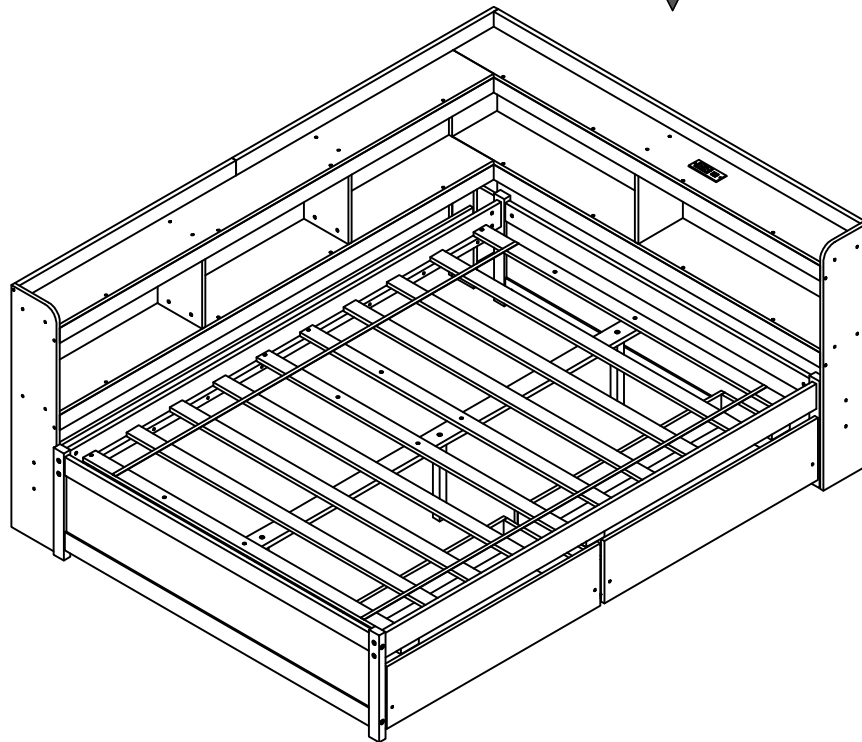
2pcs



STEP 25:



Push Drawers under the bottom of Fullbed.



Make sure to tighten all the screws of the bed.