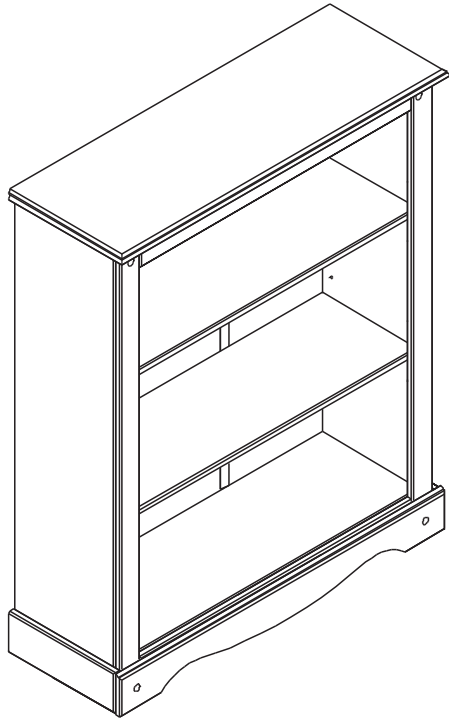
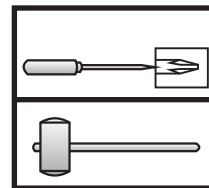
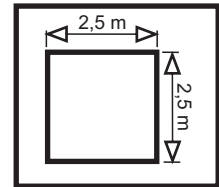


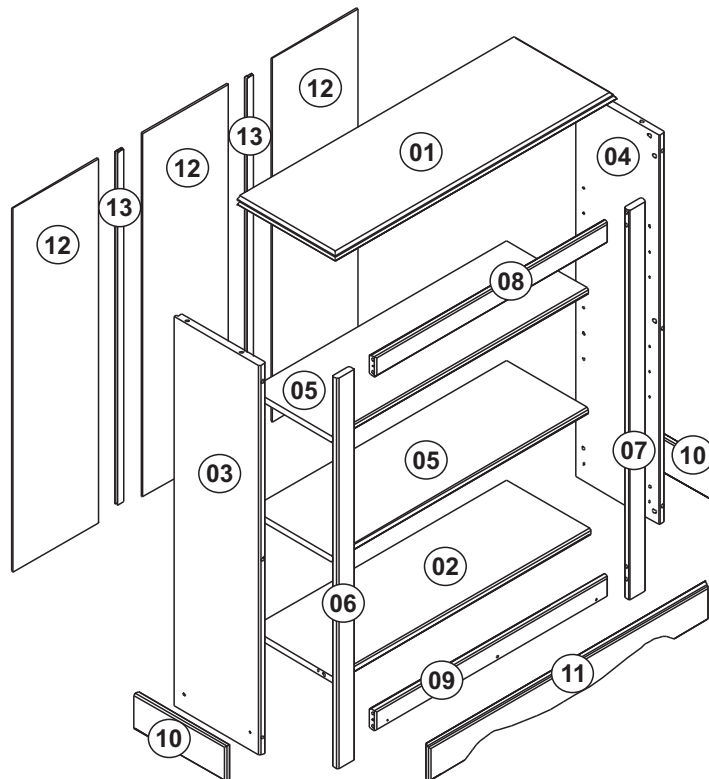
# SMALL BOOKCASE



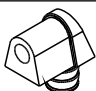


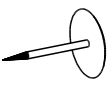




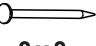
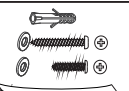


Width = 82cm  
 Depth = 29cm  
 Height = 100cm

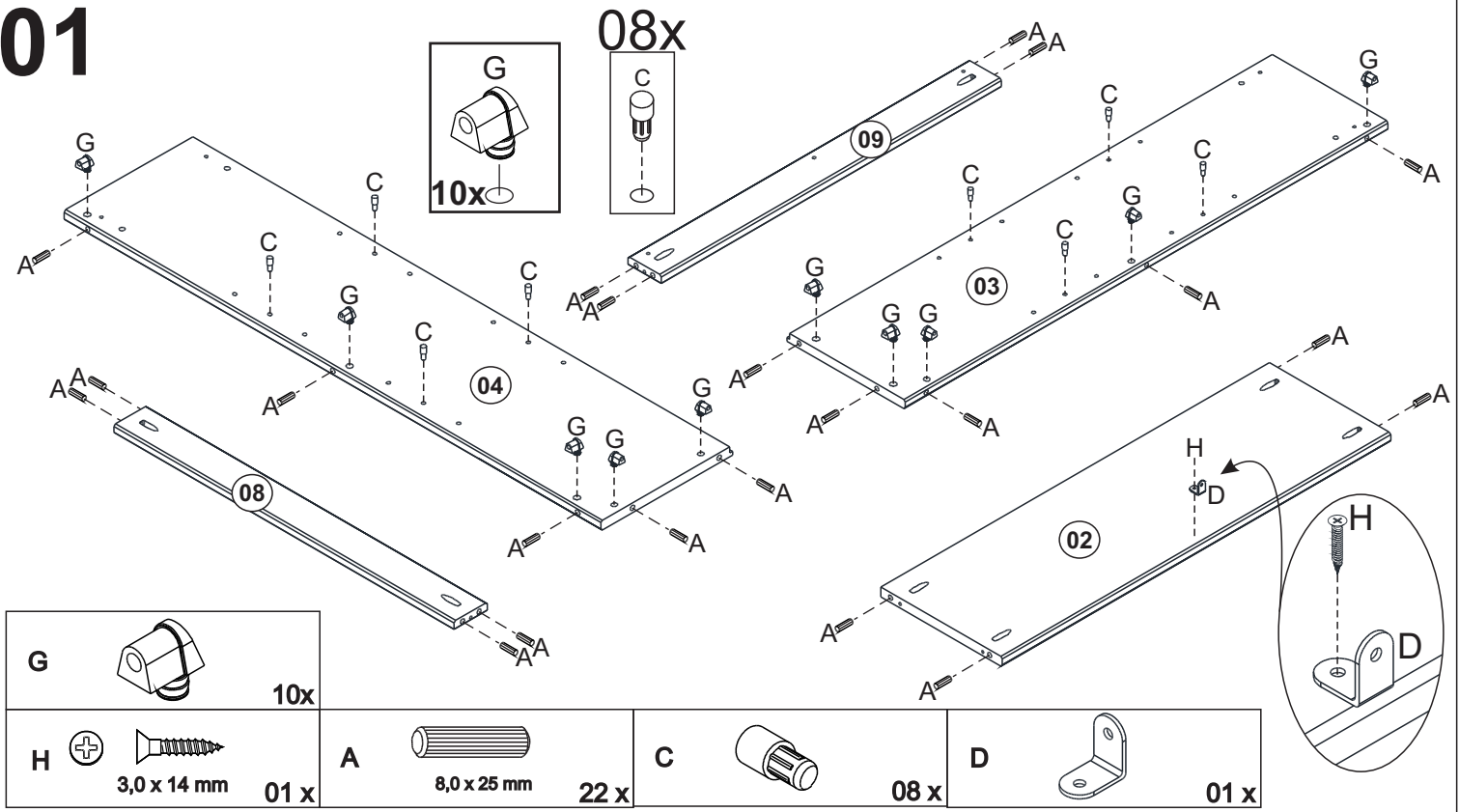


- Please check that all fittings are correct before assembling the item.
- Replacement parts can be supplied for any damages to the item.
- Please keep all packaging until the item is assembled as we will require information from this if replacement parts are required.



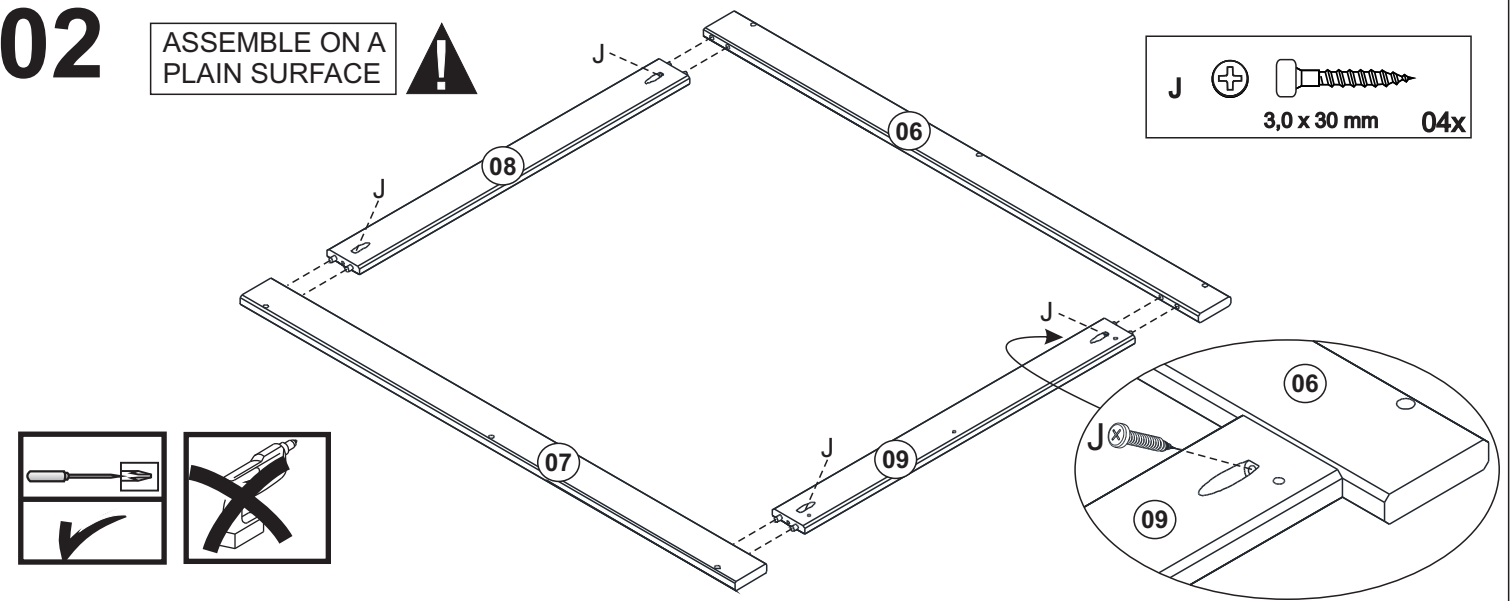
<b>A</b>  8,0 x 25 mm 22 x	<b>D</b>  01 x	<b>G</b>  10x	<b>J</b>  3,0 x 30 mm 04x
<b>B</b>  3,5 x 30 mm 04 x	<b>E</b>  04 x	<b>H</b>  3,0 x 14 mm 02 x	<b>K</b>  4,0 x 30 mm 07 x
<b>C</b>  08 x	<b>F</b>  4,0 x 25 mm 10 x	<b>I</b>  8 x 8 28x	<b>Y</b>  01x

# 01

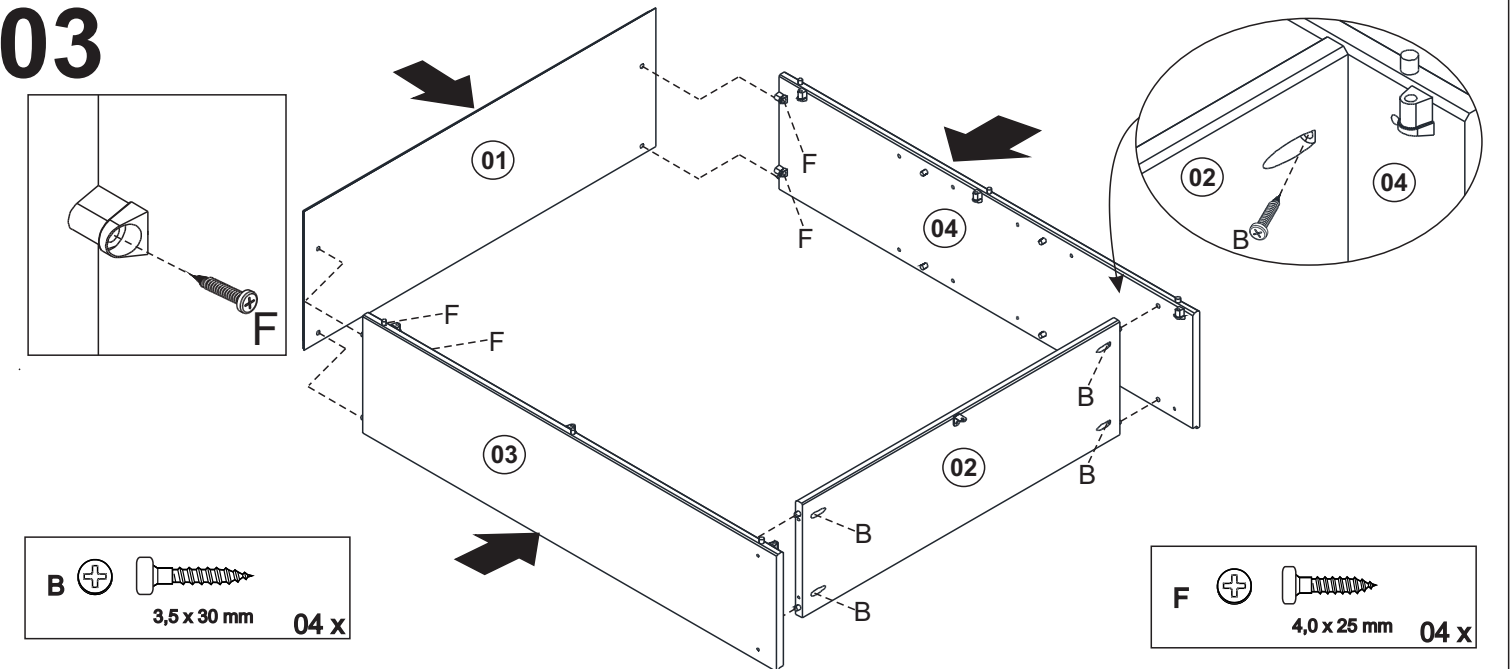


# 02

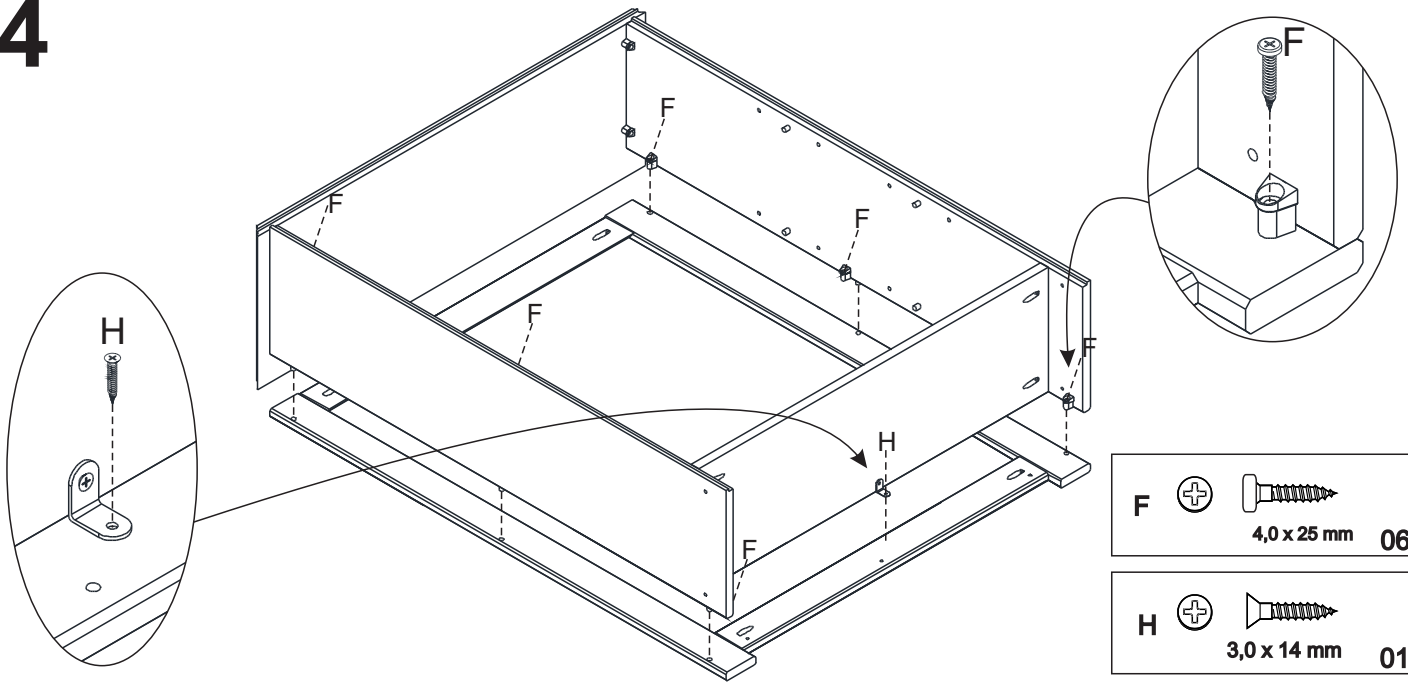
ASSEMBLE ON A PLAIN SURFACE



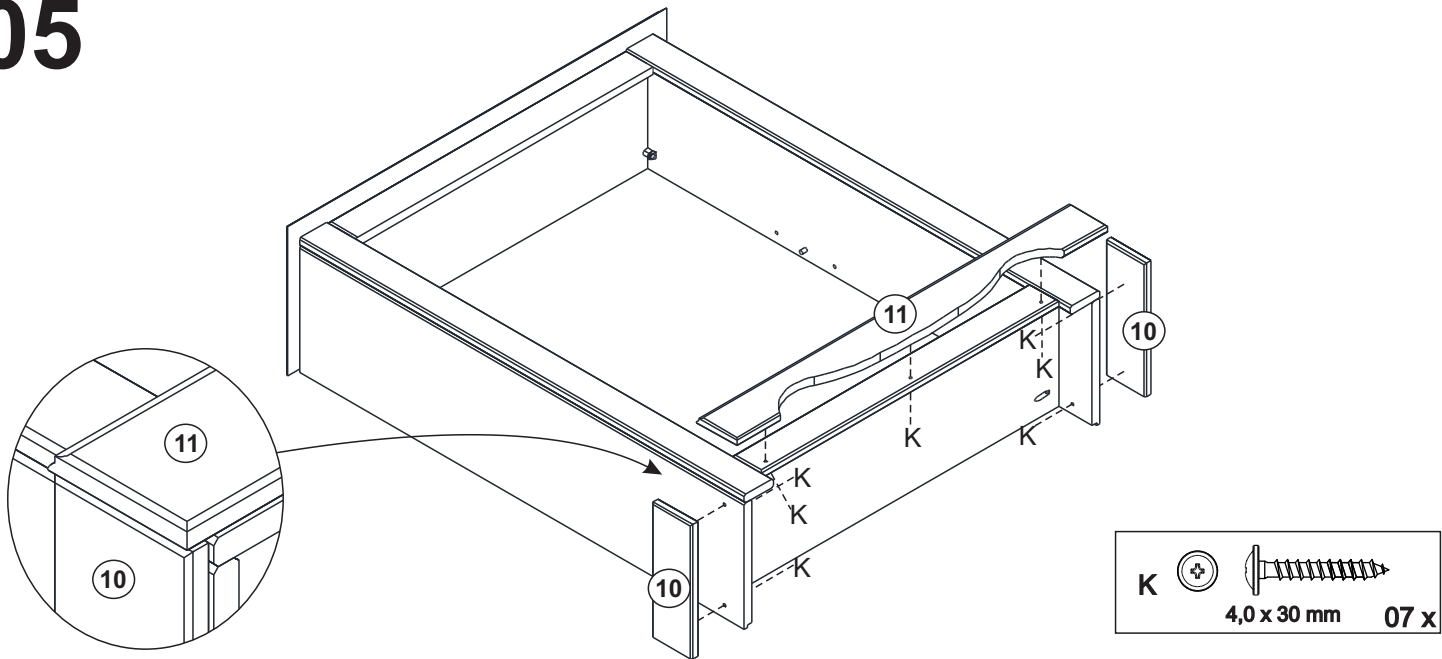
# 03



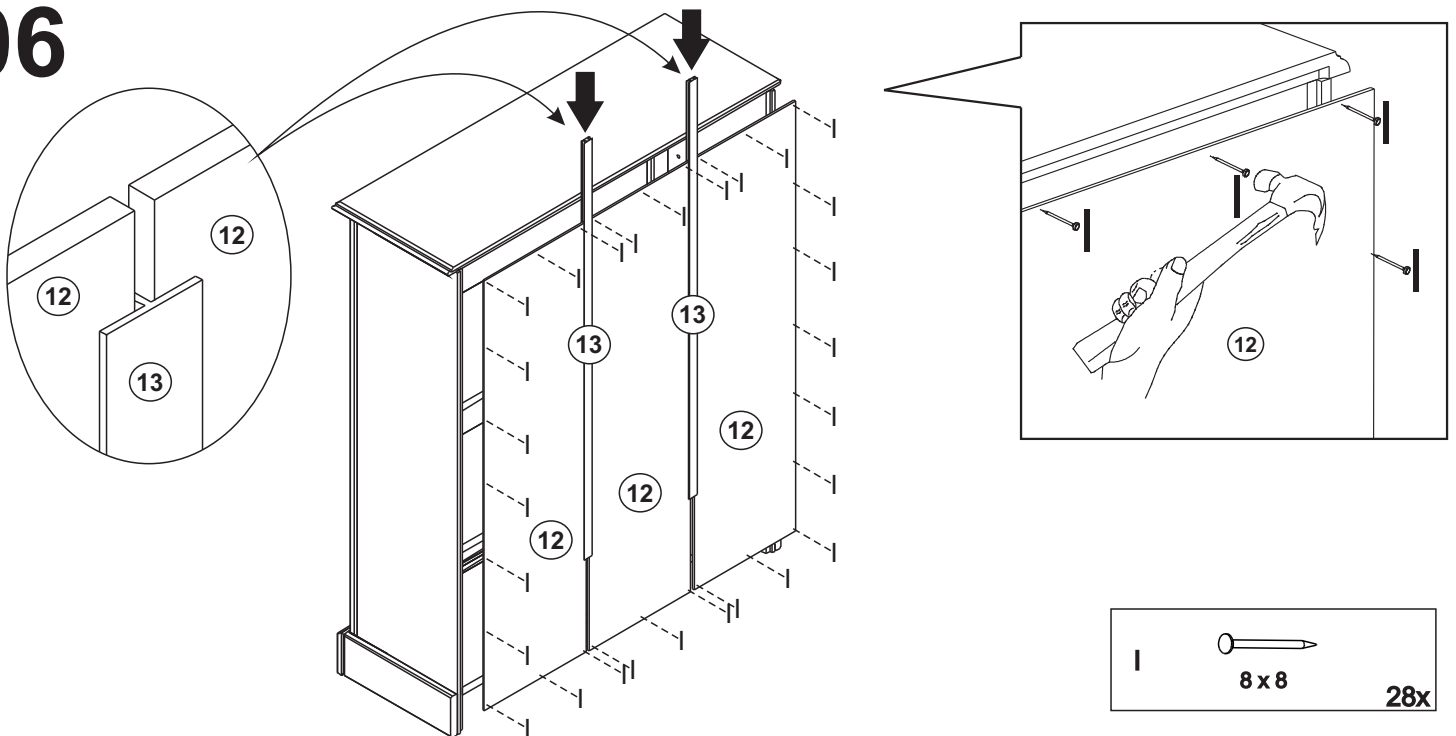
# 04



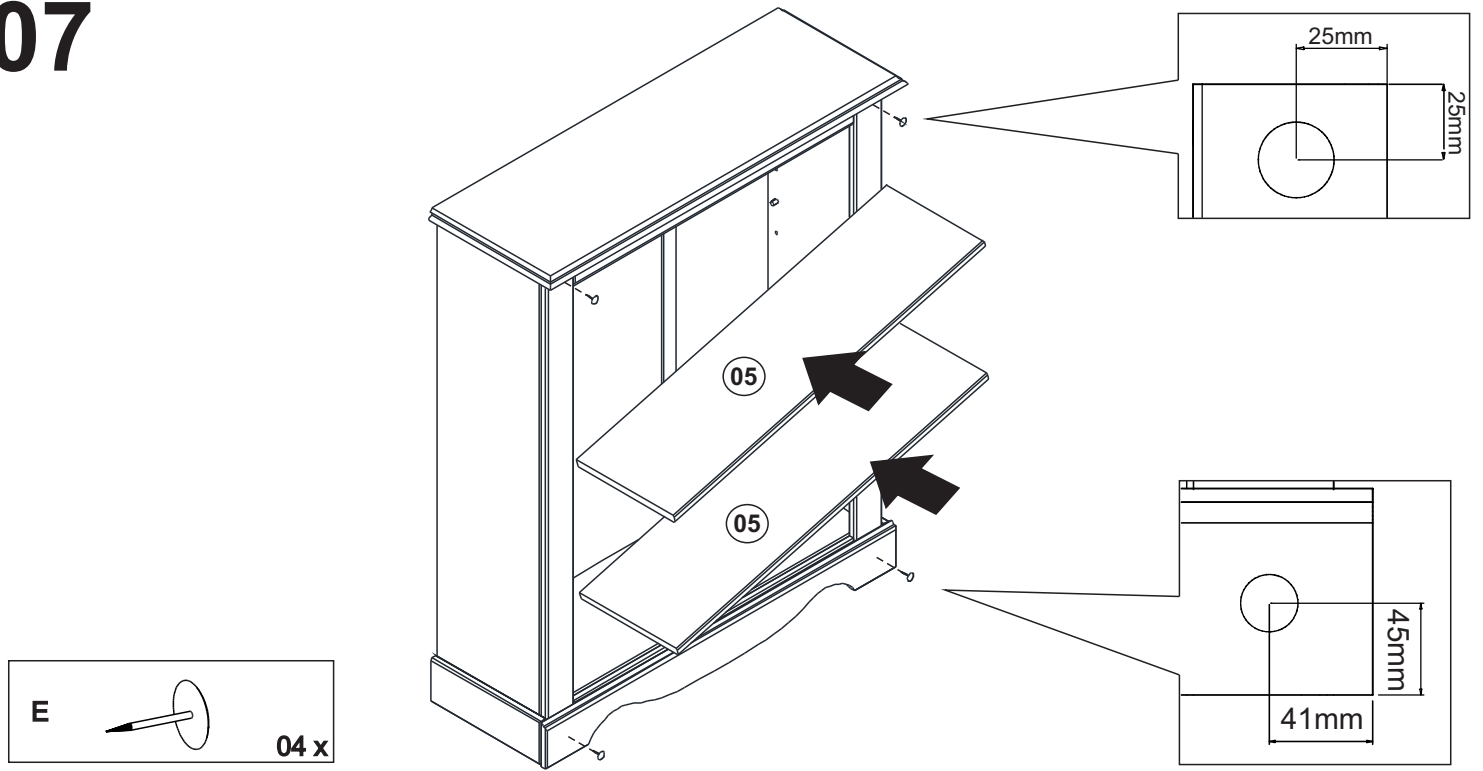
# 05



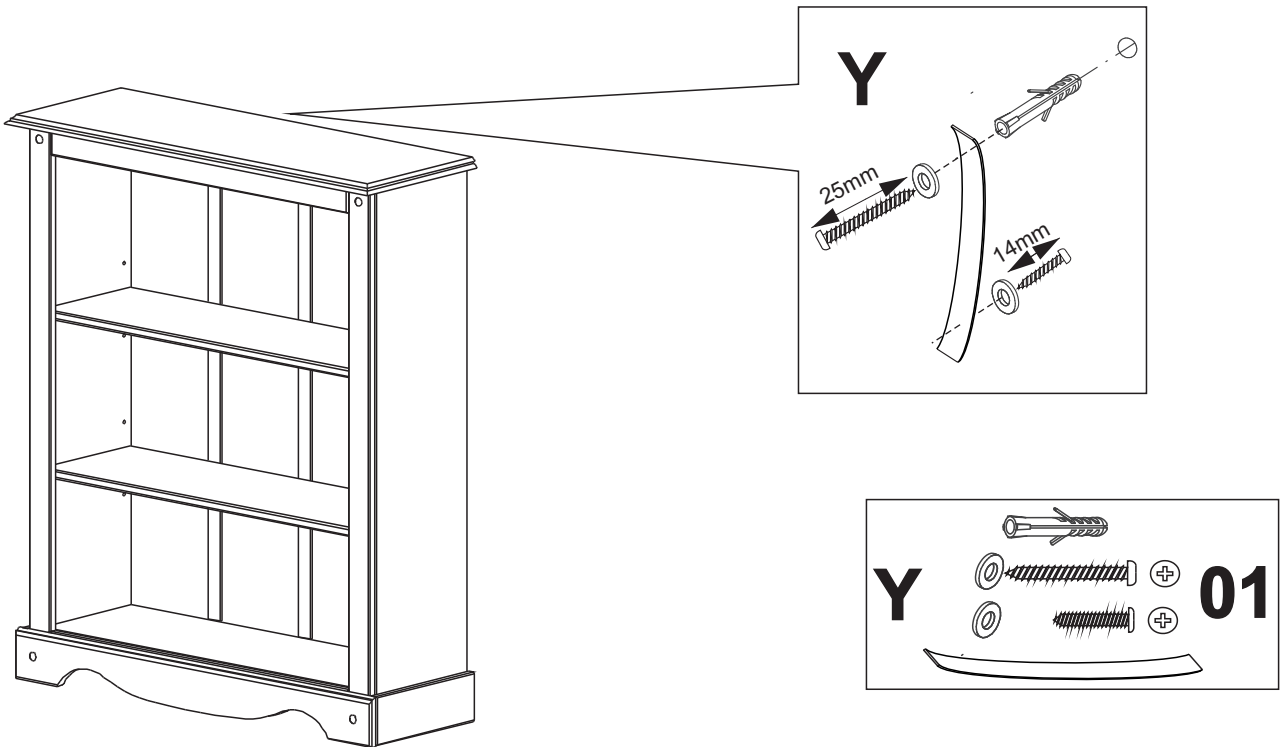
# 06



# 07



# 08



**WARNING: CHECK FOR HIDDEN PIPES AND CABLES BEFORE DRILLING.**

**IMPORTANT: IF YOUR WALLS ARE NOT SOLID LIKE BRICK OR STONE, IT WILL REQUIRE SPECIAL FITTINGS (NOT SUPPLIED).**

- Place the fixing strip against the wall and mark the position for drilling hole.
- Drill a hole in the wall to a depth of 30mm by using a 6mm drill bit. If the surface of your wall is soft and crumbly, we would advise you to use a 5mm drill bit for a tighter fit.
- Insert the wall plug into the hole with end flush to the wall surface.
- Attach fixing strip to the wall using the 25mm screw + washer and securely tighten.
- Pre-drill small pilot hole on the back edge of the furniture top using a 2mm drill bit. Attach the other end fixing strip to the back edge of the furniture top using the 14mm screw + washer and securely tighten.